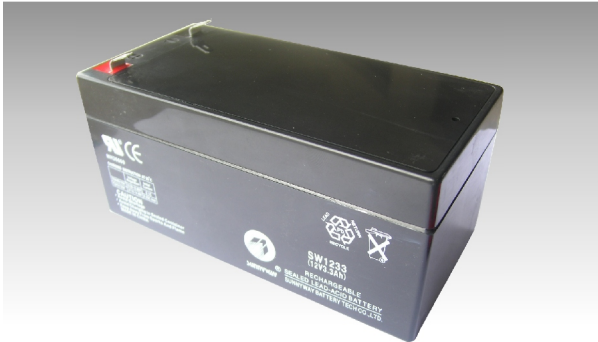




SW1233(12V 3.3 AH)



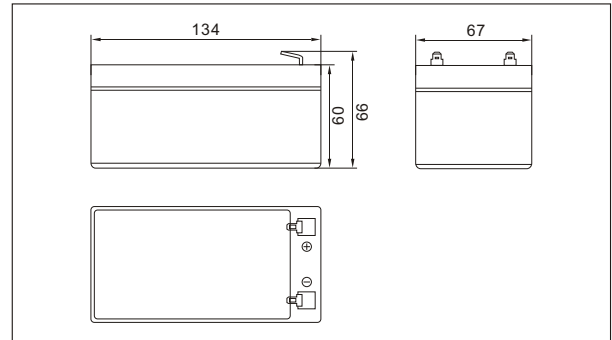
Specifications

| | | |
|-------------------------------|--------------|----------------------|
| Nominal Voltage | | 12V |
| Rated capacity (20 hour rate) | | 3.3 Ah |
| Dimensions | Total Height | 66 mm (2.60 inches) |
| | Height | 60 mm (2.36 inches) |
| | Length | 134 mm (5.28 inches) |
| | Width | 67 mm (2.64 inches) |
| Weight Approx | | 1.24 Kg (2.73 lbs) |

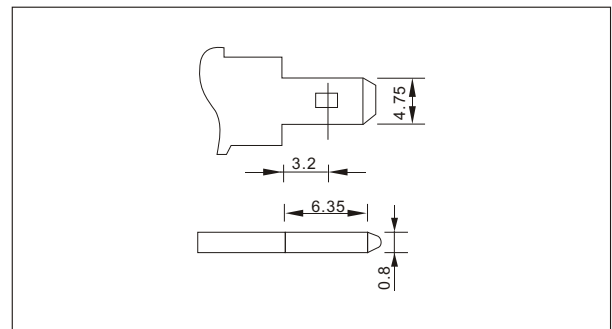
Characteristics

| | | |
|---|------------------------------------|---|
| Capacity 25°C(77°F) | 20 hour rate(0.17 A) | 3.30 AH |
| | 10 hour rate(0.30 A) | 3.04AH |
| | 5 hour rate(0.56A) | 2.81AH |
| | 1 hour rate(1.98A) | 1.98AH |
| | 1.5 hour discharge to 10.5V | 1.32 A |
| Internal Resistance | Full charged Battery at 25°C(77°F) | 37 mΩ |
| Capacity affected by Temperature (20hour rate) | 40°C(104°F) | 102% |
| | 25°C(77°F) | 100% |
| | 0°C(32°F) | 85% |
| | -15°C(5°F) | 65% |
| | Self-Discharge at 25°C(77°F) | Capacity after 3 month storage |
| | Capacity after 6 month storage | 82% |
| | Capacity after 12 month storage | 64% |
| Terminal | | T1 |
| Charge (constant Voltage) | Cycle | Initial Charging Current less than 1.32 A Voltage 14.40-14.70V |
| | Float | Voltage 13.50-13.80V |

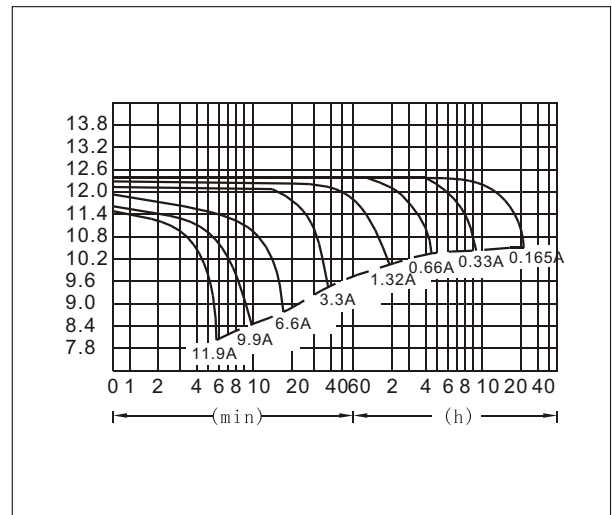
Outer dimensions (mm)



Terminal Type (mm)



Discharge Curves 25°C(77°F)



Constant Current(Amp) and Constant Power(Watt) Discharge Table at 25°C(77°F)

| Time | | 5min | 10min | 15min | 30min | 1h | 2h | 3h | 4h | 5h | 8h | 10h | 20h |
|--------|---|------|-------|-------|-------|-------|-------|------|------|------|------|------|------|
| 9.60V | A | 11.9 | 7.79 | 5.78 | 3.80 | 1.98 | 1.16 | 0.85 | 0.68 | 0.58 | 0.38 | 0.31 | 0.17 |
| | W | 123 | 84 | 62 | 41 | 21.45 | 12.68 | 9.46 | 7.67 | 6.59 | 4.39 | 3.60 | 1.98 |
| 10.20V | A | 10.9 | 7.45 | 5.31 | 3.60 | 1.86 | 1.11 | 0.83 | 0.66 | 0.57 | 0.38 | 0.31 | 0.17 |
| | W | 117 | 83 | 59 | 40 | 21.04 | 12.77 | 9.56 | 7.67 | 6.61 | 4.39 | 3.60 | 1.95 |
| 10.50V | A | 9.9 | 6.96 | 4.95 | 3.49 | 1.80 | 1.09 | 0.81 | 0.63 | 0.57 | 0.37 | 0.30 | 0.17 |
| | W | 109 | 79 | 57 | 40 | 20.76 | 12.60 | 9.45 | 7.34 | 6.57 | 4.37 | 3.59 | 1.95 |
| 10.80V | A | 9.5 | 6.66 | 4.62 | 3.40 | 1.74 | 1.06 | 0.80 | 0.62 | 0.54 | 0.36 | 0.30 | 0.16 |
| | W | 107 | 77 | 53 | 39 | 20.21 | 12.40 | 9.41 | 7.27 | 6.34 | 4.29 | 3.52 | 1.91 |
| 11.10V | A | 8.8 | 6.27 | 4.29 | 3.30 | 1.68 | 1.03 | 0.76 | 0.60 | 0.51 | 0.35 | 0.29 | 0.16 |
| | W | 100 | 73 | 50 | 39 | 19.66 | 12.20 | 8.98 | 7.21 | 6.12 | 4.22 | 3.49 | 1.90 |