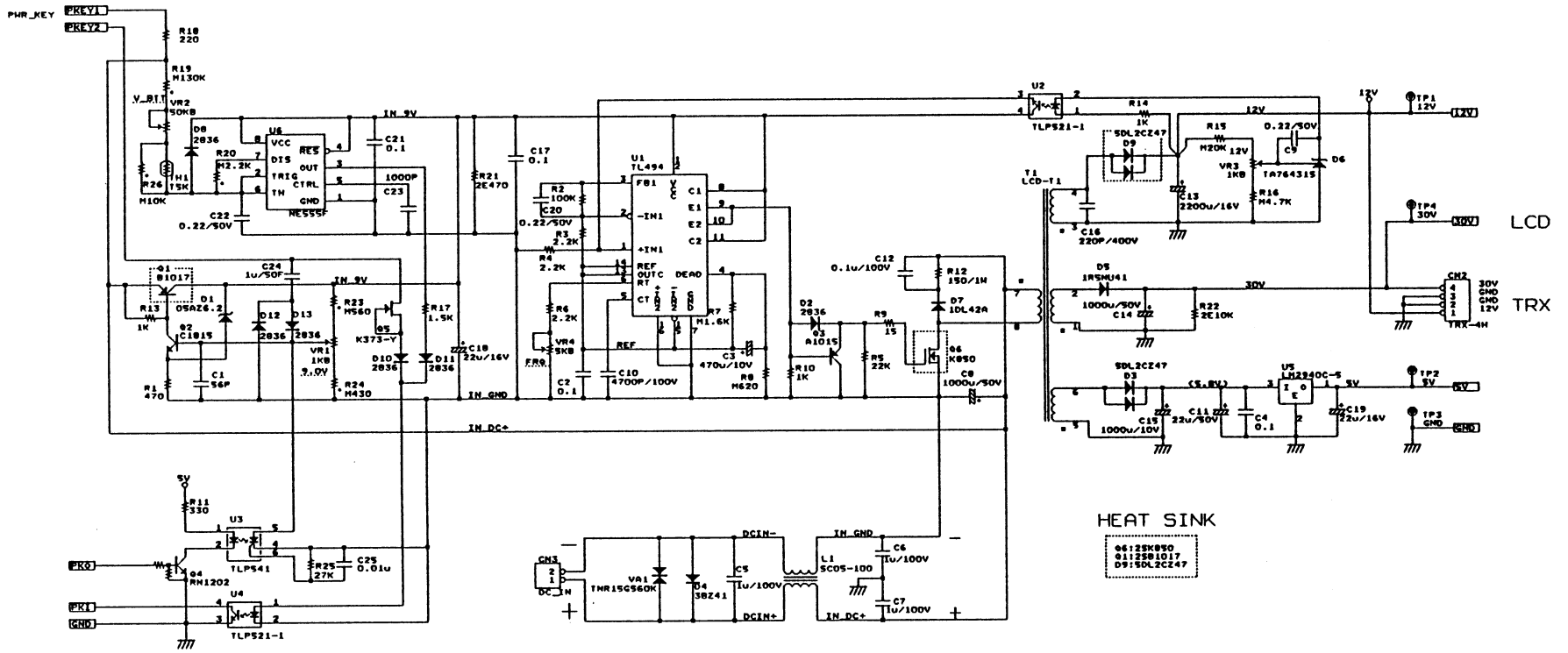
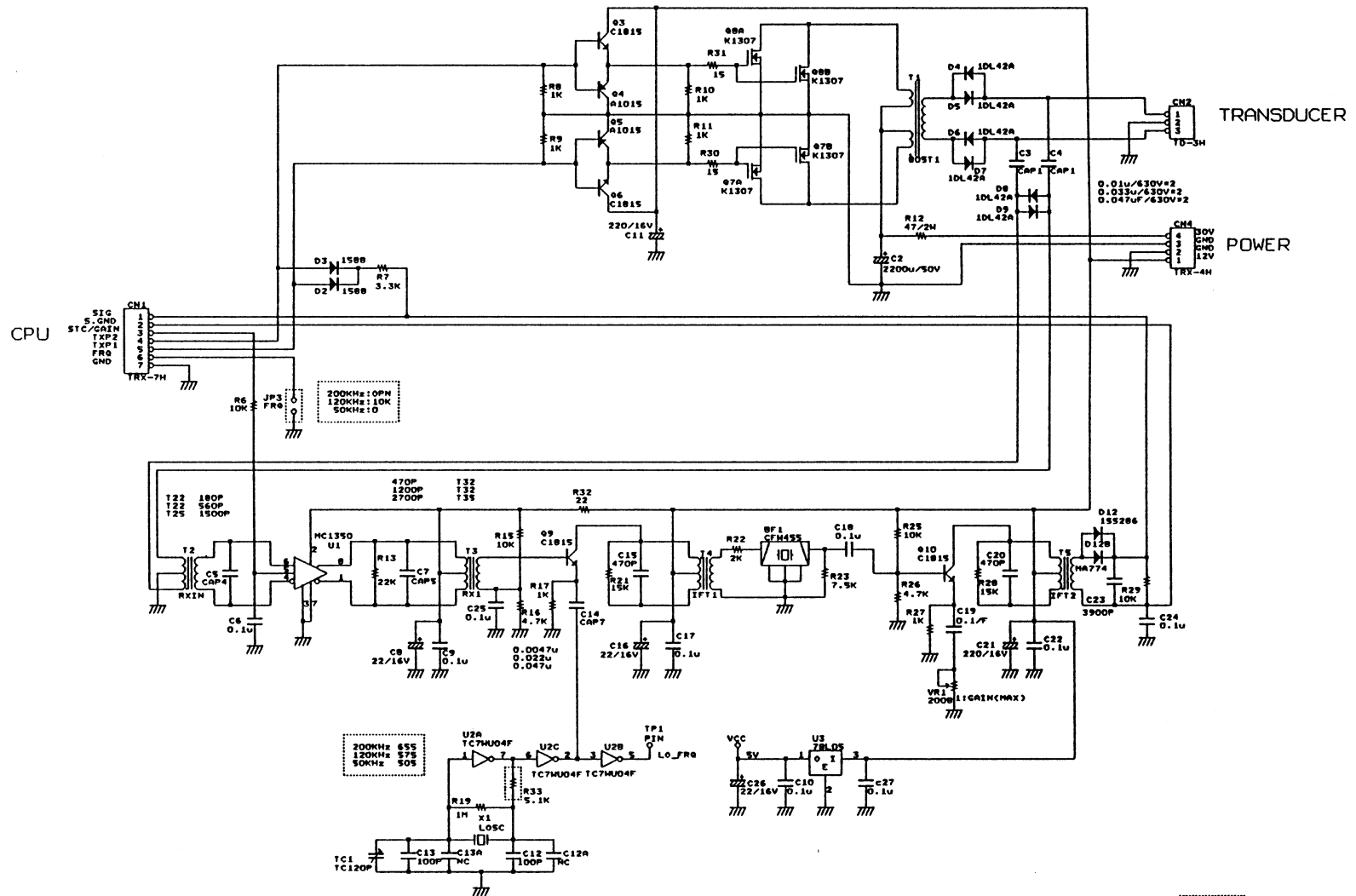


bc41	bc42	bc43	bc44	bc45	bc46	bc47	bc48	bc49	bc50
0.1	0.1	0.1	0.1	0.1	0.1	0.1	0.1	0.1	0.1



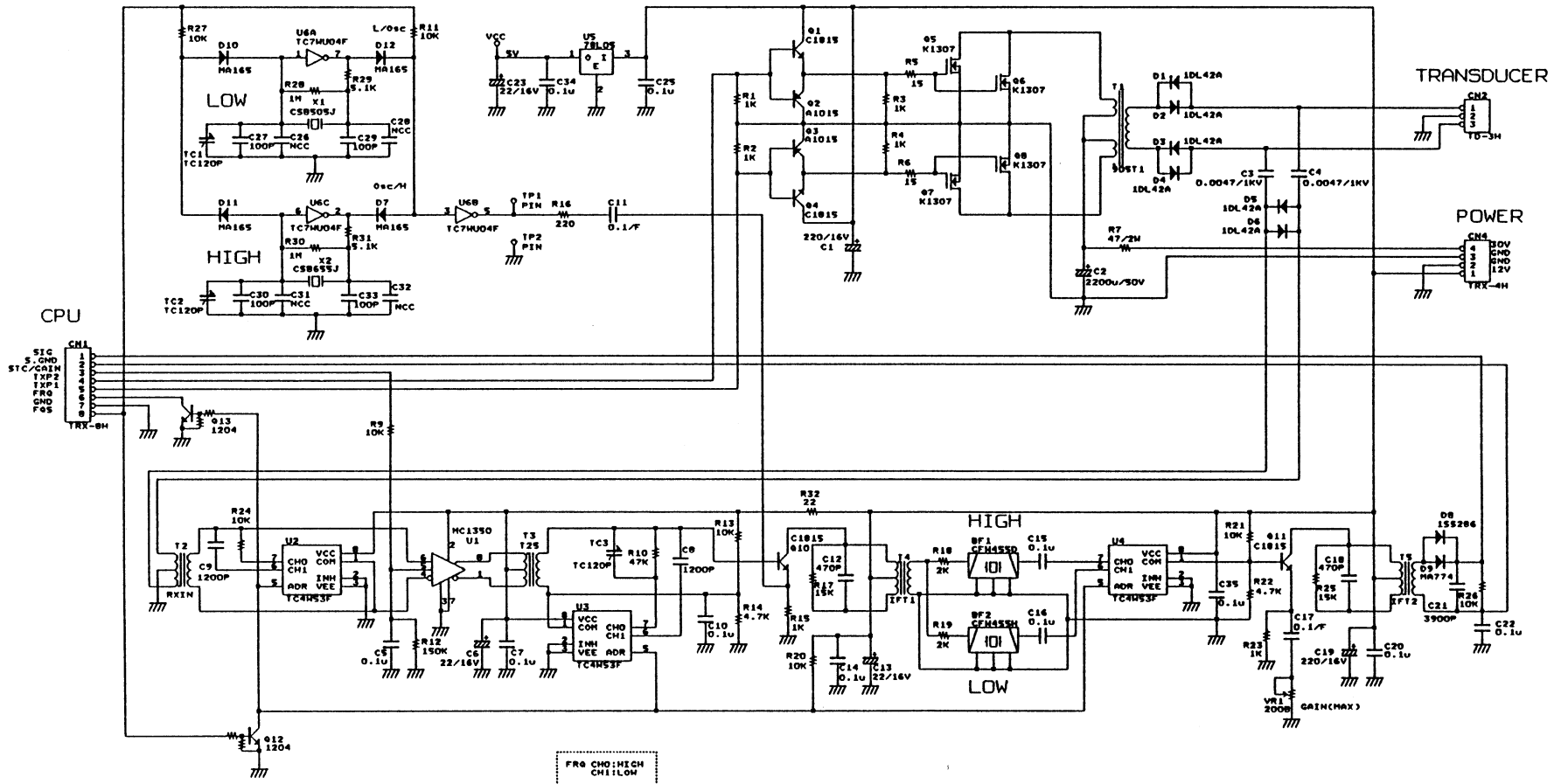
POWER IN  
11V-40VDC

2E###1/4W  
###1/10W



CAP. 1  
200KHz  
120KHz  
50KHz

A80S-TRX		
Size	Document Number	REV
C	LCD TRANSCEIVER BOARD	
Date:	Nov 01 '81	1 of 1



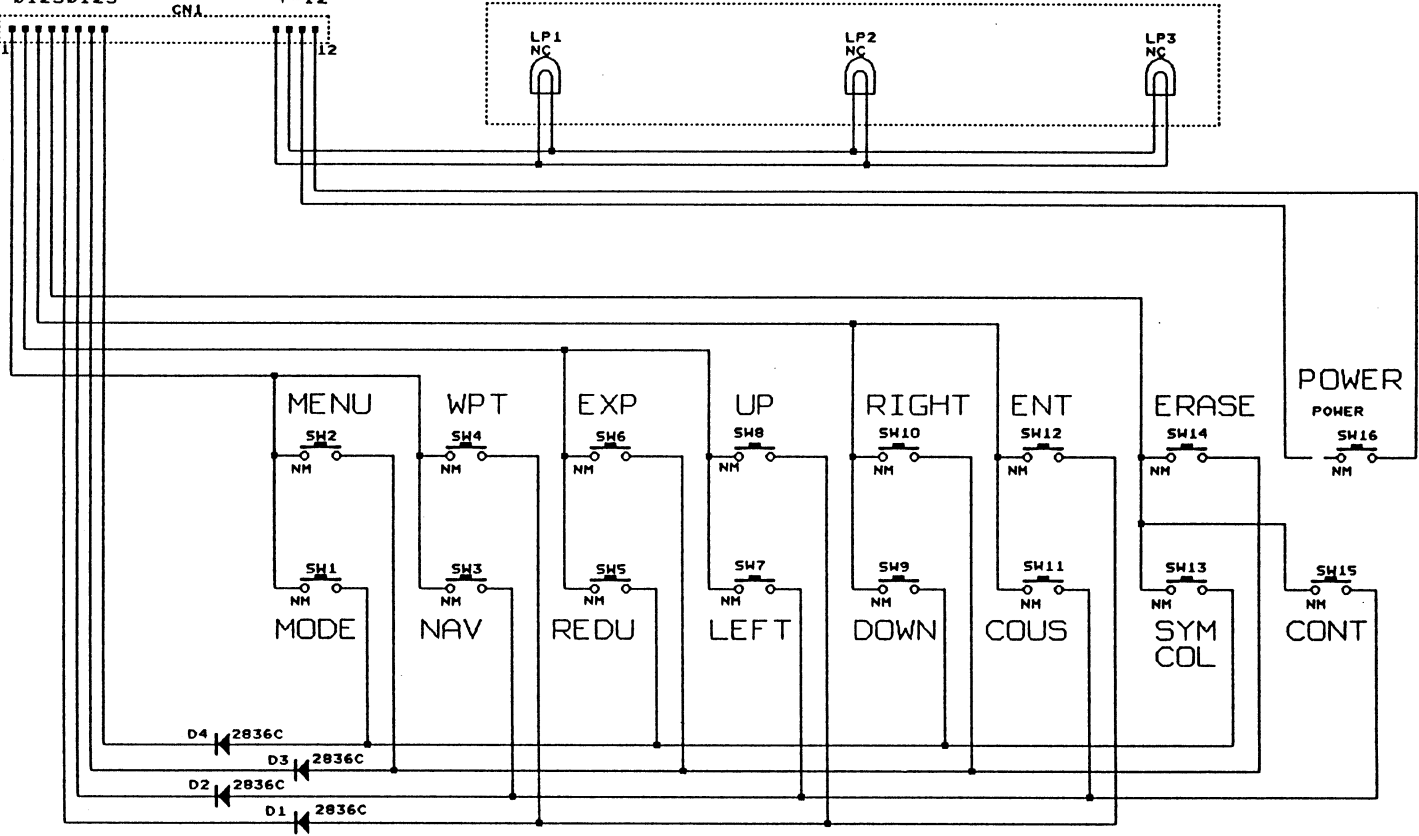
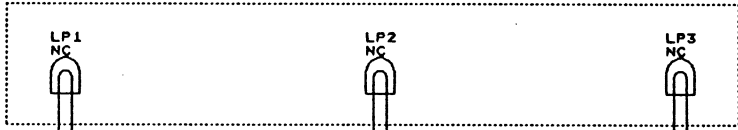
CPU

KKKKKKKK  
SSSSDDDD  
01230123

PP  
WW  
LL  
AAKK  
MMWE  
PPYY  
+-12

GN1

12



POWER

POWER  
SW16  
NM

MENU

SW2

NM

SW1

NM

MODE

WPT

SW4

NM

SW3

NM

NAV

EXP

SW6

NM

SW5

NM

REDU

UP

SW8

NM

SW7

NM

LEFT

RIGHT

SW10

NM

SW9

NM

DOWN

ENT

SW12

NM

SW11

NM

COUS

ERASE

SW14

NM

SW13

NM

SYM  
COL

SW15

NM

CONT

D4 2836C

D3 2836C

D2 2836C

D1 2836C

A702-KEY-8

Size	Document Number	REV
B	NP1060L/NP2060L KEY BOARD	
Date:	November 18, 1999	Sheet 1 of 1