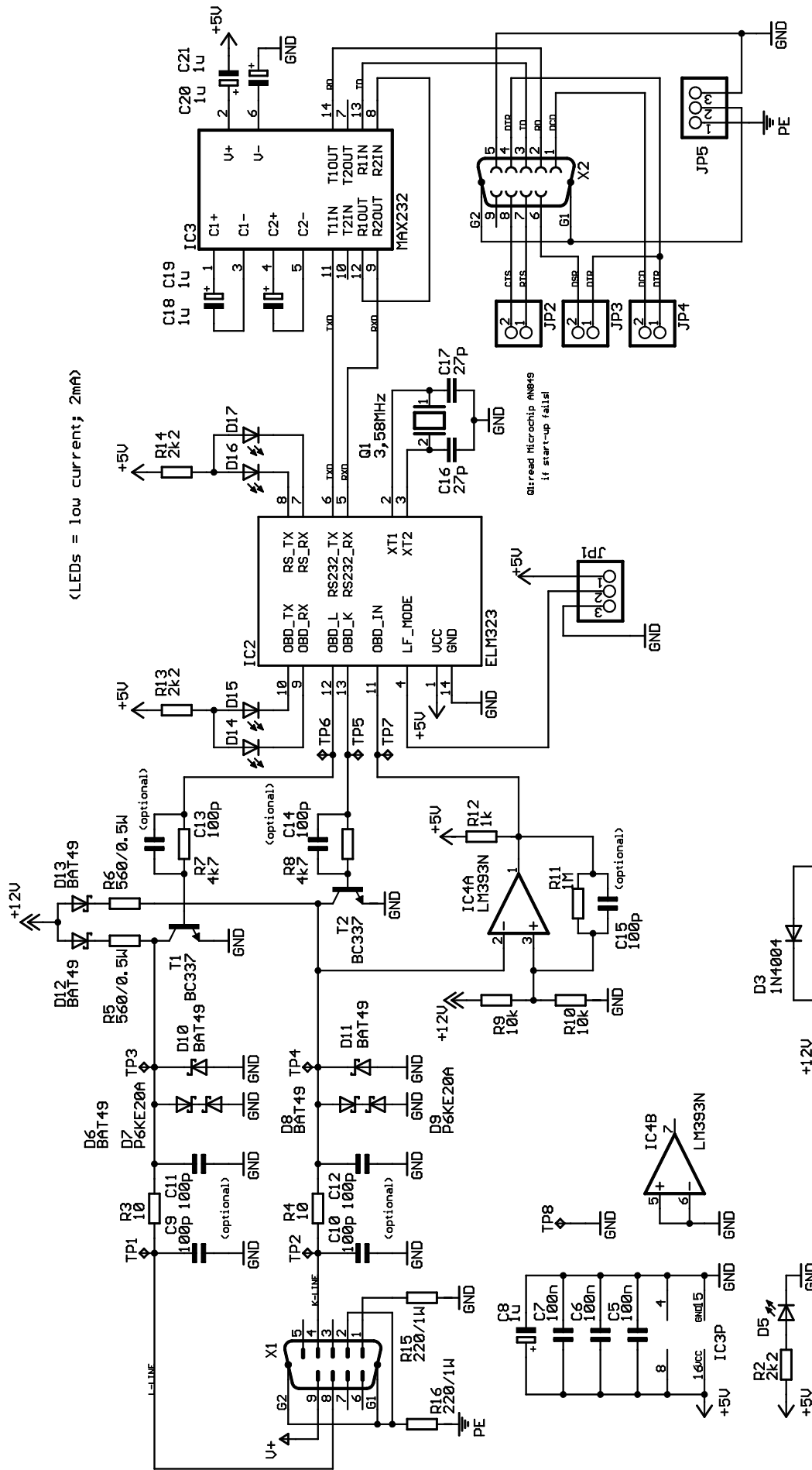


< LEDs = low current; 2mA >



IS09141/RS232-Interface

© 2003 - Mark.Neugebauer@gmx.de

TITLE: OBD-2 Interface v007

Document Number:

REV:

Date: 09.02.2003 07:32:14

Sheet: 1/1