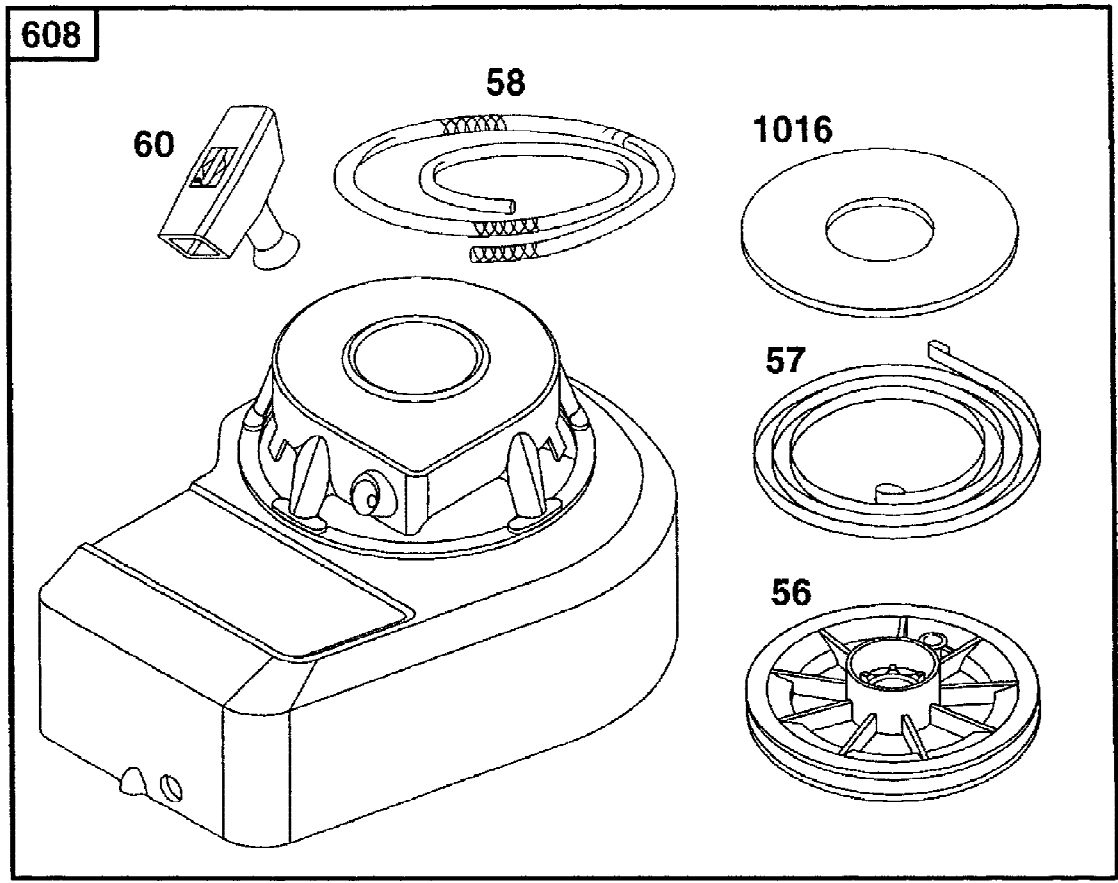
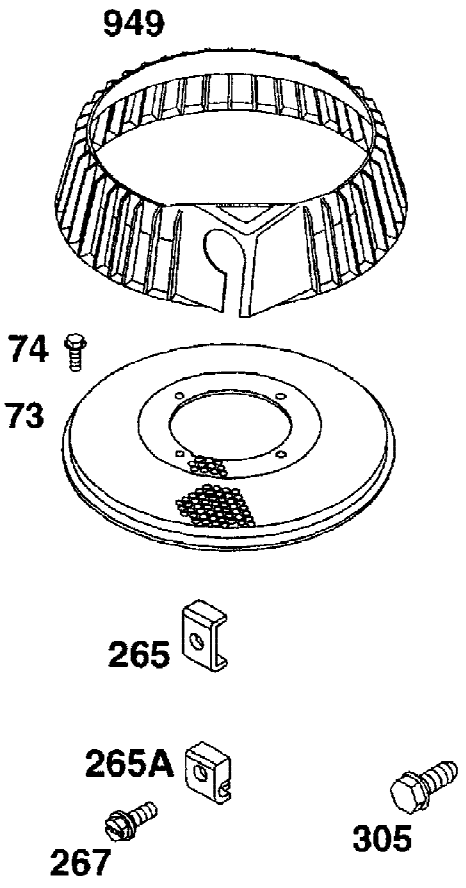
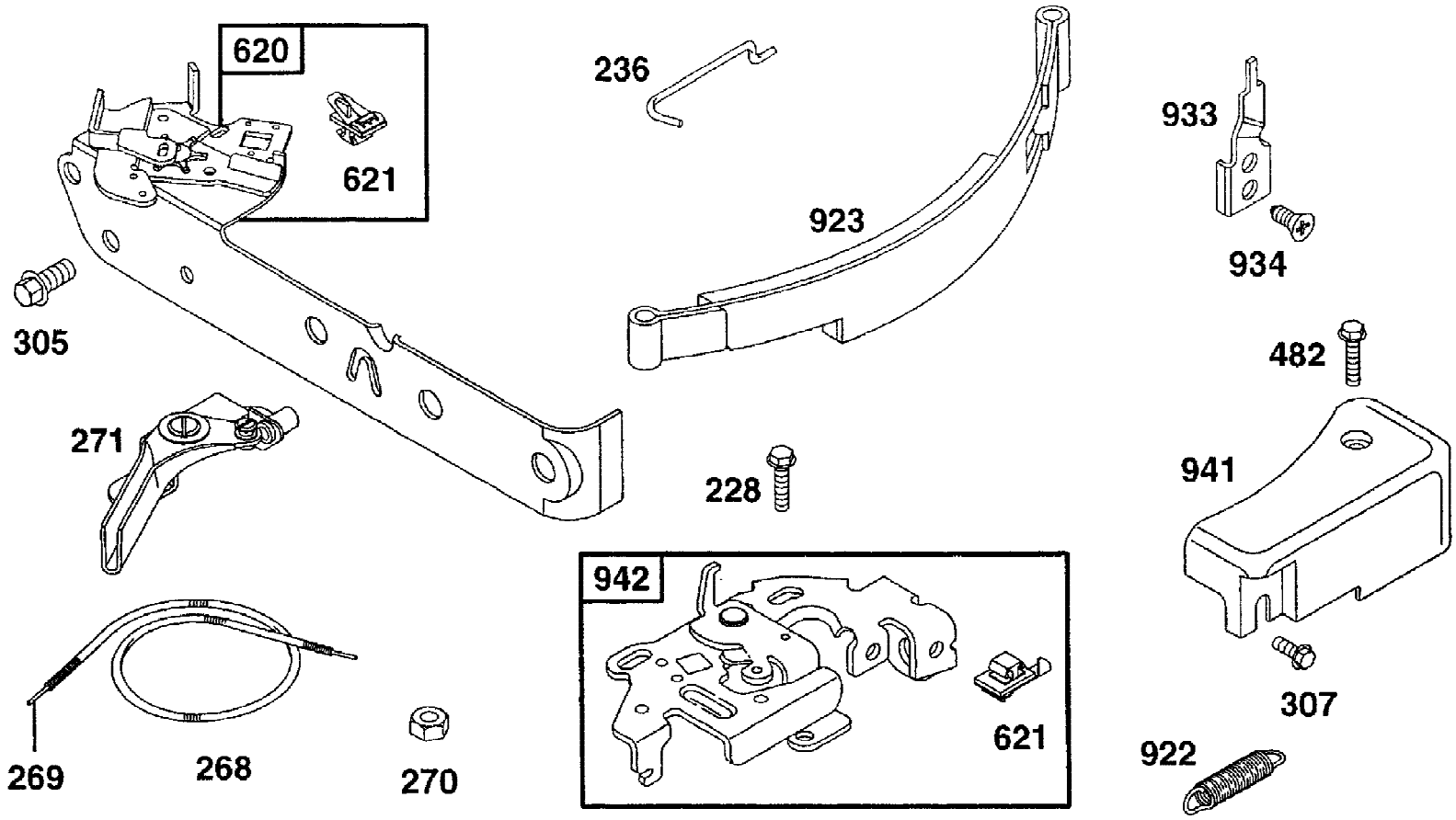


Item Number	Part Number	Quantity	Description
81	223256		Lock-Screw
298	220859		Locknut, Muffler/El
300A	394644		Muffler-Exhaust
300	394569		Muffler Assy (Lo-Tone)
346A	94602		Screw, Hex Wash Hd
346	93705		Screw, Tapping Hex (8-32 X 3/8)
436	92989		Elbow, Exhaust 45 D
496	223600		Muffler-Bracket
534	93865		Screw, Air Cleaner
535	272235		Filter-Air
536	493492		Cleaner-Air
613	93935		Screw, Shoulder Muf
643	280972		Retainer-Air Filter
676B	396548		Deflector-Muffler
676A	393760		Deflector-Muff (Side Outlet)
676	393756		Deflector-Muff (Side Outlet)
832A	493967		Guard-Muffler
832	494896		Guard-Muffler
994	398067		Spark Arrestor



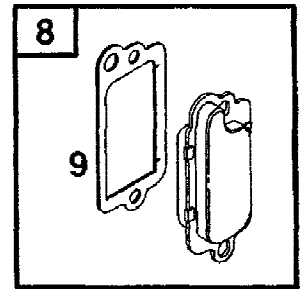
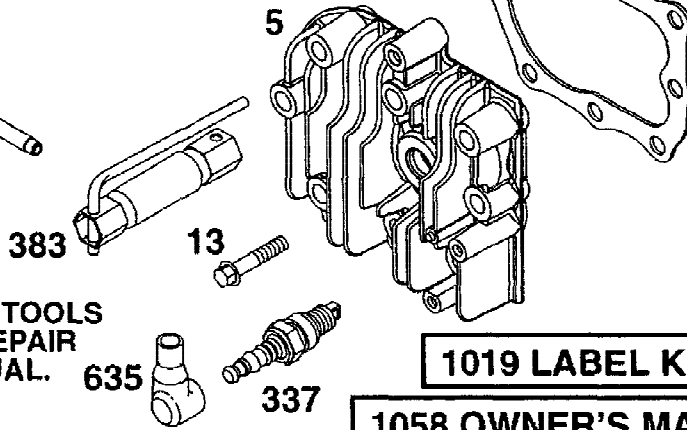
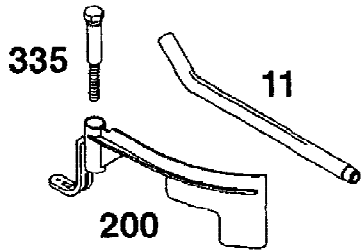
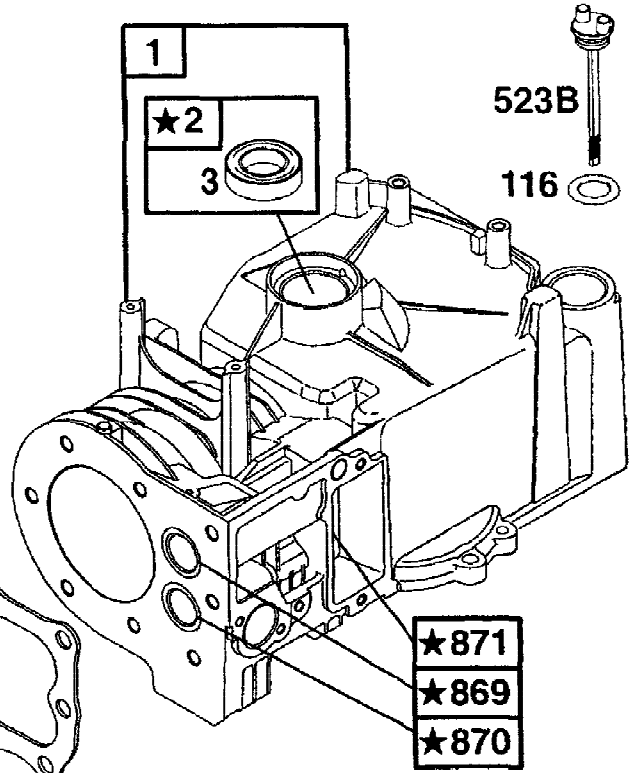
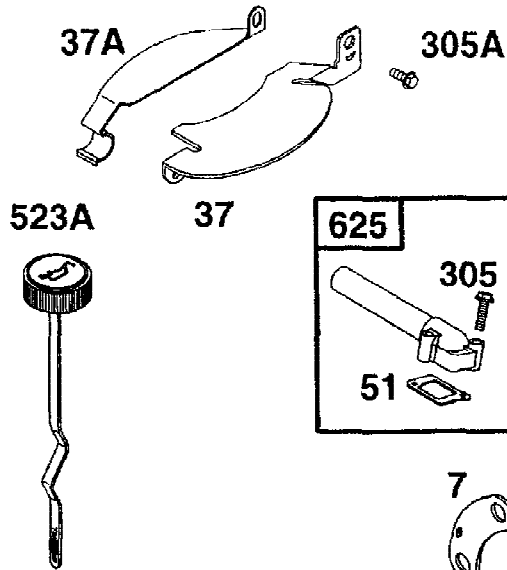
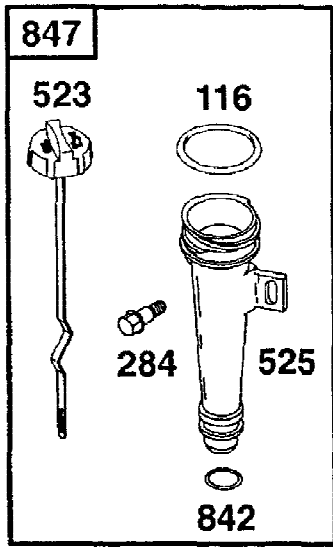
Item Number	Artikelnummer	Menge	Description
56	280439		Pulley-Starter
57	490179		Spring-Rewind Starter
58	280399		Rope, Starter (99" Cut To Required Length)
58	280406		Rope, Starter (81" Cut To Required Length)
60	393152		Insert-Starter Handle
73	221661		Screw-Rewind Starter
74	93758		Screw, Hex Wash Hd
265A	213146		Clamp, Casing
265	22372		Clamp-Casing
267	94694		Screw, Tapping Hex
305	93485		Screw-Hex
305	94153		Screw, Sem Hex Head
608	493469		Blower Housing/Star (12 O'clock, For Non-Band Brake) Used Before Code Date 95071400
608	493565		Starter-Rewind (9 O'clock, For Non-Band Brake) Used Before Code Date 95071400
608	493594		Starter-Rewind (8 O'clock, For Non-Band Brake) Used Before Code Date 95071400
608	494123		Starter-Rewind (6 O'clock, For Non-Band Brake) Used Before Code Date 95071400
608	494143		Starter-Rewind (4 O'clock, For Non-Band Brake) Used Before Code Date 95071400
608	494291		Blower Housing/Star (6 O'clock Compliance Engines) Used Before Code Date 95071400
608	494402		Blower Housing/Star (12 O'clock) Used Before Code Date 95071400
608	494495		Blower Housing/Star (5 O'clock, Compliance Engines) Used Before Code Date 95071400
608	494571		Starter-Rewind (3 O'clock Non Compliance Engines) Used Before Code Date 95071400
608	494738		Blower Housing/Star (3 O'clock, For Band Brake) Used Before Code Date 95071400
608	494913		Blower Housing/Star (11 O'clock Compliance Engines) Used Before Code Date 95071400
608	497784		Starter-Rewind (12 O'clock Non Compliance Engines) Used After Code Date 95071300
608	497785		Starter-Rewind (9 O'clock Non Compliance Engines) Used After Code Date 95071300
608	497786		Starter-Rewind (8 O'clock Non Compliance Engines) Used After Code Date 95071300
608	497787		Starter-Rewind (6 O'clock) Used After Code Date 95071300
608	497788		Starter-Rewind (5 O'clock) Used After Code Date 95071300

Referenznummer	Artikelnummer	Menge	Description
608	497788		Starter-Rewind (5 O'clock) Used After Code Date 95071300
608	497791		Starter-Rewind (4 O'clock Non Compliance Engines) Used After Code Date 95071300
608	497792		Starter-Rewind (3 O'clock Non Compliance Engines) Used After Code Date 95071300
608	497802		Blower Housing/Star (6 O'clock Compliance Engines) Used After Code Date 95071300
608	497803		Blower Housing/Star (12 O'clock Non Compliance Engines) Used After Code Date 95071300
608	497805		Blower Housing/Star (5 O'clock Compliance Engines) Used After Code Date 95071300
608	497806		Blower Housing/Star (3 O'clock Compliance Engines) Used After Code Date 95071300
608	497807		Blower Housing/Star (11 O'clock Compliance Engines) Used After Code Date 95071300
949	280684		Guard-Rewind Starter Used Before Code Date 91080500
949	281192		Guard-Rewind Starter Used After Code Date 91080400
1016	490817		Spacer=rewind



Control Brackets, Band Brake

Item Number	Artikelnummer	Menge	Description
228	94018		Screw, Machine Hex
236	262461		Link-Lockout
268	66986		Casing, Wire (48" Cut To Required Length) If Longer Casing is Required, Specify Length in Inches; if Shorter Casing is Needed, Cut to Required Length.
269	26099		Wire, Control (54" Cut To Required Length) If Longer Wire is Needed, Specify Length in Inches; if Shorter Wire is Needed, Cut to Required Length.
270	63426		Nut, Hex
271	290568		Lever-Control
305	93485		Screw-Hex
305	94153		Screw, Sem Hex Head
307	94515		Screw, Tapping Hex
482	93621		Screw, Tapping Hex
620	494629		Plate-Carburetor Control Used Before Code Date 92070700
620	495485		Bracket-Control Used After Code Date 92070600
620	495486		Bracket-Control Used After Code Date 92060700
621	396847		Switch, Stop Assy
922	261647		Spring-Return
923	394867		Pivot-Band Brake
933	223448		Pivot, Band Brake
934	94037		Screw. Flat Trim Hd
941	280395		Cover-Linkage
942	493248		Bracket-Brake



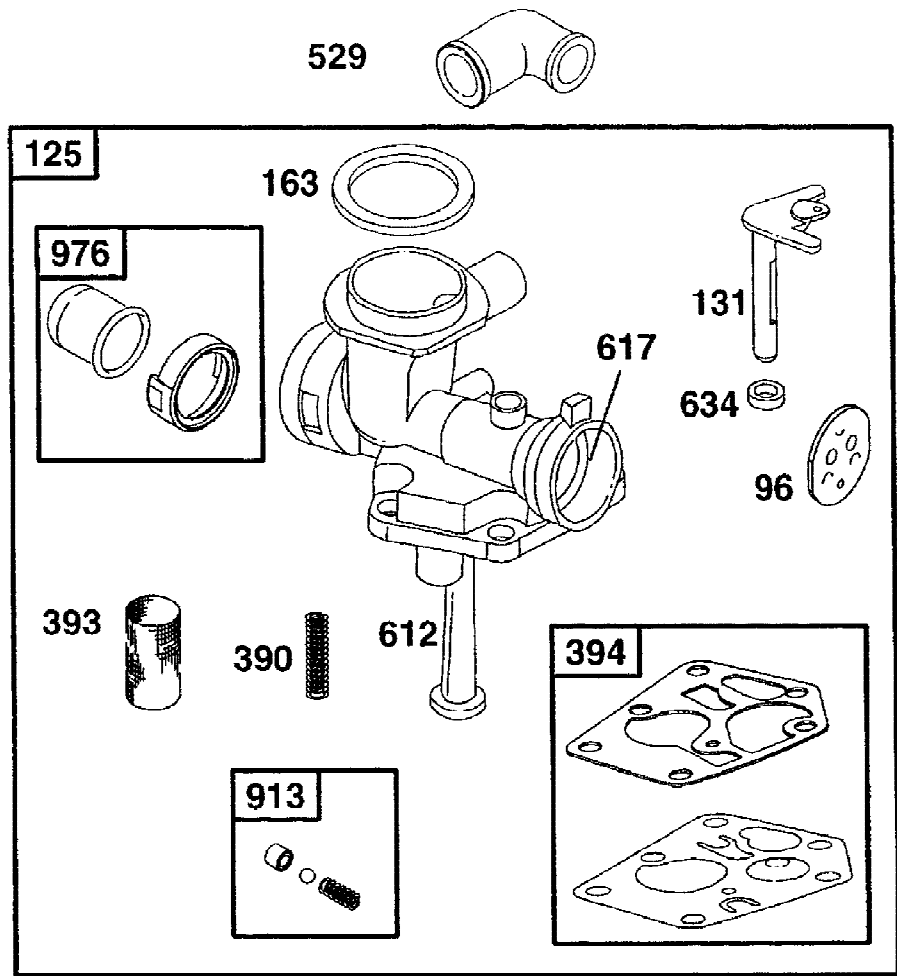
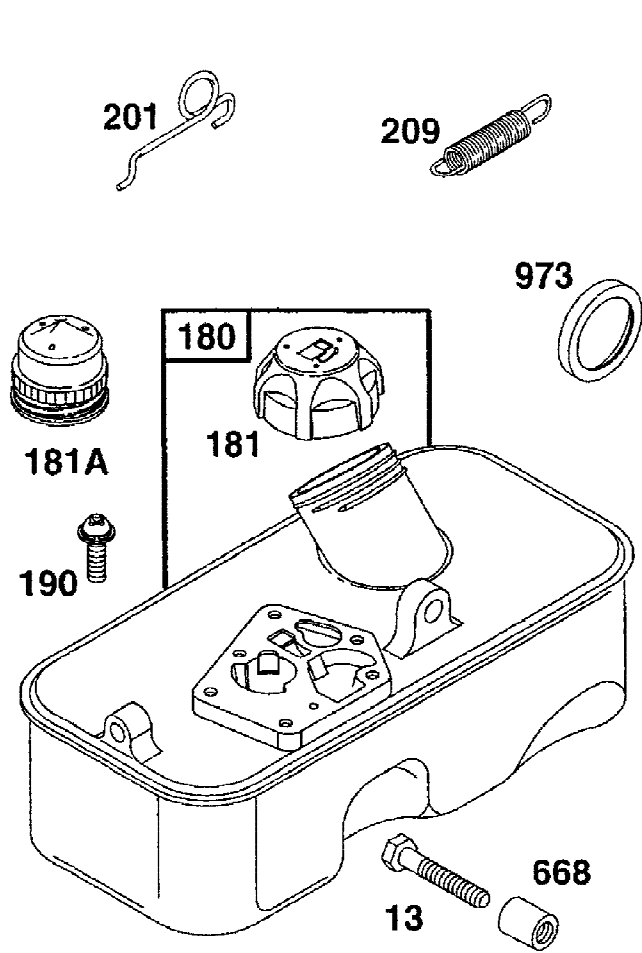
★ REQUIRES SPECIAL TOOLS TO INSTALL. SEE REPAIR INSTRUCTION MANUAL.

1019 LABEL KIT

1058 OWNER'S MANUAL

Item Number	Artikelnummer	Menge	Description
	1	399164	Cylinder Assy (Air Vane)
	2	293708	Bushing/Seal Kit (Plain Bearing)
	3	299819	Seal, Oil (Plain Bearing Covers) Included in Gasket Set-Part No. 298989
	5	213942	Head-Cylinder Used on Engines With Muffler Guard.
	7	272536	Gasket-Cylinder Head Included in Gasket Set-Valve Overhaul-Part No. 498526. Included in Gasket Set-Part No. 298989
	8	495785	Breather Assy (Includes Gasket)
	9	272602	Gasket-Breather Included in Gasket Set-Valve Overhaul-Part No. 498526. Included in Gasket Set-Part No. 298989
	11	231774	Tube-Breather
	13	93111	Screw, Machine Hex (15/16" Long)
	13	94960	Screw, Machine Hex (1-15/16" Long)
	37A	222403	Guard-Flywheel Used Before Code Date 92110200
	37A	224819	Guard, Flywheel Car (Carburetor Side) Used After Code Date 92110100
	37	223150	Guard-Flywheel (Muffler Side)
	51	270345	Gasket-Intake Elbow Included in Gasket Set-Part No. 298989
	116	270920	Seal, Oil Fill Tube
	116	271485	Seal, Oil Fill Tube Included in Gasket Set-Part No. 298989
	200	281024	Blade-Governor
	284	94073	Screw, Hex Washer H
	305A	94153	Screw, Sem Hex Head
	305	93485	Screw-Hex
	305	94153	Screw, Sem Hex Head
	335	94732	Screw, Hex Wash Hea
	337	492167	Spark Plug
	337	802592	Spark Plug,resistor
	383	89838	Wrench-Spark Plugs
	523B	281081	Plug-Oil Filler
	523A	495234	Dipstick Used Before Code Date 95030600
	523	497306	Dipstick Used Before Code Date 95101600
	523	497968	Dipstick Used After Code Date 95101500
	525	280578	Tube-Oil Filler
	625	298775	Tube-Intake
	635	66538	Elbow-Spark Plug
	842	271485	Seal, Oil Fill Tube Included in Gasket Set-Part No. 298989
	847	399030	Tube-Oil Used Before Code Date 95030600
	847	497306	Dipstick Used After Code Date 95030500 and Before Code Date 95101600

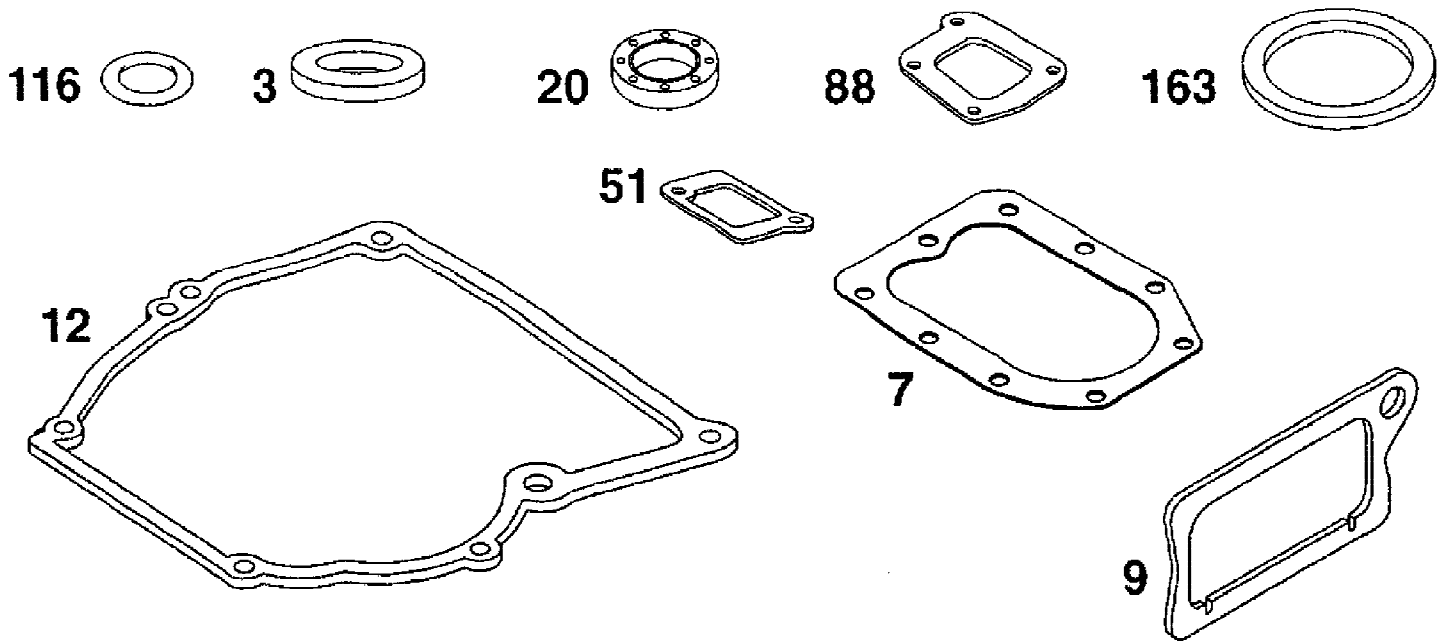
Referenznummer	Artikelnummer	Menge	Description
847	497969		Dipstick/Tube Assy. Used After Code Date 95101500
869	211172		Seat-Valve (Intake)
870	211291		Seat-Valve (Exhaust)
871	231348		Bushing-Guide (Exhaust Valve)
871	63709		Bushing-Guide (Brass)
1019	496757		Label Kit
1058	272308		Owner's Manual (Non Emission Engines)



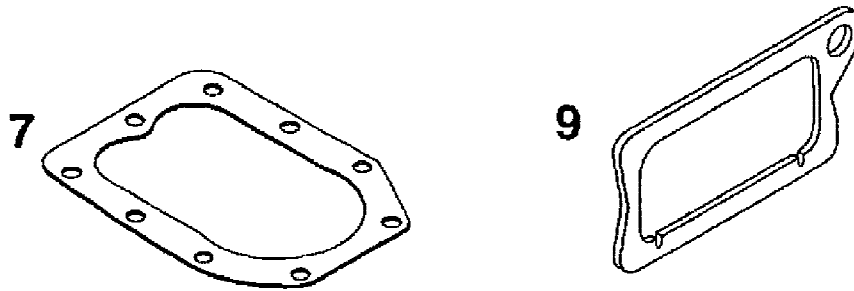
FuelTank, Carburetor Assy.

Item Number	Artikelnummer	Menge	Description
	13	93111	Screw, Machine Hex (15/16" Long)
	13	94960	Screw, Machine Hex (1-15/16" Long)
	96	224412	Valve-Throttle
	125	494775	Carburetor Used Before Code Date 96052900
	125	498809	Carburetor Used After Code Date 96051900
	131	281047	Shaft-Throttle
	163	271139	Gasket, Air Cleaner (Above Spacer) Included in Gasket Set-Part No. 298989
	180	494406	Tank-Fuel
181A	493982		Cap, Tank (Metal) A
	181	497929	Cap, Tank (Plastic)
	190	93440	Screw, Sem Pan Hd C
	201	262753	Link, Governor
	209	262759	Spring-Governor Used Before Code Date 93020100
	209	262760	Spring-Governor Used After Code Date 93013100
	209	262761	Spring-Governor Used After Code Date 93013100
	209	262762	Spring-Gov. Used After Code Date 93013100
	209	262942	Spring-Governor Used After Code Date 93013100
	209	262943	Spring-Gov. Used After Code Date 93013100
	390	262764	Spring-Diaphragm
	393	262734	Screen-Jet
	394	495770	Diaphragm-Pump
	529	67838	Grommet, Cover
	612	496046	Tube-Pickup
	617	270344	Seal-Intake Tube
	634	280566	Seal, Dust (Sold In Kit Only)
	668	94038	Spacer, Tank (Used On Engines With Band-Brake).
	668	94047	Spacer, Tank (Used On Engines Without Band-Brake).
	913	494409	Seat-Check Valve
	973	281661	Ring, Trim (Primer)
	976	494408	Primer-Carburetor

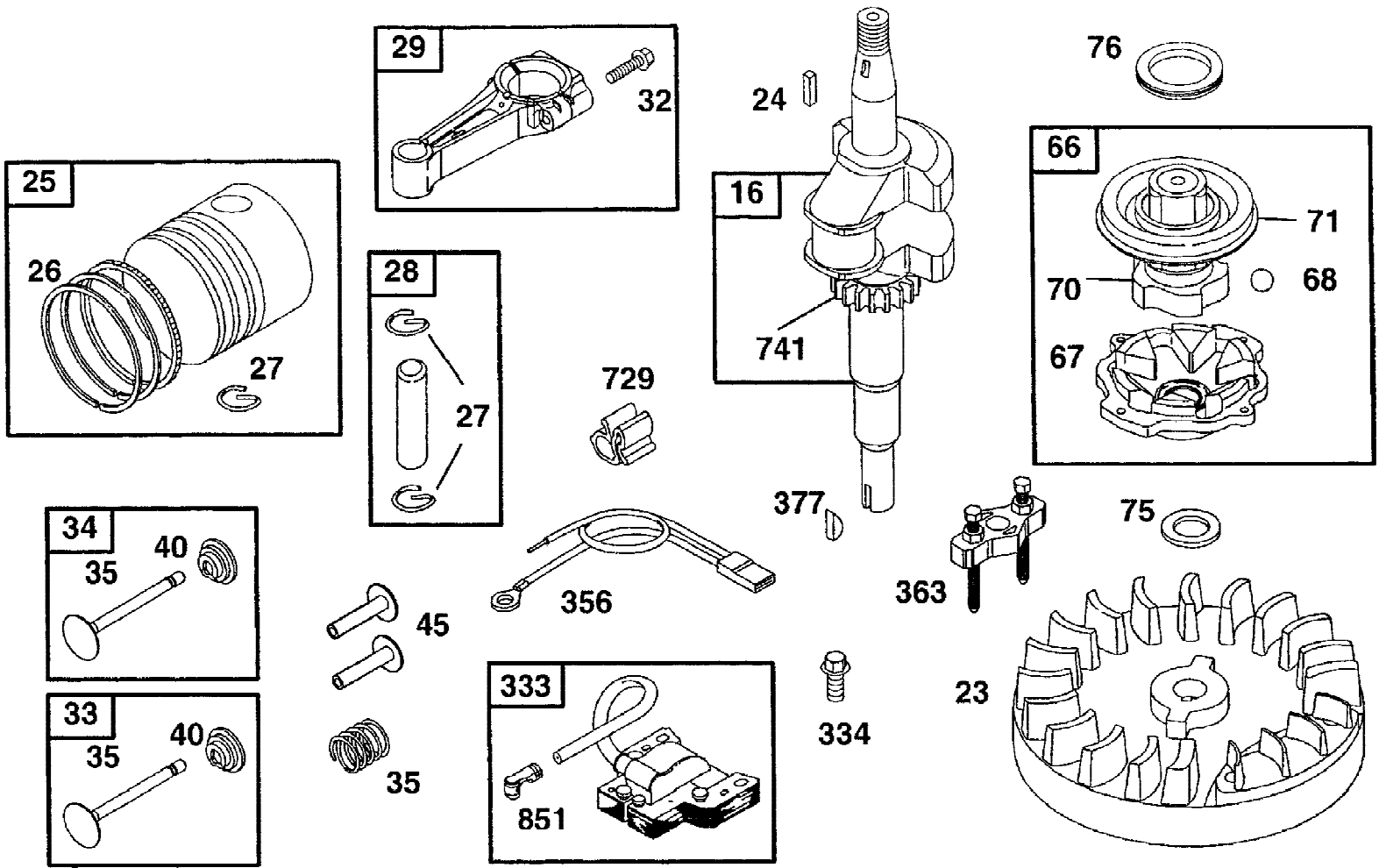
358 GASKET SET



1095 GASKET SET-VALVE OVERHAUL



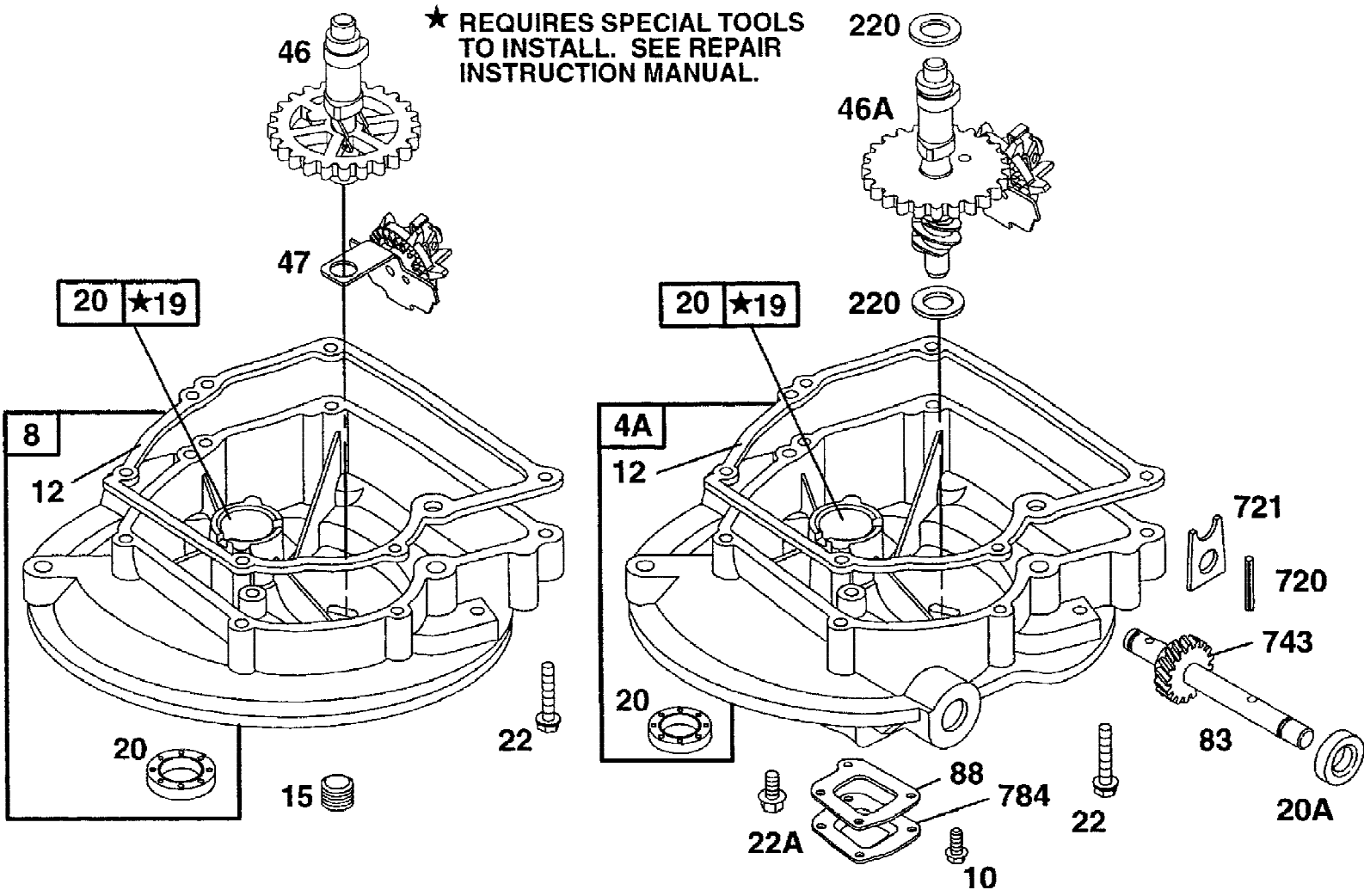
Item Number	Part Number	Quantity	Description
3	299819		Seal, Oil (Plain Bearing Covers) Included in Gasket Set-Part No. 298989
7	272536		Gasket-Cylinder Head Included in Gasket Set-Valve Overhaul-Part No. 498526. Included in Gasket Set-Part No. 298989
9	272602		Gasket-Breather Included in Gasket Set-Valve Overhaul-Part No. 498526. Included in Gasket Set-Part No. 298989
12	270833		Gasket, Crankcase (.015") Included in Gasket Set-Part No. 298989
12	270895		Gasket-Crkscse (.005") Included in Gasket Set-Part No. 298989
12	270896		Gasket-Crkscse (.009") Included in Gasket Set-Part No. 298989
20	391483		Seal-Oil Included in Gasket Set-Part No. 298989
51	270345		Gasket-Intake Elbow Included in Gasket Set-Part No. 298989
88	270328		Gasket-Sump Cover Included in Gasket Set-Part No. 298989
116	270920		Seal, Oil Fill Tube
116	271485		Seal, Oil Fill Tube Included in Gasket Set-Part No. 298989
163	271139		Gasket, Air Cleaner (Above Spacer) Included in Gasket Set-Part No. 298989
358	298988		Gasket Set
1095	498526		Gasket Set-Valve Overhaul



Errenznummer	Artikelnummer	Menge	Description
16	492086		Crankshaft To Replace Crankshaft Gear Pin-Order Part No. 499047
23	495046		Flywheel
24	222698		Key, Flywheel
25	298904		Piston Assy-Std (Std.) Used Before Code Date 96020600
25	298905		Piston Assy-010 Used Before Code Date 96020600
25	298906		Piston Assy-020 Used Before Code Date 96020600
25	298907		Piston Assy-030 Used Before Code Date 96020600
25	498668		Piston Assy-Std Used After Code Date 96020500
25	498669		Piston Assy. (.010" O.S.) Used After Code Date 96020500
25	498670		Piston Assy. (.020" O.S.) Used After Code Date 96020500
25	498671		Piston Assy-030 Used After Code Date 96020500
26	298982		Ring Set-Std (Std.) Used Before Code Date 96020600
26	298983		Ring Set-010 Used Before Code Date 96020600
26	298984		Ring Set-020 Used Before Code Date 96020600
26	298985		Ring Set-030 Used Before Code Date 96020600
26	498680		Ring Set-Std Used After Code Date 96020500
26	498681		Ring-Set (.010" O.S.) Used After Code Date 96020500
26	498682		Ring-Set (.020" O.S.) Used After Code Date 96020500
26	498683		Ring-Set (.030" O.S.) Used After Code Date 96020500
27	26026		Lock-Piston Pin
28	298908		Pin-Piston 005 (.005" O.S.)
28	298909		Pin-Piston Std
29	294201		Rod-Connecting (Standard)
29	296079		Rod-Connecting 020
32	94699		Screw, Hex Flange H
33	296676		Valve-Exhaust (Grooved Stem-Includes Retainer No. 93312)
34	296677		Valve-Intake (Grooved stem-includes Retainer)

Piston Grp,Armature,Flywheel

Item Number	Part Number	Quantity	Description
35	260552		Spring, Valve
40	93312		Retainer, Spring (Used With Valves With Groove In Stem)
45	230173		Tappet-Valve
66	399671		Clutch-Starter (Uses Rubber Coated Retainer Washer-Ref. 71)
67	394897		Housing-Starter Clutch
68	63770		Ball-Clutch
70	298799		Ratchet Assy (For engine W/Ring Gear on FW equipped for Elec Start)
71	394506		Seal/Retainer Assy (Rubber Coated)
75	223047		Washer, Flywheel
76	68238		Seal-Ratchet
333	496914		Armature-Magneto
334	94731		Screw, Hex Wash Hea
356	398808		Wire-Stop (30" Cut To Required Length)
356	496381		Wire-Stop Used After Code Date 93080100
363	19069		Puller-Flywheel (Optional Accessory)
377	93065		Key, Woodruff (No. 6)
729	280470		Clip-Wire
741	261533		Gear, Timing (For Plain Bearing 2 Piece Crankshaft)
851	493880		Terminal-Cable



Item Number	Part Number	Quantity	Description
8	495785		Breather Assy (Includes Gasket)
10	94621		Screw
12	270833		Gasket, Crankcase (.015") Included in Gasket Set-Part No. 298989
12	270895		Gasket-Crkcse (.005") Included in Gasket Set-Part No. 298989
12	270896		Gasket-Crkcse (.009") Included in Gasket Set-Part No. 298989
15	94720		Plug, Pipe (Flush)
19	293709		Bushing/Seal Kit (Plain)
20A	391484		Seal, Auxiliary PTO (For 1/2"Auxiliary Drive Shaft)
20	391483		Seal-Oil Included in Gasket Set-Part No. 298989
22	94682		Screw, Machine Hex
46A	396197		Camshaft (Clockwise)
46	493747		Camshaft (Plastic)
47	491688		Slinger-Oil
83	230831		Shaft-Drive
88	270328		Gasket-Sump Cover Included in Gasket Set-Part No. 298989
220	68938		Washer, Thrust (13/16 ODx17/32 ID) Use on Aux Drive PTO.Cam
720	93474		Pin-Shaft
721	221779		Stop-Shaft
743	231278		Gear, Helical (Clockwise)
784	221780		Cover-Sump