



LEDIONTM ULTRA

LU 1 (MONO COLOUR)

Technical Specifications

Electrical

Power Consumption @ max	1.4W
Input Voltage	2.95 - 3.42V DC (depending on colour)
Data Connection	2 Core Cable
Driver Compatibility	LUD36 (36 Units)

Environmental

Operating Ambient Temp Range	-20°C / +40°C
Operating Temp	+50°C @ 25°C Ambient
Cooling	Via Convection Cooling System

Mechanical

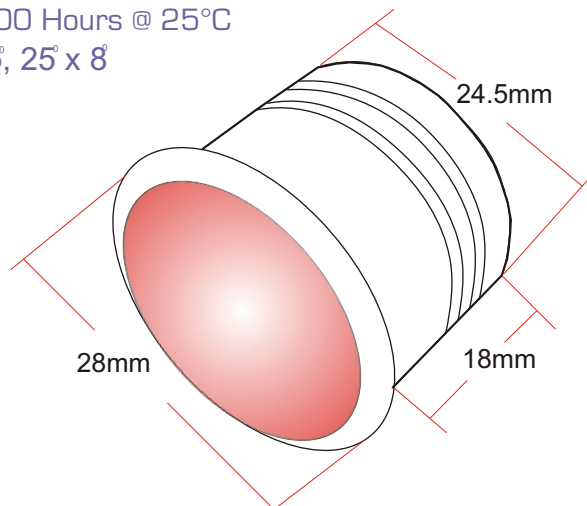
Construction	Aluminium
Flammability	94V-0 Flame Class Rating

Dimensions

Excluding Housing	28mm 22mm Depth
Including Housing	28mm 40mm Depth

Light Characteristics

Lumen Output Red	44
Lumen Output Green	40
Lumen Output Blue	12
Lumen Output Cyan	40
Lumen Output Amber	42
Lumen Output White	31
Typical Lumen Maintenance	70% @ 50,000 Hours
Lamp Life	50,000 Hours @ 25°C
Lense options	8, 25, 25 x 8





LEDIONTM ULTRA

LU1 (MONO COLOUR)

LEDION LU1 Wiring Diagram

