

LUB RGB (MR 16)

Technical Specifications

Electrical

Power Consumption @ max	4.2
Input Voltage	48V DC
Data Connection	RJ45
Driver Compatability	LUD36 (12 Units)

Environmental

Operating Ambient Temp Range	-20°C / +40°C
Operating Temp	+50°C @ 25°C Ambient
Cooling	Via Convection Cooling System

Mechanical

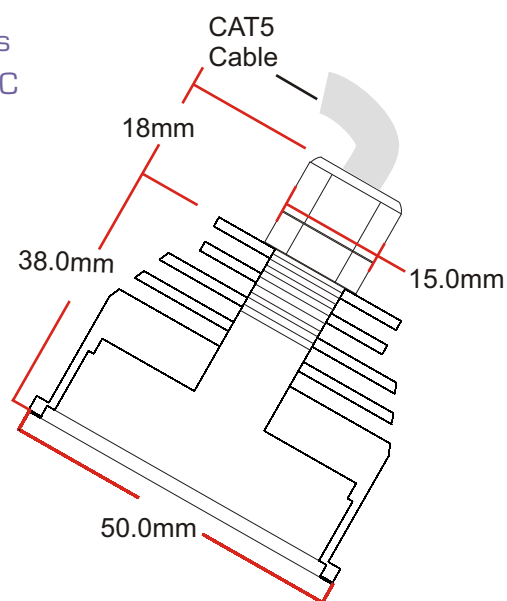
Construction	Aluminium
Flammability	94V-0 Flame Class Rating

Dimensions

Excluding Housing	50mm 56mm Depth
Including Housing	80mm 65mm Depth

Light Characteristics

Lumen Output Red	44
Lumen Output Green	40
Lumen Output Blue	12
Typical Lumen Maintenance	70% @ 50,000 Hours
Lamp Life	50,000 Hours @ 25°C

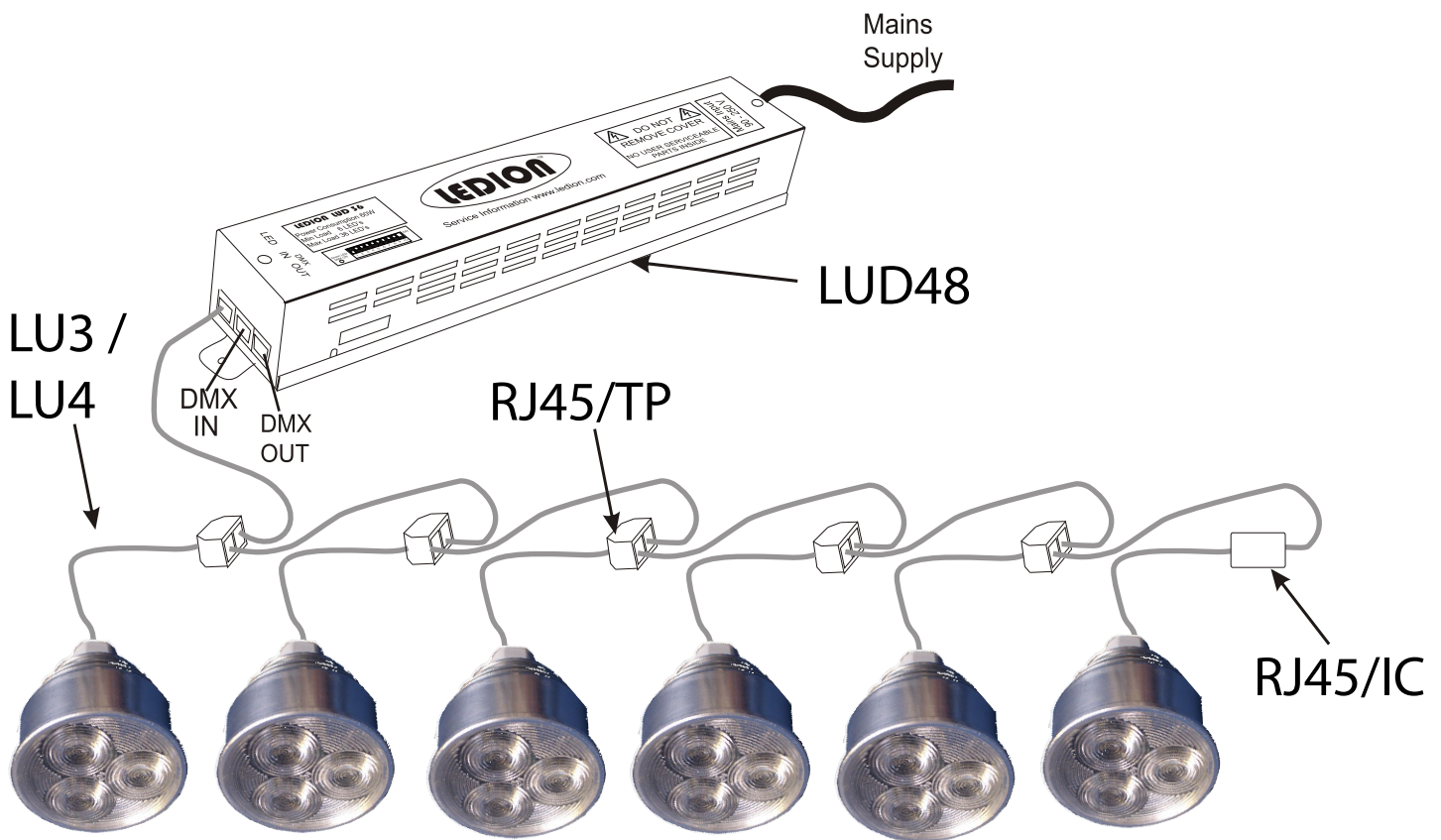




LEDION™ ULTRA

(MR 16)

Wiring Example For LU3 / LU4



Maximum 12 LU3 / LU4 Units For Each LUD48 Power Supply