

THE TRISTAR® SERIES

Color-changing



TRISTAR®-E27-RGB
TRISTAR®-E27-RGB-F



TRISTAR®-E27-RGB 5W LED Lamps

TriStar® E27-RGB and TriStar®-E27-RGB-F lamps can be controlled by the TriStar IR-1627 Remote Controller. TriStar®-E27-RGB-F lamps can be synchronized when multiple lamps are connected to the same AC power source.

TRISTAR®-E27-RGB

Features

- High power 5W LED
- High luminous intensity output
- Min. 70% lumen maintenance after 35,000 hours
- Higher energy efficiency than incandescent and halogen lamps
- Cool beam (no UV or thermal radiation)
- Package mode: R-G-B multi-dies package
- Safety compliance: CE; RoHS compliant; EU-LVD conformity

TRISTAR®-E27-RGB-F

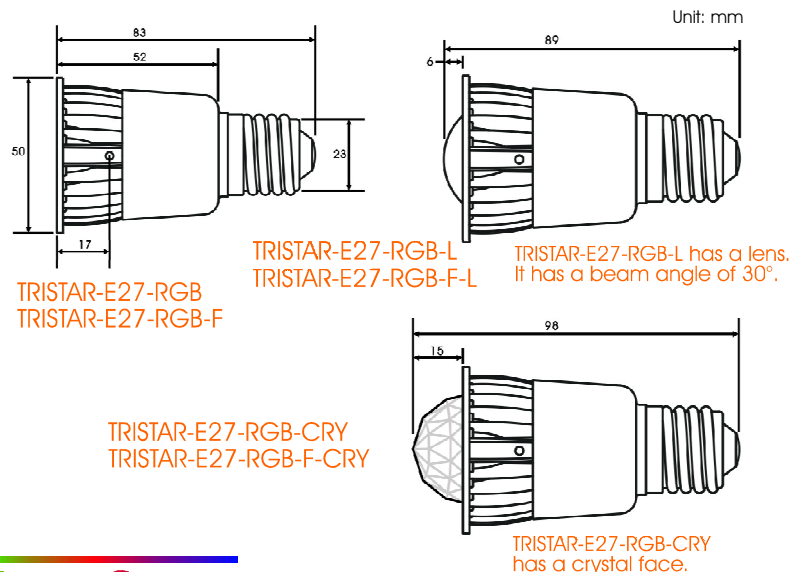
Special Feature

- TRISTAR®-E27-RGB-F lamps have a special frequency function that auto-synchronizes the lamps when multiple lamps are connected to the same AC power source.

ELECTRONIC SPECIFICATIONS

PARAMETERS	TRISTAR-E27-RGB
ELECTRICAL:	
Power Supply Voltage (Typ.)	100 VAC ~ 240 VAC
Power Supply Current	<100mA
Power Consumption	<5W
FUNCTIONS:	
Color Change Method	Power ON-OFF 1 sec. change color 5 sec. change color
Color Change Mode	Fade change Smooth change
Default Mix Color	16 colors
OPTICAL:	
Operating Life	>35,000 hrs.
Beam Angle (without lens)	60°
Beam Angle (with lens)	30°
ENVIRONMENT:	
Operation Temperature	-20~50°C
Storage Temperature	-40~60°C
Operation Humidity	10~90%

DIMENSIONS DIAGRAMS



ColorStars Group

Taiwan Operations:

Color Stars, Inc.

10F, No. 566 Jung Jeng Rd. Sindian City

Taipei County 231, Taiwan, R.O.C.

Tel: +886-2-8667-6600 Fax: +886-2-8667-1400

Email: sales@colorstars.com Website: www.colorstars.com

Headquarters:

ColorStars Group

300 Center Ave., Suite 202

Bay City, MI 48708 USA

Tel: 989-509-5924 Fax: 989-509-5924

Email: sales@colorstars.com Website: www.colorstars.com