



Spec No.	Date	Page	Ver.
A-X07-001-00	2007/1/25	1/6	B-00

# PRODUCT SPECIFICATION

## For LED LIGHTING

**PART NO. : EG5-18DZ04x-EA0**

### PRODUCT DESCRIPTION:

4 LEDs Module

EOI			CUSTOMER APPROVED
ACTION	NAME	DATE	
PREPARED	<i>Cathy Huang</i>	2007/1/25	
CHECKED	<i>Jay Lee</i>	2007/1/25	
APPROVED	<i>Ader Wu</i>	2007/1/25	



#### Headquarters

5F, No. 1, Creation Road II, Hsinchu Science Park,  
Hsinchu, Taiwan 300, R.O.C.  
Tel : 886-3-5679000 Fax: 886-3-5679999  
E-mail: Service@eoi.com.tw http://www.eoi.com.tw

#### U.S. Office

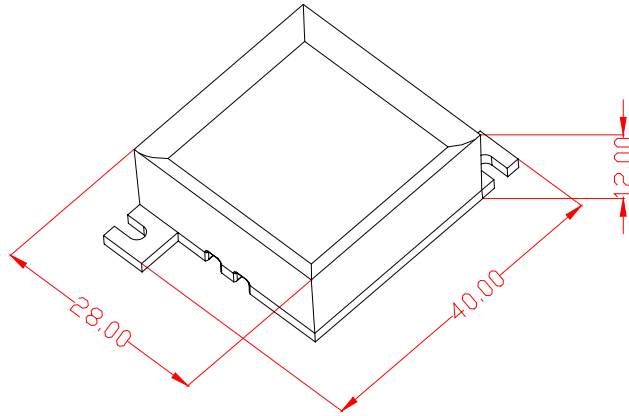
1400 W. Lambert Road, Suite B,  
Brea, CA92821, U.S.A.  
Tel : 1-562-694-1246 Fax: 1-562-691-3087  
E-mail: Sales@eoius.com http://www.eoi-us.com

#### China Factory

No.15 Bldg., Tongfuyu Ind. Park, Longhua,  
Shenzhen, P.R.C.  
Tel : 86-755-28140029 Fax: 86-755-28140027  
E-mail: Service@eoi.com.tw http://www.eoi.com.tw

Spec No.	Date	Page	Ver.
A-X07-001-00	2007/1/25	2/6	B-00

■ **Product Dimensions**



Note:

1. All dimensions unit are in mm.
2. The tolerance is +/- 0.5mm unless otherwise noted.

■ **Product Picture**



Spec No.	Date	Page	Ver.
A-X07-001-00	2007/1/25	3/6	B-00

## ■ Features

- ◆ High Intensity
- ◆ Low Power Consumption
- ◆ Energy Saving
- ◆ Long Life

## ■ Application

- ◆ City Beautification
- ◆ Advertising
- ◆ Landscape lighting
- ◆ Board display
- ◆ Other light sources

## ■ Device Selection Guide

Part No.	Color	LED Quantity (pcs)	Total Flux (lm) (Typ.) <sup>[1]</sup>	Safety Grade
EG5-18DZ04R-EA0	Red	4	6	IP67
EG5-18DZ04Y-EA0	Yellow	4	6	IP67
EG5-18DZ04F-EA0	Green	4	1.5	IP67
EG5-18DZ04B-EA0	Blue	4	5	IP67
EG5-18DZ04W-EA0	White	4	8	IP67

Note: [1] The typical value is only for application reference. The values may have different rank distribution in every shipment. If you have any special request, please contact with our salesmen.

Spec No.	Date	Page	Ver.
A-X07-001-00	2007/1/25	4/6	B-00

**■ Absolute Maximum Ratings at  $T_A=25^\circ\text{C}$**

Items	Symbol	Values	Units
Input Voltage (DC)	V <sub>idc</sub>	19	V
Power Dissipation (Red & Yellow)	P <sub>D</sub>	0.95	W
Power Dissipation (Green & Blue & White)	P <sub>D</sub>	0.65	W
LED Junction Temperature	T <sub>J</sub>	125	°C
Module Operating Temperature <sup>[1]</sup>	T <sub>OPR</sub>	-15 ~ + 50	°C
Storage Temperature Range	T <sub>STO</sub>	-40 ~ + 80	°C

Note: [1]The junction temperature of LED chip should be taken care to maintain long life performance. When the LED works at higher operation temperature, the junction temperature of LED may exceed maximum limitation. That will reduce the life of product.

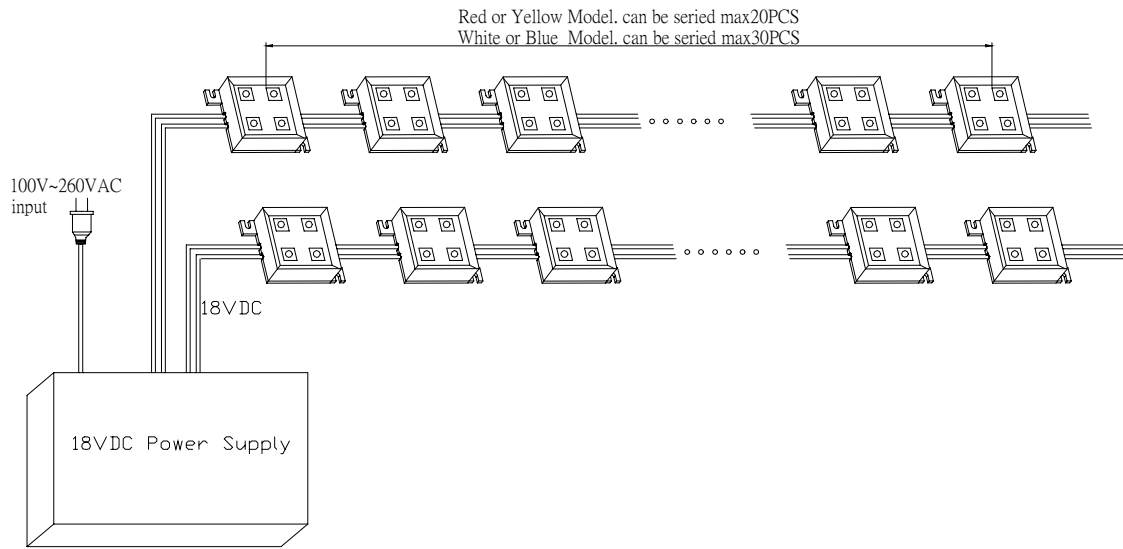
**■ Typical Specification at  $T_A=25^\circ\text{C}$**

Items	Symbol	Min.	Typ.	Max.	Units
LED Module Power Consumption (Red & Yellow)	P <sub>m</sub>	0.65	0.72	0.80	W
LED Power Consumption (Green & Blue & White)	P <sub>m</sub>	0.43	0.48	0.54	W
Input Voltage DC) <sup>[1]</sup>	V <sub>i</sub>	17.5	18	18.5	V
Viewing Angle	VA	---	90	---	Deg.
Net Weight	Wei.	---	20	---	g
Surface Temperature in Operation Condition	T <sub>SUR</sub>	---	---	70	°C

Note: [1] It is recommended to use the typical input voltage to drive LED module. The unsuitable input voltage will damage the LED or reduce the life of product.

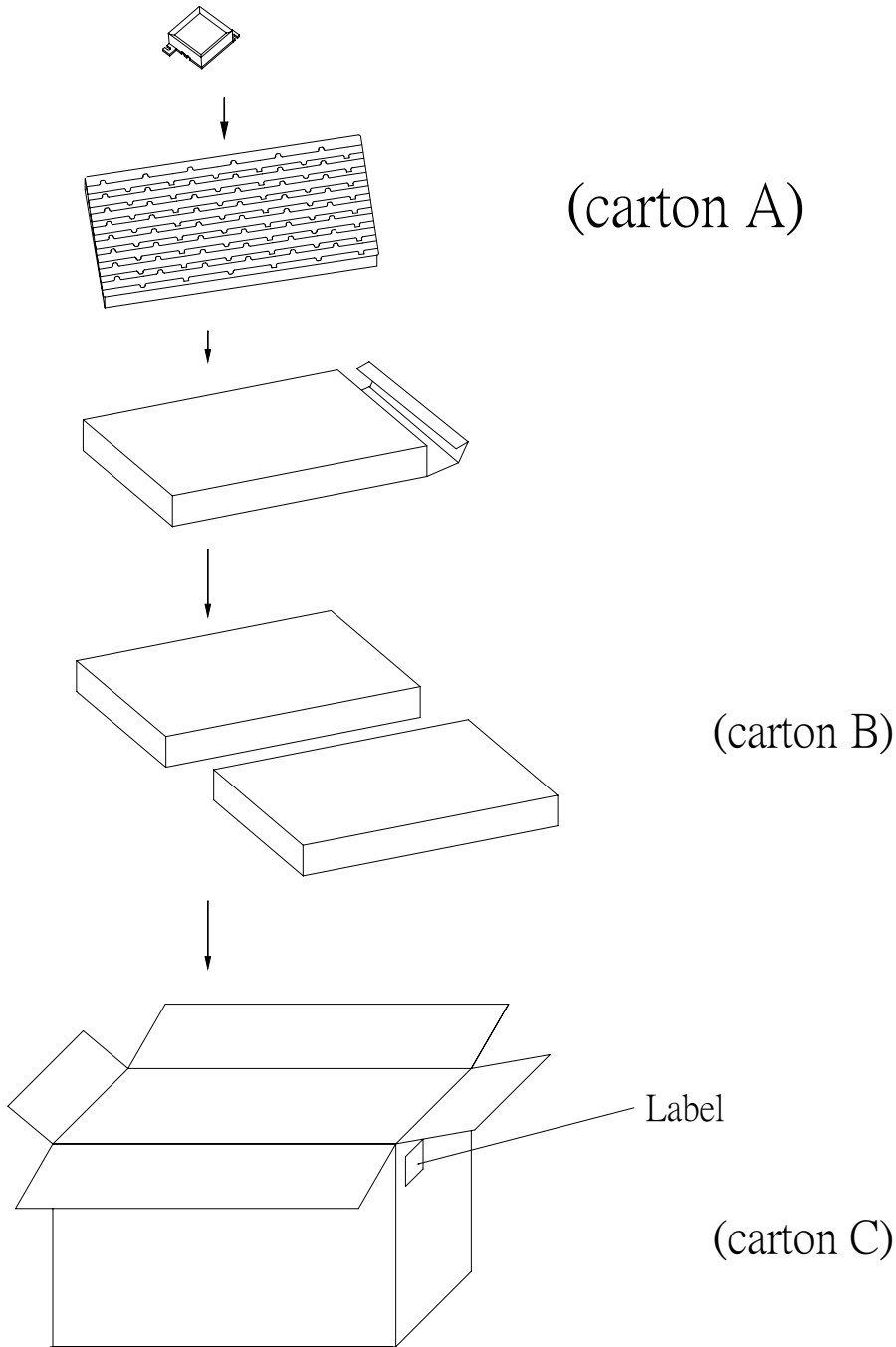
Spec No.	Date	Page	Ver.
A-X07-001-00	2007/1/25	5/6	B-00

■ **Application Diagram**



Spec No.	Date	Page	Ver.
A-X07-001-00	2007/1/25	6/6	B-00

**Shipment Package**



**Notes:**

- (1) The carton A Packing quantity: 80pcs.
- (2) The carton C contain 10 carton B, and the carton B contains 1 carton A at maximum.