



Spec No.	Date	Page	Ver.
A-X04-006-00	2007/1/29	1/5	A-01

PRODUCT SPECIFICATION

For LED LIGHTING

PART NO. : EGG-12DZ12x-EA0

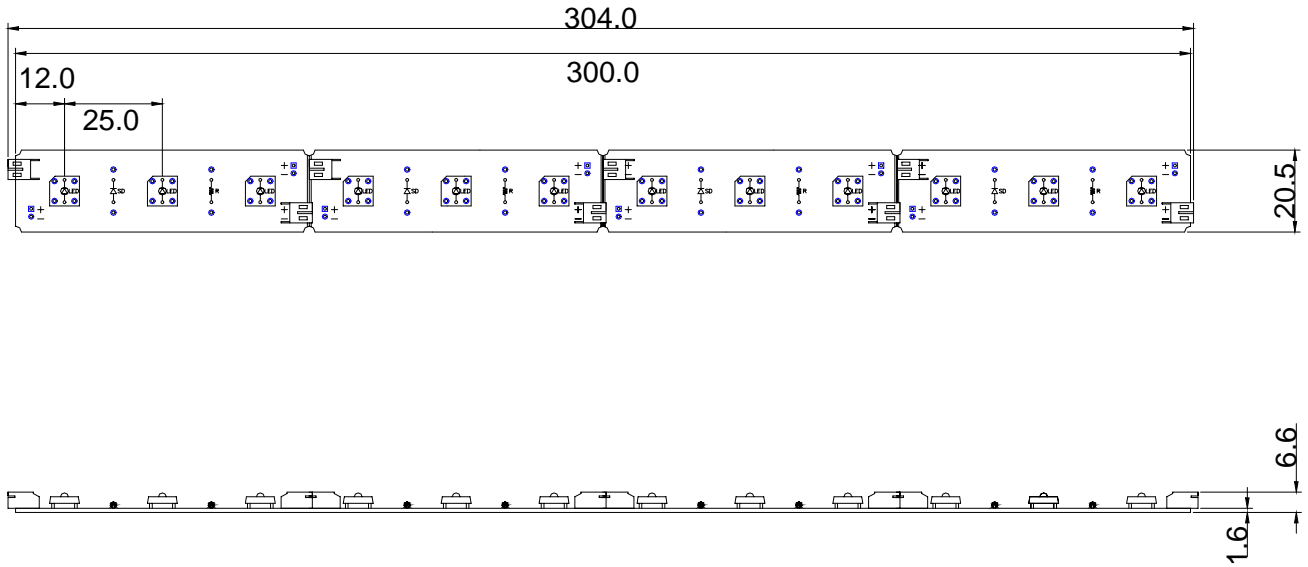
PRODUCT DESCRIPTION:

Light Bar Module

EOI			CUSTOMER APPROVED
ACTION	NAME	DATE	
PREPARED	<i>Cathy Huang</i>	<i>2007/1/29</i>	
CHECKED	<i>Jay Lee</i>	<i>2007/1/29</i>	
APPROVED	<i>Ader Wu</i>	<i>2007/1/29</i>	

Spec No.	Date	Page	Ver.
A-X04-006-00	2007/1/29	2/5	A-01

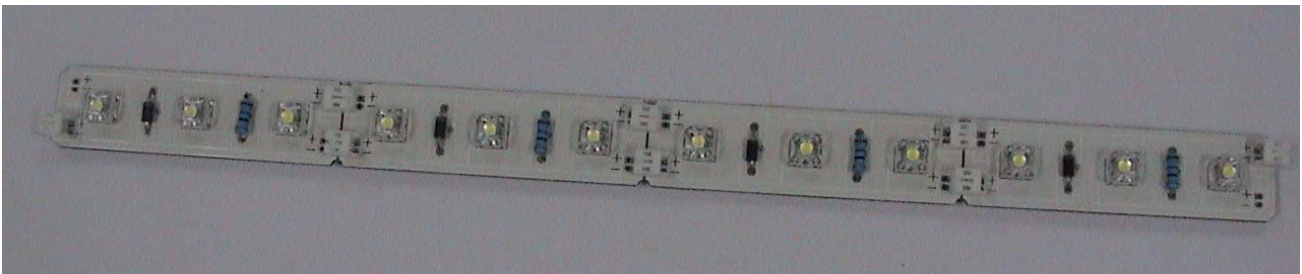
Product Dimensions



Note:

1. All dimensions unit are in mm.
2. The tolerance is +/- 0.5mm unless otherwise noted.

Product Picture



Spec No.	Date	Page	Ver.
A-X04-006-00	2007/1/29	3/5	A-01

■ Features

- ◆ High Intensity
- ◆ Low Power Consumption
- ◆ Energy Saving
- ◆ Long Life

■ Application

- ◆ Channel Letter
- ◆ Decoration Lighting
- ◆ Large Area Back Lighting
- ◆ Specialty Lighting
- ◆ Neon Light Replacement

■ Device Selection Guide

Part No.	Color	Dominant Wavelength λ_D (nm) or CCT(K) ^[1] (Typ.) ^[2]	Total Flux (lm) (Typ.) ^[2]
EGG-12DZ12R-EA0	Red	625	18
EGG-12DZ12Y-EA0	Yellow	590	18
EGG-12DZ12F-EA0	Green	525	18
EGG-12DZ12B-EA0	Blue	470	6
EGG-12DZ12W-EA0	White	5500 ^[1]	24

Note: [1] means the CCT, correlated color temperature. The unit of CCT is K degree.

[2] The typical value is only for application reference. The values may have different rank distribution in every shipment. If you have any special request, please contact with our salesmen.

Spec No.	Date	Page	Ver.
A-X04-006-00	2007/1/29	4/5	A-01

■ **Absolute Maximum Ratings at $T_A=25^\circ\text{C}$**

Items	Symbol	Values	Units
Input Voltage (DC)	V _{idc}	14	V
Power Dissipation	P _D	2	W
LED Junction Temperature	T _J	125	°C
Operating Temperature ^[1]	T _{OPR}	-30 ~ + 50	°C
Storage Temperature Range	T _{STO}	-40 ~ + 80	°C

Note: [1]The junction temperature of LED chip should be taken care to maintain long life performance. When the LED works at higher operation temperature, the junction temperature of LED may exceed maximum limitation. That will reduce the life of product.

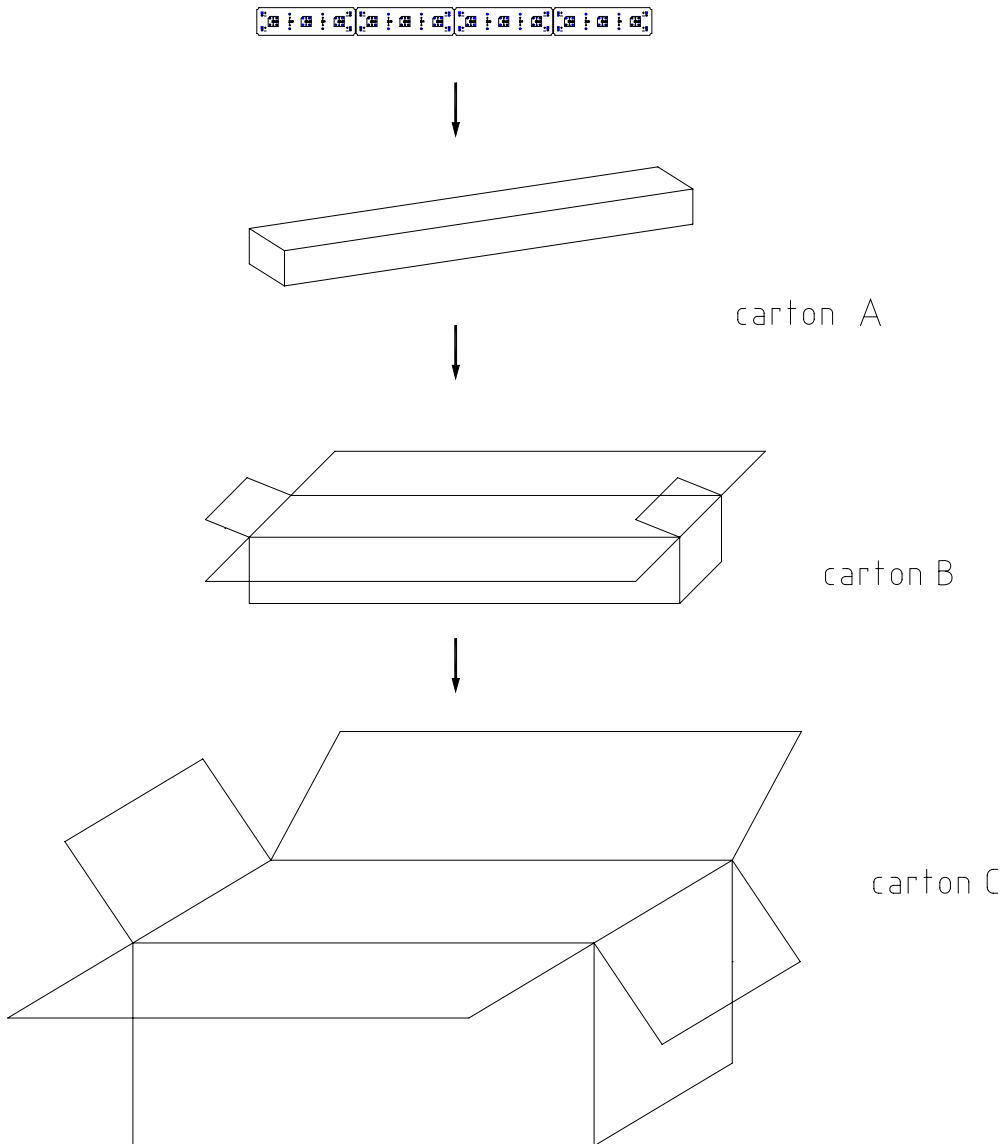
■ **Typical Specification at $T_A=25^\circ\text{C}$**

Items	Symbol	Min.	Typ.	Max.	Units
Power Consumption	P _m	---	1.3	---	W
Input Voltage(DC) ^[1]	V _i	10	12	14	V
Viewing Angle	VA	---	60	---	Deg.
Net Weight	Wei.	---	29.5	---	g

Note: [1] It is recommended to use the typical input voltage to drive LED module. The unsuitable input voltage will damage the LED or reduce the life of product.

Spec No.	Date	Page	Ver.
A-X04-006-00	2007/1/29	5/5	A-01

Shipment Package



Notes:

- (1) Carton A packing quantity: 1pcs.
- (2) The carton C contains 16 cartons B, and the carton B contains 20 cartons A at maximum.