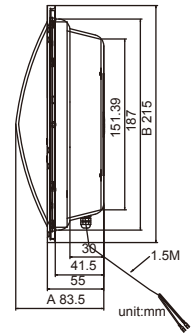
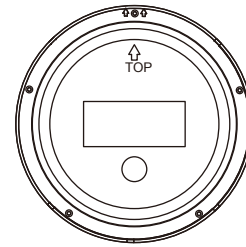




Arrow Signals

Specifications

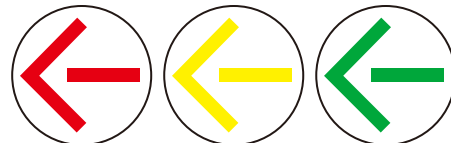
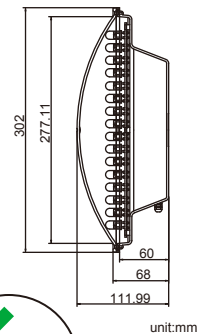
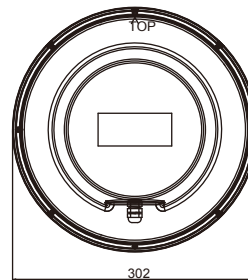
- Operates at -40°C to +74°C.
- UV stabilized scratch resistant shell.
- Operating Voltage Range: 80V~250V.
- Moisture and Dust Ingress: Meet IP65.



Color	Model Number	Description	Size	Power Consumption (Watt)	Luminous Intensity (cd)
Green	TRA-G08DF-N2	8" Arrow	8" /200 mm	< 12	200
Amber	TRA-Y08DF-N2	8" Arrow	8" /200 mm	< 10	200
Red	TRA-R08DF-N2	8" Arrow	8" /200 mm	< 10	200

Specifications

- Operates at -40°C to +74°C.
- UV stabilized scratch resistant shell.
- Operating Voltage Range: 80V~250V.
- Moisture and Dust Ingress: Meet IP65.



Color	Model Number	Description	Size	Power Consumption (Watt)	Luminous Intensity (cd)
Green	TRA-G12DF-T2	12" Arrow	12" /300 mm	< 10	150
Amber	TRA-Y12DF-T2	12" Arrow	12" /300 mm	< 9	150
Red	TRA-R12DF-T2	12" Arrow	12" /300 mm	< 9	150

Headquarters

5F, No. 1, Creation Road II, Hsinchu Science Park,
Hsinchu, Taiwan 300, R.O.C.
Tel : 886-3-5679000 Fax: 886-3-5679999
E-mail: Service@eoi.com.tw http://www.eoi.com.tw

U.S. Office

1400 W. Lambert Road, Suite B,
Brea, CA92821, U.S.A.
Tel : 1-562-694-1246 Fax: 1-562-691-3087
E-mail: Sales@eoius.com http://www.eoi-us.com

China Factory

Lianxinfeng Opto. Co., Ltd.
Bldg. No. 15, Tongfuyu Industrial Park,
Longhua, Shenzhen, P.R.C.
Tel : 86-755-2814-0029 Fax: 86-755-2814-0027



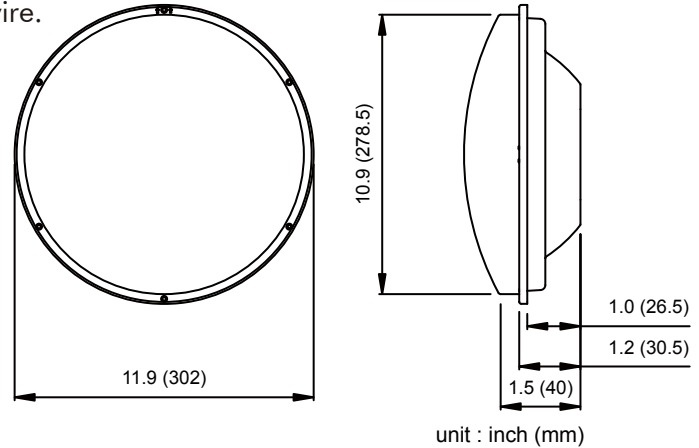
12 Inch Incandescent Look LED Arrow Signals

Features/Benefits

- 90% reduction in power vs. incandescent.
- Long life ; Up to 10 times longer than incandescent.
- Uniform non-pixelated illumination and incandescent look.
- Expanded view radiation pattern suitable for span wire.
- Easy to install into existing signal enclosure.

Specifications

- Operates at -40°C to +74°C.
- UV stabilized scratch resistant shell.
- Fuse and transient suppressor incorporated for line and load protection.
- Power Factor greater than 0.9.
- Operating Voltage Range: 80V~135V.
- Total Harmonic Distortion < 20%.
- Meet Fcc Title 47. Subpart B Section 15 Regulations for Electrical Noise.
- Turn on / Turn off Time < 75 msec.
- Conform to MIL-STD-810F for blowing rain.
- Conform to MIL-STD-883, Test method 2007, For mechanical vibration.
- Conform to MIL-STD-883, Test method 1010, Temperature cycling requirement.



Color	Model Number	Lens Type	Size	Power Consumption Typical(Watt)	Dominant Wavelength Typical(nm)	Peak Minimum Maintained Luminous Intensity (cd)	Meet ITE/Caltrans Spec.
Red	TRA-R12DG-IN	Tinted	12" / 300 mm	6.5	623	58	✓
Amber	TRA-Y12DG-IN	Tinted	12" / 300 mm	9	590	146	✓
Green	TRA-G12DG-IN	Tinted	12" / 300 mm	6.5	500	76	✓
Green	TRA-G12DG-IN-C	Clear	12" / 300 mm	6.5	500	76	✓

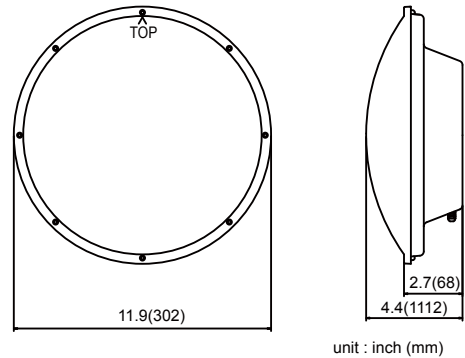


Meet Caltrans, ITE Signals

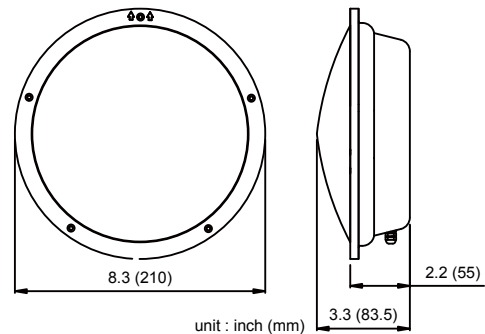
Specifications

- Operates at -40°C to $+74^{\circ}\text{C}$.
- UV stabilized scratch resistant shell.
- Fuse and transient suppressor incorporated for line and load protection.
- Power Factor greater than 0.9.
- Operating Voltage Range: 80V~135V.
- Total Harmonic Distortion < 20%.
- Meet Fcc Title 47. Subpart B Section 15 Regulations for Electrical Noise.
- Turn on / Turn off Time < 75 msec.
- Voltage Turn off < 70 V.

12" Vehicle Traffic Signals



8" Vehicle Traffic Signals



Color	Model Number	Description	Size	Power Consumption (Watt)	Dominant Wavelength (nm)	Minimum Luminous Intensity
Red	TRV-R12EG-A	12" Ball	12" (300 mm)	< 11	≥ 623	399 cd
Red	TRA-R12DG-G	12" Arrow	12" (300 mm)	< 9	≥ 623	5500 cd/m ²
Red	TRV-R08EG-J	8" Ball	8" (200 mm)	< 8	≥ 623	157 cd
Amber	TRV-Y12EG-A1	12" Ball	12" (300 mm)	< 15	586~592	798 cd
Amber	TRA-Y12DG-G	12" Arrow	12" (300 mm)	< 9	586~592	11000 cd/m ²
Amber	TRV-Y08EG-N2	8" Ball	8" (200 mm)	< 13	586~592	314 cd
Green	TRV-G12EG-B2	12" Ball	12" (300 mm)	< 15	499~508	798 cd
Green	TRA-G12DF-G	12" Arrow	12" (300 mm)	< 10	499~508	11000 cd/m ²
Green	TRV-G08EG-N	8" Ball	8" (200 mm)	< 12	499~508	314 cd

Headquarters

5F, No. 1, Creation Road II, Hsinchu Science Park,
Hsinchu, Taiwan 300, R.O.C.
Tel : 886-3-5679000 Fax: 886-3-5679999
E-mail: Service@eoi.com.tw http://www.eoi.com.tw

U.S. Office

1400 W. Lambert Road, Suite B,
Brea, CA92821, U.S.A.
Tel : 1-562-694-1246 Fax: 1-562-691-3087
E-mail: Sales@eoius.com http://www.eoi-us.com

China Factory

Lianxinfeng Opto. Co., Ltd.
Bldg. No. 15, Tongfuyu Industrial Park,
Longhua, Shenzhen, P.R.C.
Tel : 86-755-2814-0029 Fax: 86-755-2814-0027