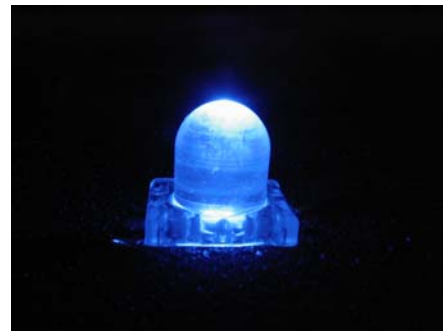
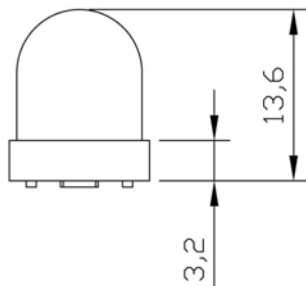
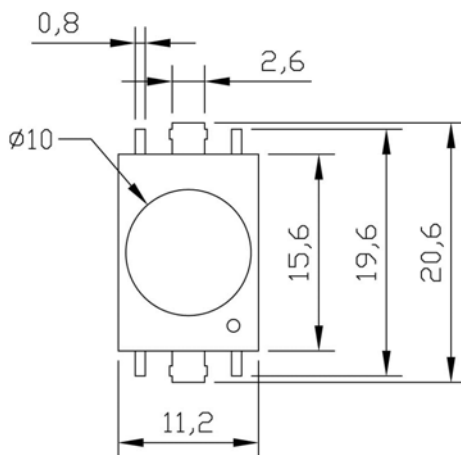




Ø10mm High Power LED

Model No. : JD201

Dimension :



SPECIFICATION

Absolute maximum rating (Ta=25°C)

Parameter	Symbol	Rating	Unit
Operating Voltage	V	3	V
Continuous Forward Current	IF	150	mA
Peak Forward Current	IFM	500	mA
Reverse Current (VR=5V)	IR	100	uA
Operating Temperature	Topr	-20 ~ +80	°C
Storage Temperature	Tstg	-25 ~ +65	°C
Soldering Temperature	Tsol	245 (5Sec)	°C



I . C . ENGINEERING LIMITED

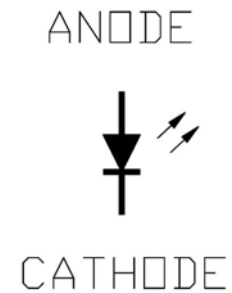
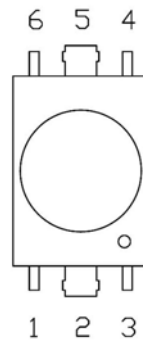
工業控制有限公司

Electrical / Optical characteristics rating (Ta=25°C)

Part number	Color	Wave Length	View Angle	Luminous Flux	Luminous Intensity
JD2012-150R1	RED	620 nm	10°	3 Lm	18cd ~ 30cd
JD2012-150B1	BLUE	470 nm	10°	2 Lm	12cd ~ 20cd
JD2012-150G1	GREEN	525 nm	10°	3 Lm	30cd
JD2012-150C1	CYAN	505 nm	10°	3 Lm	30cd
JD2012-150W	WHITE		10°	4 Lm	35cd

LED PIN ASSIGNMENT :

COLOR	R	G	B	C	A
ANODE	6	6	6	6	6
CATHODE	2	3	3	3	2
	5				5



R=RED G=GREEN B=BLUE C=CYAN A=AMBER