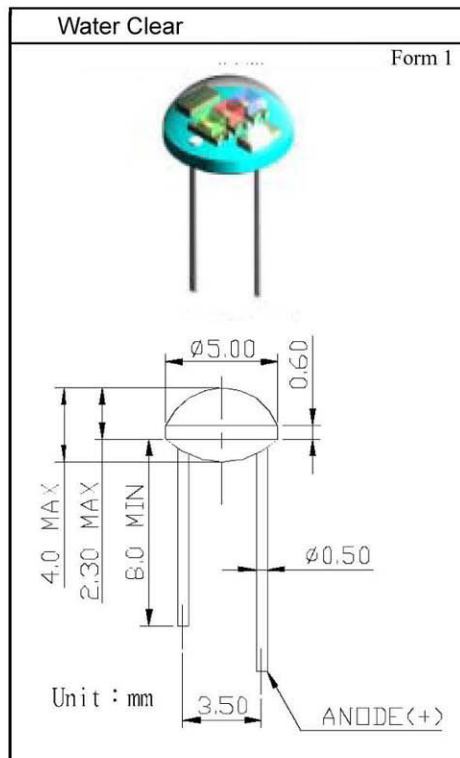


Multi-Color Flashing LED

Multi-Color Flashing 5mm LED

F45B

Specification



ELECTRO-OPTICAL CHARACTERISTICS : (Ta=25°C)

Chip			Vf(V)		Iv(mcd)		
Emitted Color	Material	λ_p (nm)	Typ	Max	At If=20mA	Min	Typ
Red	AlGaInP	635	1.9	2.1	20	350	500
Green	InGaN	525	3.1	3.5		110	180
Blue	InGaN	470	3.65	4.0		100	170

ELECTRICAL CHARACTERISTICS : (Ta=25°C)

Operating Voltage : 3V
 Static Current : $\leq 5\mu\text{A}$ (VDD = 3V)
 LED Output Current : $\geq 20\text{mA}$ (VDD = 3V)



I . C . ENGINEERING LIMITED

BLK.B, 12 FLOOR, UNIT 23, HI-TECH IND. CENTER 491-501 CASTLE PEAK RD., TSUEN WAN, N.T.

TEL. NO.: (852)2414 9121 , (852)2414 9149 FAX. NO.: (852)2412 2879

E-mail : icinfo@fbice.com