













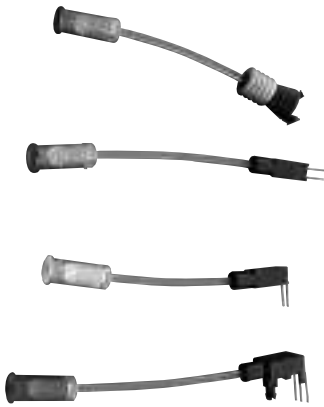


Package Outline Drawing	Part N°	Description	Page
	KTAB	Optical cable system	2÷5
	K929	Panel lens cable assembly	23
	KLX-D series	Optical light guide with lenses	24
	KPAN03x	Panel lenses for 3mm LED	9÷11
	KPAN05x	Panel lenses for 5mm LED	11÷14
	KTSE	Panel Lens IP67 waterproof	14
	KTR03x	Panel lens with light guide	10
	KTR05x	Panel Lens with light guide	12
	KPS series	Panel Light transporter	6÷7
	KPS and Kxx	Vertical Panel light pipes	8÷16÷22
	KT series	Panel light pipes from 1 to 8 positions	19÷21
	KLPxx	Divisible panel Light pipes	15÷16÷22
	KLPxx	Right angle panel light pipes	18÷22
	KPAN06x	Panel light pipes	15



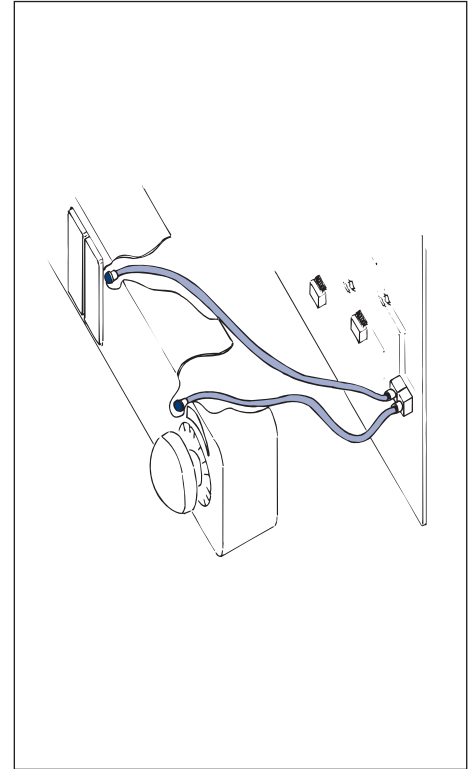
Optical cable system solves many important problems connected to: quality, reliability, low mounting costs, flexibility, on time deliveries, fast solution in your mounting system, utilization of only 3 codes for a range of own products, possibility to use the actual PCB without modifying or changing it, elimination of connection and/or soldering, transport /receive of every luminous source (visible or invisible).

Different shapes and symbols on request, 135°C operating temperature. Cold area without voltage on all panels with ESD protection.

Non conductive UL 94 V-0 Polycarbonate lenses protect static sensitive components from ESD damage, by eliminating the potential contact with circuit.

Benefit:

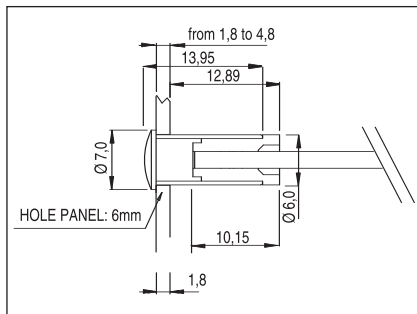
- ▶ No solder
- ▶ ESD Protection
- ▶ Secure pres fit panel mounting
- ▶ High transmissive optical grade materials
- ▶ No vibration's problems
- ▶ Water proof available
- ▶ SMD to panel



KTABL7X



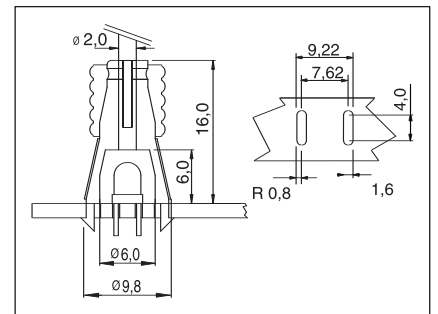
Material Specification:
PC optics UL94



KTABWR



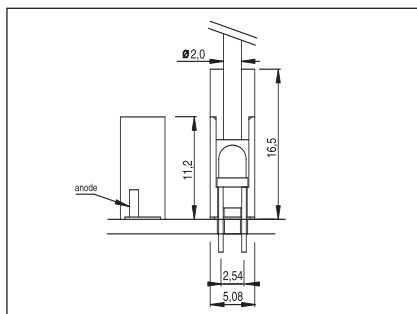
Material Specification:
PC UL94



KTABWA



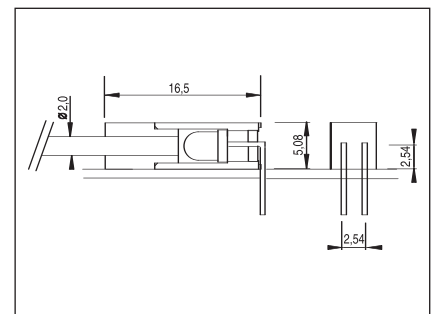
Material Specification:
PC UL94



KTABWH



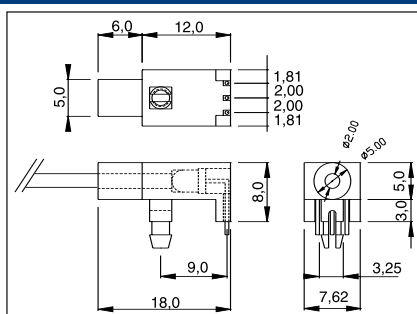
Material Specification:
PC UL94



KTABWP



Material Specification:
PC UL94



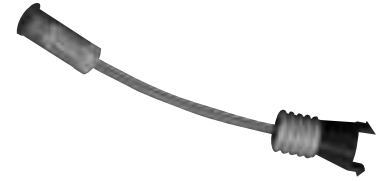
KTABC01



Material Specification:
Fiber Core: PMMA 94-HB
Diameter: 2mm

You can order each code separately, but if you want assembled kit the information to order are:

KTAB	L7X	WX	XX	XXX
Series	LENS LX = Ø 7 mm	PCB Holder - WR for all LED size (from SMD to 3 mm) - WA for 3 mm LED vertical - WH for 3 mm LED right angle - WP for 3 mm bicolour LED 3 pins	LED Type See below	Optical Cable Indicate only your length in cm



Example for code: **KTAB-L74-WH-P1-008**

KTAB	L74	WH	P1	008
Series	LENS CLEAR	PCB Holder for 3 mm LED right angle	LED 3 mm RED	Optical cable 8 cm length

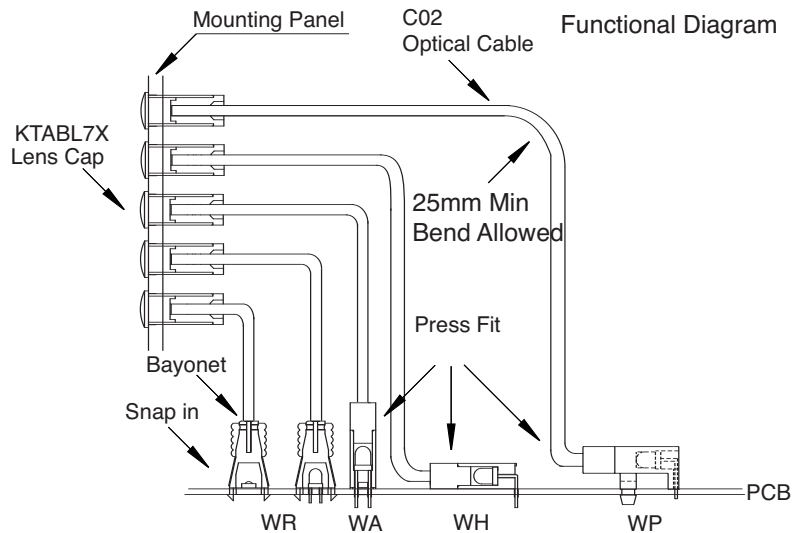


L7X LENS			
Code	Color	Ø Lens (mm)	Ø Hole (mm)
L71	Red	Ø 7	Ø 6
L72	Green	Ø 7	Ø 6
L73	Yellow	Ø 7	Ø 6
L74	Clear	Ø 7	Ø 6
L75	Blue	Ø 7	Ø 6
L76	Special Color		

PCB Holder		
Code	Material	Deflected temp.
WR	PC	135°C
WA	PC	135°C
WH	PC	135°C
WP	PC	135°C

LED		
Code	Size	Emitted Color
Q1	PLCC2	Red
Q2	PLCC2	Green
Q3	PLCC2	Yellow
Q4	PLCC2	Red/Green
Q5	PLCC2	Blue
Q6	PLCC2	White
P1	Ø 3mm	Red
P2	Ø 3mm	Green
P3	Ø 3mm	Yellow
P4	Ø 3mm	Red/Green
P5	Ø 3mm	Blue
P6	Ø 3mm	White
P7	Ø 3mm	Orange

Optical Cable					
Code	Length (mt)	Max.Atten (db/m)	Fibre Ø (mm)	Operating Temp	Option
C01	0 ÷ 250	0.2	2.00	-55°C +70°C	Available other Ø

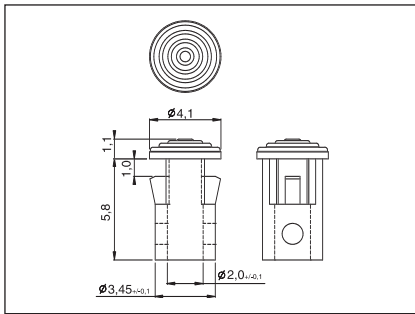


Benefits:

- ▶ No solder
- ▶ ESD Protection
- ▶ Secure pres fit panel mounting
- ▶ High transmissive optical grade materials
- ▶ No vibration's problems
- ▶ Reduced pitch
- ▶ Water proof available
- ▶ SMD to panel

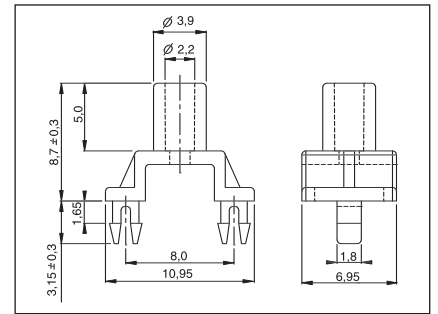
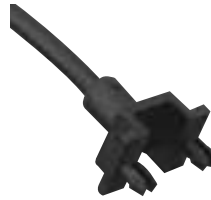


KTAB25



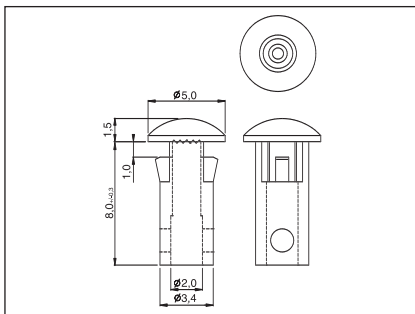
Material Specification:
PC optics UL94

KTAB21



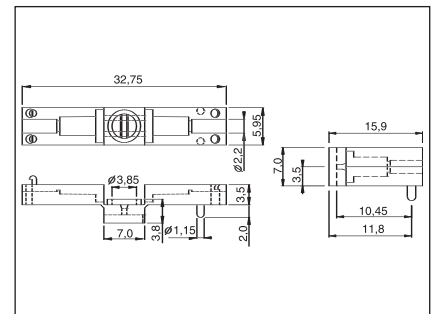
Material Specification:
PC UL94

KTAB26



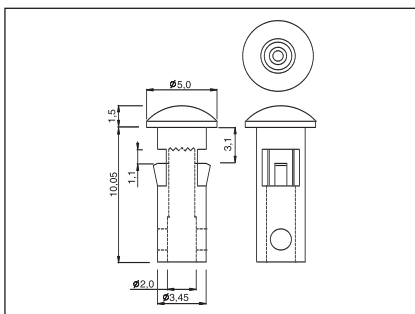
Material Specification:
PC optics UL94

KTAB22



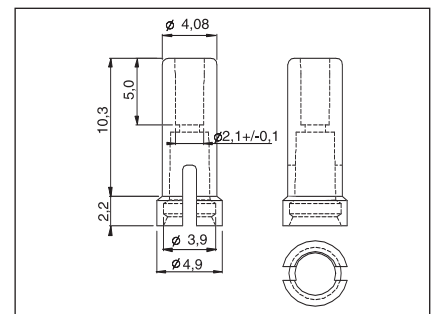
Material Specification:
PC UL94

KTAB27



Material Specification:
PC optics UL94

KTAB23



Material Specification:
PC UL94

KTABC04

Material Specification:
Fiber Core: PMMA 94-HB
Diameter: 2mm



You can order each code separately, but if you want assembled kit the information to order are:

KTAB	XX	XX	XX	XXX
Series	LENS 25 for KTAB25 lens 26 for KTAB26 lens 27 for KTAB27 lens	PCB Holder - 21 for KTAB21 (from SMD to 3 mm) - 22 for KTAB22 (for 3 mm led right angle mounting) - 23 for KTAB23 (for 3 mm led with edge)	LED Type See below	Optical Cable C04 Indicate only your length in cm



Example for code: **KTAB-L74-WH-P1-008**

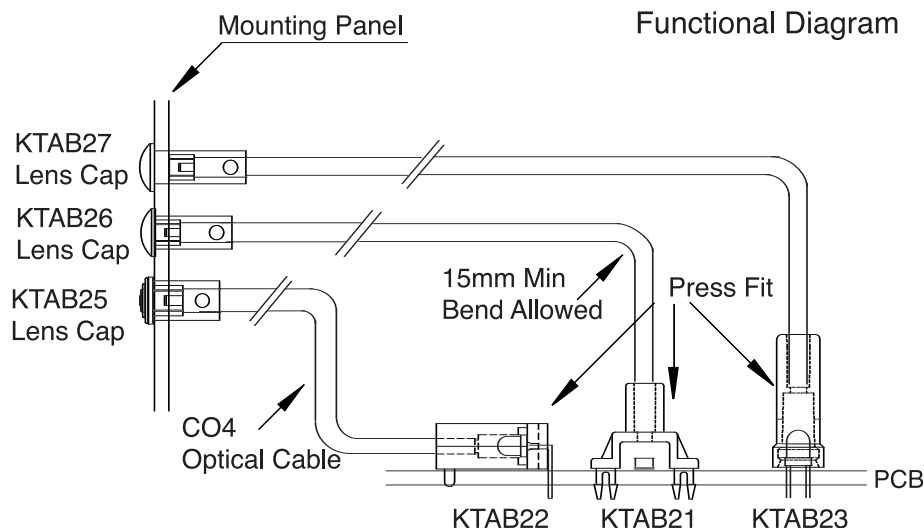
KTAB	25	22	P1	008
Series	LENS CLEAR KTAB25	PCB Holder for 3 mm LED right angle KTAB22	LED 3 mm RED	Optical cable 8 cm lenght



Code	Color	Ø Lens (mm)	Ø Hole (mm)
KTAB25	Clear	Ø 4,1	Ø 3,45
KTAB26	Clear	Ø 5,0	Ø 3,40
KTAB27	Clear	Ø 5,0	Ø 3,45

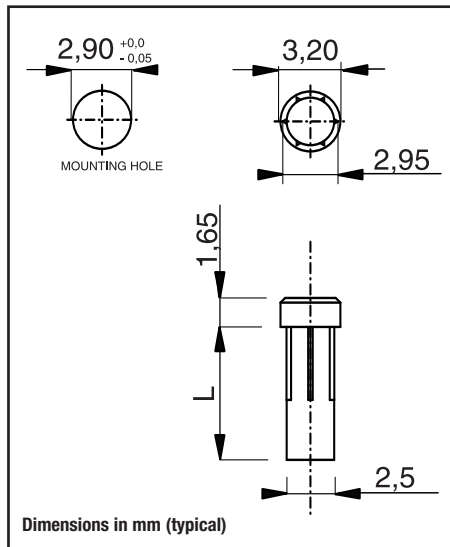
LED		
Code	Size	Emitted Color
Q1	PLCC2	Red
Q2	PLCC2	Green
Q3	PLCC2	Yellow
Q4	PLCC2	Red/Green
Q5	PLCC2	Blue
Q6	PLCC2	White
P1	Ø 3mm	Red
P2	Ø 3mm	Green
P3	Ø 3mm	Yellow
P4	Ø 3mm	Red/Green
P5	Ø 3mm	Blue
P6	Ø 3mm	White
P7	Ø 3mm	Orange

Optical Cable					
Code	Length (mt)	Max.Atten (db/m)	Fibre Ø (mm)	Operating Temp	Option
C04	0 ÷ 250	0.2	2.00	-55°C +70°C	Available other Ø





Material: PC Optics UL94 clear
Operating Temperature -60° +125°C
ESD Protection



KPS162 series

Light Guides for front panel diam. 3 mm

Code	Length (L)
KPS162/048	4,8
KPS162/070	7,0
KPS162/233	23,3
KPS162/XXX	insert your length

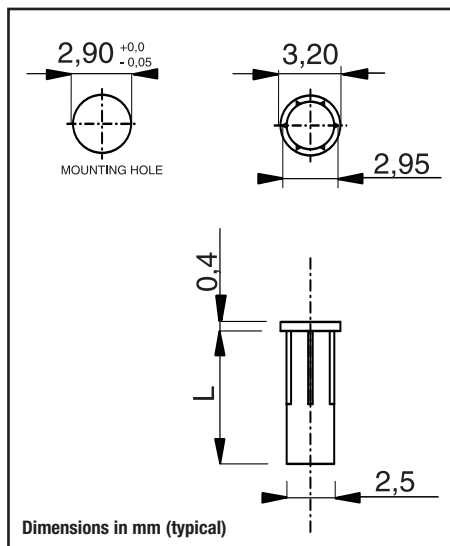
Hole panel: 2,90 mm
Panel Thickness: 3,80 mm max

OPTIONS AVAILABLE

- ◆ Different shapes and lengths
- ◆ Different fixing systems on Panel
- ◆ Special color on request.



Material: PC Optics UL94 clear
Operating Temperature -60° +125°C
ESD Protection



KPS163 series

Light Guides for front panel diam. 3 mm

Code	Length (L)
KPS163/048	4,8
KPS163/070	7,0
KPS163/233	23,3
KPS163/XXX	insert your length

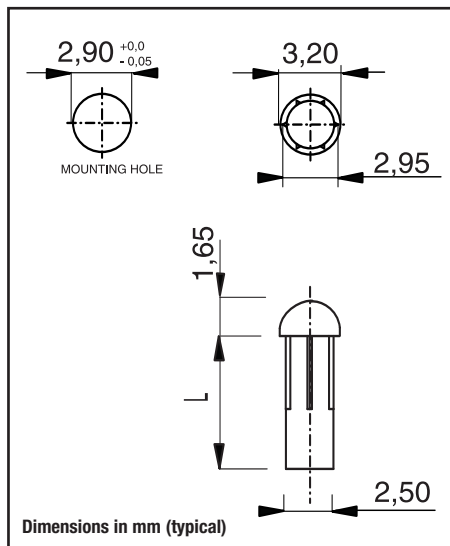
Hole panel: 2,90 mm
Panel Thickness: 3,80 mm max

OPTIONS AVAILABLE

- ◆ Different shapes and lengths
- ◆ Different fixing systems on Panel
- ◆ Special color on request.



Material: PC Optics UL94 clear
Operating Temperature -60° +125°C
ESD Protection



KPS164 series

Light Guides for front panel diam. 3 mm

Code	Length (L)
KPS164/048	4,8
KPS164/070	7,0
KPS164/233	23,3
KPS164/XXX	insert your length

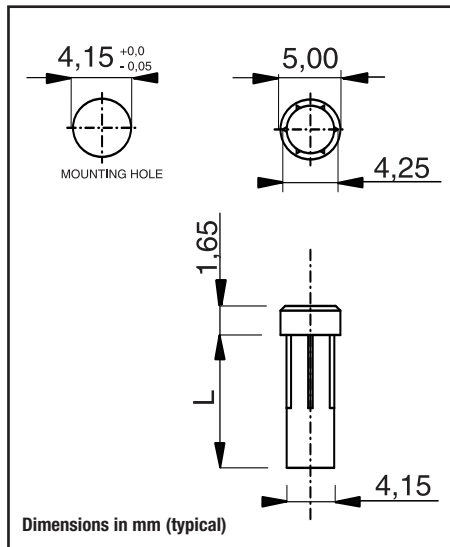
Hole panel: 2,90 mm
Panel Thickness: 3,80 mm max

OPTIONS AVAILABLE

- ◆ Different shapes and lengths
- ◆ Different fixing systems on Panel
- ◆ Special color on request.




Material: PC Optics UL94 clear
Operating Temperature -60° +125°C
ESD Protection



KPS165 series

Light Guides for front panel diam.5mm

Code	Length (L)
KPS165/070	7,0
KPS165/233	23,3
KPS165/XXX	insert your length

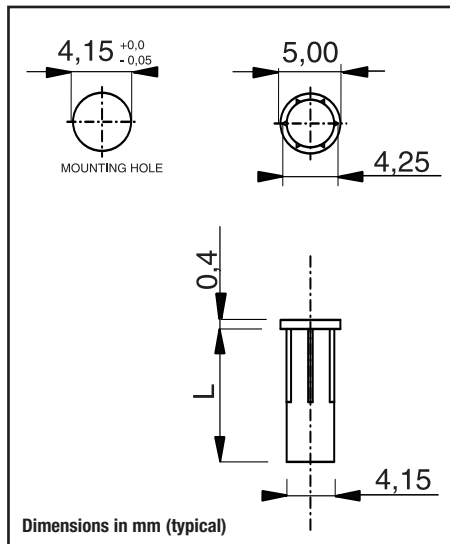
Hole panel: 4,15 mm 
Panel Thickness: 3,80 mm max

OPTIONS AVAILABLE

- ◆ Different shapes and lengths
- ◆ Different fixing systems on Panel
- ◆ Special color on request.




Material: PC Optics UL94 clear
Operating Temperature -60° +125°C
ESD Protection



KPS166 series

Light Guides for front panel diam.5mm

Code	Length (L)
KPS166/070	7,0
KPS166/233	23,3
KPS166/XXX	insert your length

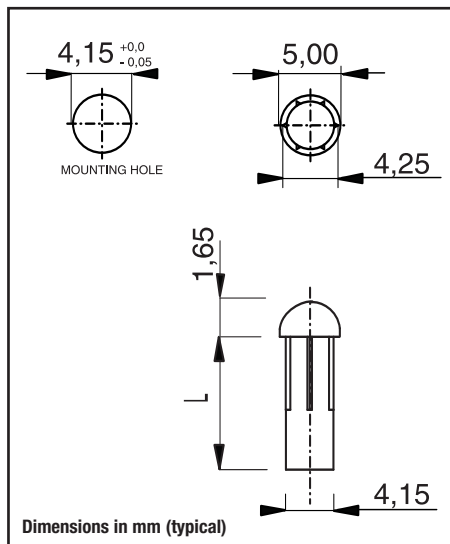
Hole panel: 4,15 mm 
Panel Thickness: 3,80 mm max

OPTIONS AVAILABLE

- ◆ Different shapes and lengths
- ◆ Different fixing systems on Panel
- ◆ Special color on request.




Material: PC Optics UL94 clear
Operating Temperature -60° +125°C
ESD Protection



KPS167 series

Light Guides for front panel diam.5mm

Code	Length (L)
KPS167/070	7,0
KPS167/233	23,3
KPS167/XXX	insert your length

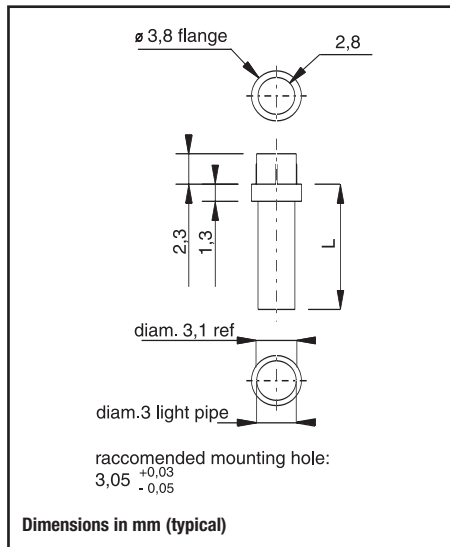
Hole panel: 4,15 mm 
Panel Thickness: 3,80 mm max

OPTIONS AVAILABLE

- ◆ Different shapes and lengths
- ◆ Different fixing systems on Panel
- ◆ Special color on request.



Material: PC Optics UL94 clear
Operating Temperature -60° +125°C
ESD Protection



KPS168 series

Light Guides for front panel diam. 3mm

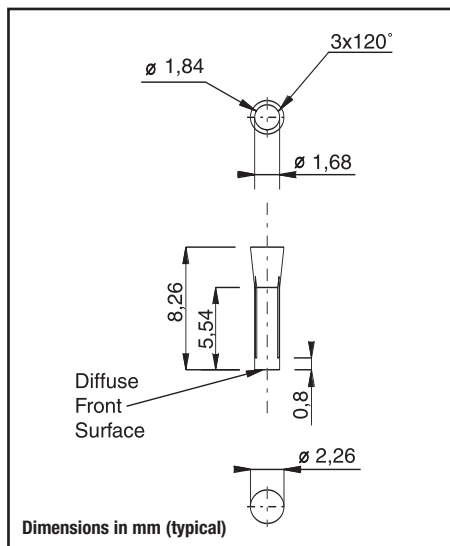
Code	Length (L)
KPS168/032	3,2
KSP168/064	6,4
KPS168/089	8,9
KPS168/095	9,5
KPS168/127	12,7
KPS168/159	15,9
KPS168/190	19,0
KPS168/210	21,0

Hole panel: 3,05 mm
Panel Thickness: 2,30 mm max

KPS169 series



Material: PC Optics UL94 clear
Operating Temperature -60° +125°C
ESD Protection



Light Guides for front panel diam. 2,26mm

Code	Color
KPS169/085	Clear transparent

Hole panel: 1,80 mm
Panel Thickness: 5,50 mm max

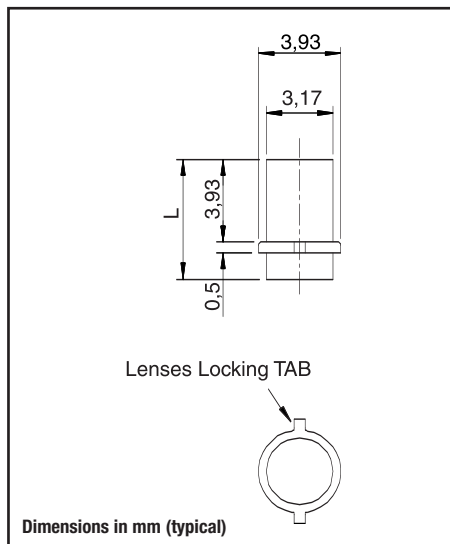
OPTIONS AVAILABLE

- ◆ Different shapes and lengths
- ◆ Different fixing systems on Panel
- ◆ Special color on request.

KPS170 series



Material: PC Optics UL94 clear
Operating Temperature -60° +125°C
ESD Protection

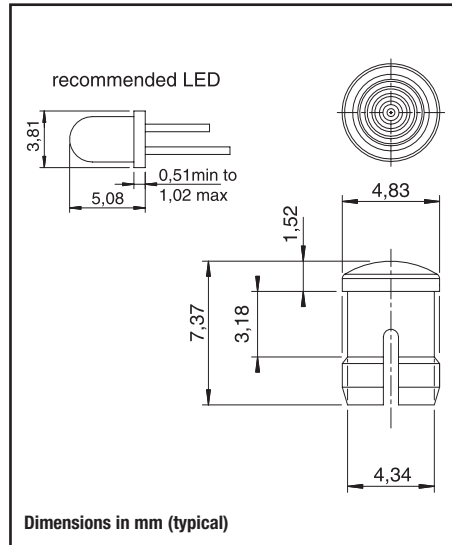


Light Guides for KPAN03X series

Code	Length (L)
KPS170/050	5,08
KSP170/101	10,16
KPS170/152	15,24
KPS170/203	20,32
KPS170/254	25,4
KPS170/304	30,48
KPS170/XXX	Your length



Material: PC Optics UL94 clear
Operating Temperature -60° +125°C
ESD Protection



KPAN031 series

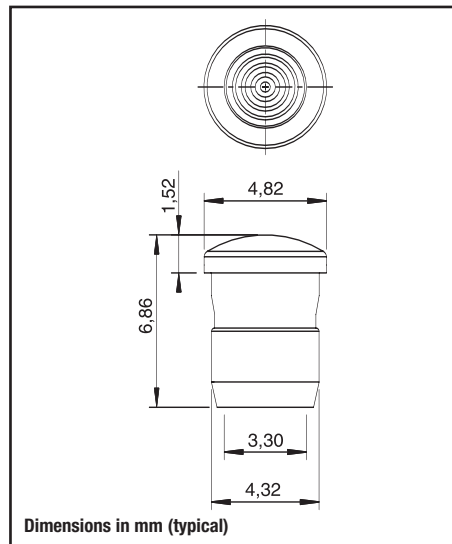
3 mm round Panel Lenses

Code	Color
KPAN031A	Amber Transparent
KPAN031B	Blue Transparent
KPAN031C	Clear Transparent
KPAN031G	Green Transparent
KPAN031R	Red Transparent
KPAN031Y	Yellow Transparent

Hole panel: 4,30 mm
Panel Thickness: 0,8÷6,3 mm
LEDs: 3 mm standard



Material: PC Optics UL94 clear
Operating Temperature -60° +125°C
ESD Protection



KPAN032 series

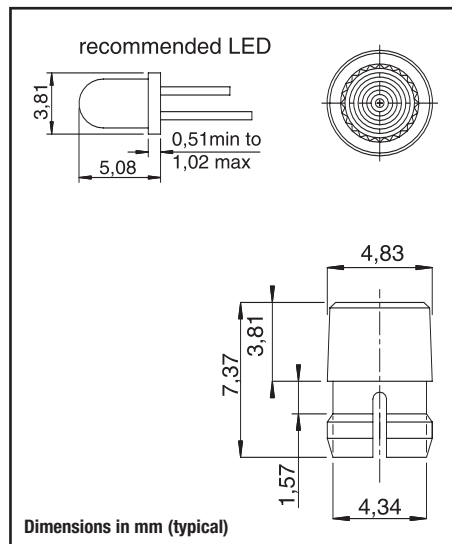
3 mm round Panel Lenses

Code	Color
KPAN032A	Amber Transparent
KPAN032B	Blue Transparent
KPAN032C	Clear Transparent
KPAN032G	Green Transparent
KPAN032R	Red Transparent
KPAN032Y	Yellow Transparent

Hole panel: 4,40 mm
Panel Thickness: 0,8÷2,3 mm
LEDs: 3 mm standard



Material: PC Optics UL94 clear
Operating Temperature -60° +125°C
ESD Protection



KPAN033 series

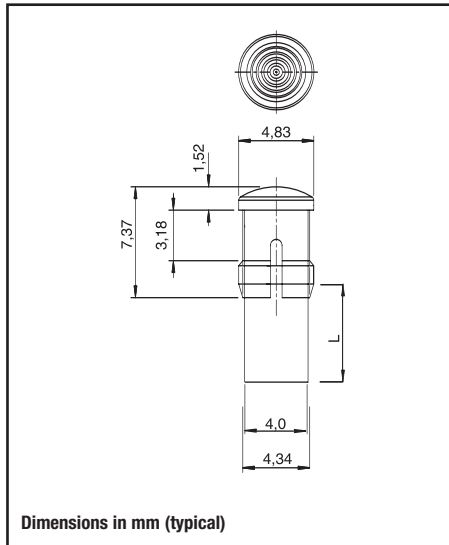
3 mm round Panel Lenses

Code	Color
KPAN033A	Amber Transparent
KPAN033B	Blue Transparent
KPAN033C	Clear Transparent
KPAN033G	Green Transparent
KPAN033R	Red Transparent
KPAN033Y	Yellow Transparent

Hole panel: 4,30 mm
Panel Thickness: 0,8÷1,6 mm
LEDs: 3 mm standard



Material: PC Optics UL94 clear
Operating Temperature -60° +125°C
ESD Protection



KTR031 series

Code: KTR031X (color of lens)/XXX (length)

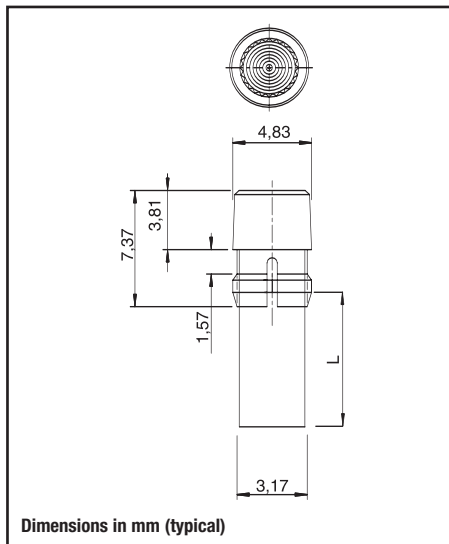
Code	Length (L)
KTR031X/006	0,63
KTR031X/057	5,71
KTR031X/107	10,79
KTR031X/158	15,87
KTR031X/209	20,95
KTR031X/260	26,03
KTR031X/XXX	Your Length

Hole: 4,3 mm Panel: 0,8÷6,3 mm

Code	Color
KTR031A	Amber Transparent
KTR031B	Blue Transparent
KTR031C	Clear Transparent
KTR031G	Green Transparent
KTR031R	Red Transparent
KTR031Y	Yellow Transparent



Material: PC Optics UL94 clear
Operating Temperature -60° +125°C
ESD Protection



KTR033 series

Code: KTR033X (color of lens)/XXX (length)

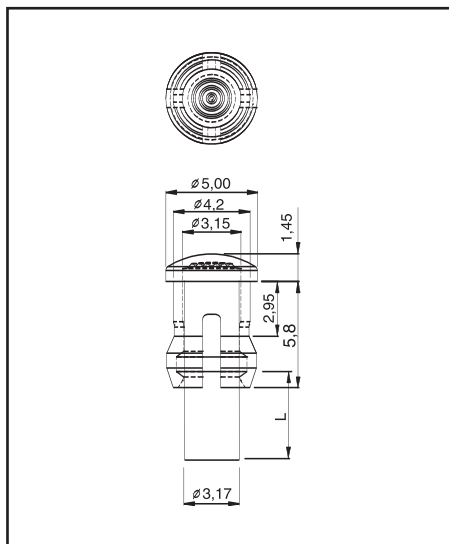
Code	Length (L)
KTR033X/006	0,63
KTR033X/057	5,71
KTR033X/107	10,79
KTR033X/158	15,87
KTR033X/209	20,95
KTR033X/260	26,03
KTR033X/XXX	Your length

Hole: 4,3 mm Panel: 0,8÷1,6 mm

Code	Color
KTR033A	Amber Transparent
KTR033B	Blue Transparent
KTR033C	Clear Transparent
KTR033G	Green Transparent
KTR033R	Red Transparent
KTR033Y	Yellow Transparent



Material: PC Optics UL94 clear
Operating Temperature -60° +125°C
ESD Protection



KTR037 series

Code: KTR037C/XXX (length)

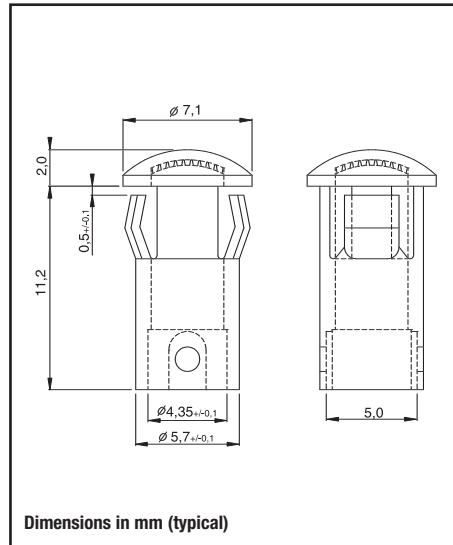
Code	Length (L)
KTR037C/006	0,63
KTR037C/057	5,71
KTR037C/107	10,79
KTR037C/158	15,87
KTR037C/209	20,95
KTR037C/260	26,03
KTR037C/XXX	Your length

Hole: 4,2 mm Panel: 0,8÷2,95 mm

Code	Color
KTR037C	Clear Transparent



Material: PC Optics UL94 clear
Operating Temperature -60° +125°C
ESD Protection



KPAN036 series

Protection

The Lenses helps prevent IC failures caused by electrostatic discharge (ESD). The Lens mounted LED helps guard components from ESD up to 16Kv while affording the LED physical protection.

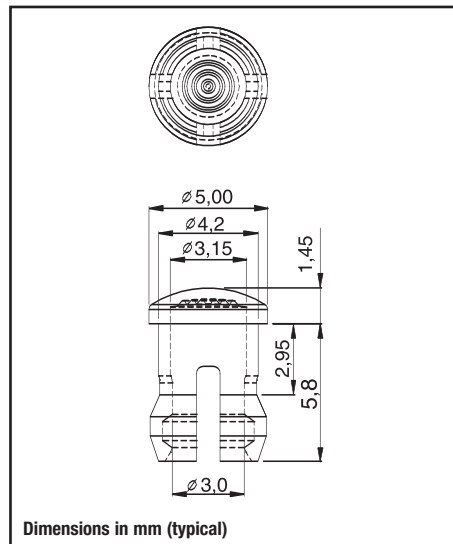
Code	Color
KPAN036C	Clear Transparent

Hole panel: 5,70 mm
Panel Thickness: 1,6÷1,8 mm max

KPAN037 series



Material: PC Optics UL94 clear
Operating Temperature -60° +125°C
ESD Protection



Brightness

When we use Lens with fresnel lens the light is distributed over the entire lens surface producing 180° of viewing.

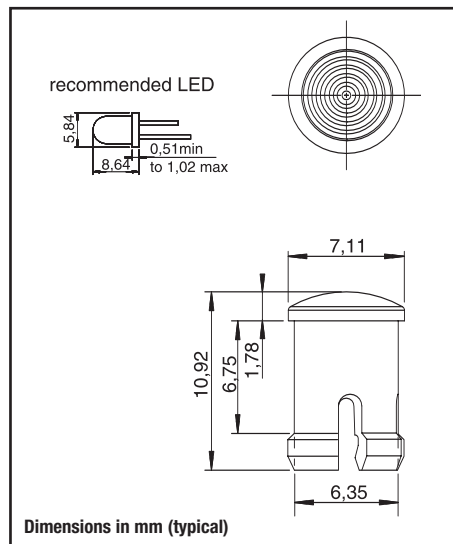
Code	Color
KPAN037C	Clear Transparent

Hole panel: 4,20 mm
Panel Thickness: 1,6÷2,95 mm max
LEDs: 3 mm standard

KPAN051 series



Material: PC Optics UL94 clear
Operating Temperature -60° +125°C
ESD Protection



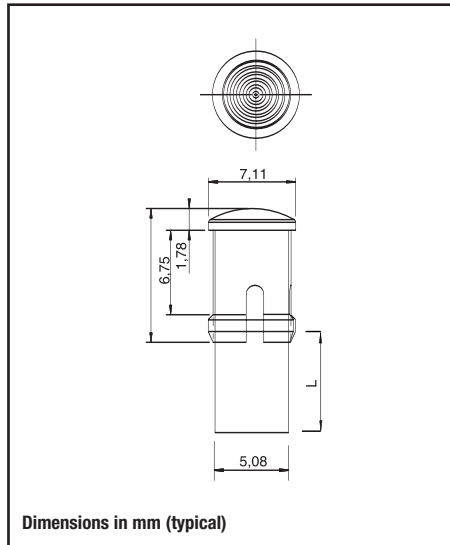
5 mm round Clip Light

Code	Color
KPAN051A	Amber Transparent
KPAN051B	Blue Transparent
KPAN051C	Clear Transparent
KPAN051G	Green Transparent
KPAN051R	Red Transparent
KPAN051Y	Yellow Transparent

Hole panel: 6,35 mm
Panel Thickness: 0,8÷6,30 mm max
LEDs: 5 mm standard



Material: PC Optics UL94 clear
Operating Temperature -60° +125°C
ESD Protection



KTR051 series

KTR051X (color of lens)/XXX (length)

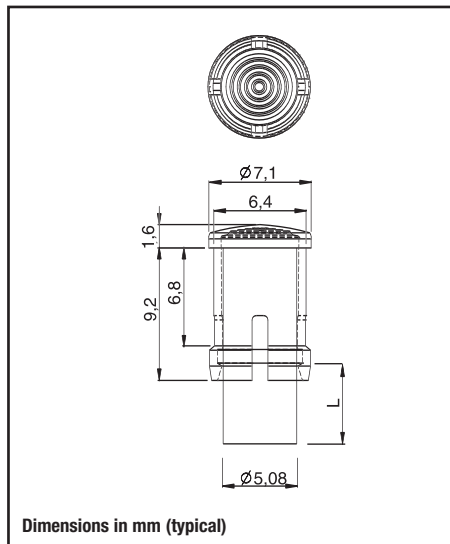
Code	Length (L)
KTR051X/010	1,01
KTR051X/060	6,09
KTR051X/111	11,17
KTR051X/162	16,25
KTR051X/213	21,33
KTR051X/264	26,41
KTR051X/XXX	Your length

Hole: 6,3 mm Panel: 0,8÷6,3 mm

Code	Color
KTR051A	Amber Transparent
KTR051B	Blue Transparent
KTR051C	Clear Transparent
KTR051G	Green Transparent
KTR051R	Red Transparent
KTR051Y	Yellow Transparent



Material: PC Optics UL94 clear
Operating Temperature -60° +125°C
ESD Protection



KTR058 series

KTR058C/XXX (length)

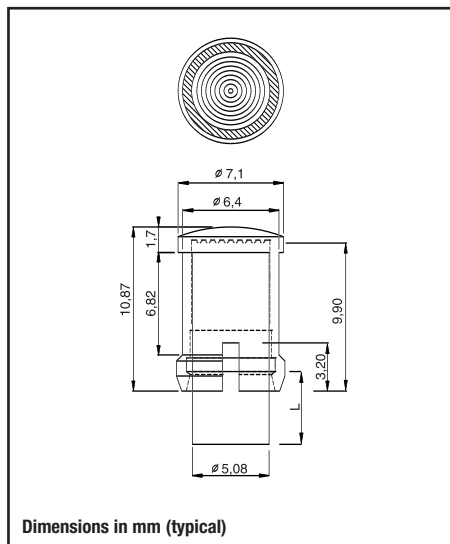
Code	Length (L)
KTR058C/010	1,01
KTR058C/060	6,09
KTR058C/111	11,17
KTR058C/162	16,25
KTR058C/213	21,33
KTR058C/264	26,41
KTR058C/XXX	Your length

Hole: 6,4 mm Panel: 0,8÷6,3 mm

Code	Color
KTR058C	Clear Transparent



Material: PC Optics UL94 clear
Operating Temperature -60° +125°C
ESD Protection



KTR059 series

KTR059C/XXX (length)

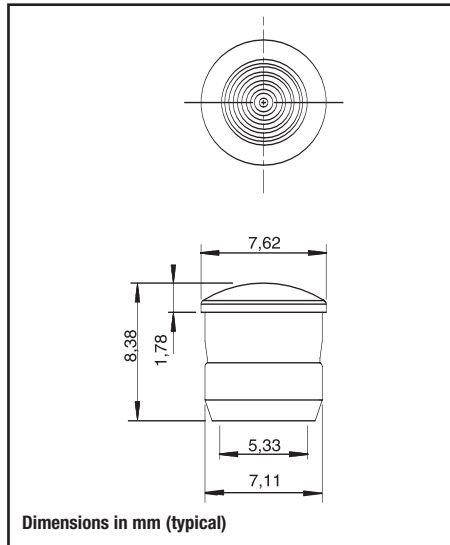
Code	Length (L)
KTR059C/010	1,01
KTR059C/060	6,09
KTR059C/111	11,17
KTR059C/162	16,25
KTR059C/213	21,33
KTR059C/264	26,41
KTR059C/XXX	Your length

Hole: 6,4 mm Panel: 0,8÷6,3 mm

Code	Color
KTR059C	Clear Transparent




Material: PC Optics UL94 clear
Operating Temperature -60° +125°C
ESD Protection



KPAN052 series

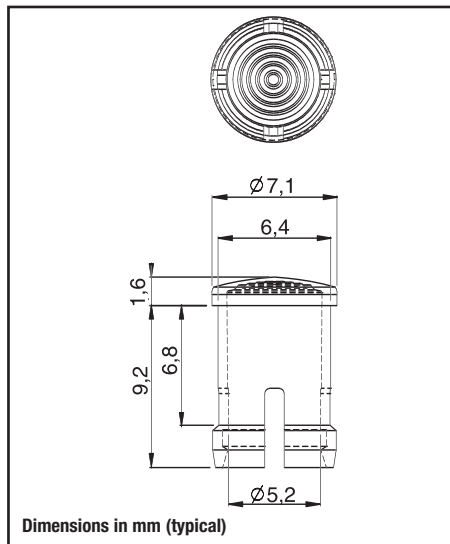
5 mm LEDs Panel Lenses

Code	Color
KPAN052A	Amber Transparent
KPAN052B	Blue Transparent
KPAN052C	Clear Transparent
KPAN052G	Green Transparent
KPAN052R	Red Transparent
KPAN052Y	Yellow Transparent

Hole panel: 7,11 mm 
Panel Thickness: 2,67 mm max
LEDs: 5 mm standard



Material: PC Optics UL94 clear
Operating Temperature -60° +125°C
ESD Protection




KPAN058 series

Protection

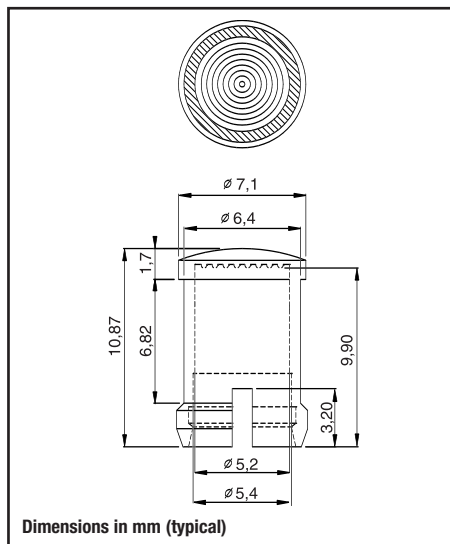
The Lenses helps prevent IC failures caused by electrostatic discharge (ESD). The Lens mounted LED helps guard components from ESD up to 16Kv while affording the LED physical protection.

Code	Color
KPAN058C	Clear Transparent

Hole panel: 6,40 mm 
Panel Thickness: 6,80 mm max
LEDs: 5 mm standard



Material: PC Optics UL94 clear
Operating Temperature -60° +125°C
ESD Protection




KPAN059 series

Brightness

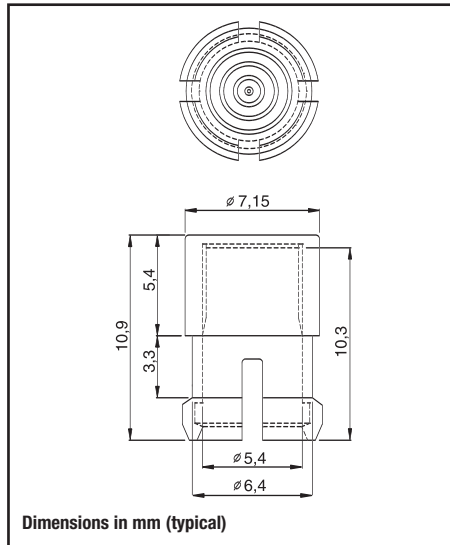
When we use Lens with fresnel lens the light is distributed over the entire lens surface producing 180° of viewing.

Code	Color
KPAN059C	Clear Transparent

Hole panel: 6,40 mm 
Panel Thickness: 6,80 mm max
LEDs: 5 mm standard




Material: PC Optics UL94 clear
Operating Temperature -60° +125°C
ESD Protection



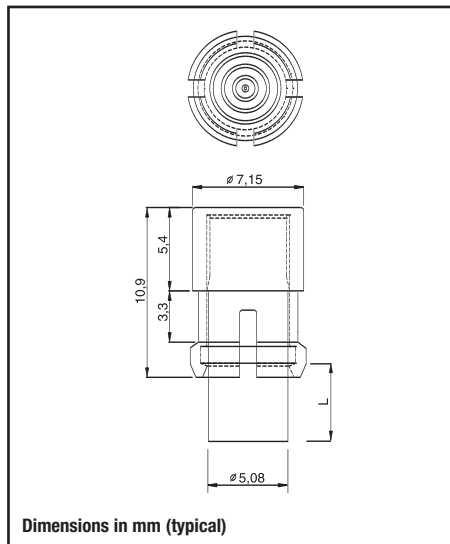
KPAN060 series

Code	Color
KPAN060C	Clear Transparent

Hole panel: 6,40 mm 
Panel Thickness: 3,30 mm max
LEDs: 5 mm standard



Material: PC Optics UL94 clear
Operating Temperature -60° +125°C
ESD Protection



KTR060 series

KTR060C/XXX (length)

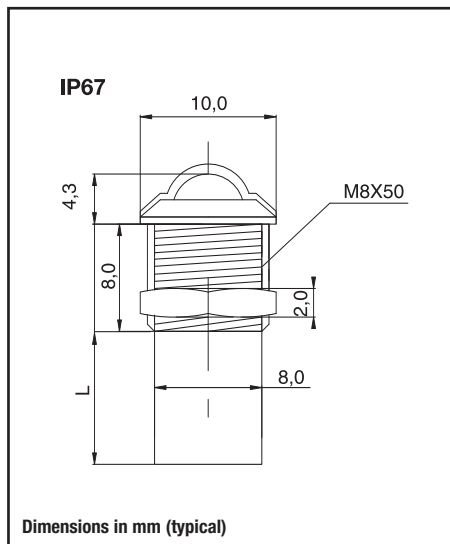
Code	Length (L)
KTR060C/010	1,01
KTR060C/060	6,09
KTR060C/111	11,17
KTR060C/162	16,25
KTR060C/213	21,33
KTR060C/264	26,41
KTR060C/XXX	Your length

Hole: 6,4 mm  Panel: 3,30 mm max

Code	Color
KTR060C	Clear Transparent



Material: PC Optics UL94 clear
Operating Temperature -60° +125°C
ESD Protection



KTSE205 series

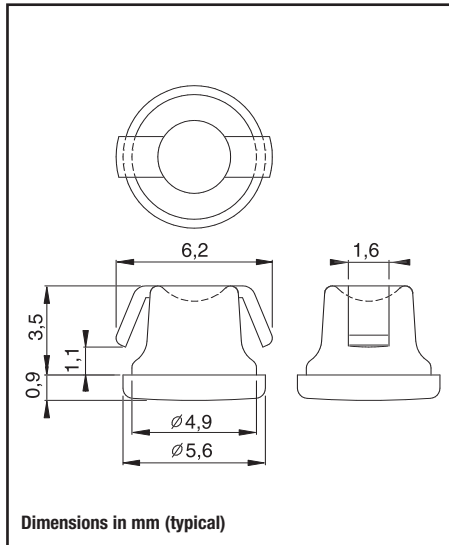
**Waterproof IP66/67
KTSE205/XXX (length)**

Code	Length (L)
KTSE205/025	2,54
KTSE205/050	5,08
KTSE205/083	8,34
KTSE205/108	10,88
KTSE205/134	13,42
KTSE205/159	15,96
KTSE205/185	18,50
KTSE205/210	21,04
KTSE205/235	23,58
KTSE205/261	26,12
KTSE205/286	28,66
KTSE205/312	31,20
KTSE205/XXX	Your length

Hole: 8,0 mm  Panel: 5,50 mm max




Material: PC Optics UL94 clear
Operating Temperature -60° +125°C
ESD Protection



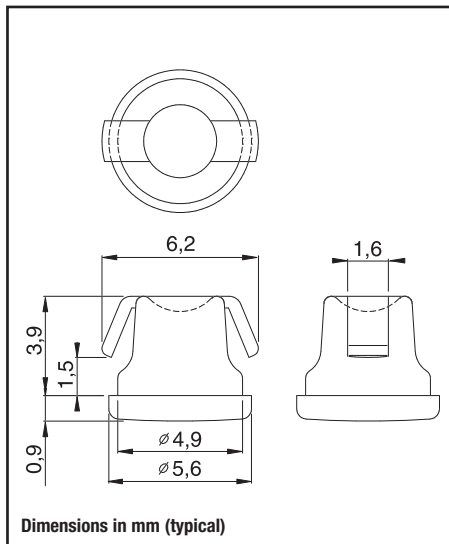
KPAN061 series

Code	Color
KPAN061C	Clear Transparent

Hole panel: 4,90 mm 
Panel Thickness: 1,10 mm max



Material: PC Optics UL94 clear
Operating Temperature -60° +125°C
ESD Protection




KPAN062 series

Protection

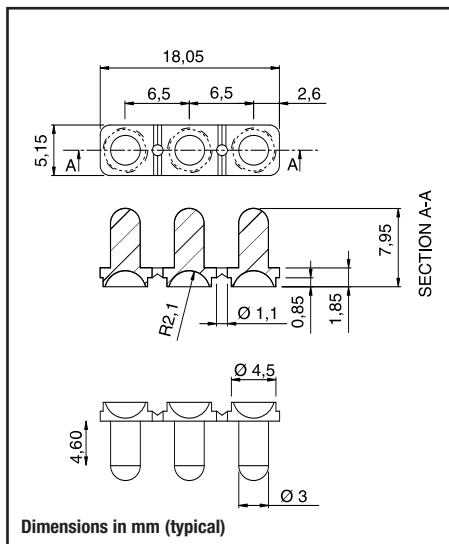
The Lenses helps prevent IC failures caused by electrostatic discharge (ESD). The Lens mounted LED helps guard components from ESD up to 16Kv while affording the LED physical protection.

Code	Color
KPAN062C	Clear Transparent

Hole panel: 4,90 mm 
Panel Thickness: 1,50 mm max




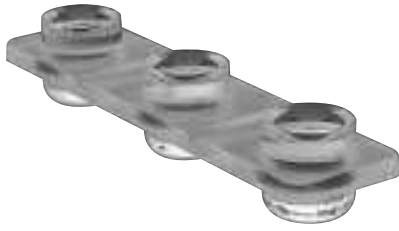
Material: PC Optics UL94 clear
Operating Temperature -60° +125°C
ESD Protection



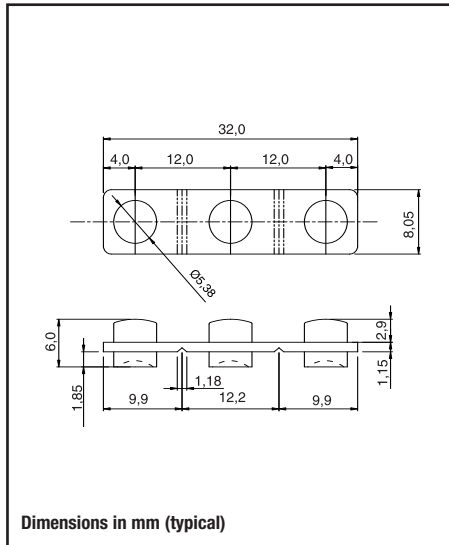
KLP08 series

Code	Color	Position
KLP081	Clear Transparent	1
KLP082	Clear Transparent	2
KLP083	Clear Transparent	3

Hole panel: 2,95 mm 
Panel Thickness: 4,60 mm max




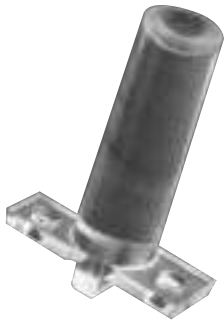
Material: PC Optics UL94 clear
Operating Temperature -60° +125°C
ESD Protection



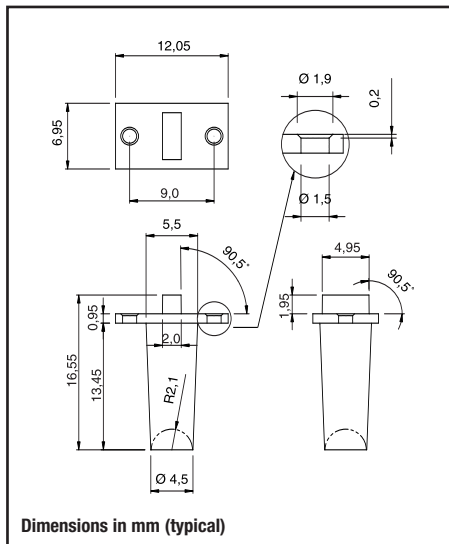
KLP09 series

Code	Color	Position
KLP091	Clear Transparent	1
KLP092	Clear Transparent	2
KLP093	Clear Transparent	3

Hole panel: 5,37 mm 
Panel Thickness: 2,00 mm max



Material: PC Optics UL94 clear
Operating Temperature -60° +125°C
ESD Protection



KLP10 series

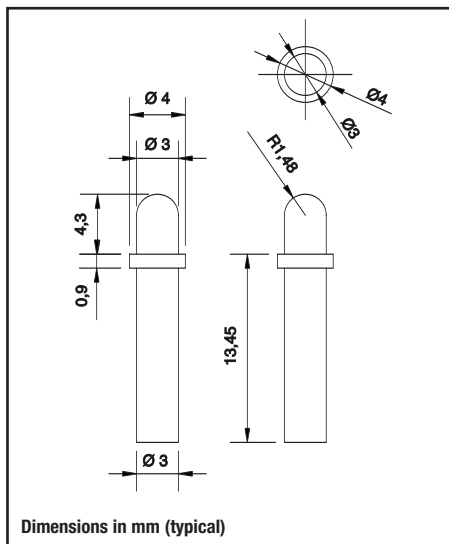
Protection

The Lenses helps prevent IC failures caused by electrostatic discharge (ESD). The Lens mounted LED helps guard components from ESD up to 16Kv while affording the LED physical protection.

Code	Color
KLP10	Clear Transparent




Material: PC Optics UL94 clear
Operating Temperature -60° +125°C
ESD Protection



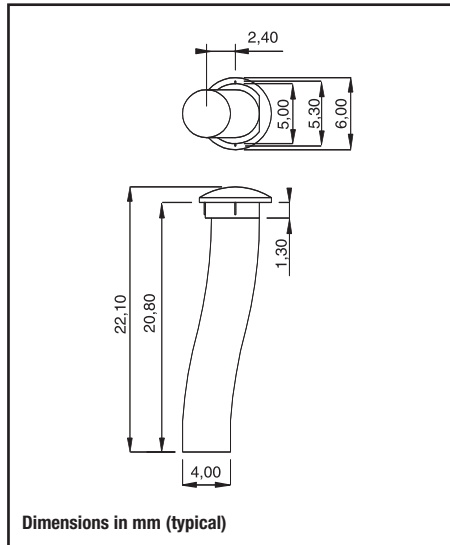
KLP11 series

Code	Color
KLP11	Clear Transparent

Hole panel: 2,95 mm 
Panel Thickness: 2,80 mm max




Material: PC Optics UL94 clear
Operating Temperature -60° +125°C
ESD Protection



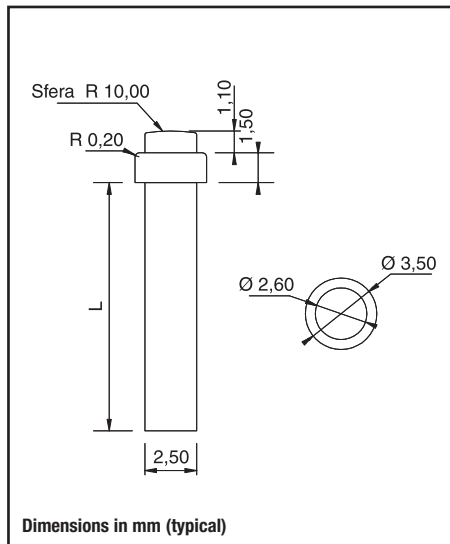
KSI08 series

Code	Color
KSI08	Clear Transparent

Hole panel: 5,25 mm 
Panel Thickness: 1,30 mm max




Material: PC Optics UL94 clear
Operating Temperature -60° +125°C
ESD Protection



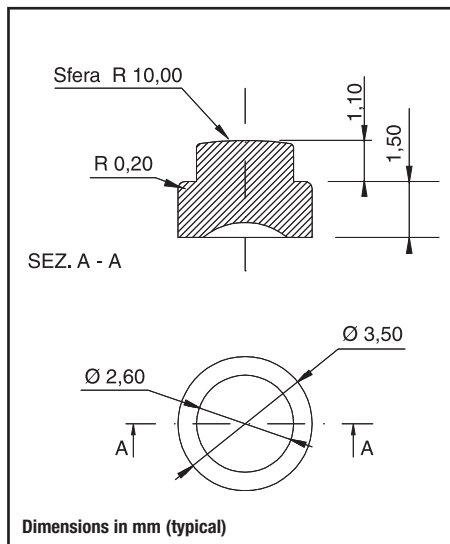
K21999 series

Code	Length (L)
K21999	12,5
K21999/8	8,0
K21999/10	10,4
K21999/20	20,0

Hole panel: 2,95 mm 
Panel Thickness: 1,00 mm max




Material: PC Optics UL94 clear
Operating Temperature -60° +125°C
ESD Protection



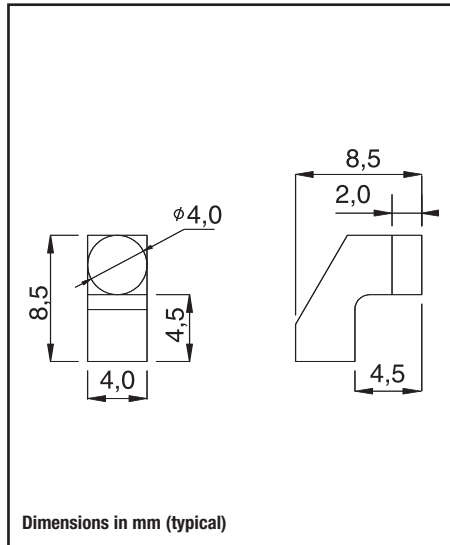
K22099 series

Code	Length (L)
K22099	1,50

Hole panel: 2,55 mm 
Panel Thickness: 1,00 mm max



Material: PC Optics UL94 clear
Operating Temperature -60° +125°C
ESD Protection



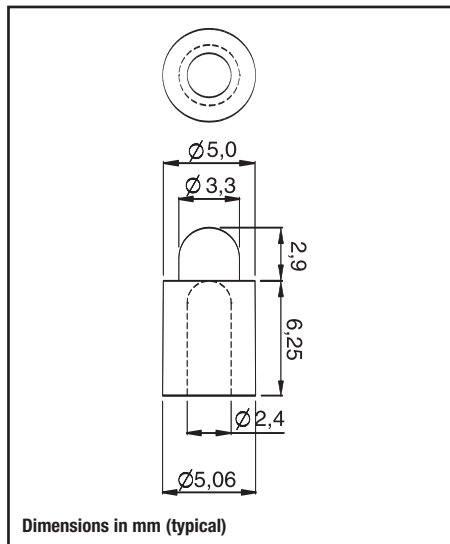
KLP01 series

Code	Color
KLP01	Clear transparent

Hole panel: 2,95 mm
Panel Thickness: 2,00 mm max



Material: PC Optics UL94 clear
Operating Temperature -60° +125°C
ESD Protection



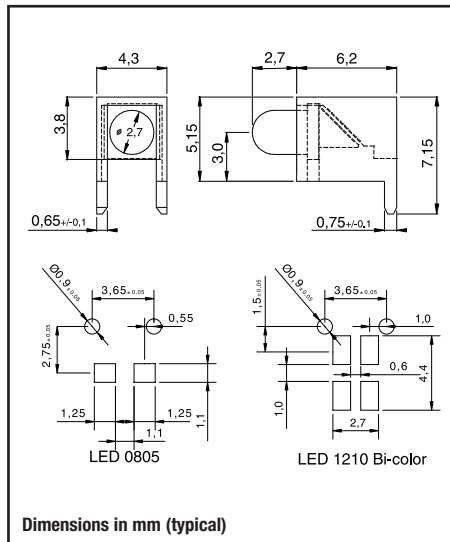
KLP05 series

Code	Color
KLP05	Clear transparent

Hole panel: 3,25 mm
Panel Thickness: 1,25 mm max



Material: PC optics UL94 - clear
Nylon 66
Operating Temperature -60° +105°C
ESD Protection



KLP06 series

Code	Color
KLP06	Clear transparent

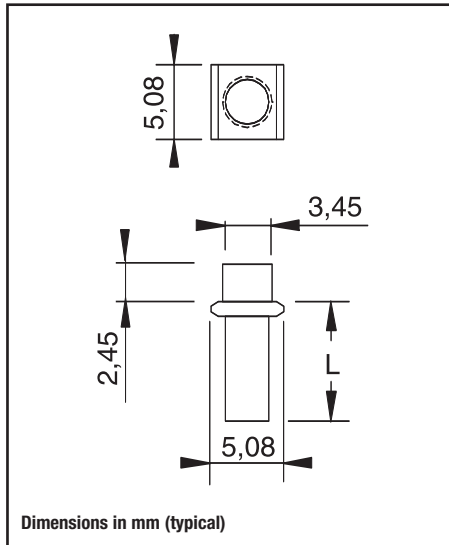
Hole panel: 2,70 mm
Panel Thickness: 1,25 mm max

Recommended LEDs:

- 1206
- 1210 Bicolor
- 0805



Material: PC Optics UL94 clear
Operating Temperature -60° +125°C
ESD Protection



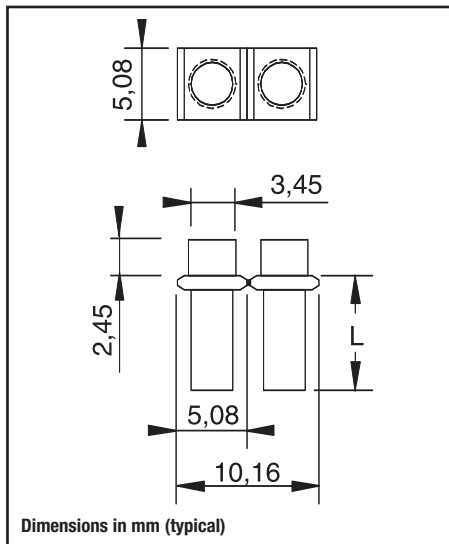
Code	Length (L)
KT01-02	2 mm
KT01-04	4 mm
KT01-054	5,4 mm
KT01-06	6 mm
KT01-075	7,5 mm
KT01-085	8,5 mm
KT01-10	10 mm
KT01-13	13 mm
KT01-15	15 mm
KT01-17	17 mm
KT01-20	20 mm
KT01-25	25 mm
KT01-30	30 mm
KT01-37	37,9 mm
KT01-40	40 mm
KT01-45	45 mm
KT01-47	47,5 mm
KT01-50	50 mm
Your length	L =

Hole: 3,40 mm Panel: 2,45 mm

KT02 series



Material: PC Optics UL94 clear
Operating Temperature -60° +125°C
ESD Protection



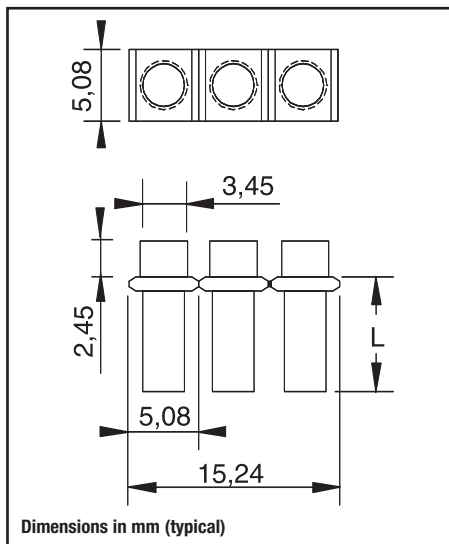
Code	Length (L)
KT02-02	2 mm
KT02-04	4 mm
KT02-054	5,4 mm
KT02-06	6 mm
KT02-075	7,5 mm
KT02-085	8,5 mm
KT02-10	10 mm
KT02-13	13 mm
KT02-15	15 mm
KT02-17	17 mm
KT02-20	20 mm
KT02-25	25 mm
KT02-30	30 mm
KT02-37	37,9 mm
KT02-40	40 mm
KT02-45	45 mm
KT02-47	47,5 mm
KT02-50	50 mm
Your length	L =

Hole: 3,40 mm Panel: 2,45 mm

KT03 series

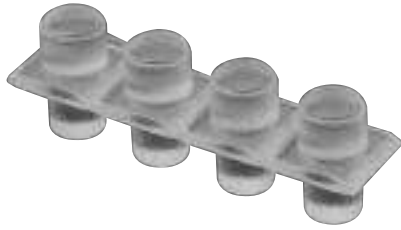


Material: PC Optics UL94 clear
Operating Temperature -60° +125°C
ESD Protection

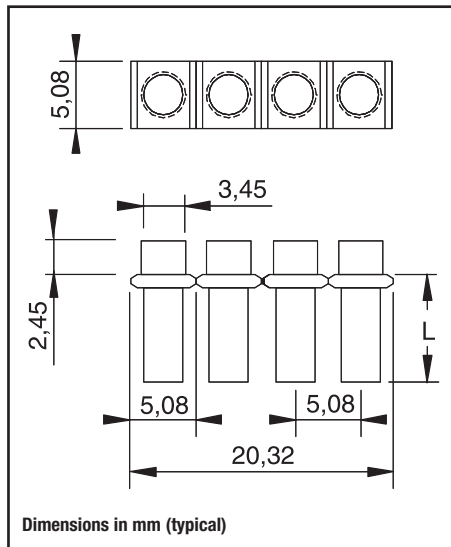


Code	Length (L)
KT03-02	2 mm
KT03-04	4 mm
KT03-054	5,4 mm
KT03-06	6 mm
KT03-075	7,5 mm
KT03-085	8,5 mm
KT03-10	10 mm
KT03-13	13 mm
KT03-15	15 mm
KT03-17	17 mm
KT03-20	20 mm
KT03-25	25 mm
KT03-30	30 mm
KT03-37	37,9 mm
KT03-40	40 mm
KT03-45	45 mm
KT03-47	47,5 mm
KT03-50	50 mm
Your length	L =

Hole: 3,40 mm Panel: 2,45 mm



Material: PC Optics UL94 clear
Operating Temperature -60° +125°C
ESD Protection



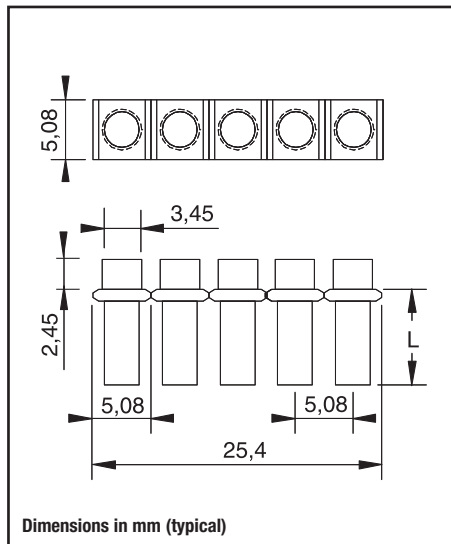
KT04 series

Code	Length (L)
KT04-02	2 mm
KT04-04	4 mm
KT04-054	5,4 mm
KT04-06	6 mm
KT04-075	7,5 mm
KT04-085	8,5 mm
KT04-10	10 mm
KT04-13	13 mm
KT04-15	15 mm

Hole: 3,40 mm Panel: 2,45 mm



Material: PC Optics UL94 clear
Operating Temperature -60° +125°C
ESD Protection



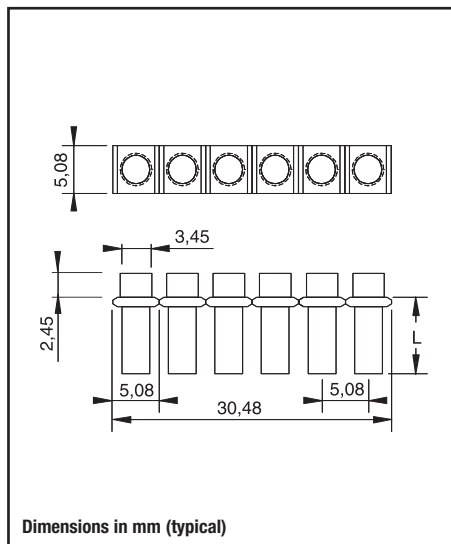
KT05 series

Code	Length (L)
KT05-02	2 mm
KT05-04	4 mm
KT05-054	5,4 mm
KT05-06	6 mm
KT05-075	7,5 mm
KT05-085	8,5 mm
KT05-10	10 mm
KT05-13	13 mm
KT05-15	15 mm

Hole: 3,40 mm Panel: 2,45 mm



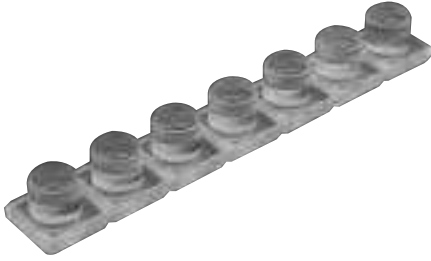
Material: PC Optics UL94 clear
Operating Temperature -60° +125°C
ESD Protection



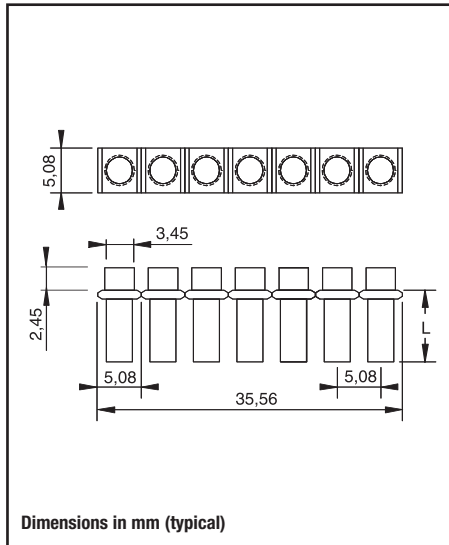
KT06 series

Code	Length (L)
KT06-02	2 mm
KT06-04	4 mm
KT06-054	5,4 mm
KT06-06	6 mm
KT06-075	7,5 mm
KT06-085	8,5 mm
KT06-10	10 mm
KT06-13	13 mm
KT06-15	15 mm

Hole: 3,40 mm Panel: 2,45 mm



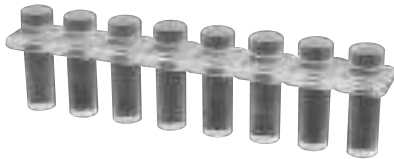
Material: PC Optics UL94 clear
Operating Temperature -60° +125°C
ESD Protection



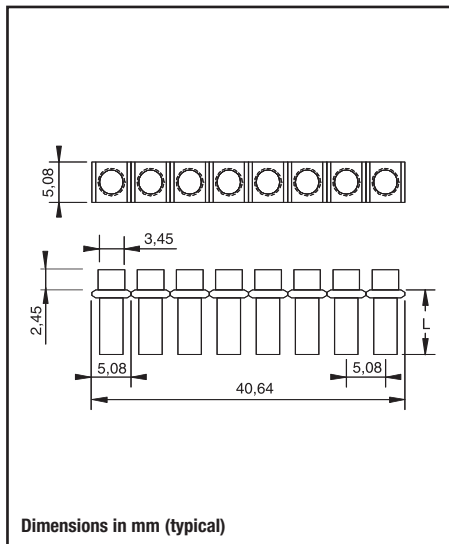
KT07 series

Code	Length (L)
KT07-02	2 mm
KT07-04	4 mm
KT07-054	5,4 mm
KT07-06	6 mm
KT07-075	7,5 mm
KT07-085	8,5 mm
KT07-10	10 mm
KT07-13	13 mm
KT07-15	15 mm

Hole: 3,40 mm Panel: 2,45 mm



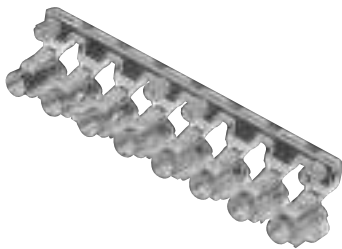
Material: PC Optics UL94 clear
Operating Temperature -60° +125°C
ESD Protection



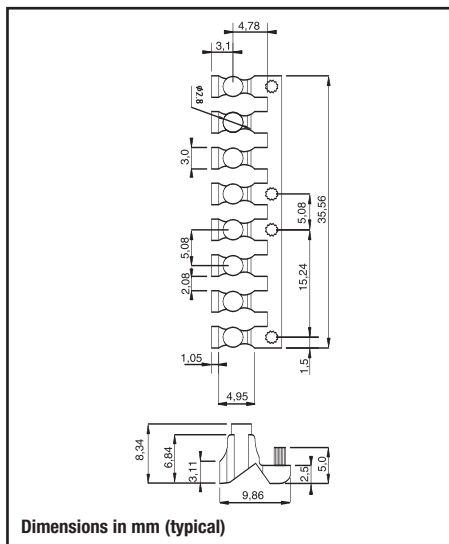
KT08 series

Code	Length (L)
KT08-02	2 mm
KT08-04	4 mm
KT08-054	5,4 mm
KT08-06	6 mm
KT08-075	7,5 mm
KT08-085	8,5 mm
KT08-10	10 mm
KT08-13	13 mm
KT08-15	15 mm

Hole: 3,40 mm Panel: 2,45 mm

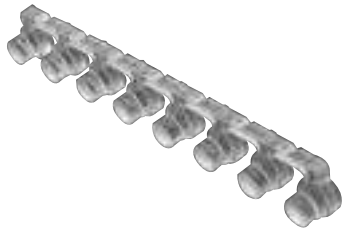


Material: PC Optics UL94 clear
Operating Temperature -60° +125°C
ESD Protection

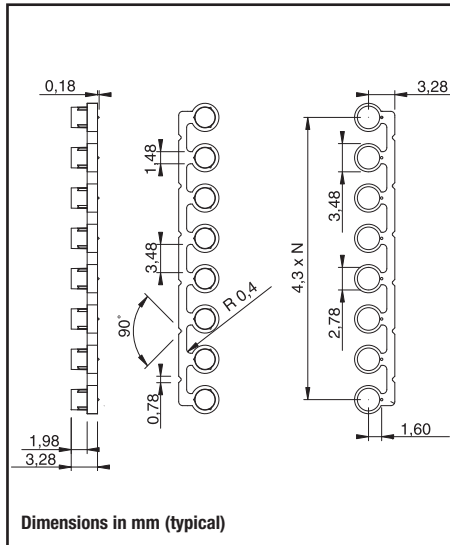


K22399 series

Code	Color
K22399	Clear transparent




Material: PC Optics UL94 clear
Operating Temperature -60° +125°C
ESD Protection



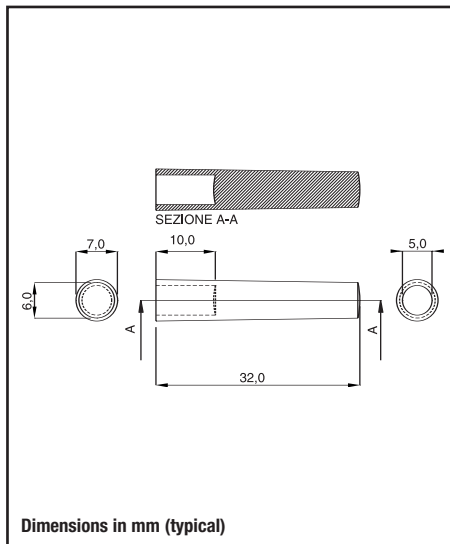
K540 series

Code	Length (L)	Position
K5401	-	1
K5402	4,3	2
K5403	8,6	3
K5404	12,9	4
K5405	17,2	5
K5406	21,5	6
K5407	25,8	7
K5408	30,1	8

Hole panel: 2,85 mm 
Panel Thickness: 2,00 mm max



Material: PC Optics UL94 clear
Operating Temperature -60° +125°C
ESD Protection



KSI711 series

Protection

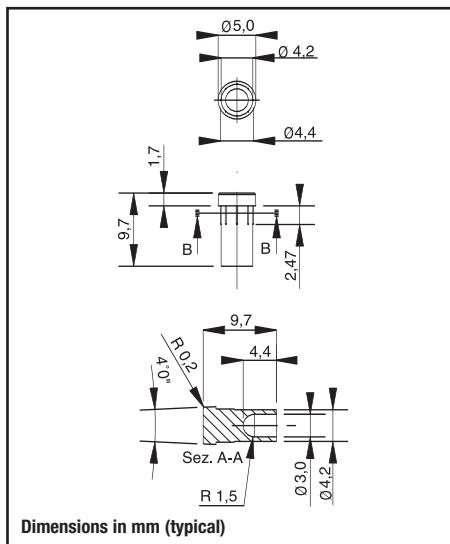
The Lenses helps prevent IC failures caused by electrostatic discharge (ESD). The Lens mounted LED helps guard components from ESD up to 16Kv while affording the LED physical protection.

Code	Color
KSI711	Clear transparent

LEDs: 5 mm standard



Material: PC Optics UL94 clear
Operating Temperature -60° +125°C
ESD Protection



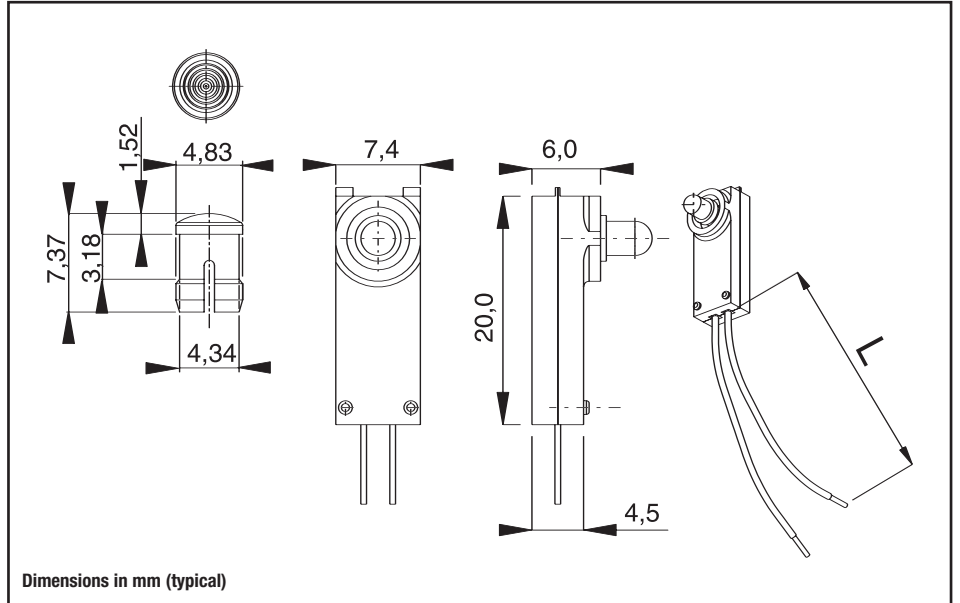
K94905 series

Code	Color
K94905	Clear transparent

Hole panel: 4,35 mm 
Panel Thickness: 2,40 mm max
LEDs: 3 mm standard



Material: PC Optics UL94
Nylon 66
Operating temperature: -60°C +125°C
ESD protection




You can order each code separately, but if you want assembled kit information are to order:

K929	X	XX	XXX
Series	COLOR LENS See below	LED Type See below	Cable Indicate only your length in mm

Example for code: **K929/CP1200**

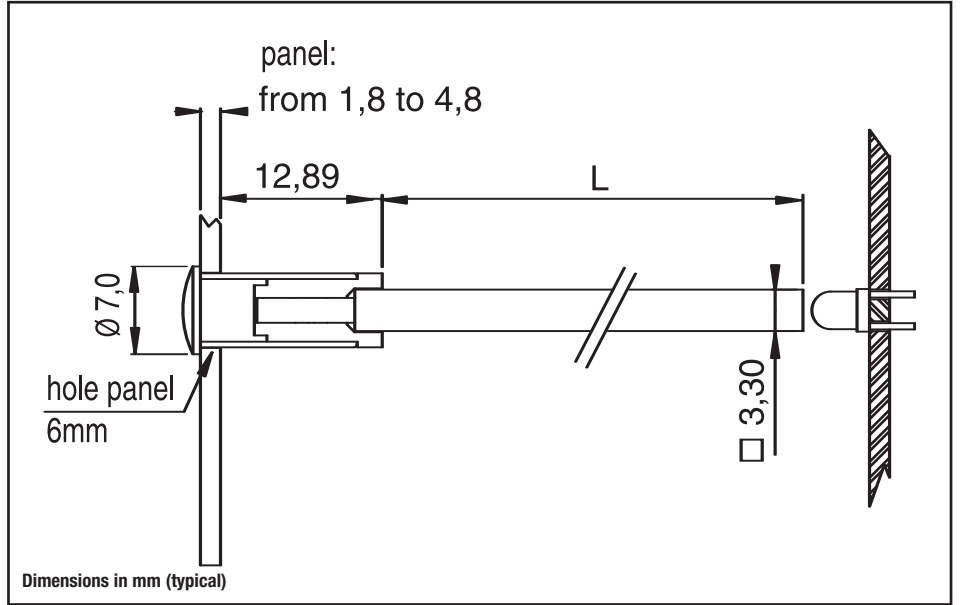
K929	C	P1	200
Series	LENS CLEAR	LED 3 mm RED	cable 20 mm length

Code	LENS		
	Colour	Hole (mm)	
A	Amber Transparent	4,3 mm	0,8÷6,3
B	Blue Transparent	4,3 mm	0,8÷6,3
C	Clear Transparent	4,3 mm	0,8÷6,3
G	Green Transparent	4,3 mm	0,8÷6,3
R	Red Transparent	4,3 mm	0,8÷6,3
Y	Yellow Transparent	4,3 mm	0,8÷6,3

Code	LED	
	Size	Emitted Color
P1	Ø 3mm	Red
P2	Ø 3mm	Green
P3	Ø 3mm	Yellow
P4	Ø 3mm	Red/Green
P5	Ø 3mm	Blue
P6	Ø 3mm	White
P7	Ø 3mm	Orange



Material: PC Optics UL94 clear
Operating Temperature -60° +125°C
ESD Protection



Make up your code

K

Series

LX

Lens

DXXX

Optical Spacer

Code	Color	Lens		Material
		Ø Lens (mm)	Ø Hole (mm)	
L71	Red	Ø 7	Ø 6	Transparent UL94 V-0 Operating temperature -60°C +125°C
L72	Green	Ø 7	Ø 6	
L73	Yellow	Ø 7	Ø 6	
L74	Clear	Ø 7	Ø 6	
L75	Blue	Ø 7	Ø 6	
L..	Special Color			

Optical Spacer

Code	Length L=mm	Code	Length L=mm	Code	Length L=mm	Code	Length L=mm
D050	5,0	D300	30,0	D550	55,0	D800	80,0
D075	7,5	D325	32,5	D575	57,5	D825	82,5
D100	10,0	D350	35,0	D600	60,0	D850	85,0
D125	12,5	D375	37,5	D625	62,5	D875	87,5
D150	15,0	D400	40,0	D650	65,0	D900	90,0
D175	17,5	D425	42,5	D675	67,5	D925	92,5
D200	20,0	D450	45,0	D700	70,0	D950	95,0
D225	22,5	D475	47,5	D725	72,5	D975	97,5
D250	25,0	D500	50,0	D750	75,0	D1000	100
D275	27,5	D525	52,5	D775	77,5	DXX	Your length

