

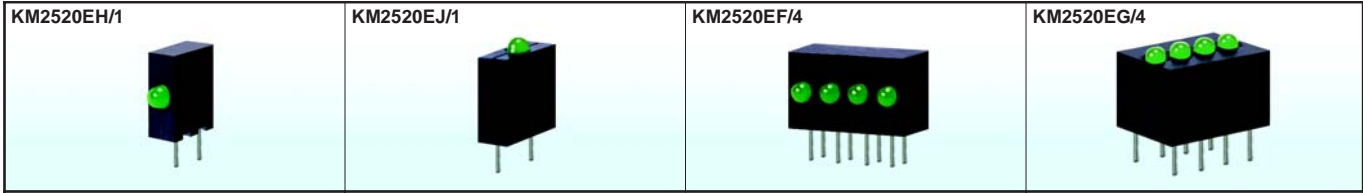
# Kingbright

---



**2007-2009**

P 2-10 | HOUSING LED LAMPS  
P 11-12 | HOUSING FOR LED LAMPS



Part No.	Material	λ D (nm)	Lens Type	Iv (mcd) @20mA *V=5V		Viewing Angle 2θ1/2	Dimension
				Min.	Typ.		

Part No.	Material	λ D (nm)	Lens Type	Iv (mcd) @20mA *V=5V Min.	Iv (mcd) @20mA *V=5V Typ.	Viewing Angle 2θ1/2	Dimension
KM2520EH/1ID	GaAsP/GaP	625	red diffused	7	30	40°	Subminiature Solid State Lamps 
KM2520EH/1ID-5V	GaAsP/GaP	625	red diffused	*1.8	*8	40°	
KM2520EH/1YD	GaAsP/GaP	588	yellow diffused	2.6	10	40°	
KM2520EH/1YD-5V	GaAsP/GaP	588	yellow diffused	*1	*3	40°	
KM2520EH/1SGD	GaP	568	green diffused	2.6	10	40°	
KM2520EH/1SGD-5V	GaP	568	green diffused	*1.8	*8	40°	

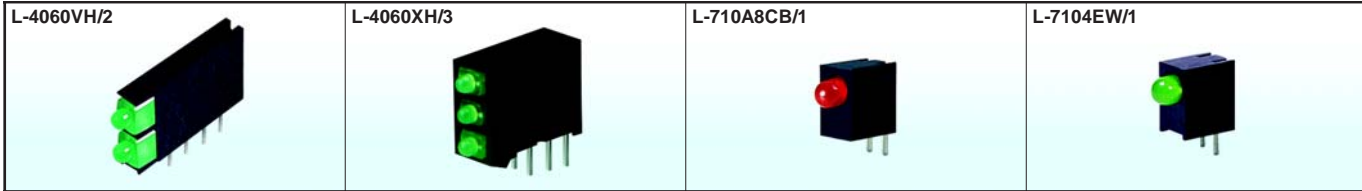
Part No.	Material	λ D (nm)	Lens Type	Iv (mcd) @20mA *V=5V Min.	Iv (mcd) @20mA *V=5V Typ.	Viewing Angle 2θ1/2	Dimension
KM2520EJ/1ID	GaAsP/GaP	625	red diffused	7	30	40°	Subminiature Solid State Lamps 
KM2520EJ/1ID-5V	GaAsP/GaP	625	red diffused	*1.8	*8	40°	
KM2520EJ/1YD	GaAsP/GaP	588	yellow diffused	2.6	10	40°	
KM2520EJ/1YD-5V	GaAsP/GaP	588	yellow diffused	*1	*3	40°	
KM2520EJ/1SGD	GaP	568	green diffused	2.6	10	40°	
KM2520EJ/1SGD-5V	GaP	568	green diffused	*1.8	*8	40°	

Part No.	Material	λ D (nm)	Lens Type	Iv (mcd) @20mA *V=5V Min.	Iv (mcd) @20mA *V=5V Typ.	Viewing Angle 2θ1/2	Dimension
KM2520EF/4ID	GaAsP/GaP	625	red diffused	7	30	40°	Subminiature Solid State Lamps 
KM2520EF/4ID-5V	GaAsP/GaP	625	red diffused	*1.8	*8	40°	
KM2520EF/4YD	GaAsP/GaP	588	yellow diffused	2.6	10	40°	
KM2520EF/4YD-5V	GaAsP/GaP	588	yellow diffused	*1	*3	40°	
KM2520EF/4SGD	GaP	568	green diffused	2.6	10	40°	
KM2520EF/4SGD-5V	GaP	568	green diffused	*1.8	*8	40°	

Part No.	Material	λ D (nm)	Lens Type	Iv (mcd) @20mA *V=5V Min.	Iv (mcd) @20mA *V=5V Typ.	Viewing Angle 2θ1/2	Dimension
KM2520EG/4ID	GaAsP/GaP	625	red diffused	7	30	40°	Subminiature Solid State Lamps 
KM2520EG/4ID-5V	GaAsP/GaP	625	red diffused	*1.8	*8	40°	
KM2520EG/4YD	GaAsP/GaP	588	yellow diffused	2.6	10	40°	
KM2520EG/4YD-5V	GaAsP/GaP	588	yellow diffused	*1	*3	40°	
KM2520EG/4SGD	GaP	568	green diffused	2.6	10	40°	
KM2520EG/4SGD-5V	GaP	568	green diffused	*1.8	*8	40°	

**NOTES:**

- All dimensions are in millimeters(inches).
- Tolerance is ±0.25mm(0.01") unless otherwise noted.
- Parts with different 6V, 12V & 24V internal resistor are available. Please check with our sales offices worldwide.



Part No.	Material	λ D (nm)	Lens Type	Iv (mcd) @10mA *20mA		Viewing Angle 2θ1/2	Dimension
				Min.	Typ.		

L-4060VH/2ID	GaAsP/GaP	625	red diffused	8	15	70°	<p>1.8mm Bi-Level</p>
L-4060VH/2SRD	GaAlAs	640	red diffused	*70	*200	70°	
L-4060VH/2YD	GaAsP/GaP	588	yellow diffused	1.8	5	70°	
L-4060VH/2GD	GaP	568	green diffused	5	10	70°	

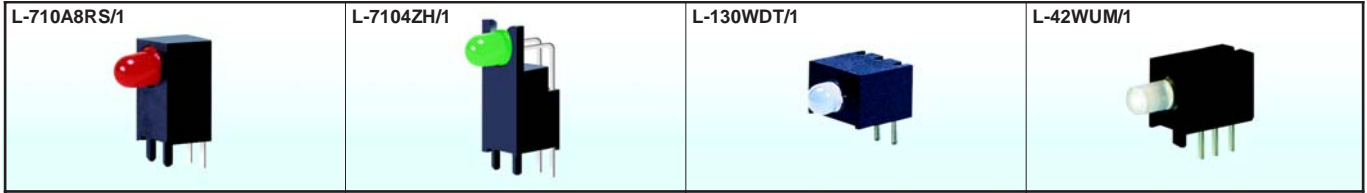
L-4060XH/3ID	GaAsP/GaP	625	red diffused	8	15	70°	<p>1.8mm Tri-Level</p>
L-4060XH/3SRD	GaAlAs	640	red diffused	*70	*200	70°	
L-4060XH/3YD	GaAsP/GaP	588	yellow diffused	1.8	5	70°	
L-4060XH/3GD	GaP	568	green diffused	5	10	70°	

L-710A8CB/1ID	GaAsP/GaP	625	red diffused	12	25	40°	<p>T-1 (3mm) Right Angle</p>
L-710A8CB/1SRD	GaAlAs	640	red diffused	*110	*280	40°	
L-710A8CB/1YD	GaAsP/GaP	588	yellow diffused	5	12	40°	
L-710A8CB/1GD	GaP	568	green diffused	8	20	40°	

L-7104EW/1ID	GaAsP/GaP	625	red diffused	12	25	40°	<p>T-1 (3mm) Right Angle</p>
L-7104EW/1SRD	GaAlAs	640	red diffused	*110	*280	40°	
L-7104EW/1YD	GaAsP/GaP	588	yellow diffused	5	12	40°	
L-7104EW/1GD	GaP	568	green diffused	8	20	40°	

NOTES:

1. All dimensions are in millimeters(inches).
2. Tolerance is ±0.25mm(0.01") unless otherwise noted.

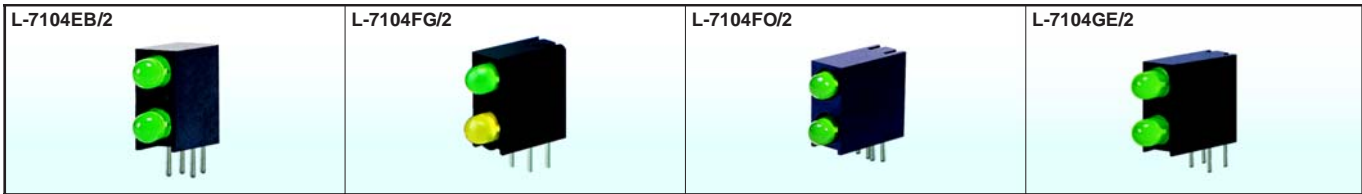


Part No.	Material	λ D (nm)	Lens Type	Iv (mcd) @10mA *20mA		Viewing Angle 2θ/2	Dimension
				Min.	Typ.		
L-710A8RS/1ID	GaAsP/GaP	625	red diffused	12	25	40°	<p>T-1 (3mm) Right Angle</p>
L-710A8RS/1SRD	GaAlAs	640	red diffused	*110	*280	40°	
L-710A8RS/1YD	GaAsP/GaP	588	yellow diffused	5	12	40°	
L-710A8RS/1GD	GaP	568	green diffused	8	20	40°	
L-7104ZH/1ID	GaAsP/GaP	625	red diffused	8	20	40°	<p>T-1 (3mm) Right Angle</p>
L-7104ZH/1SRD	GaAlAs	640	red diffused	*110	*300	40°	
L-7104ZH/1YD	GaAsP/GaP	588	yellow diffused	5	15	40°	
L-7104ZH/1GD	GaP	568	green diffused	8	20	40°	
L-130WDT/1EGW	GaAsP/GaP	625	white diffused	*7	*30	60°	<p>T-1 (3mm) Right Angle</p>
	GaP	568		*7	*25		
L-130WDT/1EYW	GaAsP/GaP	625	white diffused	*7	*30	60°	
	GaAsP/GaP	588		*7	*20		
L-130WDT/1GYW	GaP	568	white diffused	*7	*25	60°	
	GaAsP/GaP	588		*7	*20		
L-42WUM/1EGWT	GaAsP/GaP	625	white diffused	*4	*13	100°	<p>T-1 (3mm) Right Angle</p>
	GaP	568		*4	*13		
L-42WUM/1EYWT	GaAsP/GaP	625	white diffused	*4	*13	100°	
	GaAsP/GaP	588		*2.6	*6		
L-42WUM/1GYWT	GaP	568	white diffused	*4	*13	100°	
	GaAsP/GaP	588		*2.6	*6		

**NOTES:**

1. All dimensions are in millimeters(inches).
2. Tolerance is ±0.25mm(0.01") unless otherwise noted.





Part No.	Material	λ D (nm)	Lens Type	Iv (mcd) @10mA *20mA		Viewing Angle 2θ1/2	Dimension
				Min.	Typ.		

L-7104EB/2ID	GaAsP/GaP	625	red diffused	8	20	40°	<p>T-1 (3mm) Bi-Level</p>
L-7104EB/2SRD	GaAlAs	640	red diffused	*110	*300	40°	
L-7104EB/2YD	GaAsP/GaP	588	yellow diffused	5	15	40°	
L-7104EB/2GD	GaP	568	green diffused	8	20	40°	

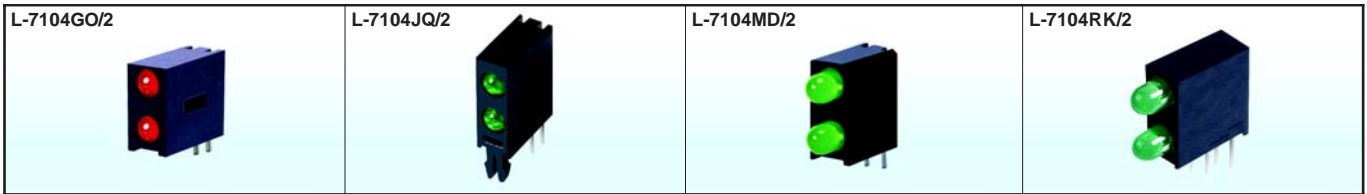
L-7104FG/2ID	GaAsP/GaP	625	red diffused	8	20	40°	<p>T-1 (3mm) Bi-Level</p>
L-7104FG/2SRD	GaAlAs	640	red diffused	*110	*300	40°	
L-7104FG/2YD	GaAsP/GaP	588	yellow diffused	5	15	40°	
L-7104FG/2GD	GaP	568	green diffused	8	20	40°	

L-7104FO/2ID	GaAsP/GaP	625	red diffused	8	20	40°	<p>T-1 (3mm) Bi-Level</p>
L-7104FO/2SRD	GaAlAs	640	red diffused	*110	*300	40°	
L-7104FO/2YD	GaAsP/GaP	588	yellow diffused	5	15	40°	
L-7104FO/2GD	GaP	568	green diffused	8	20	40°	

L-7104GE/2ID	GaAsP/GaP	625	red diffused	8	20	40°	<p>T-1 (3mm) Bi-Level</p>
L-7104GE/2SRD	GaAlAs	640	red diffused	*110	*300	40°	
L-7104GE/2YD	GaAsP/GaP	588	yellow diffused	5	15	40°	
L-7104GE/2GD	GaP	568	green diffused	8	20	40°	

NOTES:

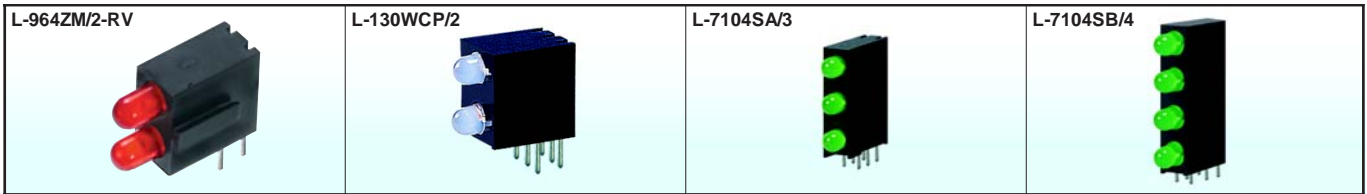
1. All dimensions are in millimeters(inches).
2. Tolerance is ±0.25mm(0.01") unless otherwise noted.



Part No.	Material	$\lambda$ D (nm)	Lens Type	Iv (mcd) @10mA *20mA		Viewing Angle 2 $\theta$ 1/2	Dimension
				Min.	Typ.		
L-7104GO/2ID	GaAsP/GaP	625	red diffused	8	20	40°	<p>T-1 (3mm) Bi-Level</p>
L-7104GO/2SRD	GaAlAs	640	red diffused	*110	*300	40°	
L-7104GO/2YD	GaAsP/GaP	588	yellow diffused	5	15	40°	
L-7104GO/2GD	GaP	568	green diffused	8	20	40°	
L-7104JQ/2ID	GaAsP/GaP	625	red diffused	8	20	40°	<p>T-1 (3mm) Bi-Level</p>
L-7104JQ/2SRD	GaAlAs	640	red diffused	*110	*300	40°	
L-7104JQ/2YD	GaAsP/GaP	588	yellow diffused	5	15	40°	
L-7104JQ/2GD	GaP	568	green diffused	8	20	40°	
L-7104MD/2ID	GaAsP/GaP	625	red diffused	8	20	40°	<p>T-1 (3mm) Bi-Level</p>
L-7104MD/2SRD	GaAlAs	640	red diffused	*110	*300	40°	
L-7104MD/2YD	GaAsP/GaP	588	yellow diffused	5	15	40°	
L-7104MD/2GD	GaP	568	green diffused	8	20	40°	
L-7104RK/2ID	GaAsP/GaP	625	red diffused	8	20	40°	<p>T-1 (3mm) Bi-Level</p>
L-7104RK/2SRD	GaAlAs	640	red diffused	*110	*300	40°	
L-7104RK/2YD	GaAsP/GaP	588	yellow diffused	5	15	40°	
L-7104RK/2GD	GaP	568	green diffused	8	20	40°	

NOTES:

1. All dimensions are in millimeters(inches).
2. Tolerance is  $\pm 0.25\text{mm}(0.01")$  unless otherwise noted.



Part No.	Material	λ D (nm)	Lens Type	Iv (mcd) @10mA *20mA		Viewing Angle 2θ1/2	Dimension
				Min.	Typ.		

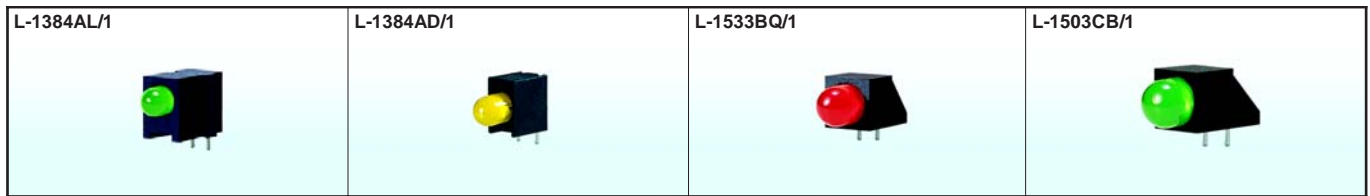
L-964ZM/2ID-RV	GaAsP/GaP	625	red diffused	8	20	60°	<p>T-1 (3mm) Bi-Level</p>
L-964ZM/2SRD-RV	GaAlAs	640	red diffused	*70	*250	60°	
L-964ZM/2YD-RV	GaAsP/GaP	588	yellow diffused	3	10	60°	
L-964ZM/2GD-RV	GaP	568	green diffused	5	15	60°	

L-130WCP/2EGW	GaAsP/GaP	625	white diffused	*7	*30	60°	<p>T-1(3mm) Bi-Level</p>
	GaP	568		*7	*25		
L-130WCP/2EYW	GaAsP/GaP	625	white diffused	*7	*30	60°	
	GaAsP/GaP	588		*7	*20		
L-130WCP/2GYW	GaP	568	white diffused	*7	*25	60°	
	GaAsP/GaP	588		*7	*20		

L-7104SA/3ID	GaAsP/GaP	625	red diffused	8	20	40°	<p>T-1 (3mm) Tri-Level</p>
L-7104SA/3SRD	GaAlAs	640	red diffused	*110	*300	40°	
L-7104SA/3YD	GaAsP/GaP	588	yellow diffused	5	15	40°	
L-7104SA/3GD	GaP	568	green diffused	8	20	40°	

L-7104SB/4ID	GaAsP/GaP	625	red diffused	8	20	40°	<p>T-1 (3mm) Quad-Level</p>
L-7104SB/4SRD	GaAlAs	640	red diffused	*110	*300	40°	
L-7104SB/4YD	GaAsP/GaP	588	yellow diffused	5	15	40°	
L-7104SB/4GD	GaP	568	green diffused	8	20	40°	

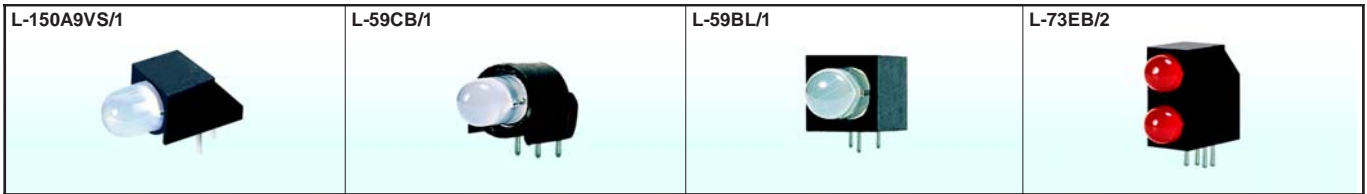
NOTES:  
 1. All dimensions are in millimeters(inches).  
 2. Tolerance is ±0.25mm(0.01") unless otherwise noted.



Part No.	Material	λ D (nm)	Lens Type	Iv (mcd) @10mA *20mA		Viewing Angle 2θ/2	Dimension
				Min.	Typ.		
L-1384AL/1ID	GaAsP/GaP	625	red diffused	12	20	60°	<p>3.4mm Right Angle</p>
L-1384AL/1SRD	GaAlAs	640	red diffused	*70	*200	60°	
L-1384AL/1YD	GaAsP/GaP	588	yellow diffused	8	15	60°	
L-1384AL/1GD	GaP	568	green diffused	8	15	60°	
L-1384AD/1ID	GaAsP/GaP	625	red diffused	12	20	60°	<p>3.4mm Right Angle</p>
L-1384AD/1SRD	GaAlAs	640	red diffused	*70	*200	60°	
L-1384AD/1YD	GaAsP/GaP	588	yellow diffused	8	15	60°	
L-1384AD/1GD	GaP	568	green diffused	8	15	60°	
L-1533BQ/1ID	GaAsP/GaP	625	red diffused	8	30	60°	<p>4.7mm Right Angle</p>
L-1533BQ/1SRD	GaAlAs	640	red diffused	*110	*400	60°	
L-1533BQ/1YD	GaAsP/GaP	588	yellow diffused	5	18	60°	
L-1533BQ/1GD	GaP	568	green diffused	5	20	60°	
L-1503CB/1ID	GaAsP/GaP	625	red diffused	8	30	60°	<p>T-1 3/4 (5mm) Right Angle</p>
L-1503CB/1SRD	GaAlAs	640	red diffused	*380	*700	60°	
L-1503CB/1YD	GaAsP/GaP	588	yellow diffused	5	20	60°	
L-1503CB/1GD	GaP	568	green diffused	5	20	60°	

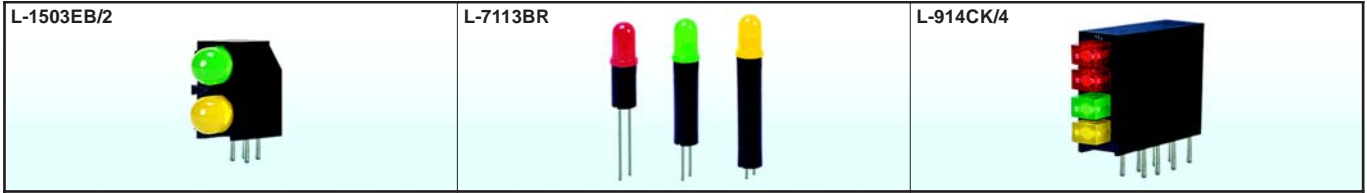
NOTES:  
 1. All dimensions are in millimeters(inches).  
 2. Tolerance is ±0.25mm(0.01") unless otherwise noted.





Part No.	Material	λ D (nm)	Lens Type	Iv (mcd) @10mA *20mA		Viewing Angle 2θ1/2	Dimension
				Min.	Typ.		
L-150A9VS/1EGW	GaAsP/GaP	625	white diffused	*18	*50	30°	T-1 3/4 (5mm) Right Angle 
	GaP	568		*10	*45		
L-150A9VS/1EYW	GaAsP/GaP	625	white diffused	*18	*50	30°	
	GaAsP/GaP	588		*7	*30		
L-150A9VS/1GYW	GaP	568	white diffused	*10	*45	30°	
	GaAsP/GaP	588		*7	*30		
L-59CB/1EGW	GaAsP/GaP	625	white diffused	*18	*60	60°	T-1 3/4 (5mm) Right Angle 
	GaP	568		*18	*50		
L-59CB/1EYW	GaAsP/GaP	625	white diffused	*18	*60	60°	
	GaAsP/GaP	588		*18	*40		
L-59CB/1GYW	GaP	568	white diffused	*18	*50	60°	
	GaAsP/GaP	588		*18	*40		
L-59BL/1EGW	GaAsP/GaP	625	white diffused	*18	*60	60°	T-1 3/4 (5mm) Right Angle 
	GaP	568		*18	*50		
L-59BL/1EYW	GaAsP/GaP	625	white diffused	*18	*60	60°	
	GaAsP/GaP	588		*18	*40		
L-59BL/1GYW	GaP	568	white diffused	*18	*50	60°	
	GaAsP/GaP	588		*18	*40		
L-73EB/2IDA	GaAsP/GaP	625	red diffused	8	30	60°	4.8mm Bi-Level 
L-73EB/2SRDA	GaAlAs	640	red diffused	*110	*300	60°	
L-73EB/2YDA	GaAsP/GaP	588	yellow diffused	5	20	60°	
L-73EB/2GDA	GaP	568	green diffused	8	20	60°	

NOTES:  
 1. All dimensions are in millimeters(inches).  
 2. Tolerance is ±0.25mm(0.01") unless otherwise noted.



Part No.	Material	λ D (nm)	Lens Type	Iv (mcd) @10mA *20mA		Viewing Angle 2θ1/2	Dimension
				Min.	Typ.		

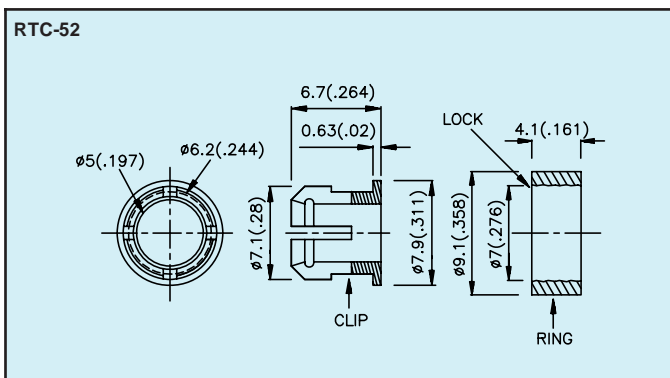
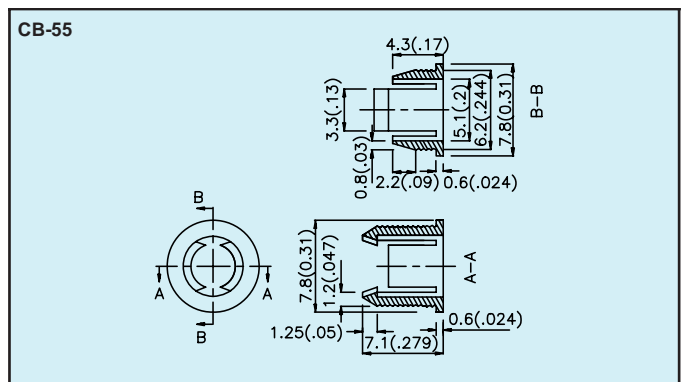
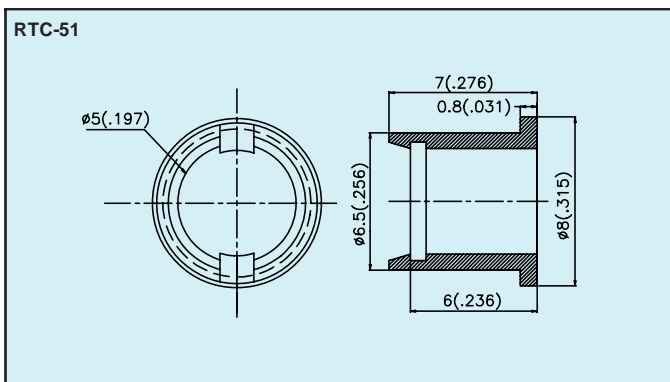
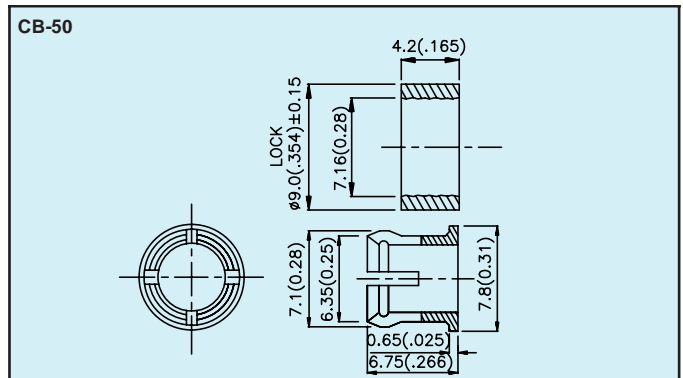
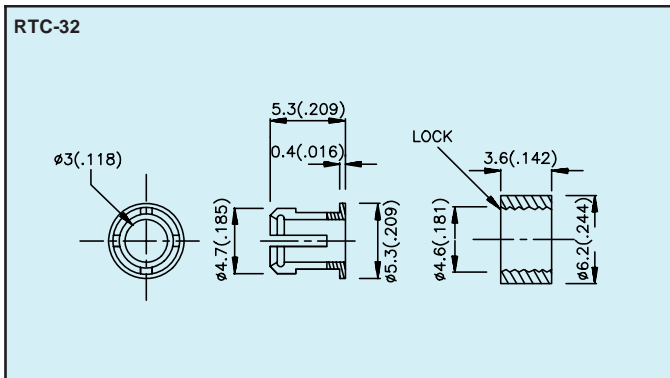
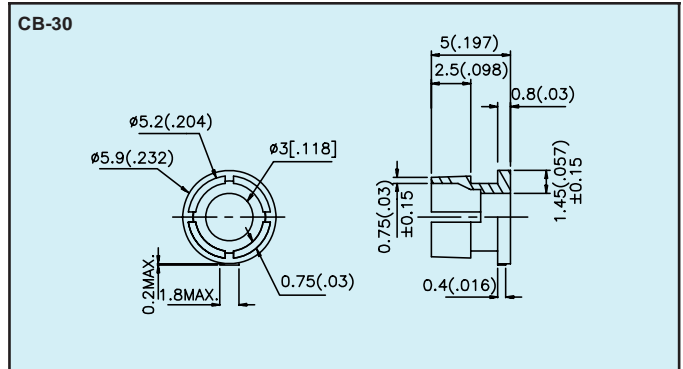
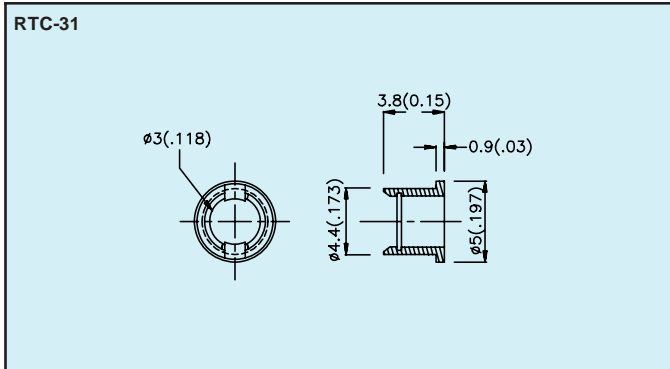
L-1503EB/2ID	GaAsP/GaP	625	red diffused	8	30	60°	<p>T-1 3/4 (5mm) Bi-Level</p>
L-1503EB/2SRD	GaAlAs	640	red diffused	*380	*700	60°	
L-1503EB/2YD	GaAsP/GaP	588	yellow diffused	5	20	60°	
L-1503EB/2GD	GaP	568	green diffused	5	20	60°	

L-7113BR-5.08/ID L-7113BR-6.35/ID L-7113BR-9.52/ID L-7113BR-17.8/ID L-7113BR-23.5/ID	GaAsP/GaP	625	red diffused	8	45	30°	<p>T-1 3/4 (5mm) With Spacer</p>
L-7113BR-5.08/SRD L-7113BR-6.35/SRD L-7113BR-9.52/SRD L-7113BR-17.8/SRD L-7113BR-23.5/SRD	GaAlAs	640	red diffused	*110	*300	30°	
L-7113BR-5.08/YD L-7113BR-6.35/YD L-7113BR-9.52/YD L-7113BR-17.8/YD L-7113BR-23.5/YD	GaAsP/GaP	588	yellow diffused	5	20	30°	
L-7113BR-5.08/GD L-7113BR-6.35/GD L-7113BR-9.52/GD L-7113BR-17.8/GD L-7113BR-23.5/GD	GaP	568	green diffused	5	20	30°	
L-7113BR-5.08/SGD L-7113BR-6.35/SGD L-7113BR-9.52/SGD L-7113BR-17.8/SGD L-7113BR-23.5/SGD	GaP	568	green diffused	*18	*40	30°	

L-914CK/4IDT	GaAsP/GaP	625	red diffused	1.8	8	100°	<p>2mm x 3mm Quad-Level</p>
L-914CK/4YDT	GaAsP/GaP	588	yellow diffused	1	4	100°	
L-914CK/4GDT	GaP	568	green diffused	1.8	6	100°	

**NOTES:**

- All dimensions are in millimeters(inches).
- Tolerance is ±0.25mm(0.01") unless otherwise noted.



**NOTES:**

1. All dimensions are in millimeters(inches).
2. Tolerance is  $\pm 0.25\text{mm}(0.01\text{'})$  unless otherwise noted.

RTF-1090



RTF-8080



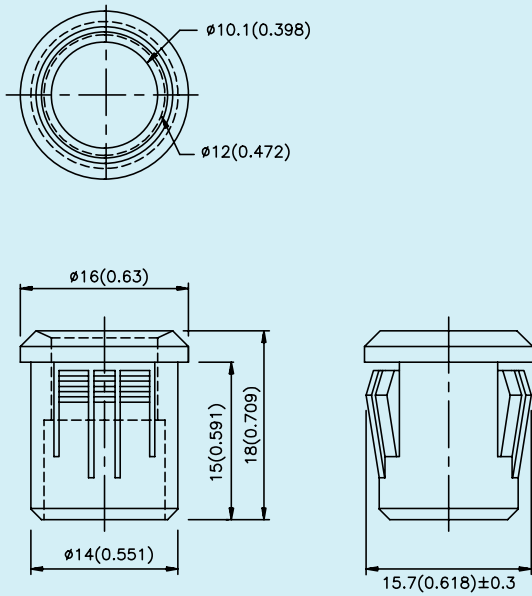
RTF-5010



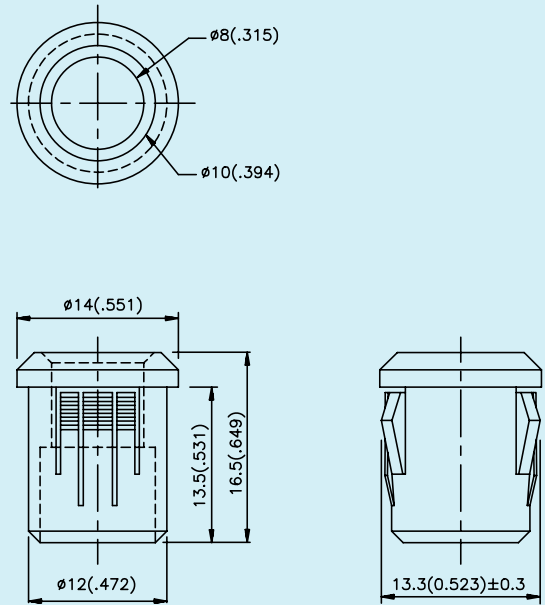
RTF-5020



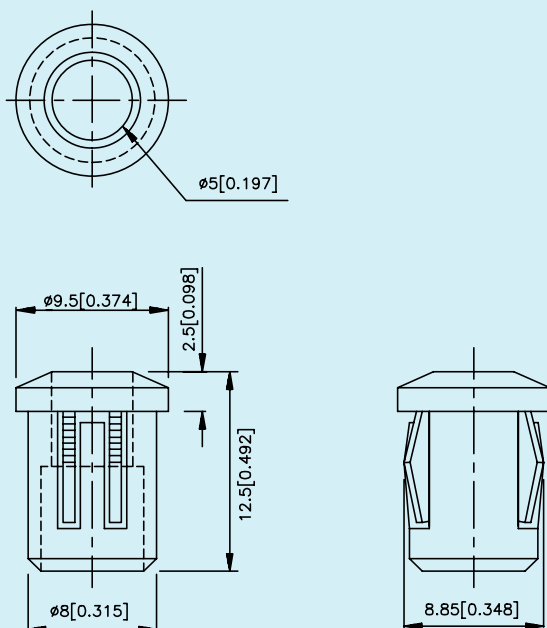
RTF-1090



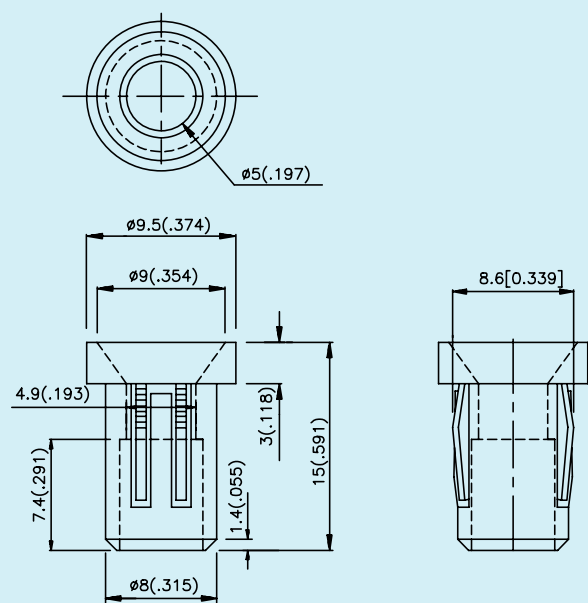
RTF-8080



RTF-5010



RTF-5020



NOTES:

1. All dimensions are in millimeters(inches).
2. Tolerance is  $\pm 0.25\text{mm}(0.01")$  unless otherwise noted.