

Uniform high-quality
accent lighting

LINO

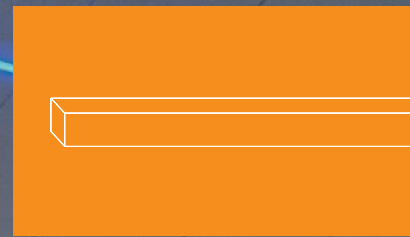
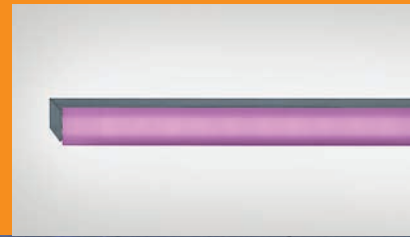


Foto: Bruno Klomfar für Zumtobel

LINO



Product specifications

Colour range	RGB
Light sources	3-in-1 RGB LEDs 10 x RGB LEDs per 25 cm
Housing / materials	Aluminium housing with PMMA cover
Standards	CE DMX512 standard (USITT)

Data specifications

Protocol	DMX512, segment-by-segment control, 3 DMX channels per segment (RGB)
Interface	Data in / out

Electrical specifications

Supply voltage	24V DC
Power consumption	3W / segment (25 cm)
Safety class	Class 3 (SELV)
Connection	Cable with open leads

Environmental specifications

Temperature range	0°C to +40°C
Protection rating	IP20

The continuous line creates an impressive interplay of colours



Semi-transparent hardware for soft light

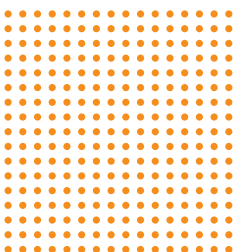


Colour effects with individual RGB LEDs

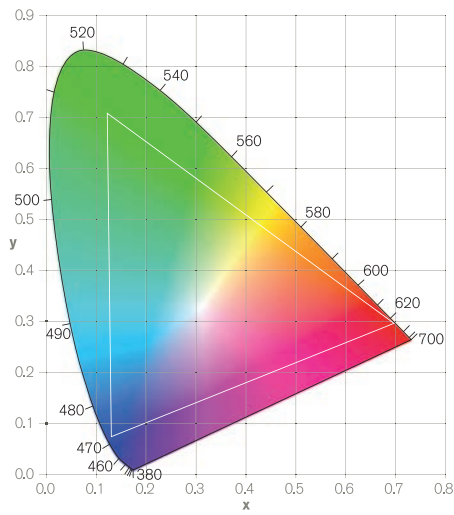
This LED line provides accent lighting and gives special character to any room

LINO is the easy way to achieve accent lighting in ceilings and walls. Its compact design means that continuous lines can be created with effects and colour. LINO is available in different lengths to meet

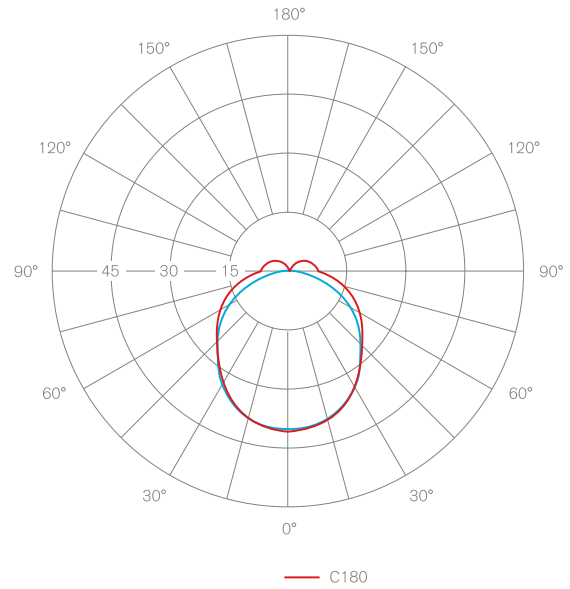
special requirements. The units can be seamlessly linked to create beautiful continuous lines. DMX512 control enables a wide variety of impressive colour effects to be achieved.



Typical gamut



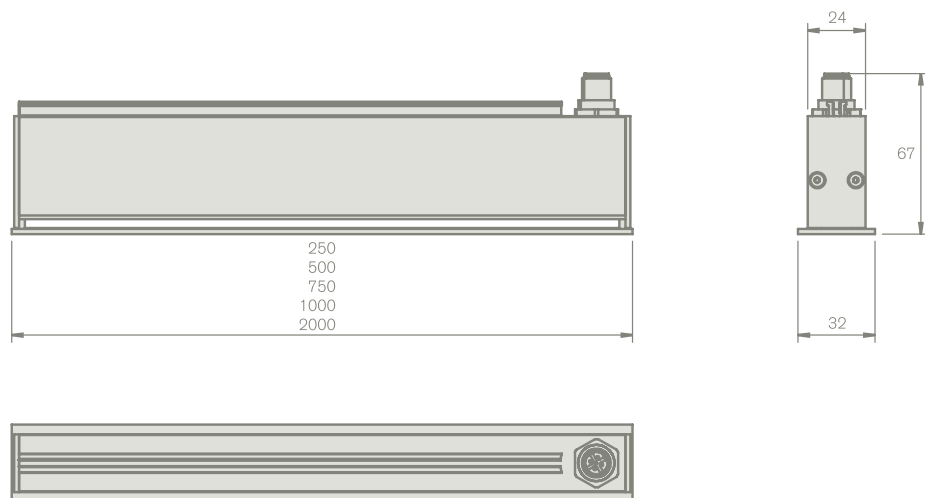
Light distribution



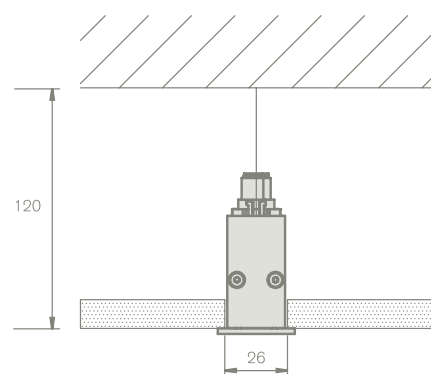
Optical specifications

Light sources	3-in-1 RGB LEDs
Beam angle	120°
Light distribution	Lambertian
Typical wavelengths	red: 632 nm green: 518 nm blue: 468 nm

Dimensions

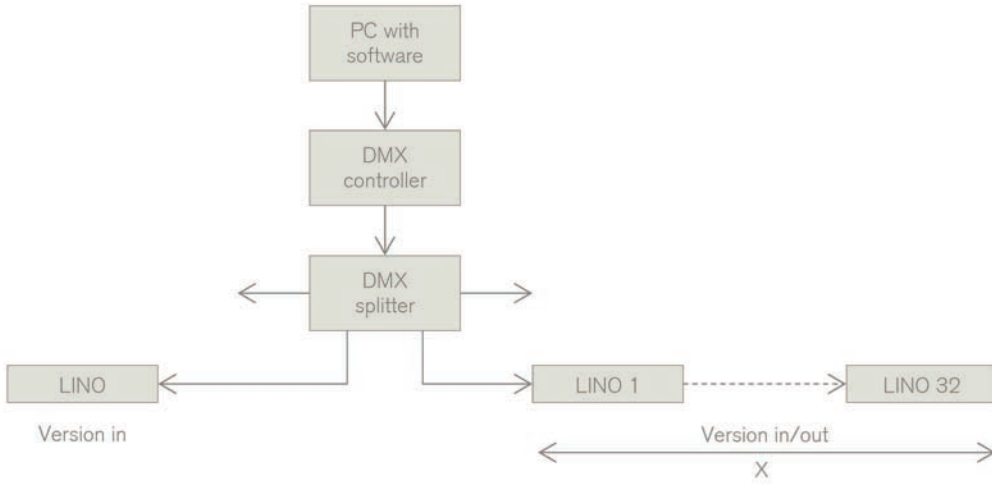


Mounting example



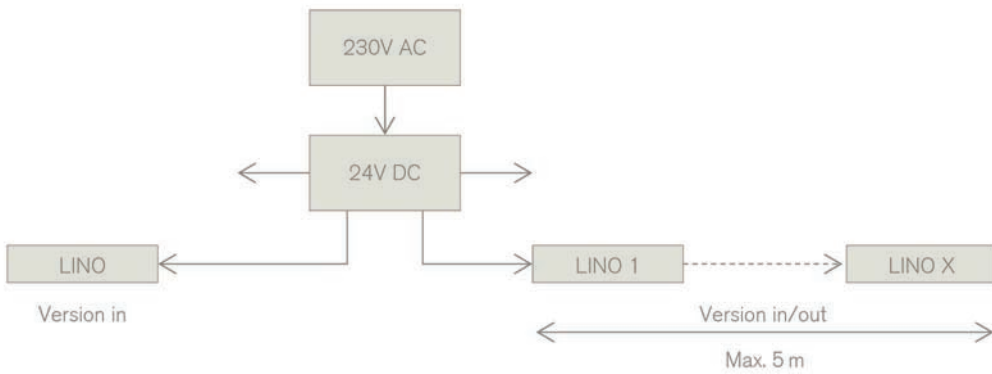
Dimensions in millimetre

Data



Power supply

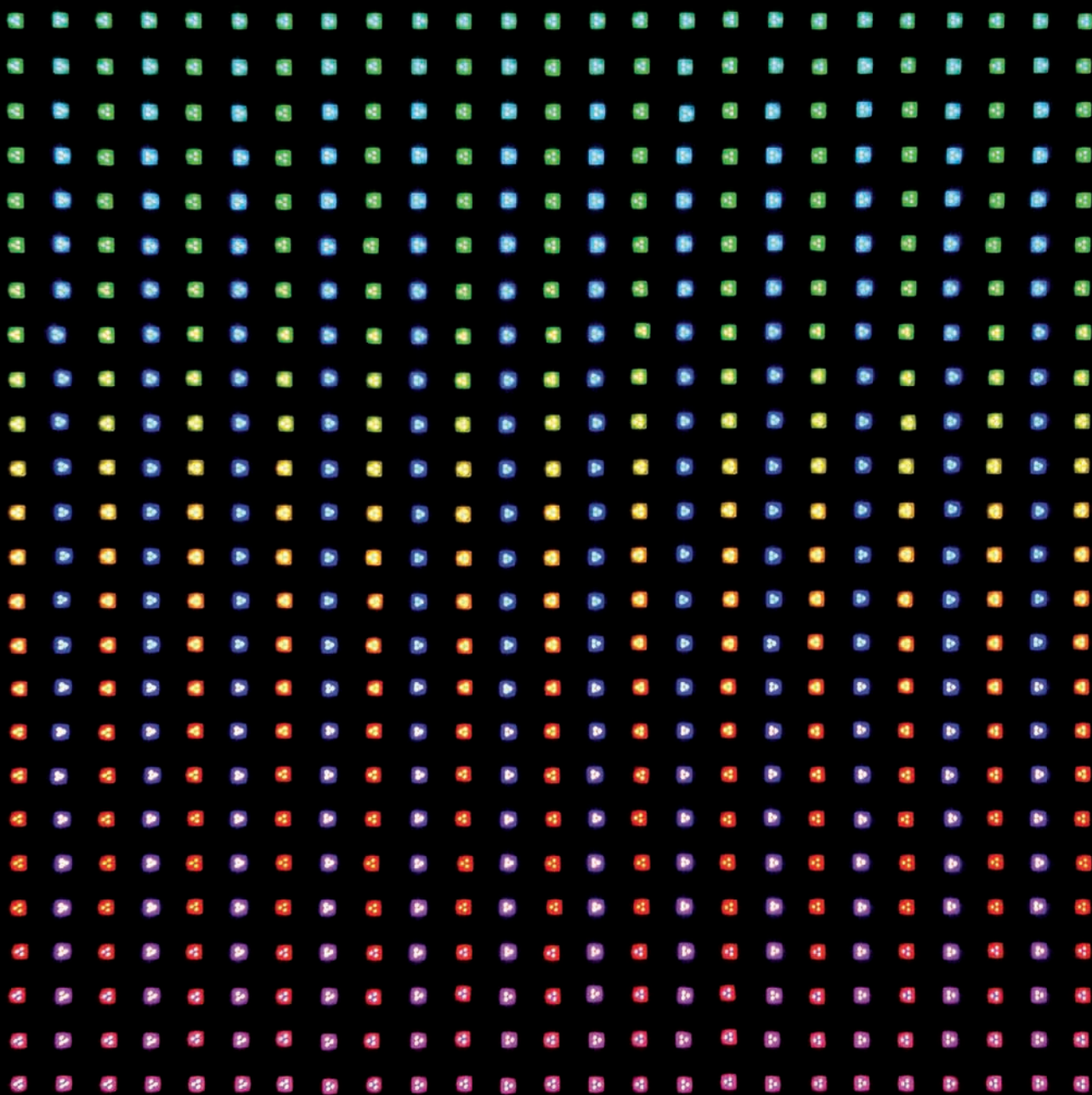
24V DC version



X = For further information please contact Ledon.



LINO at the
Stadion center in
Vienna, Austria



Warranty

The Ledon warranty conditions shall apply.

Technical data correct at time of going to press.

Subject to change without notice.

Art.-Nr. 70422524-UK 11/08 © by Ledon

Ledon Lighting GmbH

Millennium Park 2
6890 Lustenau, Austria

T +43 (0) 5572 3836-0
F +43 (0) 5572 3836-3030
info@ledonlighting.com
www.ledonlighting.com