

1 Scope

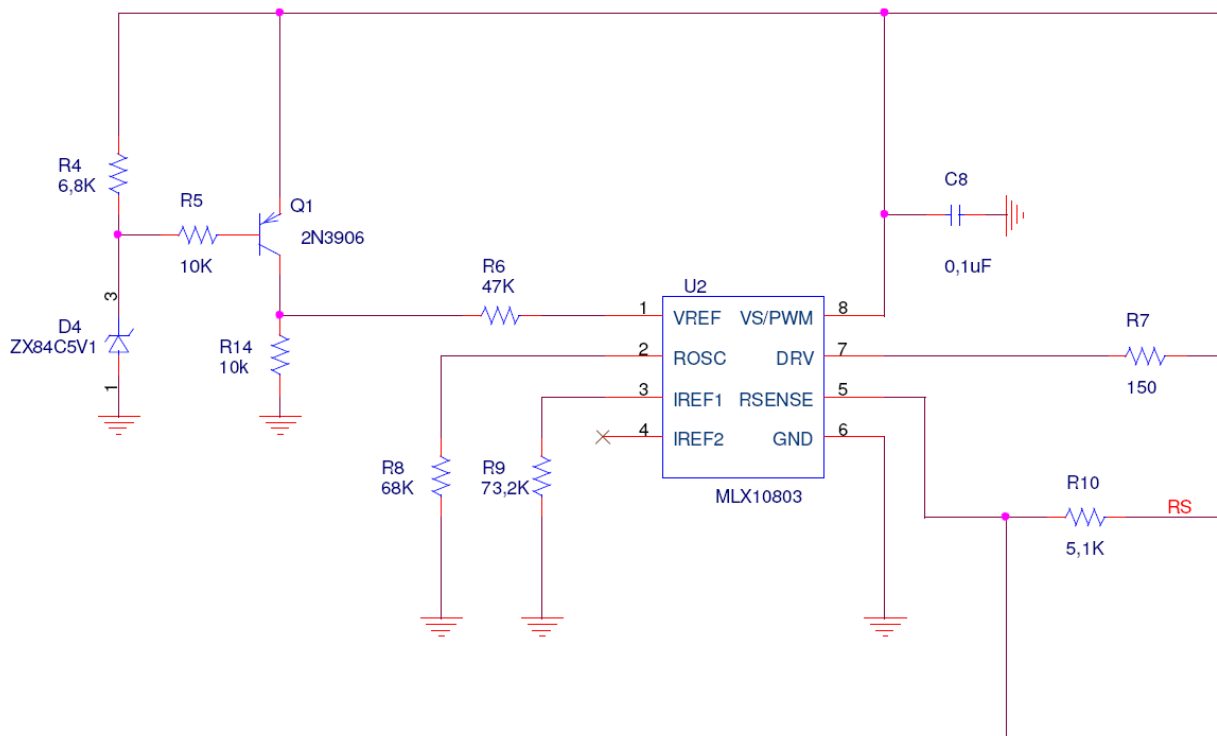
The scope of this application note is to provide an undervoltage shutdown schematic.

2 Under voltage protection

The MLX10803 is specified to operate down to $V_S = 6V$.

For lower voltages (typically starting at $V_S = 5.2V$) the specification of the IREF current sources is not guaranteed, which can lead to a flickering behavior. The MLX10803 goes in power down below 3V

In order to remove this flickering behavior below 6V, the below circuit shows a simple way to shut the LED-current down around 6V.



Undervoltage shutdown circuit on VREF