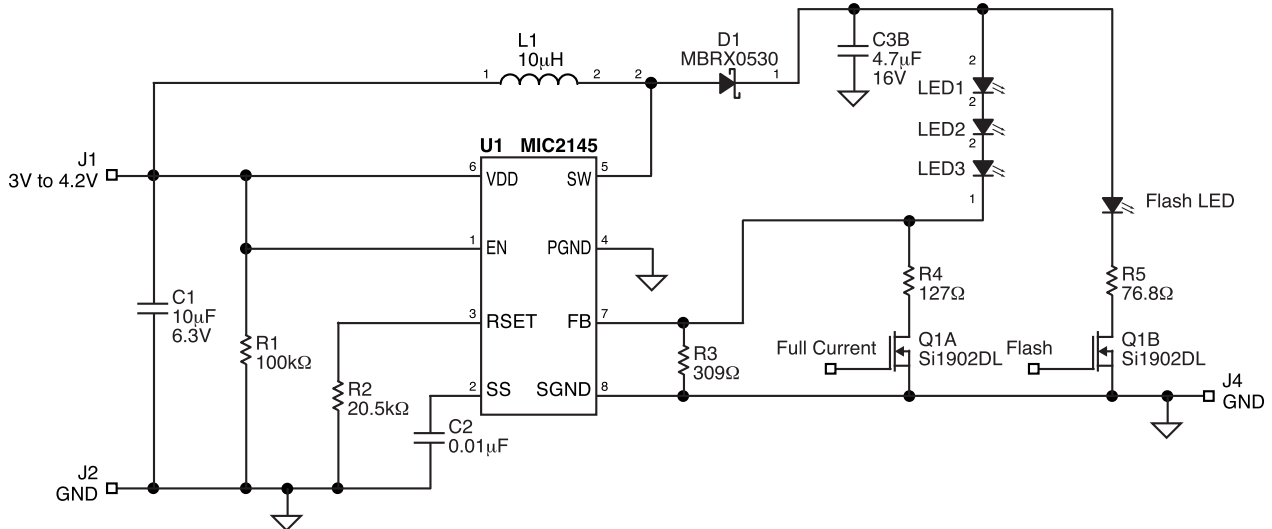


Circuit Performance

- 3.5mA default output LED current
- “Full current” selection increases LED current to 12mA V_{IN}
- “Flash” input enables 150mA flash LED



White LED Backlight with Flash

Bill of Materials

Item	Part Number	Manufacturer	Description	Qty.
C1	GRM42-6X5R106K6.3	Murata ⁽¹⁾	4x 10µF /6.3V	1
C2	GRM40X7R103K50	Murata ⁽¹⁾	0.01µF/ 50V	1
C3	C3216JB1C475K	TDK ⁽²⁾	4.7µF / 16V	1
D1	MBRX0530	Micro Commercial ⁽³⁾	30V, 0.5A, Schottky Diode	1
D1	MBR0530T1	ON Semi. Corp. ⁽⁴⁾	30V, 0.5A, Schottky Diode	1
L1	LDR5610T-100MR9	TDK ⁽²⁾	10µH	1
LED1-LED3	TLMW3101	Vishay Telefunken ⁽⁵⁾	High Intensity SMD LED	8
R1	CRCW06031003FRT1	Vishay Dale ⁽⁶⁾	100kΩ, 1%, 1/10W, size 0603	1
R2	CRCW06032052FRT1	Vishay Dale ⁽⁶⁾	20.5kΩ, 1%, 1/10W, size 0603	1
R3	CRCW06033090FRT1	Vishay Dale ⁽⁶⁾	309Ω, 1%, 1/10W, size 0603	1
R4	CRCW06031270FRT1	Vishay Dale ⁽⁶⁾	127Ω, 1%, 1/10W, size 0603	1
R5	CRCW060376R8FRT1	Vishay Dale ⁽⁶⁾	76.8Ω, 1%, 1/10W, size 0603	1
U1	MIC2145BMM	Micrel, Inc. ⁽⁷⁾	MIC2145BMM	1

1. Murata: www.murata.com
2. TDK: www.tdk.com
3. Micro Commercial: www.mccsemi.com
4. ON Semiconductor Corp.: www.onsemi.com
5. Vishay Telefunken: www.vishay.com
6. Vishay Dale: www.vishay.com
7. **Micrel, Inc.:** www.micrel.com

MICREL, INC. 1849 FORTUNE DRIVE SAN JOSE, CA 95131 USA

TEL + 1 (408) 944-0800 FAX + 1 (408) 944-0970 WEB <http://www.micrel.com>

The information furnished by Micrel in this datasheet is believed to be accurate and reliable. However, no responsibility is assumed by Micrel for its use. Micrel reserves the right to change circuitry and specifications at any time without notification to the customer.

Micrel Products are not designed or authorized for use as components in life support appliances, devices or systems where malfunction of a product can reasonably be expected to result in personal injury. Life support devices or systems are devices or systems that (a) are intended for surgical implant into the body or (b) support or sustain life, and whose failure to perform can be reasonably expected to result in a significant injury to the user. A Purchaser's use or sale of Micrel Products for use in life support appliances, devices or systems is at Purchaser's own risk and Purchaser agrees to fully indemnify Micrel for any damages resulting from such use or sale.

© 2003 Micrel, Incorporated.