

IRISin String

PRODUCT FEATURES

- Flexible LED string lighting solution
- Designed for accent or perimeter lighting
- Used as an component of a custom fixture
- Cost-effective and easy to assemble
- Create more than one billion colors
- Dynamic color demonstration
- Entire cabinet comply with IP66



APPLICATION

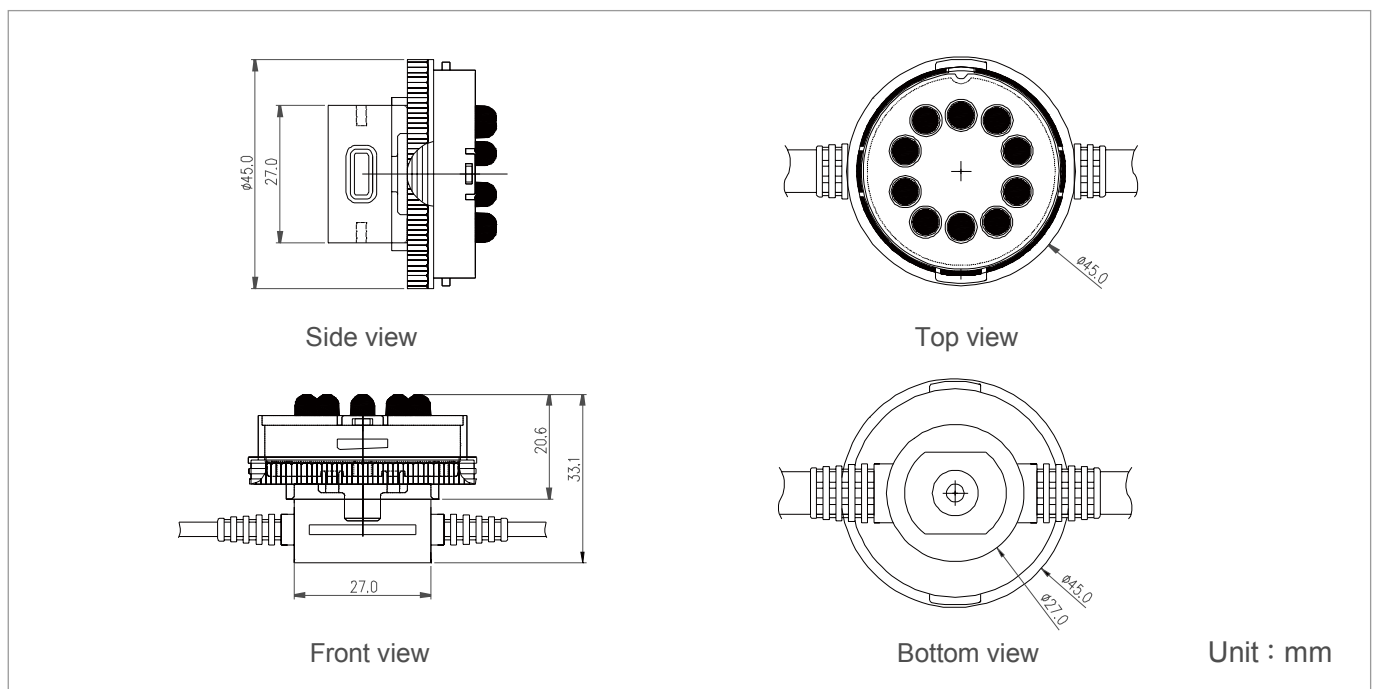
- Architectural lighting
- Building and object decoration
- Specially entertainment effect



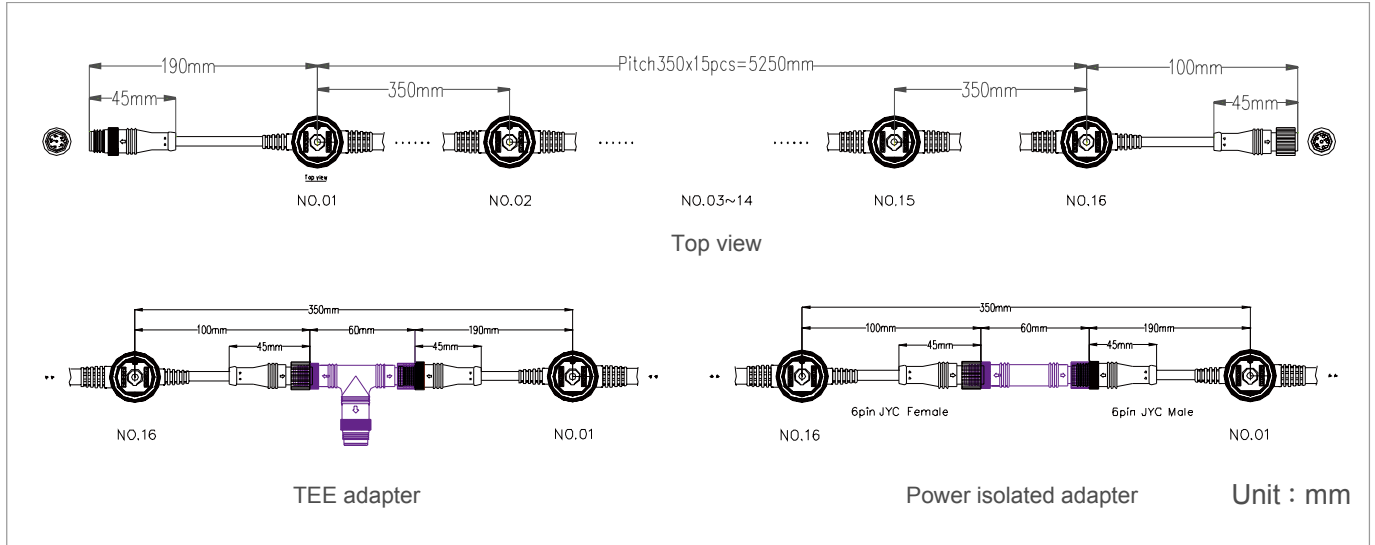
PRODUCT SPECIFICATIONS

Model number	Pixel specification					String specification							
	Color	Diameter (mm)	Applied voltage	LEDs	Luminance intensity (cd)	Pixel	Pitch (mm)	Power consumption	View angle	Weight (kg)	Housing	IP	Operating temperature
ISI45F103N01	Full Color	45	12VDC	4R 3G 3B	10	16	350	16W	30°	0.6	PC	66	-20°C~50°C

PIXEL PHYSICAL DIMENSIONS

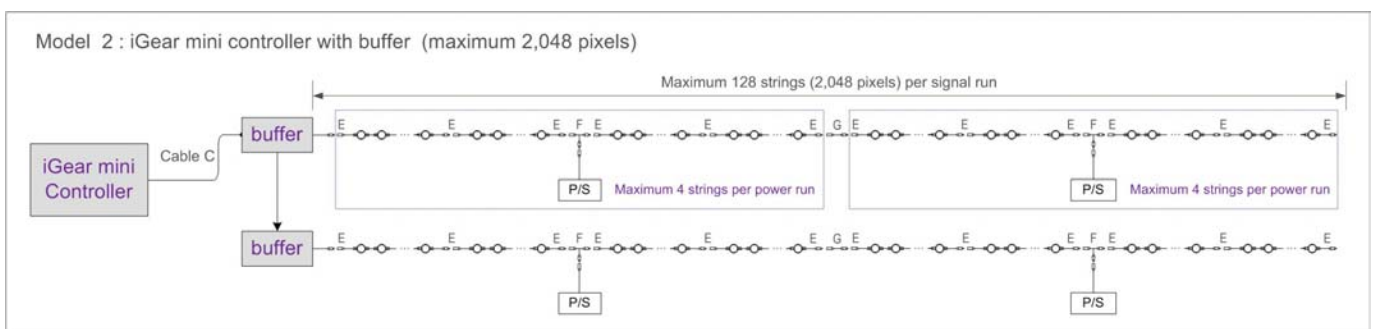
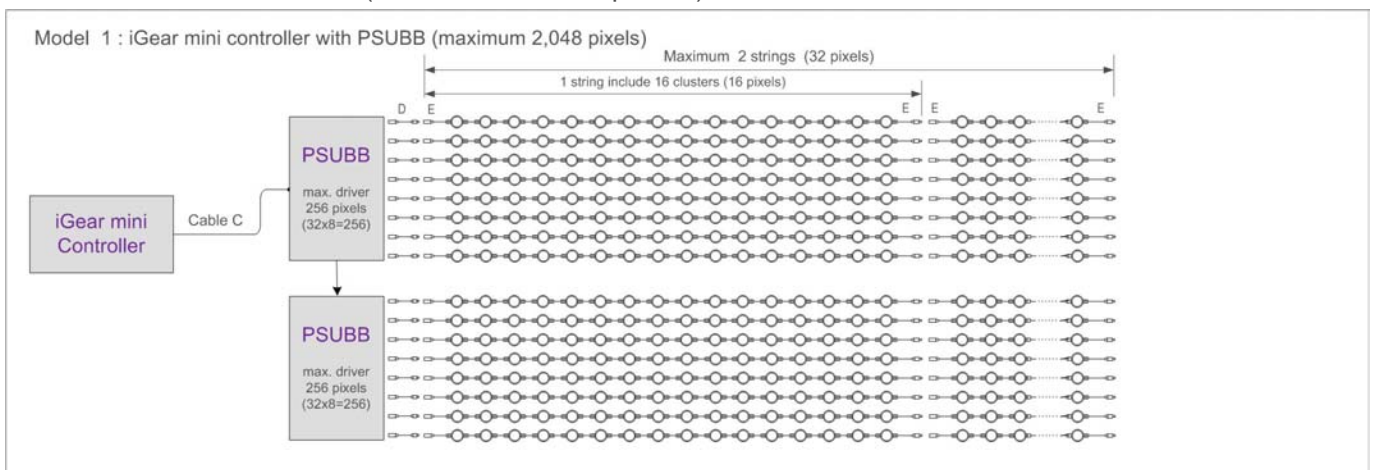


STRING PHYSICAL DIMENSIONS

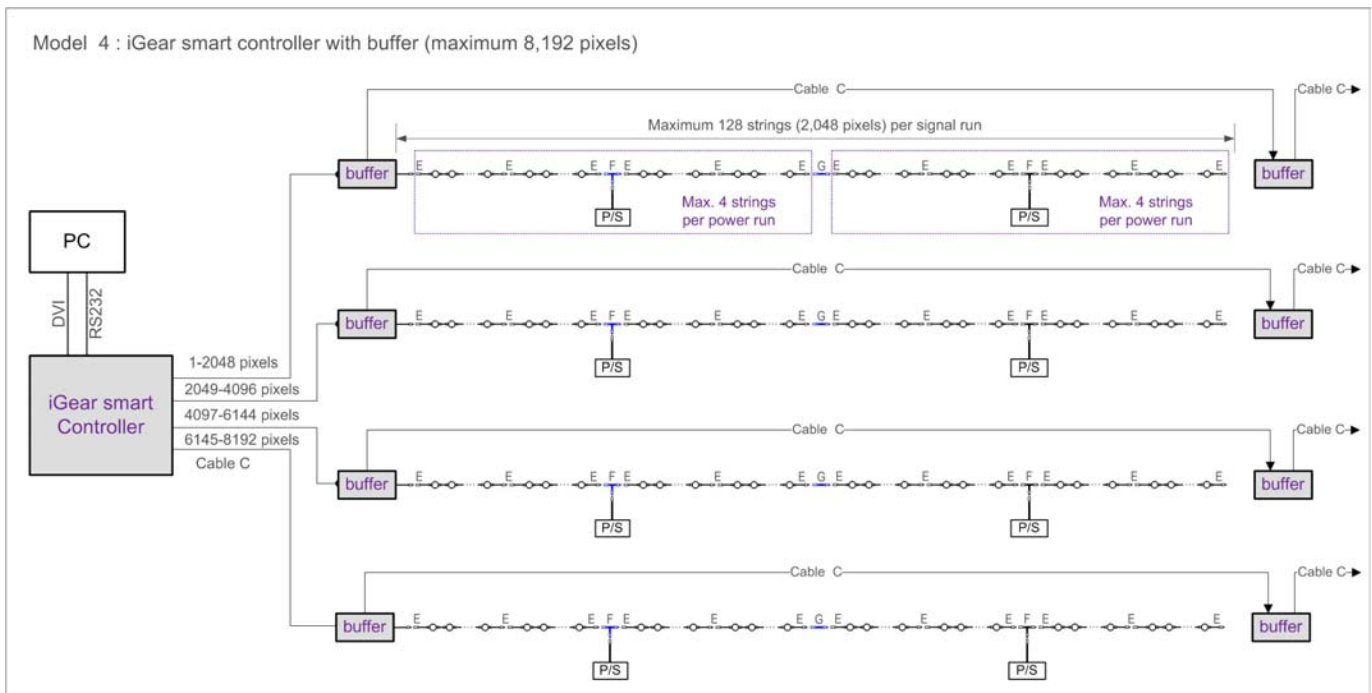
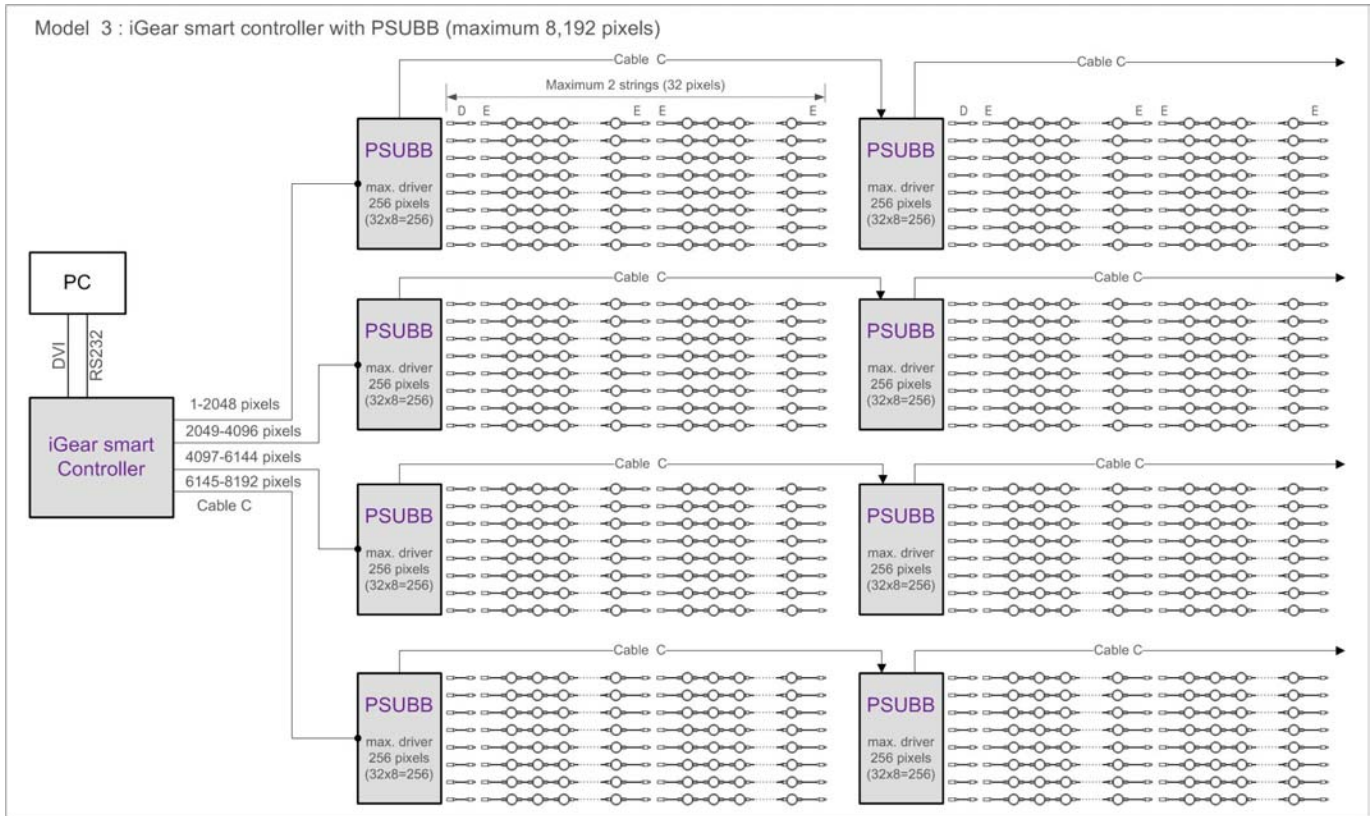


POWER & SIGNAL CONNECTION DIAGRAM

- iGear mini controller (maximum 2,048 pixels)



- iGear smart controller (maximum 8,192 pixels)



- Cable C : 3 twist pairs RS-422 cable, max length 30m.
- Cable D : 6 pins extension cable, max length 3m.
- Cable E : 6 pins power and signal cable, length 10cm.
- Adapter F : TEE adapter.
- Adapter G : power isolated adapter.