

POWER MANAGEMENT

Description

The SC1462A is a versatile charge pump designed for use in battery operated power supply applications over the wide input range of 1.65 to 5.5 volts. A simple, low quiescent current charge pump doubler can be implemented without costly inductors or capacitors. Internal MOSFETs and control circuitry eliminate the need for costly board space and design time. The small 6 lead SOT-23 package helps minimize board space.

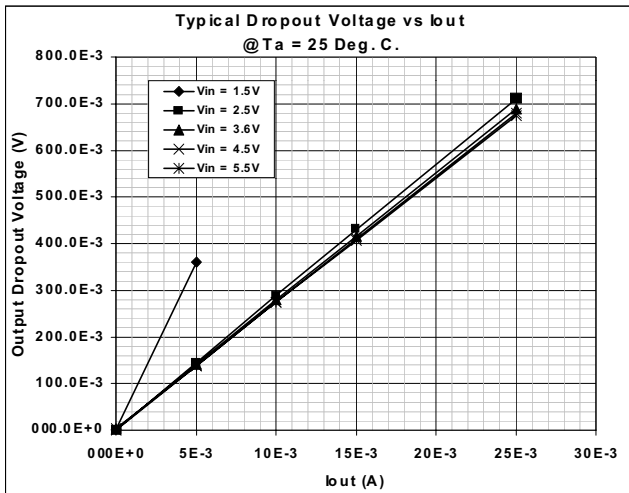
The SC1462A charge pump can be used for applications that require up to 25mA of output current with $V_{IN} = 2.5V$ to 5.5V. Typical dropout voltage ($2*V_{in}$)- V_{out} is shown on page 8 for several values of V_{in} .

Features

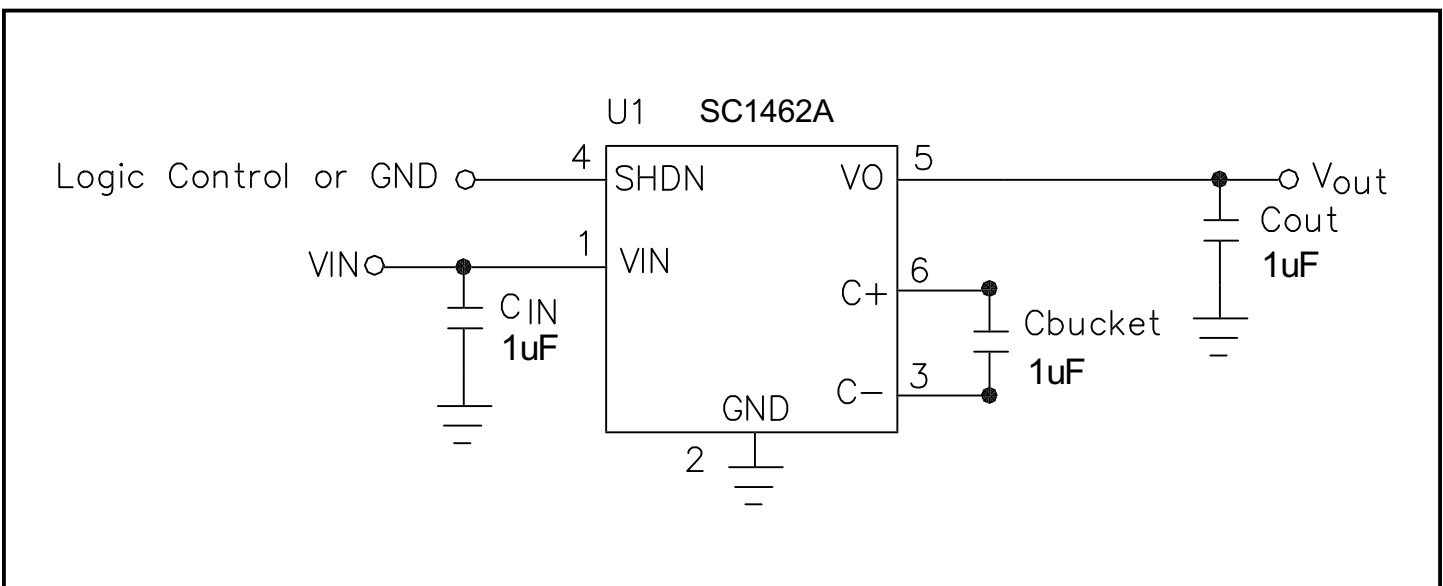
- ◆ Input supply voltage range of 1.65V to 5.5V
- ◆ Small size - 6 pin SOT-23 package
- ◆ Typical efficiency of :
91% @ $V_{in} = 2.5V$, $I_{out} = 15mA$
- ◆ Short circuit and over-temperature protection
- ◆ 55 μA typical input current @ no load
- ◆ Shutdown current <1 μA
- ◆ Designed to work with ceramic or Tantalum capacitors
- ◆ Fixed frequency of 32kHz
- ◆ All specifications rated over full temperature range (-40°C to 85°C)

Applications

- ◆ Cellular phones
- ◆ Handheld devices
- ◆ LCD display



Typical Application Schematic



POWER MANAGEMENT
Absolute Maximum Rating

Parameter	Symbol	Maximum	Units
Supply Voltage	V _{IN}	-0.3 to +6.0	V
Output Voltage	V _O	-0.3 to +12	V
V _{OUT} Short Circuit Duration	SC	Indefinite	
Thermal Resistance Junction to Ambient	θ_{JA}	230	°C/W
Operating Ambient Temperature Range	T _A	-40 to +85	°C
Junction Temperature Range	T _J	-40 to +125	°C
Storage Temperature Range	T _{STG}	-65 to +150	°C
Lead Temperature (Soldering) 10 seconds	T _L	300	°C

Electrical Characteristics

Unless specified:

 T_A = -40°C to 85°C, SHDN = GND, 1.65V ≤ V_{IN} ≤ 5.5V, Frequency = 32 kHz, C_{IN} = C_{OUT} = C_{BUCKET} = 1.0μF (ESR = 0.3Ω).

Parameter	Symbol	Conditions	MIN	TYP	MAX	Units
Input Supply Voltage	V _{IN}		1.65		5.5	V
Input Supply Current	I _{IN}	I _O = 0, V _{IN} = 2.5V		55	75	μA
		I _O = 0, V _{IN} = 5.0V		160	225	μA
		SHDN = V _{IN}		0.1	1	μA
Output Resistance ⁽⁵⁾	R _{OUT}	V _{IN} = 2.5V		50	60	Ω
Output Resistance ⁽⁵⁾	R _{OUT}	V _{IN} = 5.0V		38	45	Ω
Total Switch Resistance ⁽⁶⁾	R _{SW}	V _{IN} = 2.5V		8.5		Ω
Total Switch Resistance ⁽⁶⁾	R _{SW}	V _{IN} = 5.0V		7.4		Ω
Output Current	I _O	V _{IN} = 2.5V			25	mA
Oscillator Frequency	OSC		22	32	42	KHz
Short Circuit Current	I _{SC}	V _{OUT} = 0V		100		mA
Output ripple (pk-pk) ⁽¹⁾⁽³⁾	V _R	I _O = 8mA, V _{IN} = 2.5V		290		mV
Power Efficiency ⁽¹⁾	η	I _O = 8mA, V _{IN} = 2.5V	90			%
		I _O = 15mA, V _{IN} = 5.0V	90			%
Maximum Output Voltage ⁽³⁾	V _{out}	I _O = 0mA			2*V _{in}	V
Input High Threshold	V _{IH}	SHDN pin, 2.5V ≤ V _{IN} ≤ 5.5V	1.6			V
Input Low Threshold	V _{IL}	SHDN pin, 2.5V ≤ V _{IN} ≤ 5.5V			0.4	V

POWER MANAGEMENT
Electrical Characteristics (Cont.)

Unless specified:

$T_A = -40^{\circ}\text{C}$ to 85°C , SHDN = GND, $1.65\text{V} \leq V_{IN} \leq 5.5\text{V}$, Frequency = 32 kHz, $C_{IN} = C_{OUT} = C_{BUCKET} = 1.0\mu\text{F}$ (ESR = 0.3Ω).

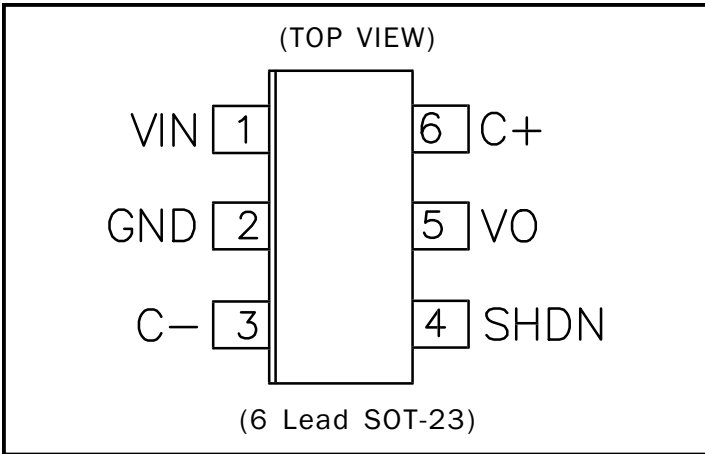
Parameter	Symbol	Conditions	MIN	TYP	MAX	Units
Time to Regulation at Turn on ⁽²⁾	t_{ON}	$I_O = 0$ to 15mA, $V_{IN} = 5.0\text{V}$		350		us
Over Temperature Protection ⁽³⁾	O.T.			140		$^{\circ}\text{C}$
Over Temperature Hysteresis ⁽³⁾	O.T.H.			20		$^{\circ}\text{C}$

NOTES:

- (1) All electrical characteristics are for the application circuit on page 1.
- (2) Soft start functionality is performed along with short circuit protection. If V_{OUT} is less than $V_{IN} - 200\text{mV}$, then all switches are turned off and V_{OUT} is charged with a 100mA current source from V_{IN} . When V_{OUT} reaches $V_{IN} - 200\text{mV}$ all switches are enabled.
- (3) Guaranteed by design.
- (4) This device is ESD sensitive. Use of standard ESD handling precautions is required.
- (5) The internal switch resistance, the capacitor ESR and the oscillator's switching frequency all contribute to R_{OUT} . See the CAPACITOR SELECTION section for information on applying the R_{OUT} specification.
- (6) The parameter R_{SW} is equal to the total resistance of all 4 internal switches. See the CAPACITOR SELECTION section for information on applying the R_{SW} specification. The parameter was calculated from actual output resistance and the equation on page 6 for R_{OUT} .

POWER MANAGEMENT

Pin Configuration



Ordering Information

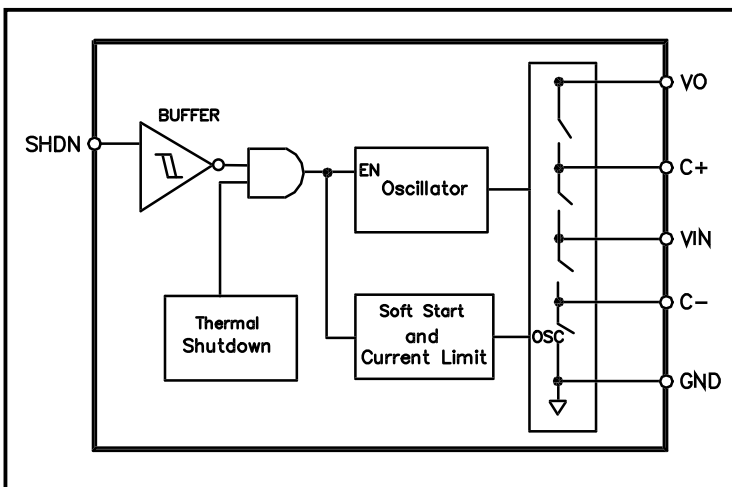
Part Number ⁽¹⁾	Package
SC1462AISKTR	SOT-23-6

Note: (1) Only available in tape and reel packaging. A reel contains 3000 devices.

Pin Descriptions

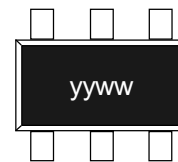
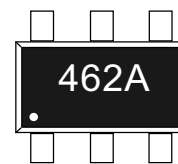
Pin # SOT-23-6	Pin Name	Pin Function
1	VIN	Supply voltage input.
2	GND	Ground.
3	C-	This pin should be connected to the negative terminal of the external charging capacitor.
4	SHDN	Shutdown pin. When this pin is connected to VIN, the device enters sleep mode.
5	VO	Voltage output.
6	C+	This pin should be connected to the positive terminal of the external charging capacitor.

Block Diagram



Marking Information

Top Mark



Bottom Mark

yyww = Datecode (Example : 9908)

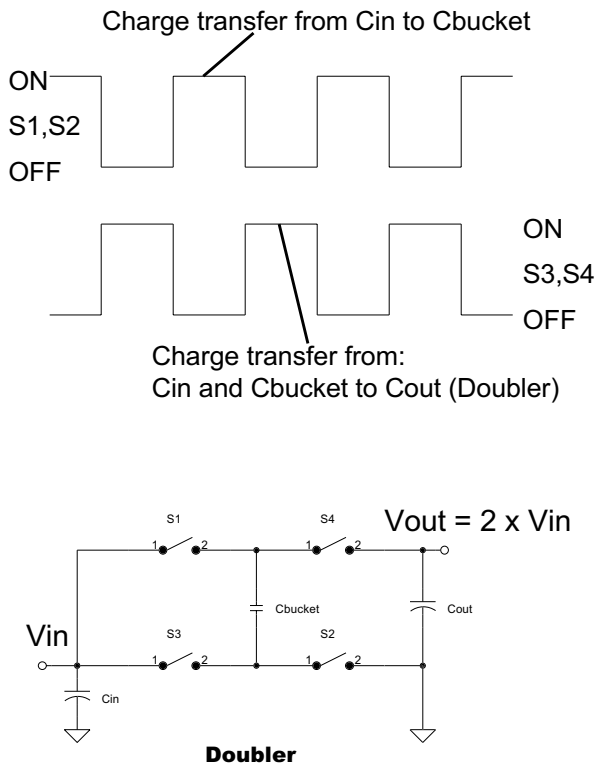
POWER MANAGEMENT

Applications Information

THEORY OF OPERATION

The SC1462A utilizes a switched capacitor charge pump, to generate an output voltage approximately 2xVin.

An internal oscillator generates two out of phase fixed frequency clock signals which turn on and off internal MOSFET switches. During phase1 of clock, the flying charge pump capacitor is charged to Vin through switches S1, and S2. During phase2 the flying charge pump capacitor is connected in series with the input voltage via S3, and S4, producing an output voltage.



If V_{OUT} is less than $V_{IN} - 200mV$, then all switches are turned off and V_{OUT} is charged with a 100mA current source from V_{IN} . When V_{OUT} reaches $V_{IN} - 200mV$, the current source is disconnected from output and the charge pump circuitry is enabled again.

OUTPUT CURRENT

The dropout voltage for a charge pump doubler is defined as $(2*V_{in}) - V_{out}$. The maximum output current is usually specified as that which will not cause the dropout voltage to exceed the requirements of the application. The calculation of the dropout voltage is given in the capacitor selection section on page 6. Typical dropout voltages versus load are graphed on page 8.

THERMAL SHUTDOWN

The thermal shutdown circuit provides added protection to the SC1462A. During a V_{OUT} short circuit condition or if the load is excessive, the over temperature circuitry will shut down the charge pump if the junction temperature exceeds approximately 140°C. The charge pump is enabled only if the junction temperature drops to approximately 120°C. The SC1462A will cycle in and out of thermal shut down until the short circuit or the excessive load condition on V_{out} is removed, there by improving device reliability. The junction temperature can be calculated from the following formula if the ambient temperature (T_a) and the charge pump power dissipation (P_{diss}) are known.

$$T_J = T_a + P_{diss} * \theta_{JA} ; \theta_{JA} = 230 \text{ }^\circ\text{C/W}$$

SHORT CIRCUIT / SOFT START

An internal current limit and soft start circuit provides protection against output short circuit and limits large current spikes generated during the initial start up to charge output capacitor.

POWER MANAGEMENT
Applications Information (Cont.)
CAPACITOR SELECTION

Capacitor selection is based on both the maximum acceptable ripple voltage and the maximum tolerable drop at the output.

Ripple

The peak to peak output ripple voltage is dependent on the following factors:

- 1- Oscillator Frequency
- 2- ESR of C_{OUT}
- 3- Capacitance value of C_{out}

Item 1 is fixed and depend on the charge pump device used. Item 2, and 3 can be optimized for best performance and reduction of the output ripple.

The following formula could be used for an approximation for V_{out_ripple}*

$$V_{out_ripple} = \frac{I_{out}}{2 \times F_{osc} \times C_{out}} + 2 \times I_{out} \times ESR_{C_{out}}$$

Vout Drop

The voltage drop at the output is specified with the following equation:

$$V_{out_drop} = I_{out} \times R_{out}$$

R_{out} is dependent on the following factors:

- 1- Oscillator Frequency
- 2- ESR of C_{OUT} & C_{bucket}
- 3- Capacitance value of C_{OUT} & C_{bucket}
- 4- Internal switch resistance (R_{sw} = Total of all 4 switch resistances).

A good approximation for calculating the output resistance is shown below.

$$R_{out} \cong \frac{1}{F_{osc} \times C_{bucket}} + 2 \times R_{sw} + 4 \times ESR_{C_{bucket}} + ESR_{C_{out}}$$

This equation can be used to calculate C_{bucket} for a specific V_{out} when V_{in} and I_{out} are known. The maximum value for the R_{sw} from the Electrical Characteristics section on page 2 should be used in order to find a worst case number.

LAYOUT CONSIDERATION

Standard power board layout should be followed to ensure proper operation. Any stray inductance should be minimized, this can be achieved by using large power planes or traces, and reducing the distances between input, output and the load. All components should be placed as close as possible to the SC1462A.

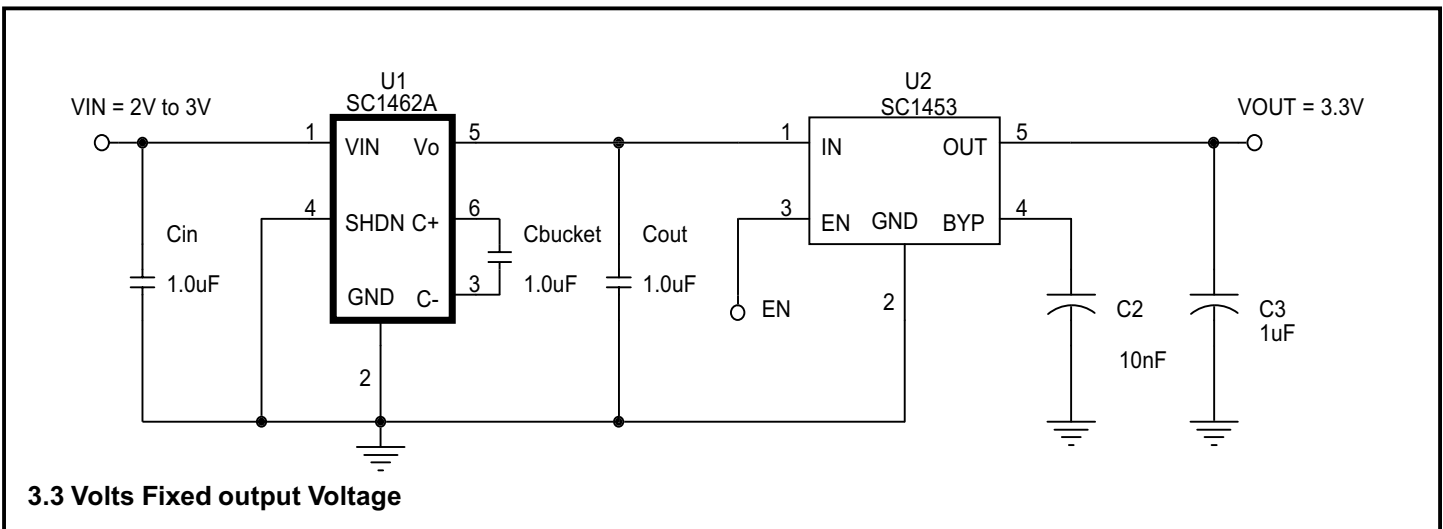
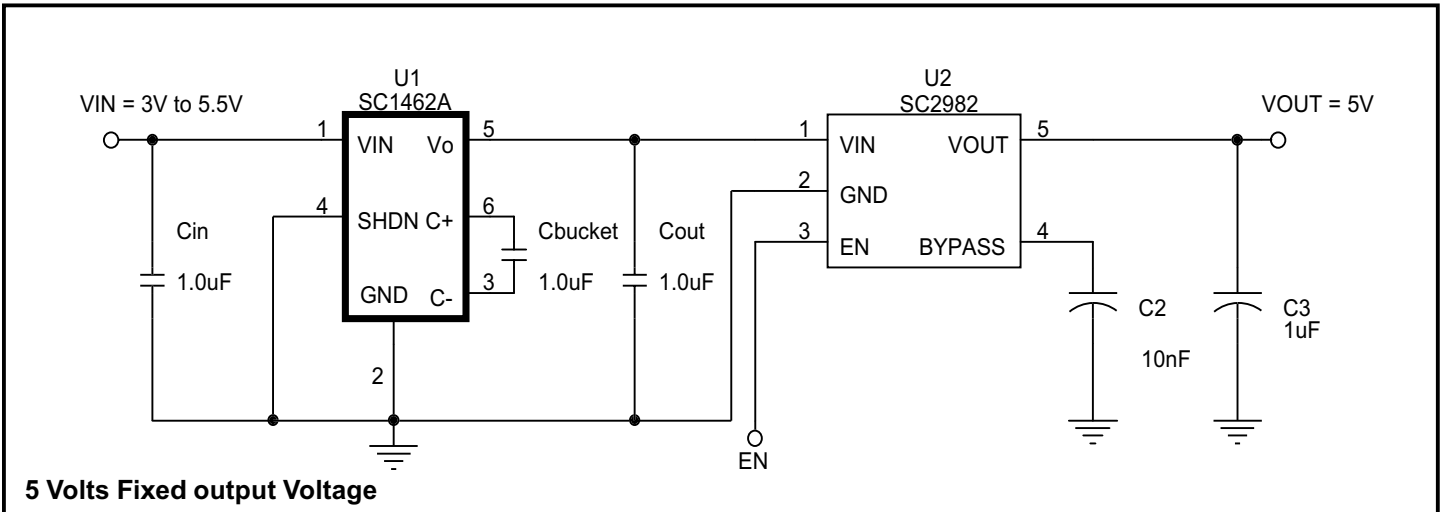
Following tables show typical capacitor characteristics, and capacitor manufactures.

Component	ESR(Ω)	ESL(nH)
0.1uF Ceramic 0603 Package	0.050	1.60
1.0uF Ceramic 1206 Package	0.040	0.47
10uF Ceramic 1206 Package	0.075	0.50
47uF,16V Tantalum D case	0.100	0.60
330uF,6.3V "OSCON"	0.025	2.50
330uF,16V Al. Electrolytic	0.143	2.37
820uF,4V "OSCON"	0.012	2.50
1000uF,10V Al. Electrolytic	0.053	5.00

Capacitor Manufacturers	Phone
AVX Corp.	(803) 448-9411
VISHAY	(207) 324-4140
Nichicon Corp.	(708) 843-7500
muRata	(800) 831-9172
TOKIN	(408) 432-8020
Taiyo Yuden	(800) 348-2496
Sanyo	(619) 661-6835

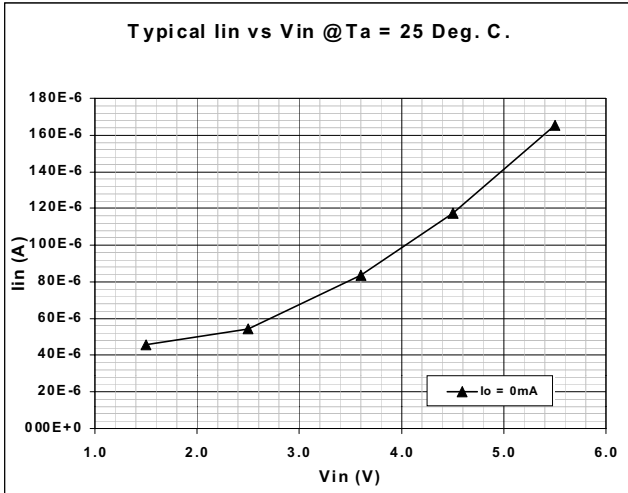
POWER MANAGEMENT

Applications Information (Cont.)

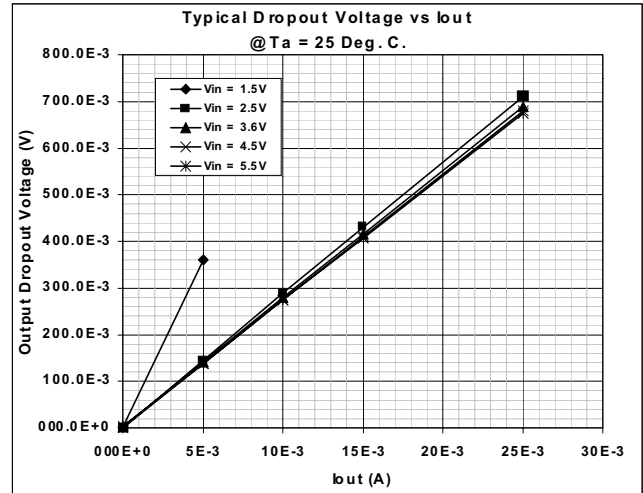


POWER MANAGEMENT

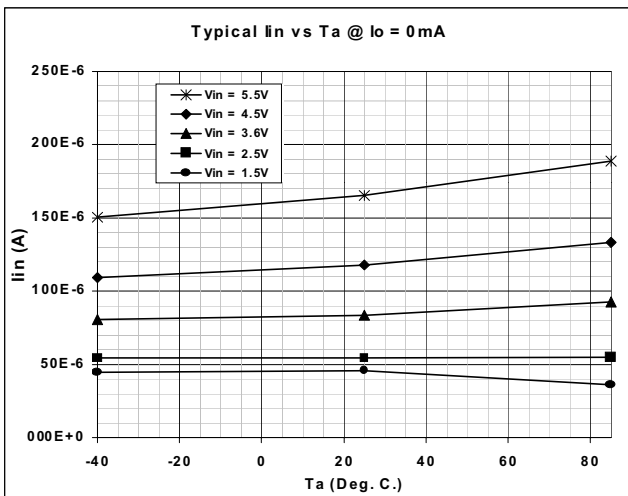
Typical Characteristics



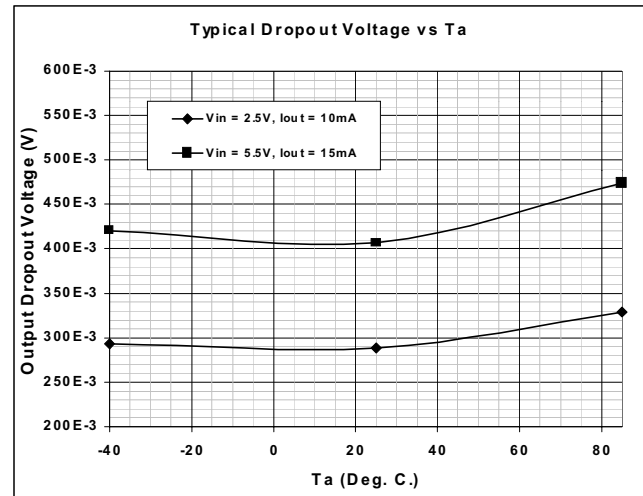
Typical I_{in} vs V_{in} $I_o = 0 \text{ mA}$



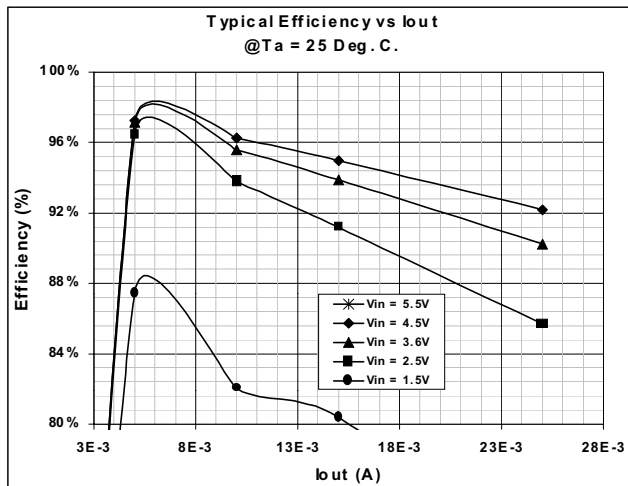
Typical Dropout vs I_{out}



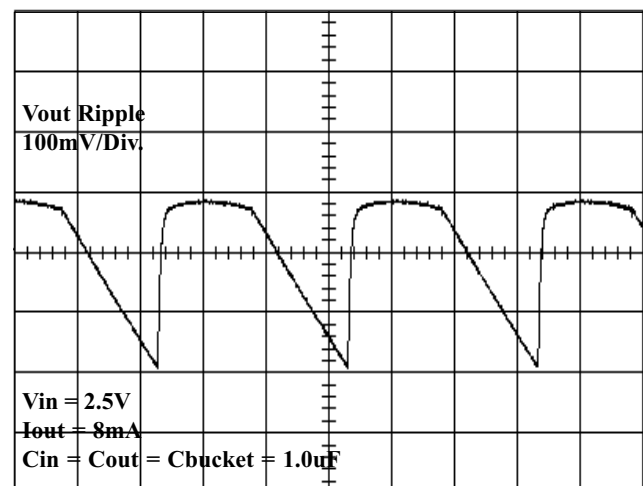
Typical I_{in} vs T_a $I_o = 0 \text{ mA}$



Typical Dropout vs T_a



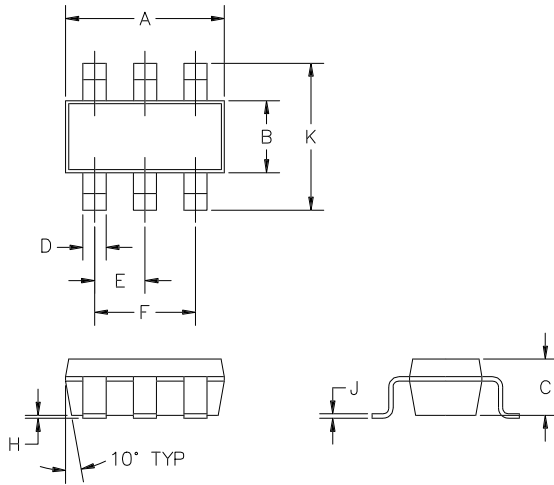
Typical Efficiency vs I_{out}



Typical Output Ripple

POWER MANAGEMENT

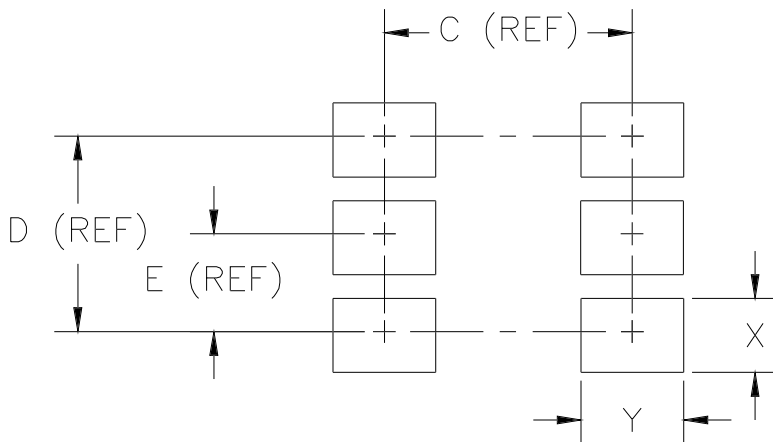
Outline Drawing - SOT-23-6L



DIM ^N	DIMENSIONS ①				NOTE
	INCHES		MM		
A	.110	.120	2.80	3.05	—
B	.059	.070	1.50	1.75	—
C	.036	.051	.90	1.30	—
D	.014	.020	.35	.50	—
E	.033	.040	.85	1.05	—
F	.067	.083	1.7	2.1	—
H	.0004	.006	.010	.150	—
J	.0035	.008	.090	.20	—
K	.102	.118	2.6	3.00	—

- ② PACKAGE OUTLINE EXCLUSIVE OF MOLD FLASH AND METAL BURR.
- ① CONTROLLING DIMENSIONS: MILLIMETERS.

Land Pattern - SOT-23-6L



DIM ^N	DIMENSIONS		
	INCHES	MM	NOTE
C	.094	2.4	—
D	.074	1.9	—
E	.037	.95	—
X	.028	.7	—
Y	.039	1.0	—

Contact Information

Semtech Corporation
 Power Management Products Division
 652 Mitchell Rd., Newbury Park, CA 91320
 Phone: (805)498-2111 FAX (805)498-3804