



Mini Wireless Controller

part No. **SC-WC1-A**

SC-WC1-A is an economic mini wireless controller for RGB LED lights. It is compatible with all RGB light fittings which demand for 12V DC input voltage. Its small size allows perfect designing ideas triggered by designers, architects and project understanters for achieving various color changing patterns.

Easy mounting and "no sweat" operation, SC-WC1-A even helps your LED lighting products controllable by people at bedroom, kitchen, office and gym. No more proeffessional technician! No more know-how manuals!

With SC-WC1-A you easily get the following color patterns.

- 1 Static red
- 2 Static yellow
- 3 Static blue
- 4 Static cyan
- 5 Static green
- 6 Static purple
- 7 Static white
- 8 Jumpy changing
- 9 Gradual changing



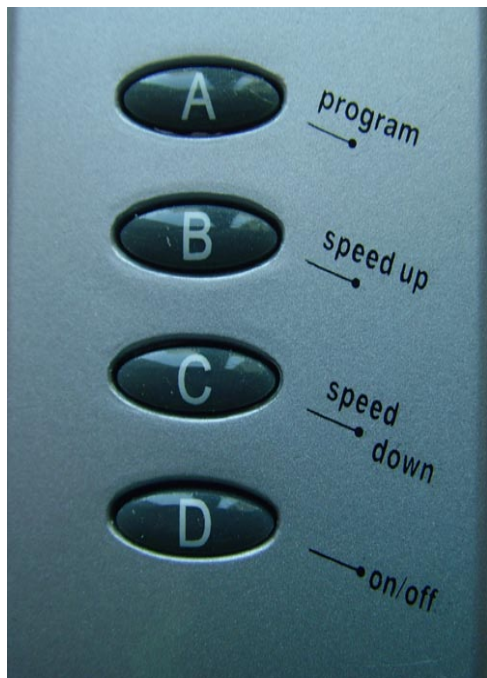
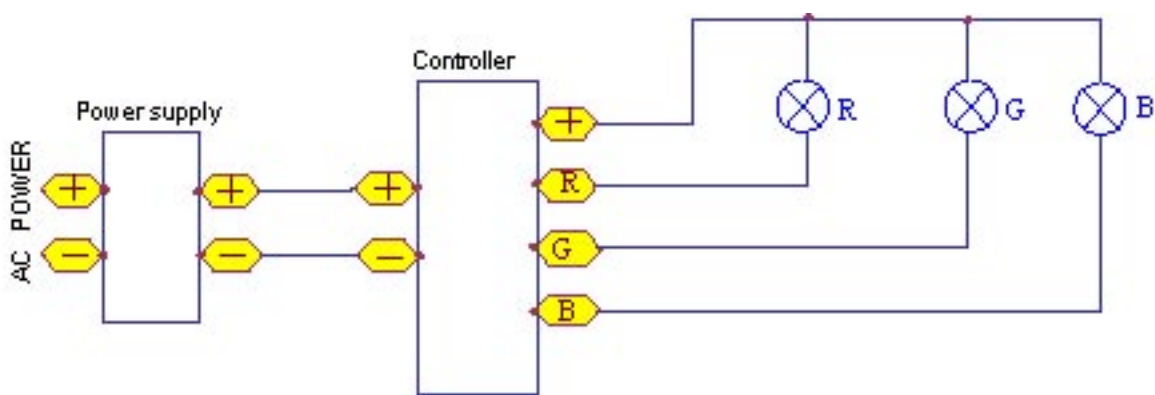
Signcomplex Limited ©

China sales office: 7B, Bldg. B, Jingpingju, No. 4052, Nanhai Ave.
Nanshan District, Shenzhen, China www.signcomplex.com
Phone: +86 755 2760 8650 Fax: +86 755 2760 8651

Email: sales@signcomplex.com

How to connect the device with your lights?

Besides the wireless controller, you also need a suitable power supply (some people call "adaptor") to feed the power with 12V DC. It is recommended power supplies with 0.3A to 8A to be used to drive SC-WC1.



Signcomplex Limited ©

China sales office: 7B, Bldg. B, Jingpingju, No. 4052, Nanhai Ave.
Nanshan District, Shenzhen, China www.signcomplex.com
Phone: +86 755 2760 8650 Fax: +86 755 2760 8651

Email: sales@signcomplex.com

Basic specifications

- Working temperature: -25~60 celsius degrees
- Rated load current: 10A
- Max load current: 15A
- Input and output voltage: 12V DC
- Output: Three CMOS output
- Console weight: 300g

Operation & Safety Information

- Press on the keys with strength less than 20N/cm².
- There should be no barrier between the console and control key panel. And the angle for the console from the IR LED light of the panel is not more than 60 degrees.
- The distance from the console to the control key panel is recommended to be less than 100 meters.
- The control key panel is powered by an alkaline battery 12V 23A. Take it out of the panel to reserve the power if user does not use it for a long time.
- Overload of connecting LED lights on the controller is not allowed. It may cause the lights to emit with inadequate brightness.
- The controller does not work with DMX protocol.
- It is the user's responsibility to provide suitable protection against corrosive agents such as moisture, condensation and other harmful elements.



Signcomplex Limited ©

China sales office: 7B, Bldg. B, Jingpingju, No. 4052, Nanhai Ave.
Nanshan District, Shenzhen, China www.signcomplex.com
Phone: +86 755 2760 8650 Fax: +86 755 2760 8651

Email: sales@signcomplex.com