

Product Summary Sheet

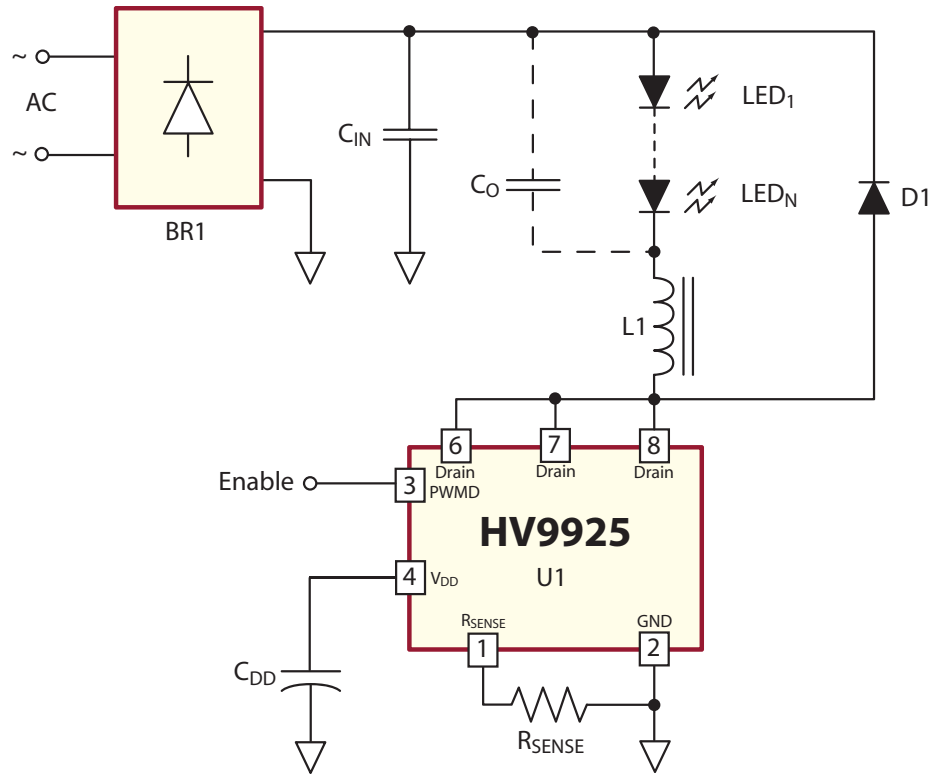
Applications:

- ▶ Decorative Lighting
- ▶ Low Power Light Fixtures
- ▶ LED Signs and Displays
- ▶ Architectural Lighting
- ▶ Incandescent Replacements
- ▶ Industrial Lighting



SOIC (SG)

HV9925 Programmable Current LED Driver with PWM Dimming



Typical Application Circuit

Product Overview:

The HV9925 is a pulse width modulated (PWM) high-efficiency LED driver control IC with PWM dimming capabilities. It allows efficient operation of high brightness LED strings from voltage sources ranging up to 400VDC. The HV9925 includes an internal high-voltage switching MOSFET controlled with a fixed off-time T_{OFF} of approximately 10 μ s. The LED string is driven at constant current, thus providing constant light output and enhanced reliability. Selecting a value of a current sense resistor can externally program the output LED current of the HV9925. The peak current control scheme provides good regulation of the output current throughout the universal AC line voltage range of 85 to 264VAC or DC input voltage of 20 to 400V. The HV9925 is designed with a built in thermal shutdown to prevent excessive power dissipation in the IC.

Features:	Benefits:
Internal MOSFET	Low external part count
DC Input range: 20VDC to 400VDC	Universal Off-line applications of 85VAC – 264VAC, or low voltage architectural lighting.
Fixed Off-Time Control	No compensation circuit needed. Simple control of buck converter. String LEDs up to 80% of input voltage
500V Breakdown Voltage	Meet input transient requirements such as EN61000



HV9925

Programmable Current LED Driver with PWM Dimming

Ordering Information / Availability

<u>Part Number</u>	<u>Package Option</u>	<u>Samples</u>	<u>Lead Time</u>
HV9925SG-G	8 Pin SOIC w/ Heat Slug (Green)	Now	4-5 Weeks

-G indicates the part is RoHS compliant (Green).



Product Contact

For any questions regarding the HV9925, please contact your local area Supertex sales office, or contact the main office in the US at:

Telephone: 800-222-9883
Fax: 408-222-4895
EEmail: mktg@supertex.com
Website: www.supertex.com

Supertex inc.
1235 Bordeaux Drive, Sunnyvale, CA 94089