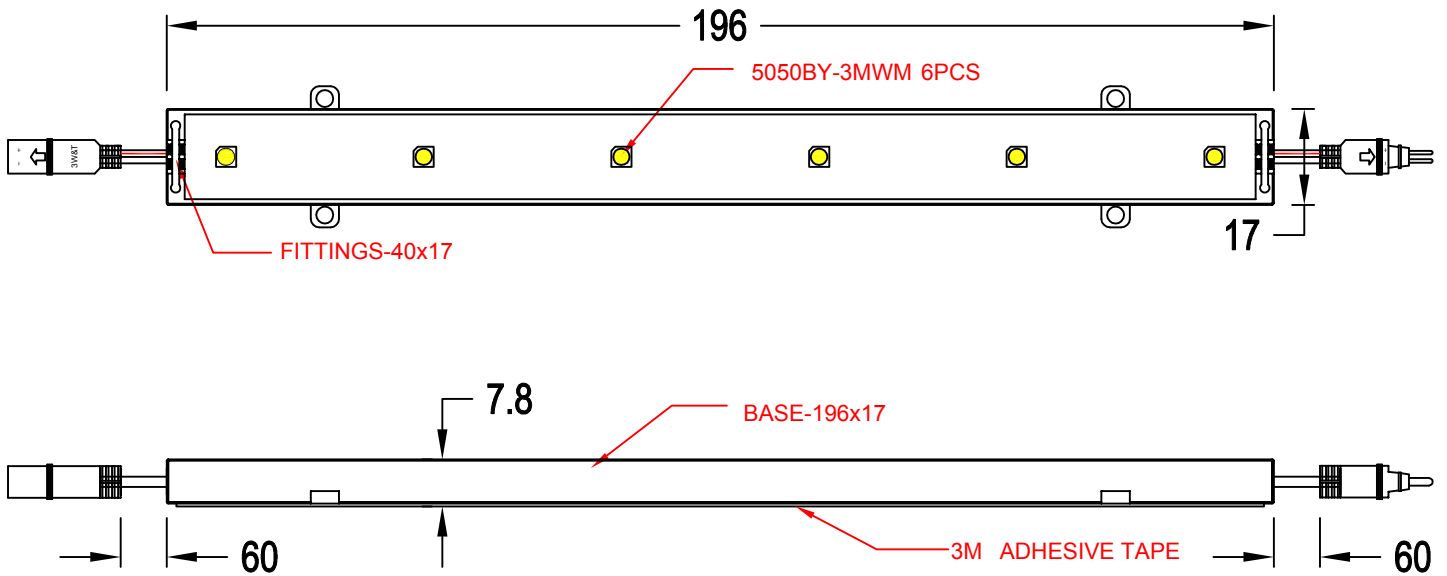




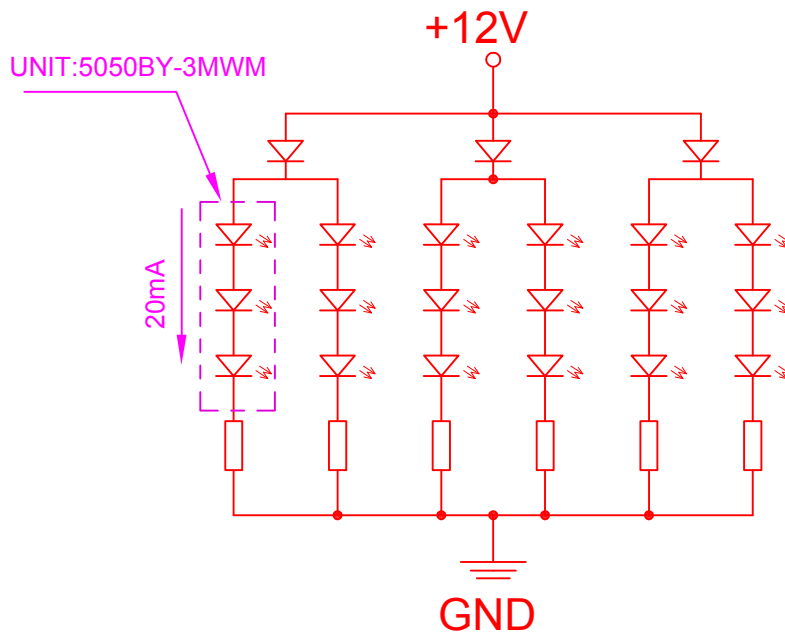
PART NO. : TOLB-R196X17 3 □ □ 6P-DC12V

Emitting color code: W、R、PG、B、Y

PACKAGE DIMENSIONS



INTERNAL CIRCUIT DIAGRAM





FEATURES

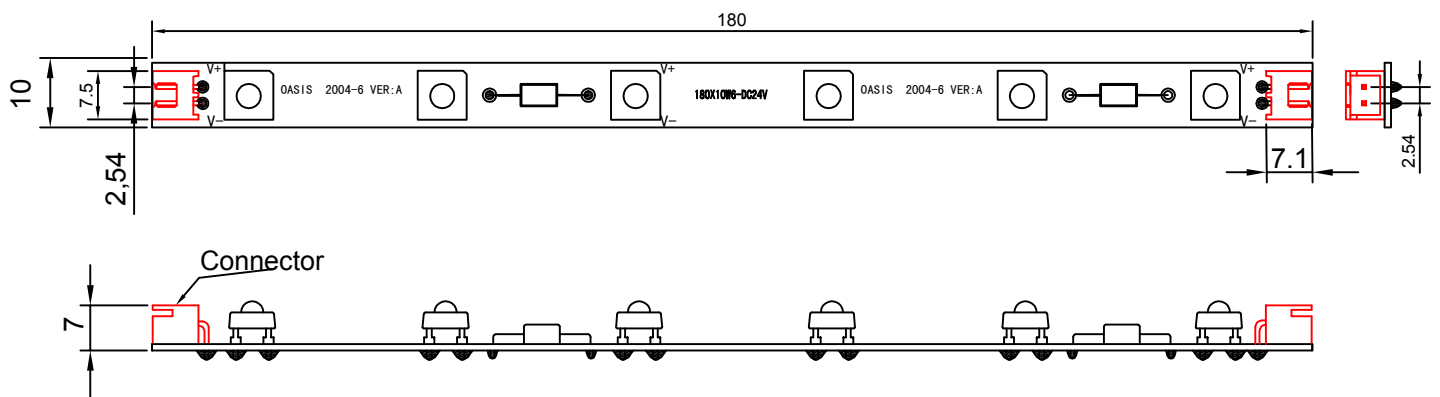
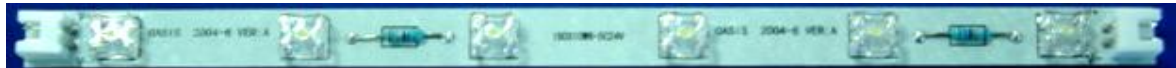
Parameter	Value					Unit
LED color	White	Red	Green	Blue	Yellow	Color
Part NO section	W	R	PG	B	Y	P/N
Luminous Intensity per LED	3910	810	3010	810	1550	mcd
Luminous flux per Unit	85	43	85	45	47	lm
Color Temperture & wave length	X: 0.268 - 0.288 Y: 0.248 - 0.279	620	522	470	590	nm
	X: 0.278 - 0.296 Y: 0.262 - 0.295					
	X: 0.292 - 0.311 Y: 0.276 - 0.305					
	X: 0.287 - 0.309 Y: 0.286 - 0.315					
	X: 0.309 - 0.330 Y: 0.294 - 0.329					
	X: 0.307 - 0.330 Y: 0.305 - 0.339					
LED type	5050					SMD LED
Viewing Angle	120					deg
Operating Voltage(DC)	12					V
Operating Current per Unit(DC)	120					mA
Operating Current per Set(DC)	120					mA
Power Dissipation per Unit	1.44					W
Power Dissipation per Set	1.44					W
Operating temperature Range	-40 to +85					°C
Storge temperature Range	-50 to +85					°C
Weight per unit	38					g
Product type	Waterproof & Prevent Oxidation					type



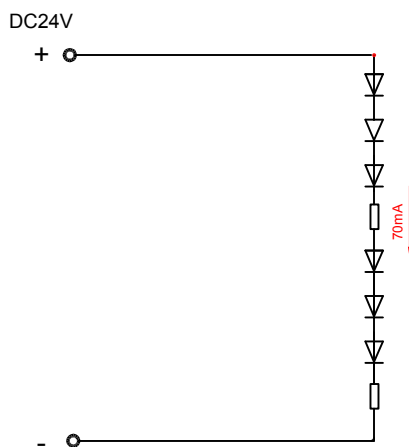
PART NO. : TOLB-180x10 6-DC24V

PACKAGE DIMENSIONS

Emitting color code: W、R、PG、B、Y



INTERNAL CIRCUIT DIAGRAM



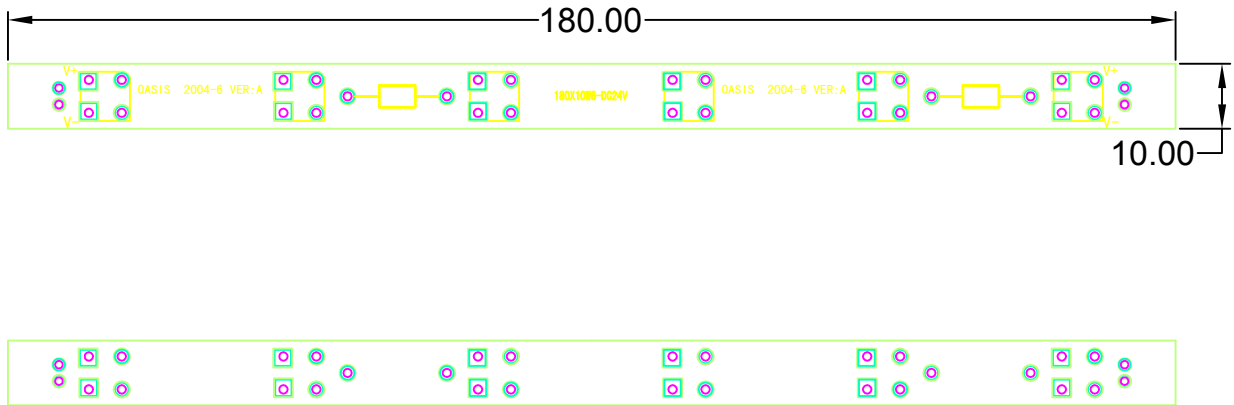


FEATURES

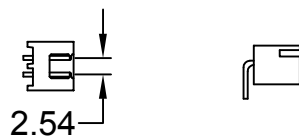
Parameter	Value					Unit
LED color	White	Red	Green	Blue	Yellow	Color
Part NO section	W	R	PG	B	Y	P/N
Luminous Intensity per LED	3000	2100	2500	1000	3200	mcd
Color Temperature & wave length	X: 0.307 - 0.330 Y: 0.305 - 0.339	630	522	470	590	nm
Viewing Angle	55	80	50	60	50	deg
LED type	TOP-C152					FLUX LED
Operating Voltage(DC)	24					V
Operating Current per Unit(DC)	40					mA
Operating Current per Set(DC)	40					mA
Power Dissipation per Unit	0.96					W
Power Dissipation per Set	0.96					W
Operating temperature Range	-40 to +85					°C
Storage temperature Range	-50 to +85					°C
Weight per unit	10					g
Product type	Connecting					type



PCB SIZE&SILK



CONNECTOR

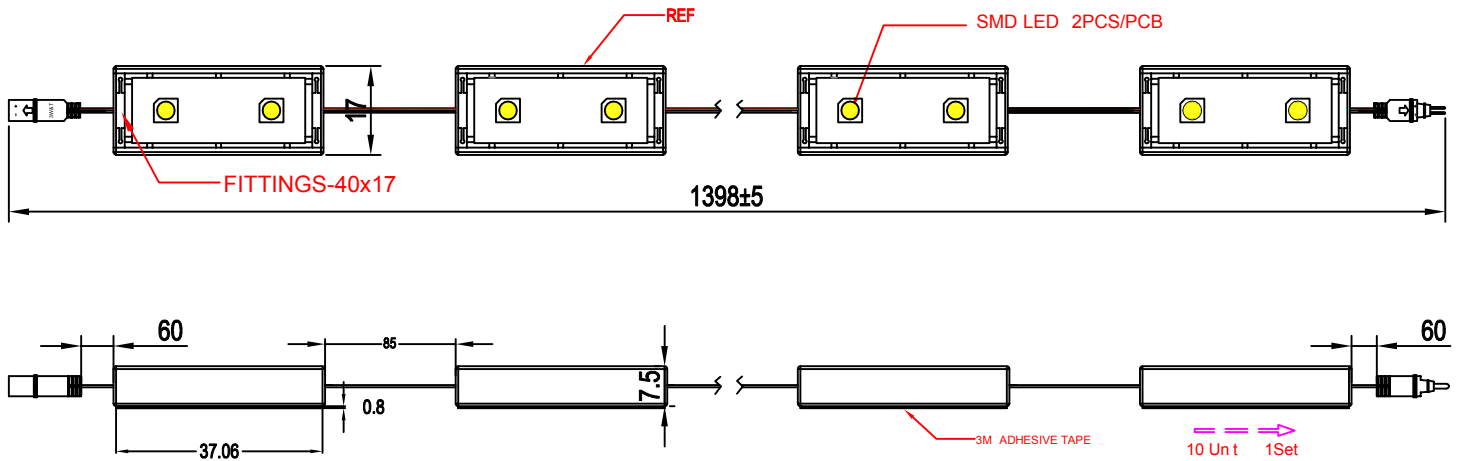




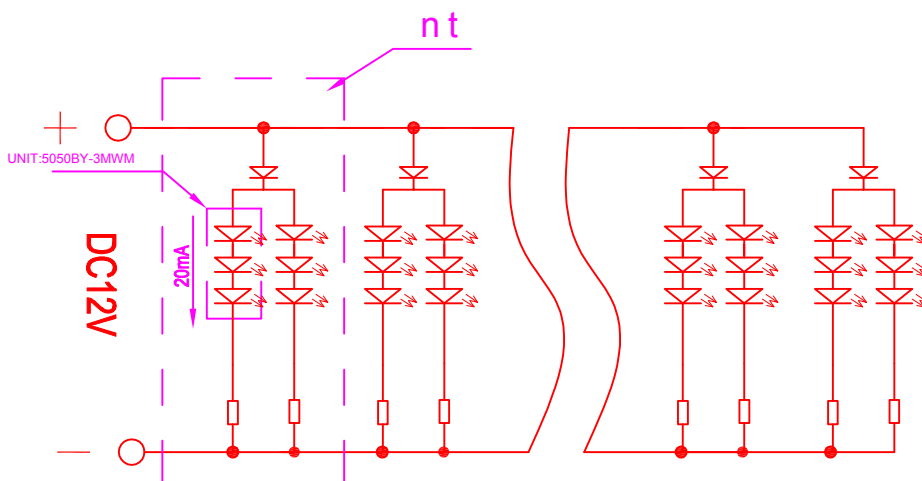
PART NO. : TOLB-R40X17 3 □ □ 2PX10-DC12V

Emitting color code: W、R、PG、B、Y

PACKAGE DIMENSIONS



INTERNAL CIRCUIT DIAGRAM





FEATURES

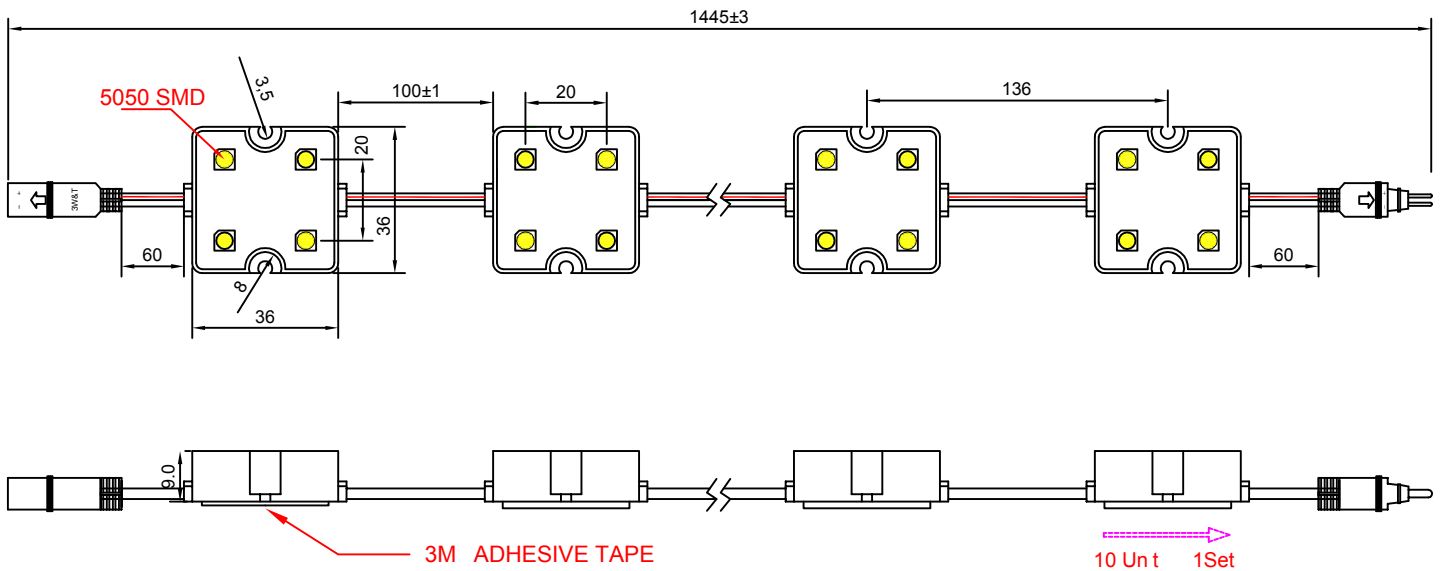
Parameter	Value					Unit						
LED color	White	Red	Green	Blue	Yellow	Color						
Part NO section	W	R	PG	B	Y	P/N						
Luminous Intensity per LED	3910	810	3010	810	1550	mcd						
Luminous flux per Unit	34	17	34	18	19	lm						
Color Temperature & wave length	X: 0.268 - 0.288 Y: 0.248 - 0.279	620	522	470	590	nm						
	X: 0.278 - 0.296 Y: 0.262 - 0.295											
	X: 0.292 - 0.311 Y: 0.276 - 0.305											
	X: 0.287 - 0.309 Y: 0.286 - 0.315											
	X: 0.309 - 0.330 Y: 0.294 - 0.329											
	X: 0.307 - 0.330 Y: 0.305 - 0.339											
	LED type						5050	SMD LED				
	Viewing Angle						120	deg				
Operating Voltage(DC)					12	V						
Operating Current per Unit(DC)					40	mA						
Operating Current per Set(DC)					400	mA						
Power Dissipation per Unit					0.48	W						
Power Dissipation per Set					4.8	W						
Operating temperature Range					-40 to +85	°C						
Storage temperature Range					-50 to +85	°C						
Weight per unit					8	g						
Product type					Waterproof & Prevent Oxidation	type						



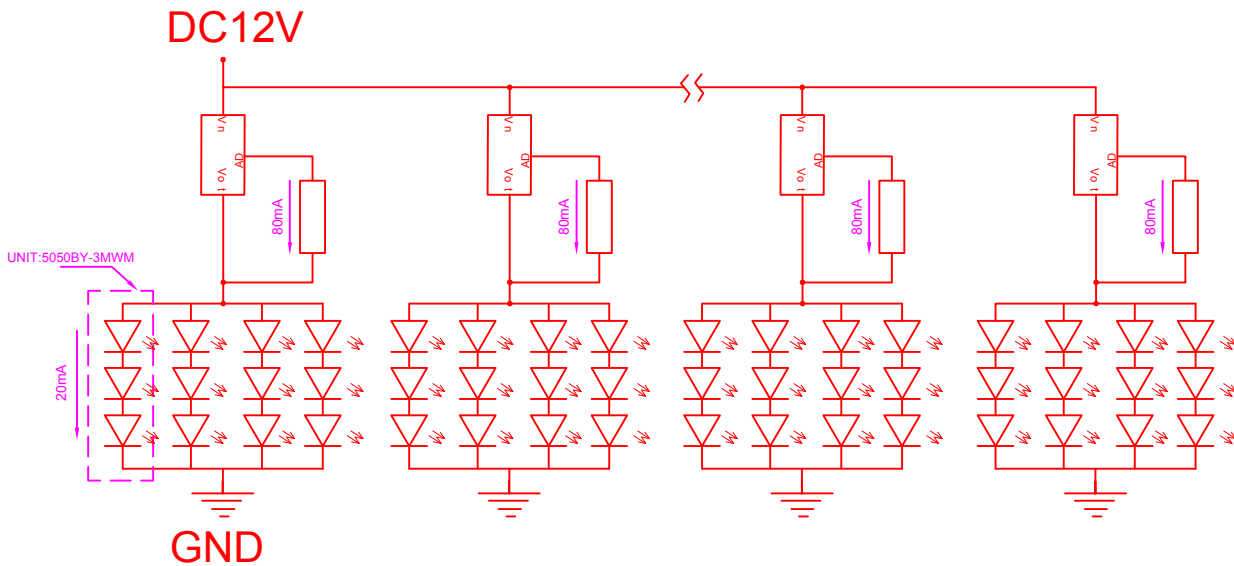
PART NO. : TOLB-R36X36 3 4PX10-DC12V

Emitting color code: W, R, PG, B, Y

PACKAGE DIMENSIONS



INTERNAL CIRCUIT DIAGRAM





FEATURES

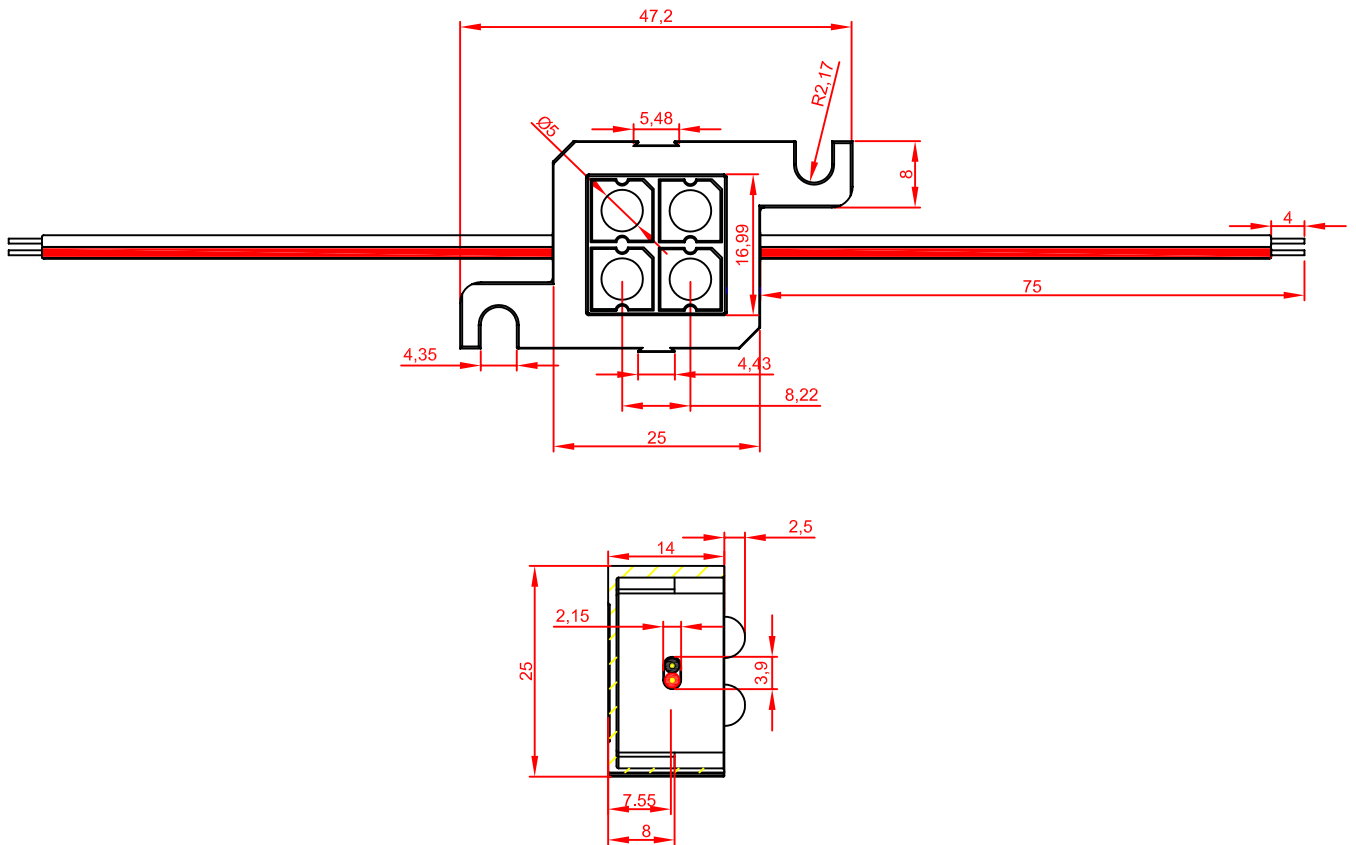
Parameter	Value					Unit						
LED color	White	Red	Green	Blue	Yellow	Color						
Part NO section	W	R	PG	B	Y	P/N						
Luminous Intensity per LED	3910	810	3010	810	1550	mcd						
Luminous flux per Unit	42	21	42	22	23	lm						
Color Temperature & wave length	X: 0.268 - 0.288 Y: 0.248 - 0.279	620	522	470	590	nm						
	X: 0.278 - 0.296 Y: 0.262 - 0.295											
	X: 0.292 - 0.311 Y: 0.276 - 0.305											
	X: 0.287 - 0.309 Y: 0.286 - 0.315											
	X: 0.309 - 0.330 Y: 0.294 - 0.329											
	X: 0.307 - 0.330 Y: 0.305 - 0.339											
	LED type						5050	SMD LED				
	Viewing Angle						120	deg				
Operating Voltage(DC)					12	V						
Operating Current per Unit(DC)					80	mA						
Operating Current per Set(DC)					800	mA						
Power Dissipation per Unit					0.96	W						
Power Dissipation per Set					9.6	W						
Operating temperature Range					-40 to +85	°C						
Storage temperature Range					-50 to +85	°C						
Weight per unit					16	g						
Product type					Waterproof & Prevent Oxidation	type						



PART NO. : TODL-H2504(□□)-DC12V

PACKAGE DIMENSIONS

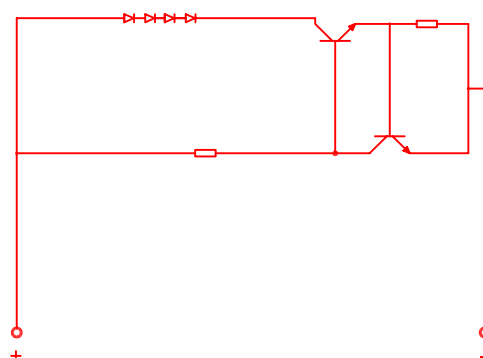
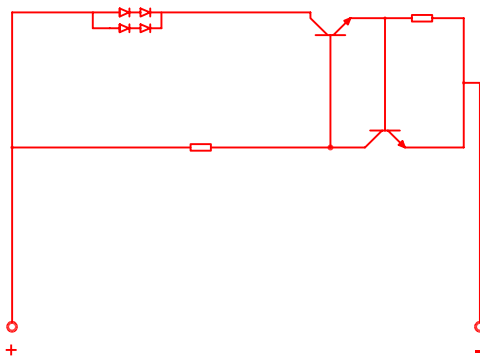
Emitting color code: W、R、PG、B、Y



INTERNAL CIRCUIT DIAGRAM

W、B

R、PG、Y





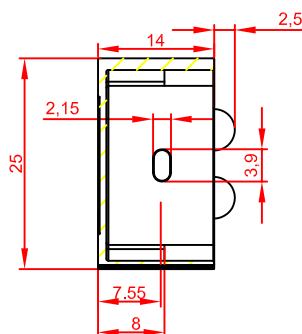
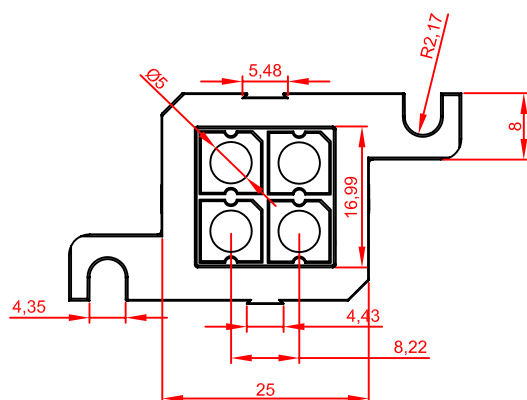
FEATURES

Parameter	Value					Unit
LED color	White	Red	Green	Blue	Yellow	Color
Part NO section	W	R	PG	B	Y	P/N
Luminous Intensity per LED	2000	2000	3000	1000	2500	mlm
Luminous flux per Unit	---	---	---	---	---	lm
Color Temperature & wave length	---	620	522	470	590	nm
LED type	FLUX LED					LAMP LED
Viewing Angle	60	70	80			deg
Operating Voltage(DC)	12					V
Operating Current per Unit(DC)	30					mA
Operating Current per Set(DC)	30					mA
Power Dissipation per Unit	0.8					W
Power Dissipation per Set	0.8					W
Operating temperature Range	-40 to +85					°C
Storage temperature Range	-50 to +85					°C
Weight per unit	15					g
Product type	Prevent Oxidation					type



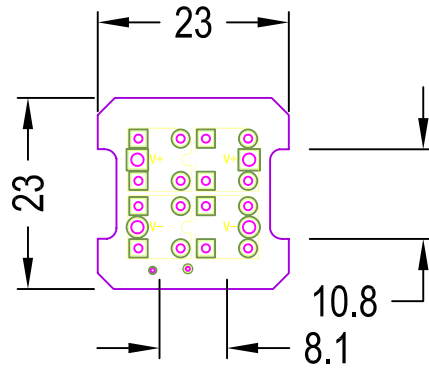
REF SIZE

H2504

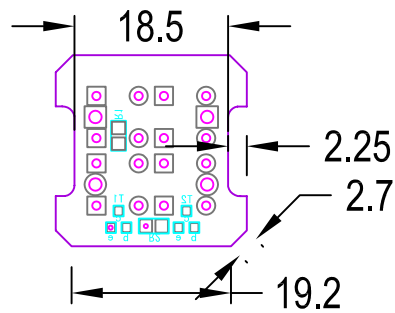




PCB SIZE&SILK

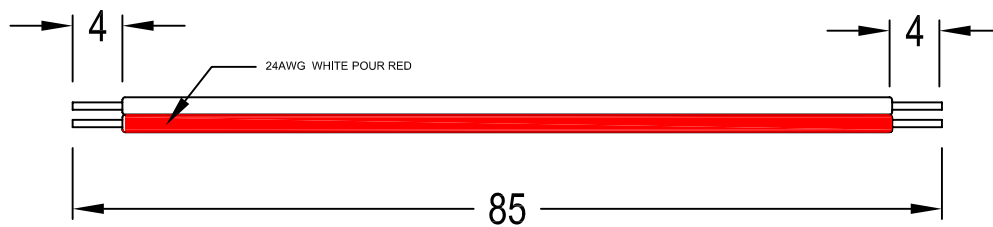


TOP



BACK

WIRE

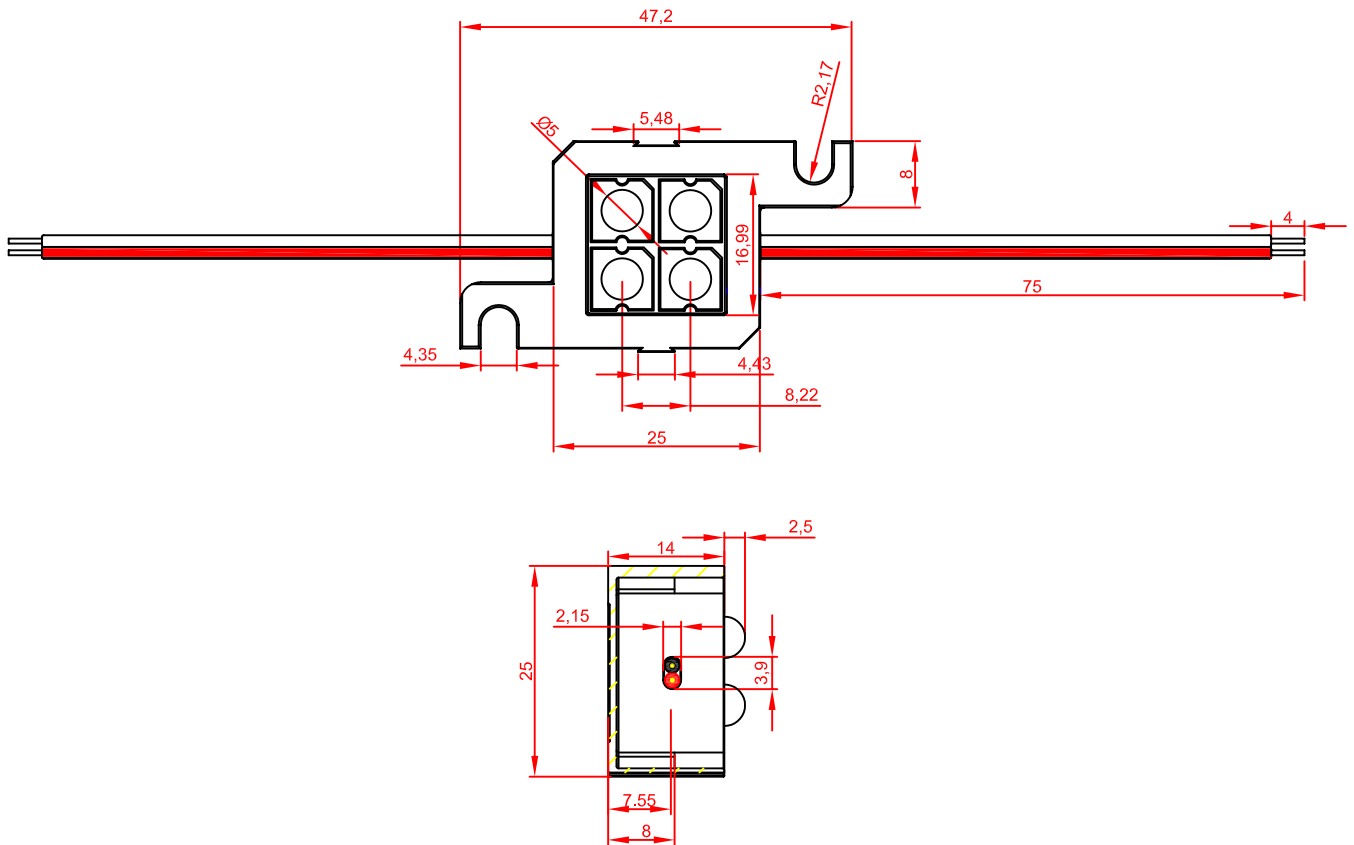




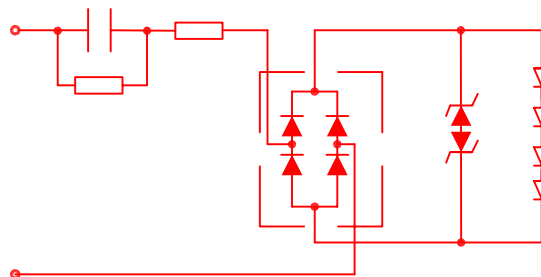
PART NO.: TODL-H2504(□□)-110V

PACKAGE DIMENSIONS

Emitting color code: W、R、PG、B、Y



INTERNAL CIRCUIT DIAGRAM





FEATURES

Parameter	Value					Unit
LED color	White	Red	Green	Blue	Yellow	Color
Part NO section	W	R	PG	B	Y	P/N
Luminous Intensity per LED	2000	2000	3000	1000	2500	mlm
Luminous flux per Unit	---	---	---	---	---	lm
Color Temperature & wave length	---	620	522	470	590	nm
LED type	FLUX LED					LAMP LED
Viewing Angle	60	70	80			deg
Operating Voltage(AC)	110					V
Operating Current per Unit(DC)	30					mA
Operating Current per Set(DC)	30					mA
Power Dissipation per Unit	0.8					W
Power Dissipation per Set	0.8					W
Operating temperature Range	-40 to +85					°C
Storage temperature Range	-50 to +85					°C
Weight per unit	15					g
Product type	Prevent Oxidation					type



REF SIZE

H2504

