

## **TPS61160EVM-243/TPS61161EVM-243**

---



---

This user's guide describes the characteristics, operation, and use of the TPS6116xEVM-243 evaluation module (EVM). This EVM contains the Texas Instruments TPS61160 or TPS61161 boost converter, configured with external components to regulate current through a string of WLEDs. This user's guide includes EVM specifications, recommended test setup, test results, bill of materials, and a schematic diagram.

### **Contents**

|   |  |   |
|---|--|---|
| 1 | Introduction .....                     | 2 |
| 2 | Setup and Test Results .....           | 2 |
| 3 | Board Layout .....                     | 6 |
| 4 | Schematics and Bill of Materials ..... | 9 |

### **List of Figures**

|   |  |   |
|---|--|---|
| 1 | USB Interface Adapter .....  | 4 |
| 2 | Screen Capture of TPS6116x Controller Software GUI Interface ..... | 5 |
| 3 | TPS61161 Efficiency vs Output Current .....                        | 6 |
| 4 | Assembly Layer .....   | 7 |
| 5 | Bottom Layer .....   | 8 |

### **List of Tables**

|   |   |    |
|---|---|----|
| 1 | Typical Performance Specification Summary ..... | 2  |
| 2 | HPA243 Bill of Materials.....                   | 10 |

## 1 Introduction

The Texas Instruments TPS6116xEVM-243 evaluation module contains a TPS61160 or TPS61161 integrated circuit (IC), supporting active and passive components and either 6 or 10 white light-emitting diodes (WLEDs) in series. The goal of this EVM is to facilitate evaluation of the TPS61160 or TPS61161 in a typical WLED application.

### 1.1 Performance Specification Summary

**Table 1** provides a summary of the TPS6116xEVM-243 performance specifications. All specifications are given for an ambient temperature of 25°C.

**Table 1. Typical Performance Specification Summary**

|                               | CONDITION             | MIN | TYP  | MAX | UNITS |
|-------------------------------|-----------------------|-----|------|-----|-------|
| V <sub>IN</sub> supply        |                       | 9   |      | 18  | V     |
| TPS6116<br>1 V <sub>OUT</sub> | CTRL=VIN, JP2 shorted |     | 29.5 |     | V     |
|                               | CTRL=VIN, JP2 open    | 37  | 38   | 39  | V     |
| TPS6116<br>0 V <sub>OUT</sub> | CTRL=VIN, JP2 shorted |     | 17.7 |     |       |
|                               | CTRL=VIN, JP2 open    | 25  | 26   | 27  |       |
| IOUT                          | JP2 shorted           | 19  | 20   | 21  | mA    |

### 1.2 Modifications

To aid user customization of the EVM, the board was designed with devices having 0603 or larger footprints. A real-world implementation likely occupies less total board space.

The inductor and compensation components (R1, C2) were designed for the V<sub>IN</sub> range shown in Table 1. Using a different input voltage range may require resizing of the inductor and/or the compensation components. Also, changing components can improve or degrade EVM performance. For example, using inductors with larger dc resistances lowers efficiency of the solution.

The other members of the TPS6116x IC family have the same footprint.

---

**Note:** When modifying the REV A version of this PCB, it is strongly recommended that you heat the PCB on a hot plate before using a soldering iron to remove/replace components, especially the input capacitor and inductor. Otherwise, the expansion when soldering and contraction when cooling of the wide traces/places connecting these components to the IC pins can damage the IC. For further explanation and guidance, see the TI application report *QFN/SON PCB Attachment* ([SLUA271](#)).

---

## 2 Setup and Test Results

### 2.1 Input/Output Connections

The connection points are described in the following paragraphs.

#### 2.1.1 J1-VIN

This header is the positive connection to the input power supply. Twist the leads to the input supply, and keep them as short as possible.

#### 2.1.2 J2-GND

This header is the return connection to the input power supply.

### 2.1.3 J3-VOUT

This header is the positive voltage output for the device.

### 2.1.4 J4-GND

This header is the return connection for the load.

### 2.1.5 J5-USB-TO-GPIO Connector

This connector is for the 10-pin ribbon cable that connects the EVM to the USB-TO-GPIO interface box. It is only used when the software is used to perform dimming.

### 2.1.6 J6-FB

This header connects to the FB pin of the IC through resistor R4. Resistor R4 is unpopulated.

### 2.1.7 JP1-ON/CTRL

Installing this jumper ties the CTRL pin to  $V_{IN}$ , thereby enabling the device. Removing the jumper allows the internal pulldown resistor to pull CTRL to ground, thereby disabling the device. The jumper should be removed if using an external signal to perform dimming.

### 2.1.8 JP2-Open LED

Installing this jumper places the WLEDs in the boost converter feedback path and allows current to flow through the WLEDs. Removing the jumper removes the WLEDs from the boost converter feedback path. With this jumper removed and jumper JP1 installed, the overvoltage protection circuit of the IC clamps the boost converter output to 38 V (typ).

## **WARNING**

**This EVM has white LEDs that shine very brightly. Protective eye wear and/or a diffuser to cover the white LED is recommended.**

## 2.2 **Hardware Requirements**

This EVM requires an external power supply capable of providing 3 V to 18 V at 1 A.

To change the default current value (i.e., implement dimming), the user can apply either a PWM or digital control signal to CTRL. Both signals change the feedback voltage at the FB pin of the IC so that the IC performs analog dimming. A function generator capable of driving the CTRL pin with 1.2 V to  $V_{IN}$  amplitude and 5-kHz to 100-kHz PWM signal is required for PWM-controlled dimming. The user also can implement dimming by using a digital control signal. The EVM kit includes a PC software compact disk (CD) and USB-TO-GPIO interface box which, when installed on a personal computer (PC) and connected to the EVM, allows the user to communicate with the EVM via a GUI interface. The minimum PC requirements are:

- Windows™ 2000 or Windows™ XP operating system
- USB port
- Minimum of 30 MB of free hard disk space (100 MB recommended)
- Minimum of 256 MB of RAM

### 2.3 Hardware Setup

After connecting the power supply between J1 and J2, turning on the power supply, and installing JP1 and JP2, the EVM regulates the default current per Table 1 through the WLEDs. Additional input capacitance may be required in order to mitigate the inductive voltage droop that occurs at start-up and/or during a load transient event.

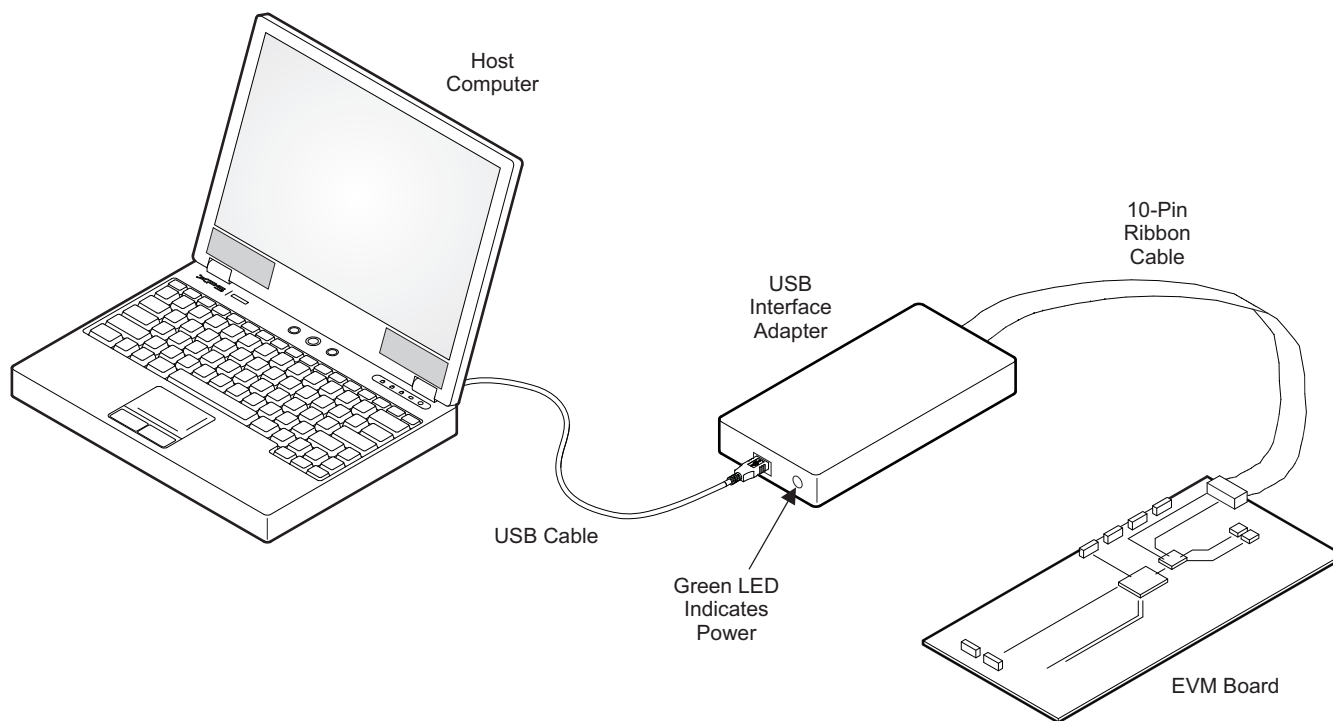
In order to implement analog dimming via a PWM signal, remove the jumper on JP1 and the 10-pin ribbon cable from J5, if installed, and perform the following steps in any sequence:

- Connect the power supply between J1 and J2 and turn on the power supply.
- Ensure that JP2's jumper is installed.
- Connect the appropriately configured function generator to the CTRL side of JP1.

The PWM signal's duty cycle is directly proportional to the regulated current.

To implement analog dimming by sending the digital control via a PC running the TPS6116x Controller software and USB-TO-GPIO interface box, remove the jumper or the function generator on JP1, and perform the following steps in any sequence:

- Connect one end of the USB-TO-GPIO box to the PC using the USB cable and the other end to J5 of the TPS6116xEVM using the supplied 10-pin ribbon cable as shown in the following illustration. The connectors on the ribbon cable are keyed to prevent incorrect installation.
- Connect the power supply between J1 and J2 and turn on the power supply.
- Ensure that JP2's jumper is installed.
- Run the software as explained in the next section.



**Figure 1. USB Interface Adapter**

### 2.4 Software Installation and Operation

If installing from a CD, insert the CD and run Setup.exe; follow all the prompts to install the software.

If installing from the TI Web site, go to the URL,

<http://focus.ti.com/en/download/aap/DesignEnv/TPS6116xEVM-SW/publish.htm>.

**Note:** This installation page is best viewed with the Microsoft™ Internet Explorer browser (It may not work correctly with other browsers)

Click on the install button; your PC gives you a security warning and asks if you want to install this application. Select Install to proceed. If a pre-release or Beta version is currently installed on your PC, you must uninstall this version of the software before installing the final version from either the CD or the TI Web site.

With both types of installation, the software attempts to install the Microsoft Dot Net Framework 2.0 (if it is not already installed) This framework is required for the software to run.

Immediately following installation, the software automatically runs.

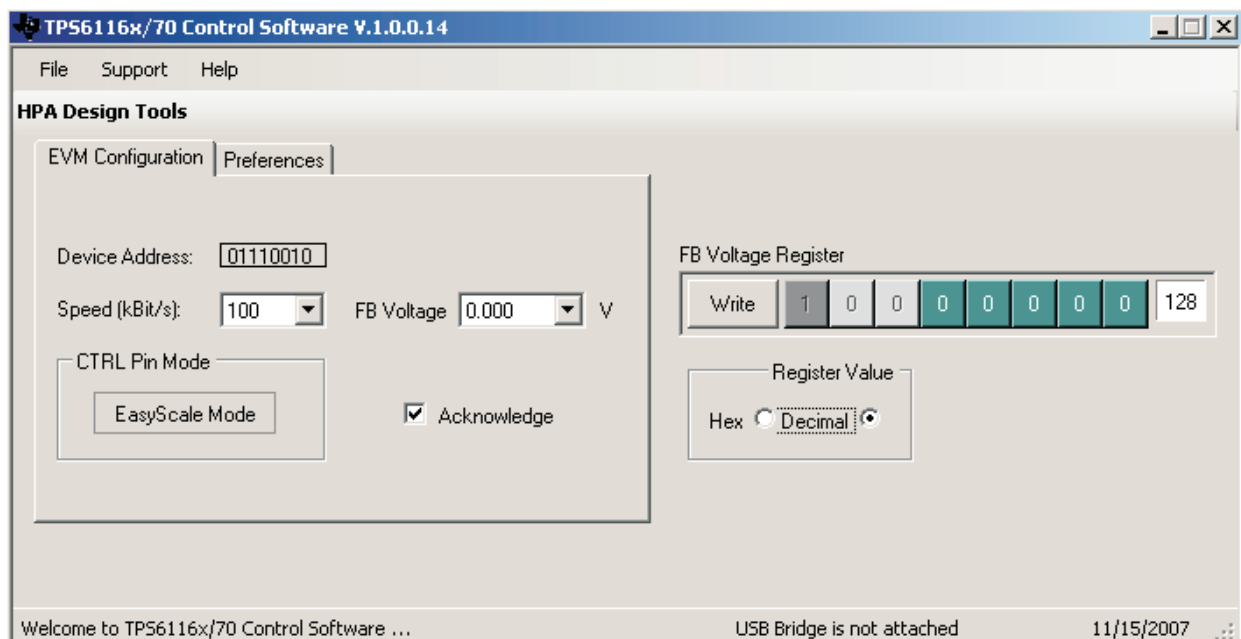
To run the software after installation, go to

Start → all programs → Texas Instruments, Inc. → TPS6116x Controller EVM Software.

At start-up, the software first checks the firmware version of the USB-TO-GPIO adapter box. If an incorrect firmware version is installed, the software automatically searches on the Internet (if connected) for updates. If a new update is available, the software notifies the user of the update, and downloads and installs the software. Note that after the firmware is updated, the user must disconnect and then reconnect the USB cable between the adapter and PC, as instructed during the installation process. The host PC software also automatically searches on the Internet (if connected) for updates. If a new update is available, the software notifies the user of the update, downloads and installs it.

**Note:** VeriSign™ Code Signing is used to prevent any malicious code from changing this application. If at any time in the future the binaries are modified, the code will no longer attempt to run.

The TPS6116x IC has a 5-bit register that stores the feedback voltage to which the error amplifier will regulate the FB pin. Using the EasyScale™ protocol, the user can program a separate digital IC to generate a signal that changes this register to one of 32 discrete settings, thereby changing the FB voltage and subsequent regulated WLED current. The software provides a GUI interface which allows the user to change the bits directly or by a drop-down box. After changing the bits, the WRITE button must be pressed. See a screen shot of the software in [Figure 2](#).



**Figure 2. Screen Capture of TPS6116x Controller Software GUI Interface**

## 2.5 Test Results

This section provides typical efficiency for the TPS6116xEVM-243 board.

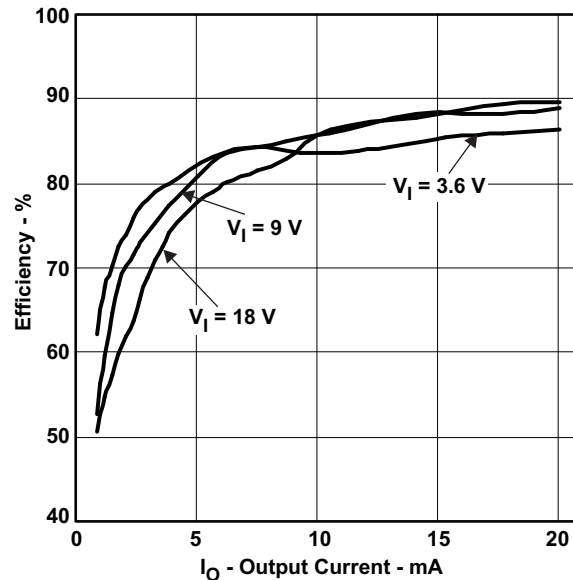


Figure 3. TPS61161 Efficiency vs Output Current

## 3 Board Layout

This section provides the TPS6116xEVM-243 board layout and illustrations.

Board layout is critical for all high-frequency, switch-mode power supplies. [Figure 4](#) through [Figure 4](#) show the board layout for the TPS6116xEVM-243 printed circuit board (PCB). The nodes with high-switching frequencies and currents are kept as short as possible to minimize trace inductance. Careful attention was given to the routing of high-frequency current loops: a single-point grounding scheme is used. See the data sheet for specific layout guidelines.

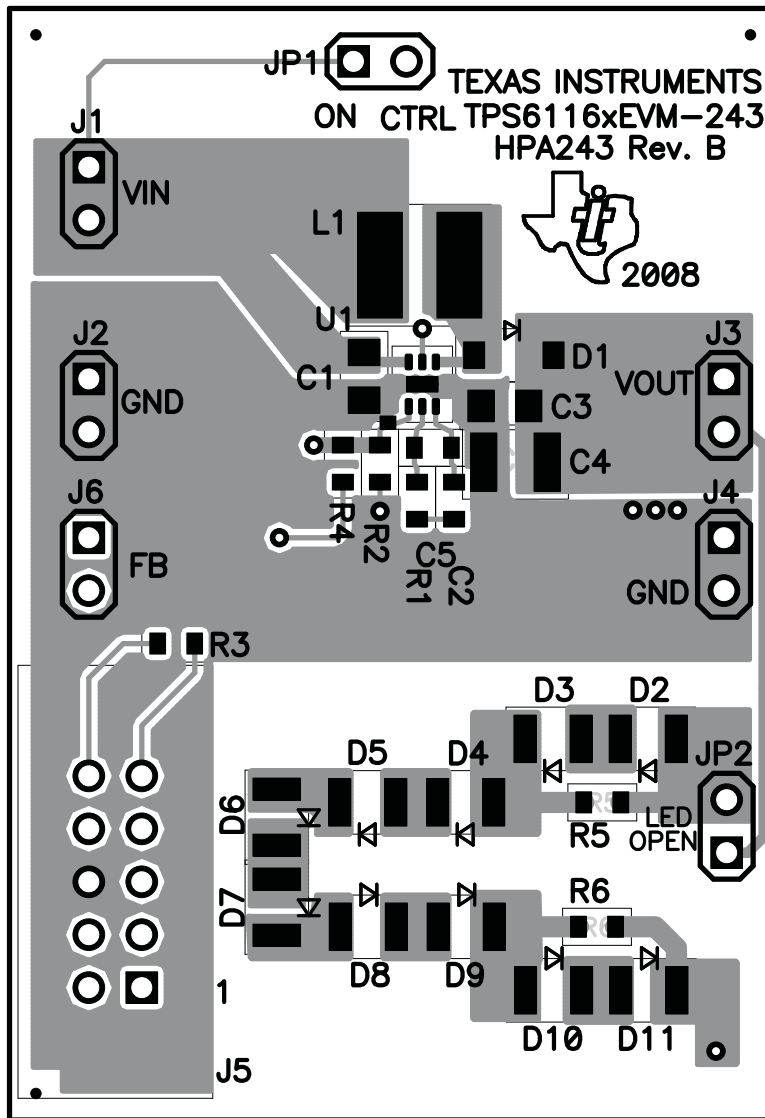


Figure 4. Assembly Layer

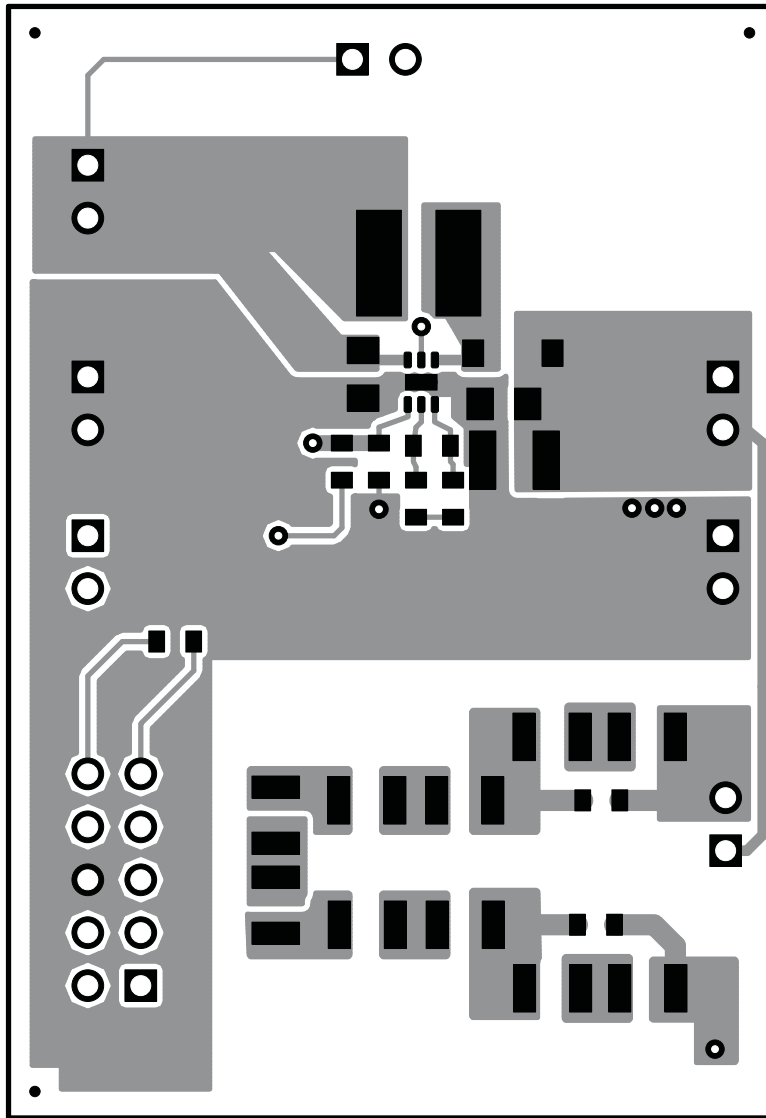


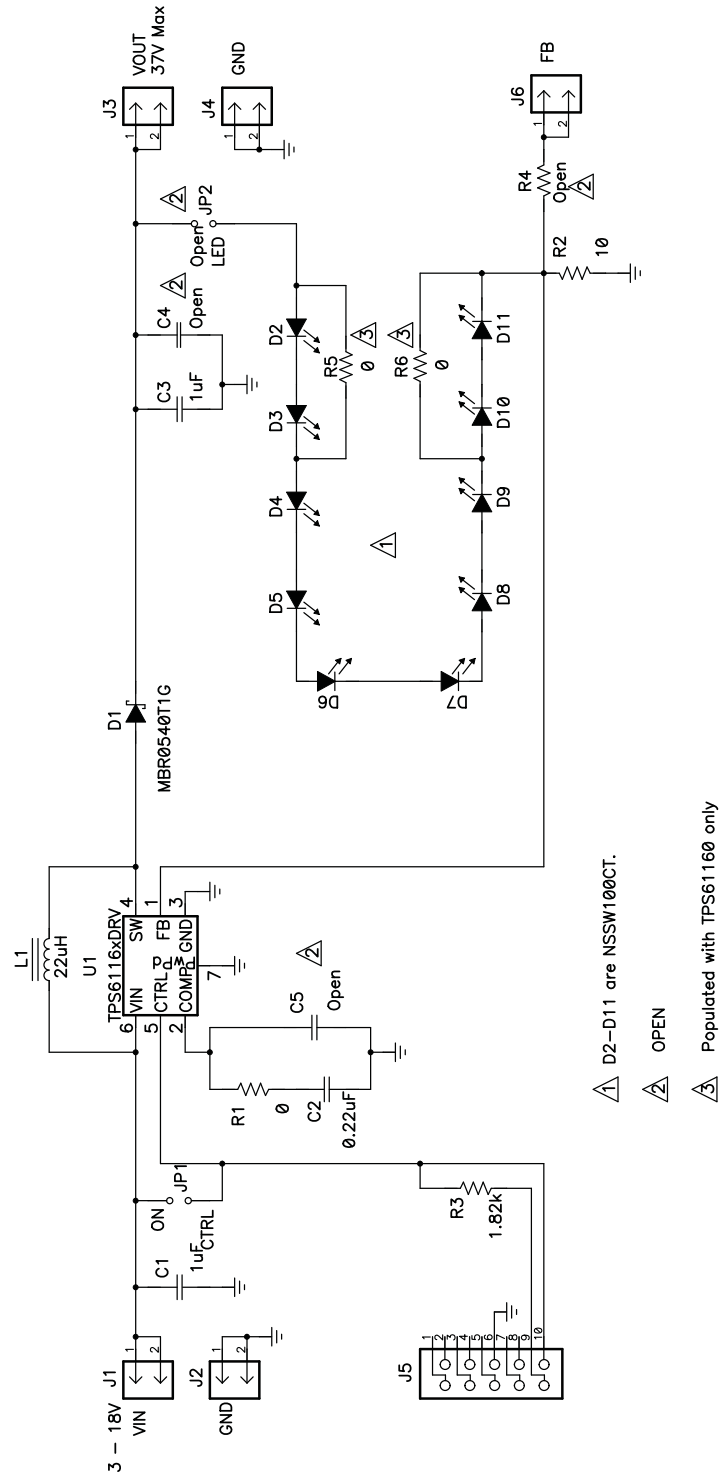
Figure 5. Bottom Layer



## 4 Schematics and Bill of Materials

This section provides the TPS6116xEVM-243 schematic and bill of materials.

### 4.1 TPS6116xEVM-243 Schematic



## 4.2 Bill of Materials

**Table 2. HPA243 Bill of Materials**

| Count |    | RefDes              | Value        | Description  | Size               | Part Number         | MFR     |
|-------|----|---------------------|--------------|--|--------------------|---------------------|---------|
| 60    | 61 |                     |              |  |                    |                     |         |
| 1     | 1  | C1                  | 1 $\mu$ F    | Capacitor, Ceramic, 25V, X5R, 10%                        | 0805               | Std                 | Std     |
| 1     | 1  | C2                  | 0.22 $\mu$ F | Capacitor, Ceramic, 10V, X5R, 10%                        | 0603               | C1608X5R1A224K      | TDK     |
| 1     | 1  | C3                  | 1 $\mu$ F    | Capacitor, Ceramic, 50V, X7R, 10%                        | 0805               | GRM21BR71H474KA88L  | Murata  |
| 0     | 0  | C4                  | Open         | Capacitor, Ceramic                                       | 1812               | Std                 | Std     |
| 0     | 0  | C5                  | Open         | Capacitor, Ceramic                                       | 0603               | Std                 | Std     |
| 1     | 1  | D1                  | MBR0540T1G   | Diode, Schottky, 0.5A, 40V                               | SOD-123            | MBR0540T1G          | On Semi |
| 4     | 0  | D2, D3, D10,<br>D11 | NSSW100CT    | Diode, LED, White  | 0.079 x 0.118 inch | NSSW100CT           | Nichia  |
| 6     | 6  | D4–D9               | NSSW100CT    | Diode, LED, White  | 0.079 x 0.118 inch | NSSW100CT           | Nichia  |
| 5     | 5  | J1–J4, J6           | PTC36SAAN    | Header, 2 pin, 100mil spacing, (36-pin strip)            | 0.100 inch x 2     | PTC36SAAN           | Sullins |
| 1     | 1  | J5                  | 2510-6002UB  | Connector, Male Straight 2x5 pin, 100mil spacing, 4 Wall | 0.338 x 0.788 inch | 2510-6002UB         | 3M      |
| 2     | 2  | JP1, JP2            | PTC36SAAN    | Header, 2 pin, 100mil spacing, (36-pin strip)            | 0.100 inch x 2     | PTC36SAAN           | Sullins |
| 1     | 1  | L1                  | 22 $\mu$ H   | Inductor, SMT, 0.58A, 311m $\Omega$                      | 0.157 x 0.157 inch | VLCF5020T-220MR75-1 | TDK     |
| 1     | 1  | R1                  | 0            | Resistor, Chip, 1/16W, 5%                                | 0603               | Std                 | Std     |
| 1     | 1  | R2                  | 10           | Resistor, Chip, 1/16W, 1%                                | 0603               | Std                 | Std     |
| 1     | 1  | R3                  | 1.82k        | Resistor, Chip, 1/16W, 1%                                | 0603               | Std                 | Std     |
| 0     | 0  | R4                  | Open         | Resistor, Chip, 1/16W, 1%                                | 0603               | Std                 | Std     |
| 0     | 2  | R5, R6              | 0            | Resistor, Chip, 1/16W, 5%                                | 0603               | Std                 | Std     |
| 0     | 1  | U1                  | TPS61160DRV  | IC, 1200 kHz/0.7A PWM/38V OVP                            | SON-6              | TPS61161DRV         | TI      |
| 1     | 0  | U1                  | TPS61161DRV  | IC, 1200 kHz/0.7A PWM/26V OVP                            | SON-6              | TPS61160DRV         | TI      |
| 1     | 1  | –                   |              | PCB, 2.1 In x 1.43 In x 0.062 In                         |                    | HPA243              | Any     |
| 2     | 2  | –                   |              | Shunt, 100 mil, Black                                    | 0.1                | 929950-00           |         |

## 4.3 Related Documentation From Texas Instruments

TPS61160, TPS61161, White LED Driver With Digital and PWM Brightness Control in 2mm x 2mm QFN Package for up to 10 LEDs in Series data sheet ([SLVS791](#))

## EVALUATION BOARD/KIT IMPORTANT NOTICE

Texas Instruments (TI) provides the enclosed product(s) under the following conditions:

This evaluation board/kit is intended for use for **ENGINEERING DEVELOPMENT, DEMONSTRATION, OR EVALUATION PURPOSES ONLY** and is not considered by TI to be a finished end-product fit for general consumer use. Persons handling the product(s) must have electronics training and observe good engineering practice standards. As such, the goods being provided are not intended to be complete in terms of required design-, marketing-, and/or manufacturing-related protective considerations, including product safety and environmental measures typically found in end products that incorporate such semiconductor components or circuit boards. This evaluation board/kit does not fall within the scope of the European Union directives regarding electromagnetic compatibility, restricted substances (RoHS), recycling (WEEE), FCC, CE or UL, and therefore may not meet the technical requirements of these directives or other related directives.

Should this evaluation board/kit not meet the specifications indicated in the User's Guide, the board/kit may be returned within 30 days from the date of delivery for a full refund. **THE FOREGOING WARRANTY IS THE EXCLUSIVE WARRANTY MADE BY SELLER TO BUYER AND IS IN LIEU OF ALL OTHER WARRANTIES, EXPRESSED, IMPLIED, OR STATUTORY, INCLUDING ANY WARRANTY OF MERCHANTABILITY OR FITNESS FOR ANY PARTICULAR PURPOSE.**

The user assumes all responsibility and liability for proper and safe handling of the goods. Further, the user indemnifies TI from all claims arising from the handling or use of the goods. Due to the open construction of the product, it is the user's responsibility to take any and all appropriate precautions with regard to electrostatic discharge.

**EXCEPT TO THE EXTENT OF THE INDEMNITY SET FORTH ABOVE, NEITHER PARTY SHALL BE LIABLE TO THE OTHER FOR ANY INDIRECT, SPECIAL, INCIDENTAL, OR CONSEQUENTIAL DAMAGES.**

TI currently deals with a variety of customers for products, and therefore our arrangement with the user **is not exclusive**.

TI assumes **no liability for applications assistance, customer product design, software performance, or infringement of patents or services described herein.**

Please read the User's Guide and, specifically, the Warnings and Restrictions notice in the User's Guide prior to handling the product. This notice contains important safety information about temperatures and voltages. For additional information on TI's environmental and/or safety programs, please contact the TI application engineer or visit [www.ti.com/esh](http://www.ti.com/esh).

No license is granted under any patent right or other intellectual property right of TI covering or relating to any machine, process, or combination in which such TI products or services might be or are used.

### FCC Warning

This evaluation board/kit is intended for use for **ENGINEERING DEVELOPMENT, DEMONSTRATION, OR EVALUATION PURPOSES ONLY** and is not considered by TI to be a finished end-product fit for general consumer use. It generates, uses, and can radiate radio frequency energy and has not been tested for compliance with the limits of computing devices pursuant to part 15 of FCC rules, which are designed to provide reasonable protection against radio frequency interference. Operation of this equipment in other environments may cause interference with radio communications, in which case the user at his own expense will be required to take whatever measures may be required to correct this interference.

### EVM WARNINGS AND RESTRICTIONS

It is important to operate this EVM within the input voltage range of 3 V to 18 V and the output voltage range of up to 39 V.

Exceeding the specified input range may cause unexpected operation and/or irreversible damage to the EVM. If there are questions concerning the input range, please contact a TI field representative prior to connecting the input power.

Applying loads outside of the specified output range may result in unintended operation and/or possible permanent damage to the EVM. Please consult the EVM User's Guide prior to connecting any load to the EVM output. If there is uncertainty as to the load specification, please contact a TI field representative.

During normal operation, some circuit components may have case temperatures greater than 85°C. The EVM is designed to operate properly with certain components above 85°C as long as the input and output ranges are maintained. These components include but are not limited to linear regulators, switching transistors, pass transistors, and current sense resistors. These types of devices can be identified using the EVM schematic located in the EVM User's Guide. When placing measurement probes near these devices during operation, please be aware that these devices may be very warm to the touch.

Mailing Address: Texas Instruments, Post Office Box 655303, Dallas, Texas 75265  
Copyright © 2007-2008, Texas Instruments Incorporated

## IMPORTANT NOTICE

Texas Instruments Incorporated and its subsidiaries (TI) reserve the right to make corrections, modifications, enhancements, improvements, and other changes to its products and services at any time and to discontinue any product or service without notice. Customers should obtain the latest relevant information before placing orders and should verify that such information is current and complete. All products are sold subject to TI's terms and conditions of sale supplied at the time of order acknowledgment.

TI warrants performance of its hardware products to the specifications applicable at the time of sale in accordance with TI's standard warranty. Testing and other quality control techniques are used to the extent TI deems necessary to support this warranty. Except where mandated by government requirements, testing of all parameters of each product is not necessarily performed.

TI assumes no liability for applications assistance or customer product design. Customers are responsible for their products and applications using TI components. To minimize the risks associated with customer products and applications, customers should provide adequate design and operating safeguards.

TI does not warrant or represent that any license, either express or implied, is granted under any TI patent right, copyright, mask work right, or other TI intellectual property right relating to any combination, machine, or process in which TI products or services are used. Information published by TI regarding third-party products or services does not constitute a license from TI to use such products or services or a warranty or endorsement thereof. Use of such information may require a license from a third party under the patents or other intellectual property of the third party, or a license from TI under the patents or other intellectual property of TI.

Reproduction of TI information in TI data books or data sheets is permissible only if reproduction is without alteration and is accompanied by all associated warranties, conditions, limitations, and notices. Reproduction of this information with alteration is an unfair and deceptive business practice. TI is not responsible or liable for such altered documentation. Information of third parties may be subject to additional restrictions.

Resale of TI products or services with statements different from or beyond the parameters stated by TI for that product or service voids all express and any implied warranties for the associated TI product or service and is an unfair and deceptive business practice. TI is not responsible or liable for any such statements.

TI products are not authorized for use in safety-critical applications (such as life support) where a failure of the TI product would reasonably be expected to cause severe personal injury or death, unless officers of the parties have executed an agreement specifically governing such use. Buyers represent that they have all necessary expertise in the safety and regulatory ramifications of their applications, and acknowledge and agree that they are solely responsible for all legal, regulatory and safety-related requirements concerning their products and any use of TI products in such safety-critical applications, notwithstanding any applications-related information or support that may be provided by TI. Further, Buyers must fully indemnify TI and its representatives against any damages arising out of the use of TI products in such safety-critical applications.

TI products are neither designed nor intended for use in military/aerospace applications or environments unless the TI products are specifically designated by TI as military-grade or "enhanced plastic." Only products designated by TI as military-grade meet military specifications. Buyers acknowledge and agree that any such use of TI products which TI has not designated as military-grade is solely at the Buyer's risk, and that they are solely responsible for compliance with all legal and regulatory requirements in connection with such use.

TI products are neither designed nor intended for use in automotive applications or environments unless the specific TI products are designated by TI as compliant with ISO/TS 16949 requirements. Buyers acknowledge and agree that, if they use any non-designated products in automotive applications, TI will not be responsible for any failure to meet such requirements.

Following are URLs where you can obtain information on other Texas Instruments products and application solutions:

### Products

|                             |  |
|-----------------------------|--|
| Amplifiers                  | <a href="http://amplifier.ti.com">amplifier.ti.com</a>             |
| Data Converters             | <a href="http://dataconverter.ti.com">dataconverter.ti.com</a>     |
| DSP                         | <a href="http://dsp.ti.com">dsp.ti.com</a>                         |
| Clocks and Timers           | <a href="http://www.ti.com/clocks">www.ti.com/clocks</a>           |
| Interface                   | <a href="http://interface.ti.com">interface.ti.com</a>             |
| Logic                       | <a href="http://logic.ti.com">logic.ti.com</a>                     |
| Power Mgmt                  | <a href="http://power.ti.com">power.ti.com</a>                     |
| Microcontrollers            | <a href="http://microcontroller.ti.com">microcontroller.ti.com</a> |
| RFID                        | <a href="http://www.ti-rfid.com">www.ti-rfid.com</a>               |
| RF/IF and ZigBee® Solutions | <a href="http://www.ti.com/lprf">www.ti.com/lprf</a>               |

### Applications

|                    |  |
|--------------------|--|
| Audio              | <a href="http://www.ti.com/audio">www.ti.com/audio</a>                   |
| Automotive         | <a href="http://www.ti.com/automotive">www.ti.com/automotive</a>         |
| Broadband          | <a href="http://www.ti.com/broadband">www.ti.com/broadband</a>           |
| Digital Control    | <a href="http://www.ti.com/digitalcontrol">www.ti.com/digitalcontrol</a> |
| Medical            | <a href="http://www.ti.com/medical">www.ti.com/medical</a>               |
| Military           | <a href="http://www.ti.com/military">www.ti.com/military</a>             |
| Optical Networking | <a href="http://www.ti.com/opticalnetwork">www.ti.com/opticalnetwork</a> |
| Security           | <a href="http://www.ti.com/security">www.ti.com/security</a>             |
| Telephony          | <a href="http://www.ti.com/telephony">www.ti.com/telephony</a>           |
| Video & Imaging    | <a href="http://www.ti.com/video">www.ti.com/video</a>                   |
| Wireless           | <a href="http://www.ti.com/wireless">www.ti.com/wireless</a>             |

Mailing Address: Texas Instruments, Post Office Box 655303, Dallas, Texas 75265  
Copyright © 2008, Texas Instruments Incorporated