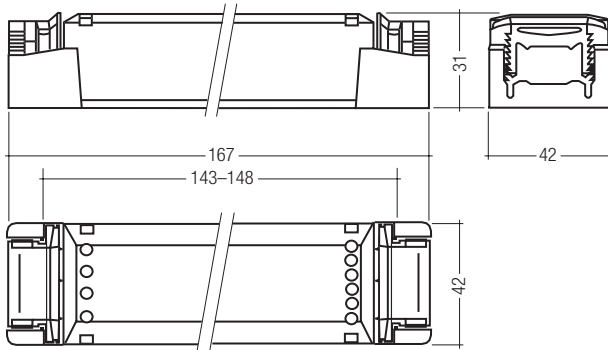


**TALEXcontrol C002**



The 3 channel PWM sequencer is part of the TALEXcontrol product range and enables the dynamic colour change of TALEX RGB modules using pulse width modulation.

PWM, with a frequency of approximately 200 Hz, is generated on each channel by a default characteristic flow line and modulated to the 12-24V input voltage. The 1-10V control input provides the 10V control voltage required itself and is therefore also perfectly suited to use with a passive potentiometer (100K lin.).

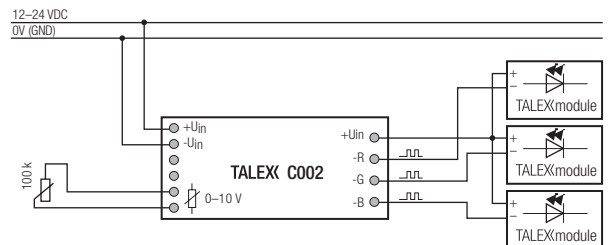
The common + terminal allows an integrated protection against fast transients, overvoltage and reversed polarity connection.

- for 12-24VDC TALEX modules
- single-colour or TALEX RGB modules
- max. current per channel 2A
- short-circuit cut-off
- 6-pole screw terminal, secondary
- 4-pole screw terminal, primary
- integrated strain-relief and terminal cover
- tool-free assembly of strain-relief

**Packaging:**  
box of 10

**Designed according to:**  
EN 61347-1  
EN 61347-2-13  
EN 61547  
EN 62384

type		TALEXcontrol C002	
article number			86454968
mains supply	rated voltage	V <sub>DC</sub>	12-24
	max. current	A	6
inputs	analogue	V	1-10
	potentiometer	kΩ	100, linear
outputs	+ pole	-	-
	- pole red	A	2
	- pole green	A	2
	- pole blue	A	2
	voltage	V <sub>DC</sub>	12-24
permissible ambient temperature	°C		0 → +50



**Functions of the control input:**

- < 1.2V starting threshold
- 1.2-9.8V sequence speed 15 sec – 15 min
- > 9.8V holding the current colour