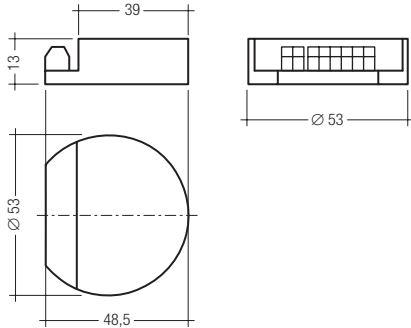


TALEXcontrol C003 DALI RGB



Highlights:

- 3 channel DALI dimming controller for 24V TALEX RGB modules
- dimming: 0.1-100 %
- tool free assembly of strain relief and terminal cover
- integrated stand-alone sequencer (default setting: active)
- for programming the free software "TALEX sequence programming software" is available at www.tridonicatco.com

Features:

- DALI digital control input
- 3 addressable output channels
- 24V PWM output signal
- short-circuit switch off with automatic restart
- overtemperature protection
- compact housing
- protection rating: IP 20
- screw terminals

Packaging:

box of 10

Designed according to:

EN 61347-1
EN 61347-2-13
EN 61547
EN 62384

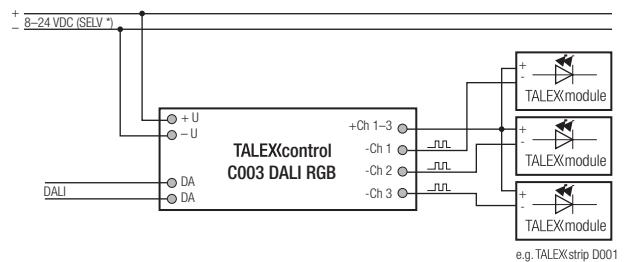
type		TALEXcontrol C003 DALI RGB	
article number			86457912
supply	supply voltage U_{in}	V _{DC}	8-24 (SELV ①)
	max. supply current	A	1.8
	power consumption	mA	20
control inputs	interface, dimming	-	DALI
	max. input current	mA	2
	polarity-free	-	yes
output	no. of output channels	-	3 (RGB)
	output signal	-	PWM, 1 kHz
	dimming range	-	0.1-100 %
	output voltage	V	8-24 (SELV ①)
	output current	A	max. 0.6 / channel
	short circuit protection	-	yes, reversible
	over temperature protection	-	yes
ambient temperature t_a	°C		-25 → +55
max. case temperature	°C		65
weight	kg		0.02

installation instructions:

wire	wire cross section
solid	1.5 mm ²
flexible	1.0 mm ²
flexible with ferrule	0.75 mm ²

wire preparation:

0.75-1.5□



① SELV to be provided by the supply unit, e.g. TALEXconverter K220

Example wiring diagram

TALEXcontrol C003 as stand alone sequencer in combination with TALEXcontrol C004 PWM booster

