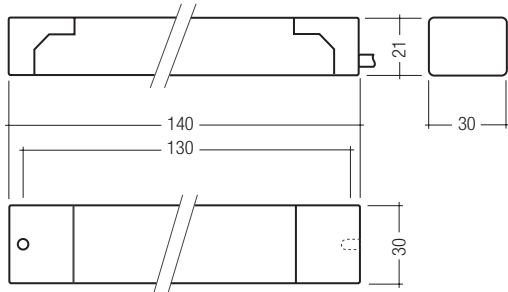


TALEXcontrol C350 4 channel PWM dimmer



**Highlights:**

- 4 channel constant-current dimming controller for 350 mA TALEXeos modules
- dimming 0.1-100 % ③
- exact load balancing per output channel
- wide input voltage range
- slim housing

**Properties:**

- universal PWM control inputs
- 350 mA current PWM output signal
- suitable for combining with TALEX controls from TridonicAtco (see table on page 2)
- integrated strain-relief and terminal cover
- connection cable: H03VV-F, H05VV-F, cross section 0.5-1.5 mm<sup>2</sup>

**Packaging:**

box of 10

**Designed according to:**

EN 61347-1  
EN 61347-2-13  
EN 61547  
EN 62384

type		TALEXcontrol C350 4 channel PWM dimmer	
article number		86458243	
supply	supply voltage U <sub>in</sub>	V <sub>DC</sub>	24-45 (SELV ②)
	max. supply current	A	1.5
control inputs	number of control inputs	–	4 x PWM
	input frequency	Hz	120-250
	PWM voltage	V	18-26
	max. LOW voltage	V	3
	min. HIGH voltage	V	13
	max. current input at 26V	mA	3
output	number of output channels	–	4 (e.g. RGBA)
	output signal ③	–	current-PWM
	output frequency	Hz	120-250
	dimming range	%	0.1-100
	output voltage ①	V	24V: 2-20 / 45V: 25-41 (SELV ②)
	output current	A	0.35/channel
	max. cable length (converter → TALEX(module))	m	20
ambient temperature t <sub>a</sub>		°C	-20 → +45
max. case temperature t <sub>c</sub>		°C	70
weight		g	55

① depends on supply voltage U<sub>in</sub> and number of TALEX(module) (U<sub>LED max.</sub> = U<sub>in</sub> – 4V)

② SELV to be provided by the supply unit, e.g. TALEXconverter K211

③ Dimming quality is determined by the PWM transmitter

Combination TALEX control device with TALEX C350 4 channel PWM dimmer

TALEX control	number of TALEX control C350 4 channel PWM dimmer
C001	max. 120
C002	max. 120
C003	max. 15
C004	max. 120
K210 (version > L106)	max. 15
K211	max. 1 / max. 15 ①

① TALEX control C350 4 channel PWM dimmer with separate voltage supply

Combination TALEX converter with TALEX C350 4 channel PWM dimmer

TALEX converter	number of TALEX control C350 4 channel PWM dimmer
calculation basis: 4 channels at full load	
K220 (25 VA), 24 V	0
K240 (100 VA), 24 V	max. 3
calculation basis: 3 channels at full load	
K220 (25 VA), 24 V	1
K240 (100 VA), 24 V	max. 4

Number of TALEX modules on TALEX C350 4 channel PWM dimmer

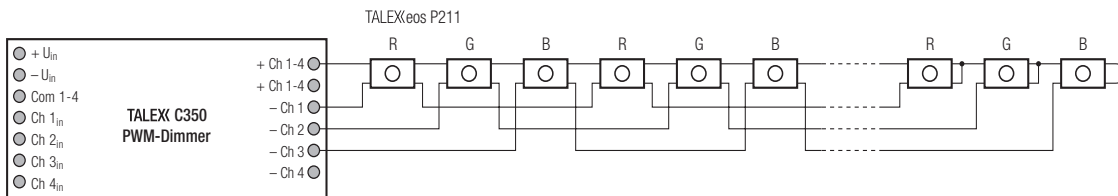
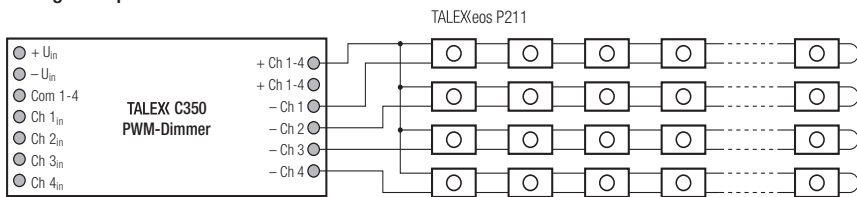
Input Voltage $U_{in}$	colour	TALEX P211		TALEX P214 ①		TALEX P215 ①		TALEX P216 ①	
		min.	max.	min.	max.	min.	max.	min.	max.
24 V	red, amber	1	7	n.a.	n.a.	n.a.	n.a.	n.a.	n.a.
	green, blue, white	1	5	1	1	—	—	—	—
36 V	red, amber	n.a.	n.a.	n.a.	n.a.	n.a.	n.a.	n.a.	n.a.
	green, blue, white	2	9	1	2	—	1	—	—
45 V	red, amber	n.a.	n.a.	n.a.	n.a.	n.a.	n.a.	n.a.	n.a.
	green, blue, white	6	11	1	2	—	1	—	—

If a channel is not used, no TALEX module needs to be connected.

n.a.: not applicable

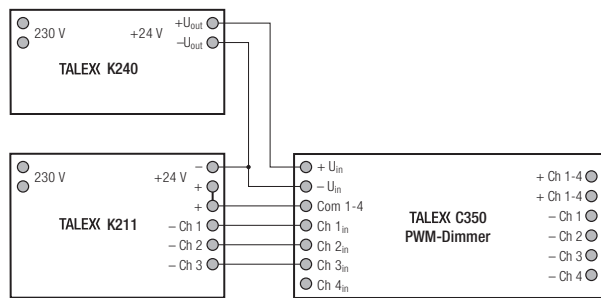
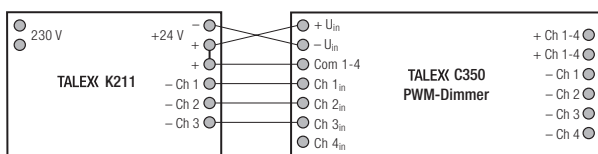
① LED module available only in white

Wiring examples TALEXeos modules:



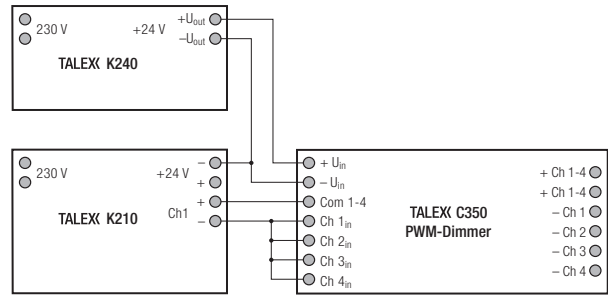
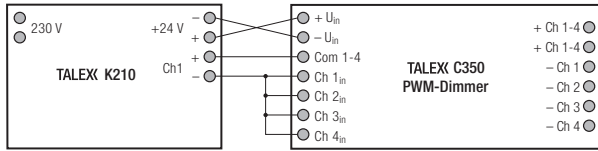
Wiring examples controls:

TALEX converter K211

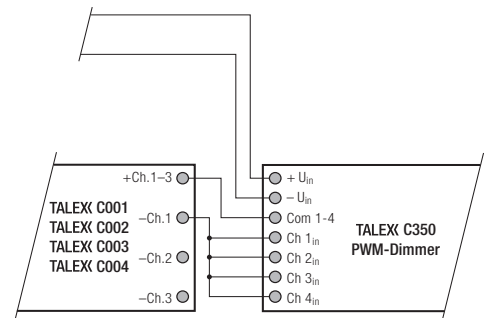
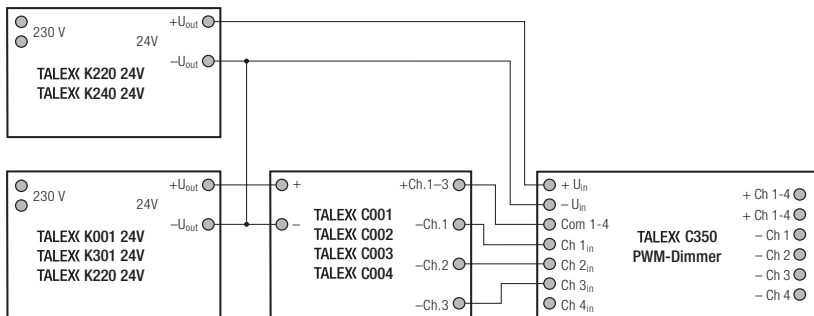
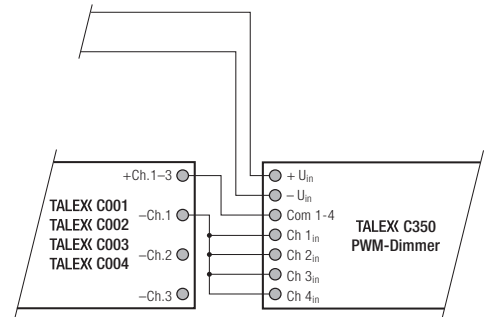
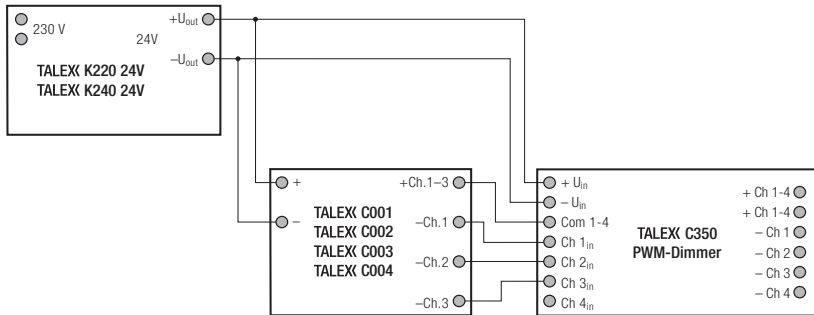


Wiring examples controls:

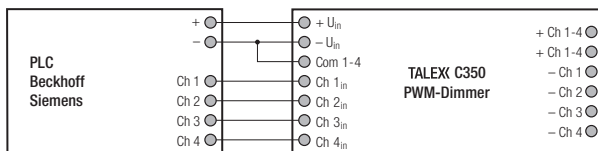
TALEXconverter K210



TALEXcontrol C001 / C002 / C003 / C004



PLC / Beckhoff / Siemens:



Non-dimming:

