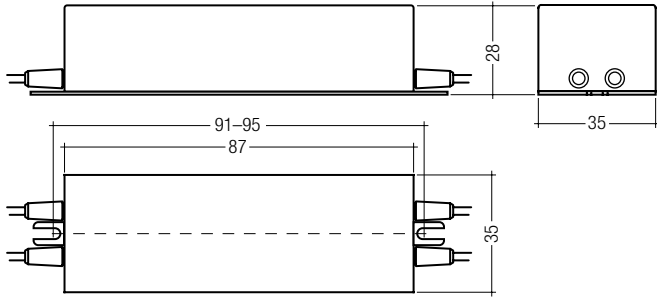


**TALEXconverter 0010 K350 10VA 350 mA**  
**Constant current converter**



- constant current converter 350 mA for TALEXeos modules
- constant output current 350 mA DC;  $\pm 5\%$
- universal supply voltage range
- SELV
- over-temperature protection
- overload protection by limitation of output power
- short-circuit switch-off with automatic restart

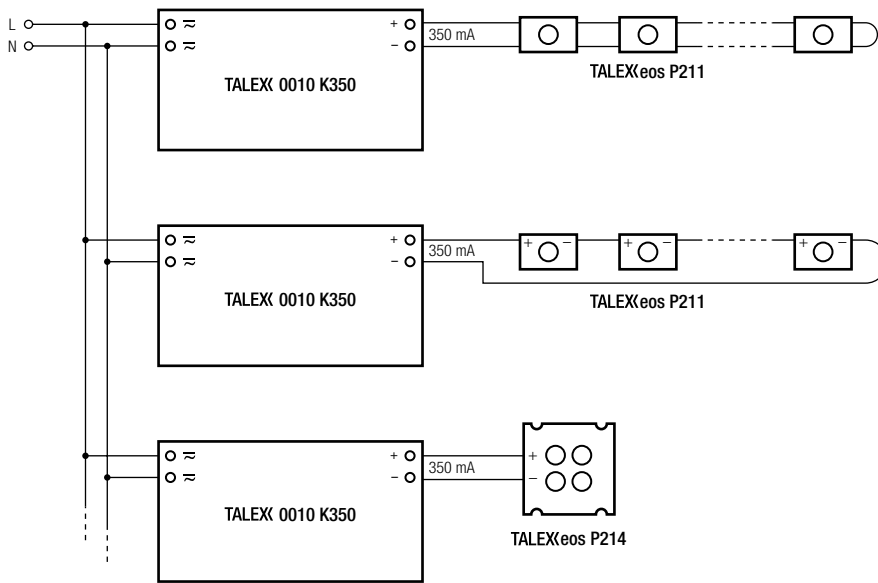
- connection cable with wire end ferrules length: approx. 500 mm
- identification of polarity secondary: + red / - black
- white metal housing – potted
- protection rating IP 67

**Packaging:**  
 box of 20

**Designed according to:**  
 EN 55015  
 EN 61000-3-2  
 EN 61000-3-3  
 EN 61347-1  
 EN 61347-2-13  
 EN 61547  
 EN 62384


type		TALEXconverter 0010 K350 10VA 350 mA
article number		86458177
primary voltage	V <sub>AC</sub>	120/230/240
primary voltage range	V <sub>AC</sub>	100-264
primary voltage range	V <sub>DC</sub>	120-240
input current at 230V 50Hz	A	0.12
frequency	Hz	0/50/60
efficiency	%	> 78
output current	A <sub>DC</sub>	0.350
secondary voltage	V <sub>DC</sub>	25
output power	W	10
ambient temperature t <sub>a</sub>	°C	-25 → +50
max. case temperature t <sub>c</sub>	°C	90
weight	g	90
dimensions LxWxH	mm	87 x 35 x 28
fixing centres (D)	mm	93

Wiring diagram TALEXconverter 0010 K350 with TALEXeos modules



Number of TALEXeos modules connected to TALEXconverter 0010 K350

colour	P211	P214	P215	P216
red, amber	9	n.A.	n.A.	n.A.
green, blue, white	6	1	-	-

 TALEXeos modules must be wired in series connection to the constant current converter TALEXconverter 0010 K350.