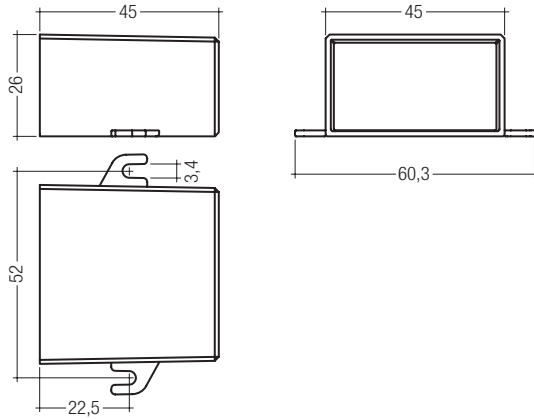


TALEXconverter 0005 K350 5VA 350 mA
Constant current converter



- constant current converter 350 mA for TALEXeos modules
- constant output current 350 mA DC; $\pm 5\%$
- universal supply voltage range
- SELV
- over-temperature protection
- overload protection by limitation of output power

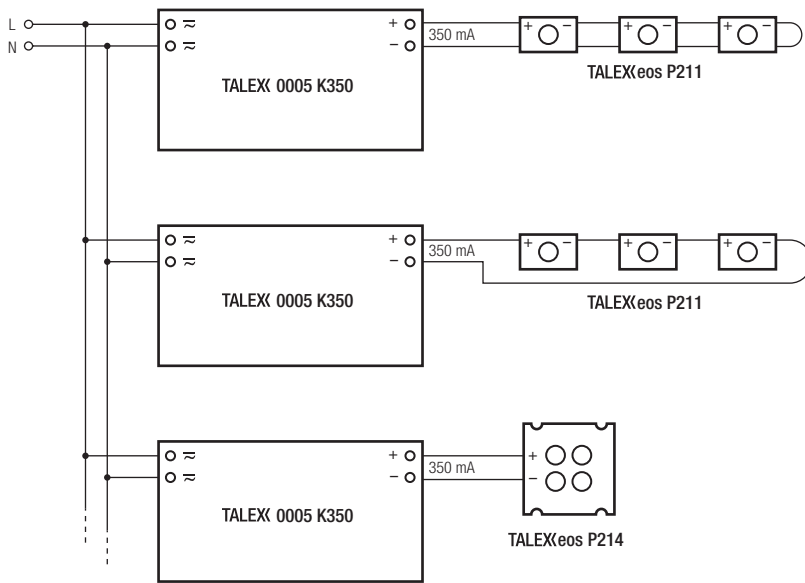
- compact housing for luminaire installation
- connection cable with wire end ferrules length: approx. 200 mm
- identification of polarity secondary: + red / - black
- white plastic housing – potted
- protection rating IP 67

Packaging:
box of 20

Designed according to:
EN 55015
EN 61000-3-2
EN 61000-3-3
EN 61347-1
EN 61347-2-13
EN 61547
EN 62384


| type | | TALEXconverter 0005 K350 5VA 350 mA |
|--------------------------------------|-----------------|-------------------------------------|
| article number | | 24139069 |
| primary voltage | V _{AC} | 120/230/240 |
| primary voltage range | V _{AC} | 100-264 |
| primary voltage range | V _{DC} | 120-240 |
| input current at 230V 50Hz | A | 0.08 |
| frequency | Hz | 0/50/60 |
| efficiency | % | > 75 |
| output current | A _{DC} | 0.350 |
| secondary voltage | V _{DC} | 20 |
| output power | W | 5.6 |
| ambient temperature t _a | °C | -25 → +50 |
| max. case temperature t _c | °C | 90 |
| weight | g | 100 |
| dimensions LxWxH | mm | 45 x 45 x 26 |
| fixing centres (D) | mm | 52 |

Wiring diagram TALEXconverter 0005 K350 with TALEXeos modules



Number of TALEXeos modules connected to TALEXconverter 0005 K350

| colour | P211 | P214 | P215 | P216 |
|--------------------|------|------|------|------|
| red, amber | 5 | n.A. | n.A. | n.A. |
| green, blue, white | 4 | 1 | – | – |

 TALEXeos modules must be wired in series connection to the constant current converter TALEXconverter 0005 K350.