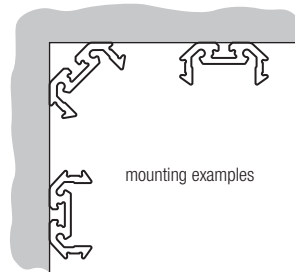
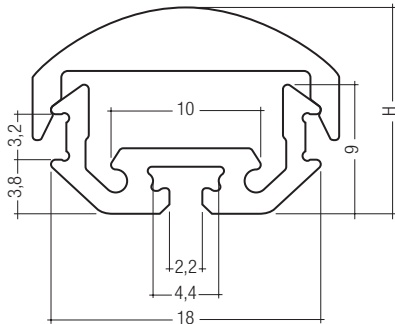


**TALEX**(profile Z200  
Mounting profile

RoHS



- mounting profile for TALEXchains and TALEXstrips with a maximum width of 12 mm
- compact profile 9 x 18 mm
- flexible mounting
- wide accessory range
  - covers
  - linear lenses

type	article number	material	colour	dimensions HxWxL mm	weight/piece kg	packing unit ②
Z200 mounting profile	24035531	aluminium	anodised nature	9x18x2,000	0.322	5

type	article number	material	colour	height H mm	dimensions (WxL) mm	packing unit ②
Z220 cover white	24138736	PMMA	white	16	20.5x2,000	5
Z221 cover frosted	24138737	PMMA	semi-transparent	16	20.5x2,000	5
Z222 cover transparent	24138738	PMMA	transparent	16	20.5x2,000	5
O200 linear lens 30° ①	24139172	PMMA	transparent	16	20.5x2,000	5
O200 linear lens 60° ①	24139164	PMMA	transparent	15	20.5x2,000	5
O200 linear lens 90° ①	24139165	PMMA	transparent	14	20.5x2,000	5
O200 linear lens 30° frosted ①	24139175	PMMA	semi-transparent	16	20.5x2,000	5
O200 linear lens 60° frosted ①	24139176	PMMA	semi-transparent	15	20.5x2,000	5
O200 linear lens 90° frosted ①	24139177	PMMA	semi-transparent	14	20.5x2,000	5

① For details please refer to the corresponding data sheets.

② Delivery in packing units only.

③ The cover may not be exposed to any mechanical stresses. If it is exposed to vibrations or wind the mounting plate can detach from the fixture. It must therefore be additionally secured.

④ Data are valid for applications with cover and end caps and with sufficient air circulation (convection). Compliance with the max. permissible temperature of the TALEXmodule at the tc point (see data sheet) must be ensured in the thermally stable state. For further information on installation please refer to the brochure entitled "TALEX installation instructions".

⑤ The operation of TALEXmodules with this profile is not possible without additional cooling (e.g. mounting on another heat conductor (plate, profile, aluminium, etc.) and the use of thermally conductive paste).

**Cooling properties:**

1 cm Z200 = 3 cm<sup>2</sup> surface

**Recommended profile length in cm ④**

ta °C	P110/111	P108	P118	P130/131	P211-2 350 mA	P211-2 700 mA
20	20	20	28	19	6	12
30	20	22	34	24	7	16
40	20	32	⑤	31	10	22
50	20	⑤	⑤	⑤	15	⑤