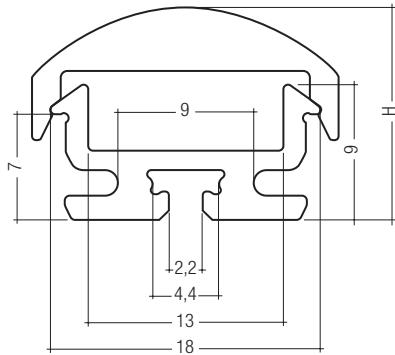


**TALEX(profile Z201
Mounting profile**

RoHS



TALEX(profile Z201 with cover and end cap

- mounting profile for TALEX chains and TALEX strips with a maximum width of 12 mm
- compact profile 9 x 18 mm
- mounting with TALEX(plate Z161 RZ
- wide accessory range
 - covers
 - linear lenses
 - end caps
 - mounting plates

TALEX						
type	article number	material	colour	dimensions HxWxL mm	weight/piece kg	packing unit ②
Z201 mounting profile	24138816	aluminium	anodised nature	9x18x2,000	0.34	5

TALEX accessories ④						
type	article number	material	colour	height H mm	dimensions (WxL) mm	packing unit ②
Z220 cover white	24138736	PMMA	white	16	20.5x2,000	5
Z221 cover frosted	24138737	PMMA	semi-transparent	16	20.5x2,000	5
Z222 cover transparent	24138738	PMMA	transparent	16	20.5x2,000	5
O200 linear lens 30° ①	24139172	PMMA	transparent	16	20.5x2,000	5
O200 linear lens 60° ①	24139164	PMMA	transparent	15	20.5x2,000	5
O200 linear lens 90° ①	24139165	PMMA	transparent	14	20.5x2,000	5
O200 linear lens 30° frosted ①	24139175	PMMA	semi-transparent	16	20.5x2,000	5
O200 linear lens 60° frosted ①	24139176	PMMA	semi-transparent	15	20.5x2,000	5
O200 linear lens 90° frosted ①	24139177	PMMA	semi-transparent	14	20.5x2,000	5
End cap for TALEX(profile Z201 ③	24138968	PMMA	metallic grey	19	23x6	10
Z161 RZ mounting plate ⑤	88166859	PMMA	white	6.5	18.7x33.5	100

- ① For details please refer to the corresponding data sheets.
- ② Delivery in packing units only.
- ③ Not suitable in combination with O200 (linear lens)
- ④ The cover may not be exposed to any mechanical stresses. If it is exposed to vibrations or wind the mounting plate can detach from the fixture. It must therefore be additionally secured.
- ⑤ Details see page 2.
- ⑥ Data are valid for applications with cover and end caps and with sufficient air circulation (convection). Compliance with the max. permissible temperature of the TALEX(module at the tc point (see data sheet) must be ensured in the thermally stable state. For further information on installation please refer to the brochure entitled "TALEX installation instructions".
- ⑦ The operation of TALEX(modules with this profile is not possible without additional cooling (e.g. mounting on another heat conductor (plate, profile, aluminium, etc.) and the use of thermally conductive paste).

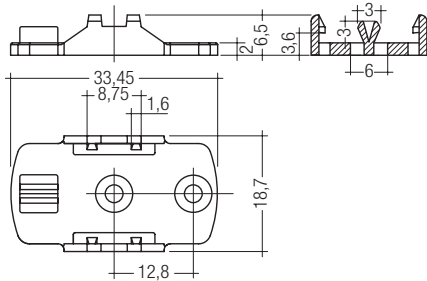
Cooling properties:
1 cm Z201 = 3 cm² surface

Recommended profile length in cm ⑥

ta °C	P110/111	P108	P118	P130/131	P211-2 350mA	P211-2 700mA
20	20	20	28	10	6	12
30	20	22	34	24	7	16
40	20	32	⑦	31	10	22
50	20	⑦	⑦	⑦	15	⑦

**TALEX(plate Z161 RZ
Mounting plate**

RoHS



Mounting

- Mounting plate with stud to prevent TALEX profiles sliding if mounted vertically
- Metric M2.5 screws or self-tapping screws with a diameter of 2.2 to 2.9 mm and a screw head height of no more than 2.2 mm are recommended for fixing the mounting plate.

E.g. screws from Bossard (www.bossard.com):
metric M2.5/Torx (BN6404) or self-tapping screws
Ø 2.2/Torx (BN13274)

Number of required mounting plates

For each 0.5 m profile a mounting plate is required, but at least two pieces.

The mounting plate must not be subjected to any further mechanical stresses. If this cannot be guaranteed (because of vibrations for example) it may become detached and must therefore be secured with additional fastenings.

TALEX

type	article number	material	colour	dimensions (LxWxH) mm	weight/piece g	packing unit
Z161 RZ mounting plate	88166859	PMMA	white	33.45x18.7x6.5	1	100