

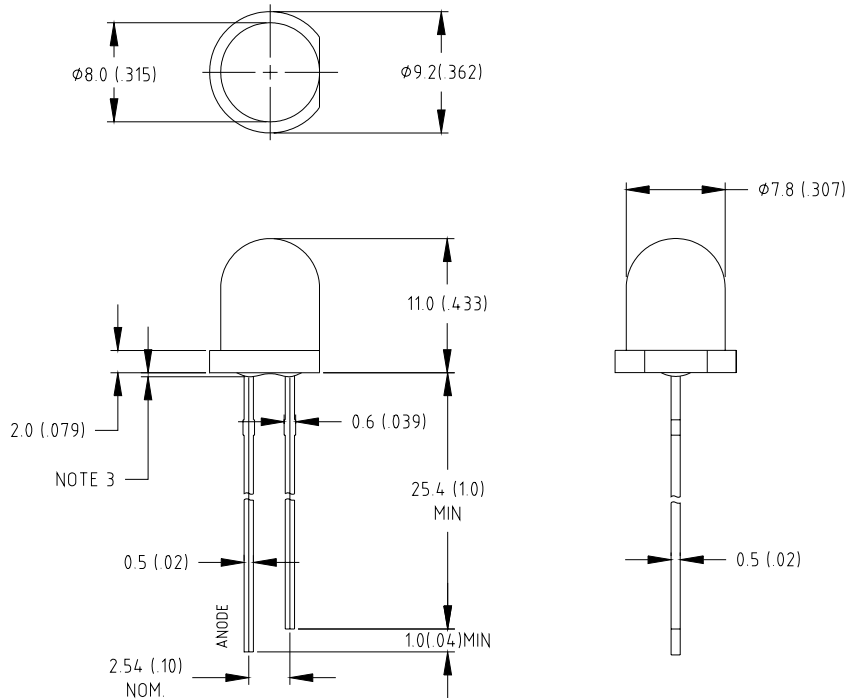
**SPECIFICATIONS FOR UPEC LAMP TYPE BLUE LED**

**MODEL: UE-LR800NB0-1XD**

## Features

- High intensity
- 8mm diameter package
- General purpose leads
- Reliable and rugged

## Package Dimensions



Part NO.	Chip Material	Lens Color	Source Color
UE-LR800NB0-1XD	InGaN	Water Clear	Blue

## Notes

1. All dimensions are in millimeters (inches).
2. Tolerance is  $\pm 0.25\text{mm}$  (.010") unless otherwise noted.
3. Protruded resin under flange is 1.0mm (.04") max.
4. Lead spacing is measured where the leads emerge from the package.
5. Specifications are subject to change without notice.
6. Precautions for ESD:  
**STATIC SHIELD** Electricity and surge damages the LED. It is recommended to use a wrist band or anti-electrostatic glove when handling the LED. All devices, equipment and machinery must be properly grounded.
7. This data-sheet only valid for six months.

			Approved	Checked	Symbol	UPEC LED
			Justin	Tsai	Name	UE-LR800NB0-1XD
-	JUN/07/04				Drawing No	WIENDS189
Mark	Date	Description Approve				

### Absolute Maximum Ratings at Ta=25

Parameter	Symbol	Max	Unit
Power Dissipation	PD	120	mW
Pulse Forward Current	IPF	100	mA
Forward Current	IF	30	mA
Reverse Voltage	VR	5	V
Operating Temperature Range	Topr	- 40 to + 80	°C
Storage Temperature Range	Tstg	- 40 to + 80	°C
Lead Soldering Temperature [ 1.6mm (0.063inch) From Body ] 260 °C For 5 Seconds			

### Electrical / Optical Characteristics at Ta=25

Parameter	Symbol	Min.	Typ.	Max.	Unit	Test Condition
Luminous Intensity	Iv	690	1600	3000	mcd	I <sub>f</sub> =20mA (Note 1)
Viewing Angle	2θ <sub>1/2</sub>	---	25	---	Deg	(Note 2)
Dominant Wavelength	λ <sub>d</sub>	---	470	---	nm	I <sub>f</sub> =20mA (Note 3)
Forward Voltage	V <sub>F</sub>	---	3.5	4.0	V	I <sub>F</sub> = 20mA
Reverse Current	I <sub>R</sub>	---	---	100	μA	V <sub>R</sub> = 5V

BIN	LO	LP	LQ	LR	---	---
Range	690-1000	1000-1500	1500-2200	2200-3300	---	---

Measurement Uncertainty of the Luminous Intensity: ± 15%

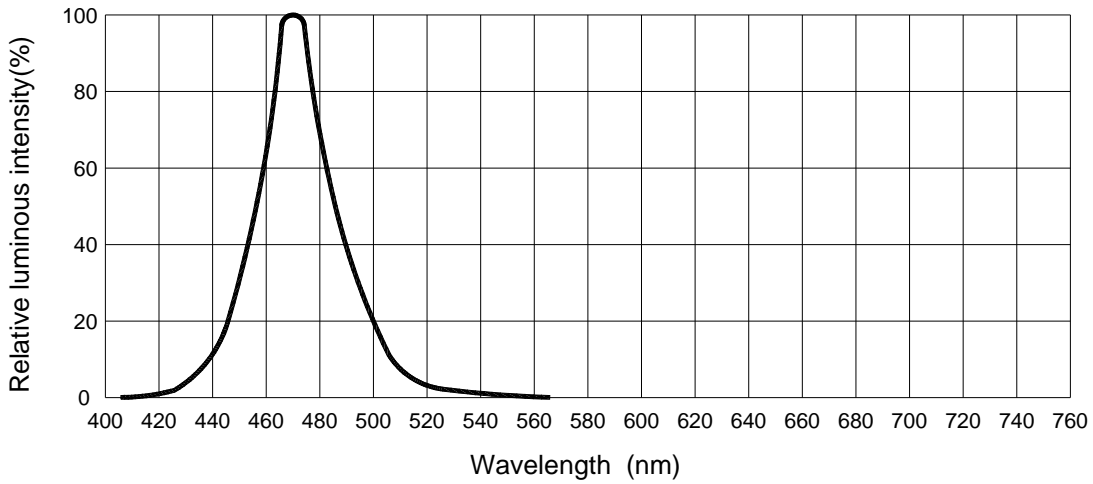
### Notes

- Luminous intensity is measured with a light sensor and filter combination that approximates the CIE eye-response curve.
- θ<sub>1/2</sub> is the off-axis angle at which the luminous intensity is half the axial luminous intensity.
- The dominant wavelength (λ<sub>d</sub>) is derived from the CIE chromaticity diagram and represents the single wavelength which defines the color of the device.

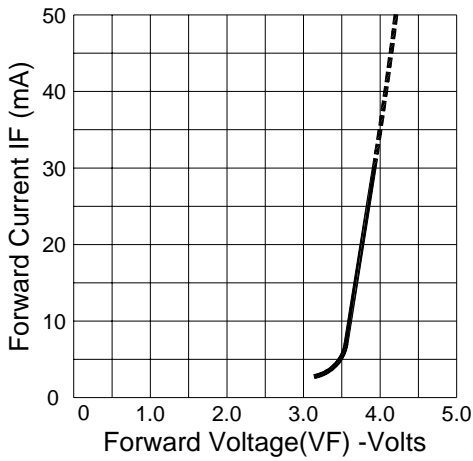
Mark	Date	Description Approve	Approved	Checked	Symbol	UPEC LED
-	JUN/07/04		Justin	Tsai	Name	UE-LR800NB0-1XD
					Drawing No	WIENDS189

# Typical Electrical / Optical Characteristics Curves

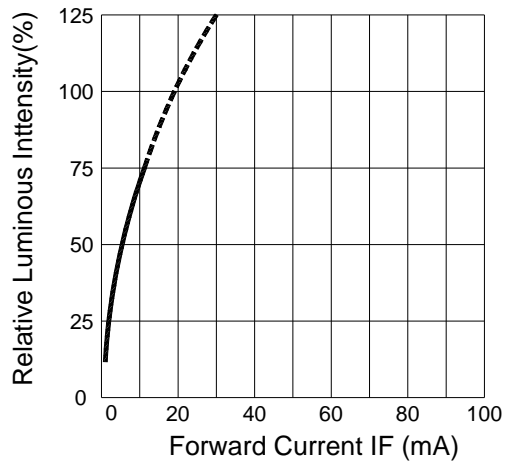
Spectrum Distribution



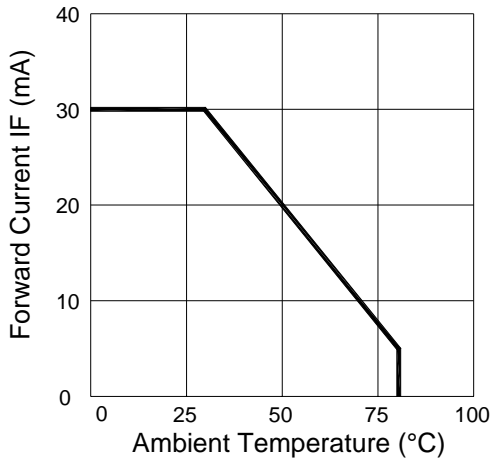
Forward Current VS. Forward Voltage



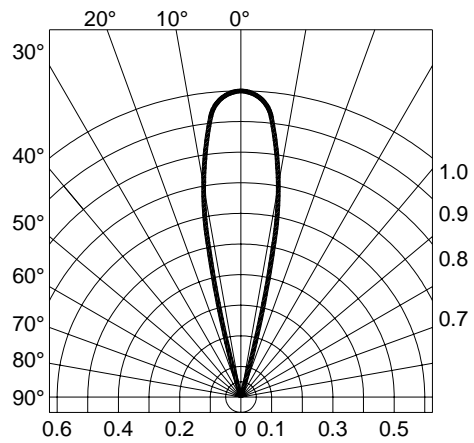
Luminous Intensity VS. Forward Current



Forward Current VS. Ambient Temperature



Radiation Diagram



			Approved	Checked	Symbol	UPEC LED
			Justin	Tsai	Name	UE-LR800NB0-1XD
-	JUN/07/04				Drawing No	WIENDS189
Mark	Date	Description Approve				

### Reliability Test Items and Conditions

No.	Item	Test Conditions	Test Hours / Cycle	Sample Q'ty	Ac/Re
1	Solder Heat	TEMP : 260 ±5	5 sec	22 pcs	0/1
2	Temperature Cycle	H : +85 30min. ∩ 5min. L : -35 30min.	50 cycle	22 pcs	0/1
3	Thermal Shock	H : +85 ∩ 5min. L : -35 5min.	50 cycle	22 pcs	0/1
4	High Temperature Storage	TEMP : 85	1000 hrs	22 pcs	0/1
5	Low Temperature Storage	TEMP : -35	1000 hrs	22 pcs	0/1
6	DC Operating Life	I <sub>F</sub> = 20mA	1000 hrs	22 pcs	0/1
7	High Temperature / High Humidity	65 / 85 ~ 90% R.H.	1000 hrs	22 pcs	0/1

#### Judgment Criteria

Forward Voltage Vf	V <sub>fmax</sub> Increase < 1.2x
Reverse Current Ir	I <sub>rmax</sub> Increase < 2x
Luminous Intensity Iv	Iv Decay < 50%

Note : Measurement shall be taken after the tested samples have been returned to normal ambient conditions (generally after two hours)

			Approved	Checked	Symbol	UPEC LED
			Justin	Tsai	Name	UE-LR800NB0-1XD
-	JUN/07/04				Drawing No	WIENDS189
Mark	Date	Description Approve				