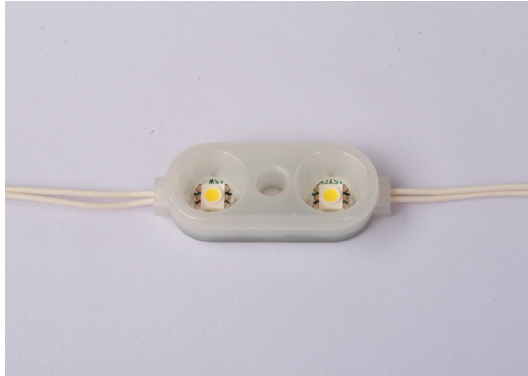


LED Module AI-2045W

RoHS Compliant



Characteristics

- 1) Two High output power White LEDs are utilized
- 2) Available daisy chain connection method
- 3) Splash proof IPX3
- 4) Long Operating Life(50,000 hours)

**At 50% of Initial output*

Description of Part Number

A I - 2 0 4 5 W
 (1) (2) (3)

(1) Model Code	AI-20
(2) Package Dimension	45 : About 45 mm
(3) Luminous Color	W : White

Unit Specification at Ts=25°C

Item	Ratings	Unit
Input Voltage	DC24	V
Power Consumption	0.43	W
Total Luminous Flux	19.35	lm
Luminous Intensity	6	cd
Chromaticity *1	x	0.31
	y	0.31
Distribution of luminous intensity	120	°
Max units of serial connect *2	100	units
Operating Temperature *3	-20 to +60	°C
Storage Temperature *3	-30 to +80	°C
Mass	About 8.5	g

*1 Typical, Ta=25°C

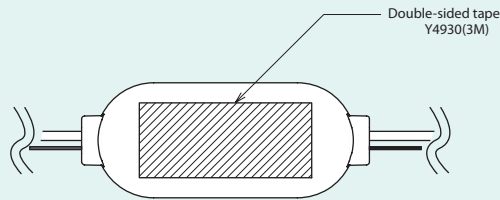
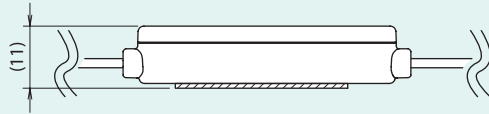
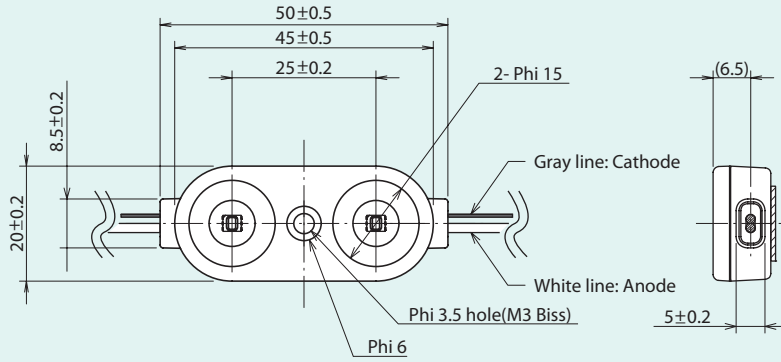
*2 When connect units by 200mm pitch

*3 No freezing and no condensation

Package Dimensions

AI-2045W

unit : mm



· The appearance and specifications of the product may be modified for improvement without notice.



US A'SYCK, CORP.
Manufactured by A'SYCK Co., Ltd.

17880 Sky Park Circle, Suite 280, Irvine, CA 92614
Phone: (949)724-1618 Fax: (949)724-1686

37-1, Nisiura, Hironocho, Uji City, Kyoto, JAPAN 611-0031
Phone: 010-81-774-44-6544 Fax: 010-81-774-44-6575