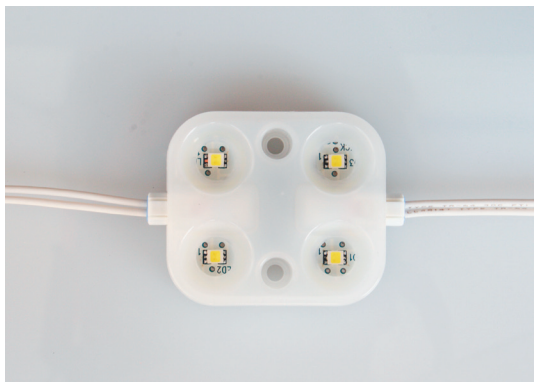


LED Module

RoHS Compliant

AI-4045W Series



AI-4045W-H

Characteristics

- 1) Four High output power White LEDs are utilized
- 2) Available daisy chain connection method
- 3) Splash proof IPX3
- 4) Long Operating Life(50,000 hours)

**At 50% of Initial output*

Description of Part Number

A I - 4 0 4 5 W - *
 (1) (2) (3) (4)

(1) Model Code	AI-40
(2) Package Dimension	45 : About 45 mm
(3) Luminous Color	W : White
(4) Method for connection	H : Harness J : Connector

Unit Specification at Ta=25°C

Item	Ratings	Unit
Input Voltage	DC24	V
Power Consumption	0.84	W
Total Luminous Flux	38.7	lm
Luminous Intensity	12	cd
Chromaticity *1	x	0.31
	y	0.31
Distribution of luminous intensity	120	°
Max units of serial connect *2	50	units
Operating Temperature *3	-20 to +60	°C
Storage Temperature *3	-30 to +80	°C
Weight	About 16.5	g

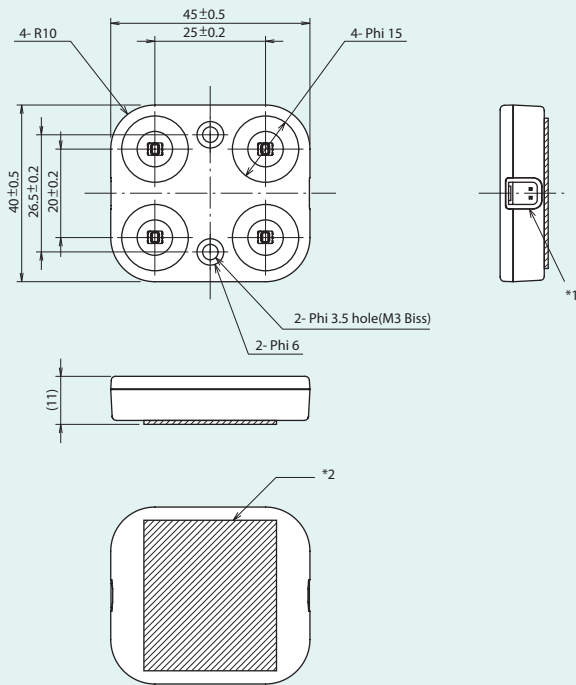
*1 Typ, Ta=25°C

*2 When connect units by 150mm pitch

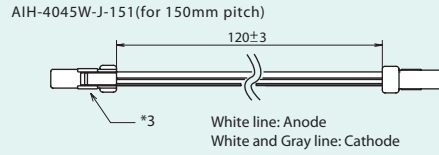
*3 No freezing and no condensation

Package Dimensions

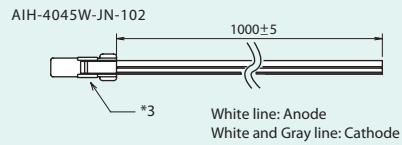
AI-4045W-J(Joined by connector)



Harness for connection

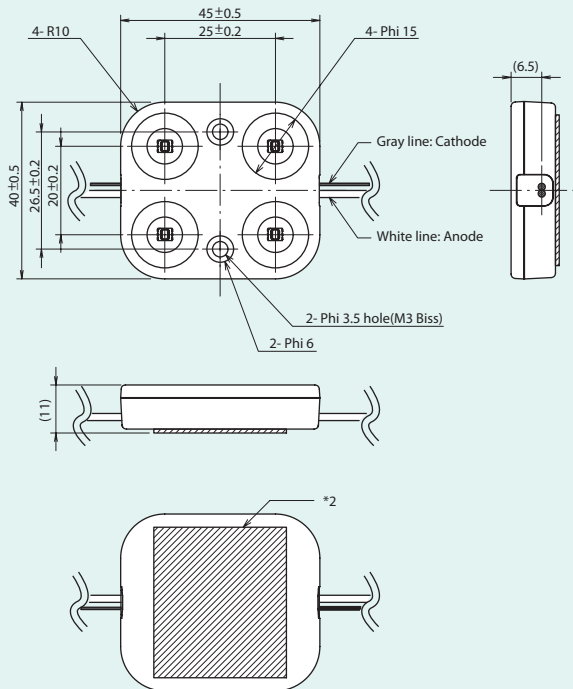


Harness for input



- *1: Connector
B02B-JWPF-SK-R(Made by J.S.T. Co., Ltd.)
- *2: Double-sided tape
Y4930(3M)
- *3: Housing
02R-JWPF-VSLE-S(Made by J.S.T. Co., Ltd.)

AI-4045W-H(Joined by harness)



· The appearance and specifications of the product may be modified for improvement without notice.



US A'SYCK, CORP.
Manufactured by A'SYCK Co., Ltd.

17880 Sky Park Circle, Suite 280, Irvine, CA 92614
Phone: (949)724-1618 Fax: (949)724-1686

37-1, Nisiura, Hironocho, Uji City, Kyoto, JAPAN 611-0031
Phone: 010-81-774-44-6544 Fax: 010-81-774-44-6575