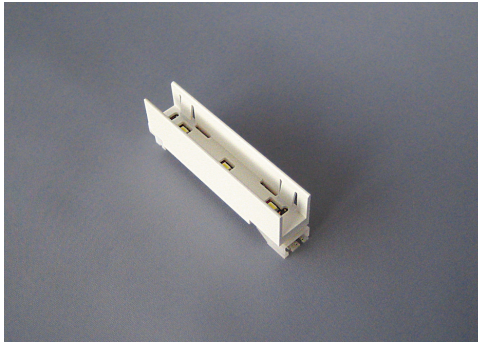


LED Edge Light

AI-6053W/AI-6083W



AI-6083W

Characteristics

- 1) Three LEDs are utilized
- 2) Compact & smart package
- 3) Connectable(Max:50units)
- 4) Connectable to Light guide panel
- 5) Emmitting color : White

Description of Part Number

A I - 6 0 * 3 W
 (1) (2) (3) (4)

(1) Model Code	AI-60	
(2) Thickness	5 : 5mm	8 : 8mm
(3) Number of LEDs	3 : 3 LEDs	
(4) Luminous Color	W : White	

Unit Specification at Ta=25°C

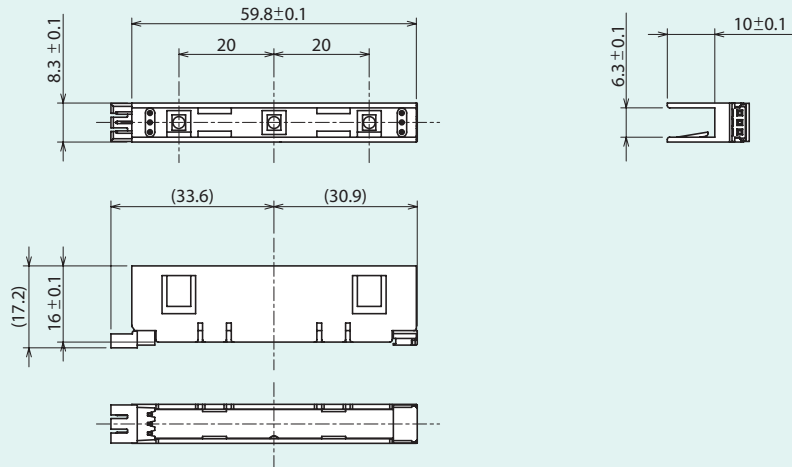
Item	Ratings	Unit
Rated Voltage	DC24	V
Power Consumption	0.48	W
Total Luminous Flux	38.7	lm
Luminous Intensity	12.5	cd
Max units of serial connect	50	units
Operating Temperature Range	-10 to +50	°C
Storage Temperature Range	-20 to +60	°C
Life time	40,000 *	h

*At 70% of initial output

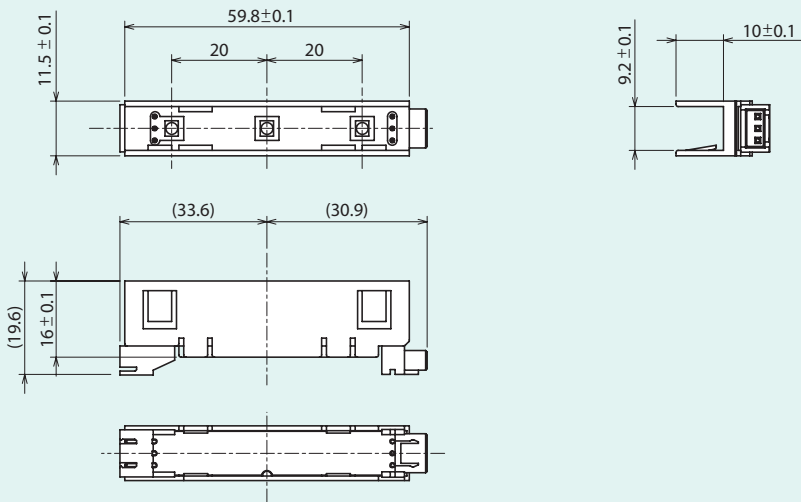
Package Dimensions

unit: mm

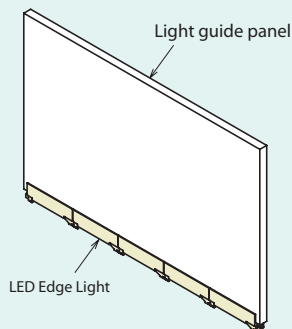
AI-6053W



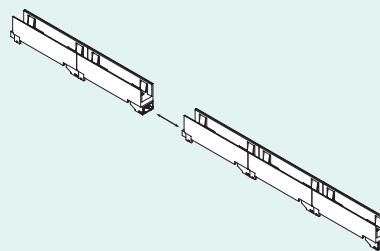
AI-6083W



Squint Image



Consolidated Figure



· The appearance and specifications of the product may be modified for improvement without notice.



US A'SYCK, CORP.

Manufactured by A'SYCK Co., Ltd.

17880 Sky Park Circle, Suite 280, Irvine, CA 92614
 Phone: (949)724-1618 Fax: (949)724-1686

37-1, Nisiura, Hironocho, Uji City, Kyoto, JAPAN, 611-0031
 Phone: 010-81-774-44-6544 Fax: 010-81-774-44-6575