

## ADM202/ADM203

### FEATURES

- 120 kB Transmission Rate
- ADM202: Small (0.1  $\mu$ F) Charge Pump Capacitors
- ADM203: No External Capacitors Required
- Single 5 V Power Supply
- Meets EIA-232-E and V.28 Specifications
- Two Drivers and Two Receivers
- On-Board DC-DC Converters
- $\pm 9$  V Output Swing with +5 V Supply
- Low Power BiCMOS: 2.0 mA  $I_{CC}$
- $\pm 30$  V Receiver Input Levels

### APPLICATIONS

- Computers
- Peripherals
- Modems
- Printers
- Instruments

### GENERAL DESCRIPTION

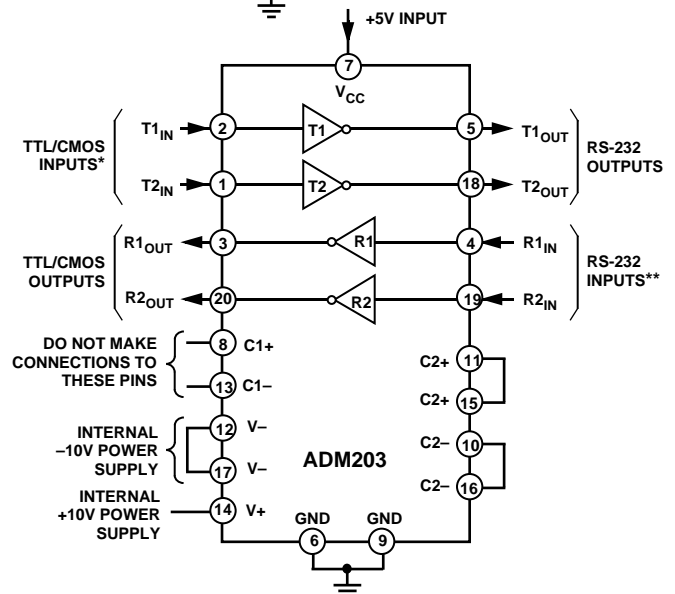
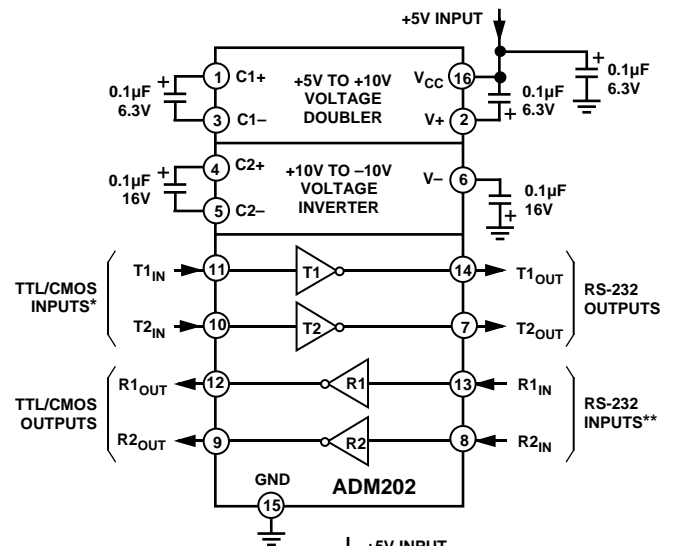
The ADM202/ADM203 is a two-channel RS-232 line driver/receiver pair designed to operate from a single +5 V power supply. A highly efficient on-chip charge pump design permits RS-232 levels to be developed using charge pump capacitors as small as 0.1  $\mu$ F. The capacitors are internal to the package on the ADM203 so no external capacitors are required. These converters generate  $\pm 10$  V RS-232 output levels.

The ADM202/ADM203 meets or exceeds the EIA-232-E and V.28 specifications. Fast driver slew rates permit operation up to 120 kB while high drive currents allows for extended cable lengths.

An epitaxial BiCMOS construction minimizes power consumption to 10 mW and also guards against latch-up. Overvoltage protection is provided allowing the receiver inputs to withstand continuous voltages in excess of  $\pm 30$  V. In addition, all pins contain ESD protection to levels greater than 2 kV.

The ADM202 is available in 16-lead DIP and both narrow and wide SOIC packages. The ADM203 is available in a 20-pin DIP package.

### FUNCTIONAL BLOCK DIAGRAMS



\*INTERNAL 400k PULL-UP RESISTOR ON EACH TTL/CMOS INPUT

\*\*INTERNAL 5k PULL-DOWN RESISTOR ON EACH RS-232 INPUT

### REV. 0

Information furnished by Analog Devices is believed to be accurate and reliable. However, no responsibility is assumed by Analog Devices for its use, nor for any infringements of patents or other rights of third parties which may result from its use. No license is granted by implication or otherwise under any patent or patent rights of Analog Devices.

# ADM202/ADM203—SPECIFICATIONS (V<sub>CC</sub> = +5 V ± 10%, (ADM202 C1–C4 = 0.1 μF. All Specifications T<sub>MIN</sub> to T<sub>MAX</sub>, unless otherwise noted)

Parameter	Min	Typ	Max	Units	Conditions/Comments
Output Voltage Swing	±5	±9		V	V <sub>CC</sub> = 5 V ± 5%, T1 <sub>OUT</sub> , T2 <sub>OUT</sub> Loaded with 3 kΩ to GND
Output Voltage Swing	±5	±9		V	V <sub>CC</sub> = 5 V ± 10%, T <sub>A</sub> = +25°C, T1 <sub>OUT</sub> , T2 <sub>OUT</sub> Loaded with 3 kΩ to GND
V <sub>CC</sub> Power Supply Current.		1.5	2	mA	No Load, T1 <sub>IN</sub> , T2 <sub>IN</sub> = V <sub>CC</sub>
		3.0	4	mA	No Load, T1 <sub>IN</sub> , T2 <sub>IN</sub> = GND
Input Logic Threshold Low, V <sub>INL</sub>			0.8	V	T <sub>IN</sub>
Input Logic Threshold High, V <sub>INH</sub>	2.0			V	T <sub>IN</sub>
Logic Pull-Up Current		10	25	μA	T <sub>IN</sub> = 0 V
RS-232 Input Voltage Range	–30		+30	V	
RS-232 Input Threshold Low	0.8	1.2		V	
RS-232 Input Threshold High		1.7	2.4	V	
RS-232 Input Hysteresis	0.2	0.5	1.0	V	
RS-232 Input Resistance	3	5	7	kΩ	
TTL/CMOS Output Voltage Low, V <sub>OL</sub>			0.4	V	I <sub>OUT</sub> = 1.6 mA
TTL/CMOS Output Voltage High, V <sub>OH</sub>	3.5			V	I <sub>OUT</sub> = –1.0 mA
Propagation Delay		0.5	5	μs	RS-232 to TTL
Instantaneous Slew Rate <sup>1</sup>		25	30	V/μs	C <sub>L</sub> = 10 pF, R <sub>L</sub> = 3–7 kΩ, T <sub>A</sub> = +25°C
Transition Region Slew Rate		5		V/μs	R <sub>L</sub> = 3 kΩ, C <sub>L</sub> = 2500 pF
Baud Rate	120			kB	Measured from +3 V to –3 V or –3 V to +3 V
Output Resistance	300			Ω	R <sub>L</sub> = 3 kΩ, C <sub>L</sub> = 1 nF
RS-232 Output Short Circuit Current		±10	±60	mA	V <sub>CC</sub> = V+ = V– = 0 V, V <sub>OUT</sub> = ±2 V

**NOTE**

<sup>1</sup>Sample tested to ensure compliance.

Specifications subject to change without notice.

**ABSOLUTE MAXIMUM RATINGS\***

(T<sub>A</sub> = +25°C unless otherwise noted)

V <sub>CC</sub> .....	+6 V
V+ .....	(V <sub>CC</sub> – 0.3 V) to +14 V
V– .....	+0.3 V to –14 V
Input Voltages	
T <sub>IN</sub> .....	–0.3 V to (V <sub>CC</sub> + 0.3 V)
R <sub>IN</sub> .....	±30 V
Output Voltages	
T <sub>OUT</sub> .....	(V+, +0.3 V) to (V–, –0.3 V)
R <sub>OUT</sub> .....	–0.3 V to (V <sub>CC</sub> + 0.3 V)
Short Circuit Duration	
T <sub>OUT</sub> .....	Continuous
Power Dissipation	
N-16 DIP .....	470 mW
R-16N SOIC .....	600 mW
R-16W SOIC .....	500 mW
N-20 DIP .....	890 mW
Thermal Impedance	
N-16 DIP .....	135°C/W
R-16N SOIC .....	105°C/W

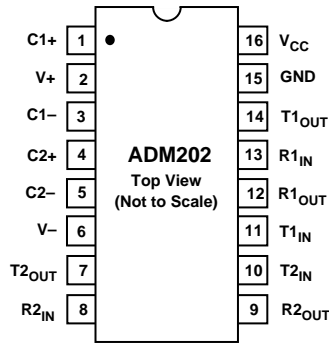
R-16W SOIC .....	105°C/W
N-20 DIP .....	125°C/W
Operating Temperature Range	
Commercial (J Version) .....	0°C to +70°C
Storage Temperature Range .....	–65°C to +150°C
Lead Temperature Soldering	
Vapor Phase (60 sec) .....	+215°C
Infrared (15 sec) .....	+220°C
ESD Rating .....	>2000 V

\*This is a stress rating only and functional operation of the device at these or any other conditions above those indicated in the operation sections of this specification is not implied. Exposure to absolute maximum rating conditions for extended periods of time may affect reliability.

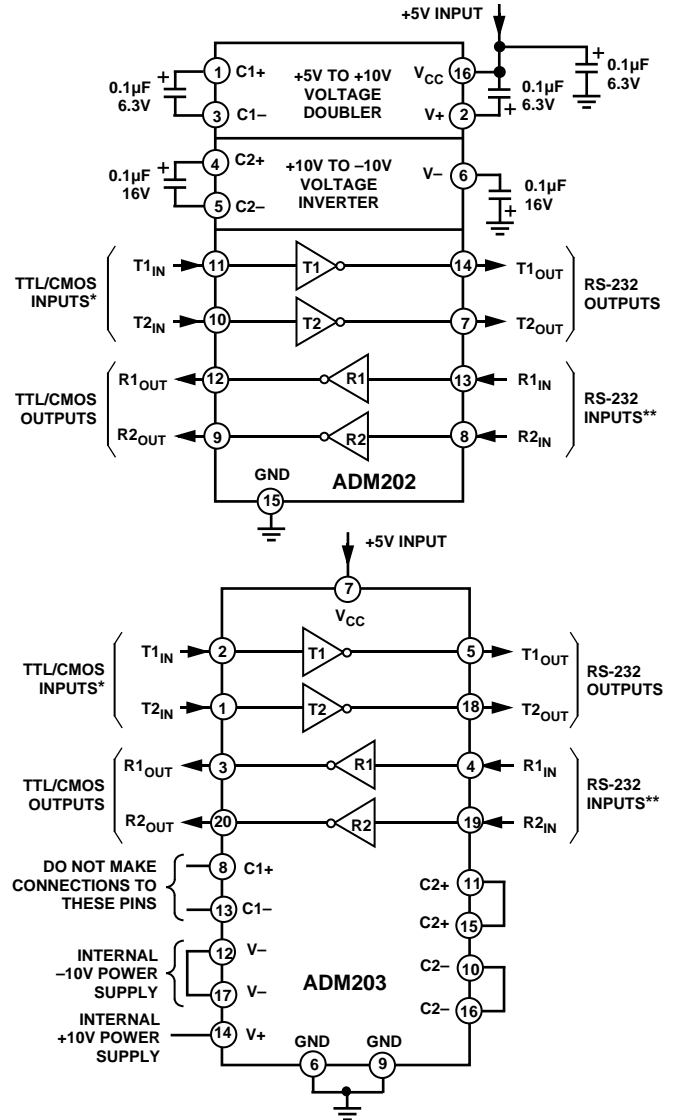
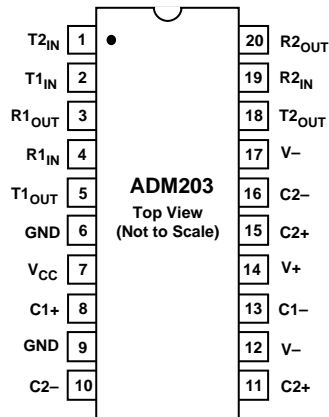
**ORDERING GUIDE**

Model	Temperature Range	Package Option
ADM202JN	0°C to +70°C	N-16
ADM202JRN	0°C to +70°C	R-16N
ADM202JRW	0°C to +70°C	R-16W
ADM203JN	0°C to +70°C	N-20

## PIN CONFIGURATIONS DIP/SOIC



**DIP**



\*INTERNAL 400k PULL-UP RESISTOR ON EACH TTL/CMOS INPUT  
\*\*INTERNAL 5k PULL-DOWN RESISTOR ON EACH RS-232 INPUT

Figure 1. Typical Operating Circuits

## PIN FUNCTION DESCRIPTION

Mnemonic	Function
V <sub>CC</sub>	Power Supply Input 5 V ± 10%.
V+	Internally Generated Positive Supply (+10 V nominal).
V-	Internally Generated Negative Supply (-10 V nominal).
GND	Ground Pin. Must be connected to 0 V.
C1+	ADM202 External Capacitor, (+ terminal) is connected to this pin. ADM203: The capacitor is connected internally and no external capacitor is required.
C1-	ADM202 External Capacitor, (- terminal) is connected to this pin. ADM203: The capacitor is connected internally and no external capacitor is required.
C2+	ADM202 External Capacitor, (+ terminal) is connected to this pin. ADM203: The capacitor is connected internally and no external capacitor is required.
C2-	ADM202 External Capacitor, (- terminal) is connected to this pin. ADM203: The capacitor is connected internally and no external capacitor is required.
T <sub>IN</sub>	Transmitter (Driver) Inputs. These inputs accept TTL/CMOS levels. An internal 400 kΩ pull-up resistor to V <sub>CC</sub> is connected on each input.
T <sub>OUT</sub>	Transmitter (Driver) Outputs. These are RS-232 levels (typically ± 10 V).

# ADM202/ADM203

$R_{IN}$	Receiver Inputs. These inputs accept RS-232 signal levels. An internal 5 k $\Omega$ pull-down resistor to GND is connected on each of these inputs.
$R_{OUT}$	Receiver Outputs. These are TTL/CMOS levels.

## GENERAL INFORMATION

The ADM202/ADM203 is an RS-232 drivers/receivers designed to solve interface problems by meeting the EIA-232E specifications while using a single digital +5 V supply. The EIA standard requires transmitters that will deliver  $\pm 5$  V minimum on the transmission channel and receivers that can accept signal levels down to  $\pm 3$  V. The parts achieve this by integrating step up voltage converters and level shifting transmitters and receivers onto the same chip. CMOS technology is used to keep the power dissipation to an absolute minimum.

The ADM203 uses internal capacitors and, therefore, no external capacitors are required.

The ADM202 contains an internal voltage doubler and a voltage inverter which generates  $\pm 10$  V from the +5 V input. External 0.1  $\mu$ F capacitors are required for the internal voltage converter.

The ADM202/ADM203 is a modification, enhancement and improvement to the AD230–AD241 family and derivatives thereof. It is essentially plug-in compatible and does not have materially different applications.

## CIRCUIT DESCRIPTION

The internal circuitry consists of three main sections. These are

- A Charge Pump Voltage Converter
- RS-232 to TTL/CMOS Receivers
- TTL/CMOS to RS-232 Transmitters

### Charge Pump DC-DC Voltage Converter

The charge pump voltage converter consists of an oscillator and a switching matrix. The converter generates a  $\pm 10$  V supply from the input 5 V level. This is done in two stages using a switched capacitor technique as illustrated below. First, the 5 V input supply is doubled to 10 V using capacitor C1 as the charge storage element. The 10 V level is then inverted to generate  $-10$  V using C2 as the storage element.

Capacitors C3 and C4 are used to reduce the output ripple. Their values are not critical and can be reduced if higher levels of ripple are acceptable. The charge pump capacitors C1 and C2 may also be reduced at the expense of higher output impedance on the V+ and V– supplies. On the ADM203, all capacitors C1 to C4 are molded into the package.

The V+ and V– supplies may also be used to power external circuitry if the current requirements are small.

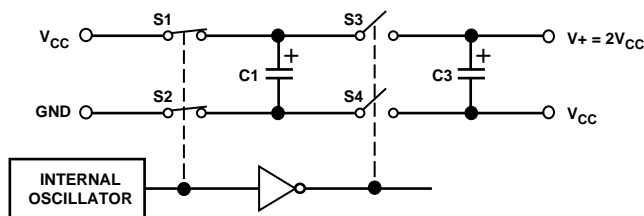


Figure 2. Charge Pump Voltage Doubler

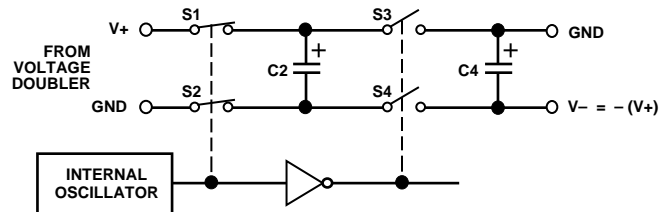


Figure 3. Charge Pump Voltage Inverter

### Transmitter (Driver) Section

The drivers convert TTL/CMOS input levels into EIA-232-E output levels. With  $V_{CC} = +5$  V and driving a typical EIA-232-E load, the output voltage swing is  $\pm 9$  V. Even under worst case conditions the drivers are guaranteed to meet the  $\pm 5$  V EIA-232-E minimum requirement.

The input threshold levels are both TTL and CMOS compatible with the switching threshold set at  $V_{CC}/4$ . With a nominal  $V_{CC} = 5$  V the switching threshold is 1.25 V typical. Unused inputs may be left unconnected, as an internal 400 k $\Omega$  pull-up resistor pulls them high forcing the outputs into a low state.

As required by the EIA-232-E standard the slew rate is limited to less than 30 V/ $\mu$ s without the need for an external slew limiting capacitor and the output impedance in the power-off state is greater than 300  $\Omega$ .

### Receiver Section

The receivers are inverting level shifters that accept EIA-232-E input levels ( $\pm 5$  V to  $\pm 15$  V) and translate them into 5 V TTL/CMOS levels. The inputs have internal 5 k $\Omega$  pull-down resistors to ground and are also protected against overvoltages of up to  $\pm 30$  V. The guaranteed switching thresholds are 0.8 V minimum and 2.4 V maximum which are well within the  $\pm 3$  V EIA-232 requirement. The low level threshold is deliberately positive as it ensures that an unconnected input will be interpreted as a low level.

The receivers have Schmitt trigger input with a hysteresis level of 0.5 V. This ensures error free reception both for noisy inputs and for inputs with slow transition times.

# Typical Performance Characteristics—ADM202/ADM203

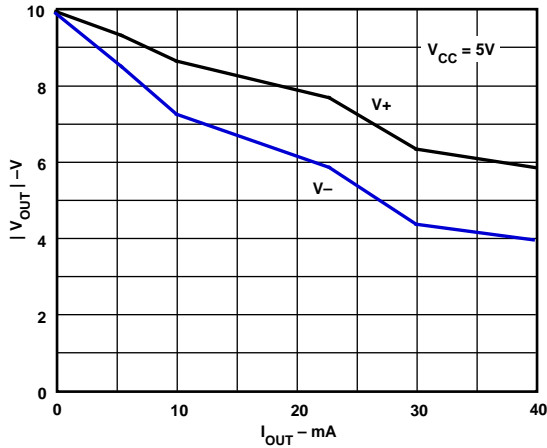


Figure 4. Charge Pump  $V_+$ ,  $V_-$  vs. Current

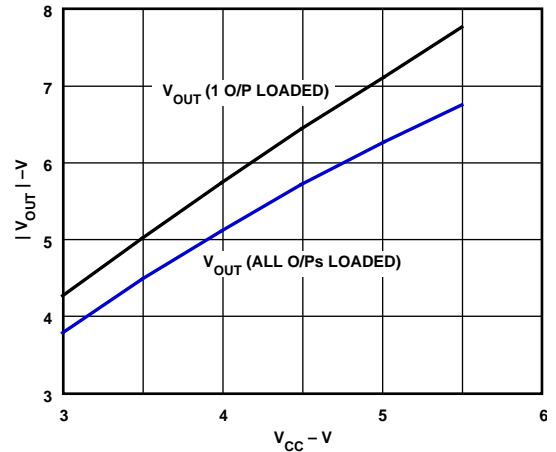


Figure 7. Transmitter Output Voltage vs.  $V_{CC}$

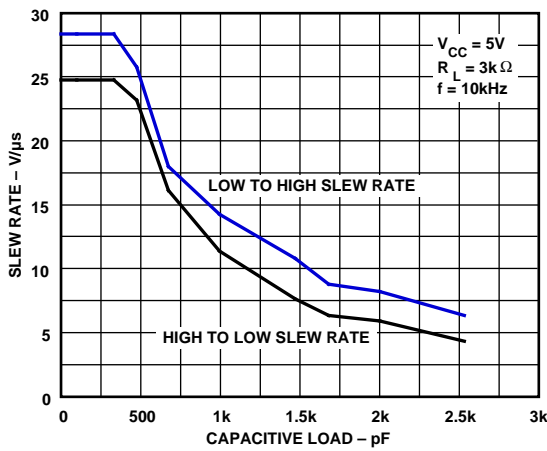


Figure 5. Transmitter Slew Rate vs. Load Capacitance

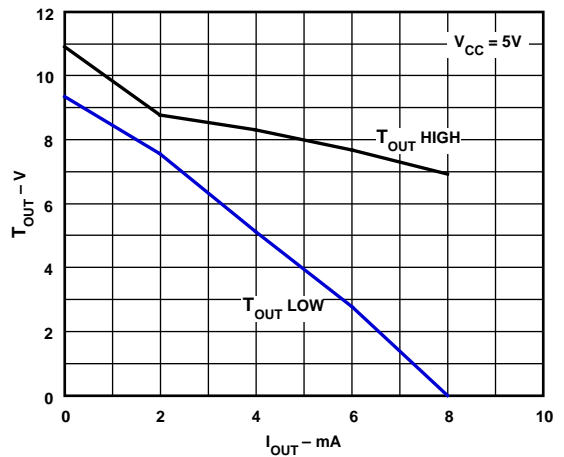


Figure 8. Transmitter Output Voltage vs. Current

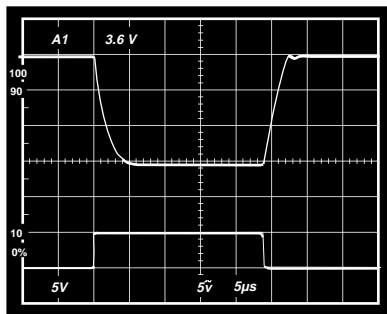


Figure 6. Transmitter Fully Loaded Slew Rate

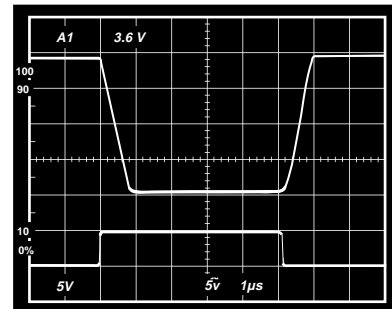
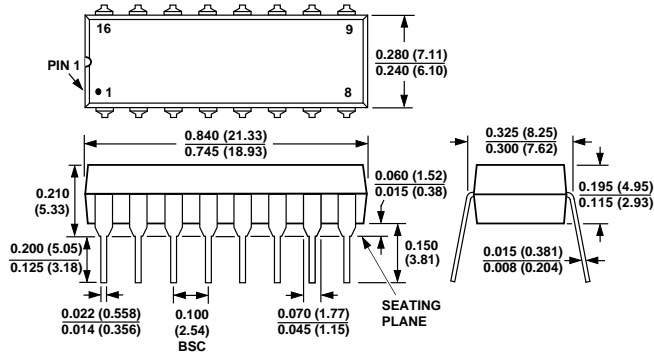


Figure 9. Transmitter Unloaded Slew Rate

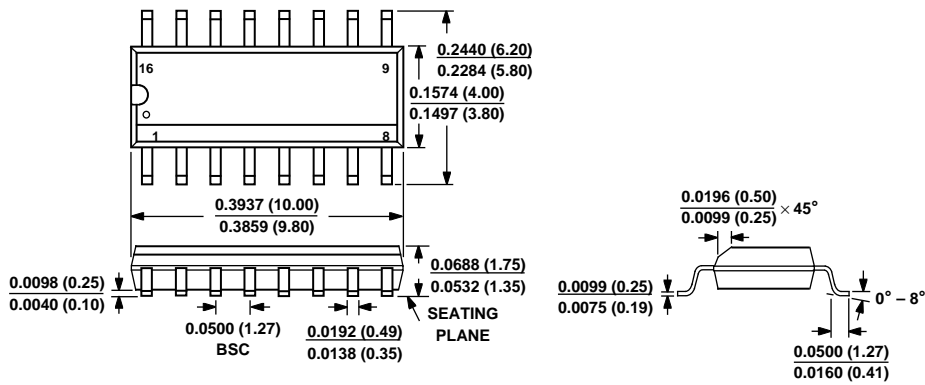
## OUTLINE DIMENSIONS

Dimensions shown in inches and (mm).

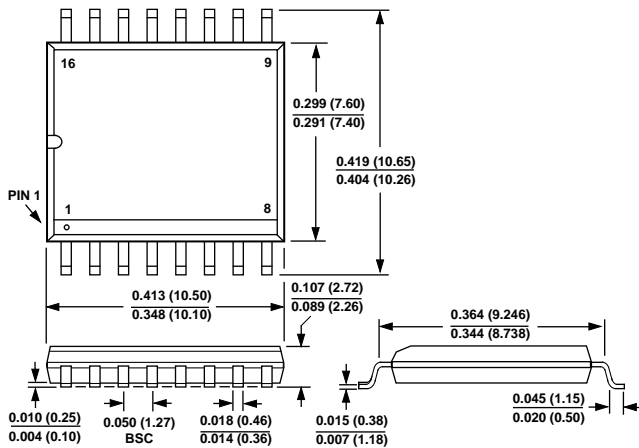
### 16-Pin Plastic DIP (N-16)



### 16-Lead Narrow SOIC (R-16N)



### 16-Lead Wide SOIC (R-16W)



### 20-Pin Plastic DIP (N-20)

