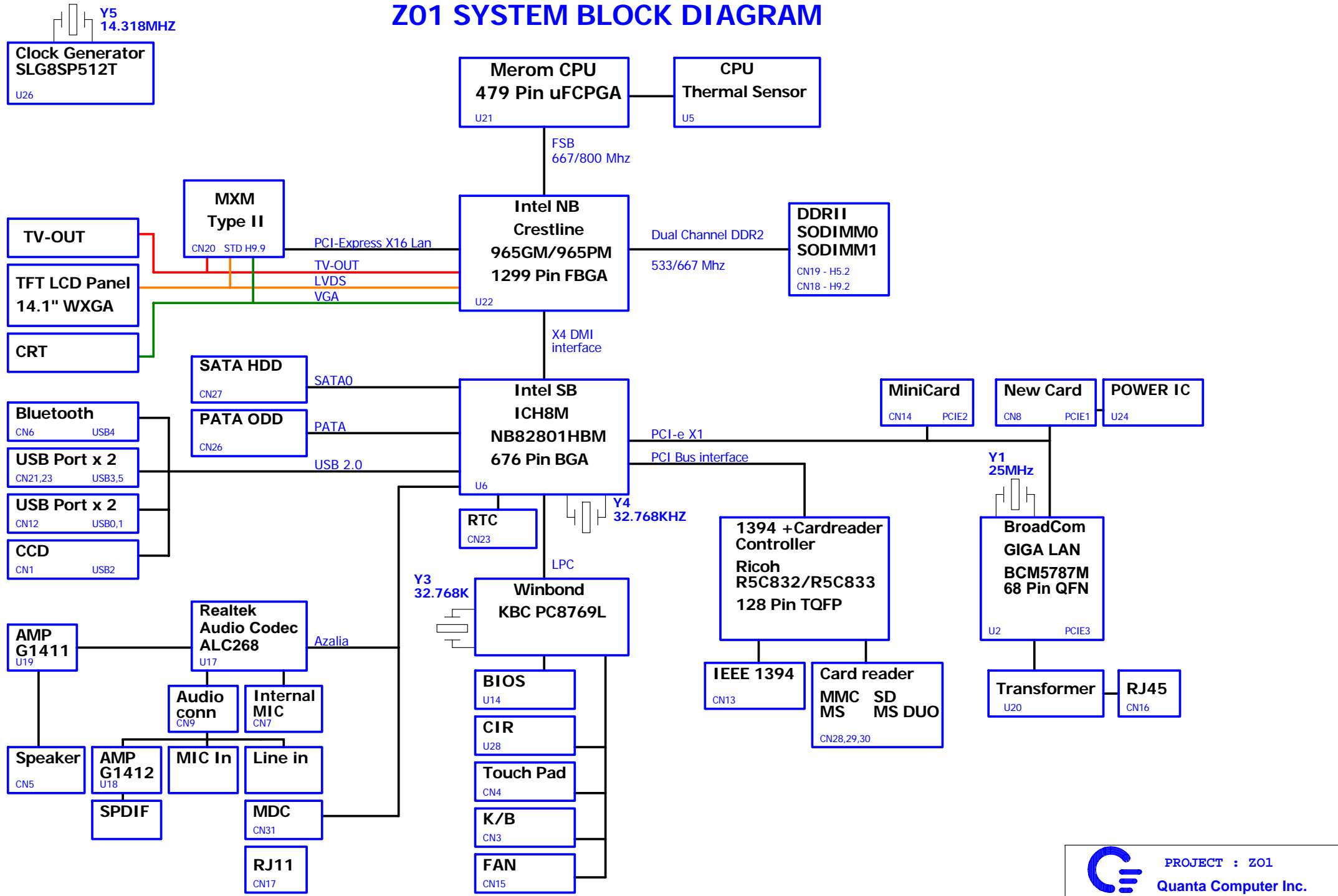


MODEL :	REV:	CHANGE LIST:	MODEL : Z01 MB		
Z01 MotherBoard	1A	FIRST RELEASE	PAGE	FROM	TO
	1B	PAGE02. 1. R447,455,456 MODIFY to EP P/N:CS14752FB11 PAGE03. 1. STUFF HOLE6 P/N:FBZ01007010 2. STUFF HOLE7,8,15 P/N:FBED8001016 , 3. STUFF HOLE5 P/N:FBZ01006010 PAGE03. 1. STUFF HOLE23,25 P/N:FBZ01003010 2. STUFF HOLE18 P/N:FBZ01004010 , 3. STUFF HOLE31 P/N:FBZ01005010 PAGE05. 1. U22 MODIFY to GM965 P/N:A700N120T04 , 2. R193,194 MODIFY to EP P/N:CS03902FB11 PAGE06. 1. R242 MODIFY to EP P/N:CS33002JB23 PAGE08. 1. L52,53 MODIFY to EP P/N:CV01004KNO0 PAGE11. 1. R332 MODIFY to EP P/N:CS23243F930 , 2. U6 MODIFY to ICH8 P/N:AJ00M740T03 PAGE12. 1. R244,R347,R353 MODIFY to EP P/N:CS00004JA40 , 2. L28 MODIFY to P/N:CV-1005MZ01 PAGE13. 1. CN10 MODIFY to CRT P/N:DFDS15FR611 PAGE15. 1. R467 MODIFY to EP P/N:CS00004JA40,2. R50 MODIFY to EP P/N:CS31003J941,3.CN27 MODIFY to SATA P/N:DFHS22FR005 PAGE16. 1. CN16 MODIFY to RJ45/11 P/N:DFTJ15FR057 PAGE18. 1. R317,323 MODIFY to 0603 P/N:CS31003F949 , 2. R310 MODIFY to EP P/N:CS31003J941 PAGE20. 1. PR100 MODIFY to EP P/N:CS51002FB11 PAGE21. 1. PR86 MODIFY to EP P/N:CS24022FB13 , 2. PR38,82 MODIFY to 1% P/N:CS31002FB26 , 3. PR83 MODIFY to EP P/N:CS00004JA40 PAGE22. 1. PR10 MODIFY to EP P/N:CS32002FB29 , 2. PR6 MODIFY to 1% P/N:CS51003F934 PAGE23. 1. PR106 MODIFY to 0 ohm P/N:CS00002JB38 , 2. UN-STUFF PR107,PC111 PAGE24. 1. PR29 MODIFY to EP P/N:CS31003J941 2. PJ1 MODIFY to BATTERY P/N:DFHD07MR006 PAGE25. 1. PR70 MODIFY to EP P/N:CS32002FB29	1	1A	
			2	2B	
			3	2B	
			4	2B	
			5	2B	
			6	2B	
			7	2B	
			8	2B	
			9	2A	
	2A	PAGE02. 1. Connect VDDIO CLK to +1.25V 2. un-stuff R292;R445;R308 3. stuff C575,C574,C576,C578,C573,C546 for EMI issue PAGE06. 1. Connect ICH PWROK SIGNAL TO NB CLPWROK 2.un-stuff R242;R235;R422;R222;R421;R423 3. R360,R361 only stuff for UMA PAGE07. 1. MODIFY 22u to 10u PAGE08. 1. R489 MODIFY to 0805 2. Stuff L50;R182;C238 for EV@ (MXM) PAGE09. 1. Add PU for SMA MA14 ; SMB MA14 PAGE10. 1. un-stuff R337,C115,C127,C129,C298,C302,C294,C283,C291 PAGE11. 1. Q18 MODIFY to P/N:AL07SZ04C27 2.R395 connect to VCCRTC 3.R336;R251;R419;R255 un-stuff 4.R226 connect to +3V_S5 5.ICH_PWROK to SB CLPWROK PAGE11. 1. stuff C500,C509,C300,C513 33pF P/N:CH03306JB04 2. C507,C508 10pF change to 15pF P/N:CH01506JB06 , 3. stuff R238,R392,C2989 for Contr-LINK PAGE12. 1. VCCSDA & VCCSUSDA change to 3V PAGE13. 1. ADD CRT DDC IN PU 2. R8, L9, L10 P/N change to 0.47UH for MXM , 3. C22,C24,C25,C27,C31,C32 P/N change to 47pF for MXM PAGE14. 1. CN6 MODIFY CONN. to 5 PIN P/N:DFHD05MRD98 PAGE15. 1. MODIFY SWITCH BOARD PIN DEFINE 2. Modify FAN circuit , 2. MR1 P/N change to AL000268000 PAGE16. 1. C46,C47 27pF change to 33pF P/N:CH03306JB04 2. stuff C104,C105,C119,C112 0.1uF P/N:CH41003ZB35 PAGE17. 1. CARD READER COLAY TO CN28, DEL CN30 2. C311 change to 27pF P/N:CH02706JB06 3. stuff R209 4. un-stff R213,C325,U11 PAGE18. 1. CHANGE MDC & CODEC to 3V 2.Delete D12 3. stuff R314,R483,C393,C595 PAGE19. 1. SWAP NBSWON# & ACIN 2. C363,C364 5.6pF change to 18pF P/N:CH01806JB07 PAGE20. 1. Modify PQ19 P/N PAGE21. 1. Modify Capacitor P/N to meet ME height limit PAGE22. 1. stuff PR74,PC69 2. Remove JP Pad PAGE23. 1. stuff PR126,PC131,PC137 2. Remove JP Pad 3. un-stuff +1.8V PAGE25. 1. un-stuff PR101,PQ21,PR22,PQ2,PR26,PR9,PR5,PC33,PC38,PC39,PC19,PC22,PU2	10	3A	3B
		11	2B		
		12	2B		
		13	3A	3B	
		14	3A		
		15	3A	3B	
		16	3A	3B	
		17	2A		
		18	2B	3A	
		19	3A	3B	
		20	2B		
	2B	PAGE02. 1. Change R293 to 2.2K for meet Intel Design checklist PAGE03. 1. Change XDP PU/PD resistors value to meet Intel Design checklist PAGE04. 1. Un-stuff C28,C457 PAGE05. 1. Add LVDS VREF strap PAGE06. 1. Add SDVO I2C strap PAGE07. 1. Remove NB resistors to GND PAGE08. 1. Remove DIODE for D27 2. Remove VCCA_DPLLA&B for external VGA PAGE10. 1. Add CRT & LVDS I2C Strap PAGE11. 1. Un-stuff Control Link Vref1 PAGE12. 1. Remove reserve ICH8 HDA 1.5V power rail PAGE13. 1. Modify LCD_VCC enable power rail 2. Add LVDS INV I2C Strap PAGE14. 1. Add EMI solution for debug port PCI clock PAGE15. 1. Change Q33,Q34 to MOSFET PAGE16. 1. Add PIN 59 & 3 PAGE18. 1. Change CN31 pin2 to +3V_S5 for Modem can't wake up from S3 PAGE19. 1. Add GPIO46 , 47 PAGE20~25. 1. Add EMI solution 2. Update Power component P/N	21	3A	
		22	3A		
		23	3A	3B	
		24	3A		
		25	3A	3B	
	3A	PAGE10. 1. Add +2.5V & +1.8V capacitors for nVIDIA MXM card PAGE11. 1. Change C507,C508 to 15pF for RTC PAGE13. 1. Add C609 & C610 to meet CM2009 specification PAGE14. 1. Reserve +5VPCU & Add Q40,R540 for CIR PAGE15. 1. Add C611 for PLC hall IC 2. Stuff R60 for G995 PAGE19. 1. CN44 un-stuff 2. D322,D332 reserve for ESD PAGE21. 1. Modify PC85 value PAGE22. 1. Modify PR4,PC13 value for sequence PAGE23. 1. Add PQ22 for nVIDIA MXM +1.8V PAGE24. 1. Modify PF1 P/N PAGE25. 1. Add PU2 for nVIDIA MXM +2.5V			
	3B	PAGE10. 1. Remove R337 & Add R542,Q41,Q42 for Nvidia ACIN function PAGE13. 1. Add D34-D36,D40 for ESD solution PAGE15. 1. R484,R485,R486 from 330 change to 220 ohm for LED light issue 2. Add D41,D42,D43 for ESD 3. Stuff Q39 PAGE16. 1. Add C621,C622 for EMI solution 2. C112,C119 change to 100pF/50V for EMI PAGE18. 1. Un-stuff L55, stuff U16,R470,R471 for internal Mic. issue PAGE19. 1. Modify D32,D33 package to 0402 for ESD PAGE23. 1. Add PR140,PR141 for +1.8V vltage PAGE25. 1. Stuff PR22,PR101,PQ2,PQ21 for nVIDIA MXM +1.8V & +2.5V Discharge			

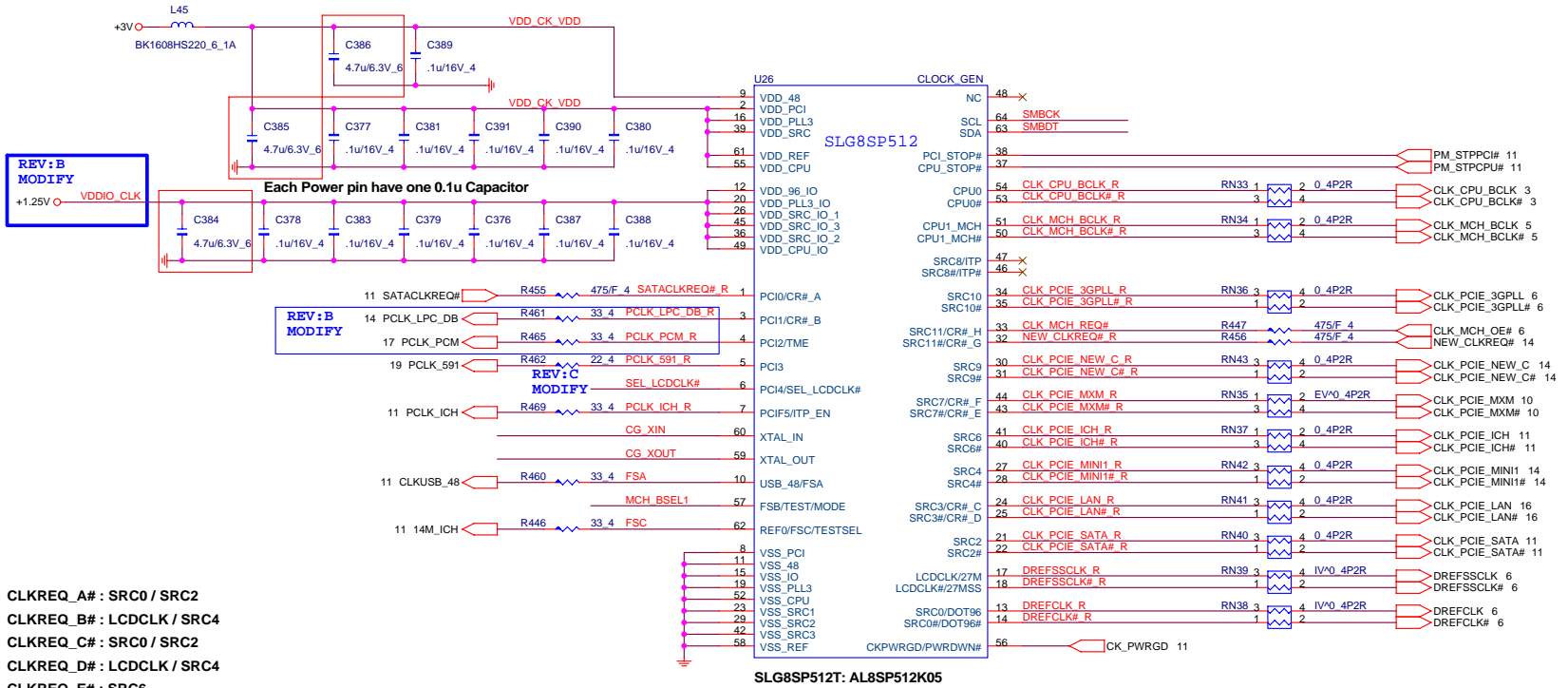


PROJECT : Z01	APPROVE BY: JIM HSU	DRAWING BY:JACKY CHENG	REV 3A
MB ASSY'S P/N : 31Z01MB00XX	PROJECT LEADER: JIM HSU	DOCUMENT NO: 204	DATE :2007/04/14

Z01 SYSTEM BLOCK DIAGRAM



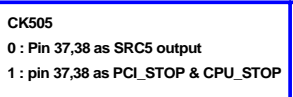
Clock Generator



- CLKREQ_A#: SRC0 / SRC2
- CLKREQ_B#: LCDCLK / SRC4
- CLKREQ_C#: SRC0 / SRC2
- CLKREQ_D#: LCDCLK / SRC4
- CLKREQ_E#: SRC6
- CLKREQ_F#: SRC8
- CLKREQ_G#: SRC9
- CLKREQ_H#: SRC10

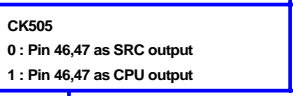
REV: B MODIFY

REV: C MODIFY



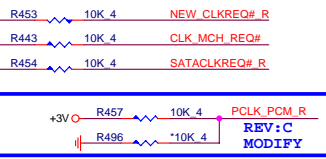
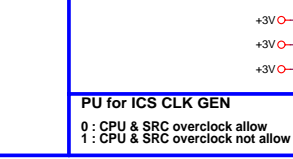
CK505
 0 : Pin 37,38 as SRC5 output
 1 : pin 37,38 as PCI_STOP & CPU_STOP

SILEGO
 0 : Pin 13,14 & 17,18 for Internal VGA
 1 : 27M & 27M_SS & SRC0 for external VGA



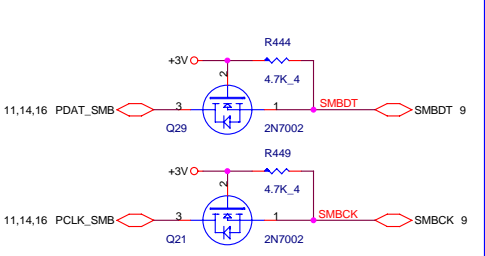
CK505
 0 : Pin 46,47 as SRC output
 1 : Pin 46,47 as CPU output

SILEGO
 0 : Pin 46,47 as SRC output
 1 : Pin 46,47 as CPU output

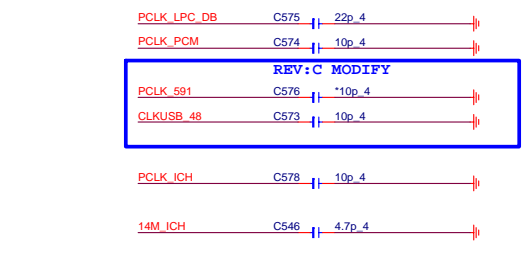


PU for ICS CLK GEN
 0 : CPU & SRC overclock allow
 1 : CPU & SRC overclock not allow

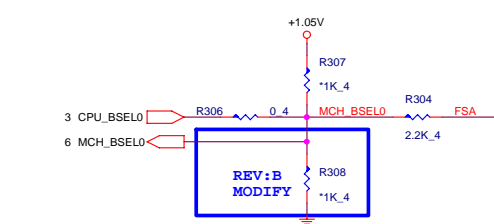
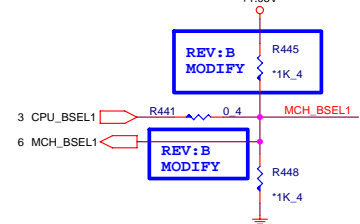
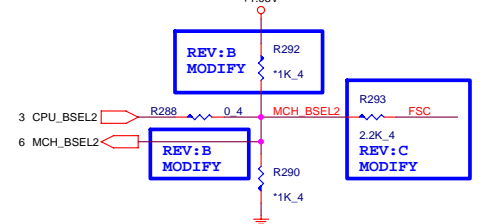
Clock Gen I2C



Reserved for EMI




CPU Clock select



BSEL Frequency Select Table

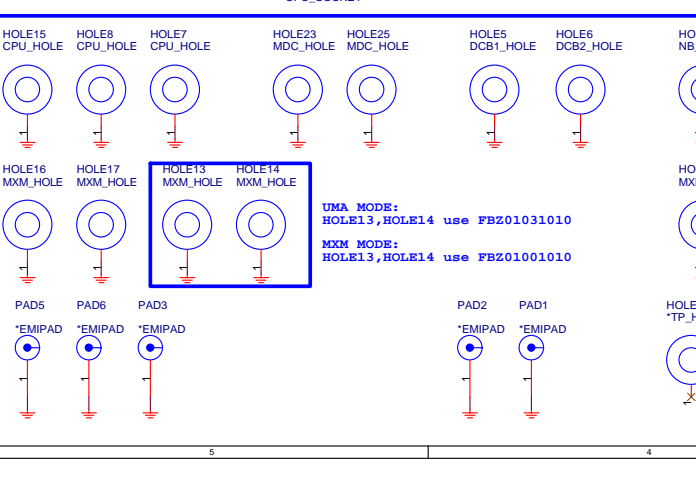
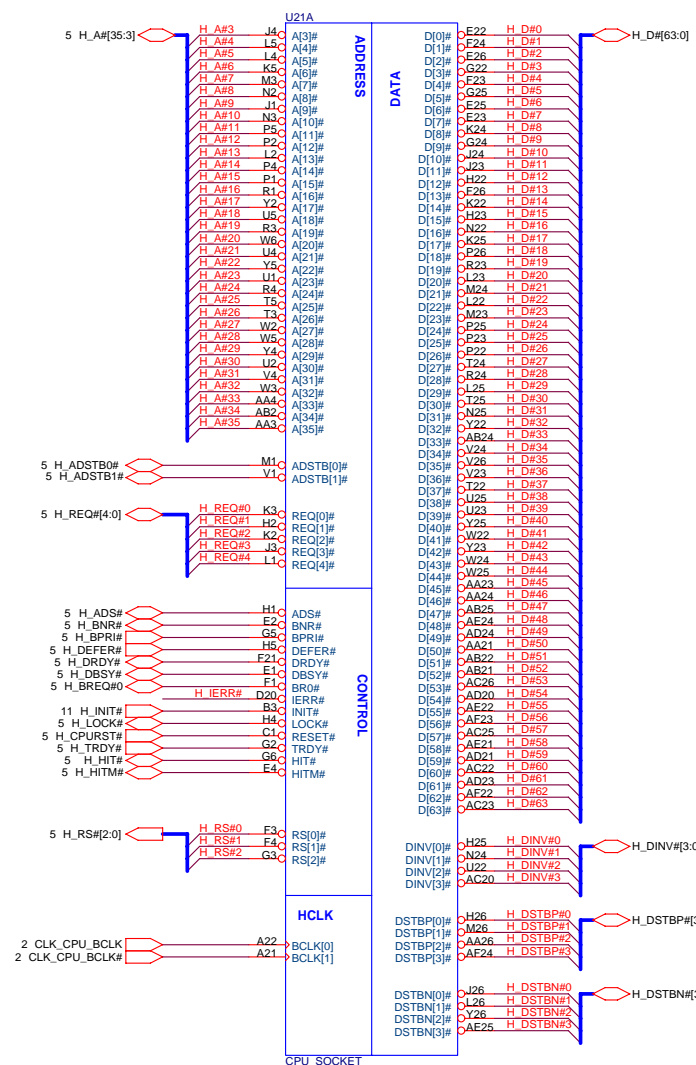
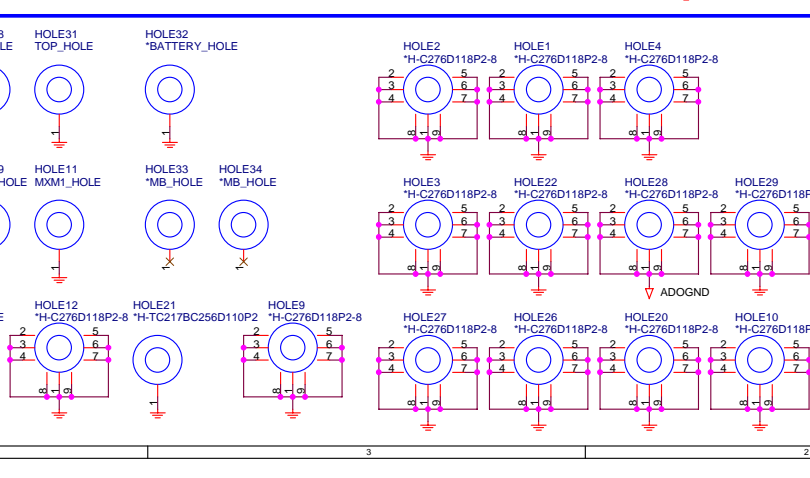
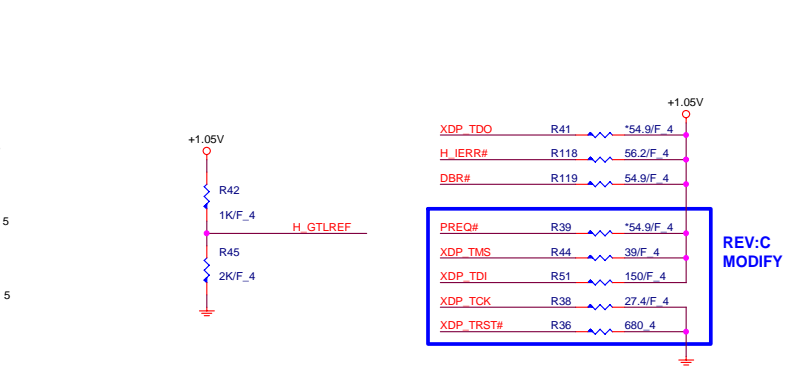
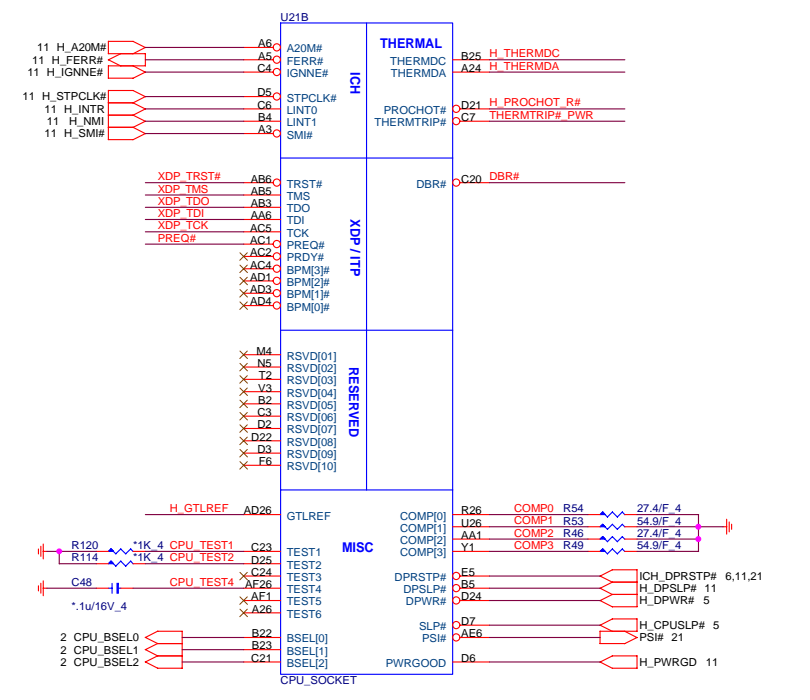
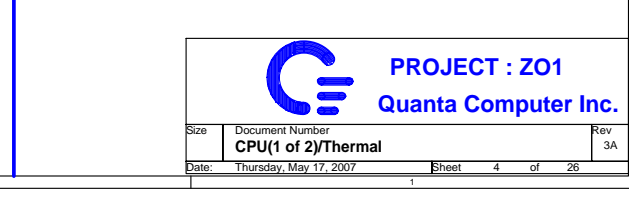
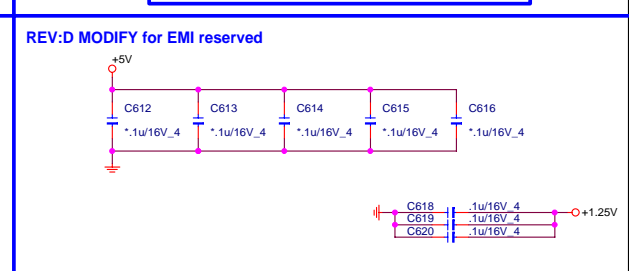
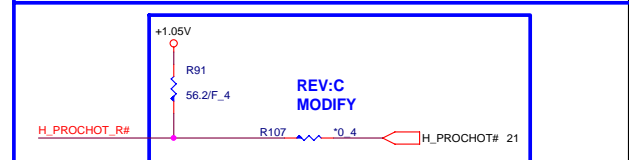
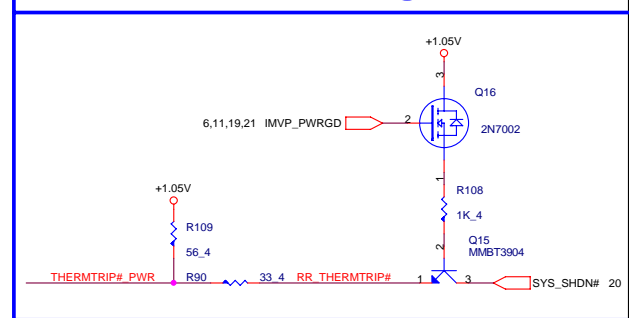
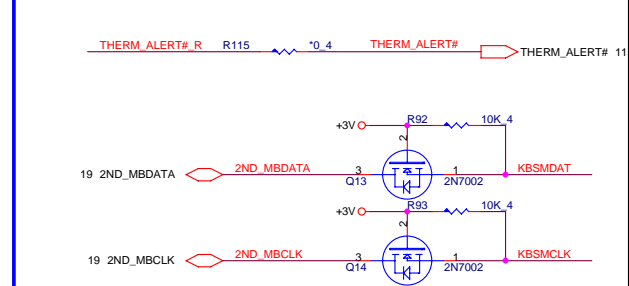
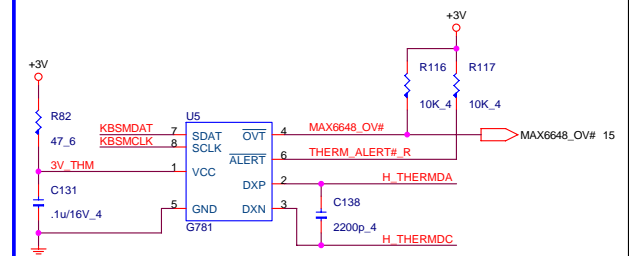
FSC	F5B	F5A	Frequency
0	0	0	266Mhz
0	0	1	133Mhz
0	1	0	200Mhz
0	1	1	166Mhz
1	0	0	333Mhz
1	0	1	100Mhz
1	1	0	400Mhz
1	1	1	Reserved



PROJECT : ZO1
Quanta Computer Inc.

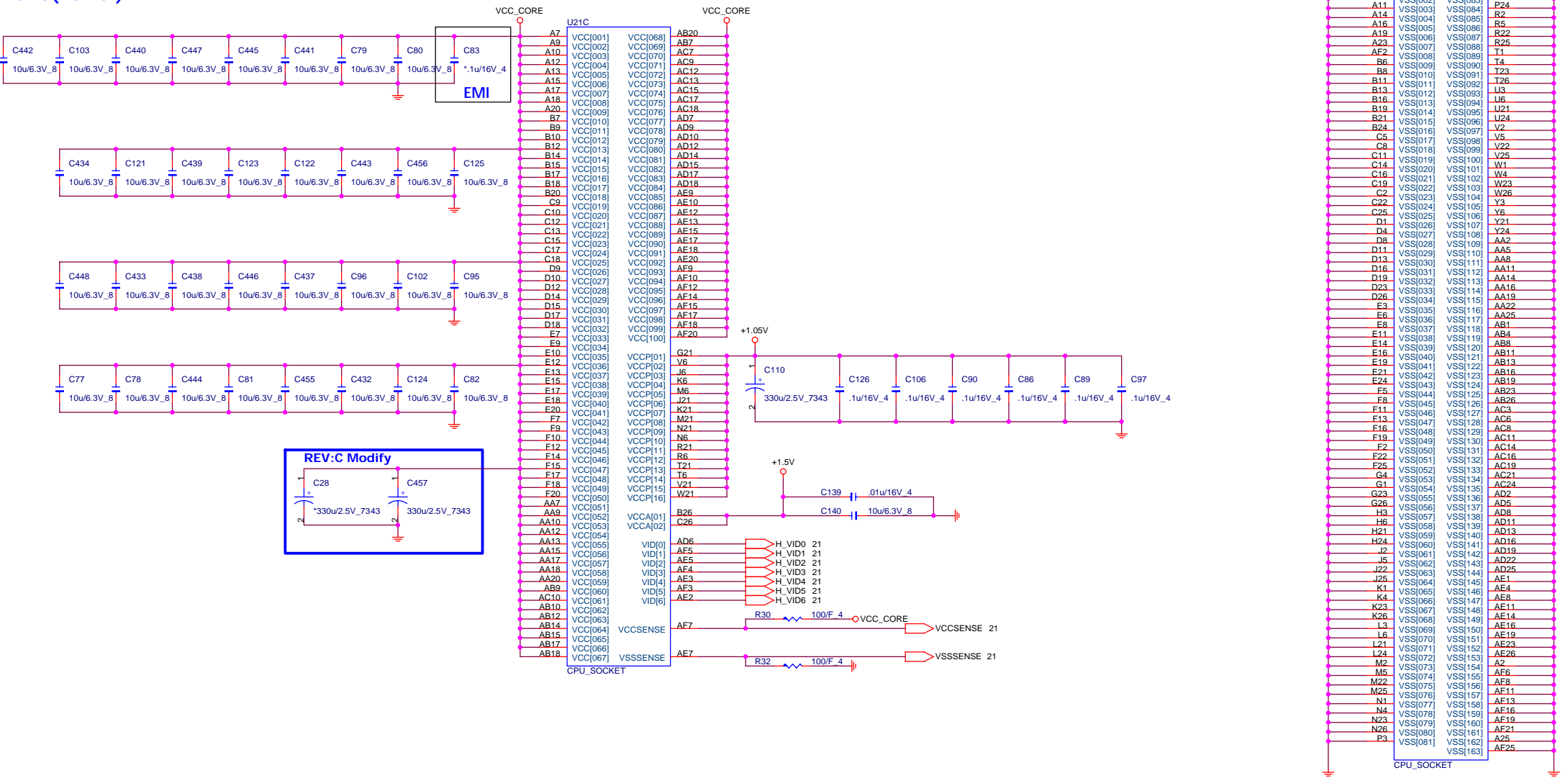
Size	Document Number	Rev
	CLOCK GENERATOR CK505 W/REGULATOR	2B
Date:	Thursday, May 17, 2007	Sheet 3 of 26


SMBUS Address : 98



UMA MODE:
 HOLE13, HOLE14 use FBZ01031010
 MXM MODE:
 HOLE13, HOLE14 use FBZ01001010

CPU(Power)

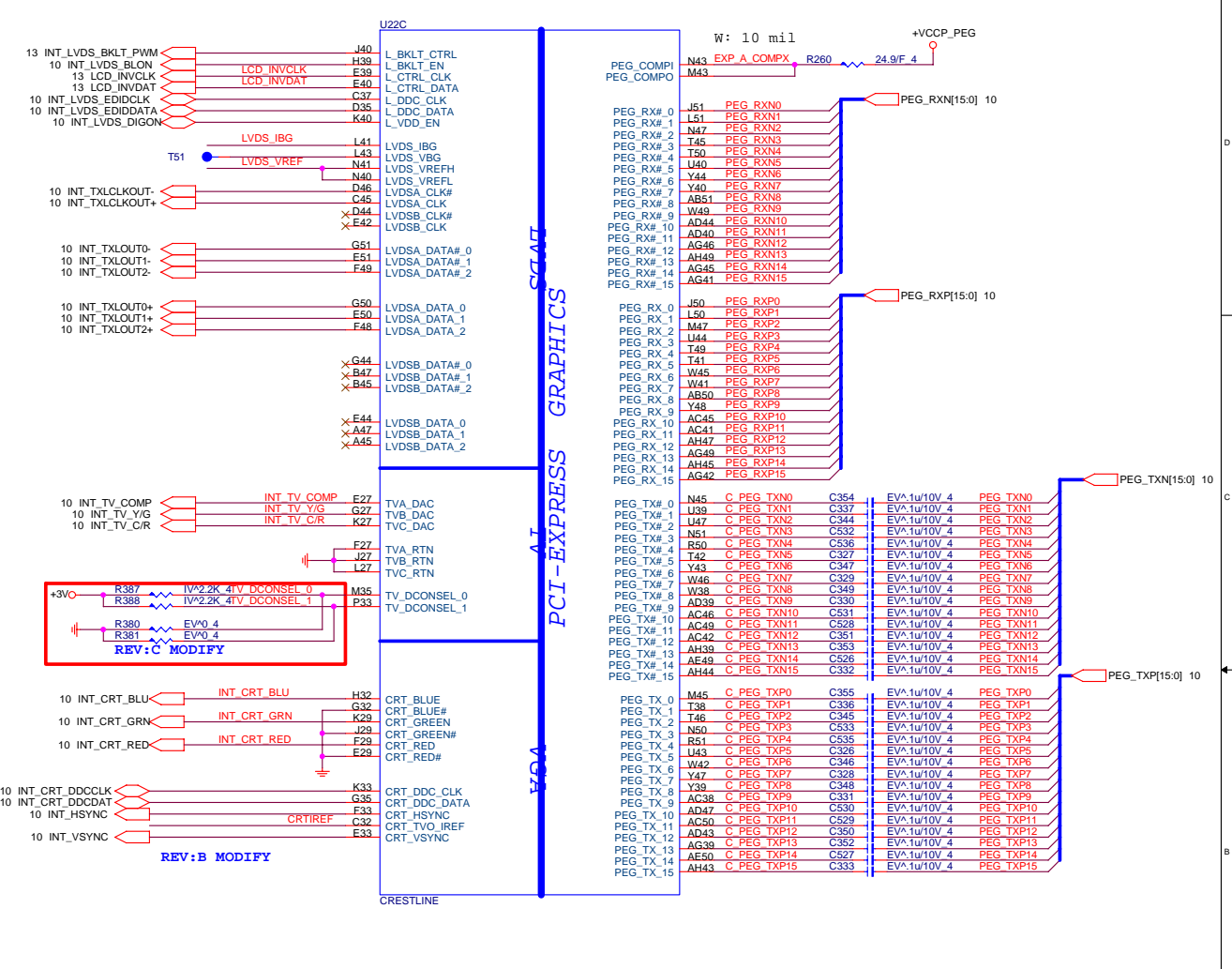
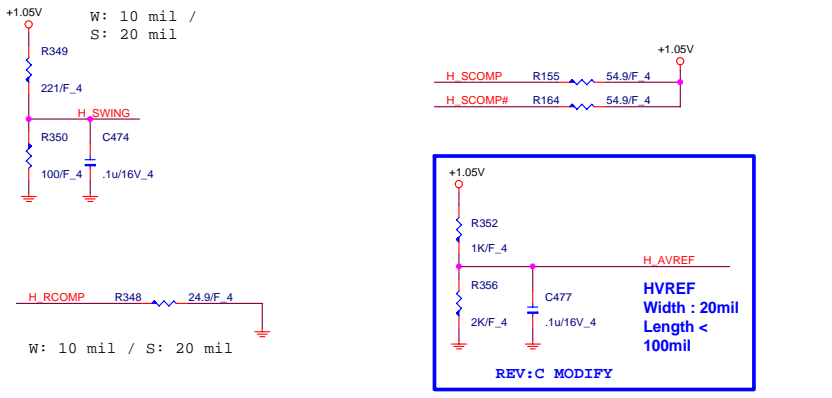
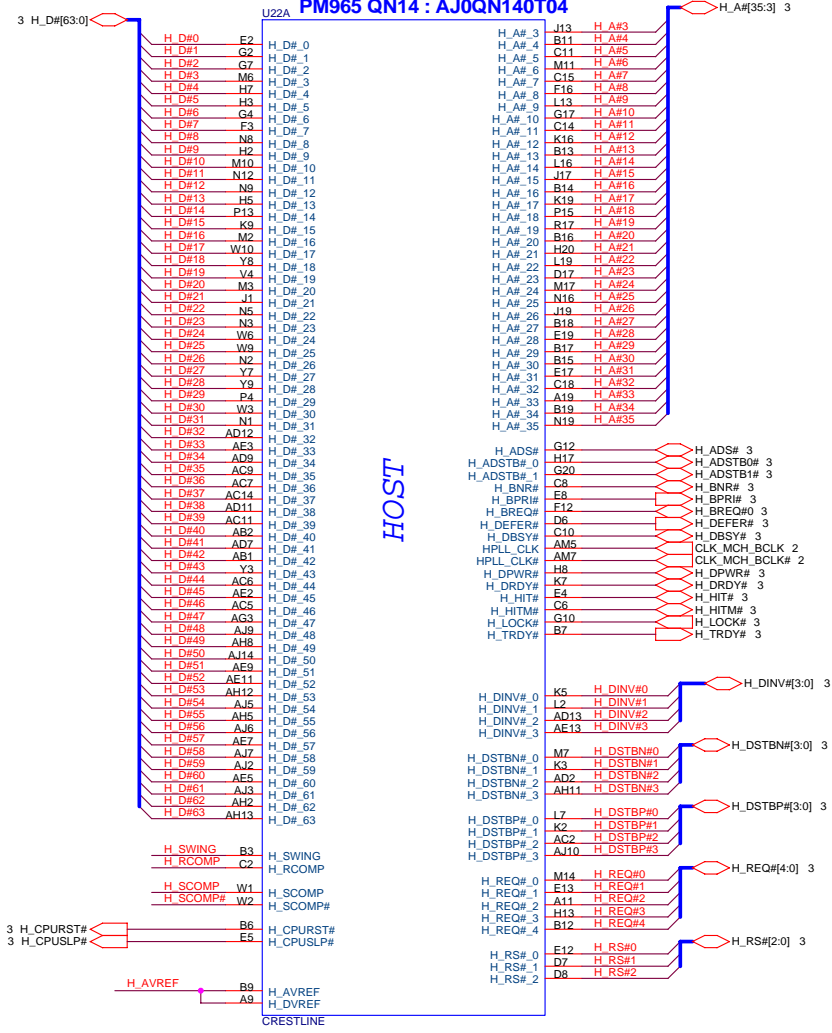




PROJECT : Z01
Quanta Computer Inc.

Size	Document Number	Rev
	CPU(2 of 2)Power	2B
Date:	Thursday, May 17, 2007	Sheet 5 of 26

GM965 QN12 : AJ0QN120T04
PM965 QN14 : AJ0QN140T04



<check list>
For EV@
Connect to GND
CRT R/G/B
TV A/B/C
HSYNC/VSNC

<check list>
For IV@
Connect to 150ohm:
CRT R/G/B
TV A/B/C
Connect to 30ohm:
HSYNC/VSNC

OOHM (PD) FOR EV (TV)

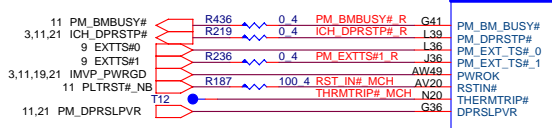
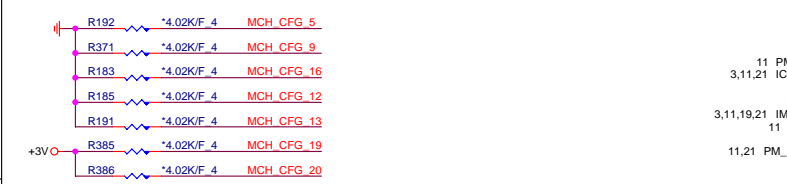
OOHM (PD) FOR EV (RGB)

<check list & CRB> REV: C MODIFY
For Calero : 1.5K
For Cresline:2.4K

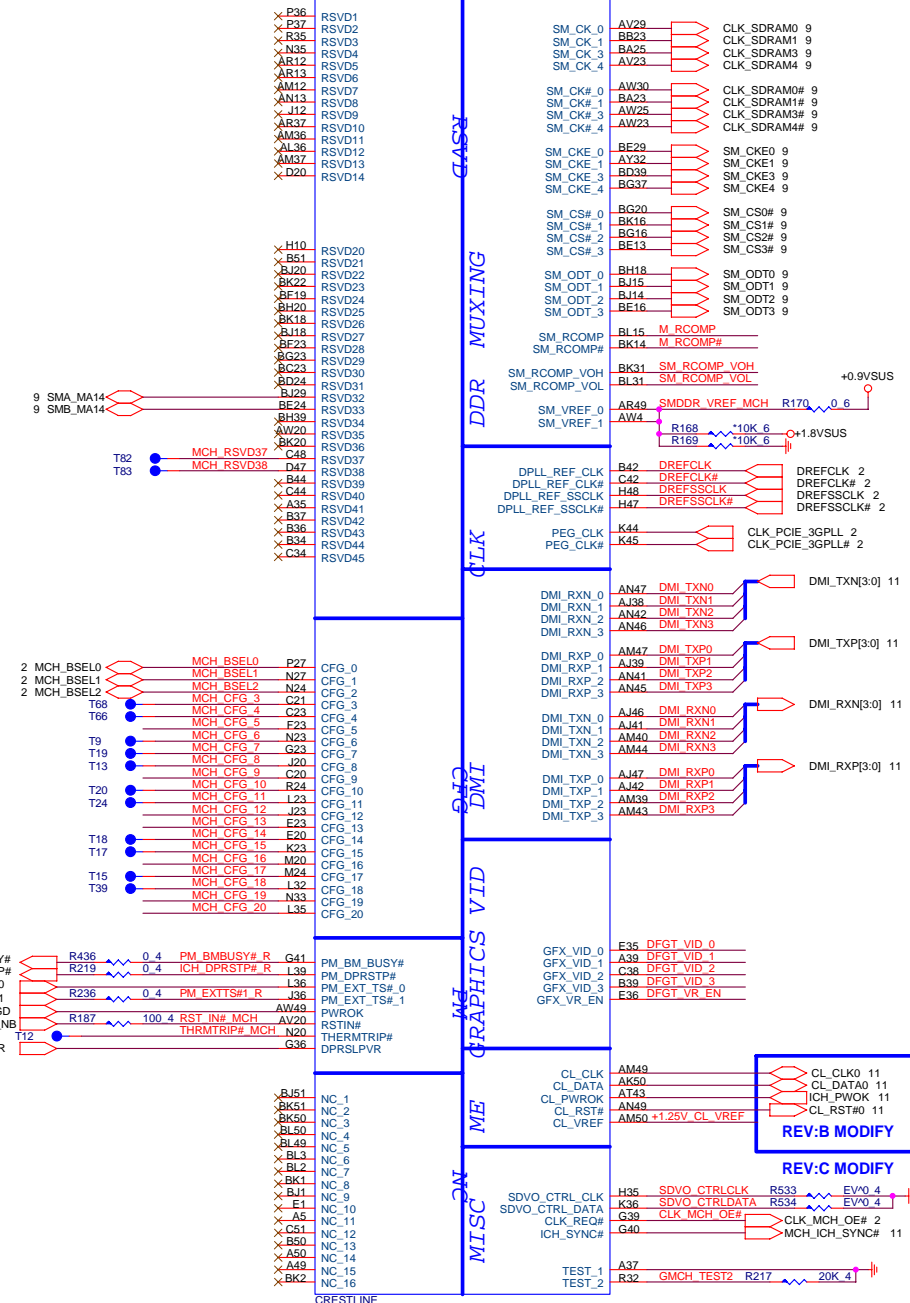
IV&EV Dis/Enable setting
<check list & CRB>
For Calero : 255 <-FAE>
For Cresline:1.3K/F
For external VGA.0

All strap are sampled with respect to the leading edge of the GMCH PWROK signal
 CFG[17:3] Have internal Pull-up
 CFG[18:19] Have internal Pull-down
 Any CFG signal strapping option not list below should be left NC Pin

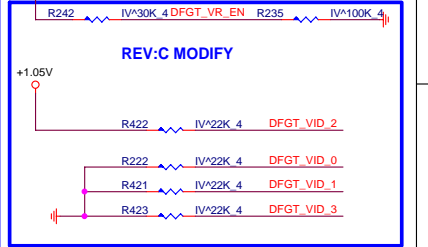
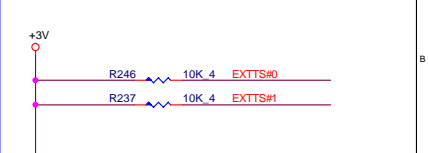
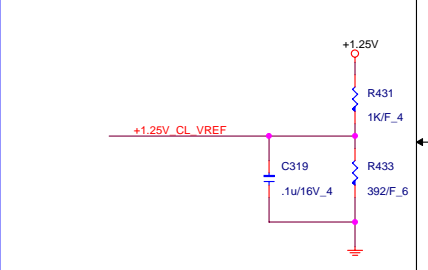
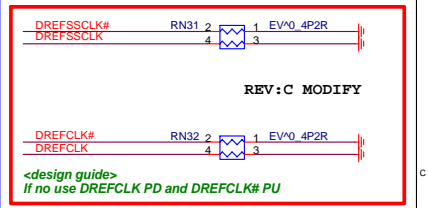
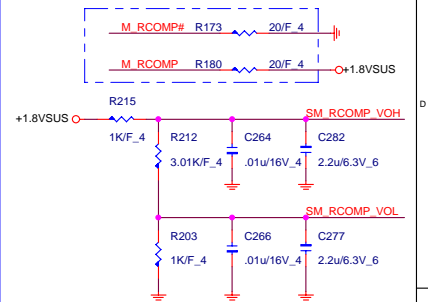
CFG[2:0]	FSB Frequency Select	001 = FSB 533 MHz 010 = FSB 800 MHz 011 = FSB 667 MHz
CFG[4:3]	Reserved	
CFG5	DMI X2 Select	0 = DMI X2 1 = DMI X4(Default)
CFG6	Reserved	
CFG7	CPU Strap	0 = Reserved 1 = Mobile CPU(Default)
CFG8	Low power PCI Express	0 = Normal mode 1 = Low Power mode
CFG9	PCI Express Graphics Lane Reversal	0 = Reverse Lanes 1 = Normal operation(Default)
CFG[11:10]	Reserved	
CFG[13:12]	XOR/ALLZ	00 = Reserved 01 = XOR Mode Enable 10 = All-Z Mode Enabled 11 = Normal operation(Default)
CFG[15:14]	Reserved	
CFG16	FSB Dynamic ODT	0 = Dynamic ODT disable 1 = Dynamic ODT Enable(Default)
CFG[18:17]	Reserved	
CFG18	VCC select	0 = 1.05V (Default) 1 = 1.5V
SDVO_CTRLDATA	SDVO Present	0 = No SDVO Card present(Default) 1 = SDVO Card Present
CFG19	DMI Lane Reversal	0 = Normal operation(Default) 1 = Reverse Lanes
CFG20	SDVO/PCIE concurrent	0 = Only SDVO or PCIE x1 is operation(Default) 1 = SDVO and PCIE x1 are operating simultaneously via the PEG port



GM965 QN12 : AJQNN120T4
 PM965 QN14 : AJQNN140T04



Width : 20mil
 Length < 500mil
 <check list & CRB>
 R Value select
 For Calero : 80.6ohm
 For Crestline:200ohm
 But check list use 80.6ohm

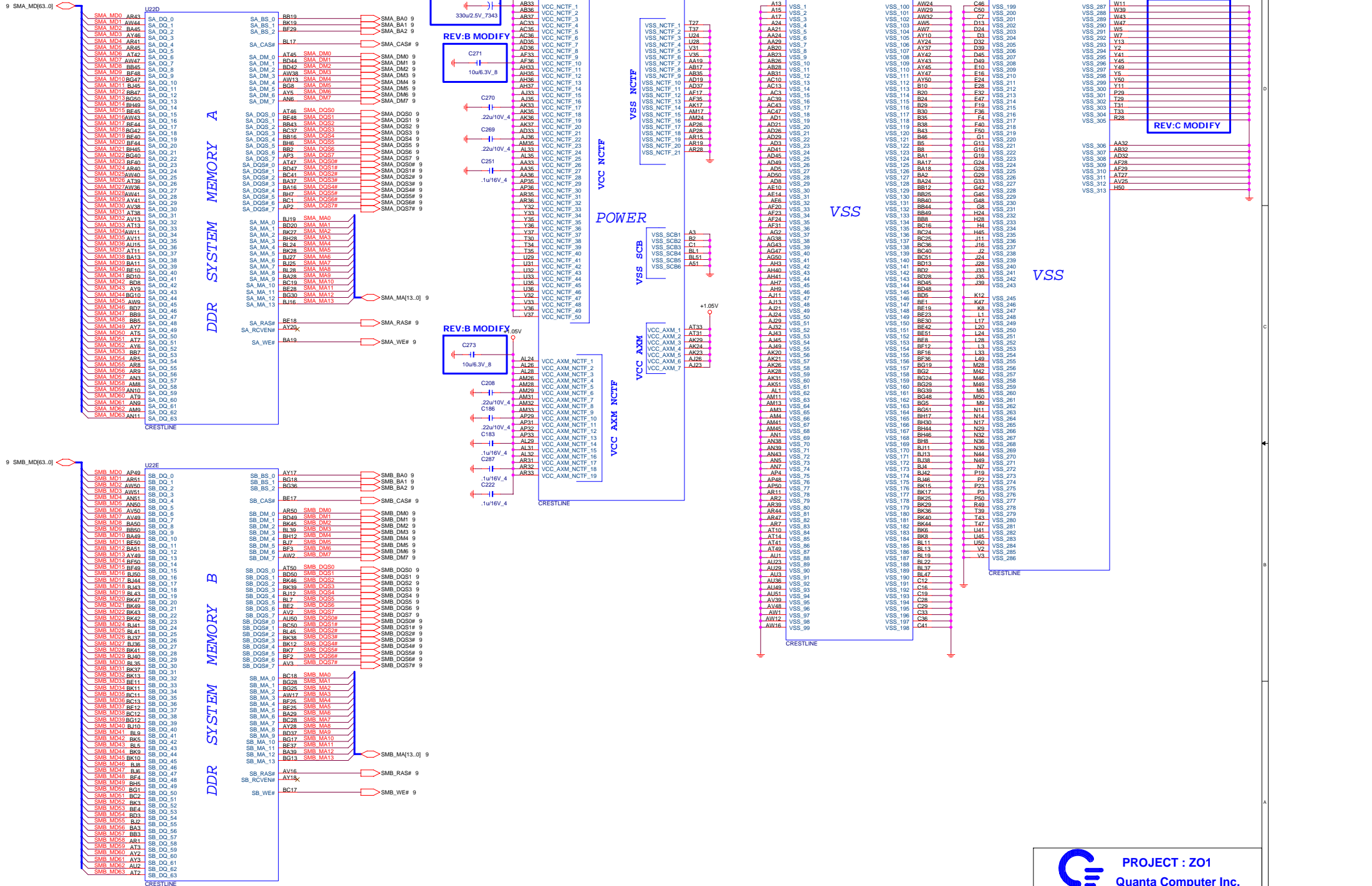


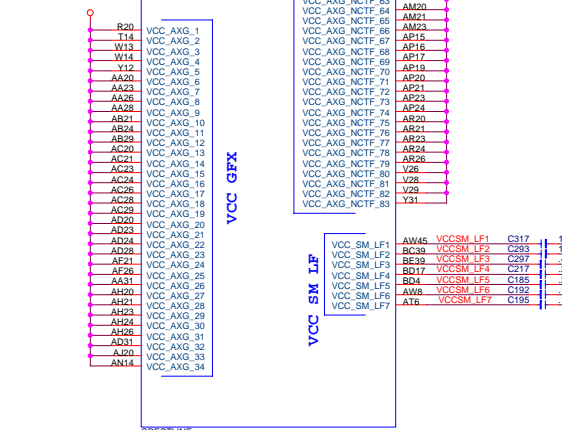
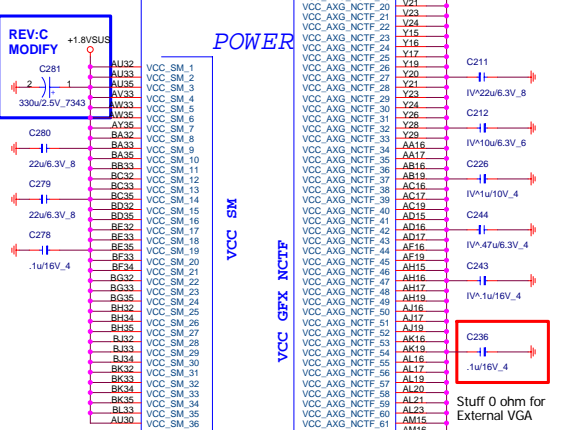
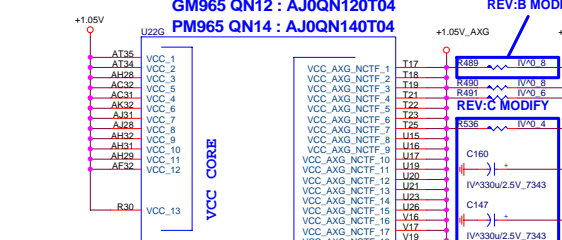
PROJECT : ZO1
Quanta Computer Inc.

Size Document Number Rev 2B
GMCH DMI & STRAP

Date: Thursday, May 17, 2007 Sheet 7 of 26

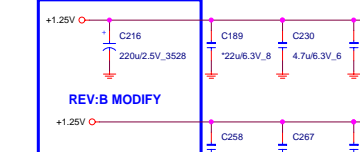
GM965 QN12 : AJQ0N120T04
PM965 QN14 : AJQ0N140T04



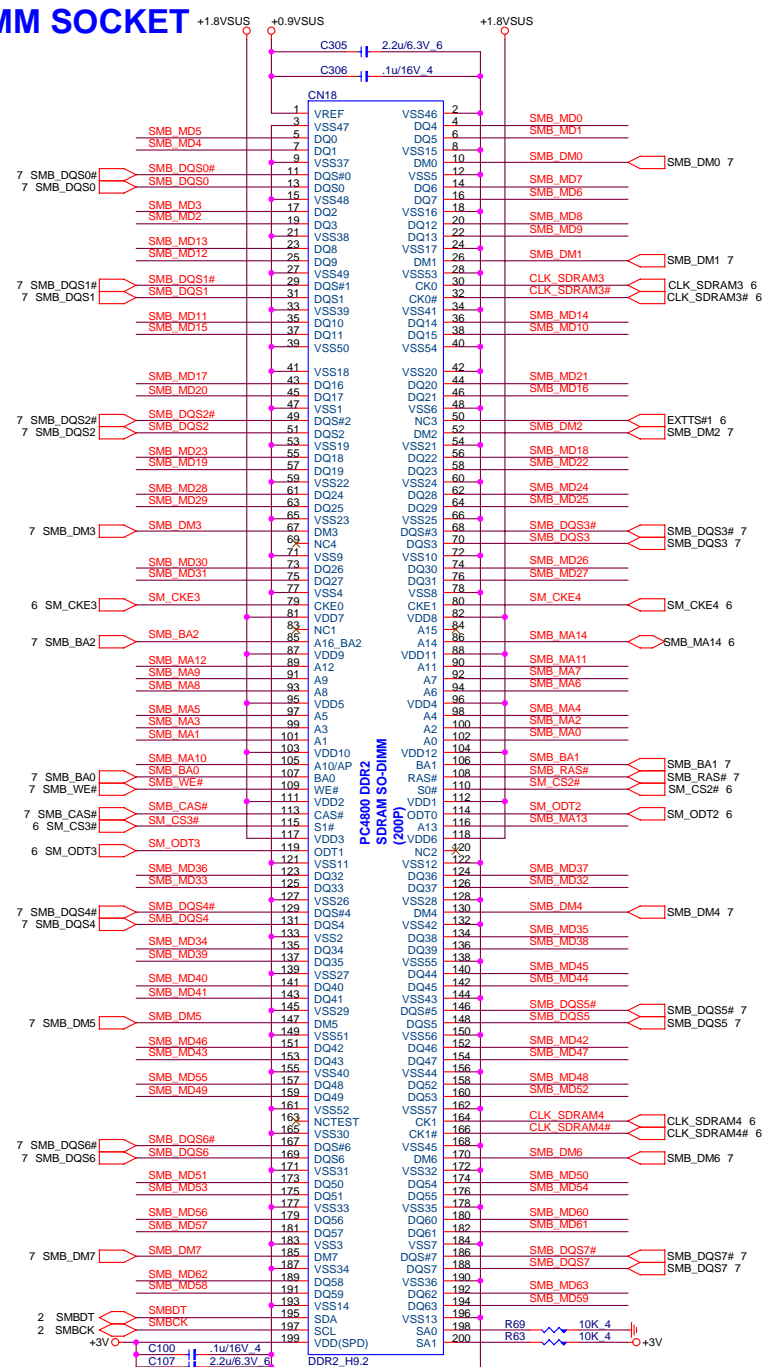
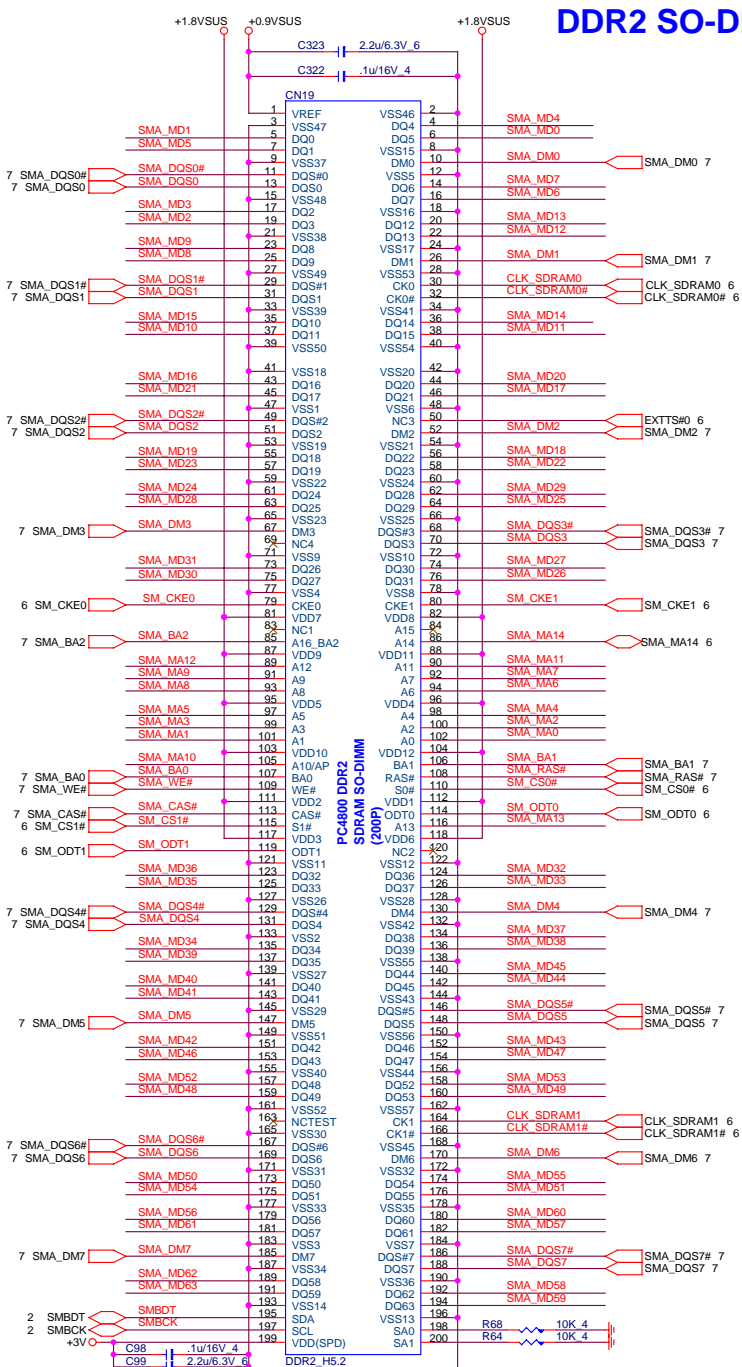


Ball	Enable	Disable	Ball	Enable	Disable
VCCA_CRT	3.3V	GND	VCCA_C_TVO	3.3V	GND
VCCD_CRT	1.5V	GND	VCCD_TVO	1.5V	1.5V
VCCDO_CRT	1.5V	GND	VCCABG_DAC	3.3V	GND
VCCA_A_TVOB3.3V	GND	GND	VSSABG_DAC	GND	GND
VCCA_B_TVOB3.3V	GND	GND	VCC_SYNC	3.3V	GND

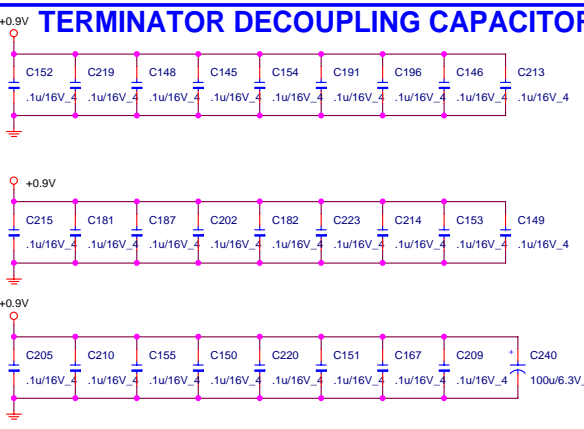
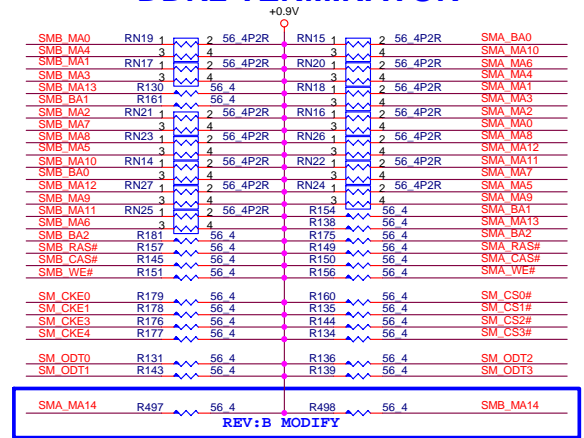
CRT/TV Disable/Enable guideline
External VGA with EV@part, Internal VGA with IV@ part

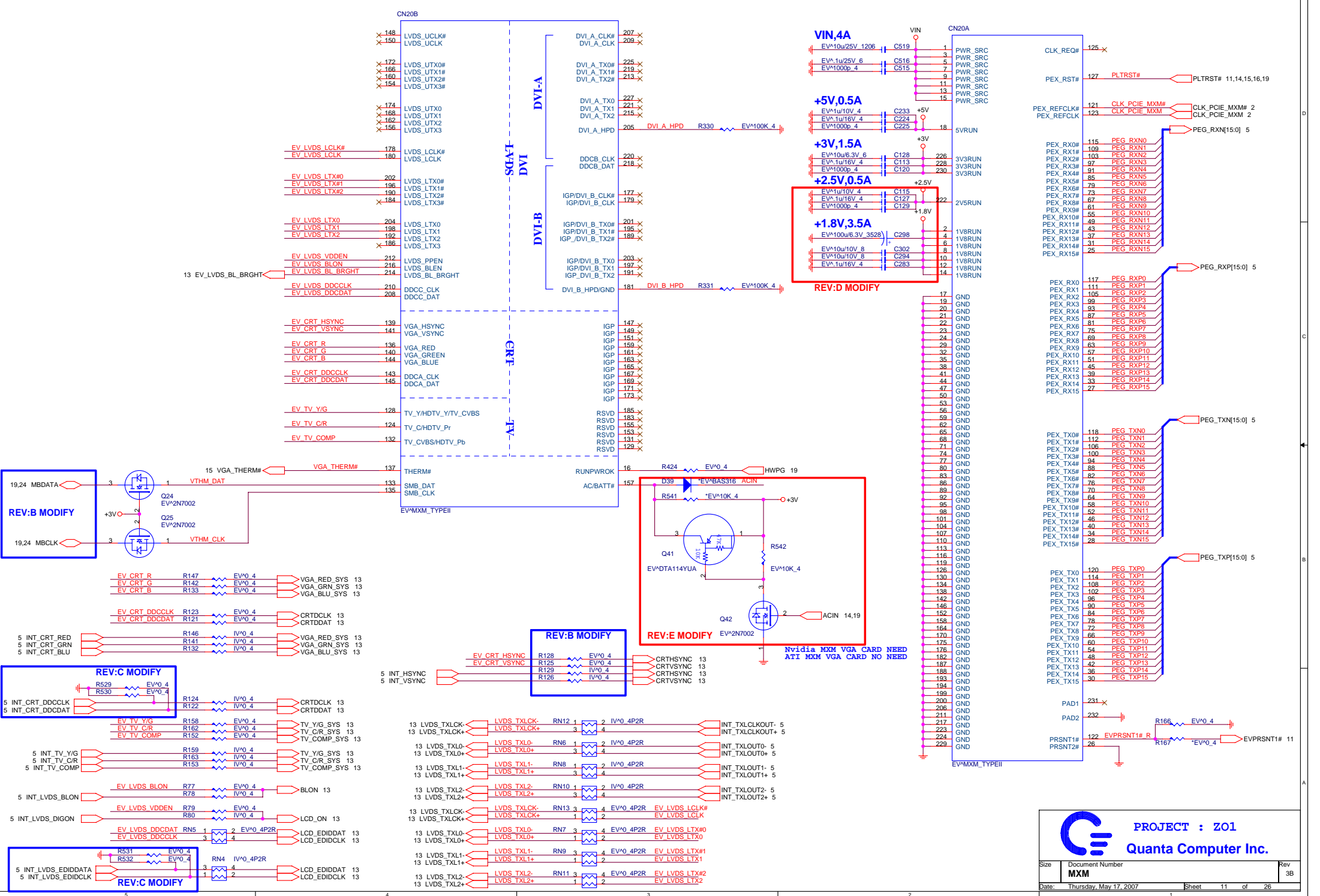


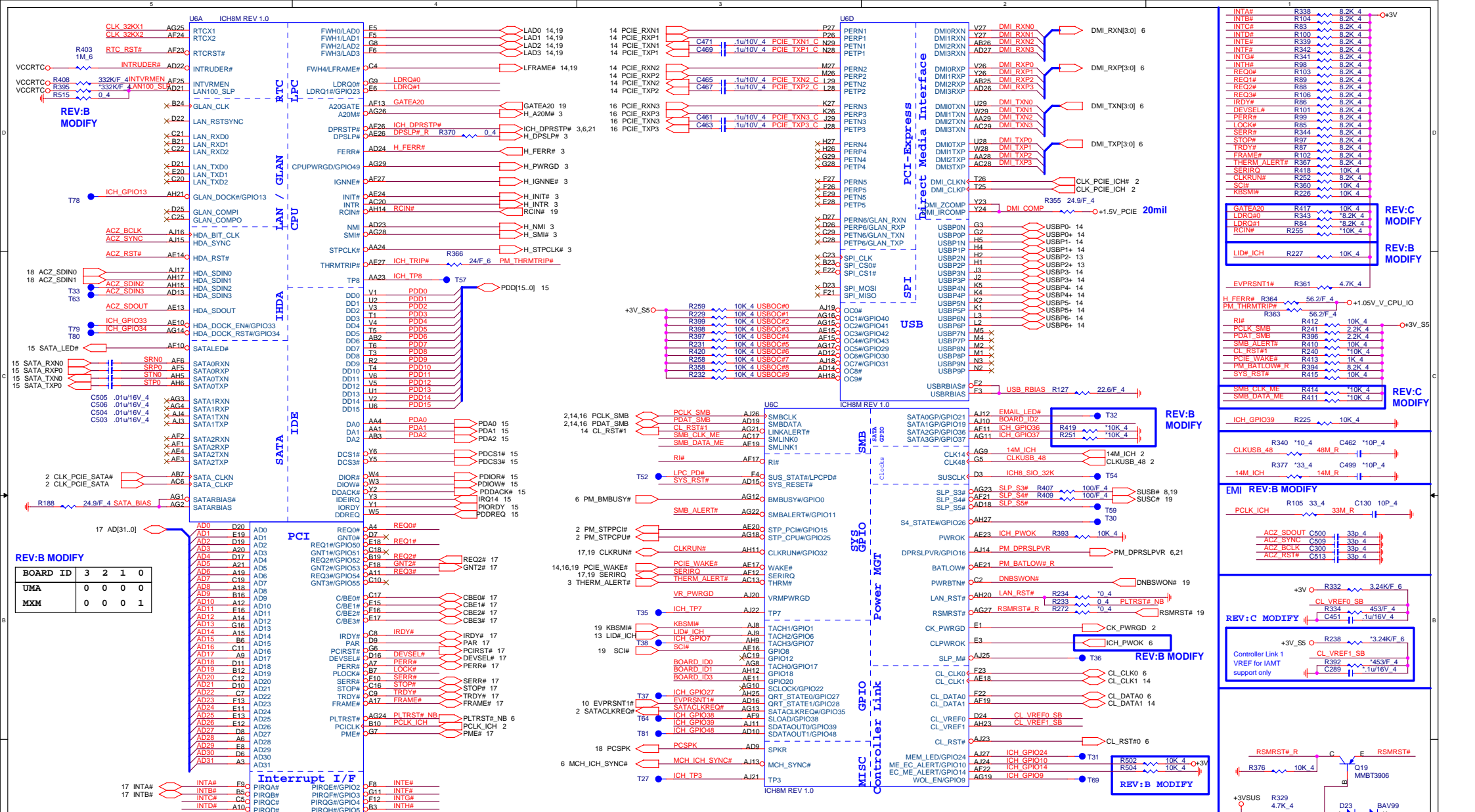
DDR2 SO-DIMM SOCKET



DDR2 TERMINATOR







REV:B MODIFY

REV:C MODIFY

REV:B MODIFY

BOARD ID	3	2	1	0
UMA	0	0	0	0
MXM	0	0	0	1

REV:D Modify

HDA

Interrupt I/F

REV:B MODIFY

REV:C MODIFY

REV:D Modify

REV:E Modify

REV:F Modify

REV:G Modify

REV:H Modify

REV:I Modify

REV:J Modify

REV:K Modify

REV:L Modify

REV:M Modify

REV:N Modify

REV:O Modify

REV:P Modify

REV:Q Modify

REV:R Modify

REV:S Modify

REV:T Modify

REV:U Modify

REV:V Modify

REV:W Modify

REV:X Modify

REV:Y Modify

REV:Z Modify

REV:AA Modify

REV:AB Modify

REV:AC Modify

REV:AD Modify

REV:AE Modify

REV:AF Modify

REV:AG Modify

REV:AH Modify

REV:AI Modify

REV:AJ Modify

REV:AK Modify

REV:AL Modify

REV:AM Modify

REV:AN Modify

REV:AQ Modify

REV:AR Modify

REV:AS Modify

REV:AT Modify

REV:AU Modify

REV:AV Modify

REV:AW Modify

REV:AX Modify

REV:AY Modify

REV:AZ Modify

REV:BA Modify

REV:BB Modify

REV:BC Modify

REV:BD Modify

REV:BE Modify

REV:BF Modify

REV:BG Modify

REV:BH Modify

REV:BI Modify

REV:BJ Modify

REV:BK Modify

REV:BL Modify

REV:BM Modify

REV:BN Modify

REV:BO Modify

REV:BP Modify

REV:BQ Modify

REV:BR Modify

REV:BS Modify

REV:BT Modify

REV:BU Modify

REV:BV Modify

REV:BW Modify

REV:BX Modify

REV:BY Modify

REV:BZ Modify

REV:CA Modify

REV:CB Modify

REV:CC Modify

REV:CD Modify

REV:CE Modify

REV:CF Modify

REV:CG Modify

REV:CH Modify

REV:CI Modify

REV:CJ Modify

REV:CK Modify

REV:CL Modify

REV:CM Modify

REV:CN Modify

REV:CO Modify

REV:CP Modify

REV:CQ Modify

REV:CR Modify

REV:CS Modify

REV:CT Modify

REV:CU Modify

REV:CV Modify

REV:CW Modify

REV:CX Modify

REV:CY Modify

REV:CZ Modify

REV:DA Modify

REV:DB Modify

REV:DC Modify

REV:DD Modify

REV:DE Modify

REV:DF Modify

REV:DG Modify

REV:DH Modify

REV:DI Modify

REV:DJ Modify

REV:DK Modify

REV:DL Modify

REV:DM Modify

REV:DN Modify

REV:DO Modify

REV:DP Modify

REV:DQ Modify

REV:DR Modify

REV:DS Modify

REV:DT Modify

REV:DU Modify

REV:DV Modify

REV:DW Modify

REV:DX Modify

REV:DY Modify

REV:DZ Modify

REV:EA Modify

REV:EB Modify

REV:EC Modify

REV:ED Modify

REV:EE Modify

REV:EF Modify

REV:EG Modify

REV:EH Modify

REV:EI Modify

REV:EJ Modify

REV:EK Modify

REV:EL Modify

REV:EM Modify

REV:EN Modify

REV:EO Modify

REV:EP Modify

REV:EQ Modify

REV:ER Modify

REV:ES Modify

REV:ET Modify

REV:EU Modify

REV:EV Modify

REV:EW Modify

REV:EX Modify

REV:EY Modify

REV:EZ Modify

REV:FA Modify

REV:FB Modify

REV:FC Modify

REV:FD Modify

REV:FE Modify

REV:FF Modify

REV:FG Modify

REV:FH Modify

REV:FI Modify

REV:FJ Modify

REV:FK Modify

REV:FL Modify

REV:FM Modify

REV:FN Modify

REV:FO Modify

REV:FP Modify

REV:FQ Modify

REV:FR Modify

REV:FS Modify

REV:FT Modify

REV:FU Modify

REV:FV Modify

REV:FW Modify

REV:FX Modify

REV:FY Modify

REV:FZ Modify

REV:GA Modify

REV:GB Modify

REV:GC Modify

REV:GD Modify

REV:GE Modify

REV:GF Modify

REV:GH Modify

REV:GI Modify

REV:GJ Modify

REV:GK Modify

REV:GL Modify

REV:GM Modify

REV:GN Modify

REV:GO Modify

REV:GP Modify

REV:GQ Modify

REV:GR Modify

REV:GS Modify

REV:GT Modify

REV:GU Modify

REV:GV Modify

REV:GW Modify

REV:GX Modify

REV:GY Modify

REV:GZ Modify

REV:HA Modify

REV:HB Modify

REV:HC Modify

REV:HD Modify

REV:HE Modify

REV:HF Modify

REV:HG Modify

REV:HH Modify

REV:HI Modify

REV:HJ Modify

REV:HK Modify

REV:HL Modify

REV:HM Modify

REV:HN Modify

REV:HO Modify

REV:HP Modify

REV:HQ Modify

REV:HR Modify

REV:HS Modify

REV:HT Modify

REV:HU Modify

REV:HV Modify

REV:HW Modify

REV:HX Modify

REV:HY Modify

REV:HZ Modify

REV:IA Modify

REV:IB Modify

REV:IC Modify

REV:ID Modify

REV:IE Modify

REV:IF Modify

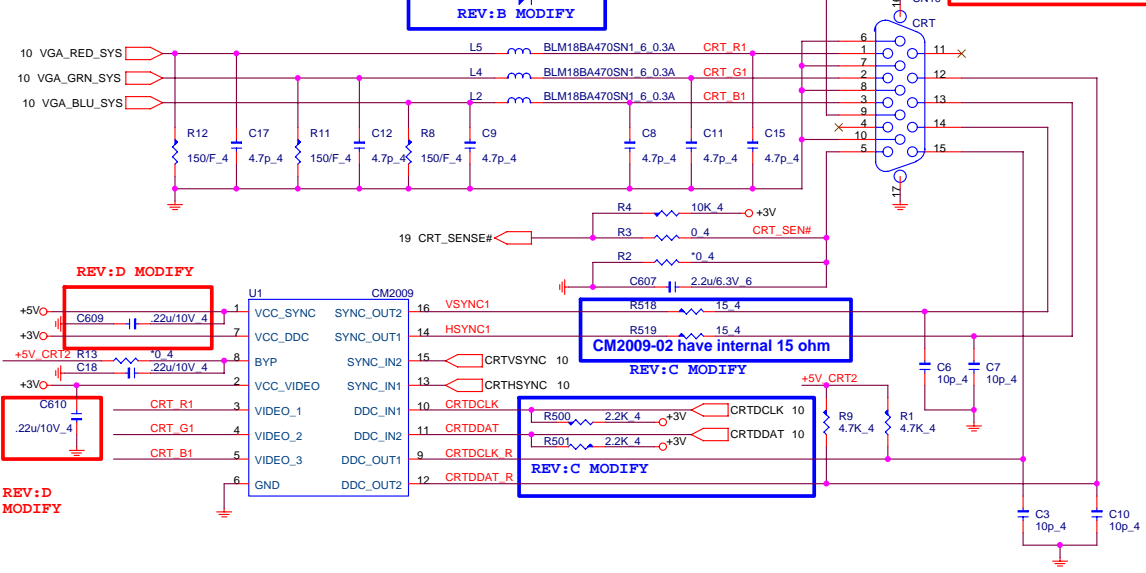
REV:IG Modify

REV:IH Modify

CRT

UMA mode
 1. C8,9,11,12,15,17 use 4.7pF CH-4716TB06
 2. L2,L4,L5 use CX8BA470003

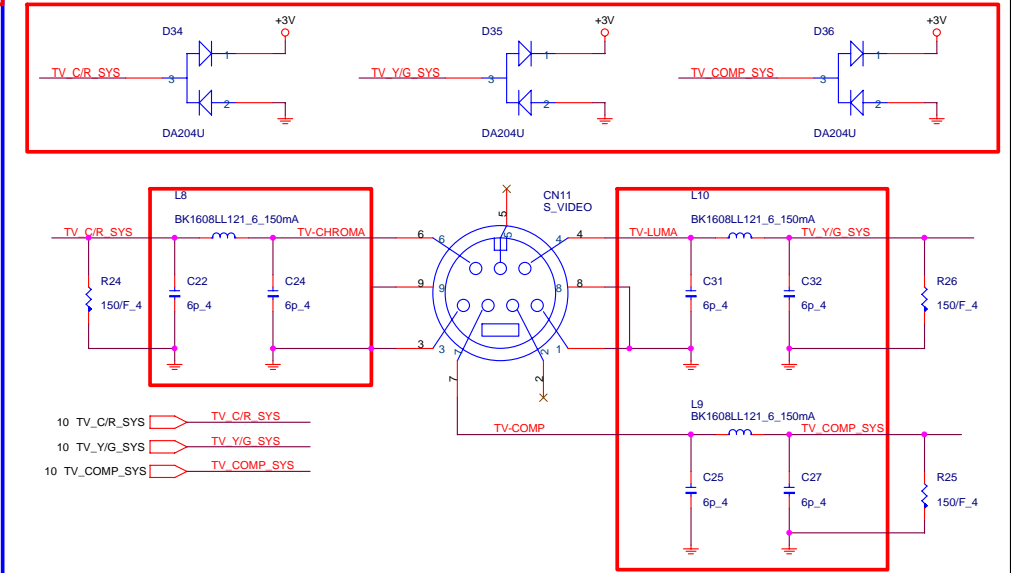
MXM mode
 1. C8,9,11,12,15,17 use 10pF CH01006JB08
 2. L2,L4,L5 use CX8BA220007



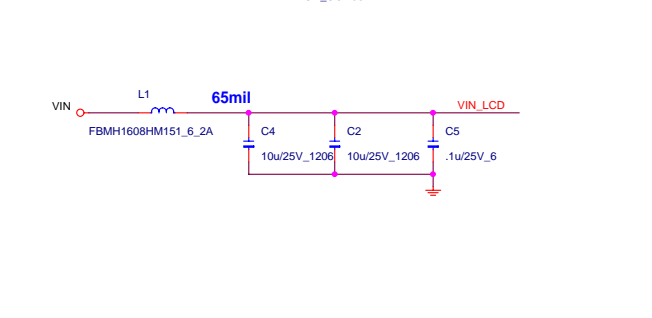
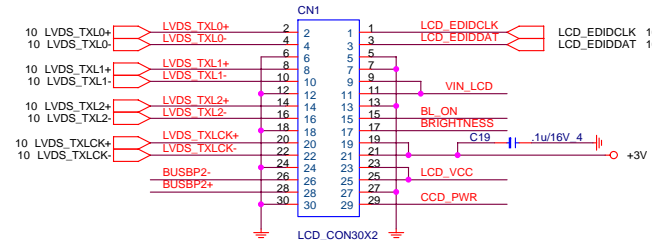
S-VIDEO

UMA mode
 1. C22,C24,C25,C27,C31,C32 use 6pF CH00606TB04
 2. L8,L9,L10 use CX8LL121002

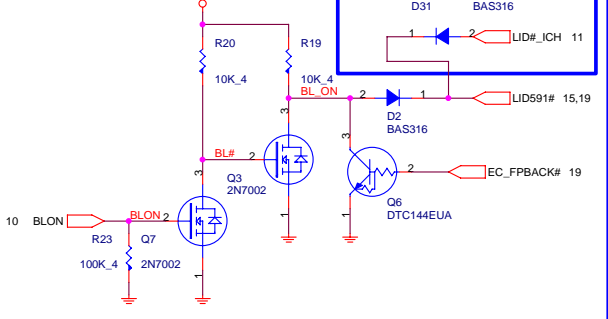
MXM mode
 1. C22,C24,C25,C27,C31,C32 use 47pF CH04706JB01
 2. L8,L9,L10 use CV+4701JN00



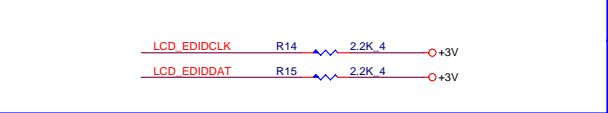
LVDS



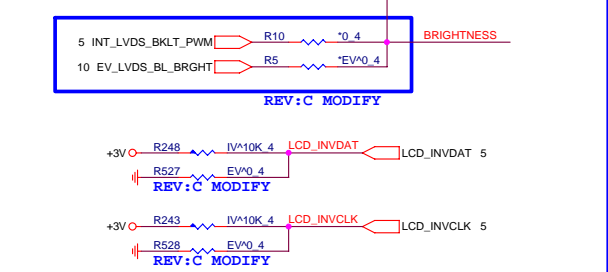
Backlight Control



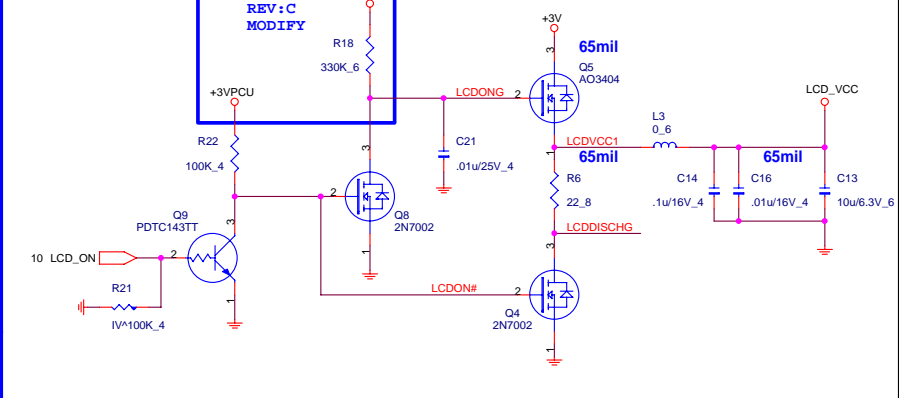
LCD EDID SMBus Pu



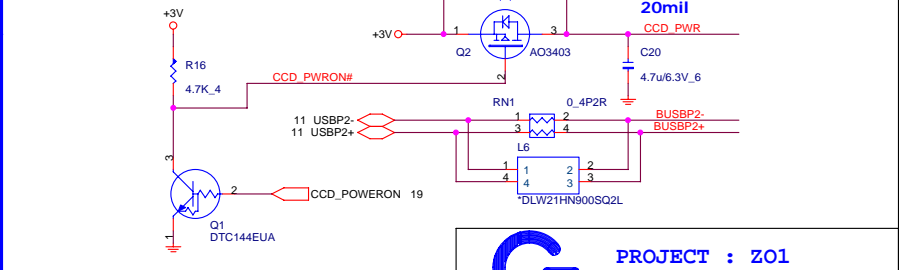
DPST



LCD_ON



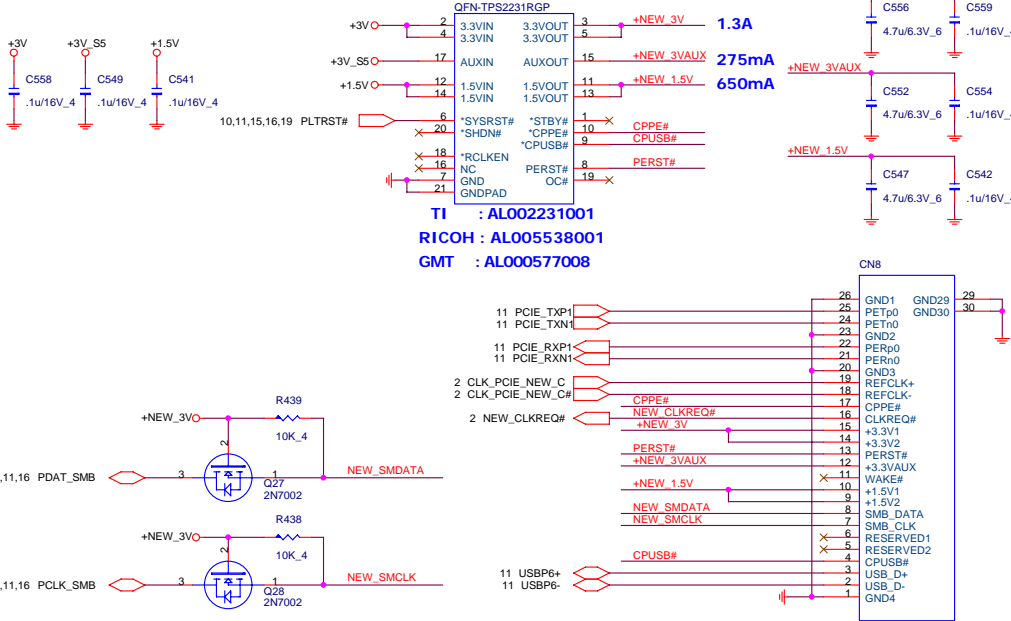
Camera



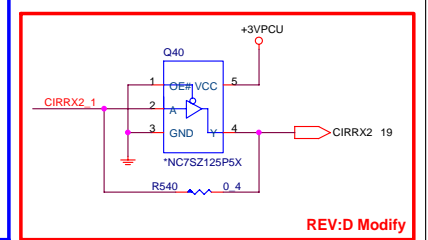
PROJECT : ZO1
Quanta Computer Inc.

Size: Document Number
LVDS/CRT/TVOUT/CCD
 Date: Thursday, May 17, 2007 Sheet 14 of 26 Rev 3B

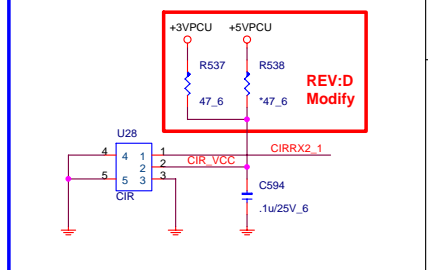
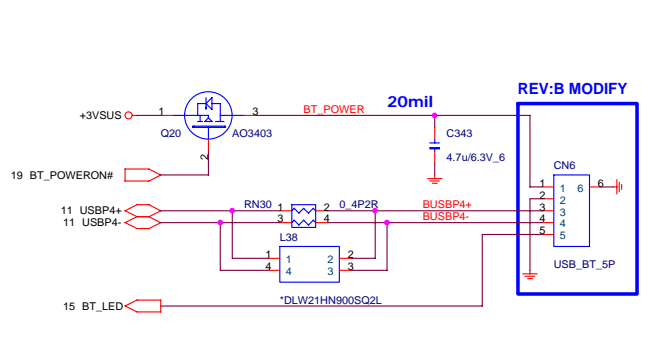
NEW-CARD



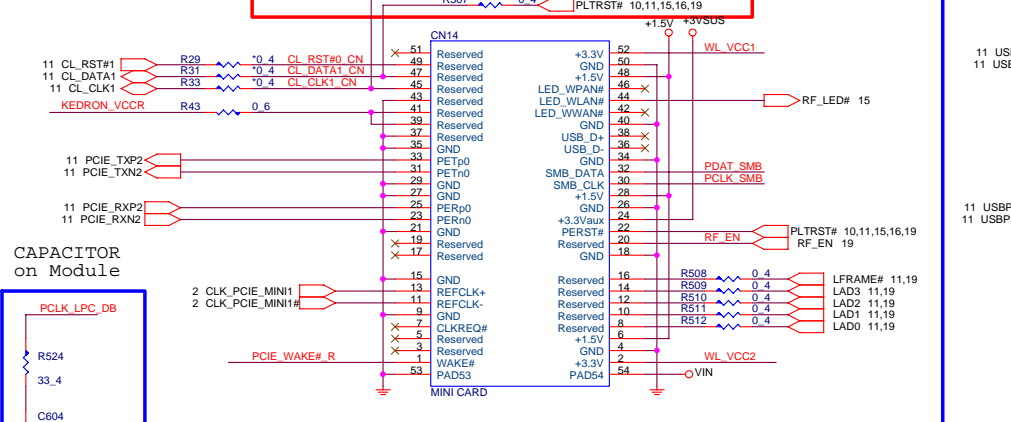
CIR

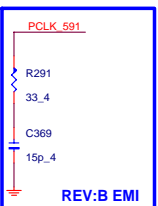
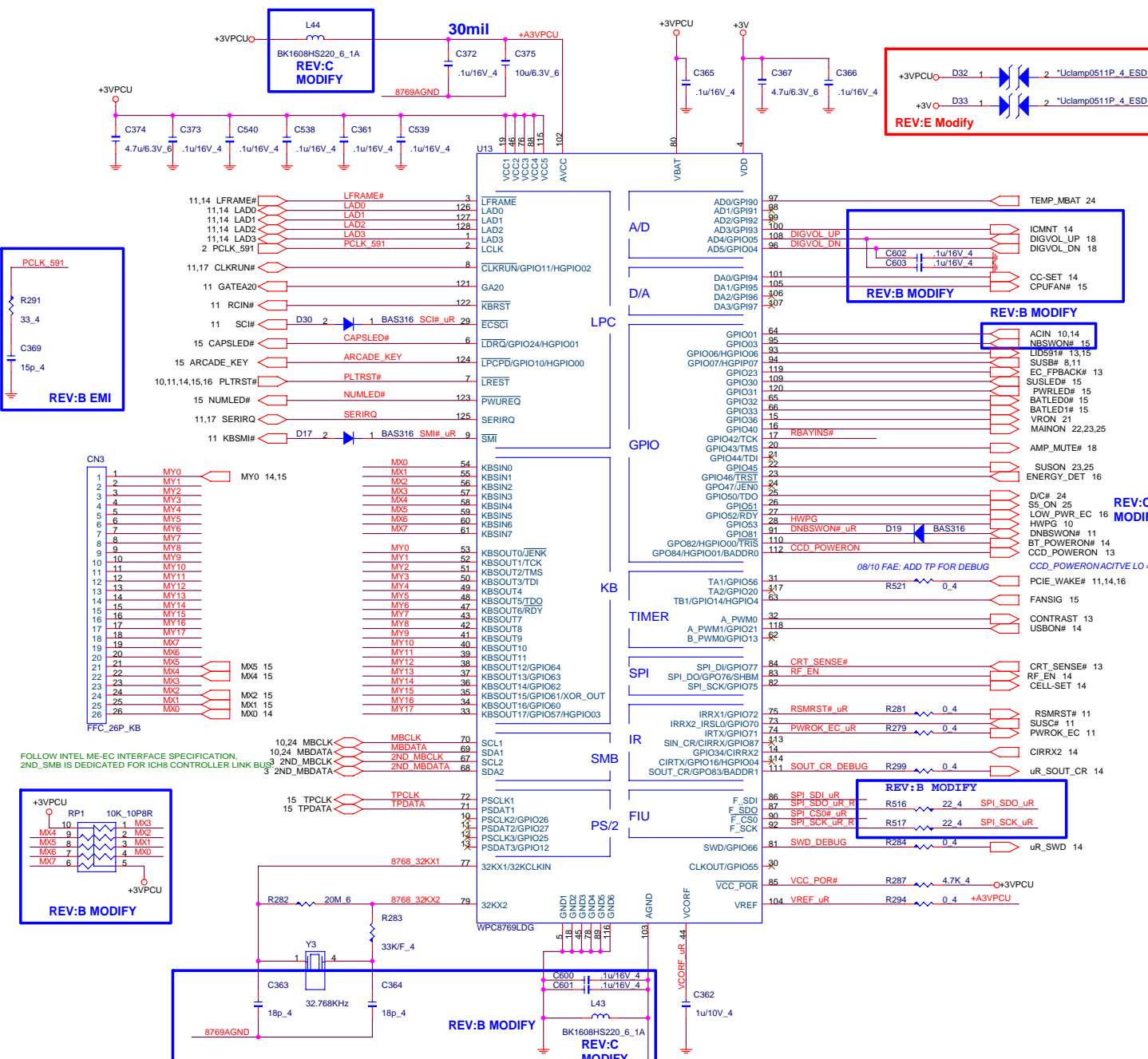


Bluetooth

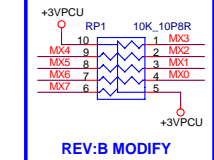


MINI-CARD

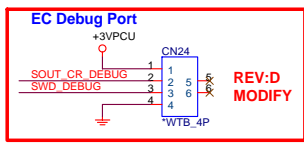




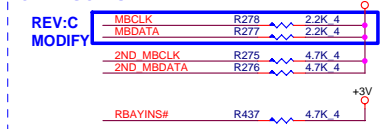
FOLLOW INTEL ME-EC INTERFACE SPECIFICATION.
2ND_SMB IS DEDICATED FOR ICH8 CONTROLLER LINK BUS



08/10 FAE:
L83 CAN CHANGE FROM BEAD TO SHORT.
BUT, PLEASE PUT AGND & 32K CAP & AVCC CAP AT ONE POINT.
ZS1 STILL USE BEAD FOR SAFE.



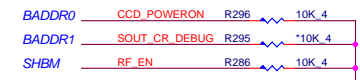
SM BUS PU



I/O ADDRESS SETTING

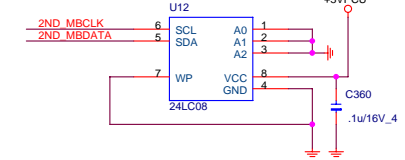
I/O Address	
BADDR1-0	Index Data
0 0	XOR TREE TEST MODE
0 1	CORE DEFINED
1 0	2Eh 2Fh
1 1	164Eh 164Fh

SHBM=0: Enable shared memory with host BIOS

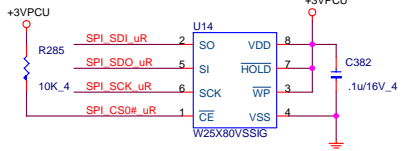


1/13 Confirm by vendor mail:
Disabled (1) if using FWH device on LPC.
Enabled (0) if using SPI flash for both system BIOS and EC firmware

ACER ID

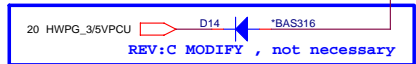
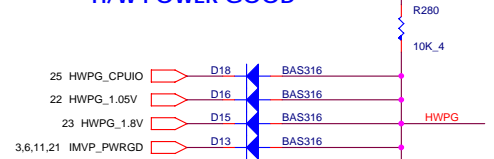


SPI FLASH



1/13 Confirm by vendor mail:
If the Southbridge enables 'Long Wait Abort' by default, the flash device should be 50MHz (or faster)

H/W POWER GOOD



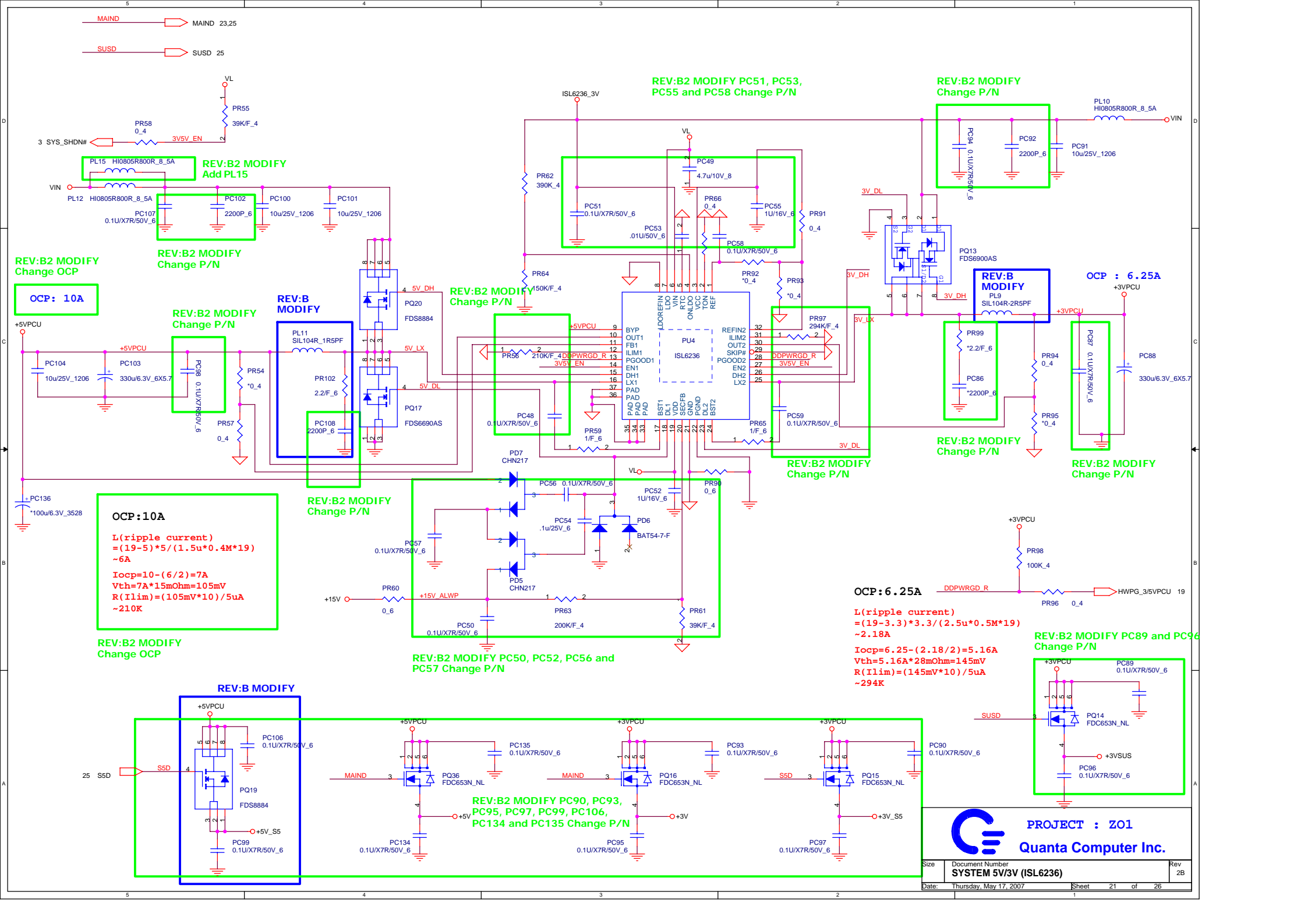
INTERNAL KEYBOARD STRIP SET



PROJECT : Z01

Quanta Computer Inc.

Size	Document Number	Rev
	PC8769L & FLASH	3B
Date:	Thursday, May 17, 2007	Sheet 20 of 26



REV:B2 MODIFY
Change OCP
OCP: 10A

REV:B2 MODIFY
Add PL15

REV:B2 MODIFY
Change P/N

REV:B2 MODIFY
Change P/N

REV:B MODIFY

REV:B2 MODIFY
Change P/N

REV:B2 MODIFY
PC51, PC53,
PC55 and PC58 Change P/N

REV:B2 MODIFY
Change P/N

OCP:10A
 $L(\text{ripple current}) = (19-5) * 5 / (1.5u * 0.4M * 19) \sim 6A$
 $I_{ocp} = 10 - (6/2) = 7A$
 $V_{th} = 7A * 15m\Omega = 105mV$
 $R(I_{lim}) = (105mV * 10) / 5uA \sim 210K$

REV:B2 MODIFY
Change OCP

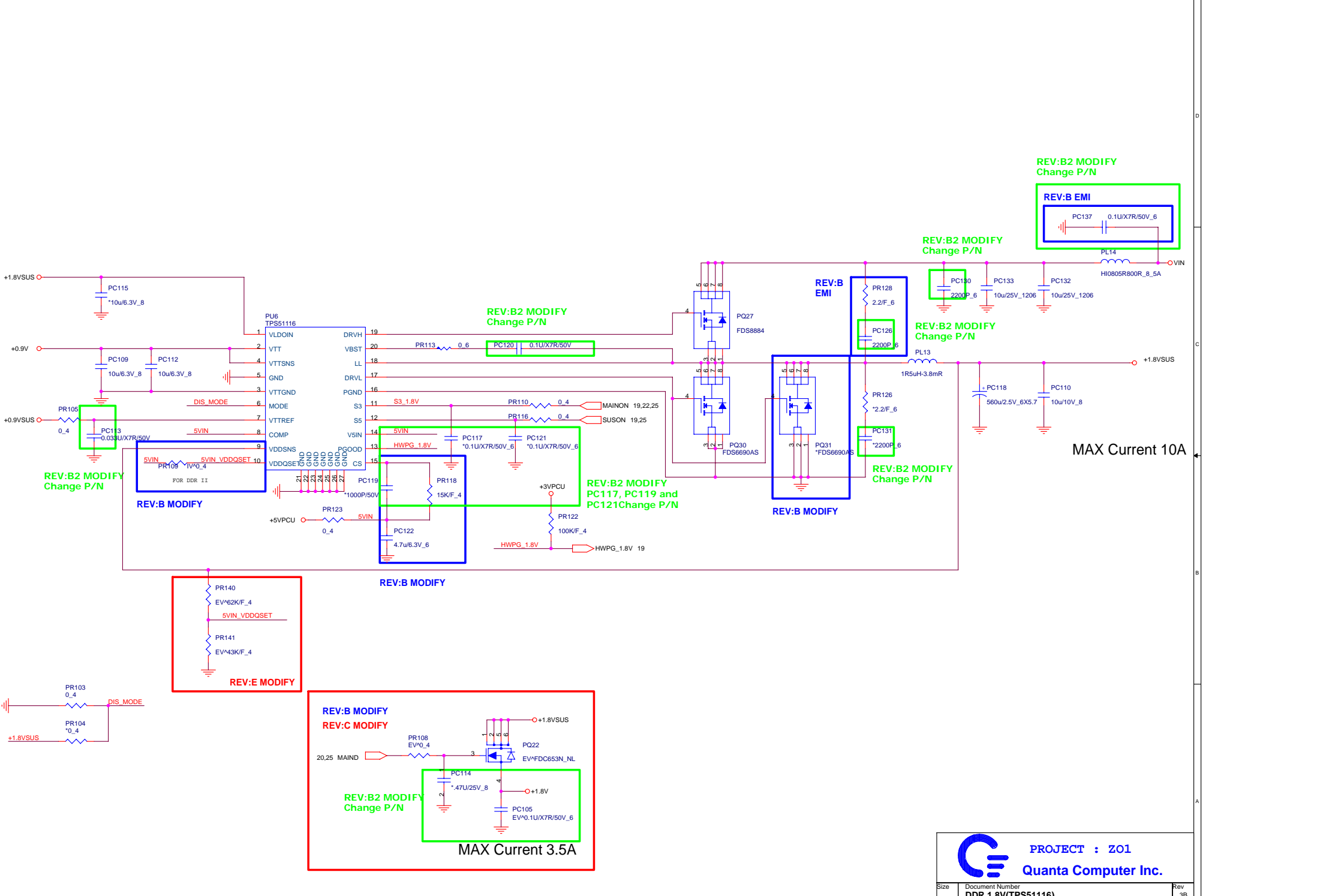
REV:B2 MODIFY
PC50, PC52, PC56 and
PC57 Change P/N

OCP: 6.25A
 $L(\text{ripple current}) = (19-3.3) * 3.3 / (2.5u * 0.5M * 19) \sim 2.18A$
 $I_{ocp} = 6.25 - (2.18/2) = 5.16A$
 $V_{th} = 5.16A * 28m\Omega = 145mV$
 $R(I_{lim}) = (145mV * 10) / 5uA \sim 294K$

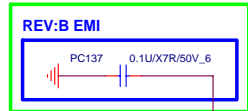
REV:B2 MODIFY
PC89 and PC96
Change P/N

REV:B2 MODIFY
PC90, PC93,
PC95, PC97, PC106,
PC134 and PC135 Change P/N

PROJECT : ZO1
Quanta Computer Inc.



REV:B2 MODIFY
Change P/N



REV:B2 MODIFY
Change P/N

REV:B2 MODIFY
Change P/N

REV:B2 MODIFY
Change P/N

REV:B2 MODIFY
Change P/N

REV:B2 MODIFY
PC117, PC119 and
PC121 Change P/N

REV:B MODIFY

REV:B MODIFY

REV:B MODIFY

REV:E MODIFY

REV:B MODIFY
REV:C MODIFY

REV:B2 MODIFY
Change P/N

MAX Current 3.5A

MAX Current 10A

