

# Thyme Main Board V04

PAGE	CONTENTS
01	MENU
02	EMI RC
03	DOCKING/LAN CN
04	Status Switch Board I/F
05	FDD,PRINTER PULL UP
06	HDD,Pointing CN
07	Bay CN
08	APPLICATION SW
09	INTR KB CN
10	USB HUB ,POW ,CN
11	RESET/IrDA
12	DIMM SLOT
13	AUDIO CN
14	MINI PCI
15	PCMCIA SLOT
16	DEBUG CN
17	FingerPrintCN
18	Coppermine-1
19	Coppermine-2
20	PASSCON for Coppermine
21	BLANK
22	SideBand Signals Pullup
23	BANISTER -1
24	BANISTER -2
25	BANISTER -3
26	BANISTER Strap Options
27	SPEED STEP (Geyserville SCL)
28	VID CONTROL
29	BLANK
30	BLANK
31	SDRAM DUMPING
32	PLL
33	BLANK
34	PULL UP for PCI/ISA
35	BAY Q-SW, IDE PULL-UP
36	BLANK
37	BAY ID
38	LCD Dumping
39	VGA(MOBILITY-M) -1
40	VGA(MOBILITY-M) -2

PAGE	CONTENTS
41	VGA(MOBILITY-M) -3
42	S-OUT
43	BLANK
44	CARDBUS CTRL(OZ711E1) -1
45	CARDBUS CTRL(OZ711E1) -2
46	CARDBUS POWER
47	BLANK
48	BLANK
49	IDSEL-QSW / SMBUS Selector
50	BLANK
51	SUPER I/O
52	AC97CODEC(STAC9757)
53	AUDIO AMP(3V)
54	AUDIO MISC
55	LOGIC
56	RING -1
57	RING -2
58	KBC
59	BIOS ROM,MISK
60	RS232C DRV
61	RSMRST#,PWR_RTC,LLB#,RSTSW#
62	BLANK
63	BLANK
64	BLANK
65	TEMP SENSOR,FAN CONTROL
66	POWER / TOP PAGE
67	POWER / CPUCORE
68	POWER / 3VSTD,5VSUS
69	POWER / CHARGER
70	POWER / LDO_SYSTEM
71	POWER / LDO_AUDIO,IR
72	POWER / LDO_PMU,VAVR,VREF1.2
73	POWER / DCIN CN
74	POWER / BATTERY CN
75	POWER / SUBBATTERY
76	POWER / PWR_1,2
77	POWER / SWITCH
78	POWER / PMU
79	POWER / AmMeter
80	POWER / VolMeter
81	POWER / ACO_n,BtIn
82	POWER / Scont
83	POWER / Reserved

## PCI REQ#/GNT#

REQ0	PCIC
REQ1	
REQ2	MINIPCI
REQ3	VGA

## PCI (ID) SEL ALLOCATION

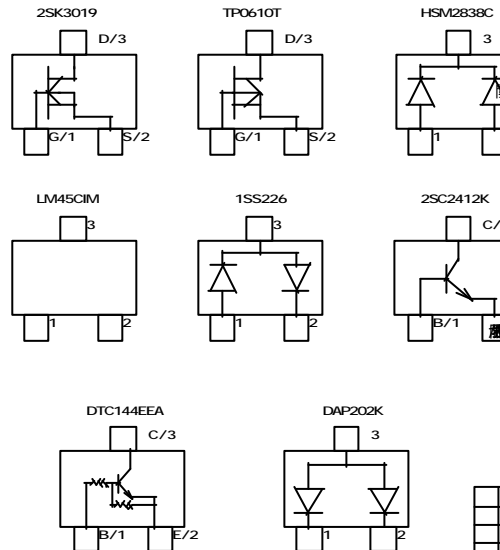
AD11	BANISTER
AD12	
AD13	
AD14	
AD15	
AD18	BANISTER
AD24	
AD26	PCIC
AD27	
AD28	
AD29	MINI PCI
AD30	
AD31	VGA

## PCIINT#

PCIINT0	PCIC-A
PCIINT1	PCIC-B
PCIINT2	VGA / (MINI PCI)
PCIINT3	USB / (MINI PCI)

## Version history

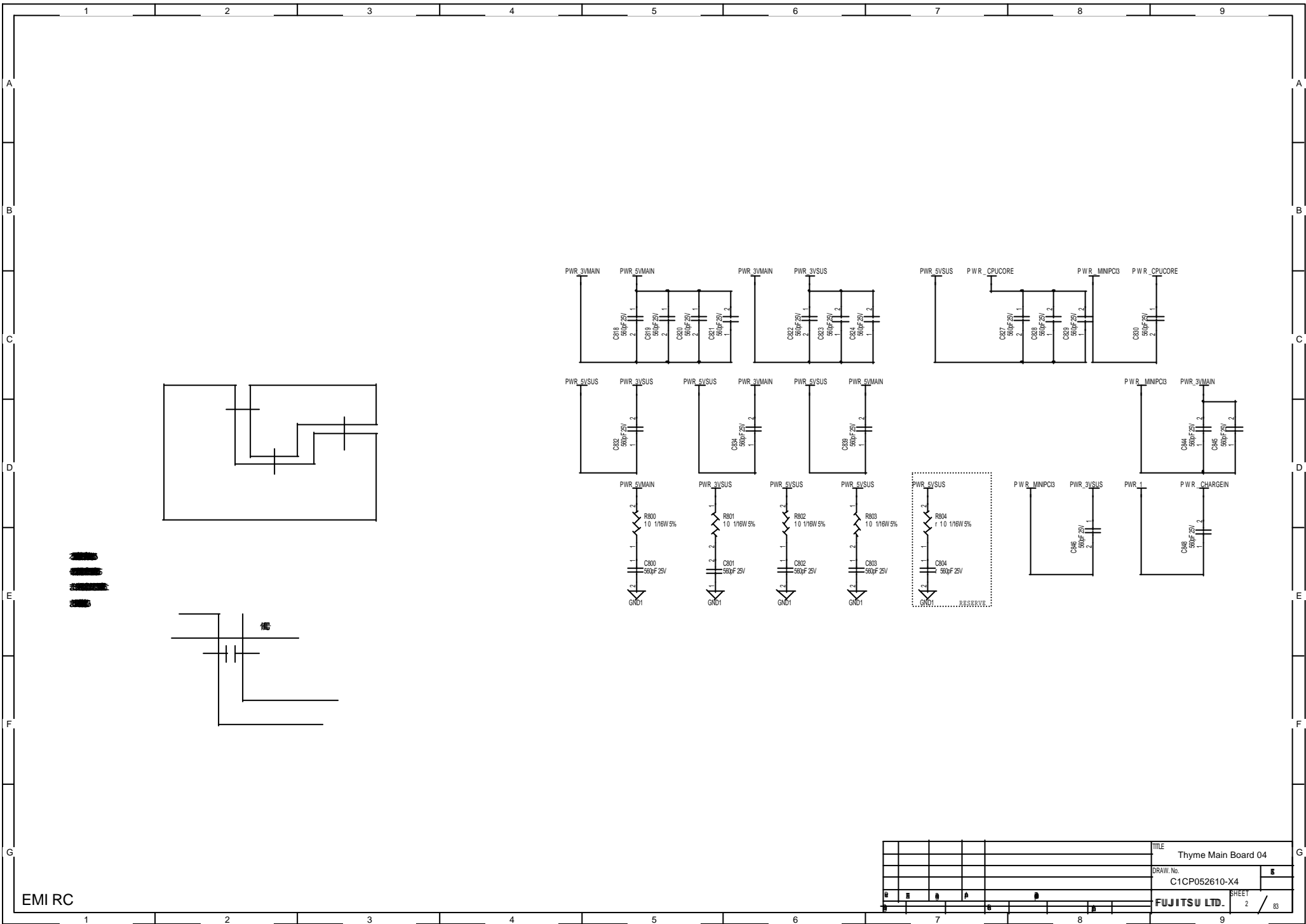
Ver	Date	Change Page
G4	00.09.06	FIRST VERSION
G4	00.09.13	P10,34,55 EC1132001742
G4	00.09.18	P10 EC1132001774



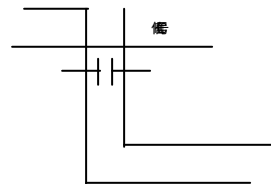
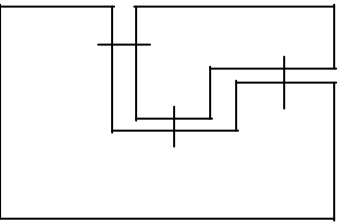
- PWR\_5VUSB0, PWR\_5VUSB1 1.5mm
- PWR\_EXDCIN, PWR\_INTDCIN, PWR\_DCIN 3mm
- PWR\_LCD 1.5mm
- PWR\_BAY 2mm
- PWR\_CARD0, PWR\_CARD1 1.5mm
- PWR\_CARDP0, PWR\_CARDP1 1mm
- 1mm
- PWR\_VREFGTL 1mm
- PWR\_CPUBUS M8 - M9間 @1mm
- PWR\_VGA 1.5mm
- PWR\_AUD 1.5mm
- PWR\_FAN\_Q17(4) 端子配線 0. 5mm

MENU

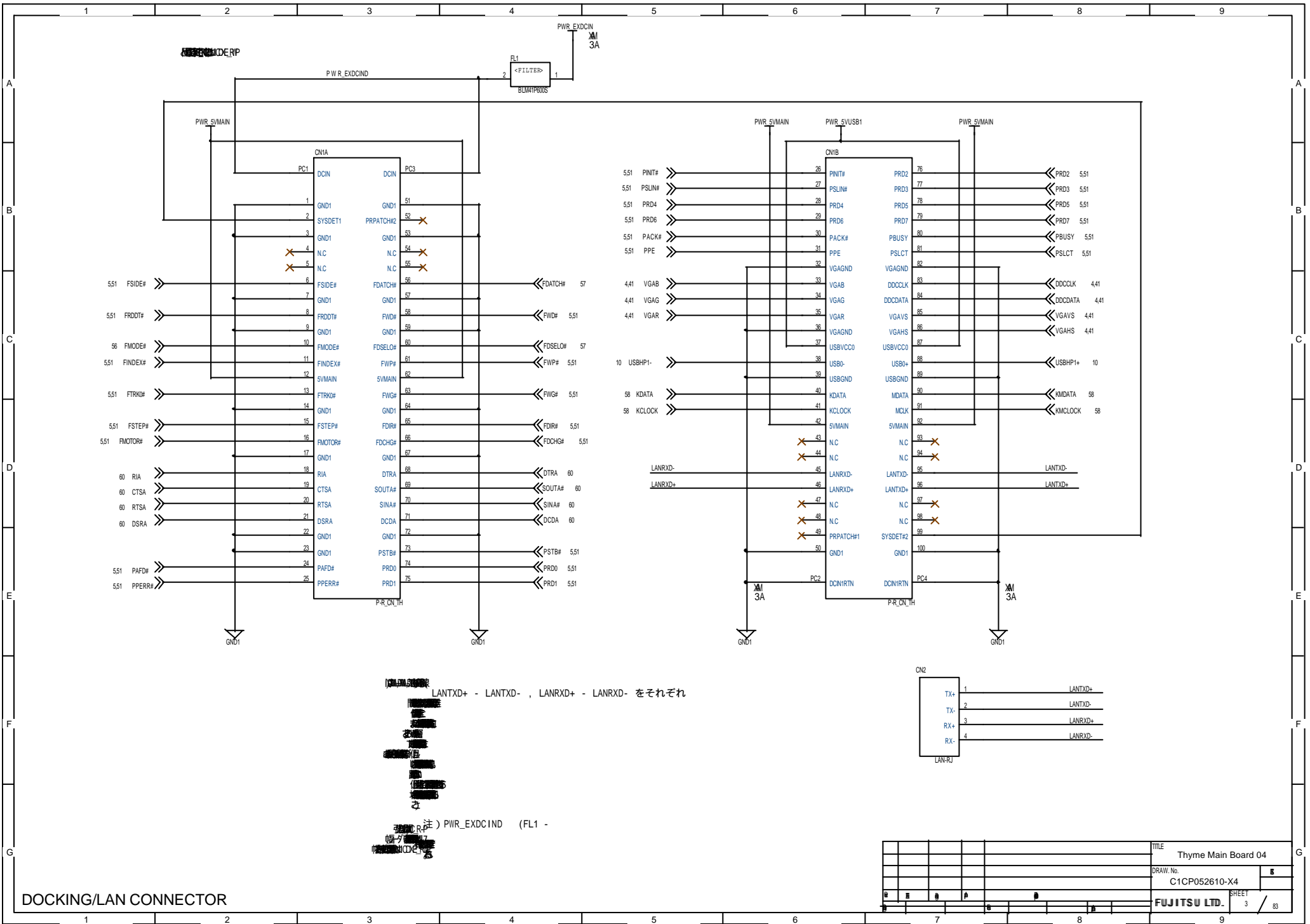
TITLE			
Thyme Main Board 04			
DRAW. No. C1CP052610-X4			
FUJITSU LTD. SHEET 1 / 83			
2000.09.18	Tanaka	Fuchida	Fukuda



EMI RC



TITLE		Thyme Main Board 04	
DRAW. No.		C1CP052610-X4	
FUJITSU LTD.		SHEET 2 / 83	

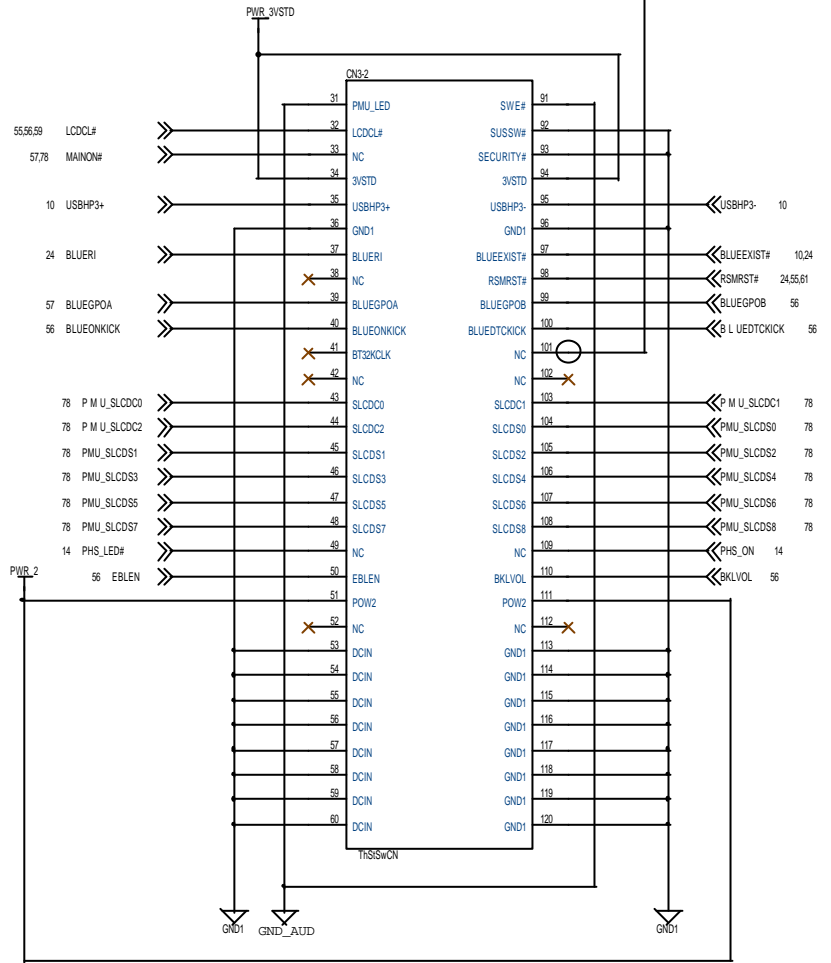
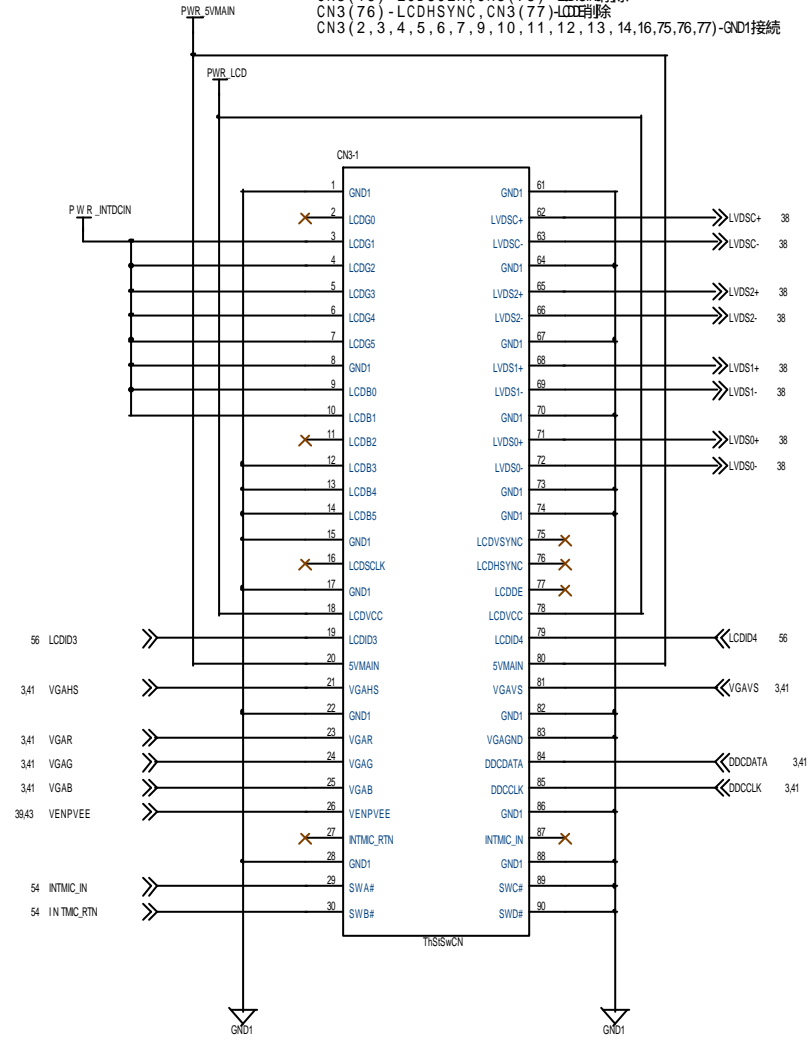


DOCKING/LAN CONNECTOR

TITLE		Thyme Main Board 04	
DRAW. No.		C1CP052610-X4	
FUJITSU LTD.		SHEET 3 / 83	

0730  
 CN3 (2) - LCDG0, CN3 (3) - LCDG1, CN3 (4) - LCDG2, CN3 (5) - LCDG3 削除  
 CN3 (6) - LCDG4, CN3 (7) - LCDG5 削除  
 CN3 (9) - LCDDB0, CN3 (10) - LCDDB1, CN3 (11) - LCDDB2, CN3 (12) - LCDDB3 削除  
 CN3 (13) - LCDDB4, CN3 (14) - LCDDB5 削除  
 CN3 (16) - LCDSCLK, CN3 (75) - LCDHSYNC 削除  
 CN3 (76) - LCDHSYNC, CN3 (77) - LCDDE 削除  
 CN3 (2, 3, 4, 5, 6, 7, 9, 10, 11, 12, 13, 14, 16, 75, 76, 77) - GND1 接続

0727  
 CN3 (101) - PWR\_MINIPCI3 接続

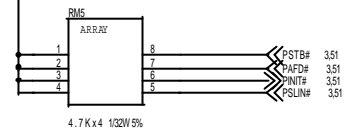
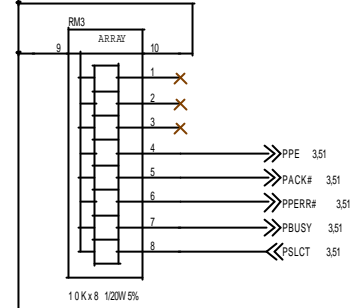
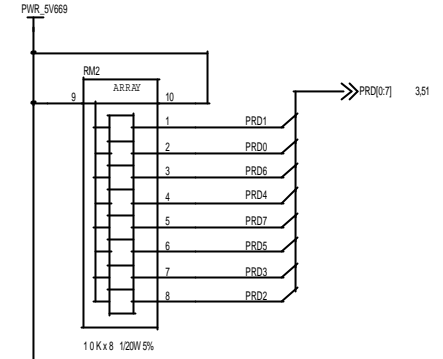
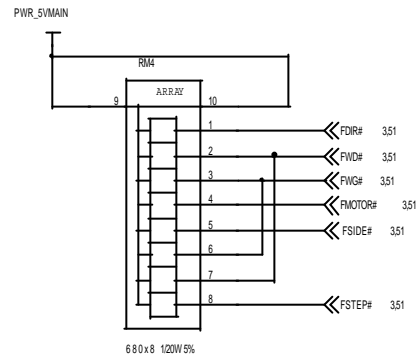
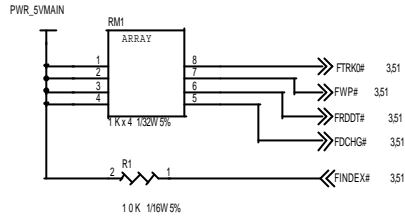


Status Switch Board CN

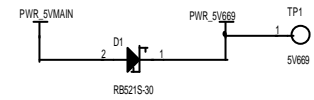
TITLE		Thyme Main Board 04
DRAW. No.		C1CP052610-X4
FUJITSU LTD.		SHEET 4 / 83

**REMOVED**

FLOPPY control signals  
 Above register array and register must be placed near  
 super I/O chip (FDC37N769) and routed with short trace from it.

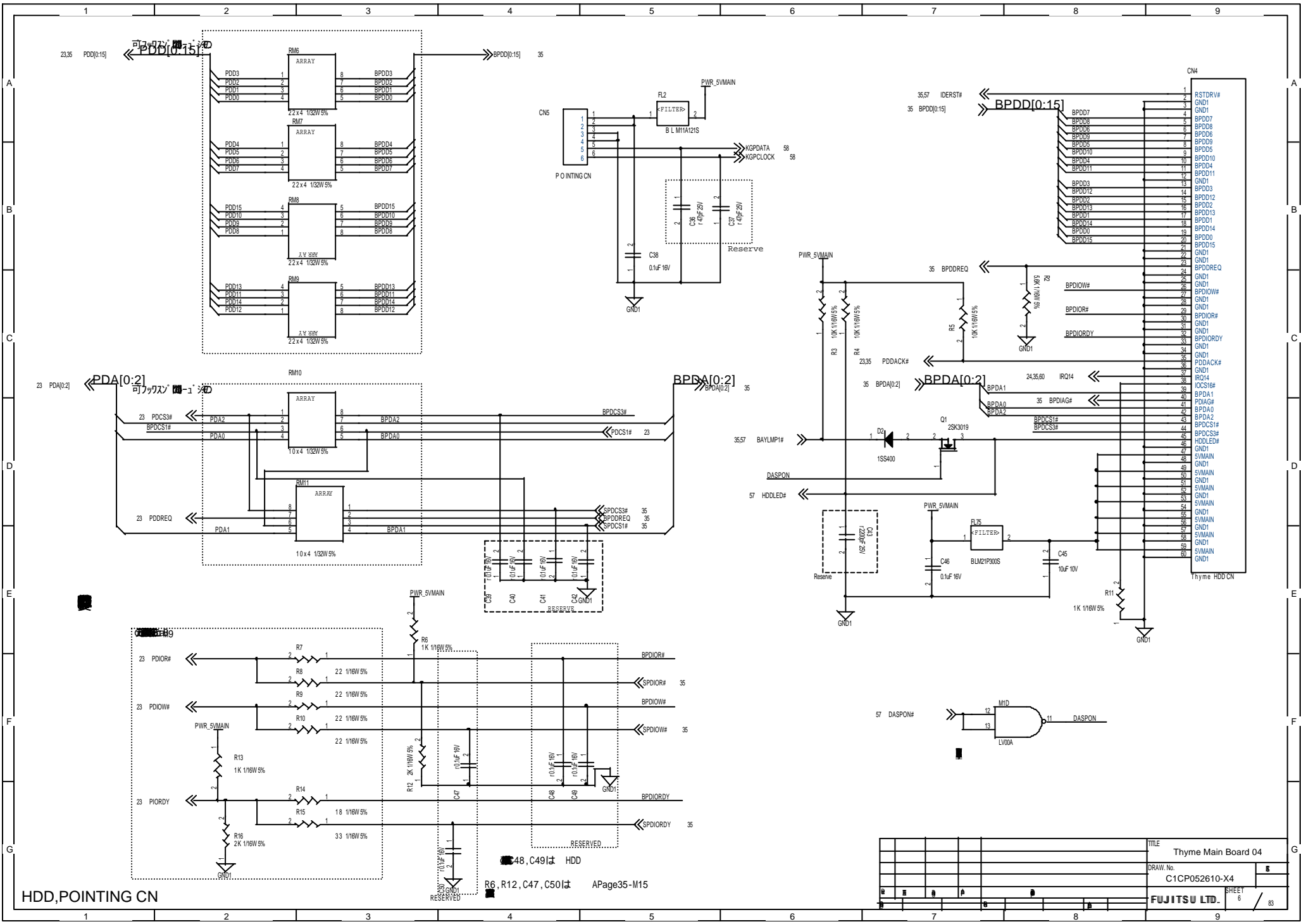


**REMOVED**



FDD,PRINTER PULL UP

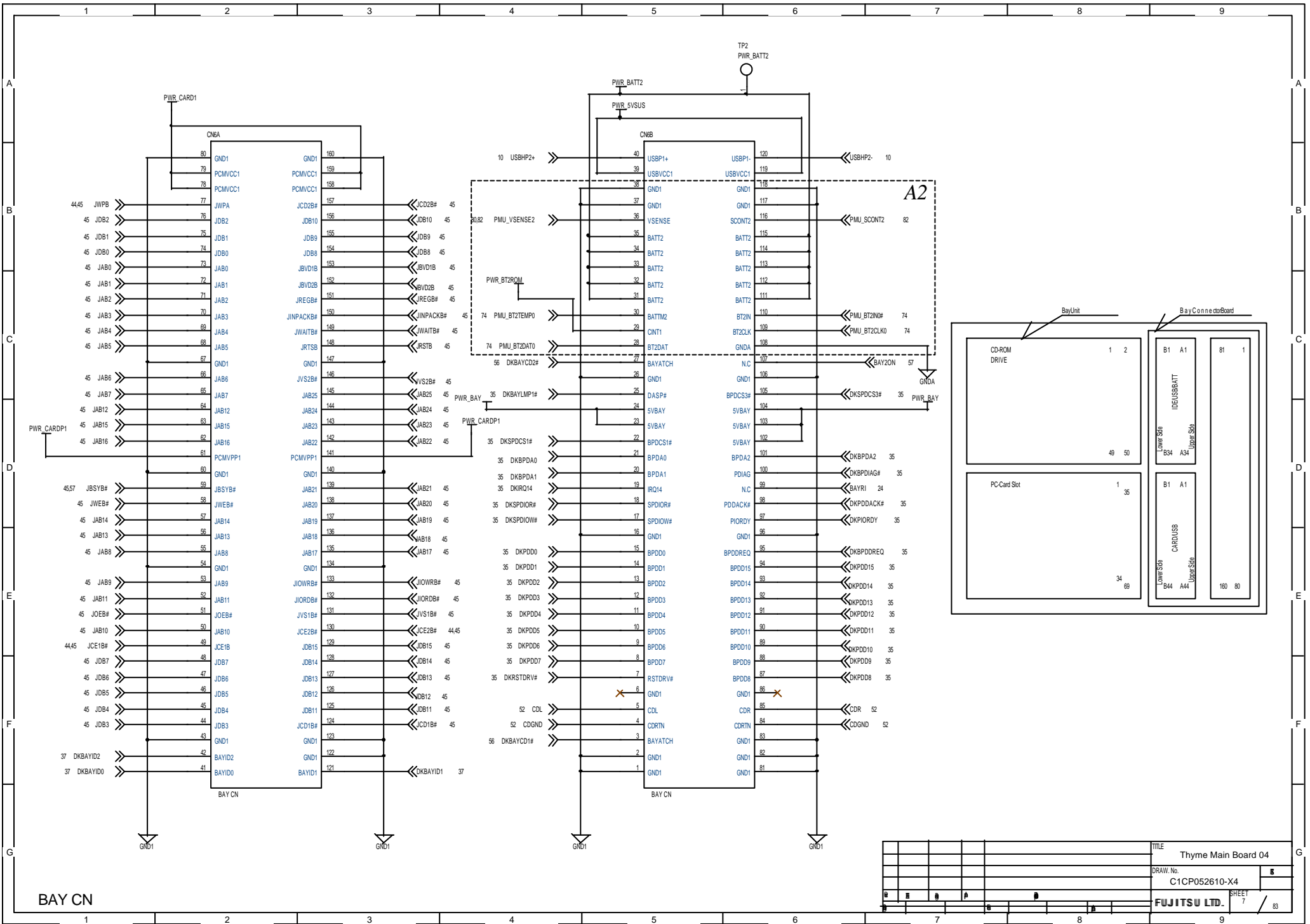
TITLE		Thyme Main Board 04	
DRAW. No.		C1CP052610-X4	
FUJITSU LTD.		SHEET 5 / 83	



HDD,POINTING CN

48, C49は HDD  
R6, R12, C47, C50は APage35-M15

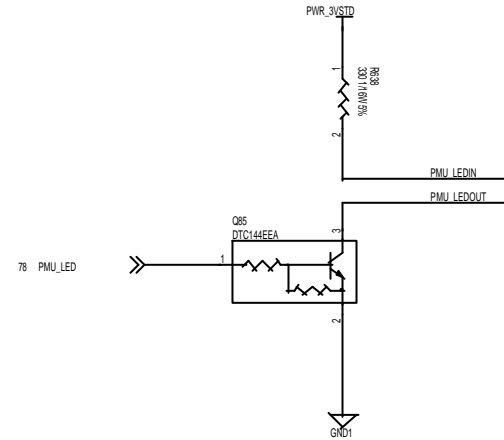
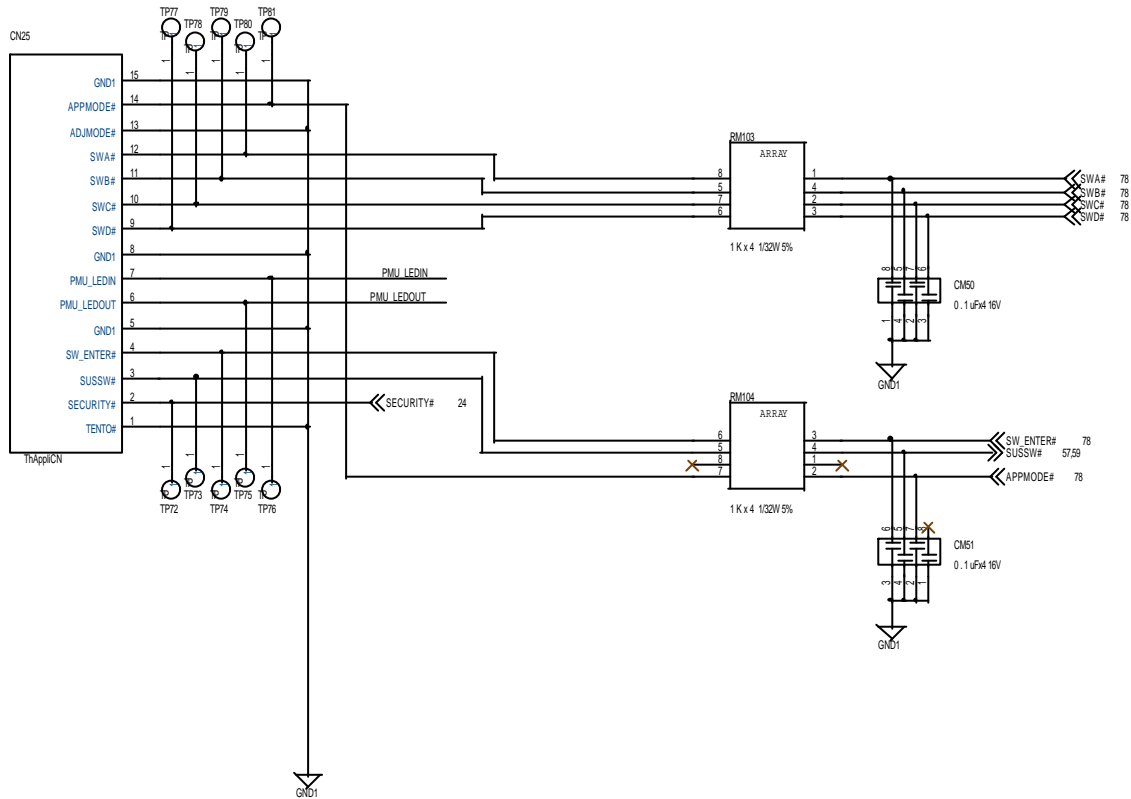
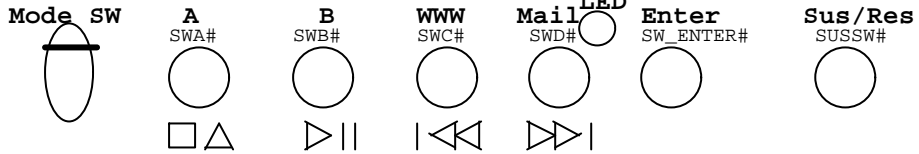
TITLE		Thyme Main Board 04	
DRAW. No.		C1CP052610-X4	
SHEET		6 / 83	
FUJITSU LTD.			



BAY CN

TITLE		Thyme Main Board 04	
DRAW. No.		C1CP052610-X4	
FUJITSU LTD.		SHEET 7 / 83	

**LOCATION**

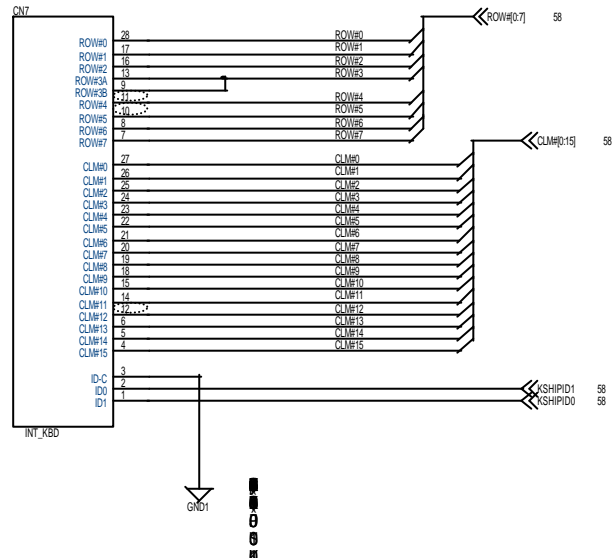


APPLICATION SW

TITLE		Thyme Main Board 04	
DRAW. No.		C1CP052610-X4	
FUJITSU LTD.		SHEET 8 / 83	

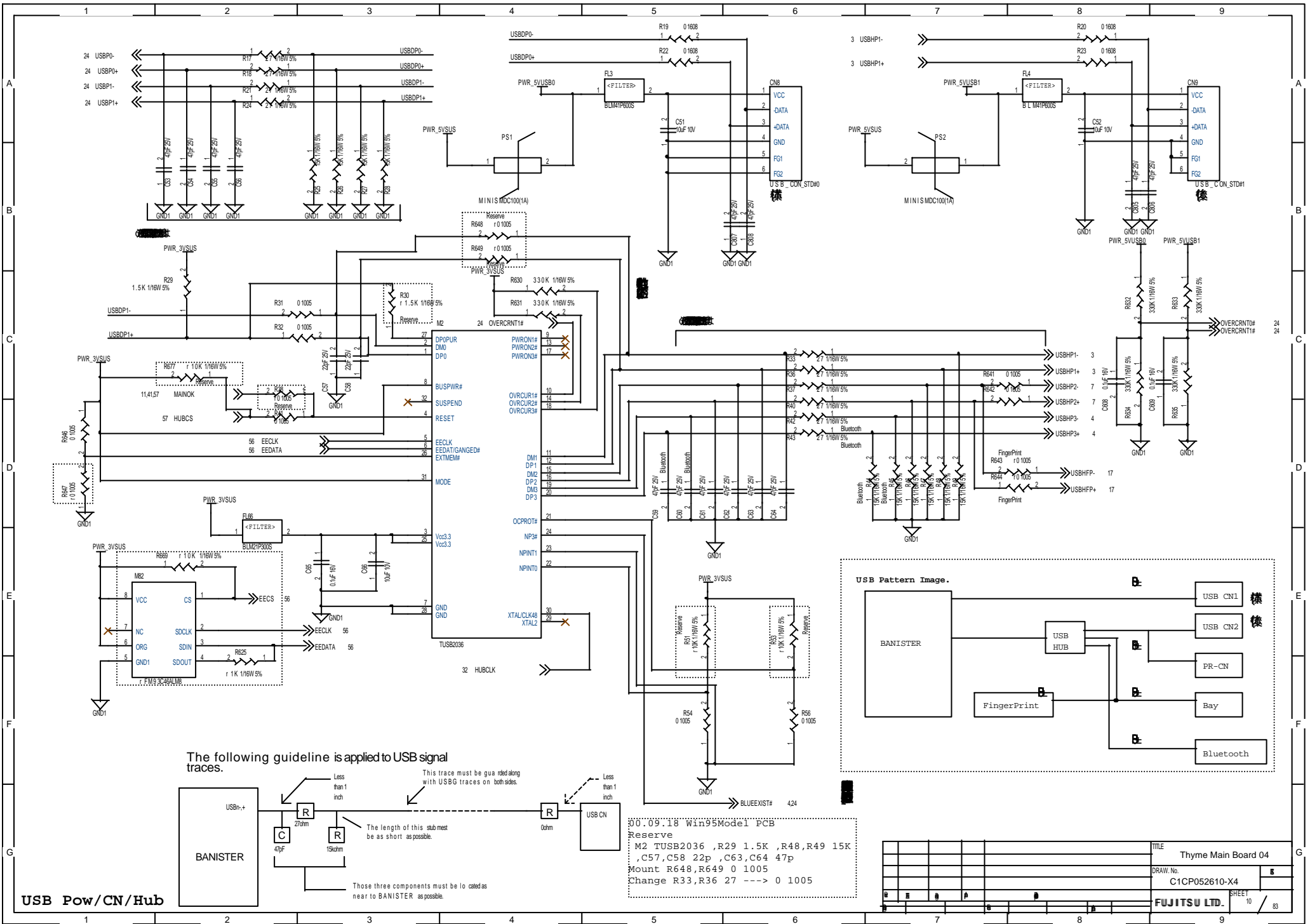


### THYME Keyboard Connector

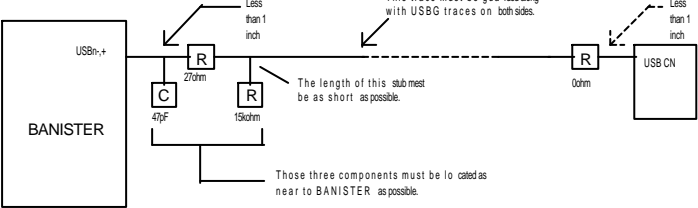


INTR KB CN

TITLE		Thyme Main Board 04	
DRAW. No.		C1CP052610-X4	
FUJITSU LTD.		SHEET 9 / 83	



The following guideline is applied to USB signal traces.

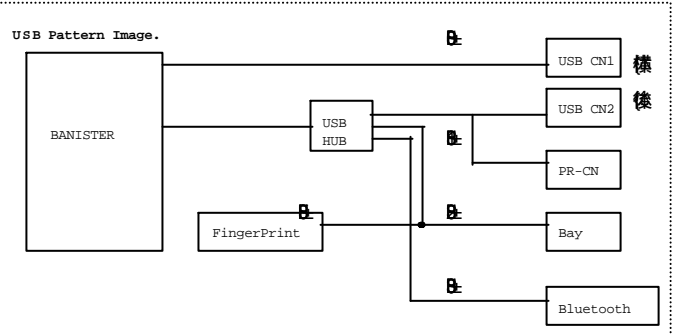


Less than 1 inch

The length of this stub must be as short as possible.

Those three components must be located as near to BANISTER as possible.

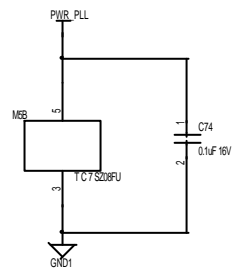
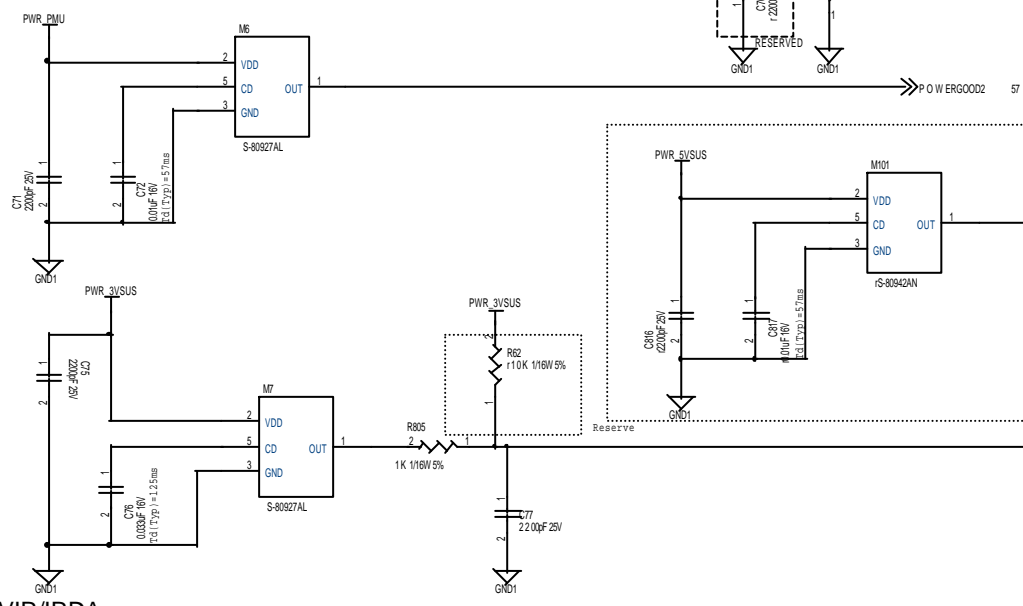
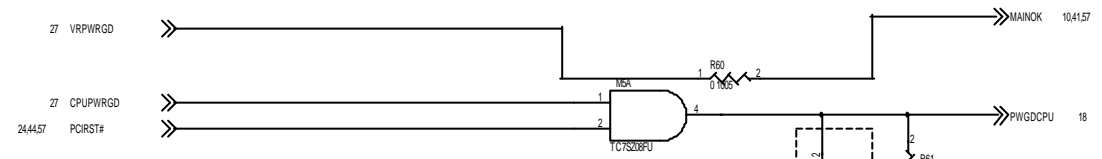
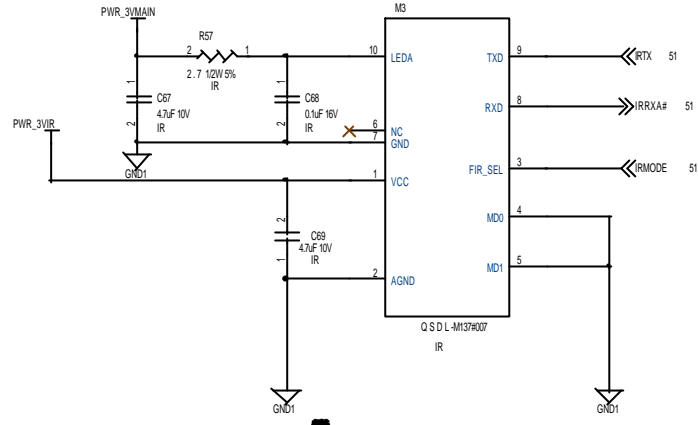
00.09.18 Win95Model PCB  
 Reserve  
 M2 TUSB2036 ,R29 1.5K ,R48,R49 15K  
 ,C57,C58 22p ,C63,C64 47p  
 Mount R648,R649 0 1005  
 Change R33,R36 27 ---> 0 1005



USB Pow/CN/Hub

TITLE	Thyme Main Board 04
DRAW. No.	C1CP052610-X4
SHEET	10 / 83
FUJITSU LTD.	

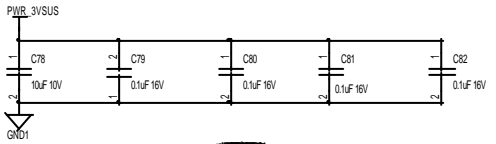
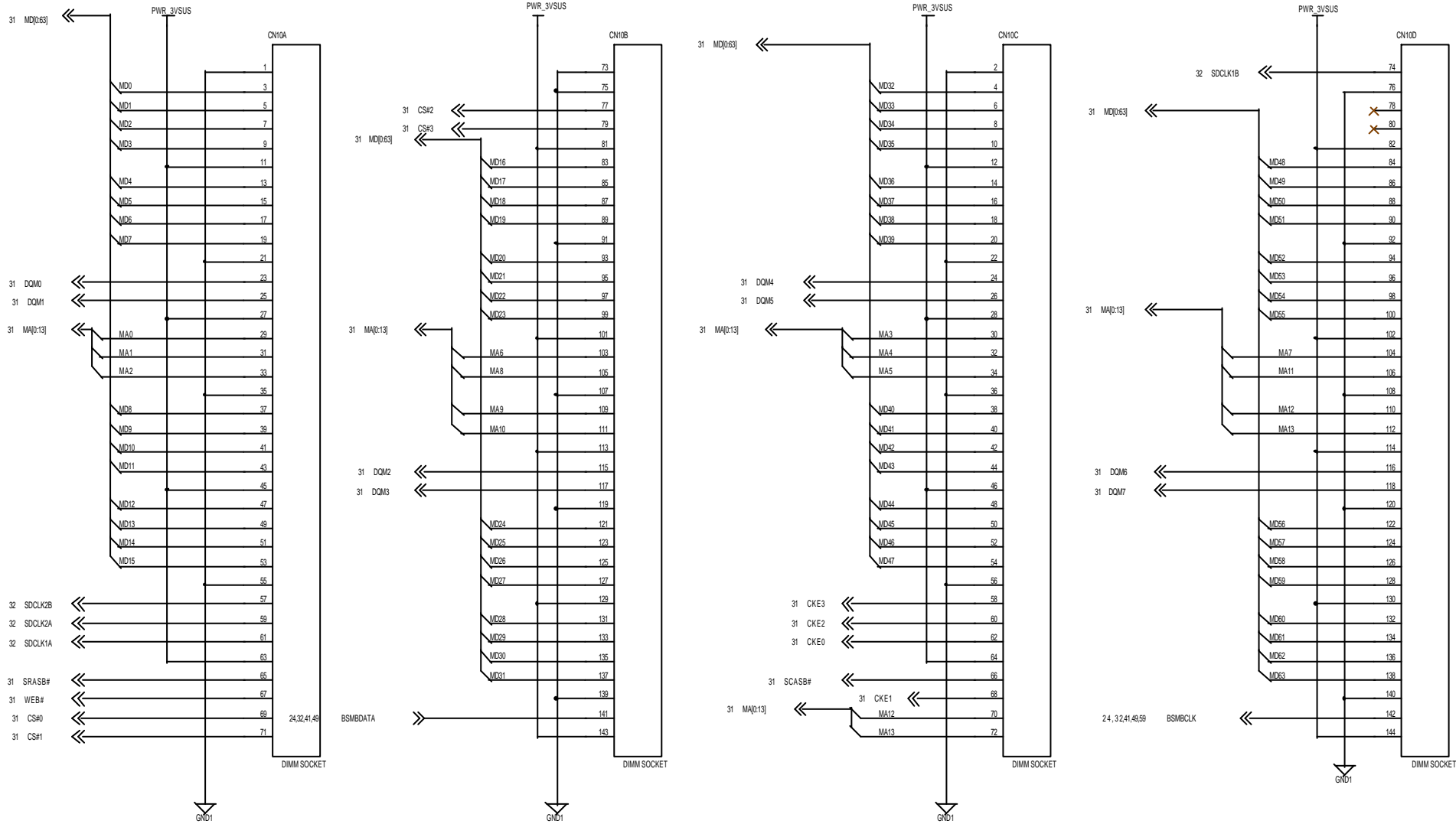
MAX 1A



RESET/3VIR/IRDA

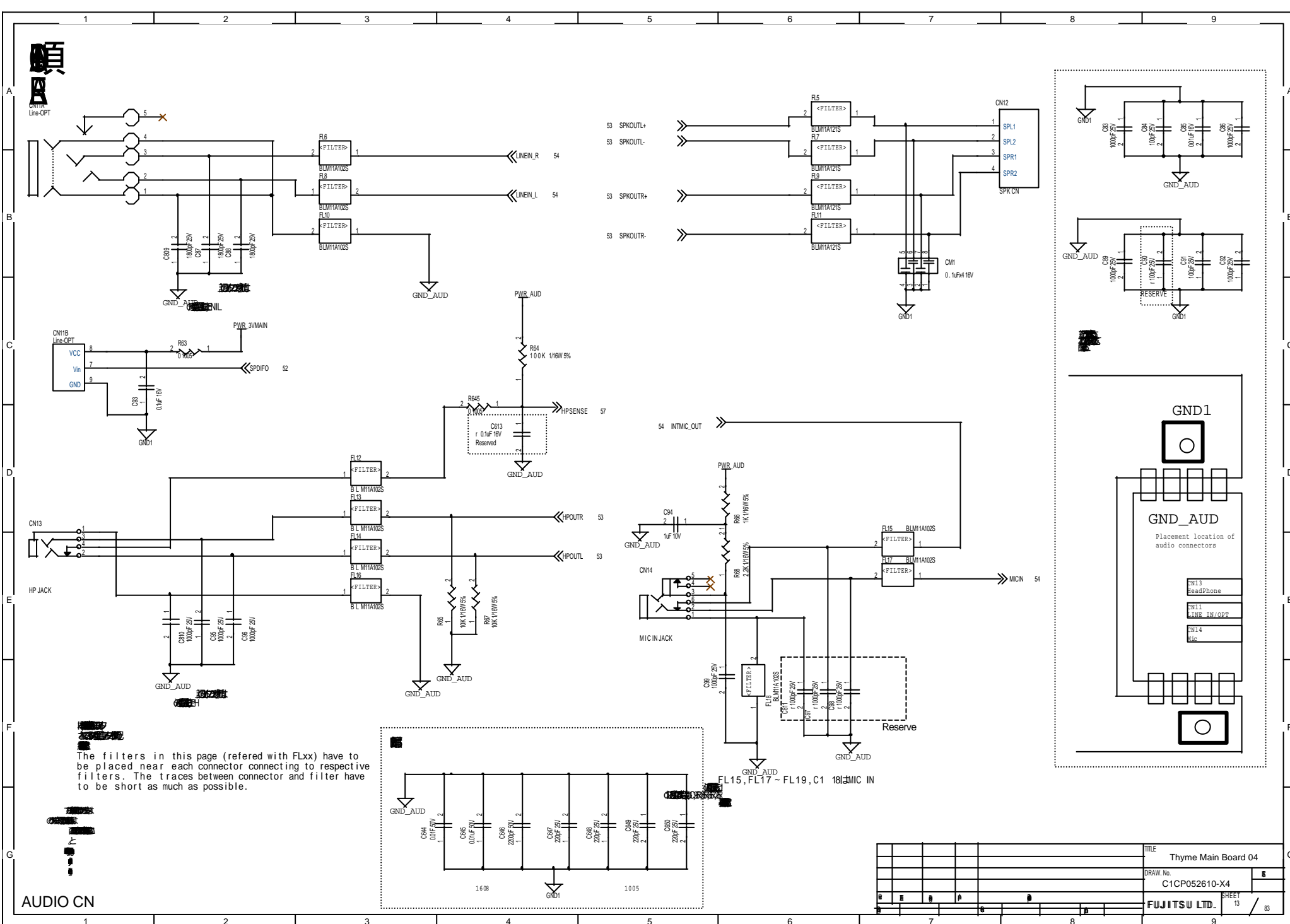
TITLE		Thyme Main Board 04	
DRAW. No.		C1CP052610-X4	
SHEET		11 / 83	
FUJITSU LTD.			

# SO-DIMM SLOT (FOR EXPANSION MEMORY)

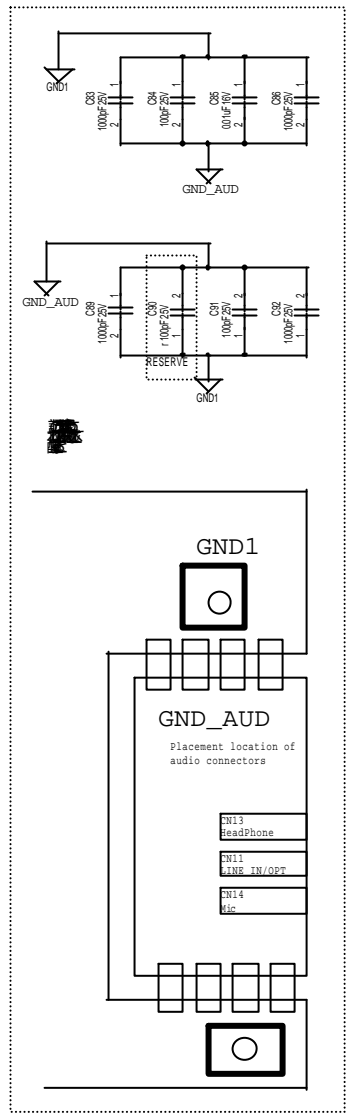


Dimm Slot

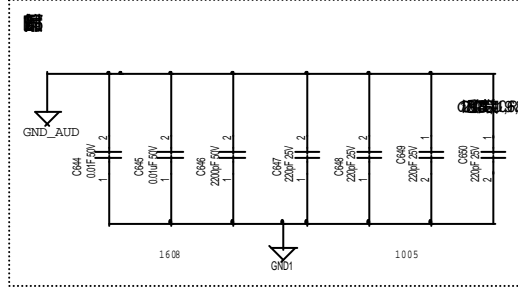
TITLE		Thyme Main Board 04	
DRAW. No.		C1CP052610-X4	
FUJITSU LTD.		SHEET 12 / 83	



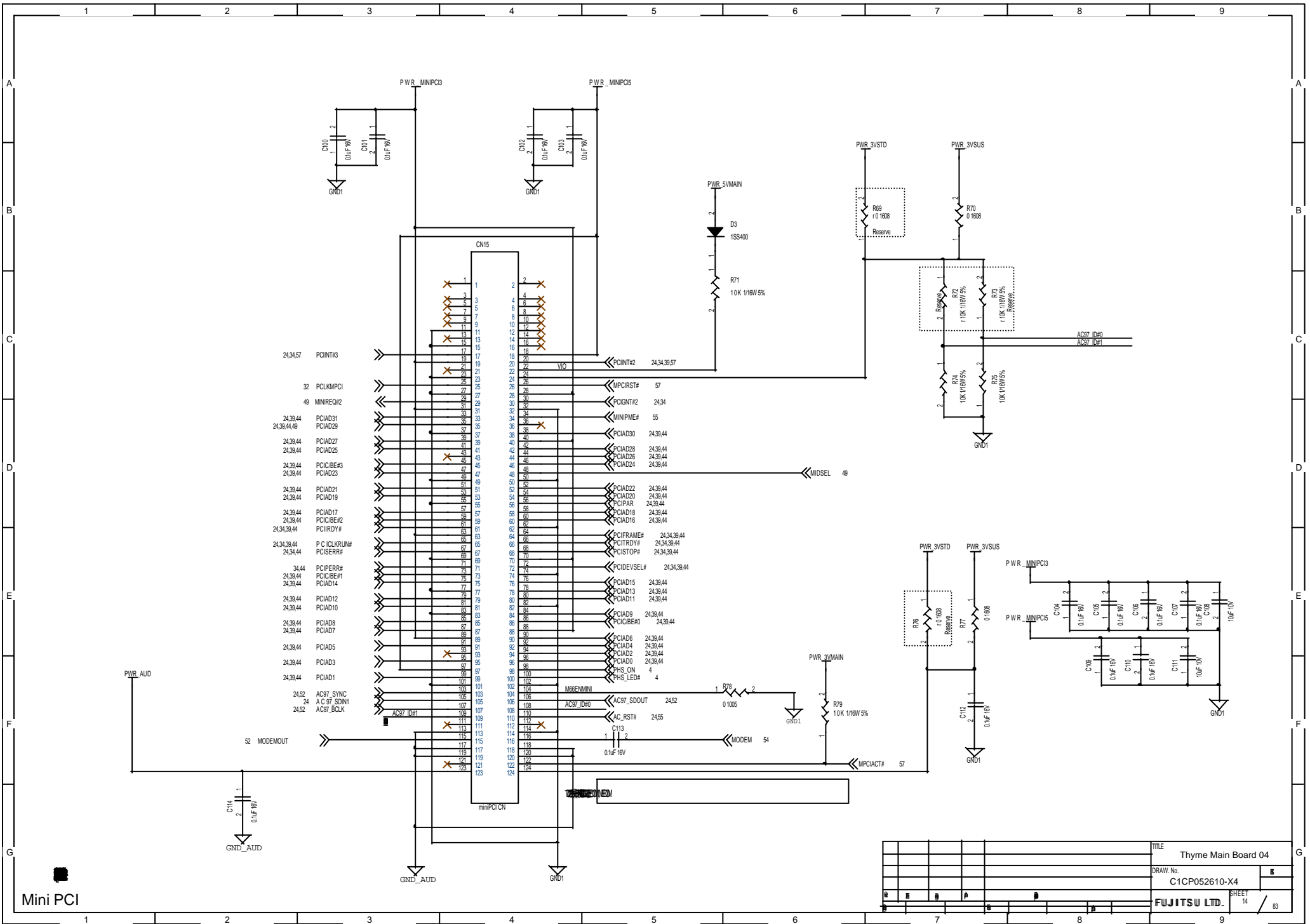
The filters in this page (referred with FLxx) have to be placed near each connector connecting to respective filters. The traces between connector and filter have to be short as much as possible.



AUDIO CN

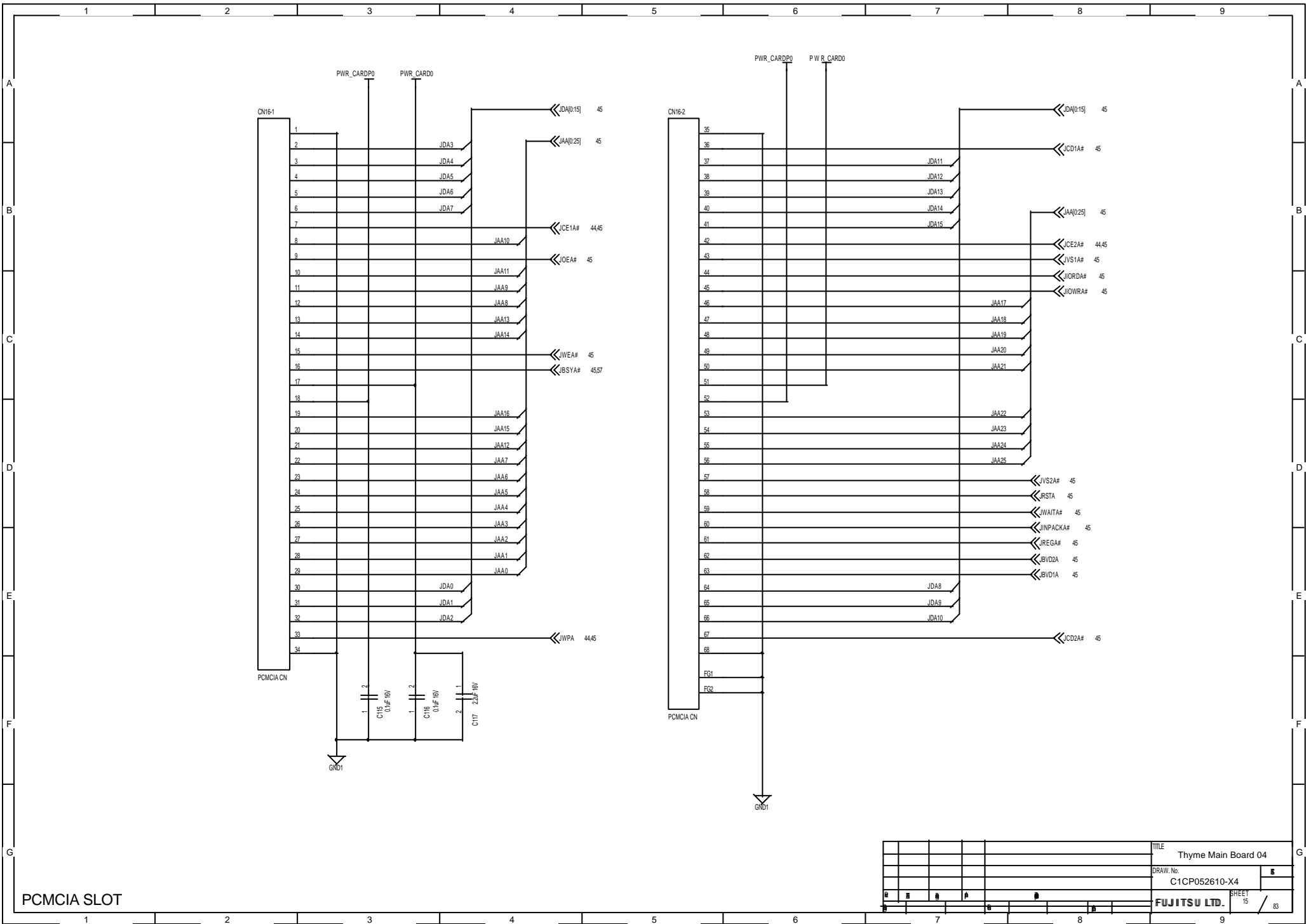


TITLE		Thyme Main Board 04	
DRAW. No.		C1CP052610-X4	
FUJITSU LTD.		SHEET 13 / 83	



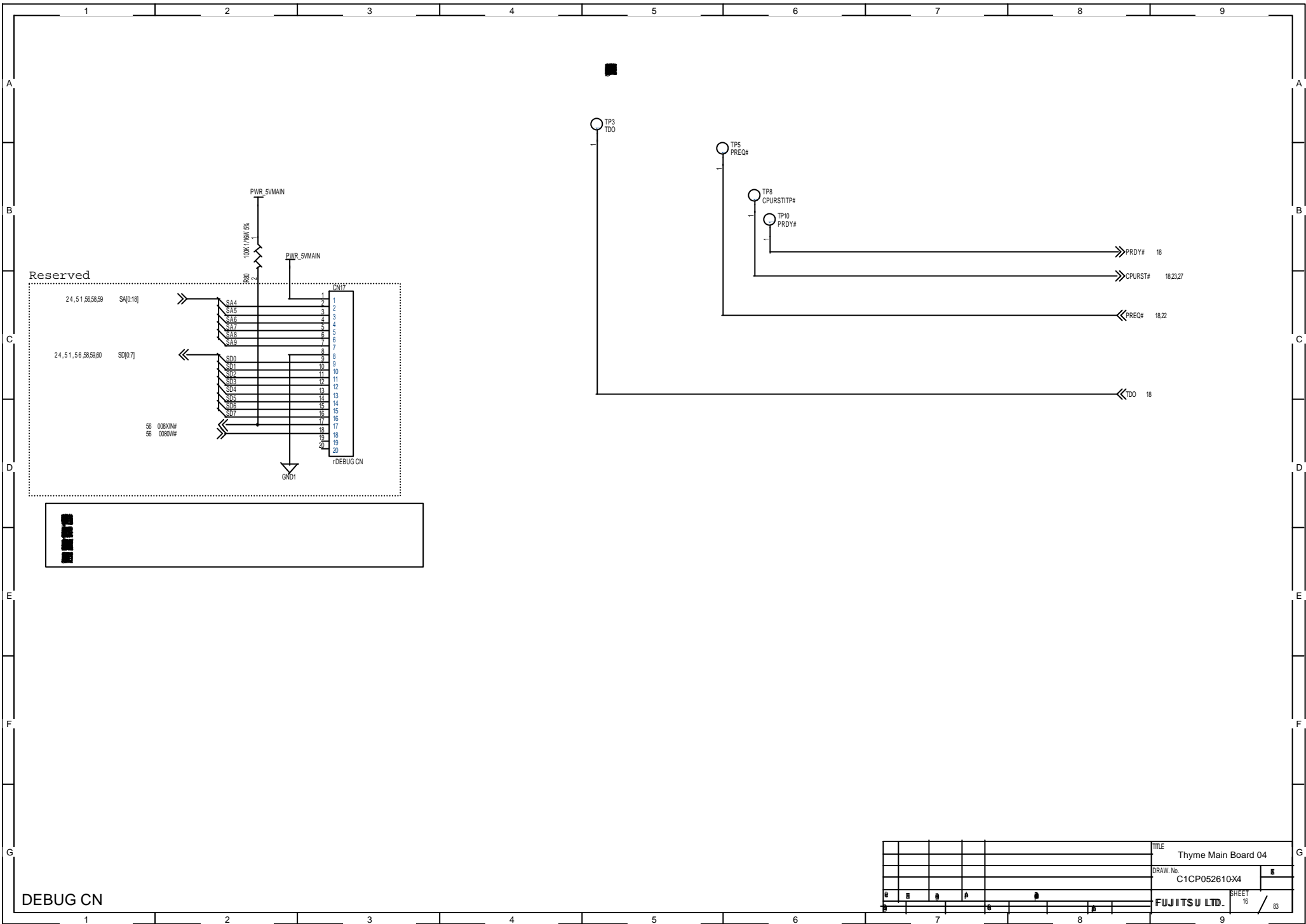
Mini PCI

TITLE		Thyme Main Board 04	
DRAW. No.		C1CP052610-X4	
SHEET		14	
FUJITSU LTD.		83	



PCMCIA SLOT

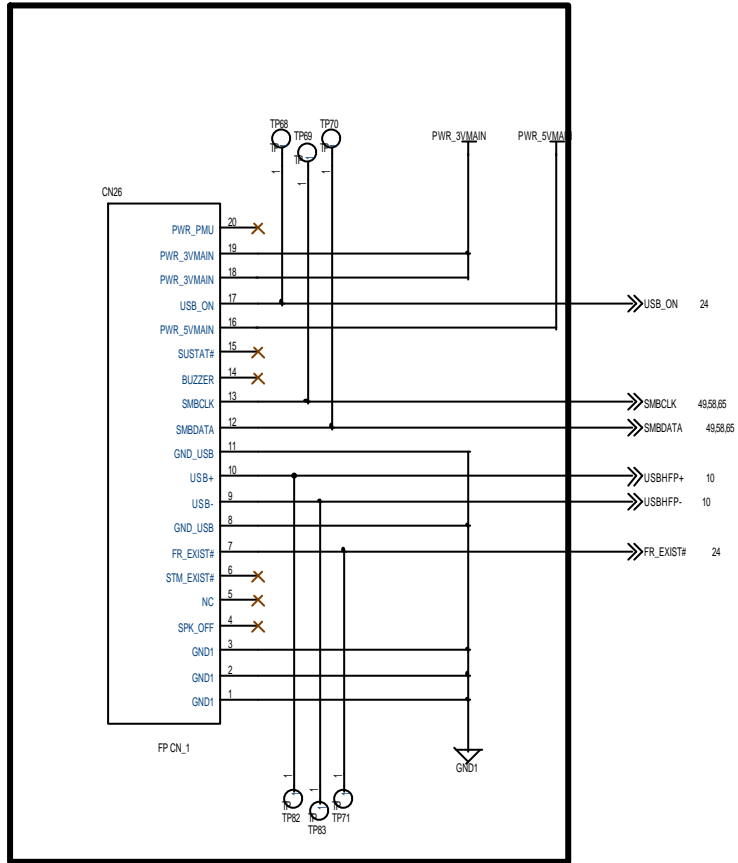
TITLE		Thyme Main Board 04	
DRAW. No.		C1CP052610-X4	
SHEET		15 / 83	
FUJITSU LTD.			



DEBUG CN

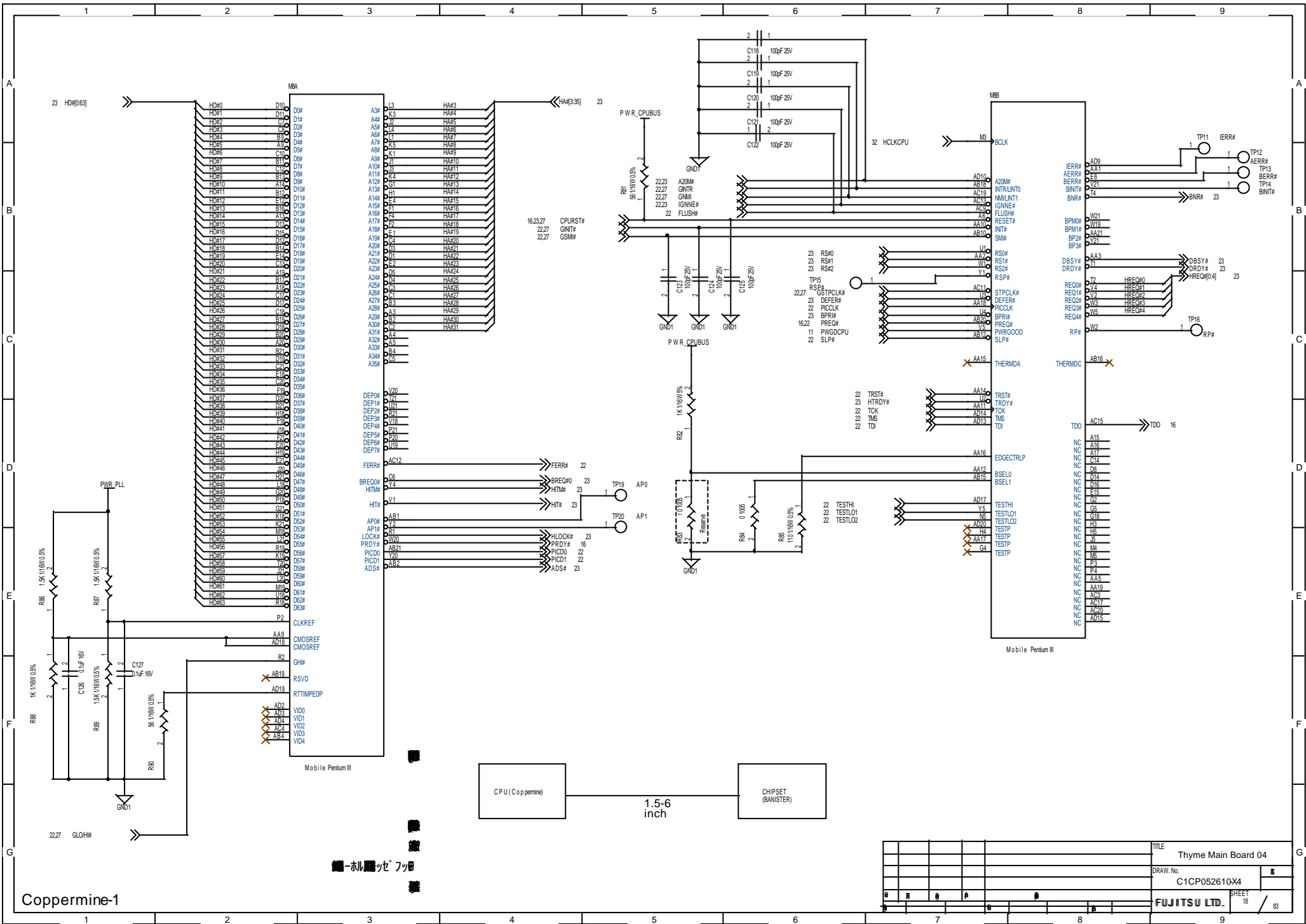
TITLE		Thyme Main Board 04	
DRAW. No.		C1CP052610X4	
FUJITSU LTD.		SHEET 16 / 83	





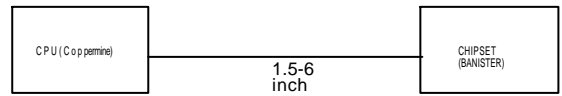
FingerPrintCN

TITLE		Thyme Main Board 04	
DRAW. No.		C1CP052610X4	
FUJITSU LTD.		SHEET 17 / 83	

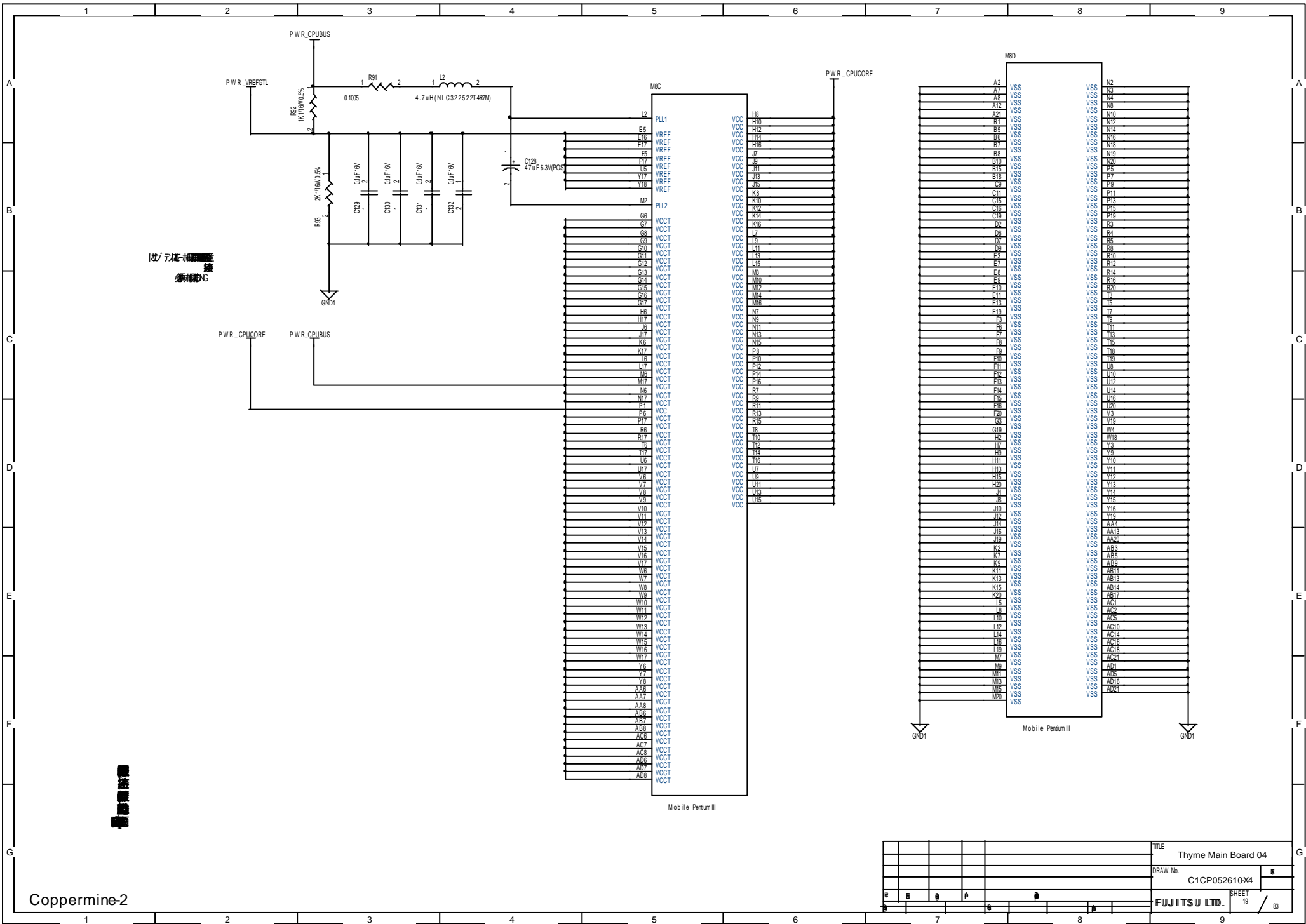


Coppermine-1

富士通

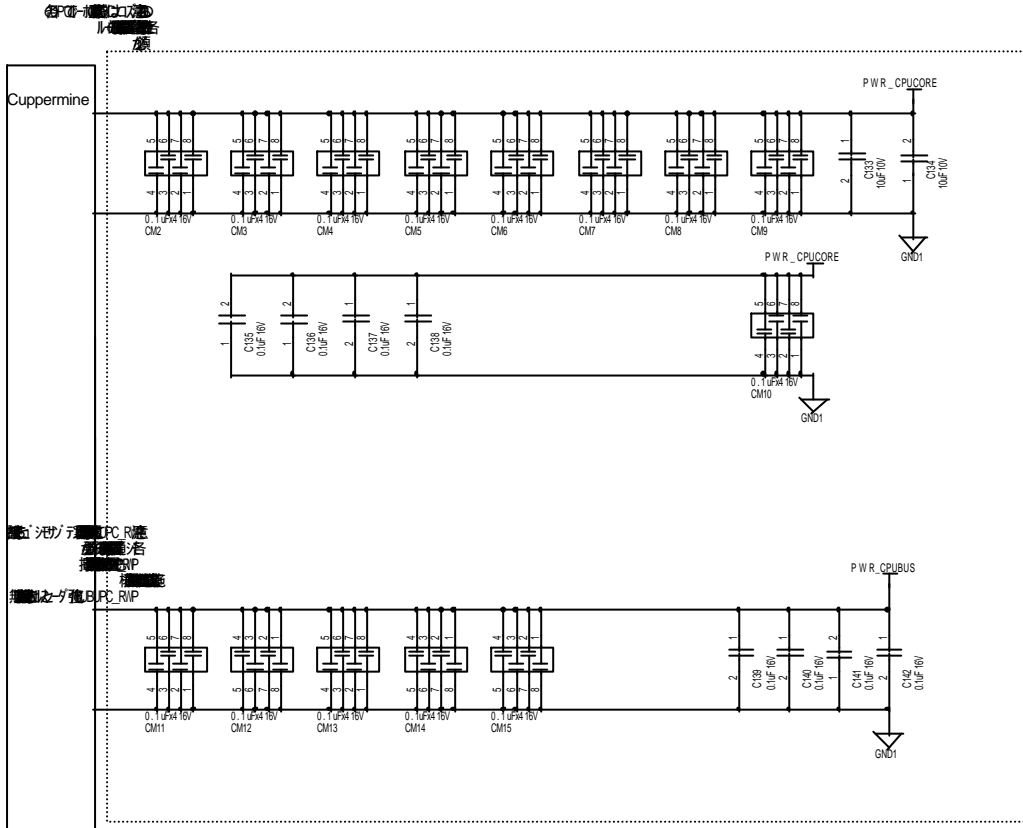


TITLE		Thyme Main Board 04	
DRAW. No.		C1CP052610X4	
FUJITSU LTD.		SHEET 15 / 83	



Coppermine-2

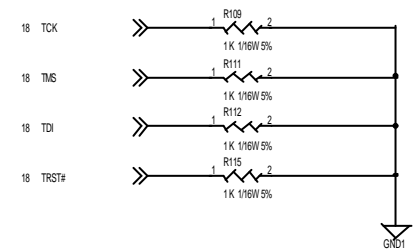
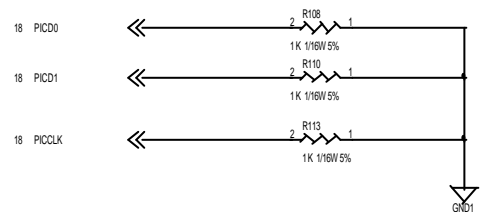
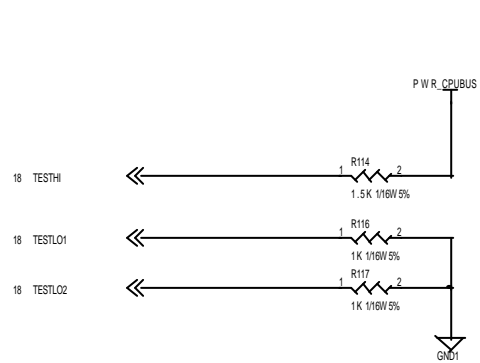
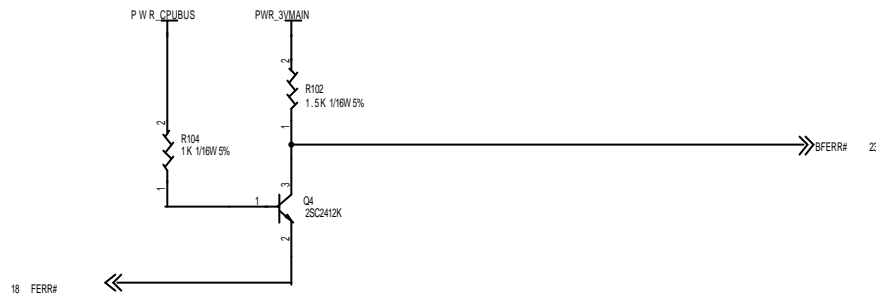
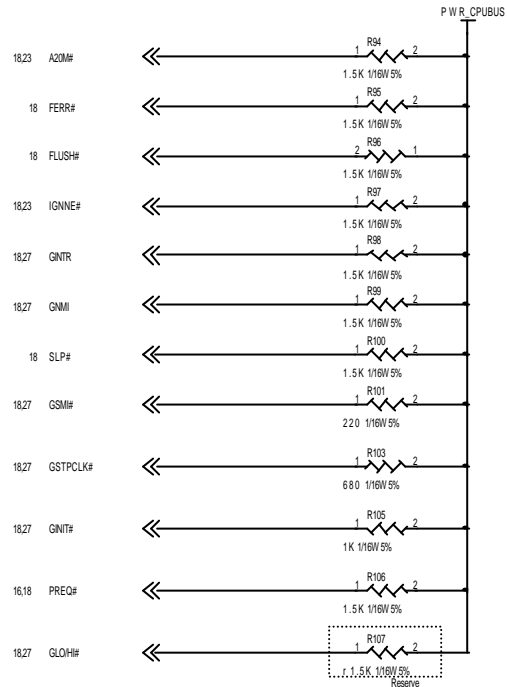
TITLE		Thyme Main Board 04	
DRAW. No.		C1CP052610X4	
FUJITSU LTD.		SHEET 19 / 83	



PassCon for Coppermine

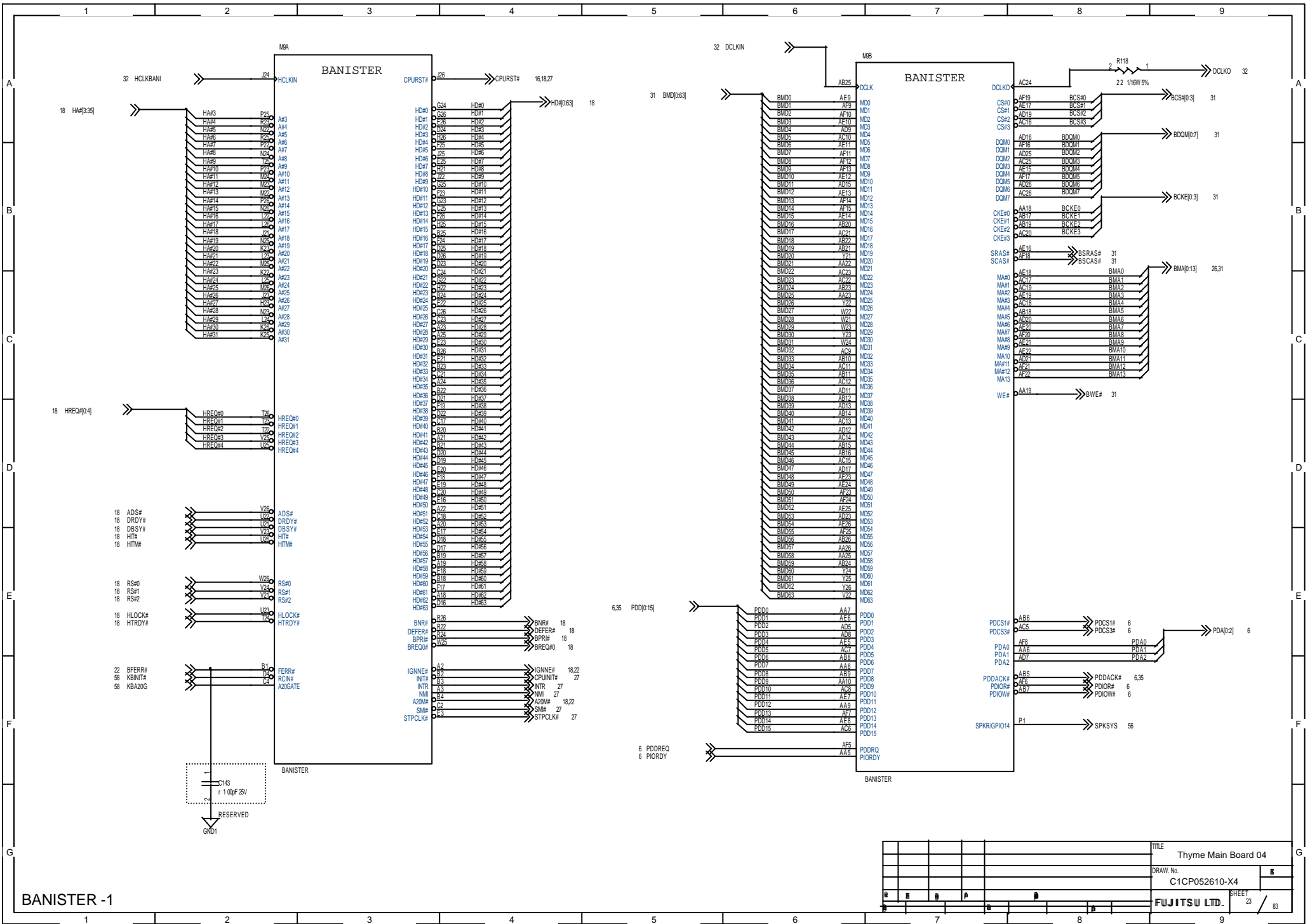
TITLE		Thyme Main Board 04	
DRAW. No.		C1CP052610X4	
FUJITSU LTD.		SHEET 20 / 83	





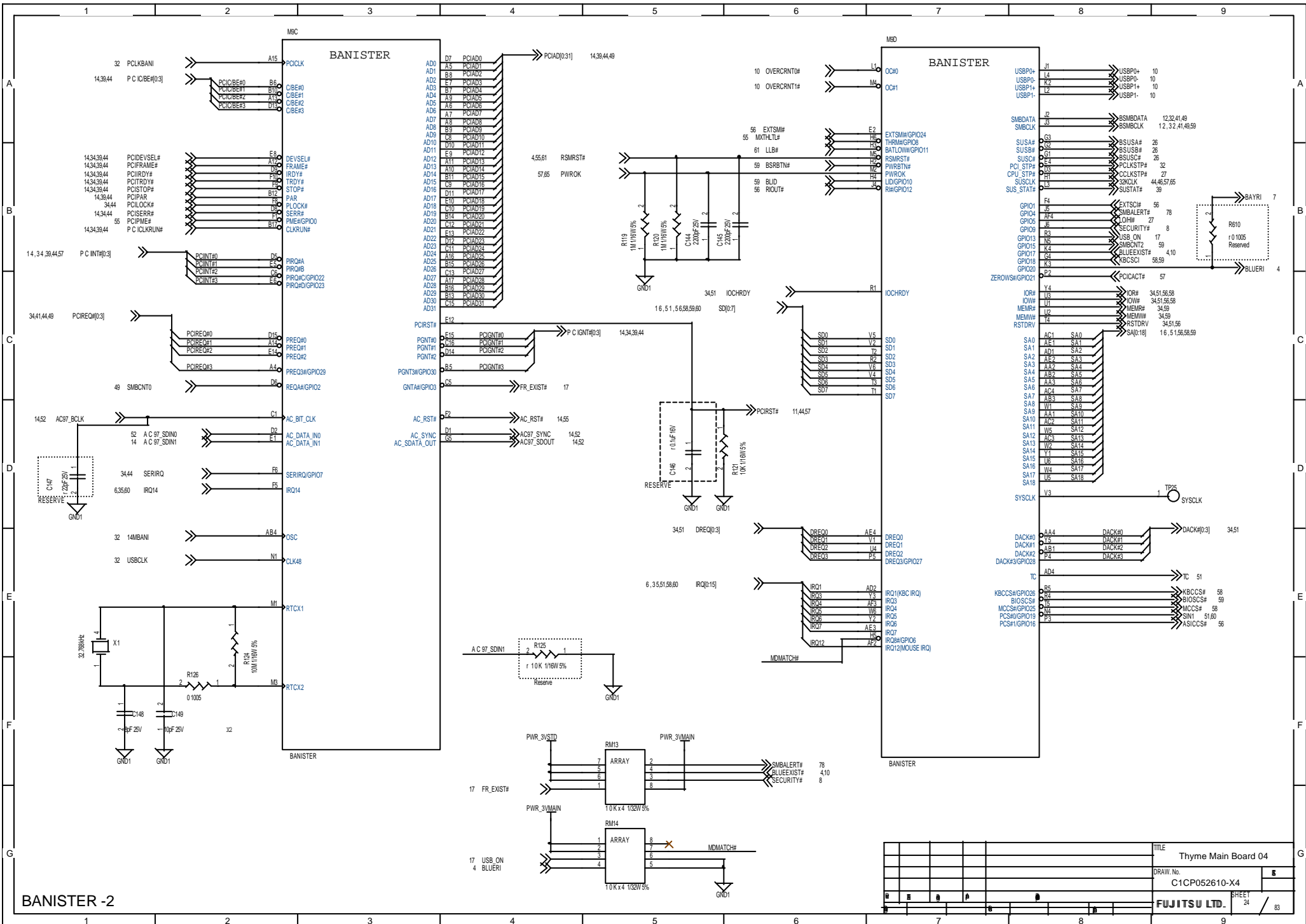
SideBand Signals Pull Up

TITLE		Thyme Main Board 04	
DRAW. No.		C1CP052610-X4	
FUJITSU LTD.		SHEET 22 / 83	



BANISTER -1

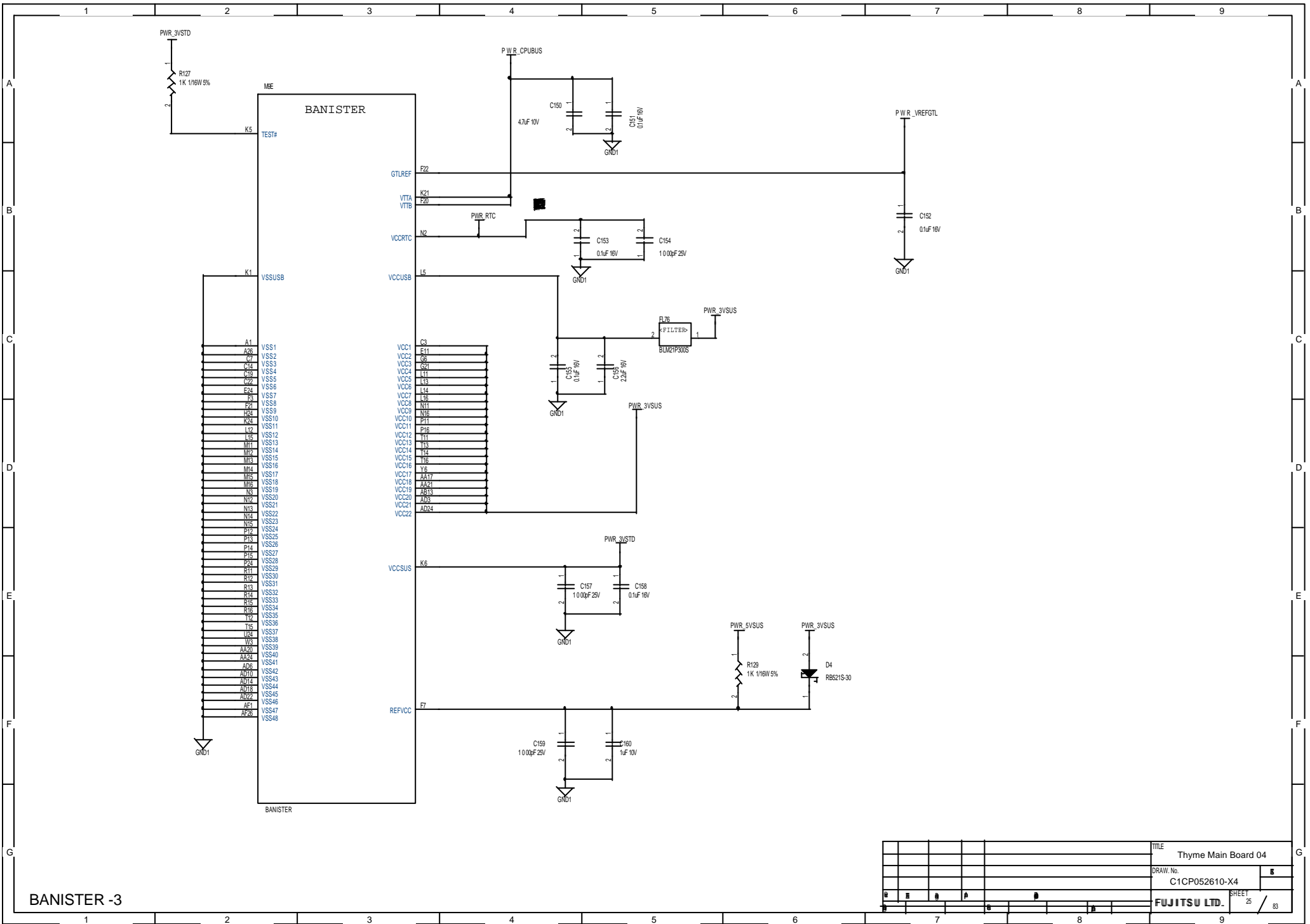
TITLE		Thyme Main Board 04	
DRAW. No.		C1CP052610-X4	
SHEET		23 / 83	
FUJITSU LTD.			



BANISTER -2

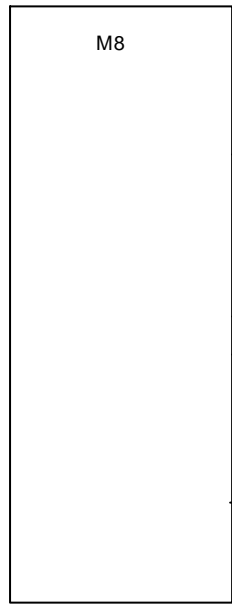
TITLE		Thyme Main Board 04	
DRAW. No.		C1CP052610-X4	
SHEET		24 / 83	
FUJITSU LTD.			



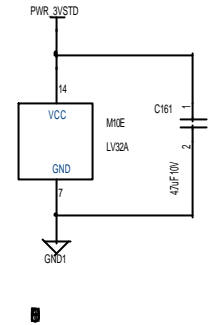
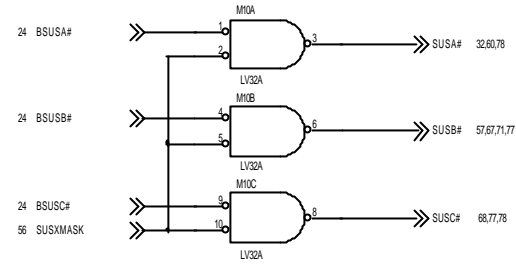
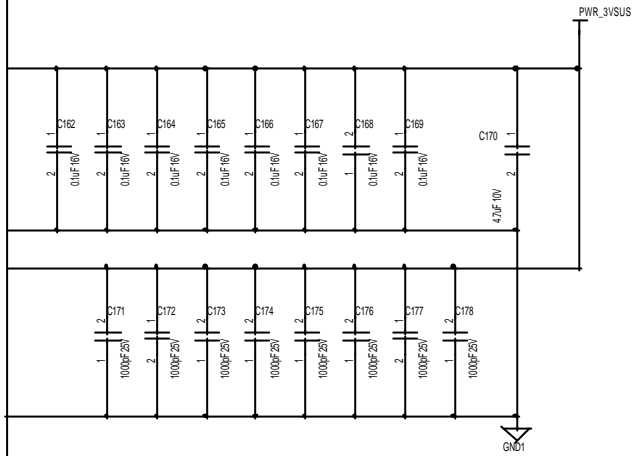


BANISTER -3

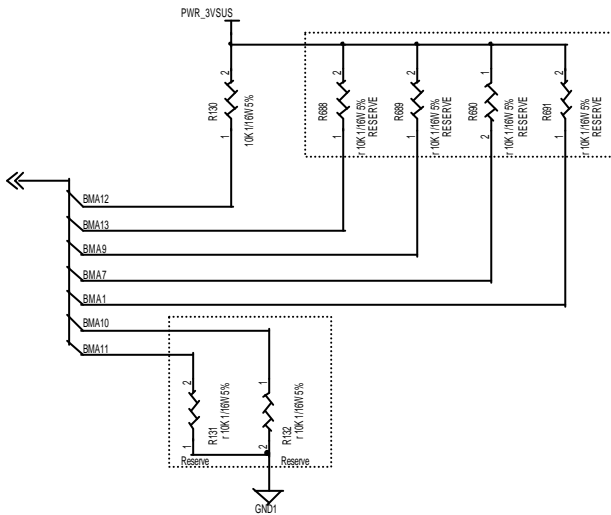
TITLE		Thyme Main Board 04	
DRAW. No.		C1CP052610-X4	
FUJITSU LTD.		SHEET 25 / 83	



BANISTER



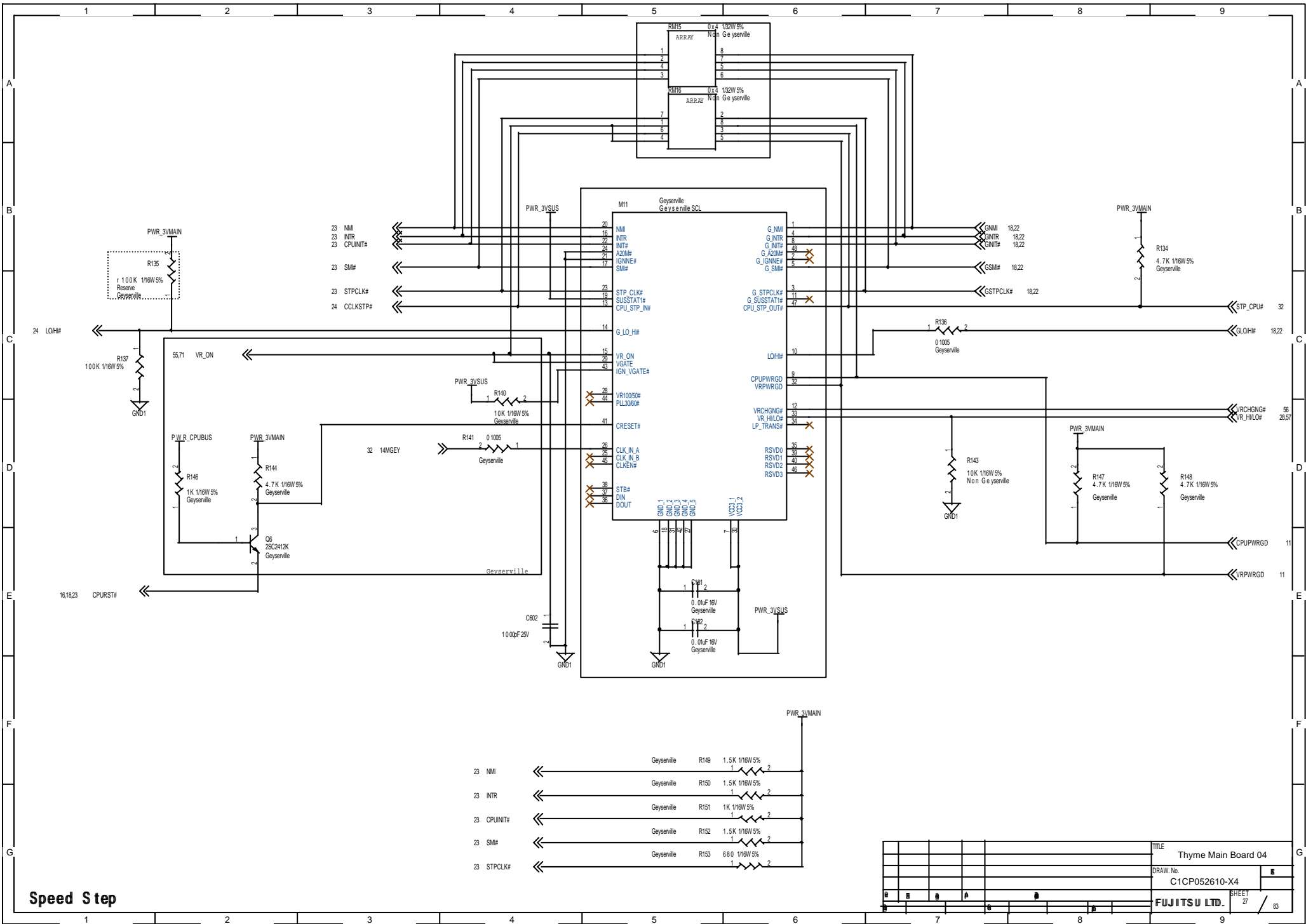
2331 BMA(0:13)



STRAPPING OPTIONS

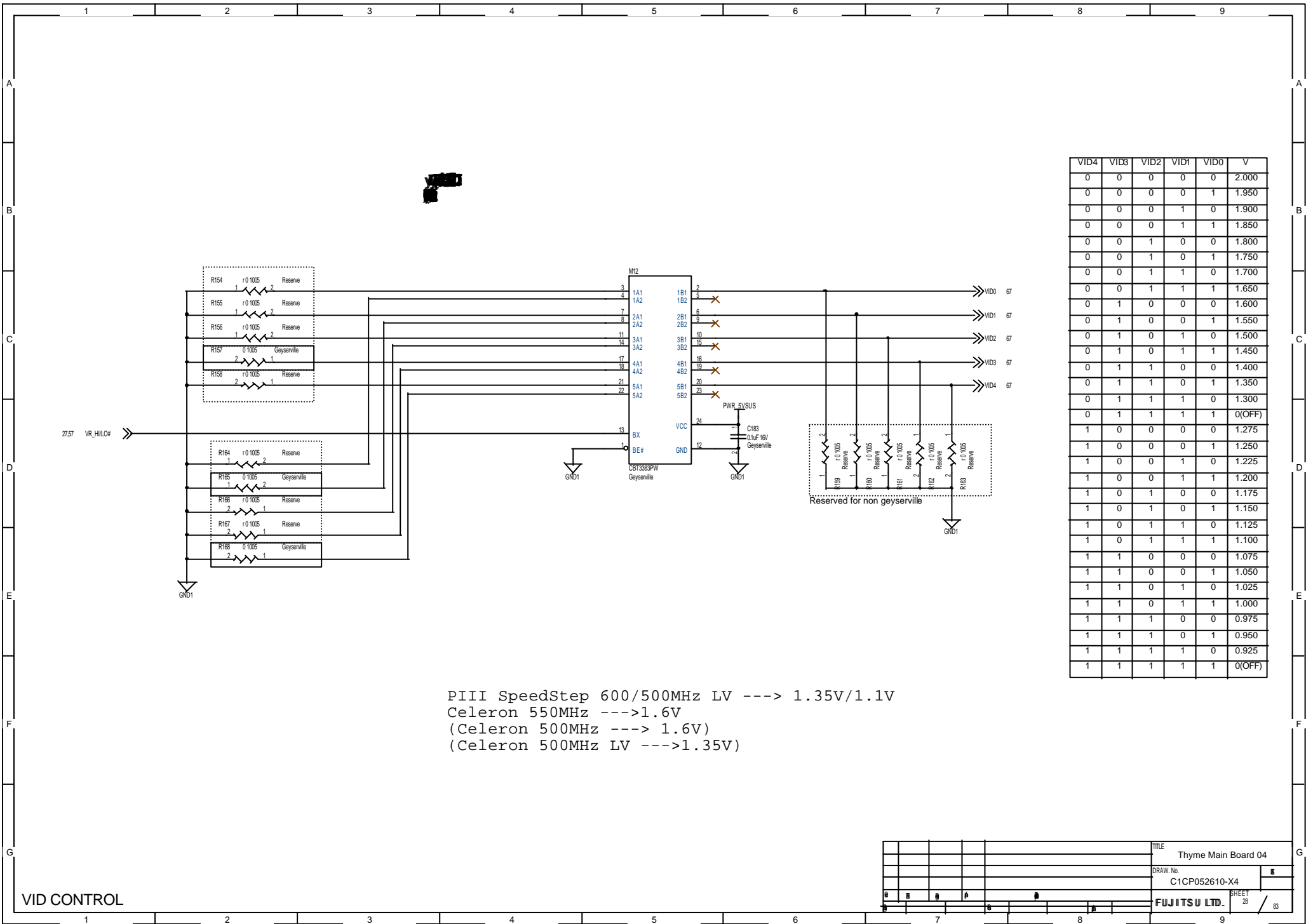
SIGNAL	DESCRIPTION	DEFAULT
MA10	Quick Start/Deep Sleep	PULL UP
MA11	IOQ depth =8	PULL UP
MA12	Host Frequency Select Strap to High = 100MHz	PULL DOWN

Banister Strap Options



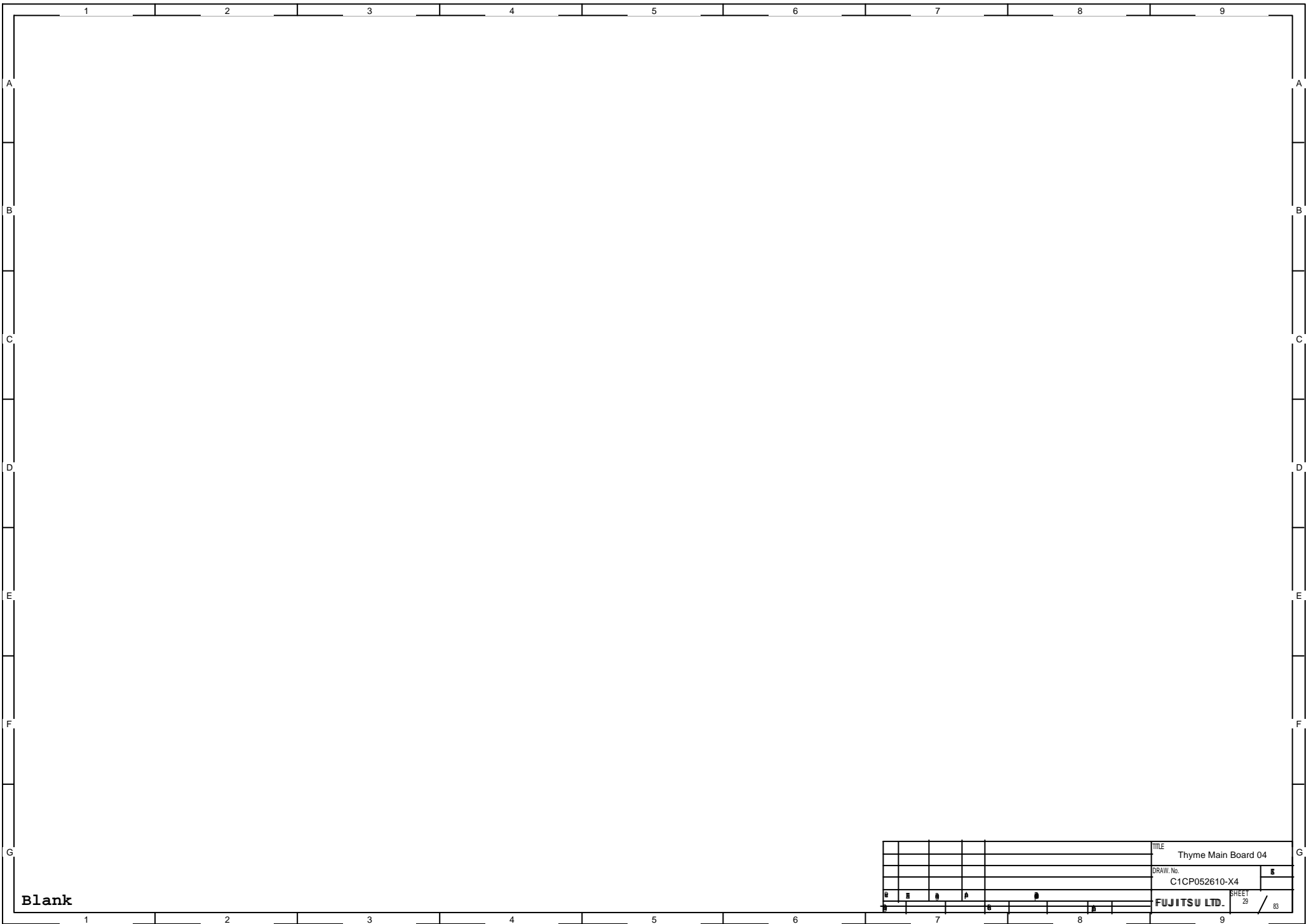
Speed Step

TITLE		Thyme Main Board 04	
DRAW. No.		C1CP052610-X4	
FUJITSU LTD.		SHEET 27 / 83	



VID4	VID3	VID2	VID1	VID0	V
0	0	0	0	0	2.000
0	0	0	0	1	1.950
0	0	0	1	0	1.900
0	0	0	1	1	1.850
0	0	1	0	0	1.800
0	0	1	0	1	1.750
0	0	1	1	0	1.700
0	0	1	1	1	1.650
0	1	0	0	0	1.600
0	1	0	0	1	1.550
0	1	0	1	0	1.500
0	1	0	1	1	1.450
0	1	1	0	0	1.400
0	1	1	0	1	1.350
0	1	1	1	0	1.300
0	1	1	1	1	0(OFF)
1	0	0	0	0	1.275
1	0	0	0	1	1.250
1	0	0	1	0	1.225
1	0	0	1	1	1.200
1	0	1	0	0	1.175
1	0	1	0	1	1.150
1	0	1	1	0	1.125
1	0	1	1	1	1.100
1	1	0	0	0	1.075
1	1	0	0	1	1.050
1	1	0	1	0	1.025
1	1	0	1	1	1.000
1	1	1	0	0	0.975
1	1	1	0	1	0.950
1	1	1	1	0	0.925
1	1	1	1	1	0(OFF)

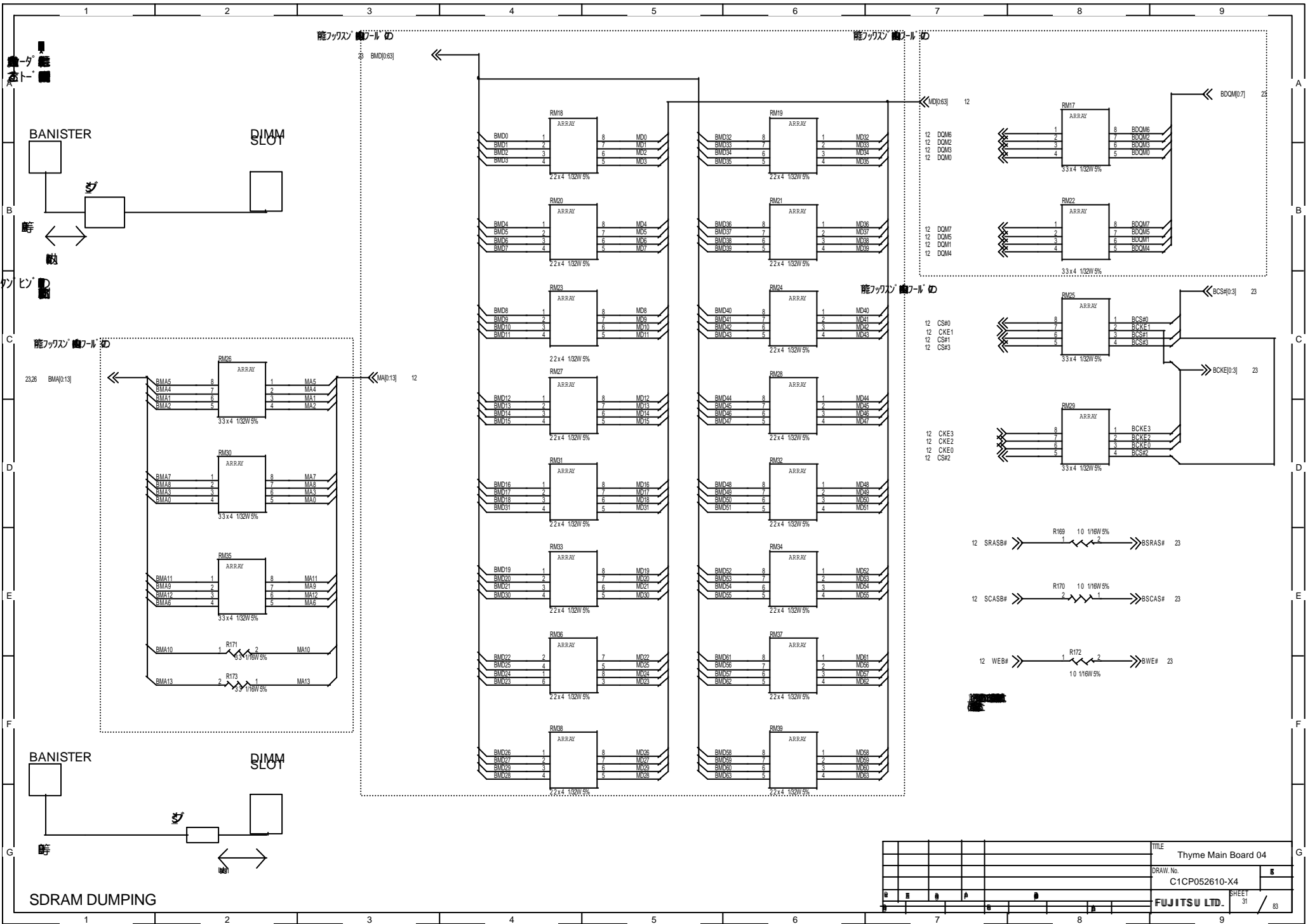
TITLE		Thyme Main Board 04	
DRAW. No.		C1CP052610-X4	
FUJITSU LTD.		SHEET 28 / 83	



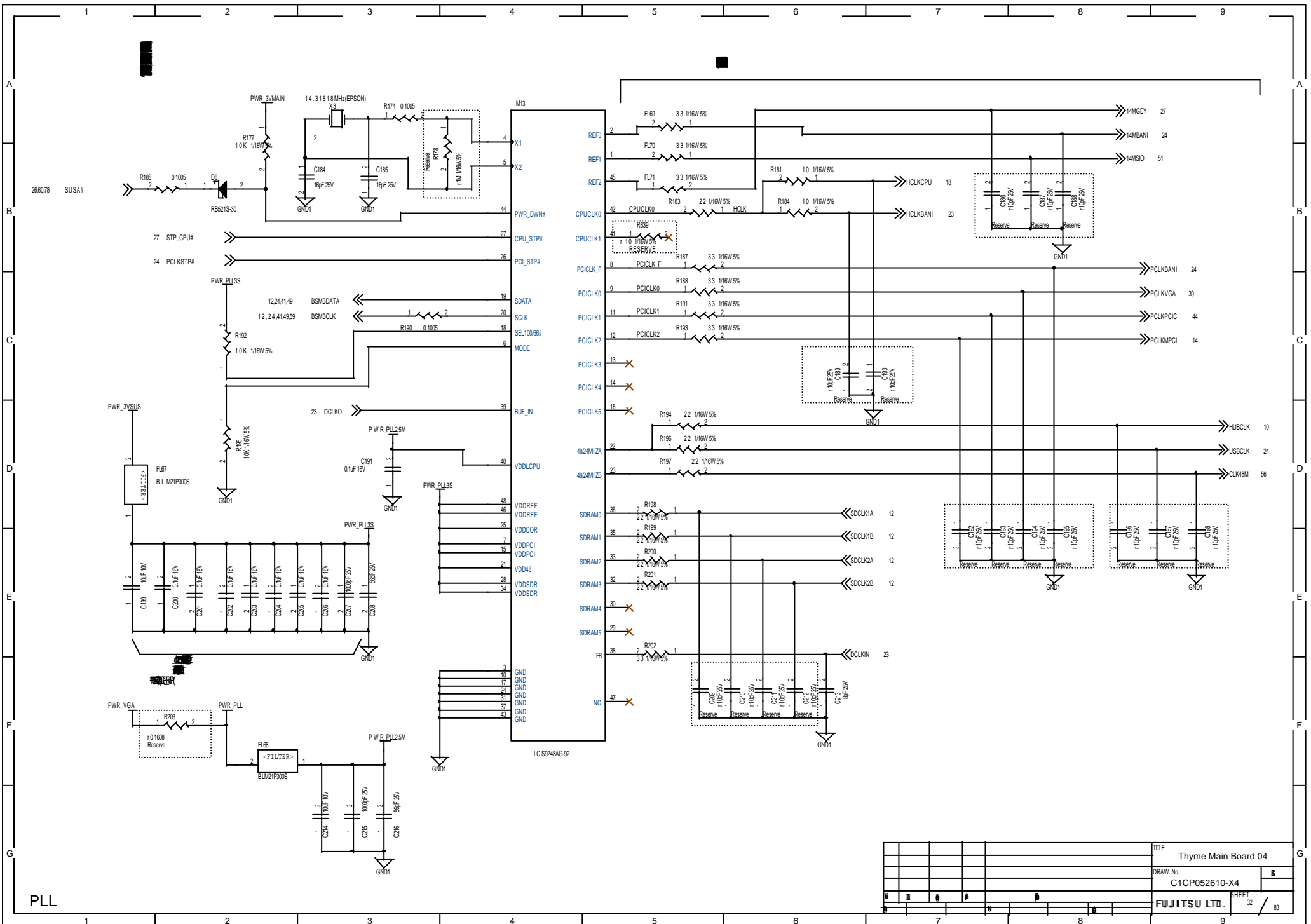
Blank

								TITLE	Thyme Main Board 04
								DRAW. No.	C1CP052610-X4
								<b>FUJITSU LTD.</b>	SHEET 29 / 83





TITLE		Thyme Main Board 04	
DRAW. No.		C1CP052610-X4	
FUJITSU LTD.		SHEET 31 / 83	



TITLE		Thyme Main Board 04	
DRAW. No.		C1CP052610-X4	
SHEET		32 / 83	
FUJITSU LTD.			





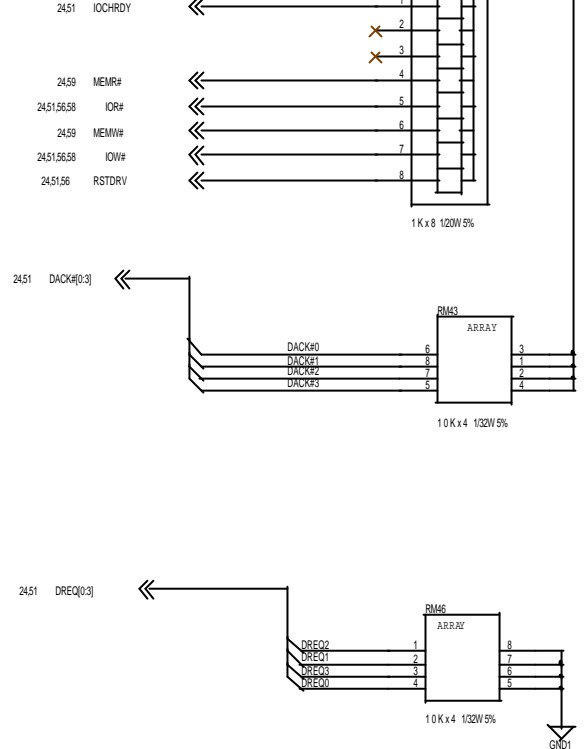
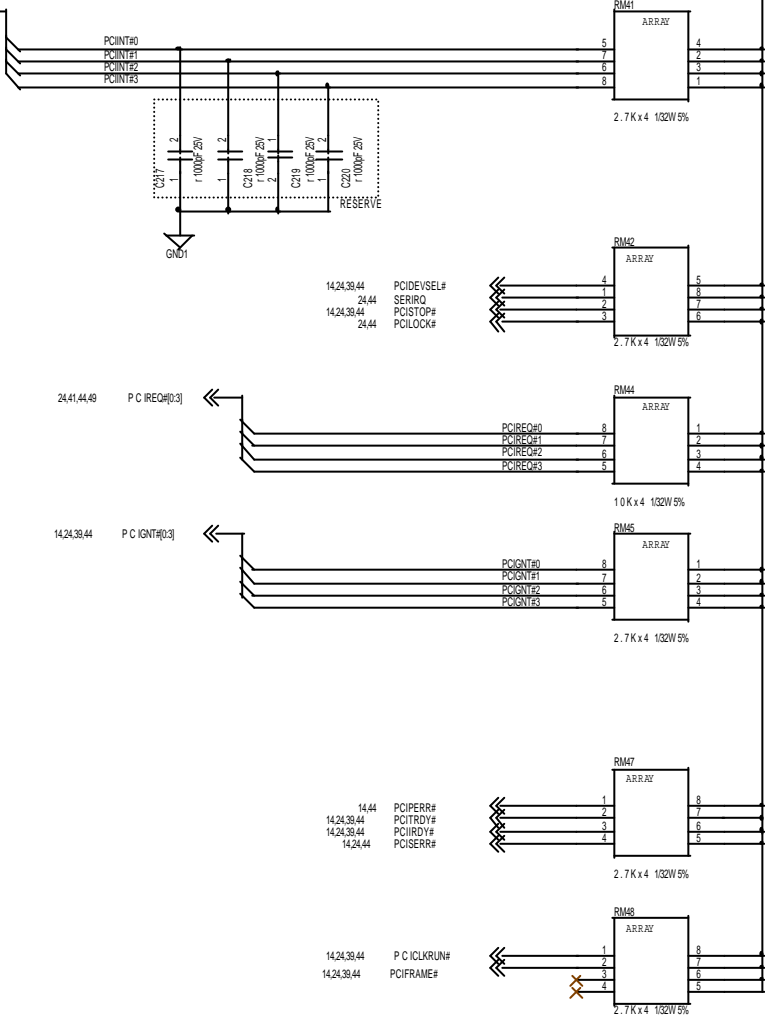
PULL-UPS for PCI

PWR\_3VMAIN

PULL-UPS for E-I/O

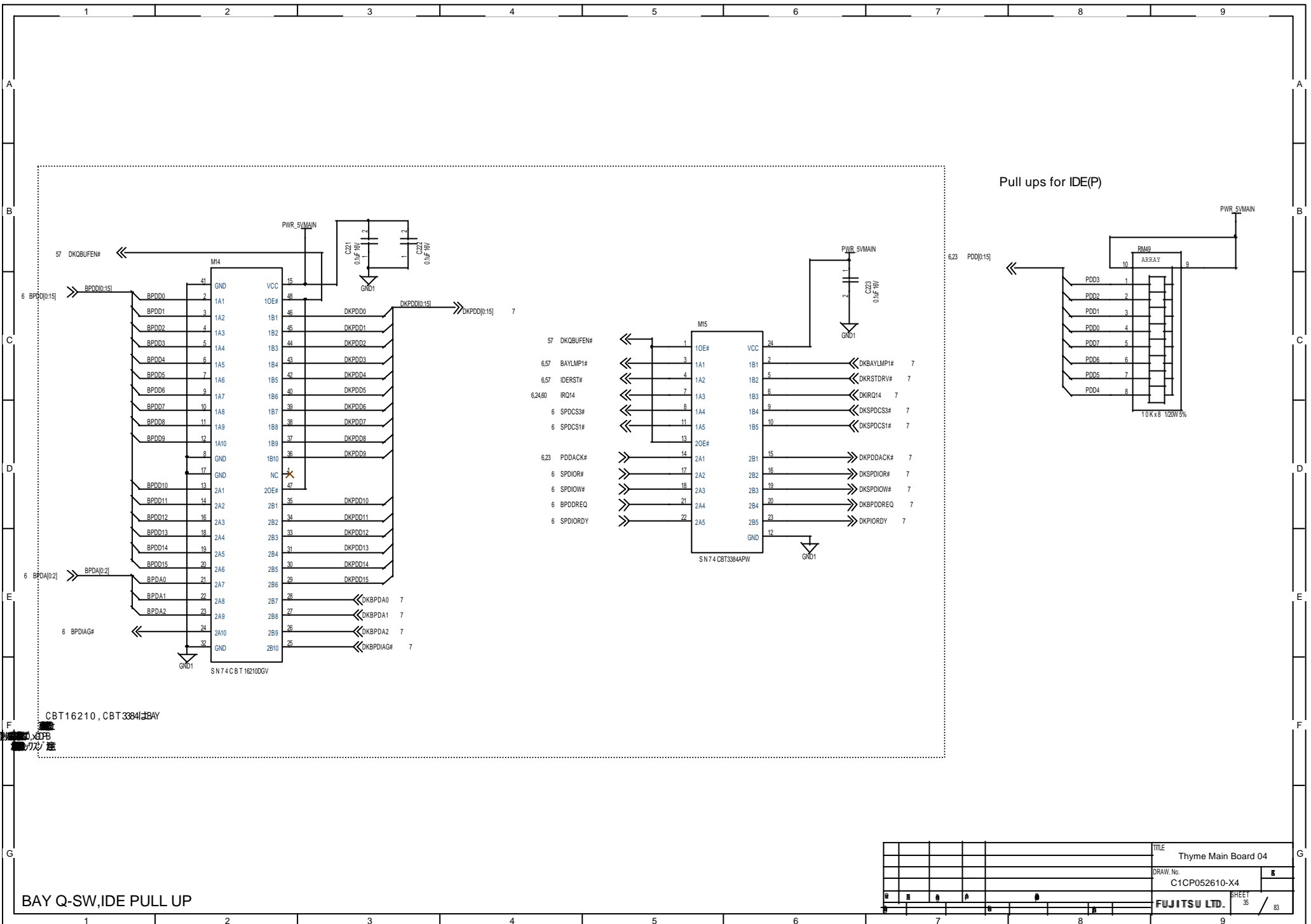
PWR\_5VMAIN

14, 24, 38, 44, 57 POINT#(0:3)



PULL UP

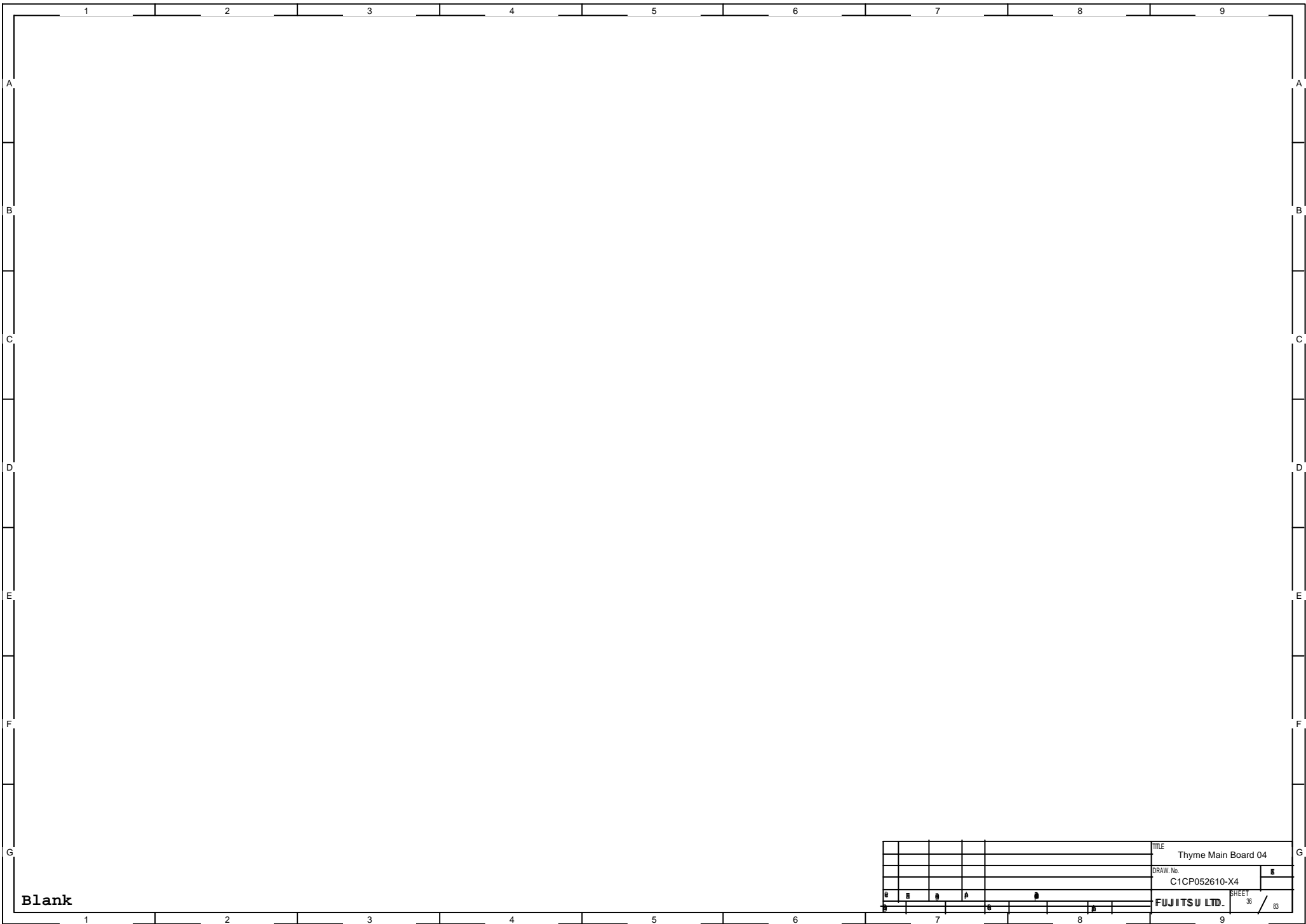
TITLE		Thyme Main Board 04	
DRAW. No.		C1CP052610-X4	
FUJITSU LTD.		SHEET 34 / 83	



CBT16210, CBT3384APW

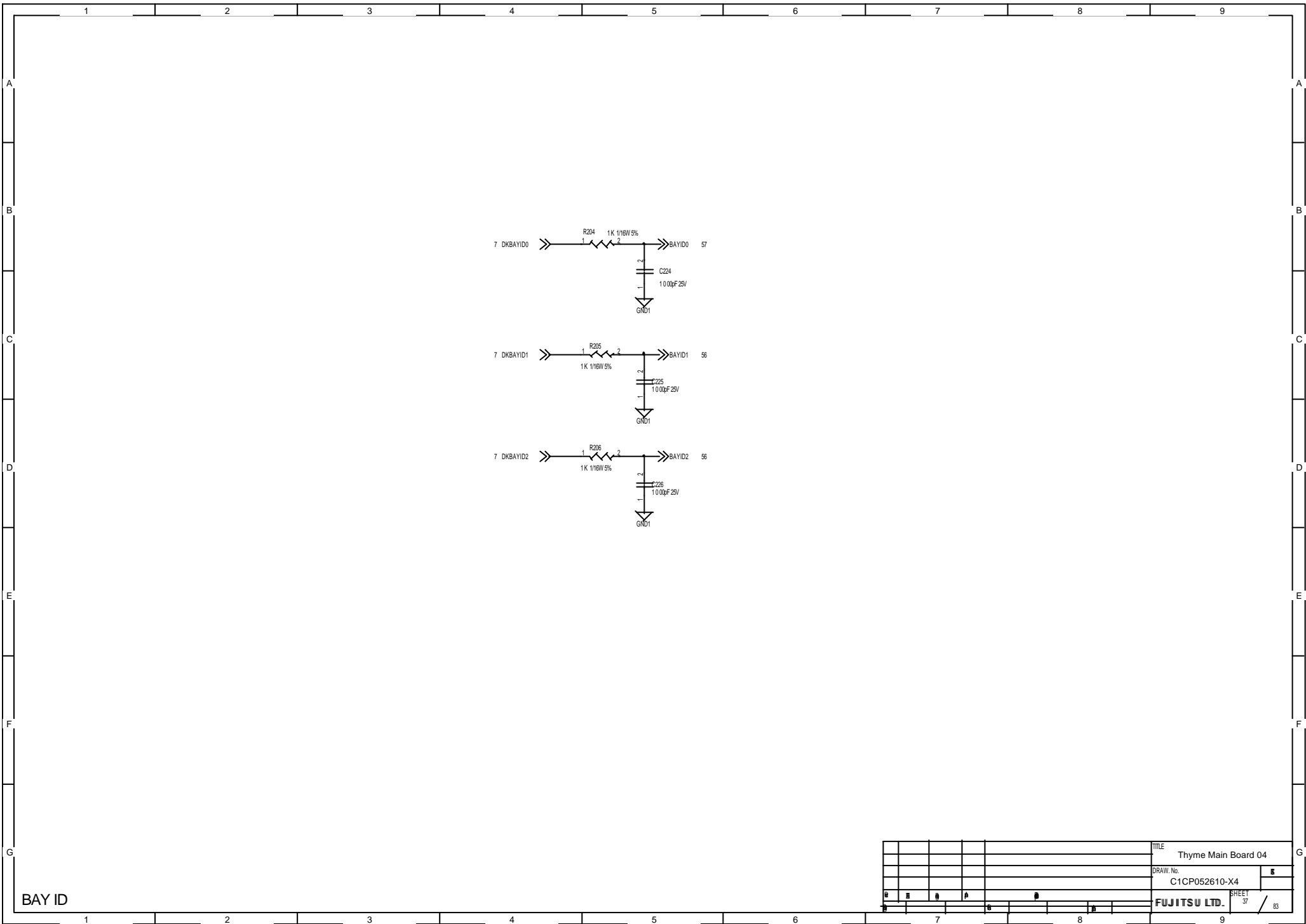
BAY Q-SW, IDE PULL UP

TITLE		Thyme Main Board 04	
DRAW. No.		C1CP052610-X4	
FUJITSU LTD.		SHEET 35 / 83	



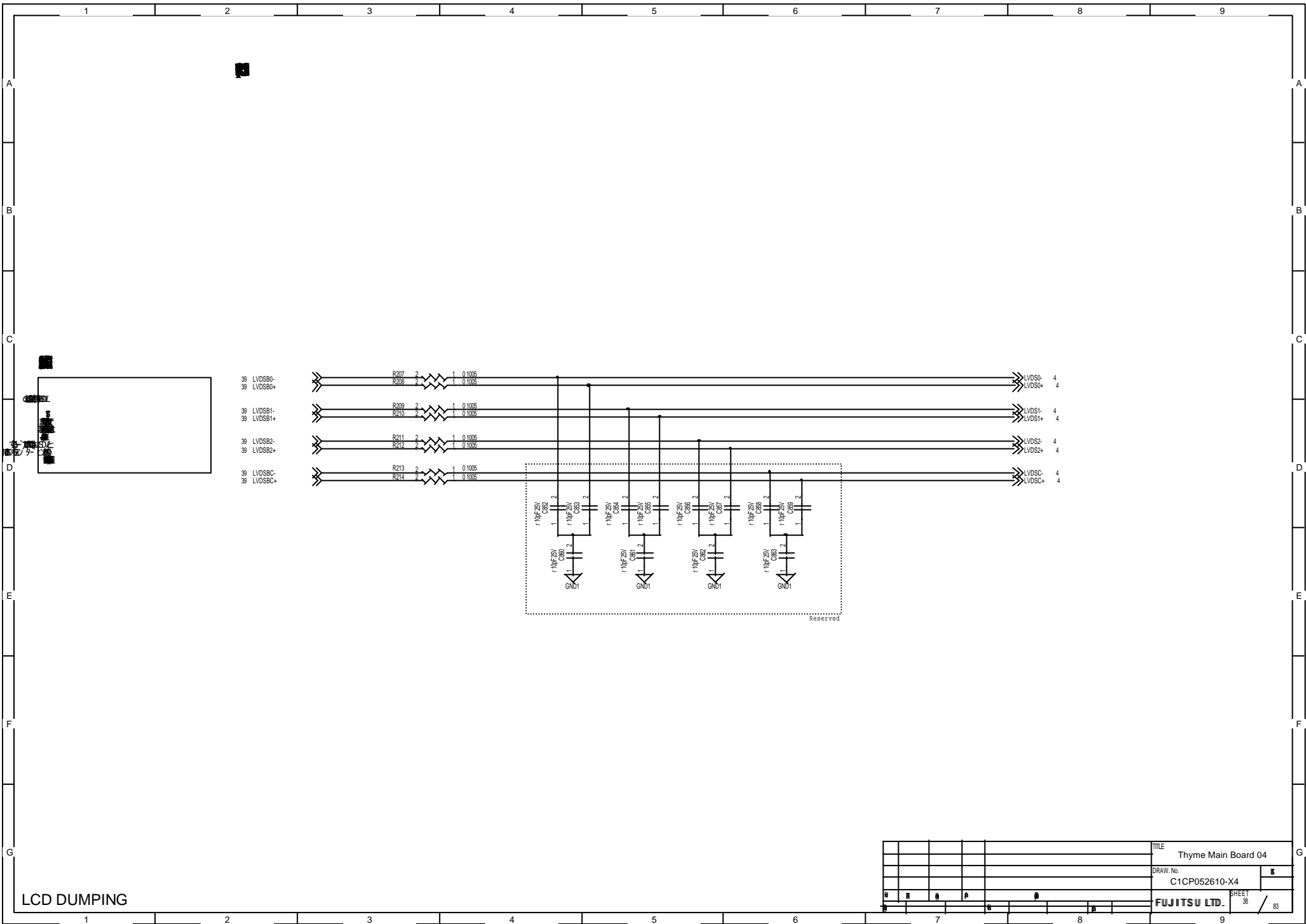
Blank

									TITLE	Thyme Main Board 04
									DRAW. No.	C1CP052610-X4
									DATE	
									DESIGNER	
									APPROVER	
									DATE	
									SCALE	
									PROJECT	
									SHEET	36 / 83
									COMPANY	FUJITSU LTD.



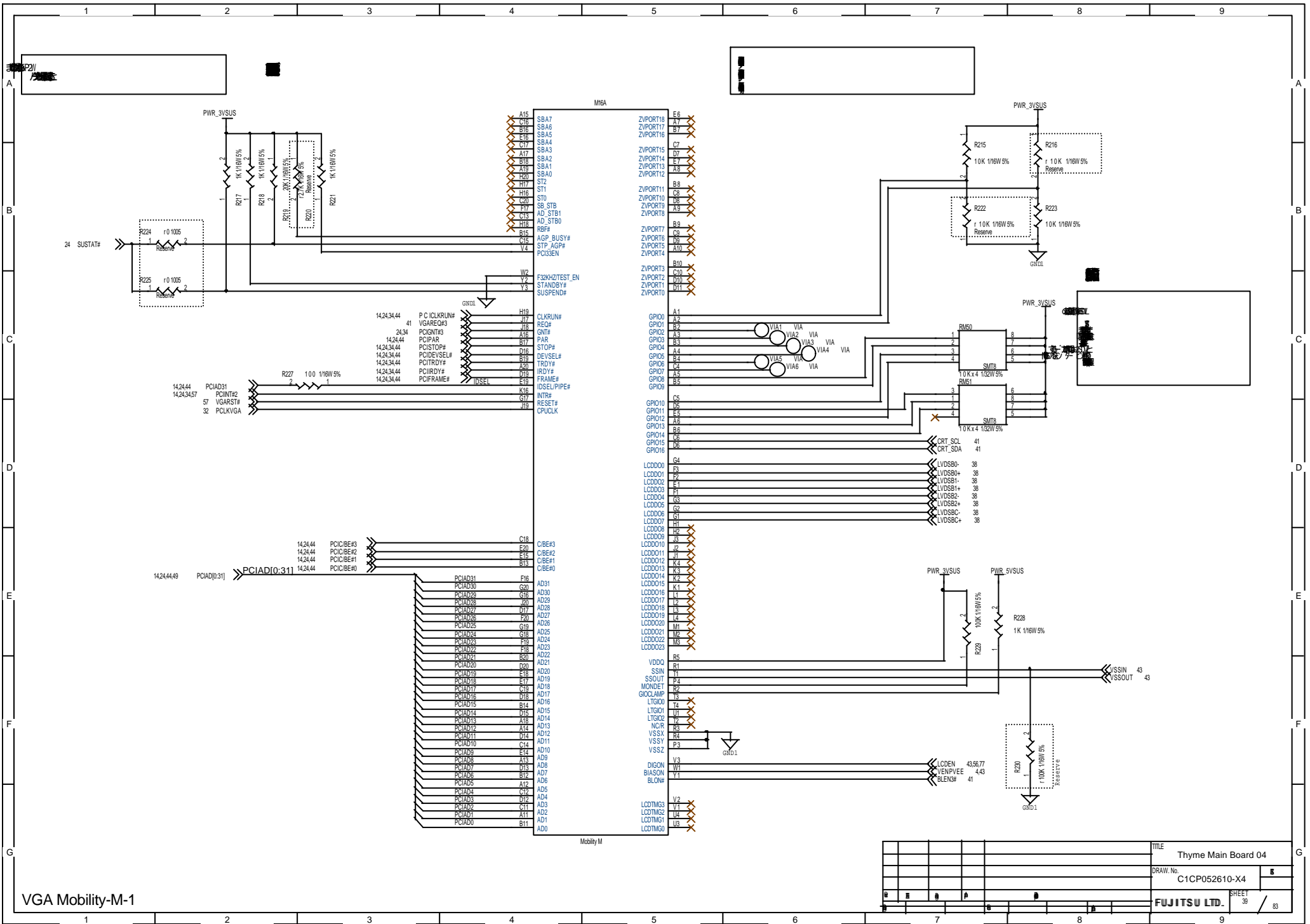
BAY ID

TITLE		Thyme Main Board 04	
DRAW. No.		C1CP052610-X4	
FUJITSU LTD.		SHEET 37 / 83	



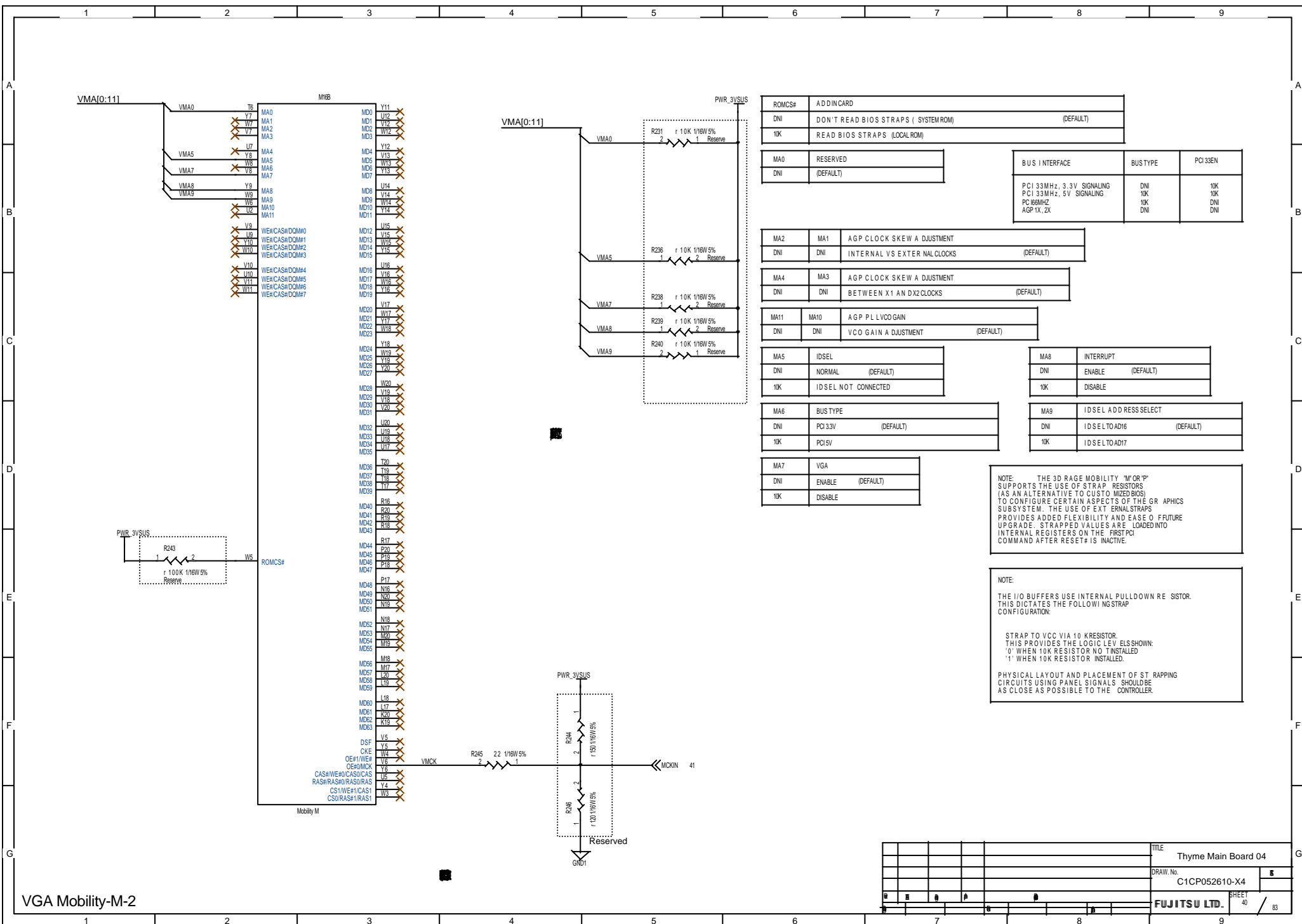
LCD DUMPING

TITLE		Thyme Main Board 04	
DRAW. No.		C1CP052610-X4	
FUJITSU LTD.		SHEET 38 / 83	



VGA Mobility-M-1

TITLE		Thyme Main Board 04
DRAW. No.		C1CP052610-X4
FUJITSU LTD.		SHEET 39 / 83



ROMCS#	ADDINCARD
DNI	DON'T READ BIOS STRAPS ( SYSTEMROM) (DEFAULT)
10K	READ BIOS STRAPS (LOCAL ROM)

MA0	RESERVED
DNI	(DEFAULT)

BUS INTERFACE	BUSTYPE	PCI33EN
PCI 33MHz, 3.3V SIGNALING	DNI 10K	10K
PCI 33MHz, 5V SIGNALING	10K DNI	10K DNI
PC166MHz	10K DNI	DNI
AGP 1X, 2X	DNI	DNI

MA2	MA1	AGP CLOCK SKEW ADJUSTMENT
DNI	DNI	INTERNAL VS EXTERNAL CLOCKS (DEFAULT)

MA4	MA3	AGP CLOCK SKEW ADJUSTMENT
DNI	DNI	BETWEEN X1 AND X2 CLOCKS (DEFAULT)

MA11	MA10	AGP PLL VCO GAIN
DNI	DNI	VCO GAIN ADJUSTMENT (DEFAULT)

MA5	IDSEL
DNI	NORMAL (DEFAULT)
10K	IDSEL NOT CONNECTED

MA8	INTERRUPT
DNI	ENABLE (DEFAULT)
10K	DISABLE

MA6	BUS TYPE
DNI	PCI 33V (DEFAULT)
10K	PCI 5V

MA9	IDSEL ADDRESS SELECT
DNI	IDSEL TO AD16 (DEFAULT)
10K	IDSEL TO AD17

MA7	VGA
DNI	ENABLE (DEFAULT)
10K	DISABLE

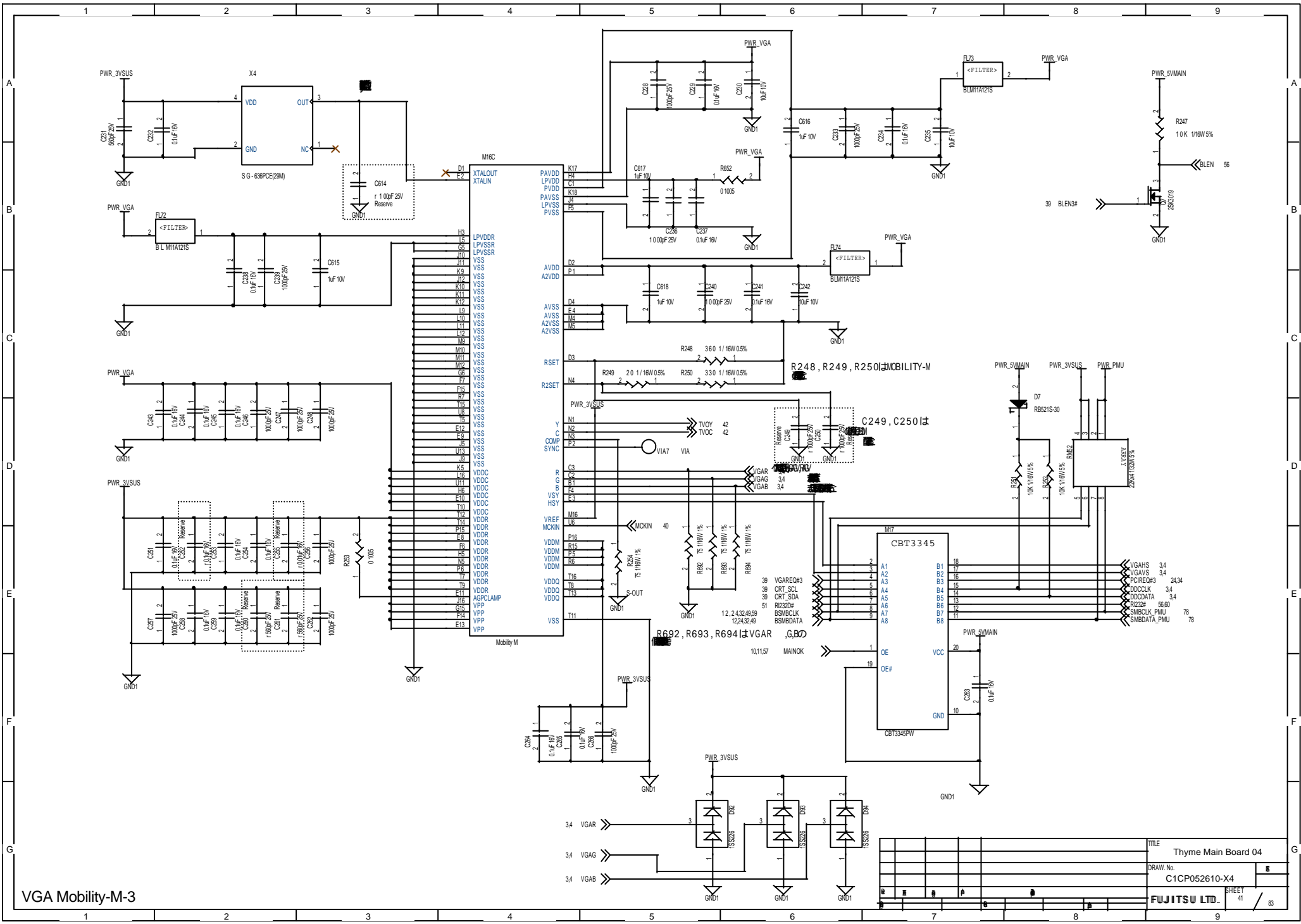
NOTE: THE 3D RAGE MOBILITY "M" OR "P" SUPPORTS THE USE OF STRAP RESISTORS (AS AN ALTERNATIVE TO CUSTOMIZED BIOS) TO CONFIGURE CERTAIN ASPECTS OF THE GRAPHICS SUBSYSTEM. THE USE OF EXTERNAL STRAPS PROVIDES ADDED FLEXIBILITY AND EASE OF FUTURE UPGRADE. STRAPPED VALUES ARE LOADED INTO INTERNAL REGISTERS ON THE FIRST PCI COMMAND AFTER RESET# IS INACTIVE.

NOTE: THE I/O BUFFERS USE INTERNAL PULLDOWN RESISTOR. THIS DICTATES THE FOLLOWING STRAP CONFIGURATION:

STRAP TO VCC VIA 10 K RESISTOR. THIS PROVIDES THE LOGIC LEVELS SHOWN:  
 '0' WHEN 10K RESISTOR NOT INSTALLED  
 '1' WHEN 10K RESISTOR INSTALLED.

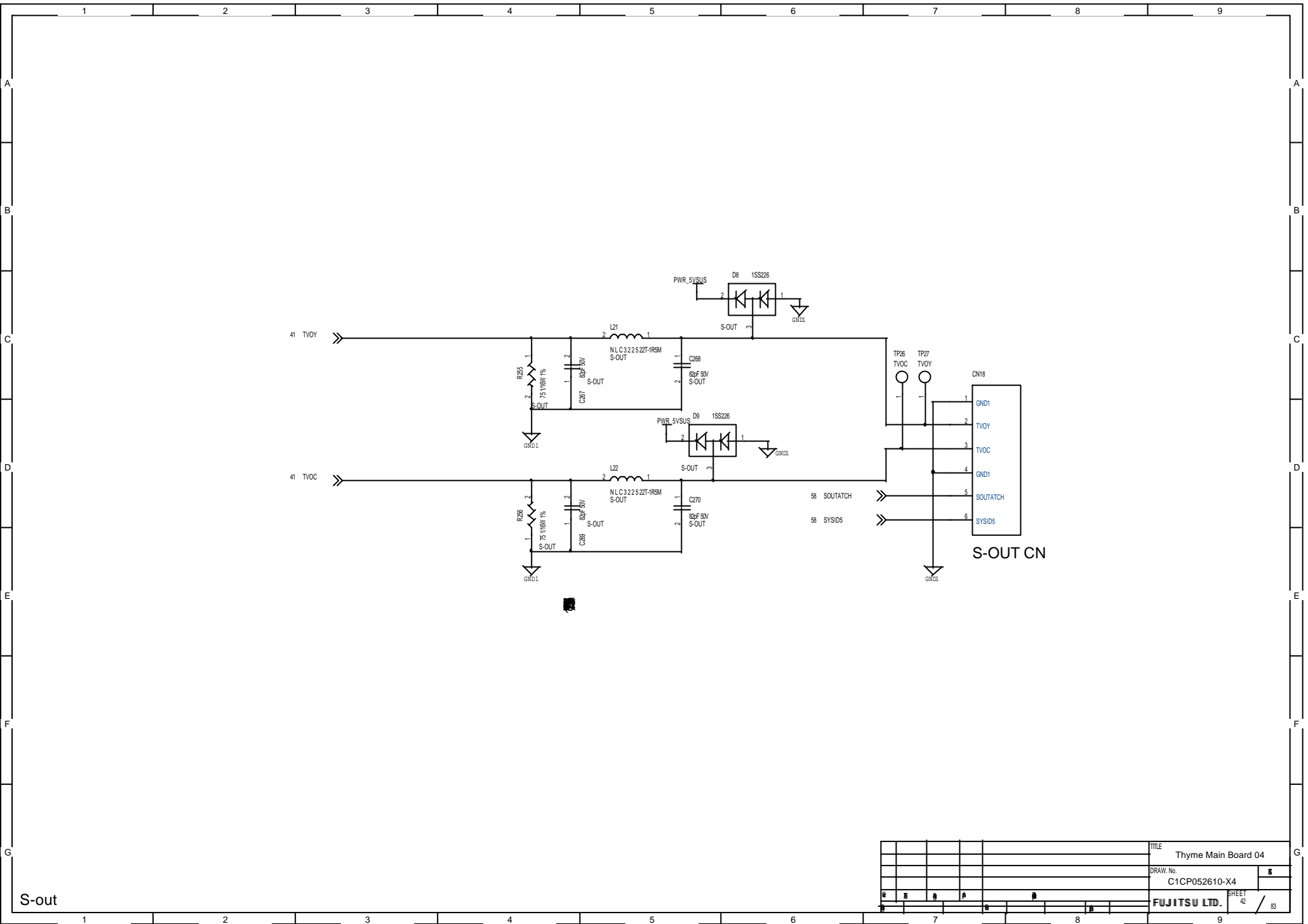
PHYSICAL LAYOUT AND PLACEMENT OF STRAPPING CIRCUITS USING PANEL SIGNALS SHOULD BE AS CLOSE AS POSSIBLE TO THE CONTROLLER.





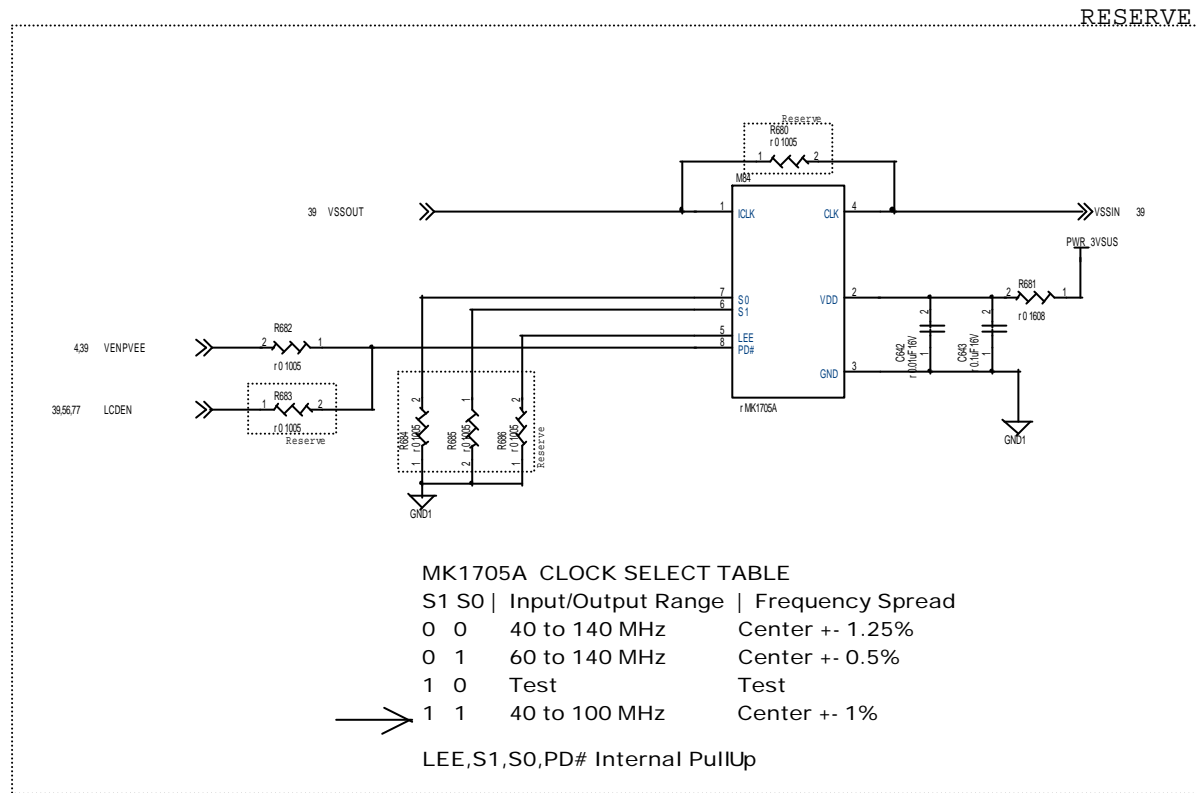
VGA Mobility-M-3

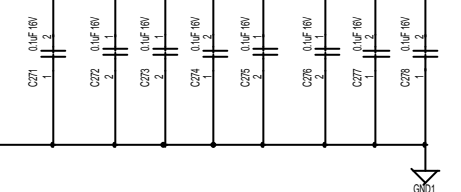
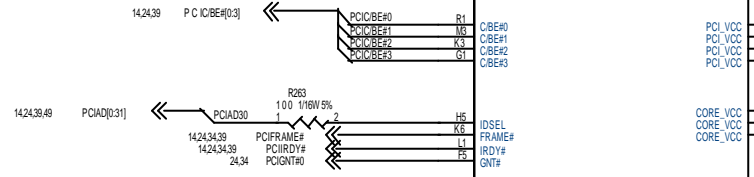
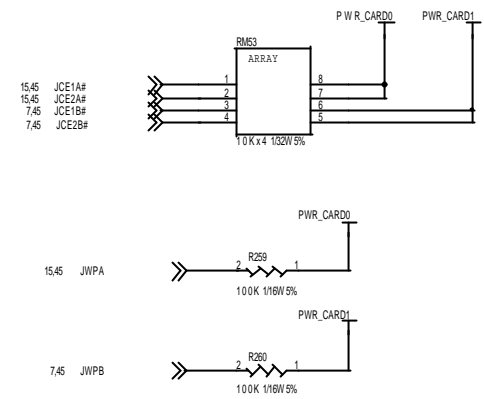
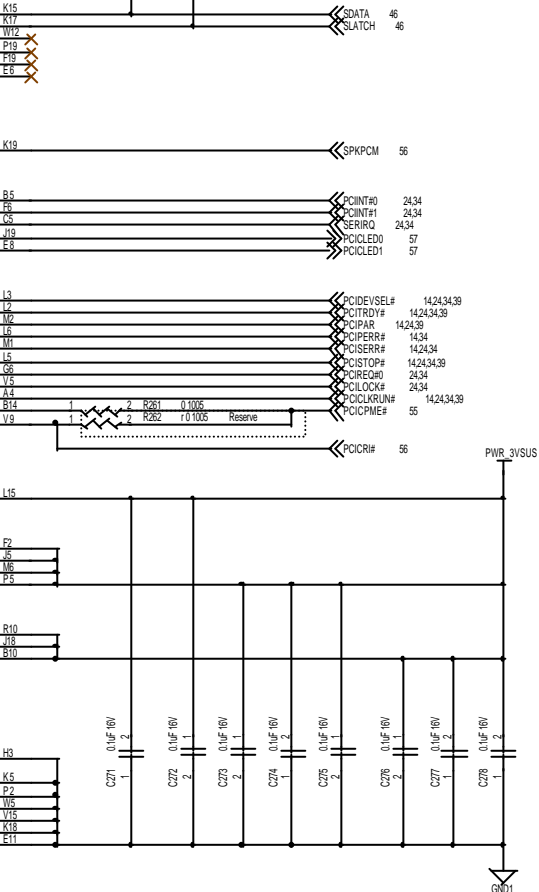
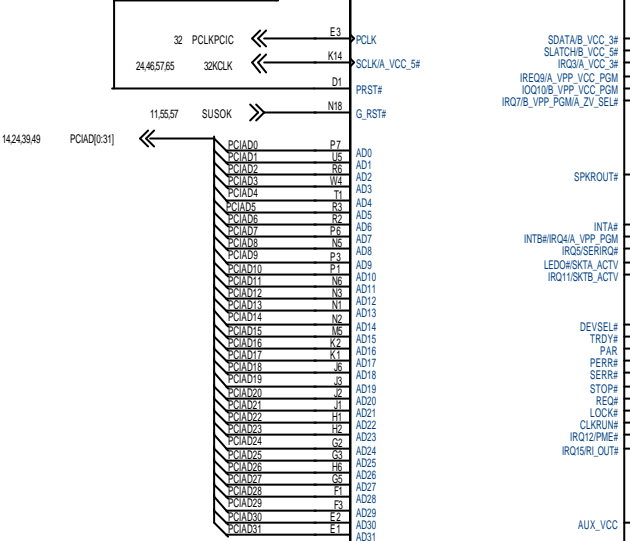
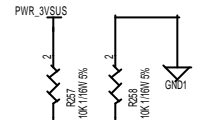
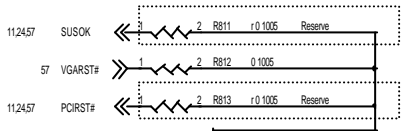
TITLE		Thyme Main Board 04	
DRAW. No.		C1CP052610-X4	
SHEET		41 / 83	
FUJITSU LTD.			



S-out

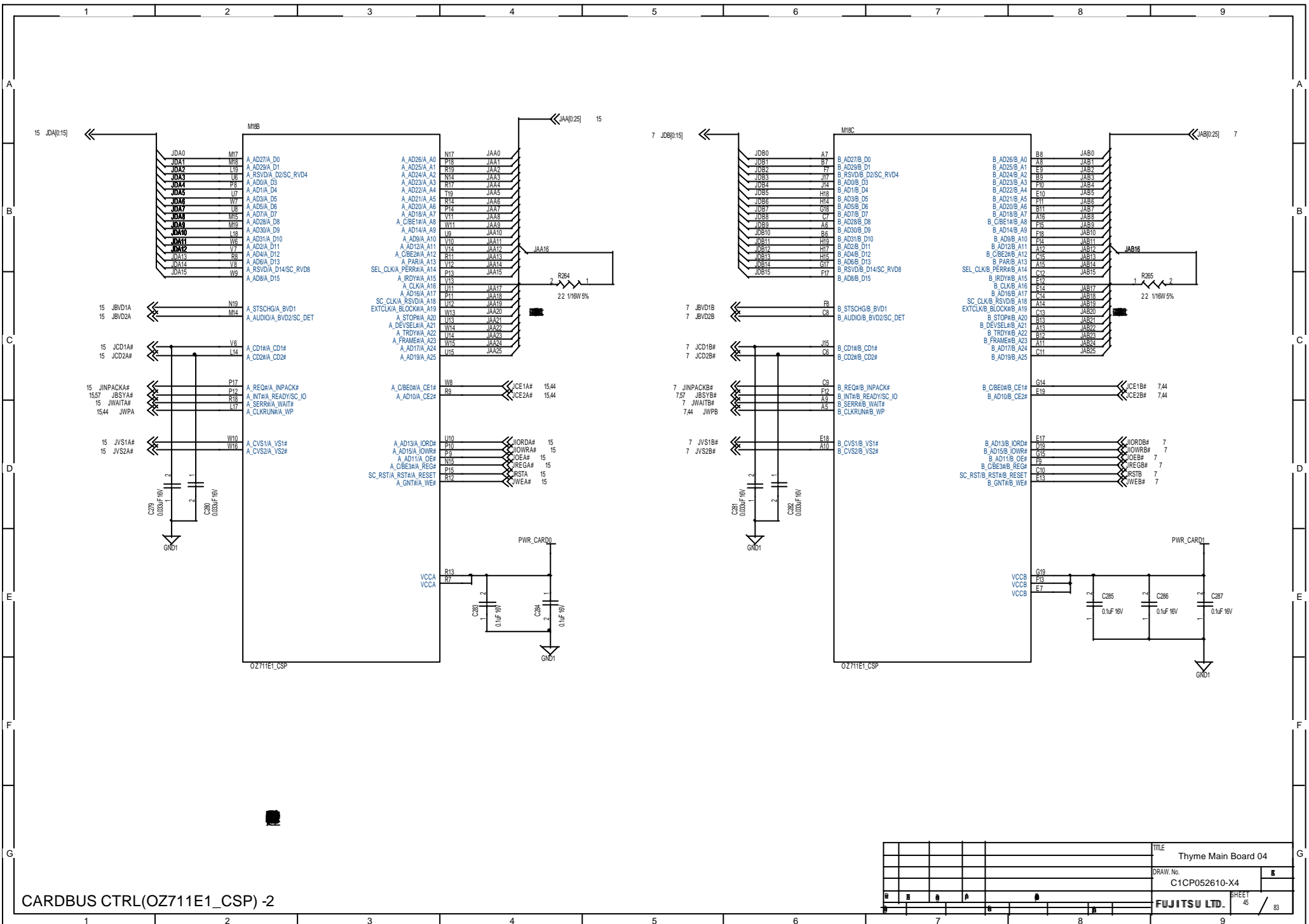
TITLE		Thyme Main Board 04	
DRAW. No.		C1CP052610-X4	
FUJITSU LTD.		SHEET 42 / 83	





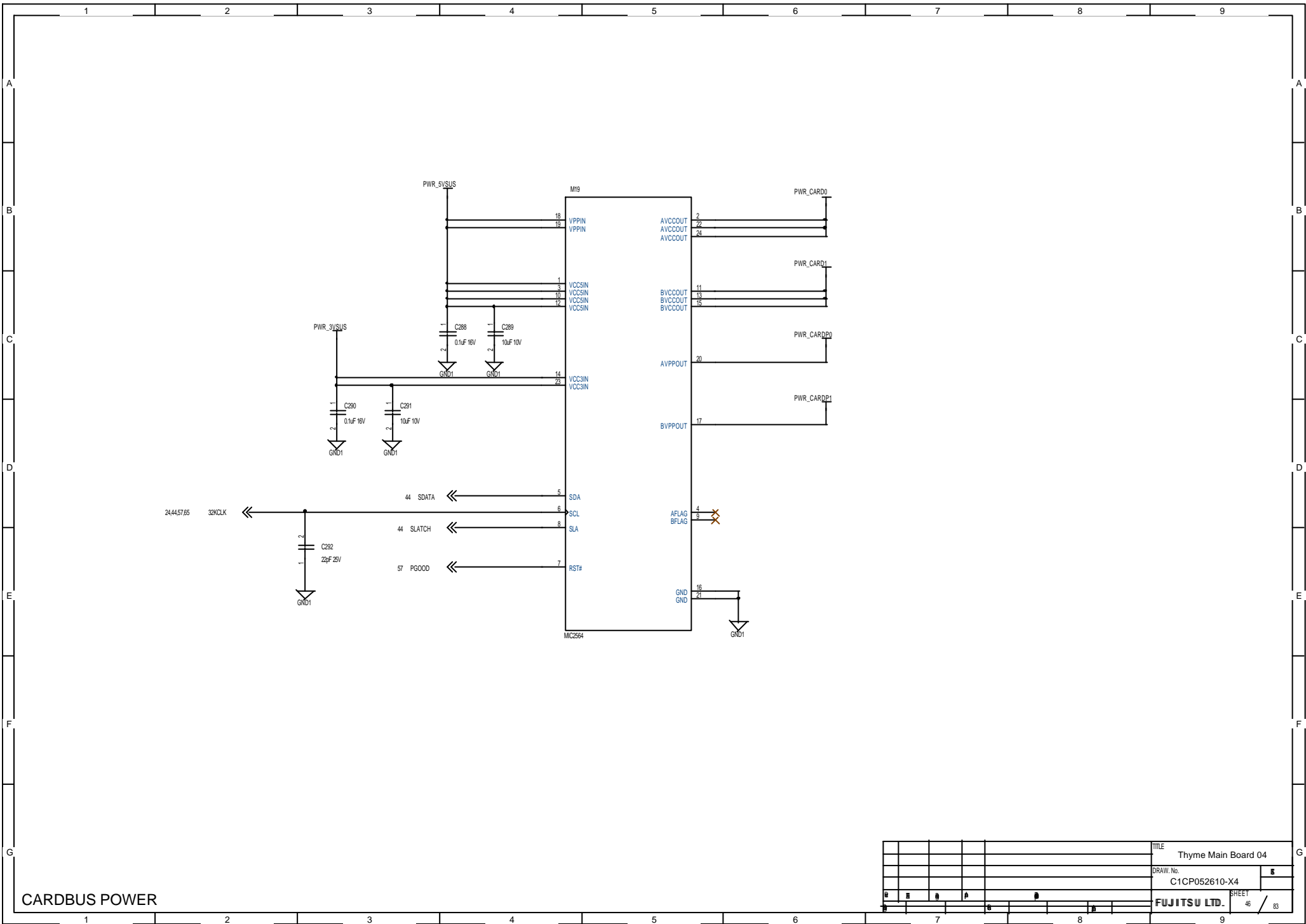
CARDBUS CTRL(OZ711E1\_CSP) -1

TITLE		Thyme Main Board 04	
DRAW. No.		C1CP052610-X4	
FUJITSU LTD.		SHEET 44 / 83	

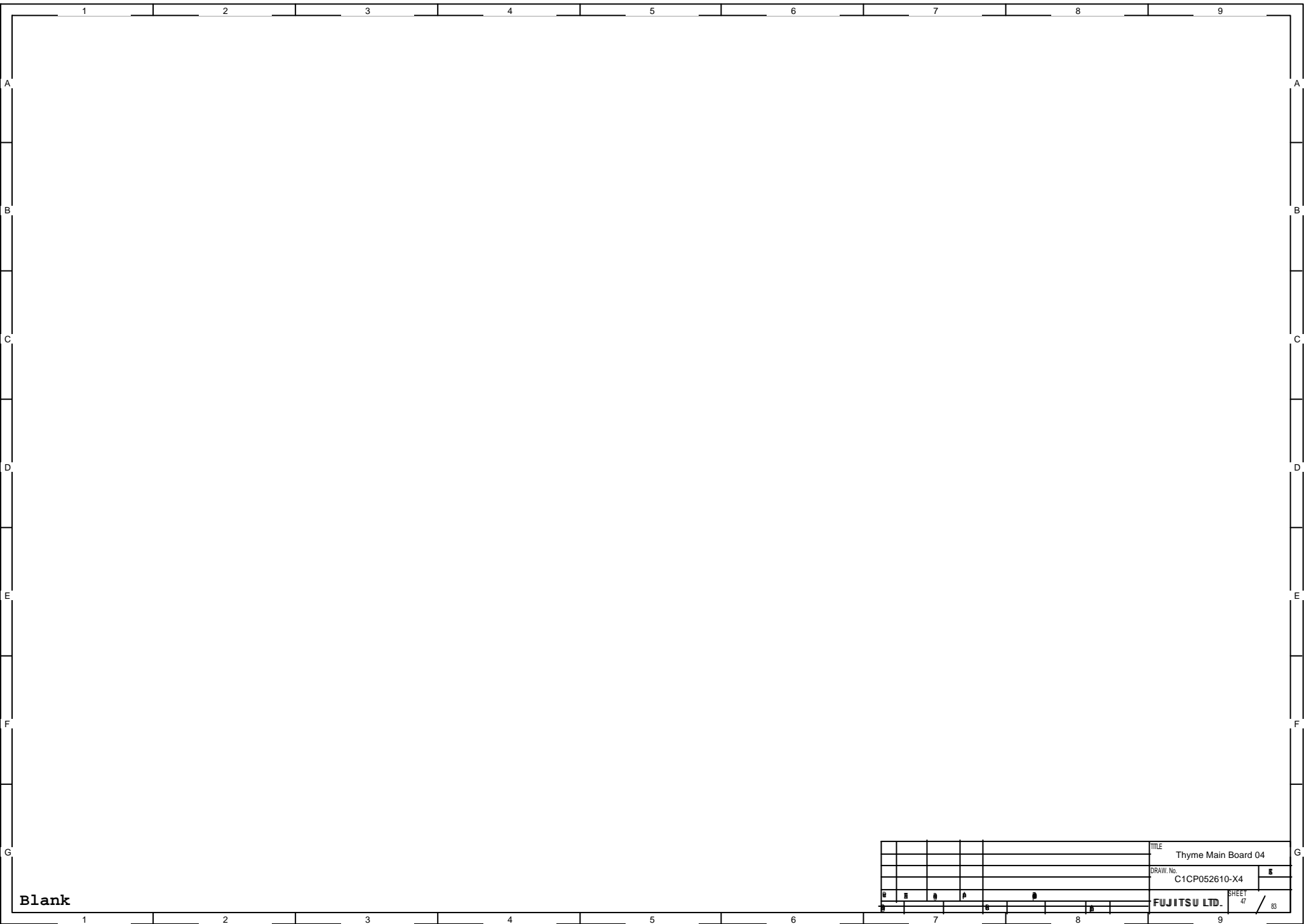


CARDBUS CTRL(OZ711E1\_CSP) -2

TITLE		Thyme Main Board 04	
DRAW. No.		C1CP052610-X4	
FUJITSU LTD.		SHEET 45 / 83	



TITLE		Thyme Main Board 04	
DRAW. No.		C1CP052610-X4	
SHEET		46 / 83	
FUJITSU LTD.			



A

B

C

D

E

F

G

A

B

C

D

E

F

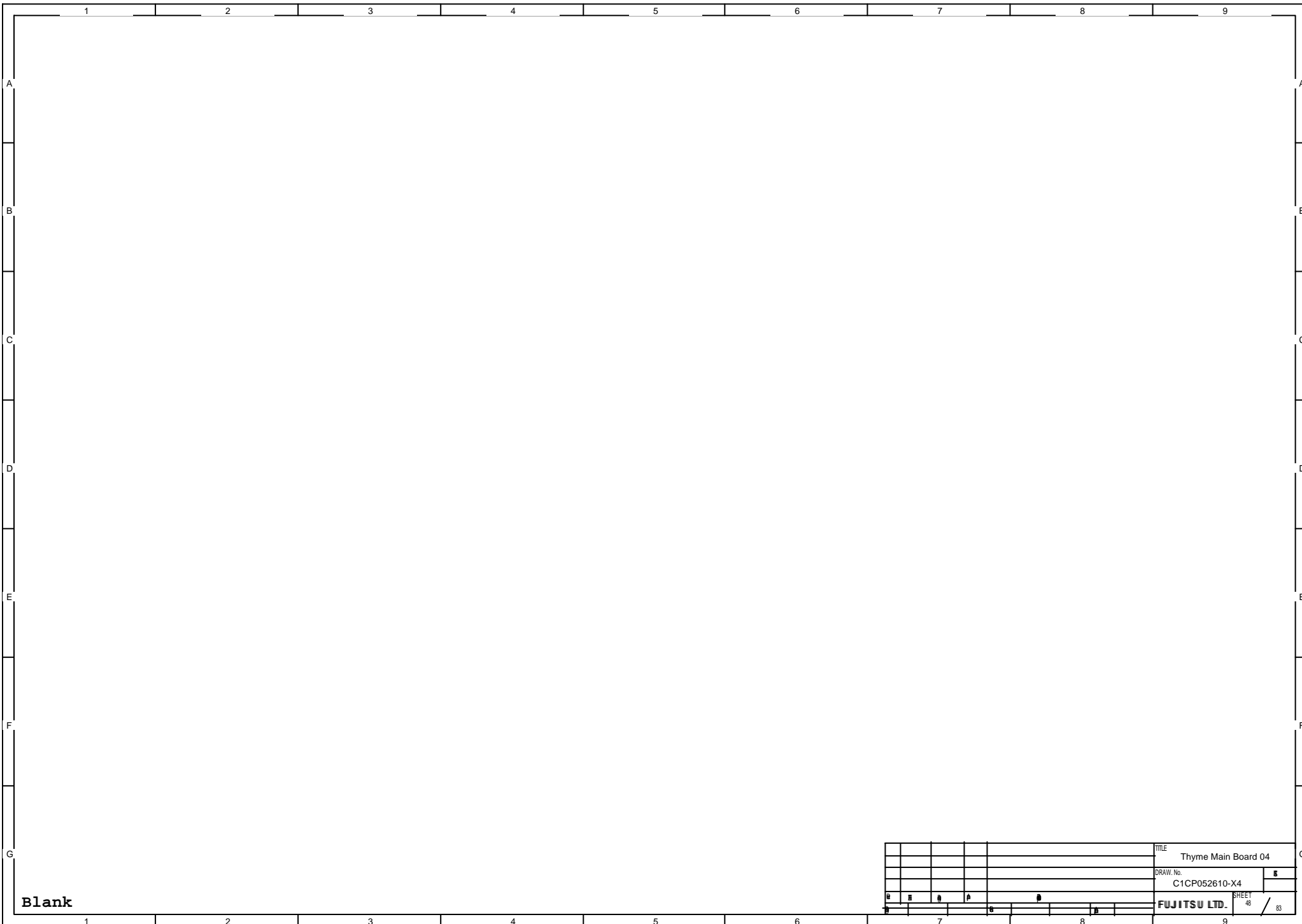
G

1 2 3 4 5 6 7 8 9

1 2 3 4 5 6 7 8 9

Blank

										TITLE	Thyme Main Board 04	
										DRAW. No.	C1CP052610-X4	
										FUJITSU LTD.		SHEET 47 / 83



A  
B  
C  
D  
E  
F  
G

A  
B  
C  
D  
E  
F  
G

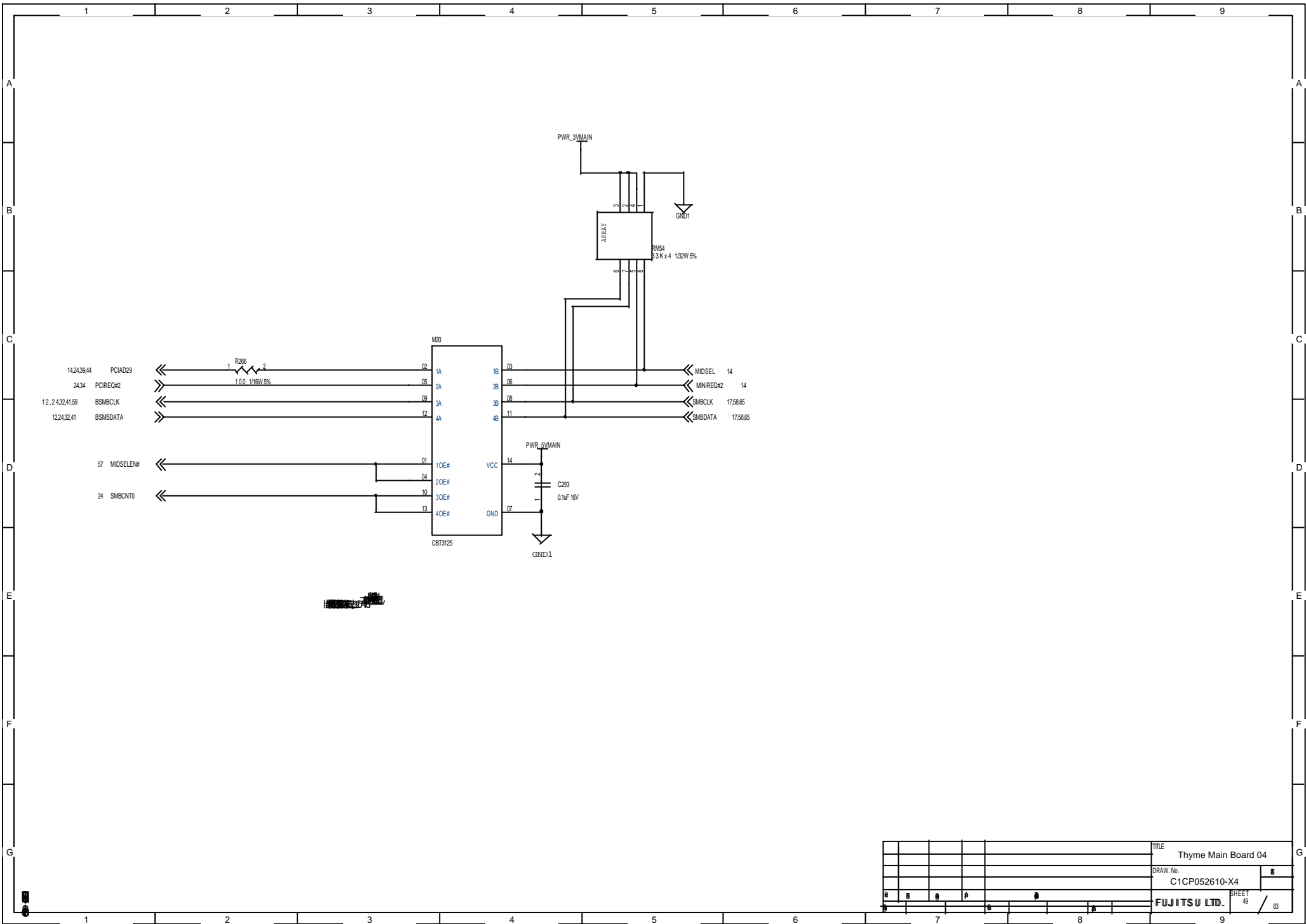
1 2 3 4 5 6 7 8 9

1 2 3 4 5 6 7 8 9

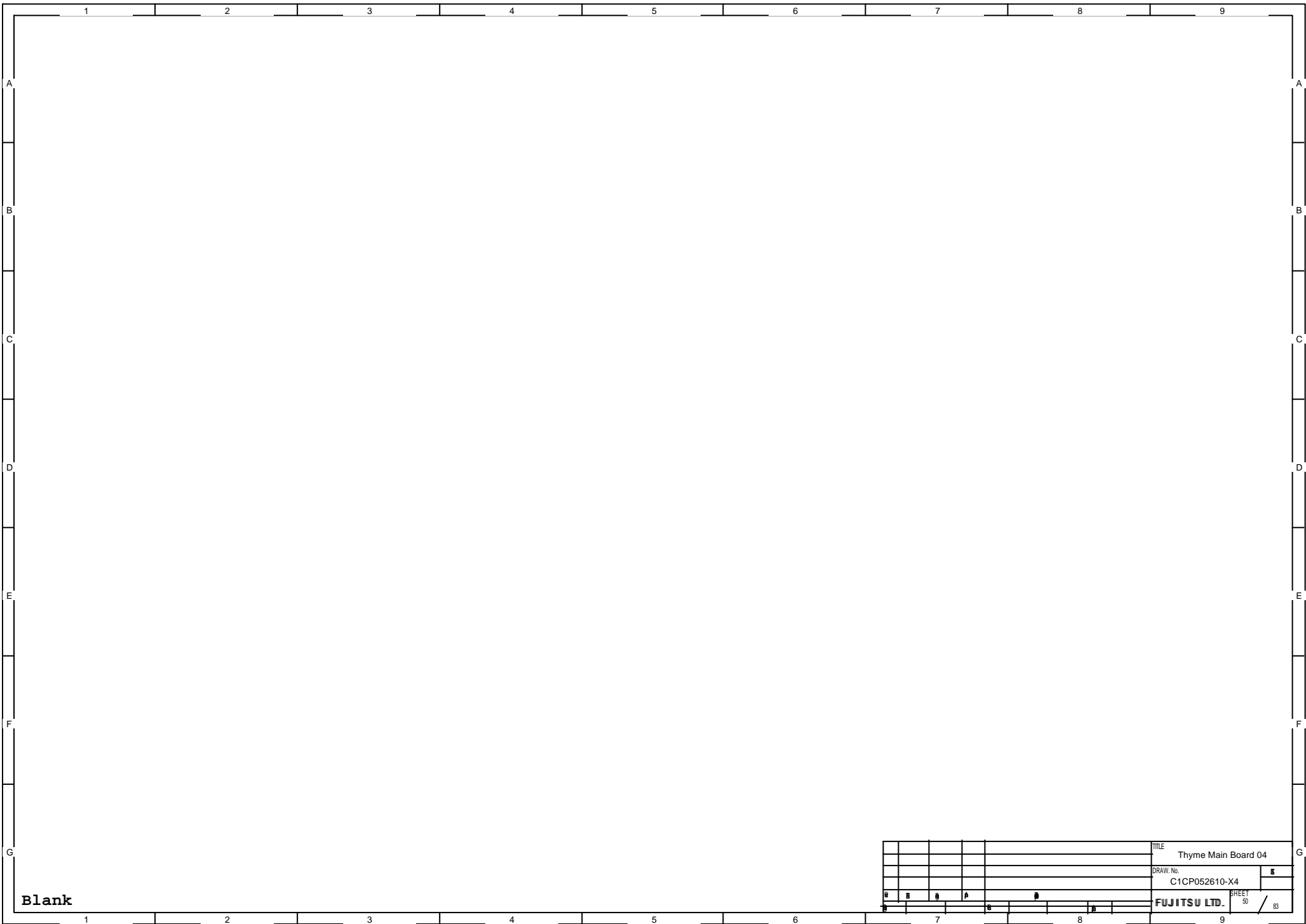
Blank

				TITLE Thyme Main Board 04	
				DRAW. No. C1CP052610-X4	
				FUJITSU LTD.	
				SHEET 48 / 83	



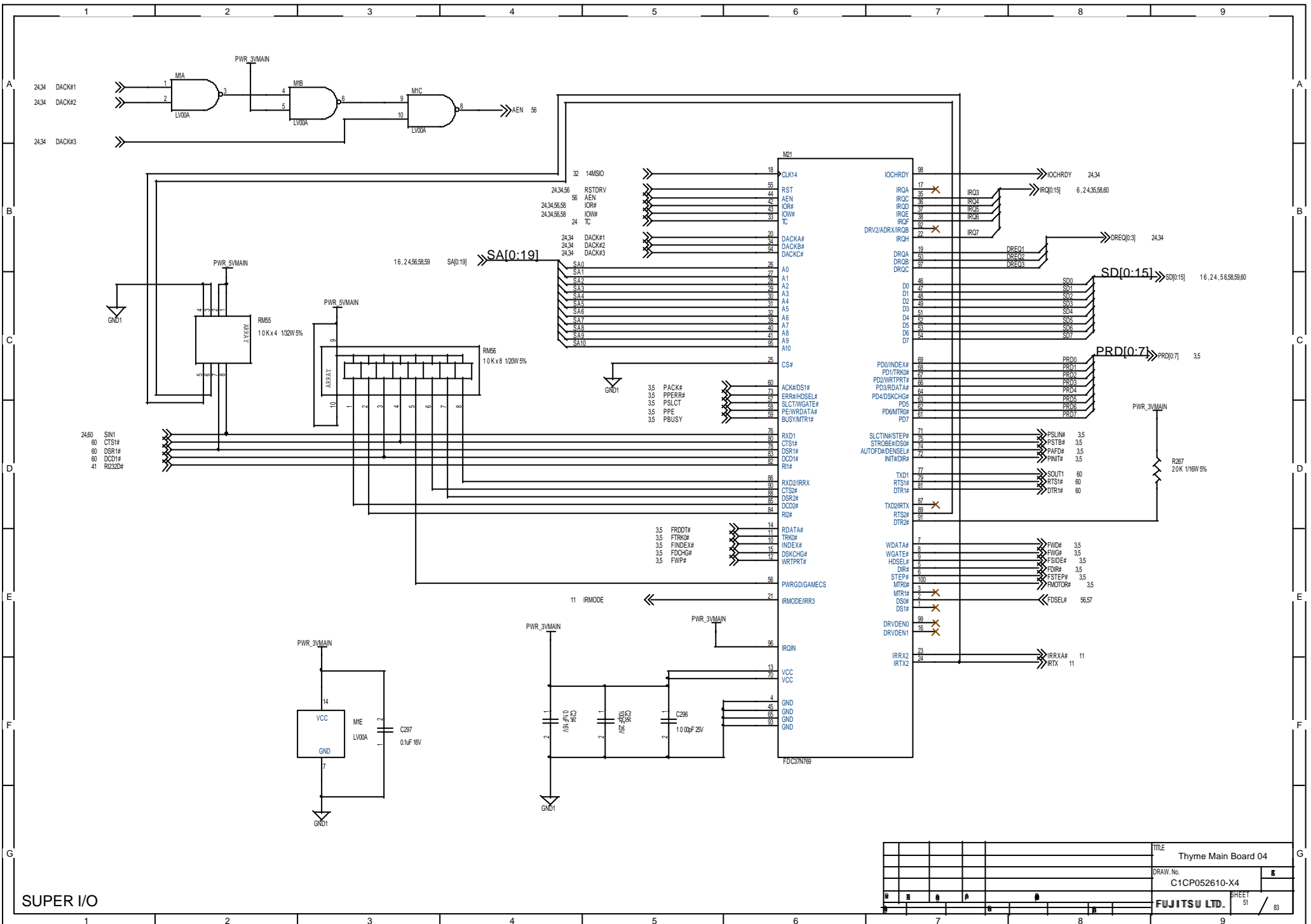


TITLE		Thyme Main Board 04	
DRAW. No.		C1CP052610-X4	
SHEET		49 / 83	
FUJITSU LTD.			



Blank

									TITLE	Thyme Main Board 04	
									DRAW. No.	C1CP052610-X4	5
									FUJITSU LTD.	SHEET	50 / 83



TITLE		Thyme Main Board 04
DRAW. No.		C1CP052610-X4
FUJITSU LTD.		SHEET 51 / 83

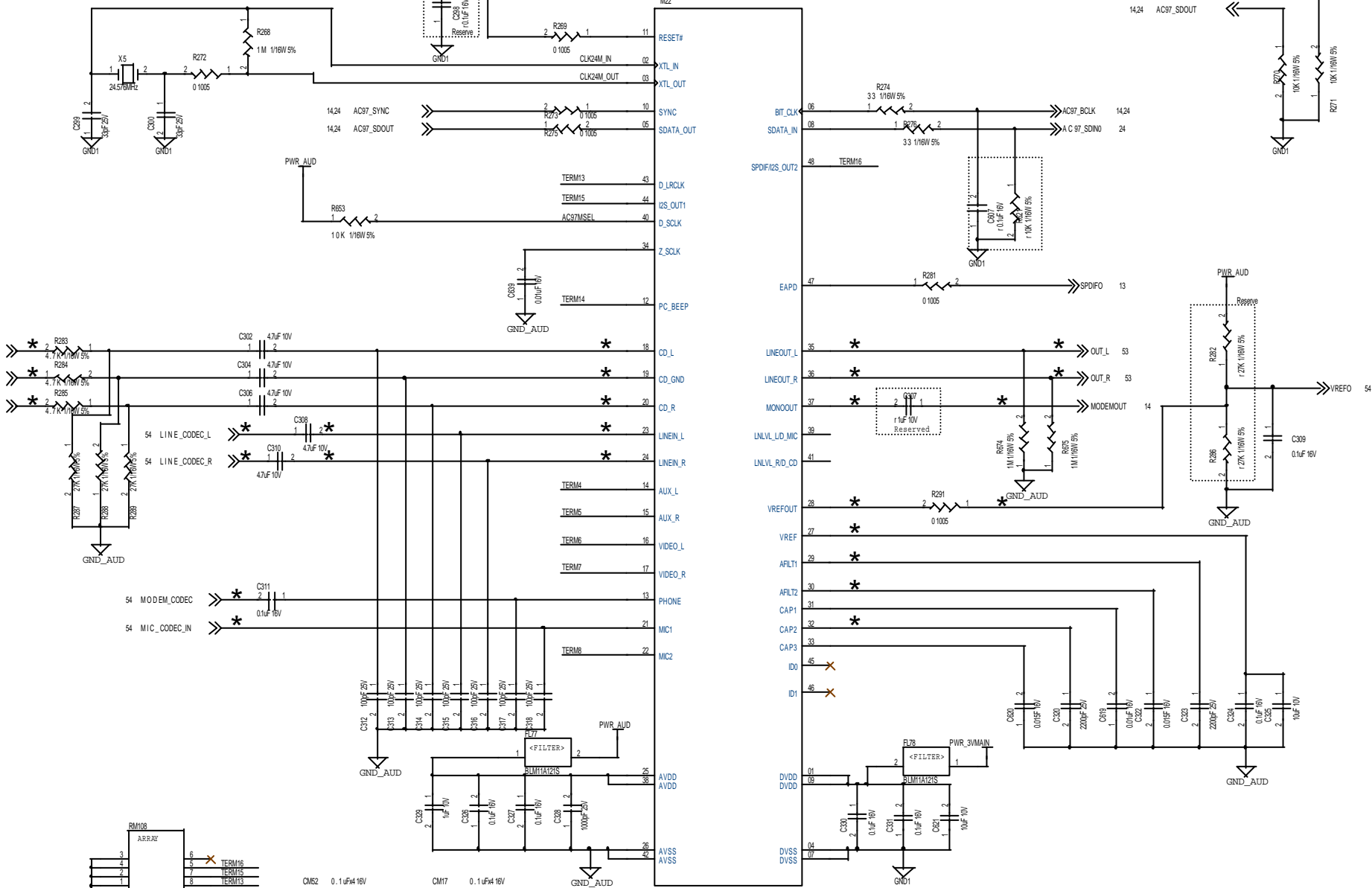


04251006  
FUJITSU, R.O.C, LTD

56 AC97\_RESET#

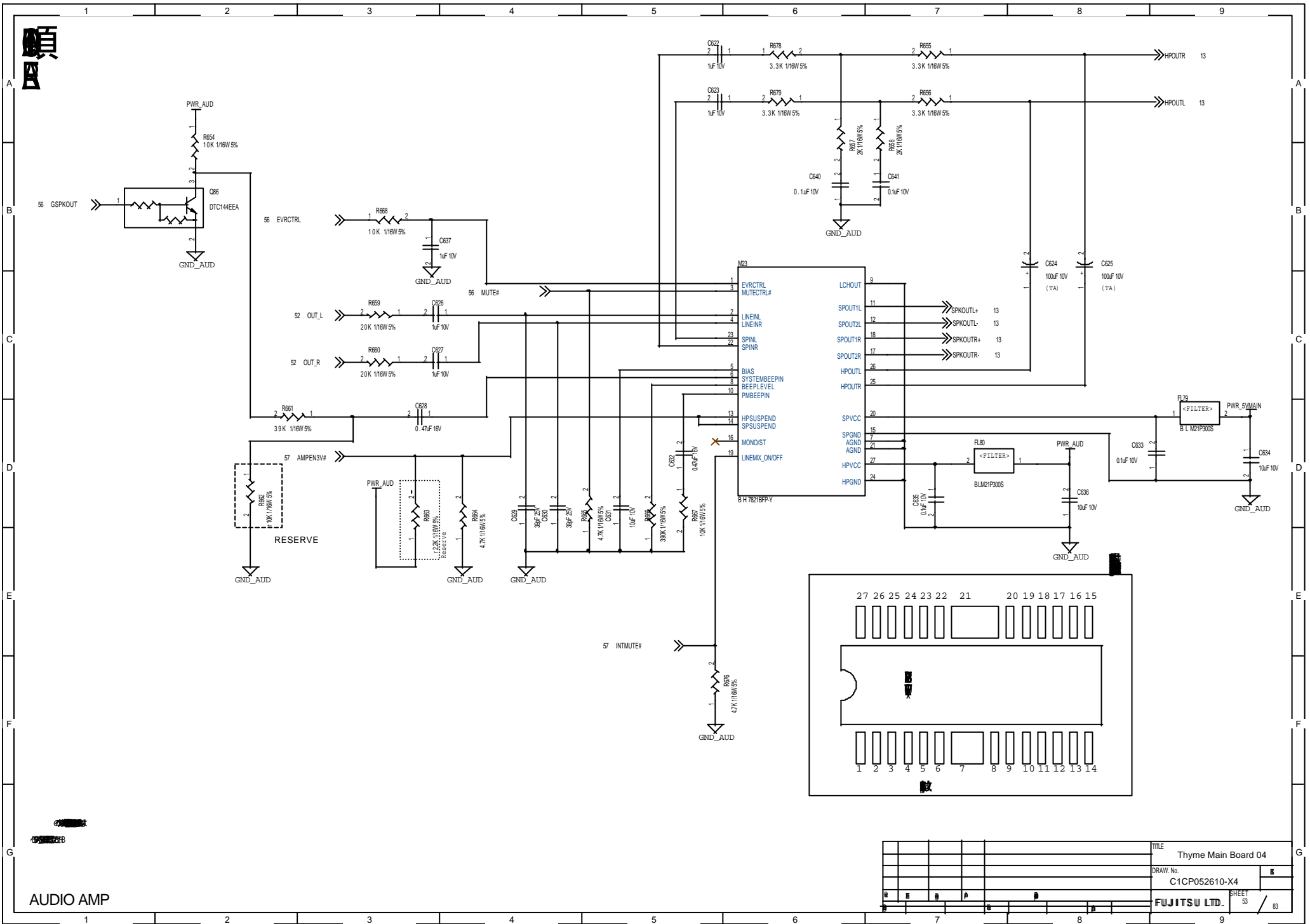
1424 AC97\_SYNC  
1424 AC97\_SDOUT

M22



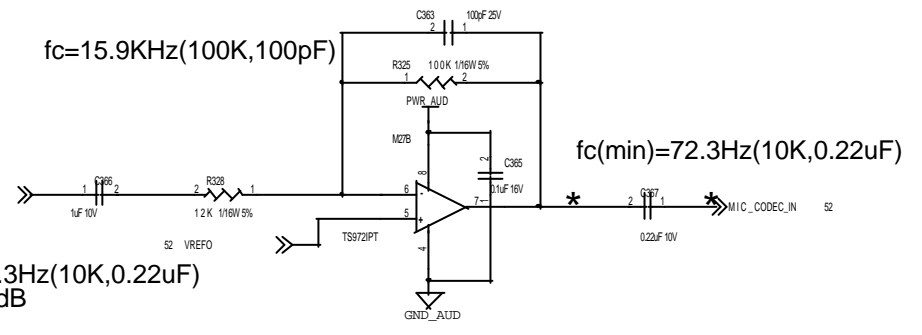
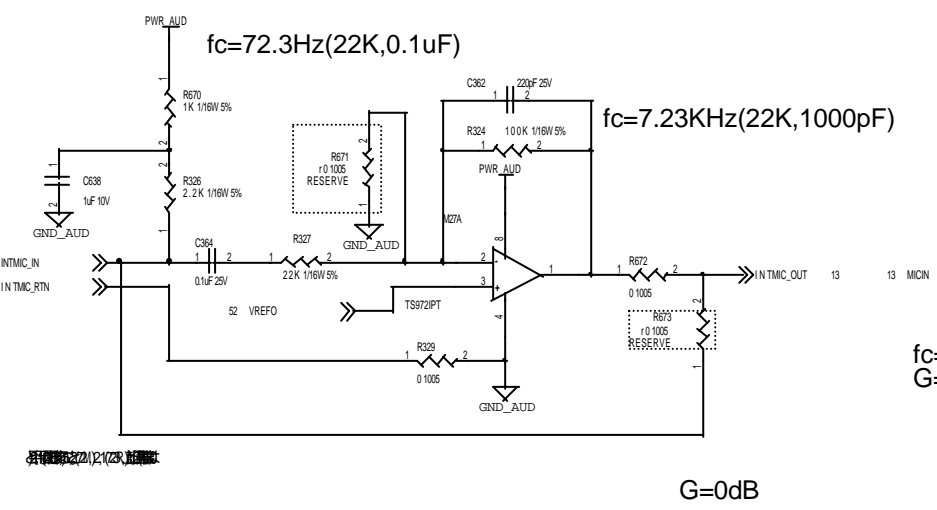
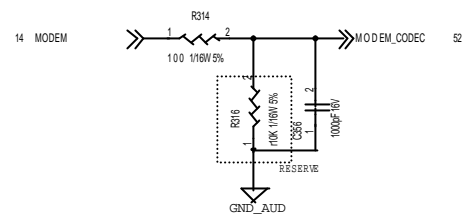
AC97CODEC

TITLE Thyme Main Board 04	
DRAW. No. C1CP052610-X4	
FUJITSU LTD. SHEET 82 / 83	



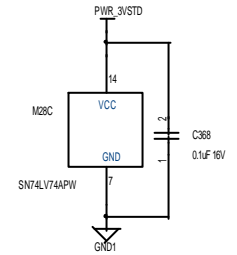
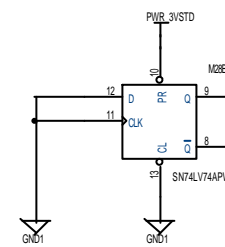
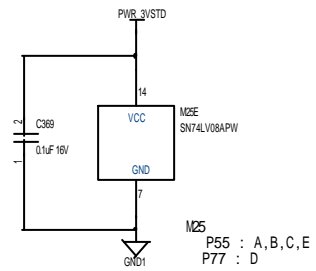
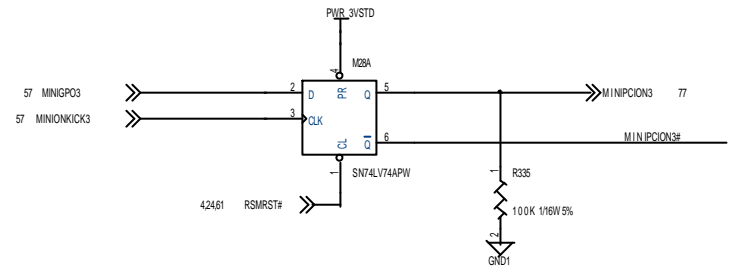
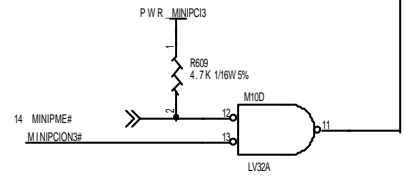
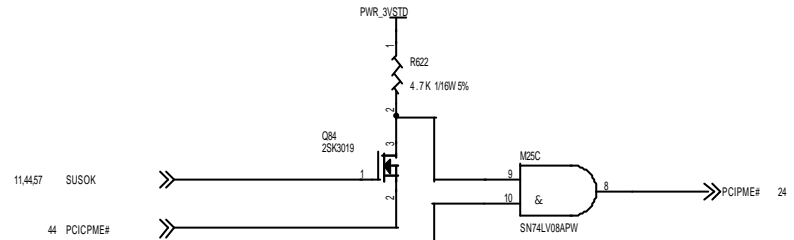
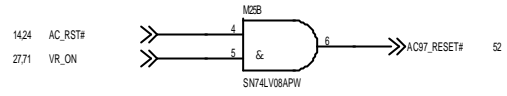
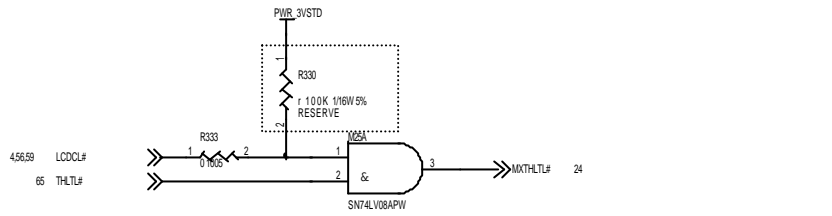
AUDIO AMP

TITLE		Thyme Main Board 04	
DRAW. No.		C1CP052610-X4	
FUJITSU LTD.		SHEET 53 / 83	



AUDIO MISC

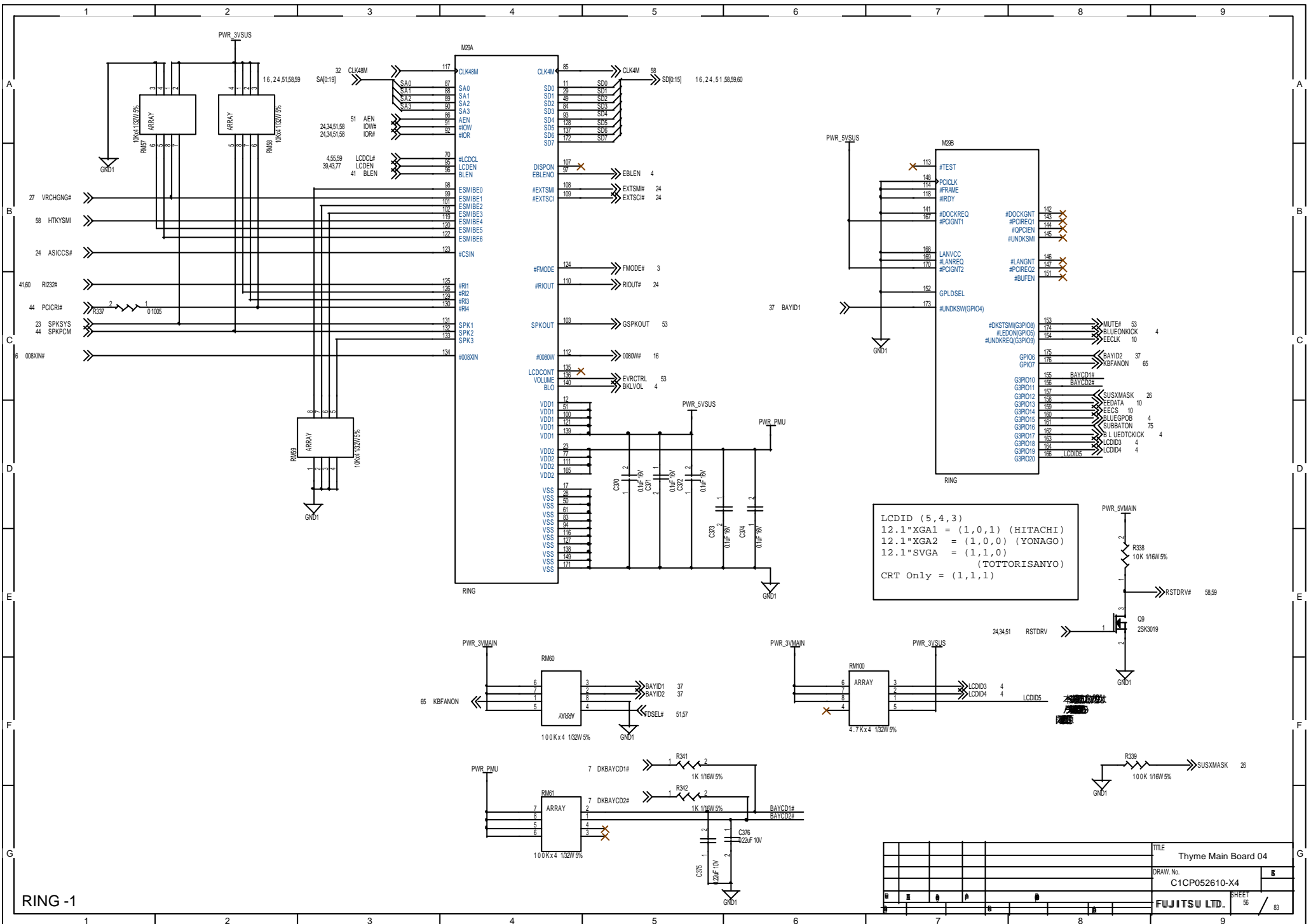
TITLE		Thyme Main Board 04	
DRAW. No.		C1CP052610-X4	
FUJITSU LTD.		SHEET 54 / 83	



M25 : A, B, C, E  
P55 : A, B, C, E  
P77 : D

LOGIC PME#,RI#

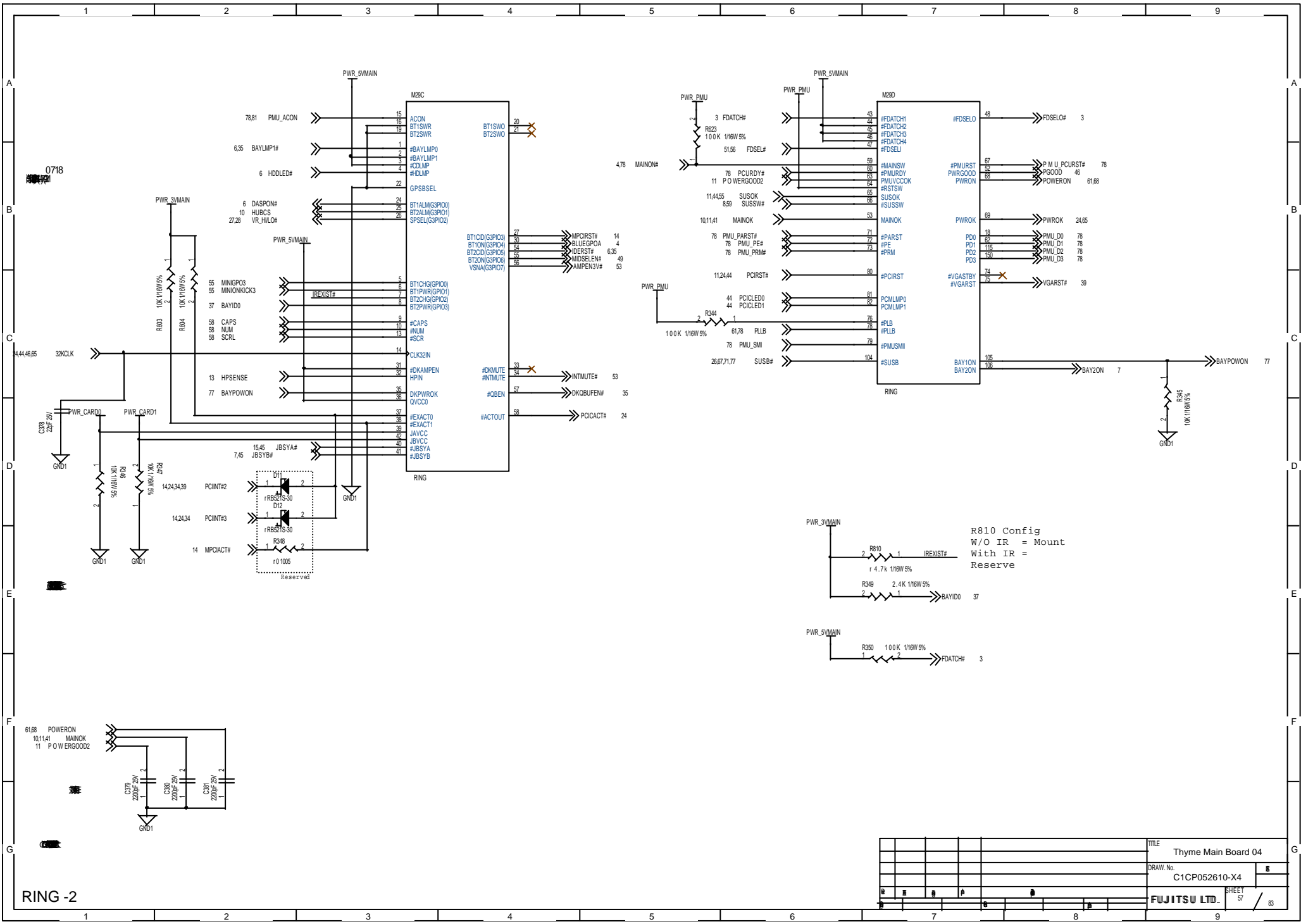
TITLE		Thyme Main Board 04	
DRAW. No.		C1CP052610-X4	
FUJITSU LTD.		SHEET 55 / 83	



RING -1

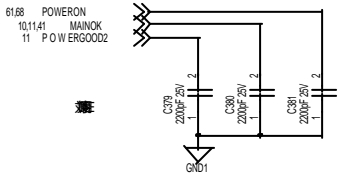
TITLE	Thyme Main Board 04
DRAW. No.	C1CP052610-X4
SHEET	56 / 83
FUJITSU LTD.	



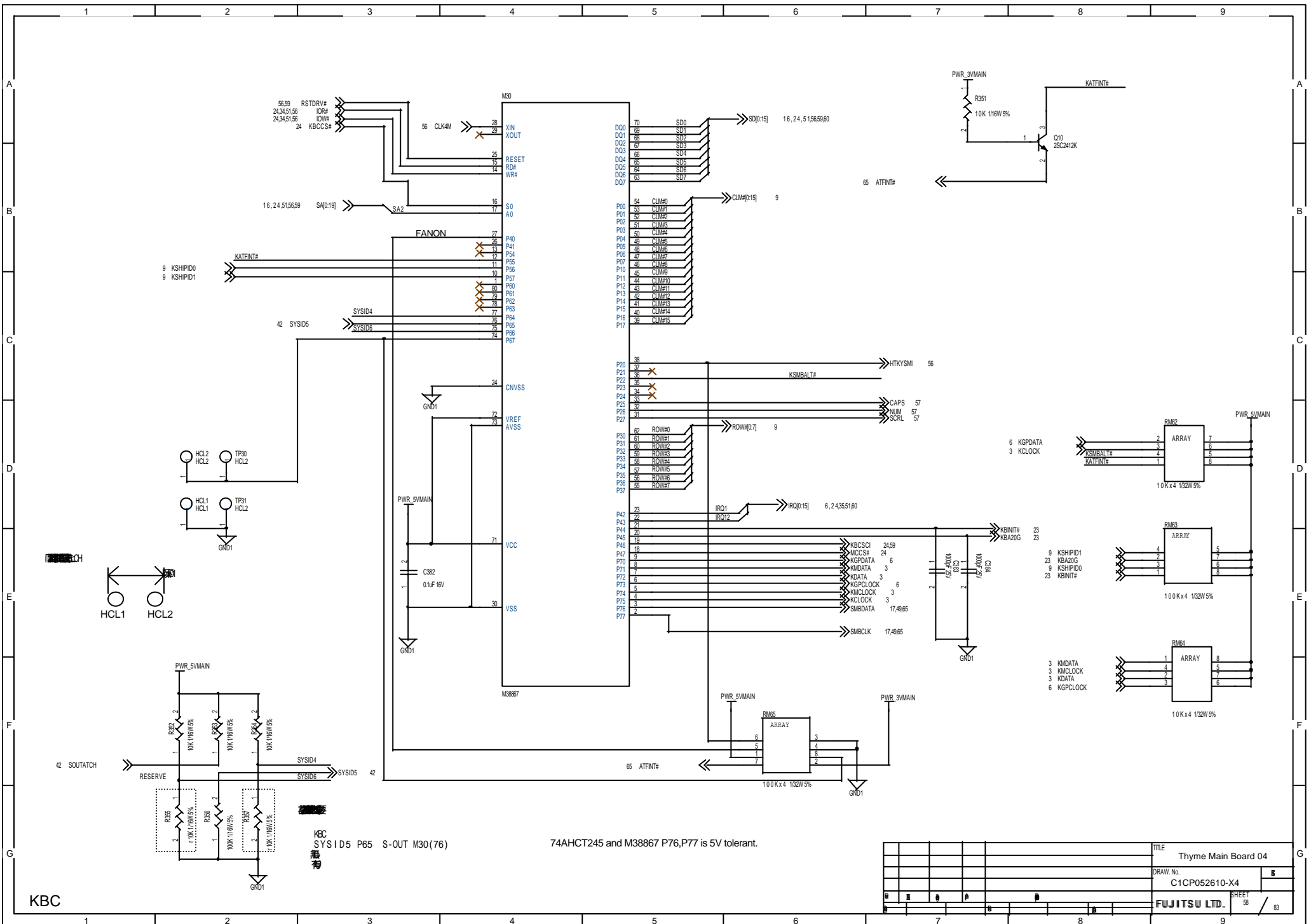


0718

44,46,65 32KCLK



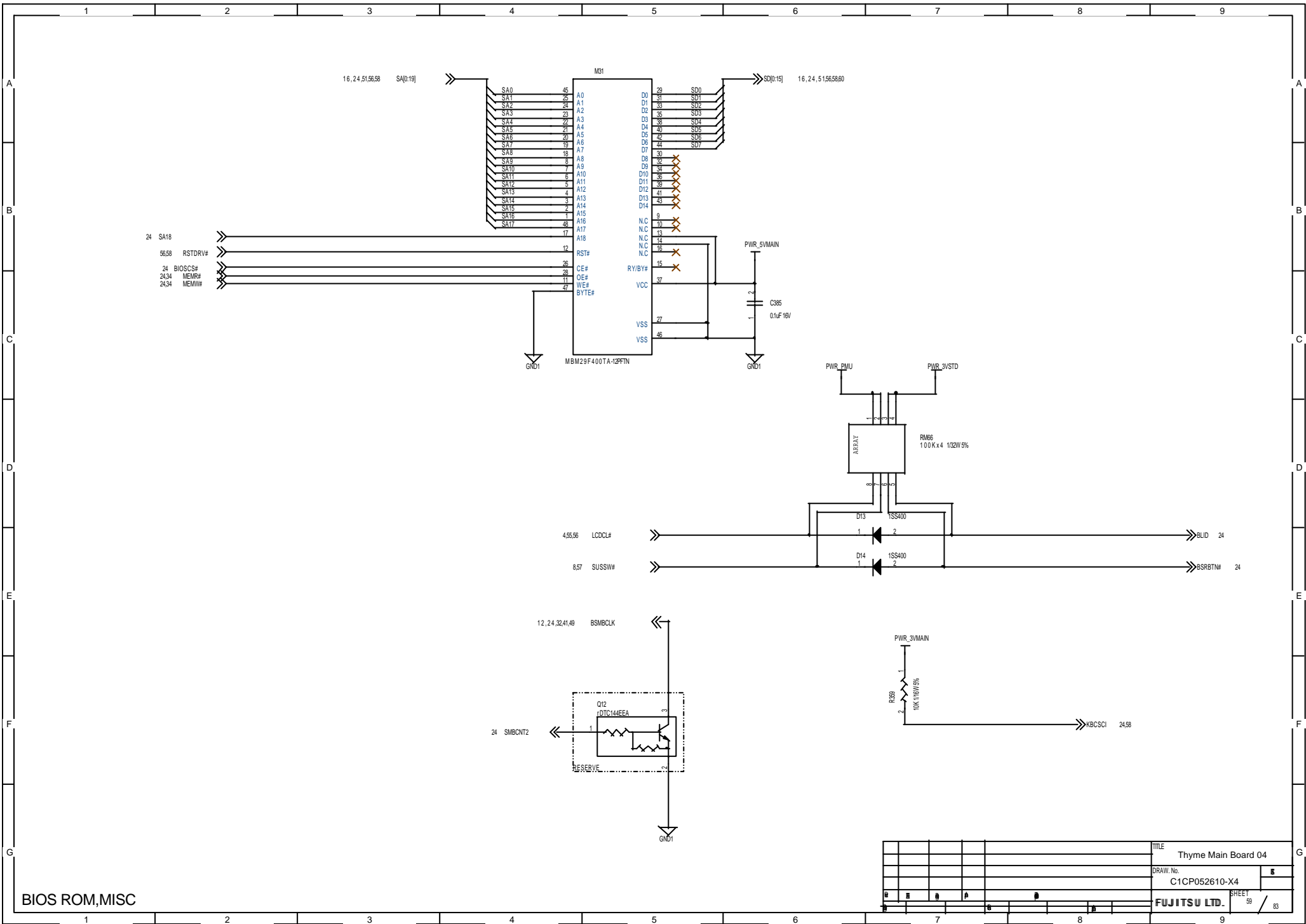
TITLE		Thyme Main Board 04	
DRAW. No.		C1CP052610-X4	
FUJITSU LTD.		SHEET 57 / 83	



KBC  
SYSID5 P65 S-OUT M30(76)  
KBC  
KBC

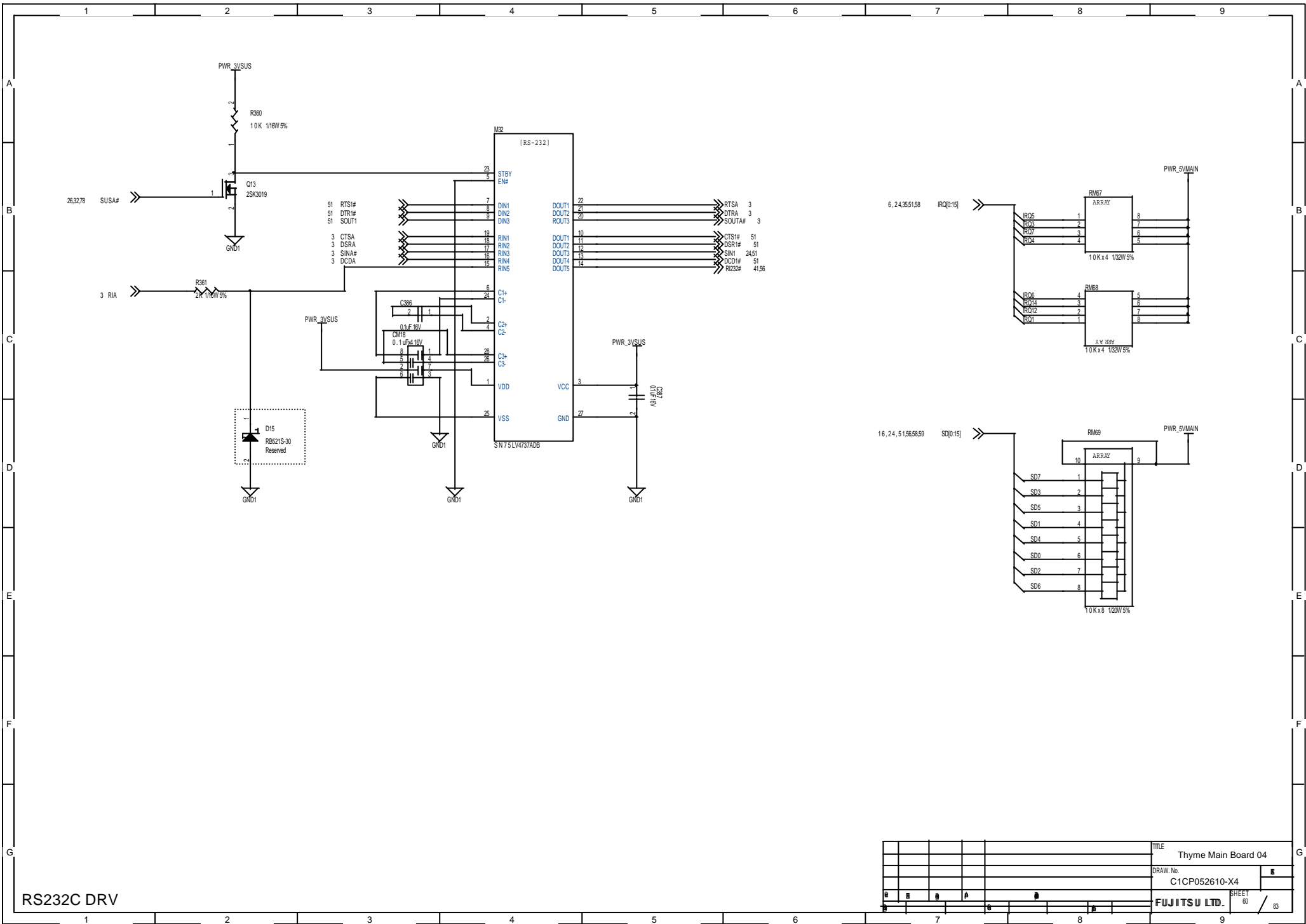
74AHCT245 and M38867 P76,P77 is 5V tolerant.

TITLE		Thyme Main Board 04	
DRAW. No.		C1CP052610-X4	
SHEET		58 / 83	
FUJITSU LTD.			



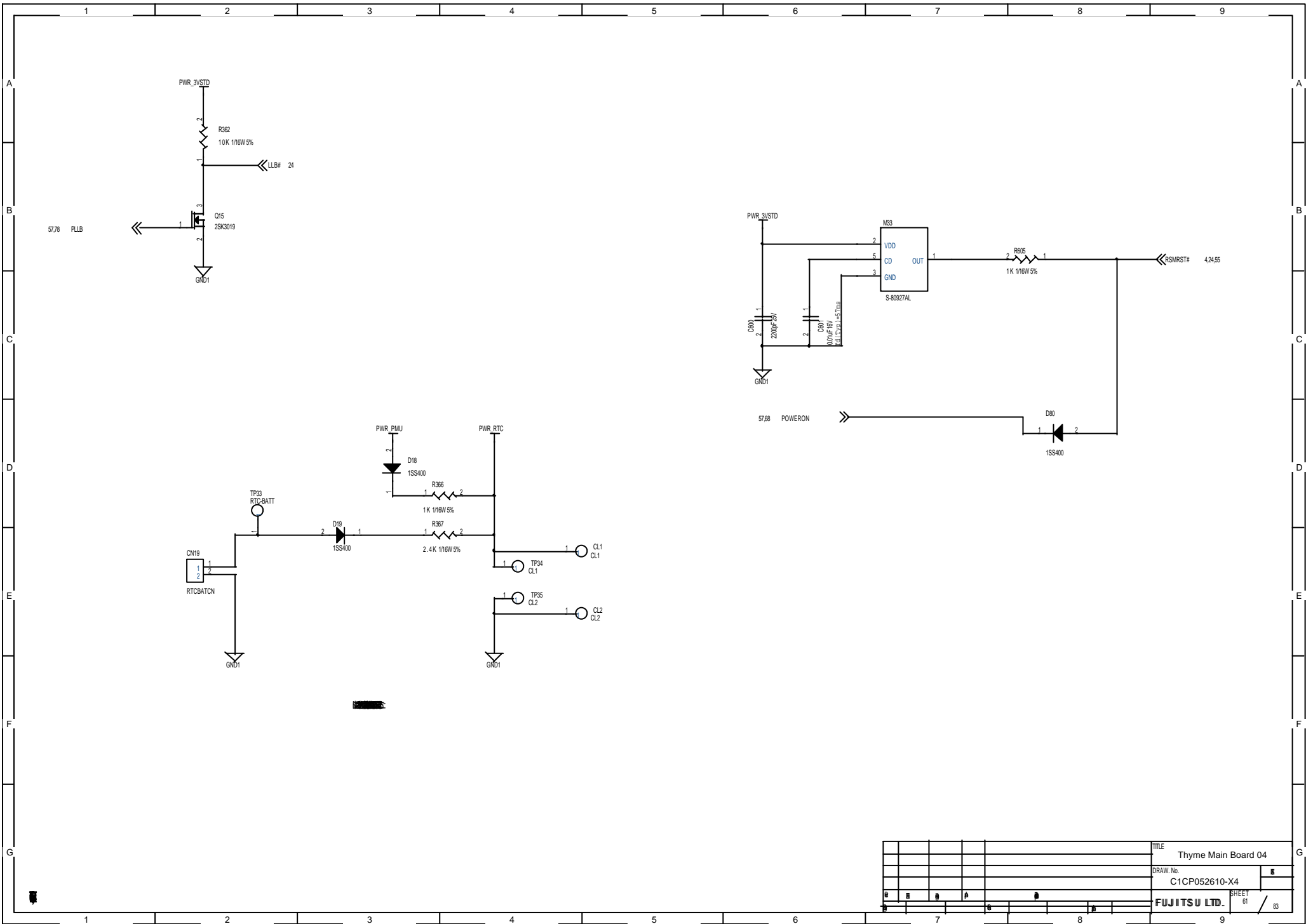
BIOS ROM, MISC

TITLE		Thyme Main Board 04	
DRAW. No.		C1CP052610-X4	
FUJITSU LTD.		SHEET 59 / 83	



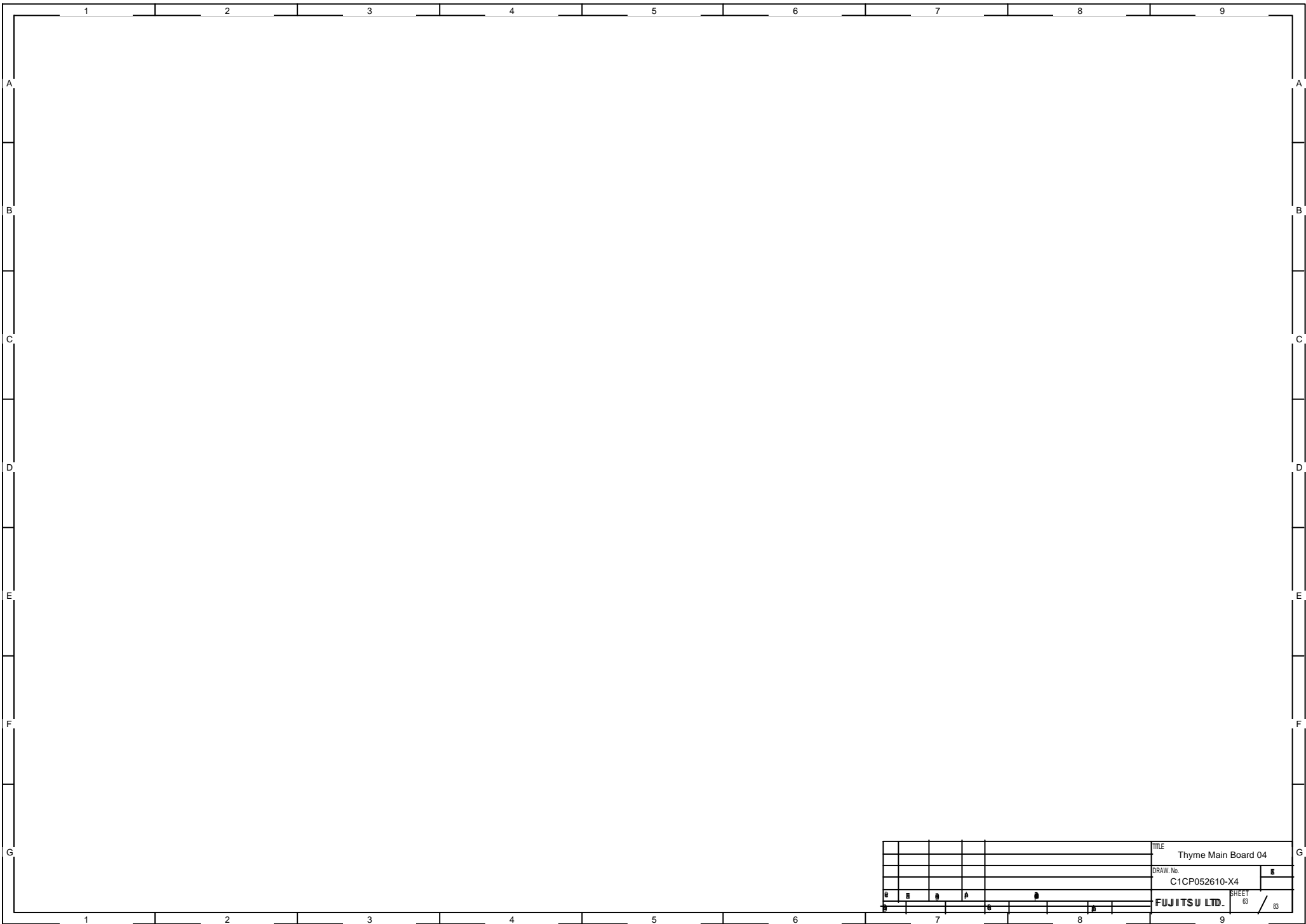
RS232C DRV

TITLE		Thyme Main Board 04	
DRAW. No.		C1CP052610-X4	
FUJITSU LTD.		SHEET 60 / 83	

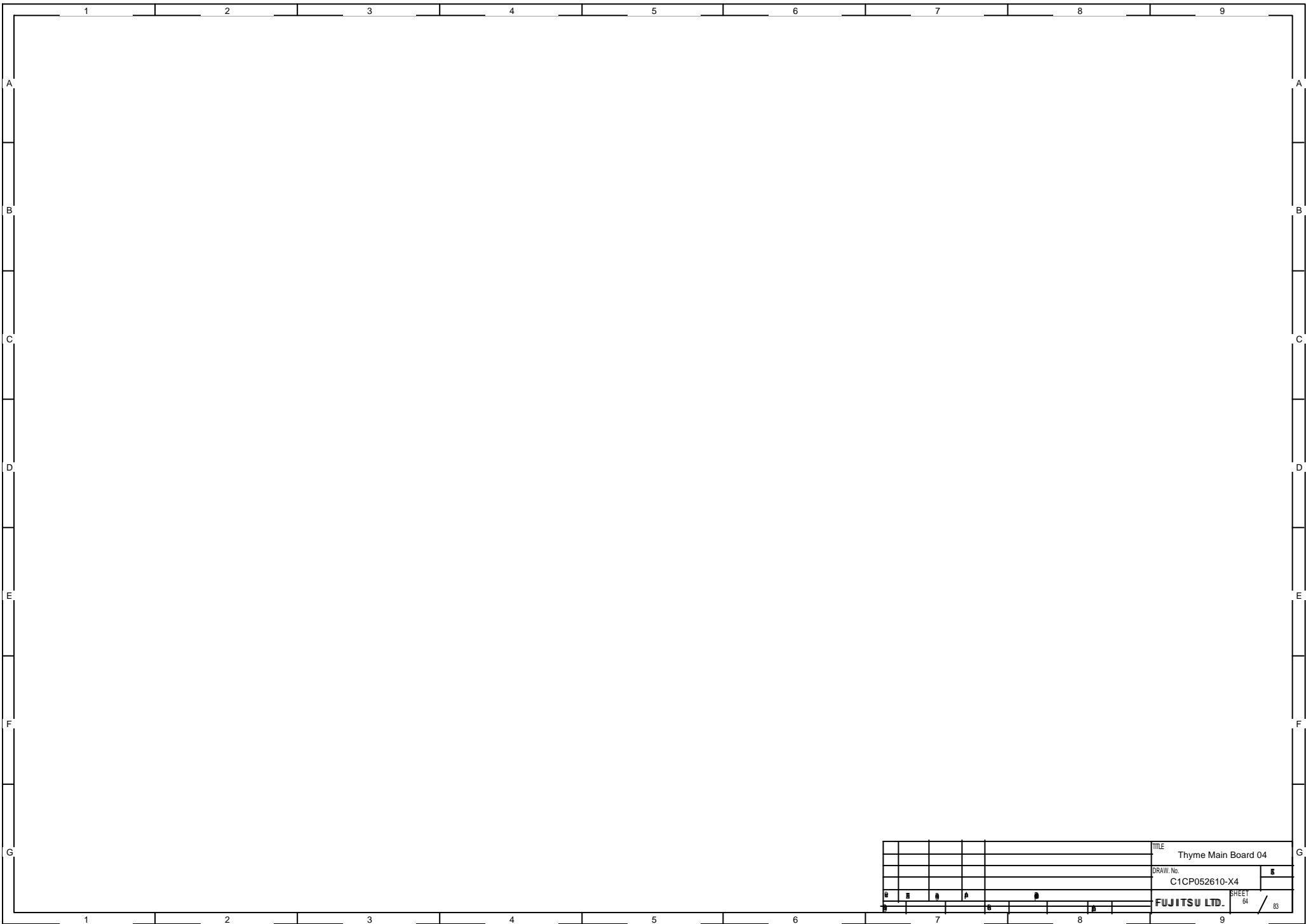


TITLE		Thyme Main Board 04	
DRAW. No.		C1CP052610-X4	
FUJITSU LTD.		SHEET 61 / 83	





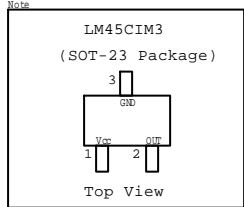
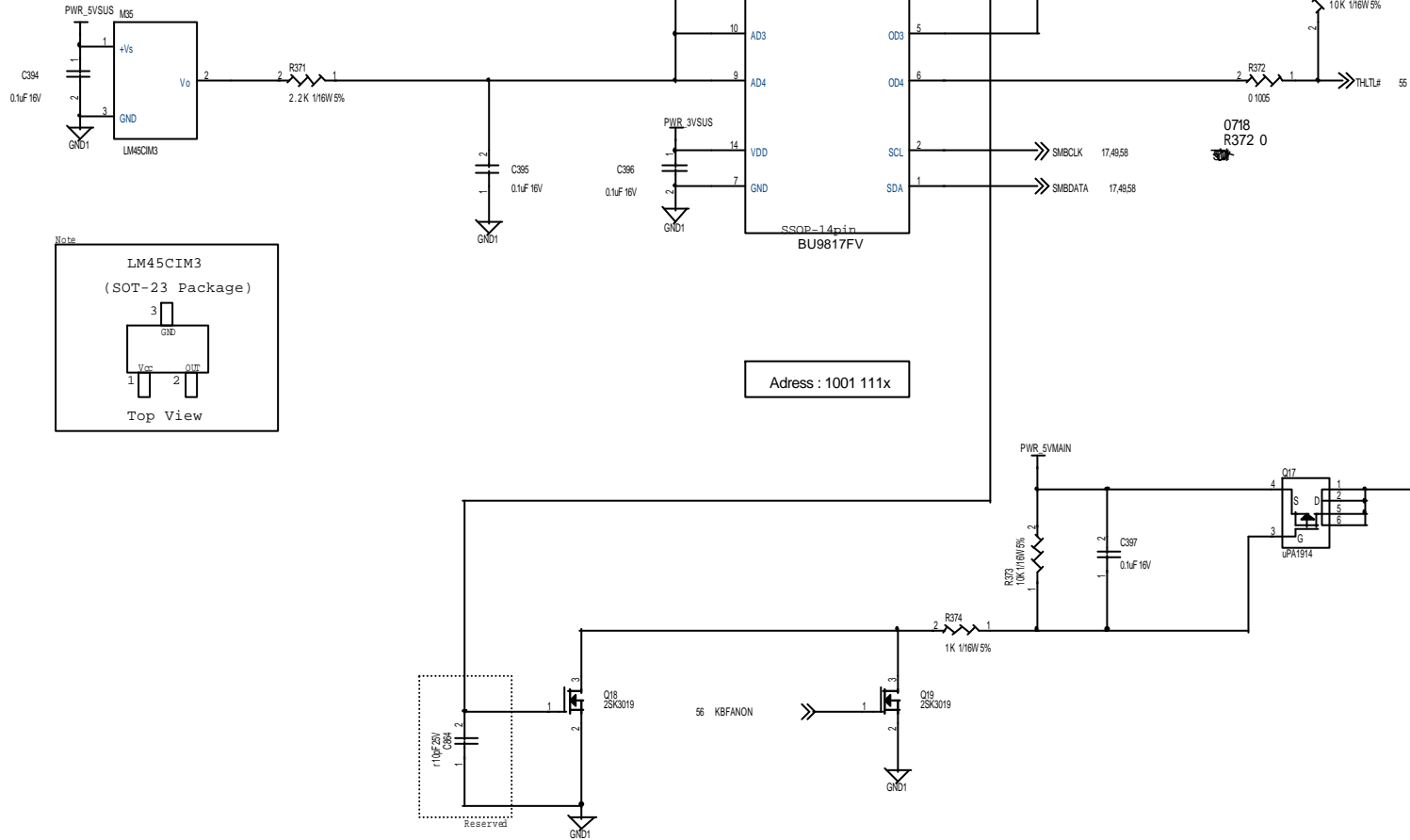
				TITLE		Thyme Main Board 04	
				DRAW. No.		C1CP052610-X4	
				FUJITSU LTD.		SHEET 63 / 83	



				TITLE		Thyme Main Board 04			
				DRAW. No.		C1CP052610-X4			
				FUJITSU LTD.		SHEET		64 / 83	



LM45Cは、CPUの直近に配置すること。  
CPUの裏(中心に近いほうが良い)。



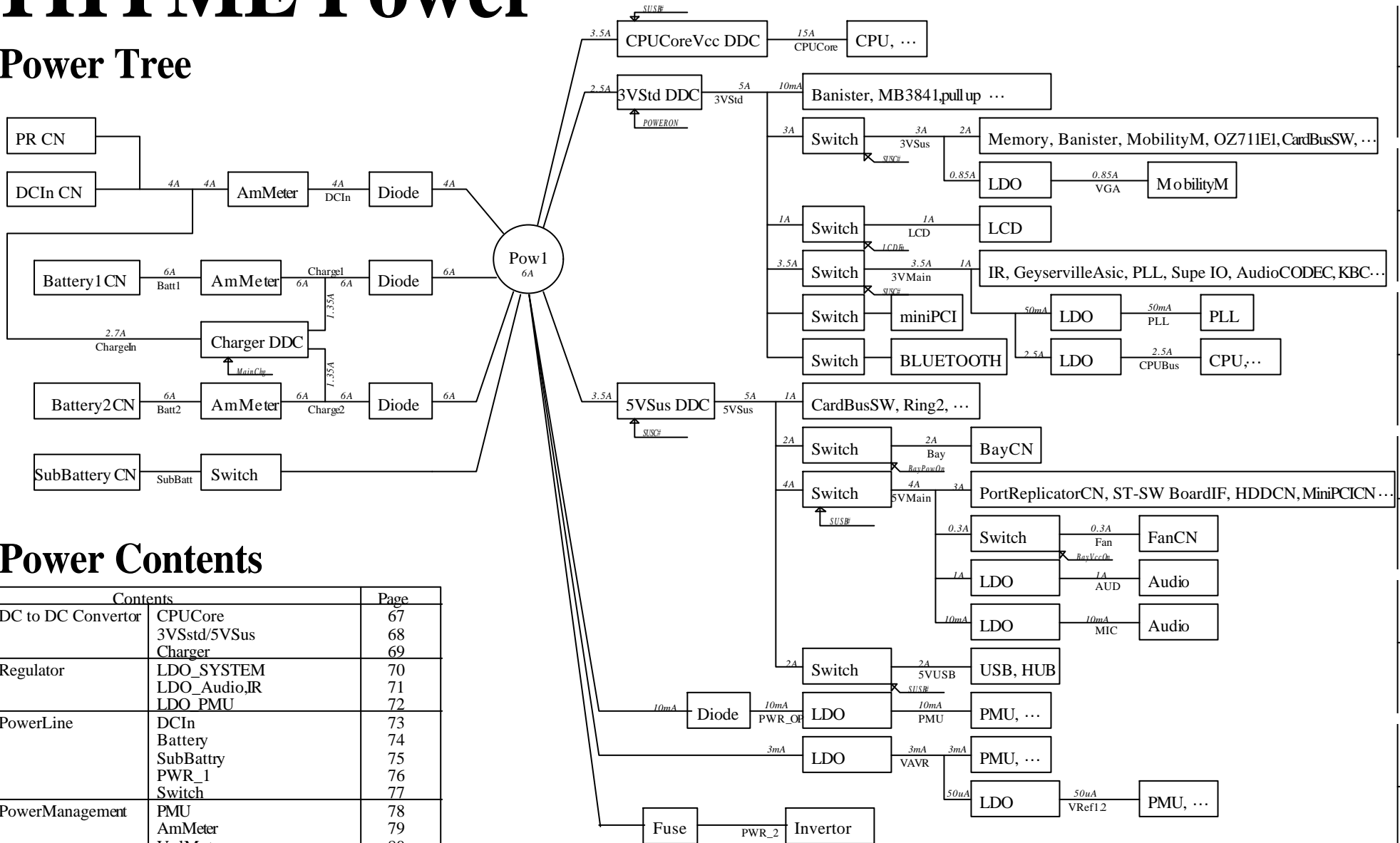
Address : 1001 111x

TEMP Sensor, FAN Control

TITLE		Thyme Main Board 04	
DRAW. No.		C1CP052610-X4	
FUJITSU LTD.		SHEET 65 / 83	

# THYME Power

## Power Tree

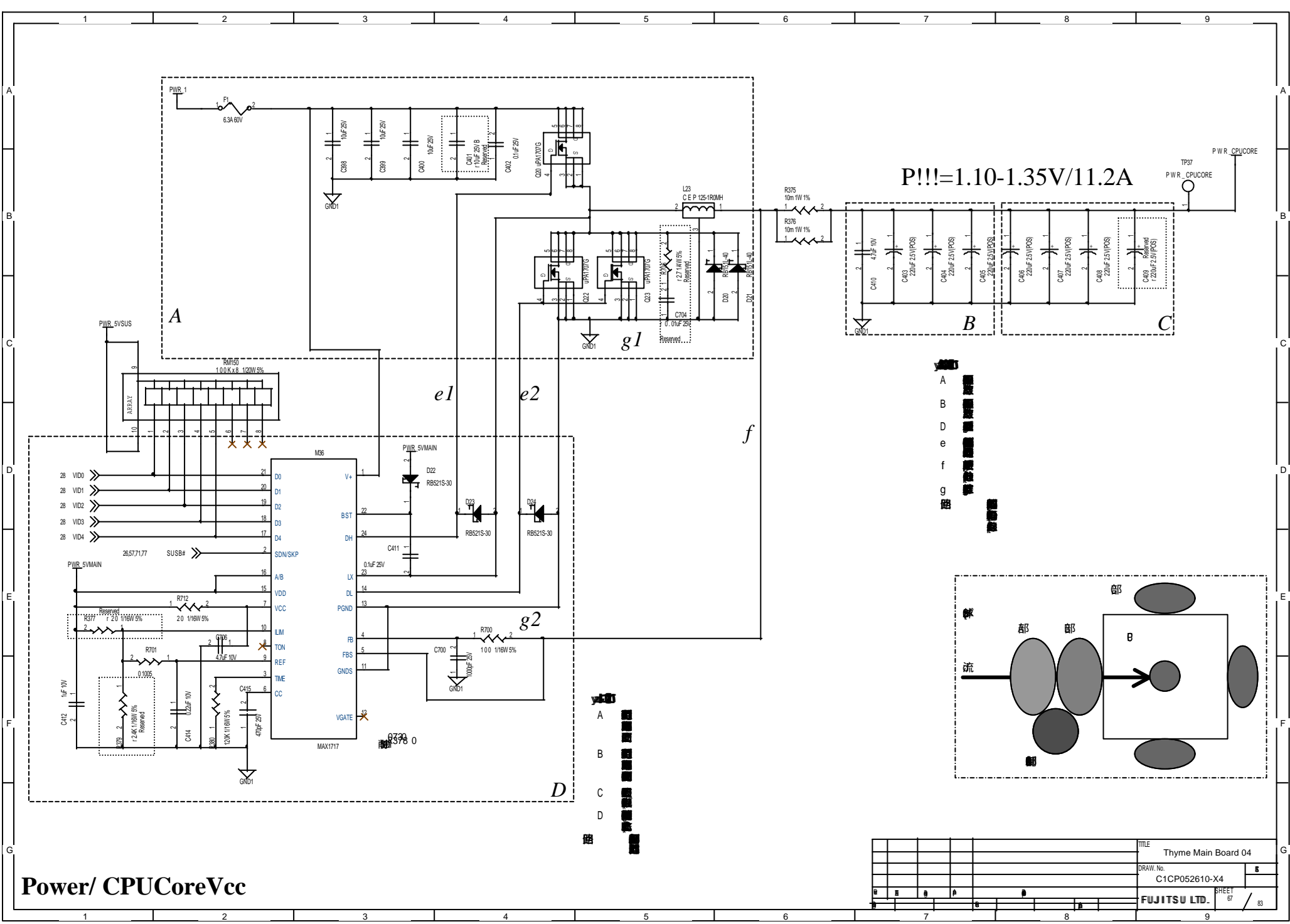


## Power Contents

Contents		Page
DC to DC Converter	CPUCore	67
	3VStd/5VSus	68
	Charger	69
Regulator	LDO_SYSTEM	70
	LDO_Audio,IR	71
	LDO_PMU	72
	DCIn	73
PowerLine	Battery	74
	SubBattary	75
	PWR_1	76
	Switch	77
	PowerManagement	PMU
AmMeter		79
VolMeter		80
ACon/Btfn		81
Scont		82

Power/ TopPage

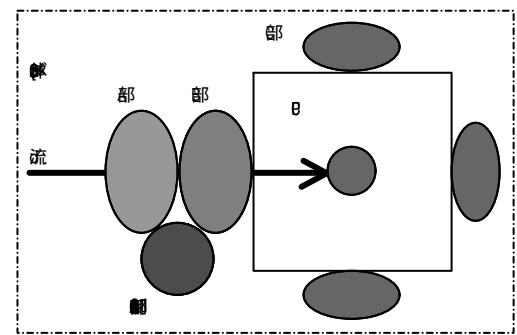
TITLE		Thyme Main Board 04	
DRAW. No.		C1CP052610-X4	
FUJITSU LTD.		SHEET 66 / 83	



P!!!=1.10-1.35V/11.2A

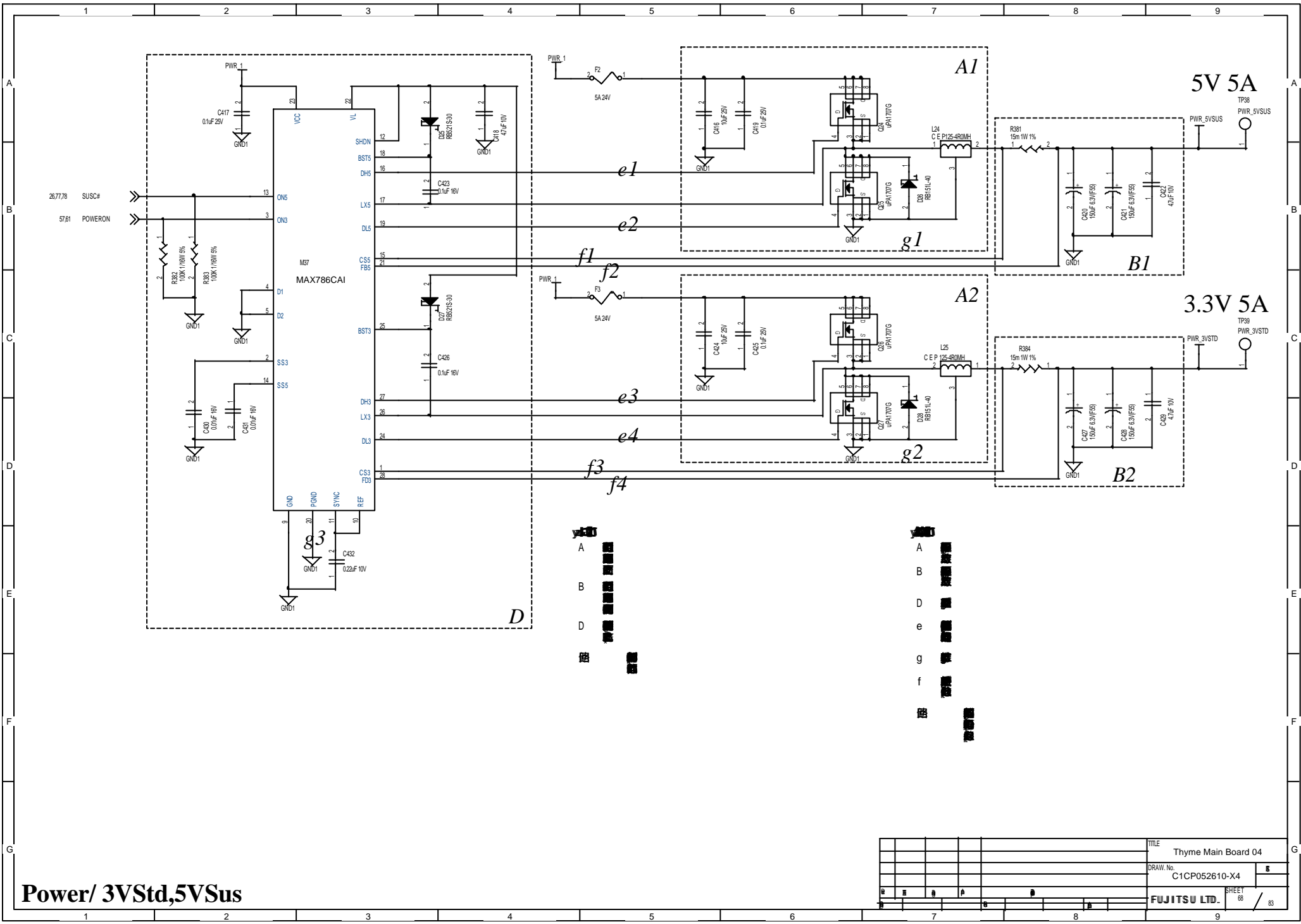
A  
B  
C  
D  
E  
F  
G

A  
B  
C  
D



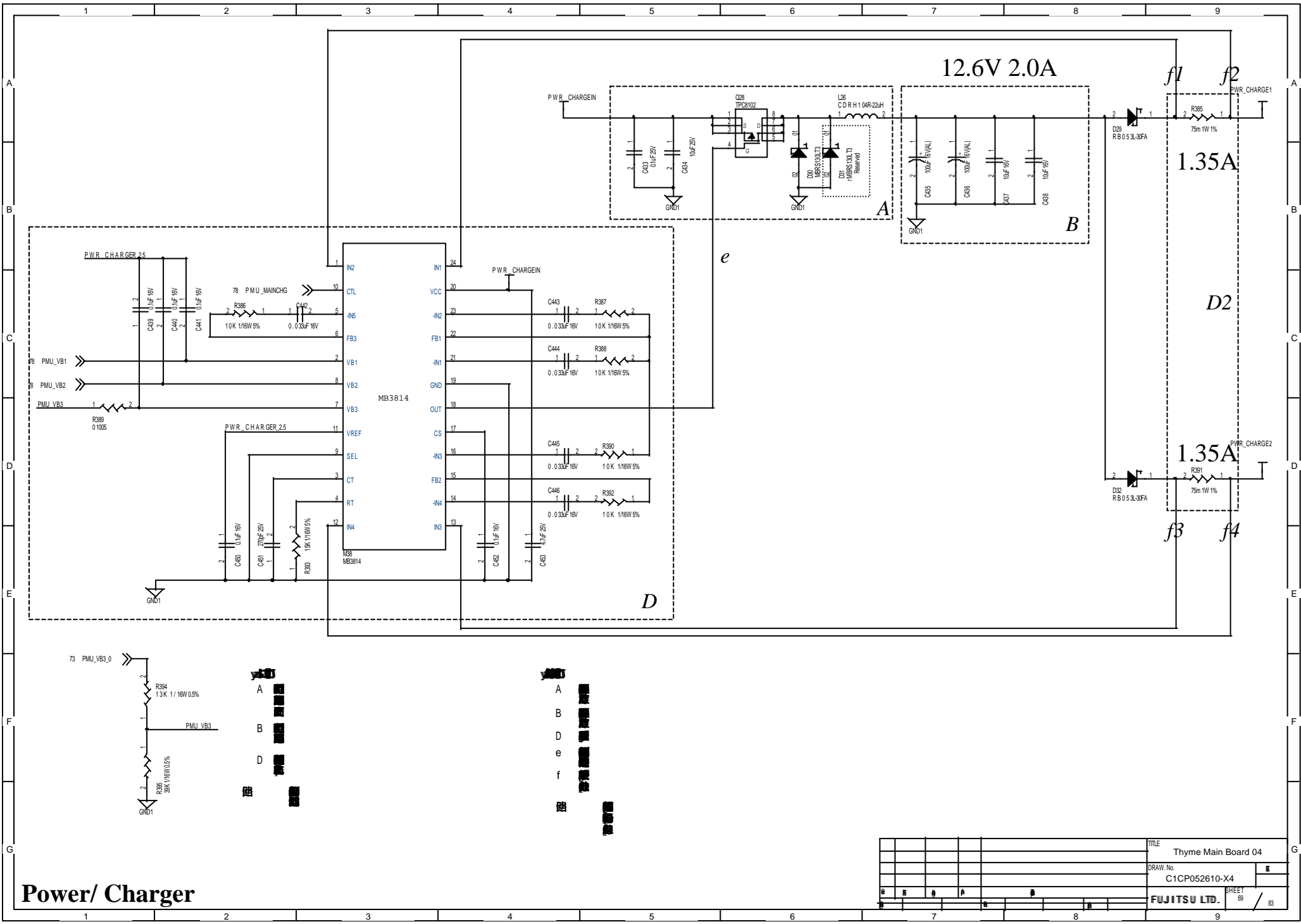
Power/ CPUCoreVcc

TITLE		Thyme Main Board 04	
DRAW. No.		C1CP052610-X4	
FUJITSU LTD.		SHEET 67 / 83	



Power/ 3VStd,5VSus

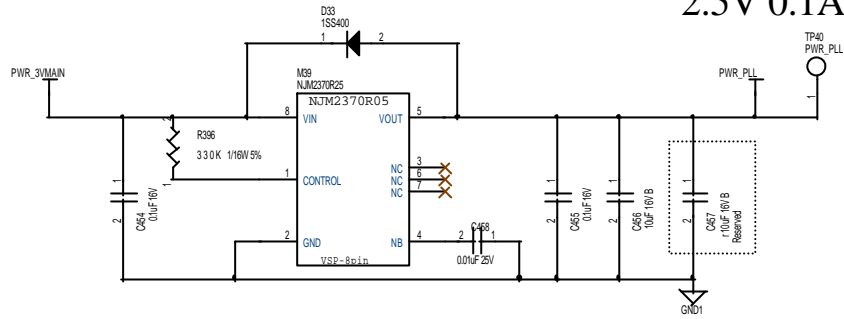
TITLE		Thyme Main Board 04	
DRAW. No.		C1CP052610-X4	
FUJITSU LTD.		SHEET 68 / 83	



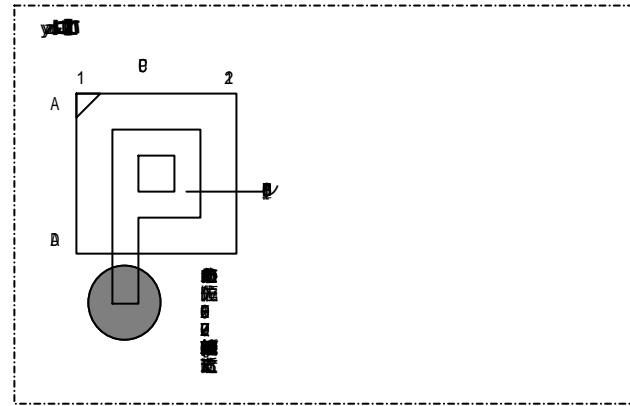
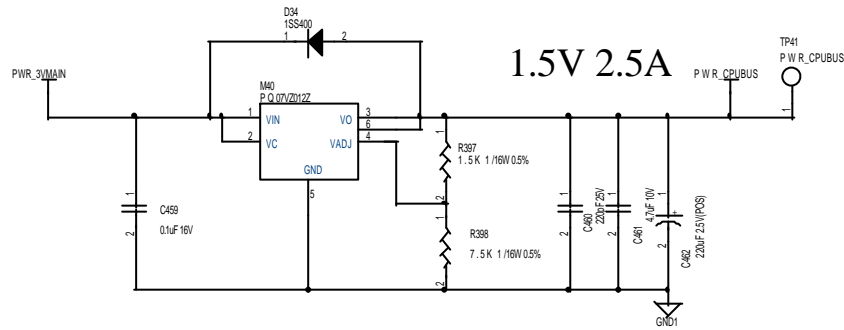
**Power/ Charger**

TITLE		Thyme Main Board 04	
DRAW. No.		C1CP052610-X4	
FUJITSU LTD.		SHEET 69 / 83	

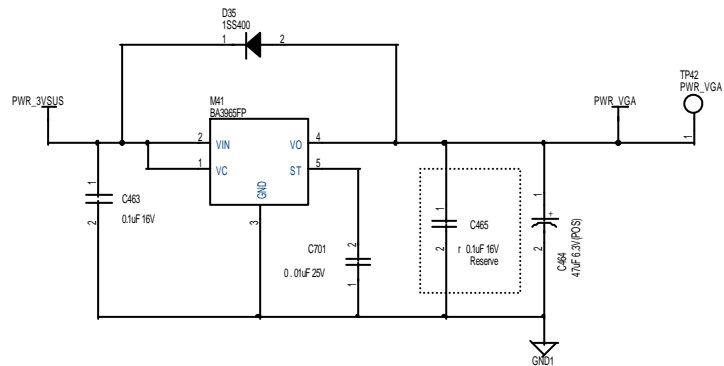
2.5V 0.1A



1.5V 2.5A



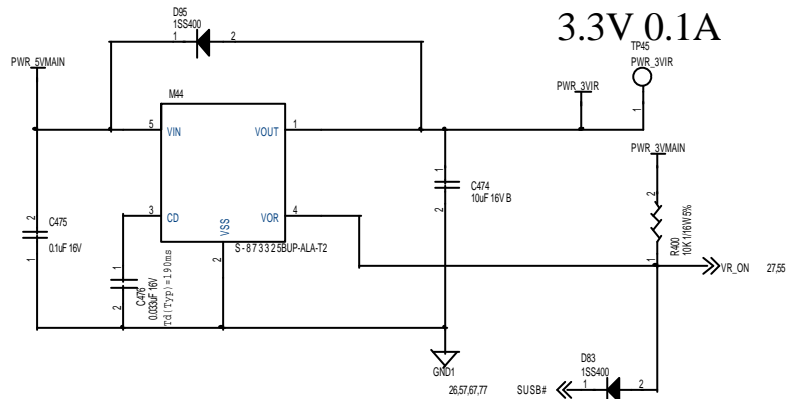
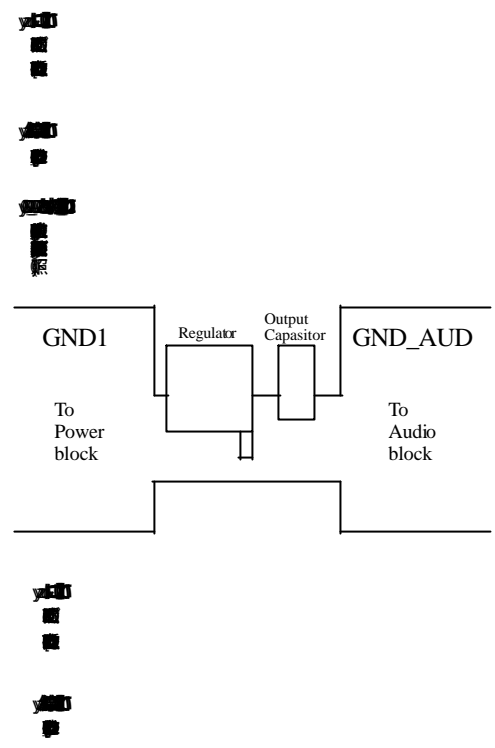
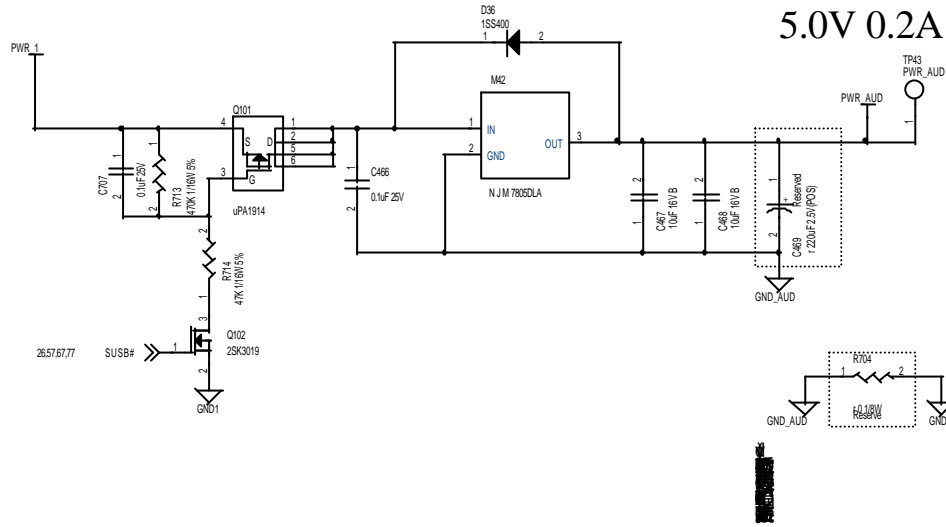
2.5V 0.85A



**Power/LDO\_SYSTEM**

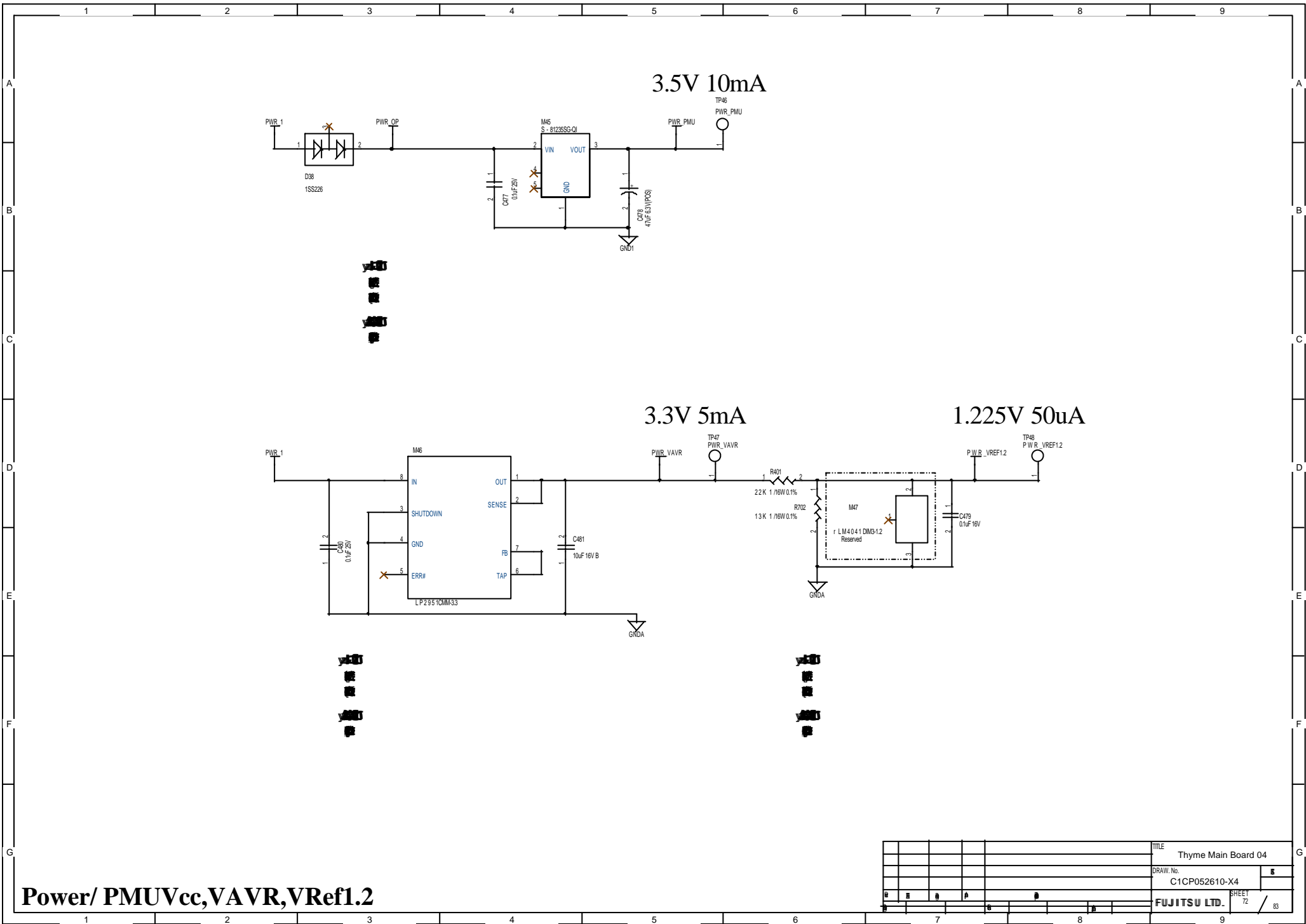
TITLE		Thyme Main Board 04	
DRAW. No.		C1CP052610-X4	
FUJITSU LTD.		SHEET 70 / 83	

このページのPWR\_AUD, PWR\_MICを作る  
回路はオーディオ近傍に配置すること



Power/LDO/Audio,IR

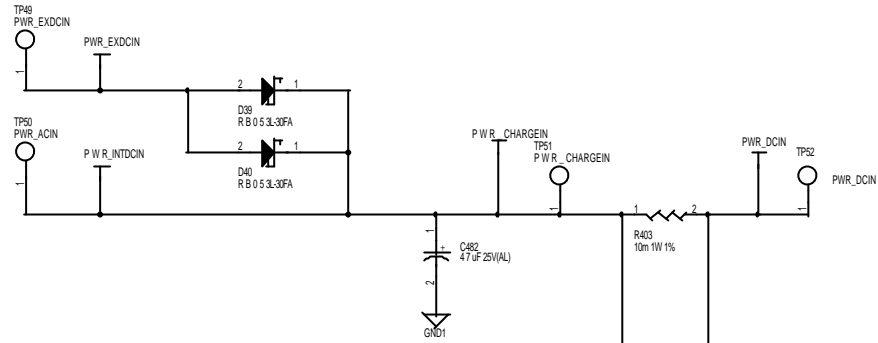
TITLE		Thyme Main Board 04	
DRAW. No.		C1CP052610-X4	
FUJITSU LTD.		SHEET 71 / 83	



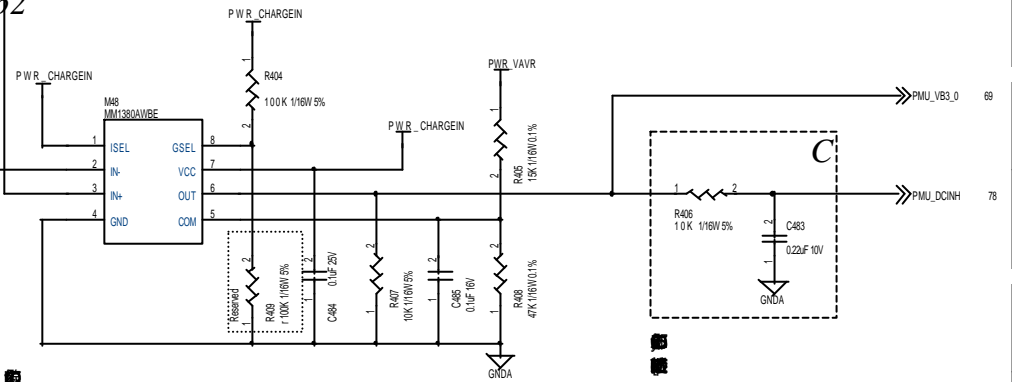
**Power/ PMUVcc,VAVR,VRef1.2**

TITLE		Thyme Main Board 04	
DRAW. No.		C1CP052610-X4	
FUJITSU LTD.		SHEET 72 / 83	





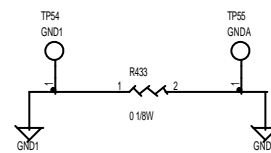
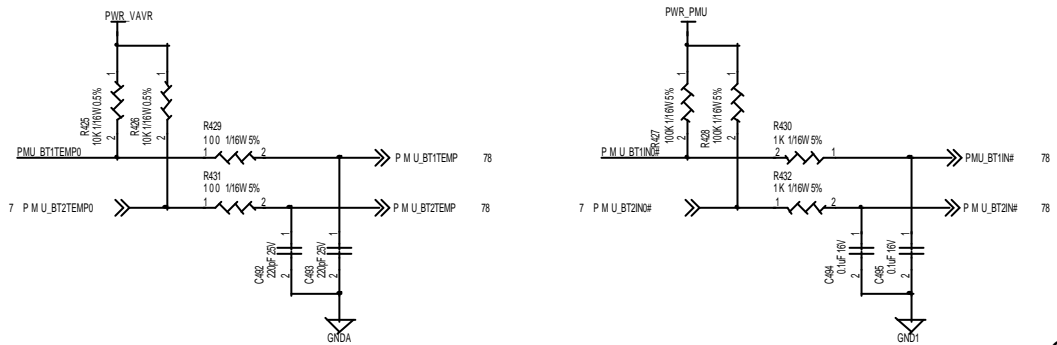
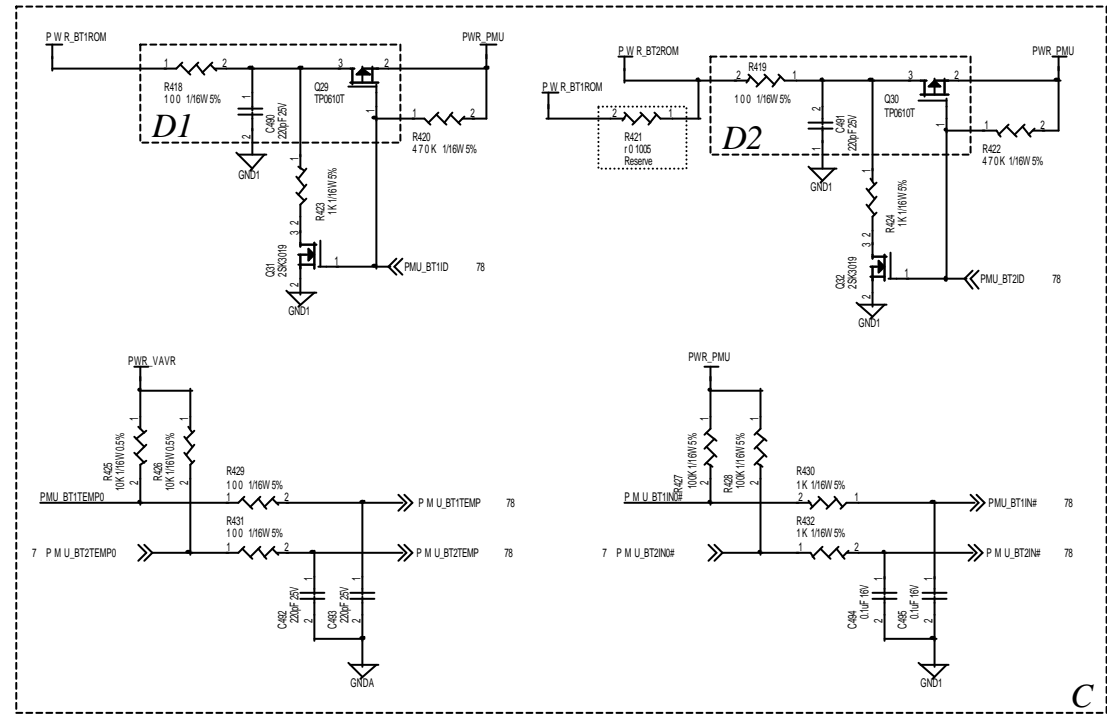
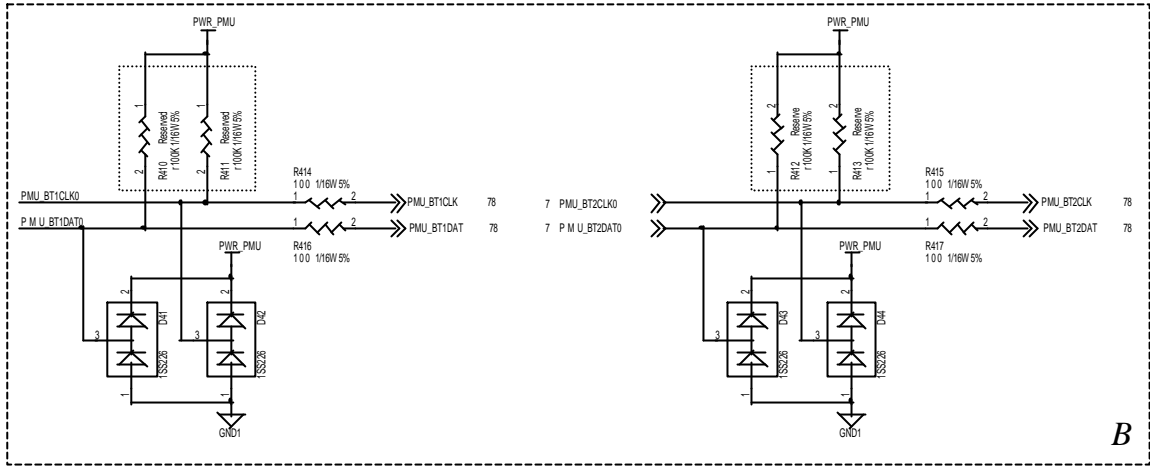
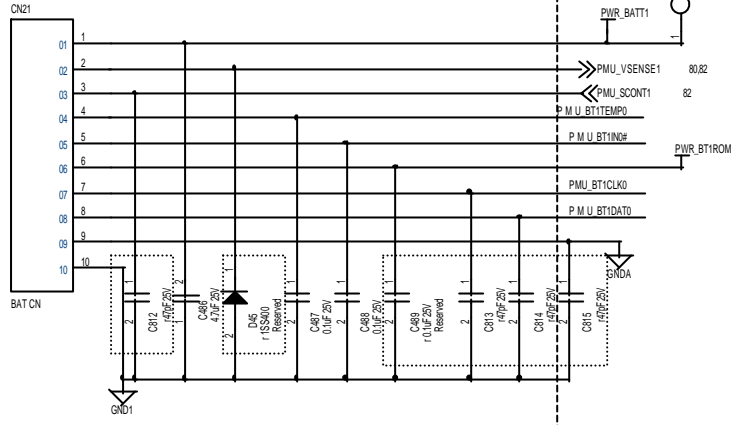
b1 b2



# Power/ DCIn Connector

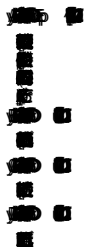
TITLE		Thyme Main Board 04	
DRAW. No.		C1CP052610-X4	
FUJITSU LTD.		SHEET 73 / 83	

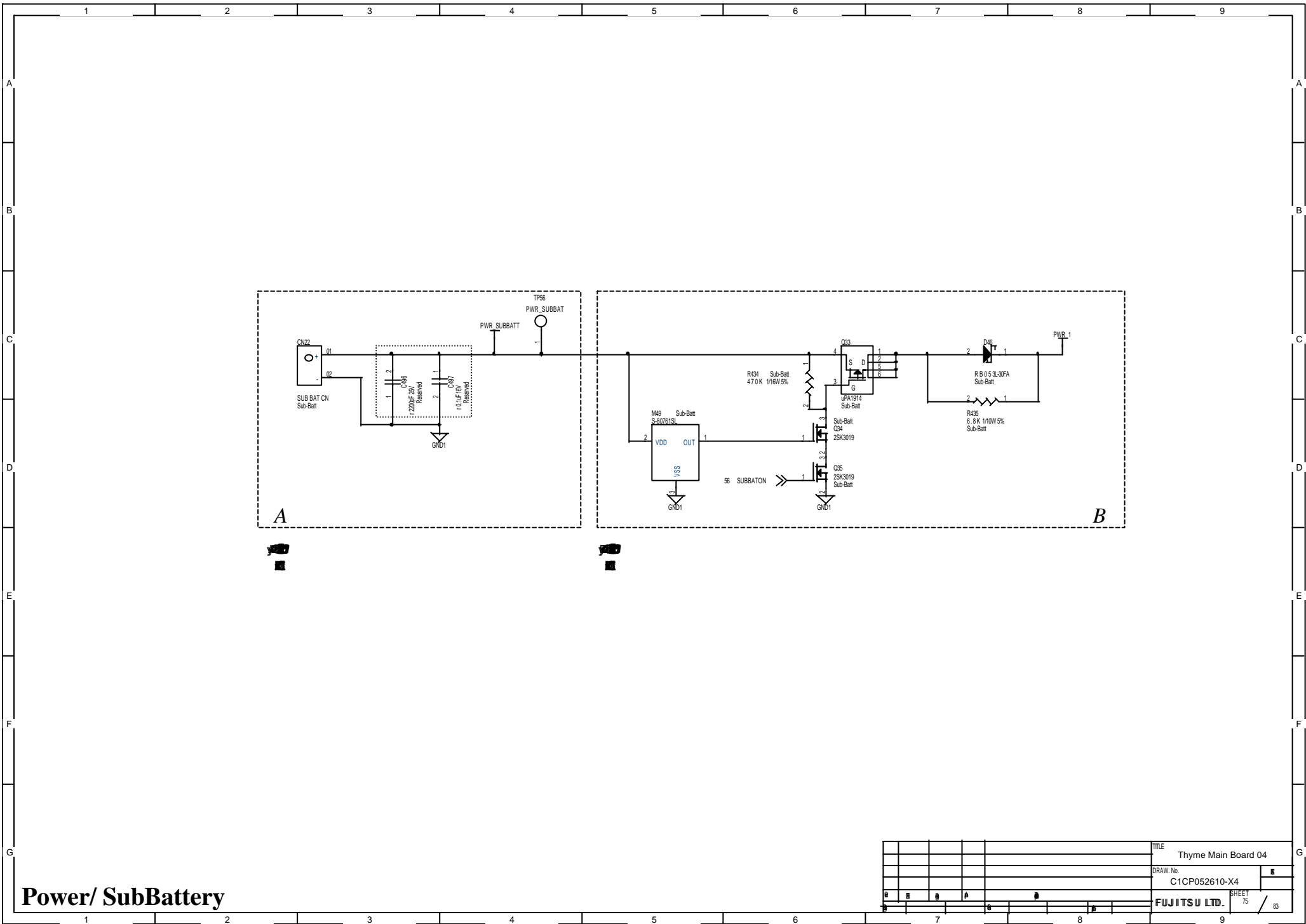
1st BATTERY



TITLE		Thyme Main Board 04	
DRAW.No.		C1CP052610X4	
FUJITSU LTD.		SHEET 74 / 83	

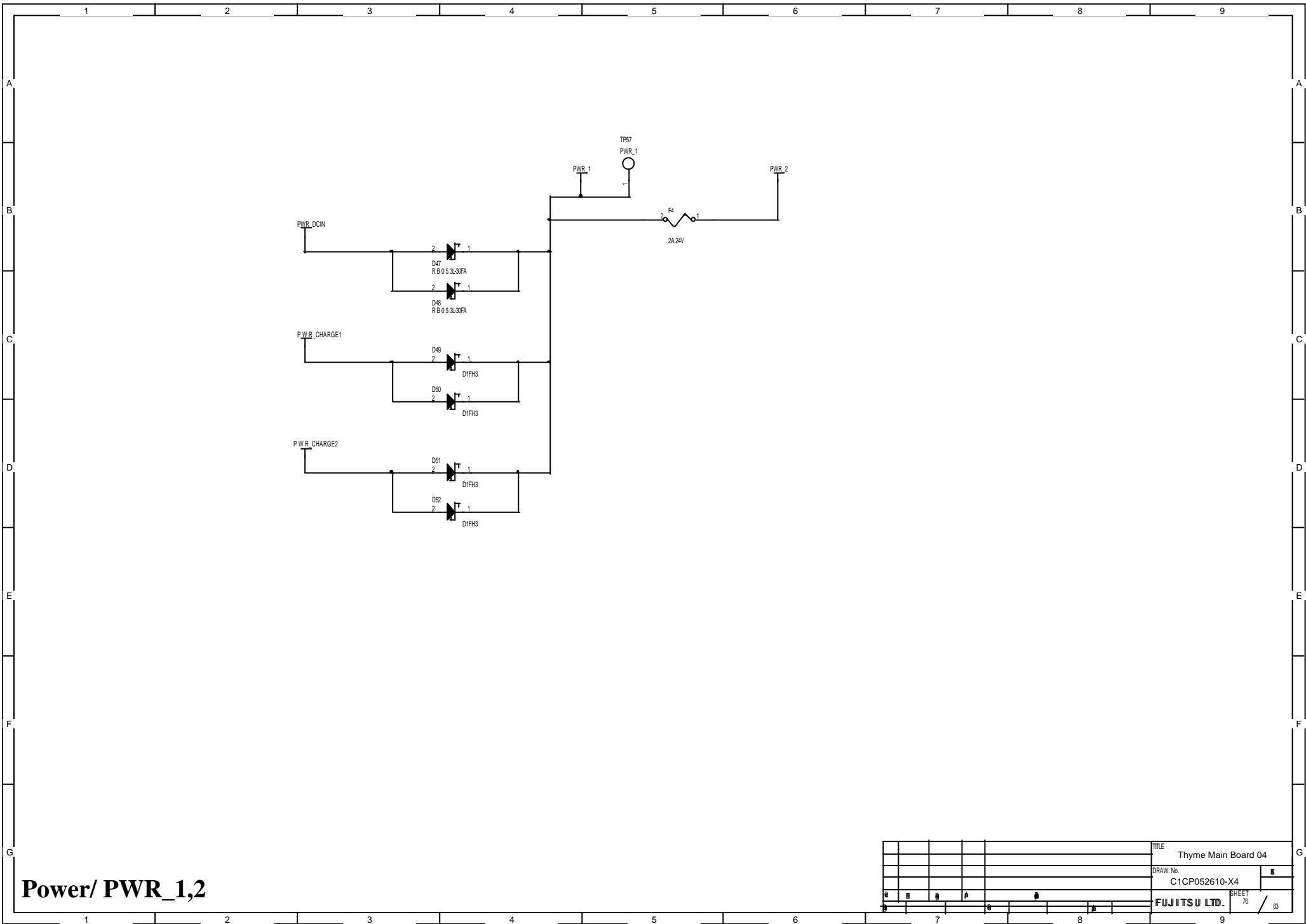
Power/ Battery Connector





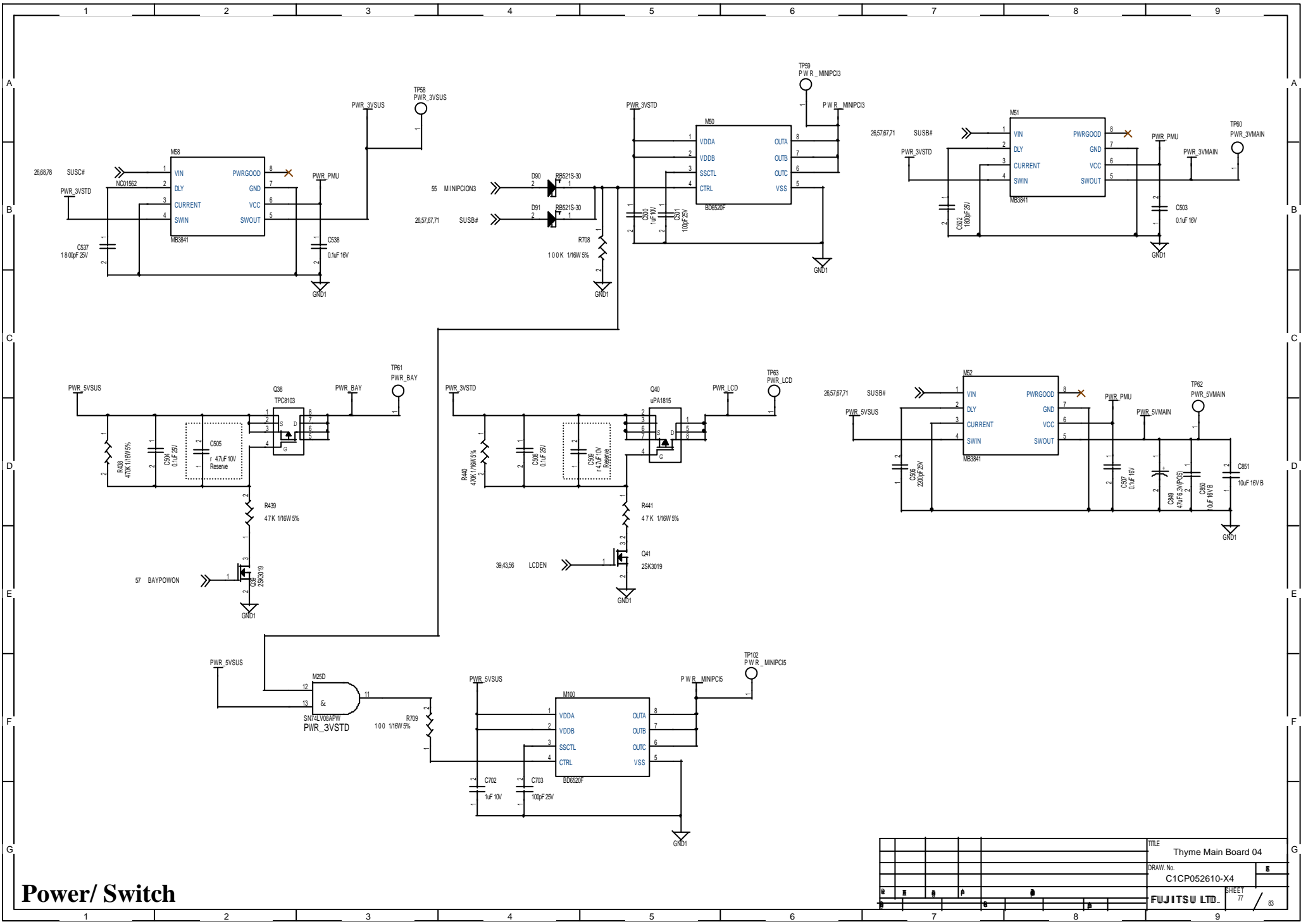
**Power/ SubBattery**

TITLE		Thyme Main Board 04	
DRAW. No.		C1CP052610-X4	
FUJITSU LTD.		SHEET 75 / 83	



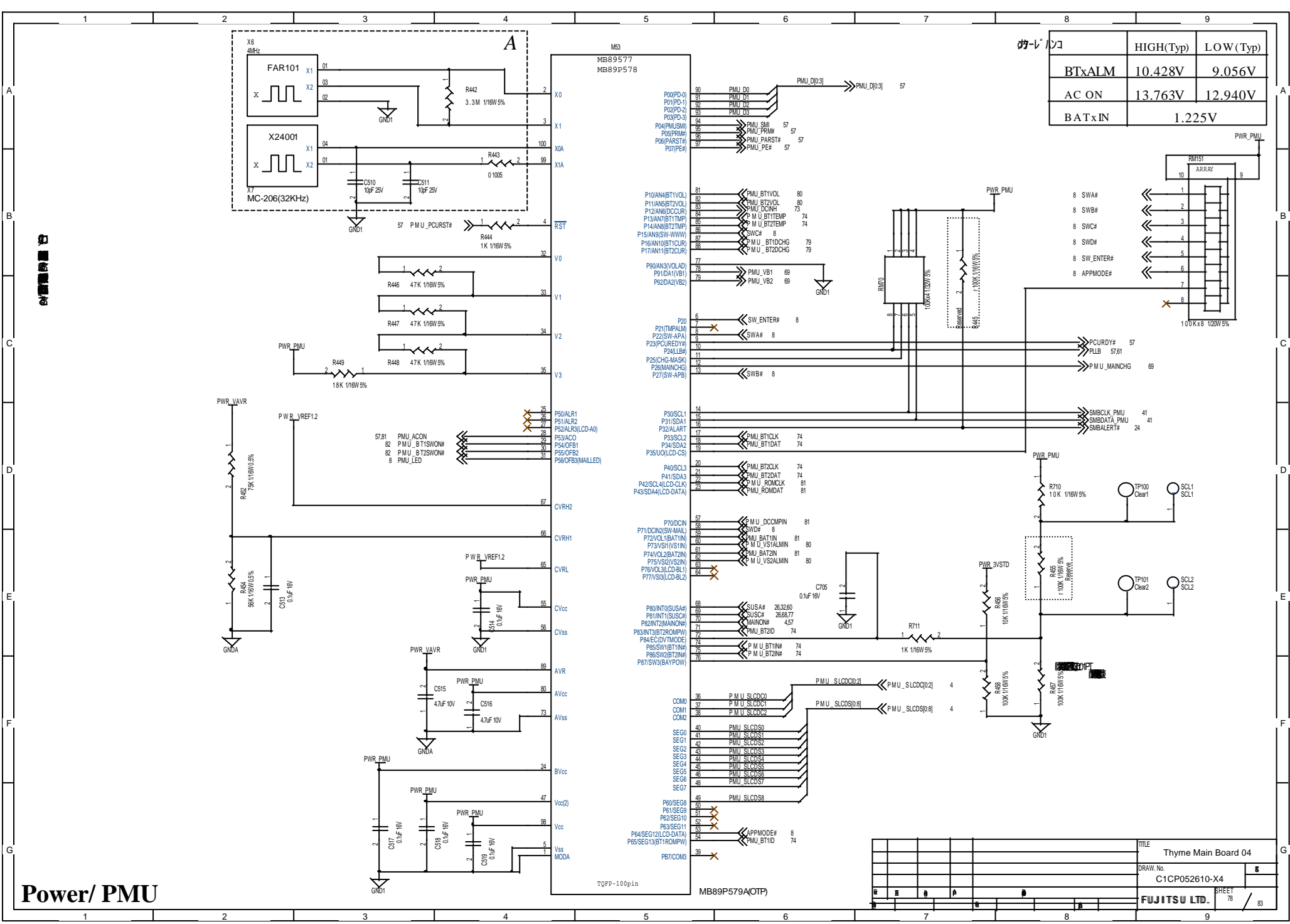
**Power/ PWR\_1,2**

TITLE		Thyme Main Board 04	
DRAW. No.		C1CP052610-X4	
FUJITSU LTD.		SHEET 76 / 83	



**Power/ Switch**

TITLE		Thyme Main Board 04	
DRAW. No.		C1CP052610-X4	
FUJITSU LTD.		SHEET 77 / 83	

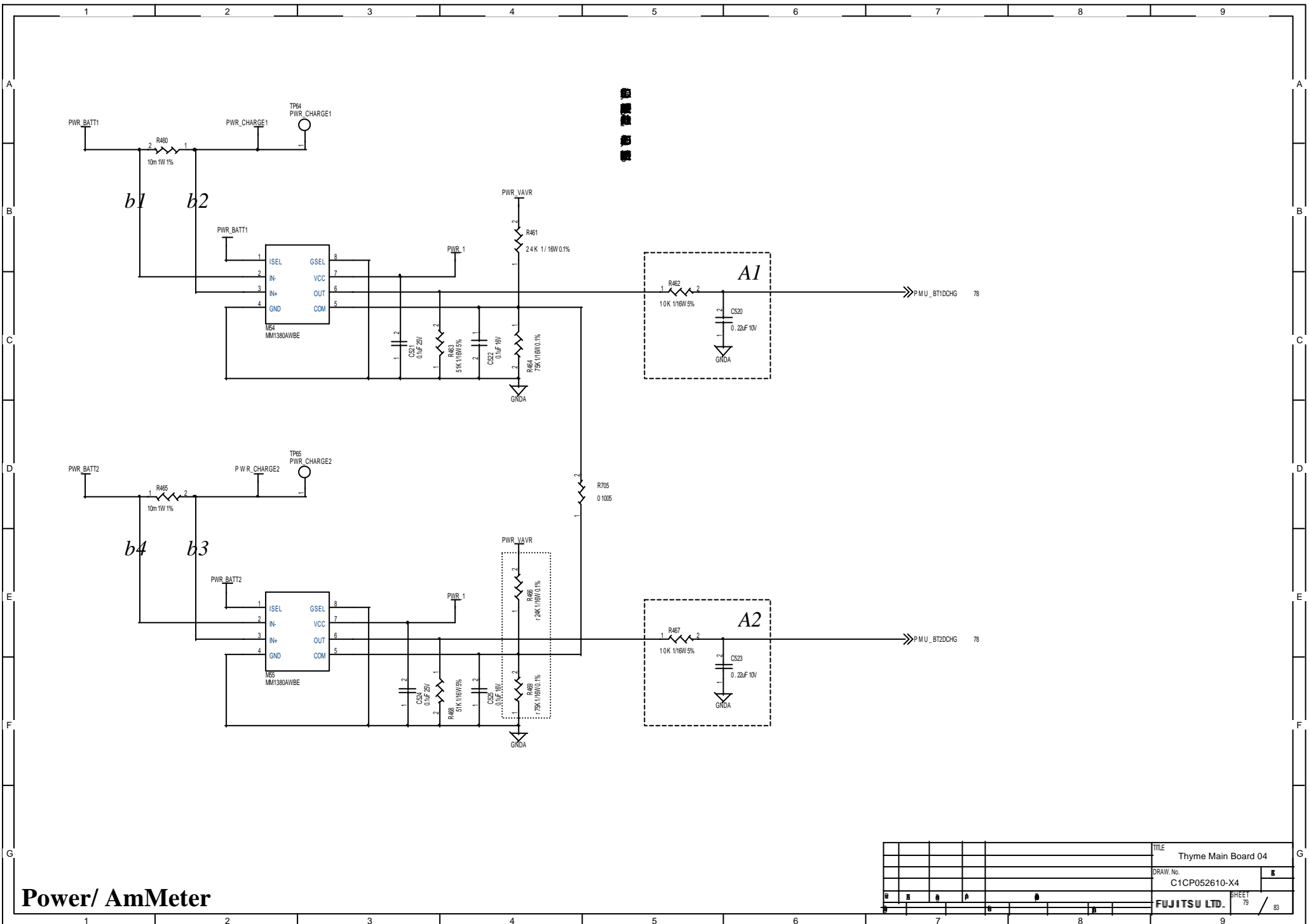


	HIGH(Typ)	LOW(Typ)
BTxALM	10.428V	9.056V
AC ON	13.763V	12.940V
BATxIN	1.225V	

電源回路図

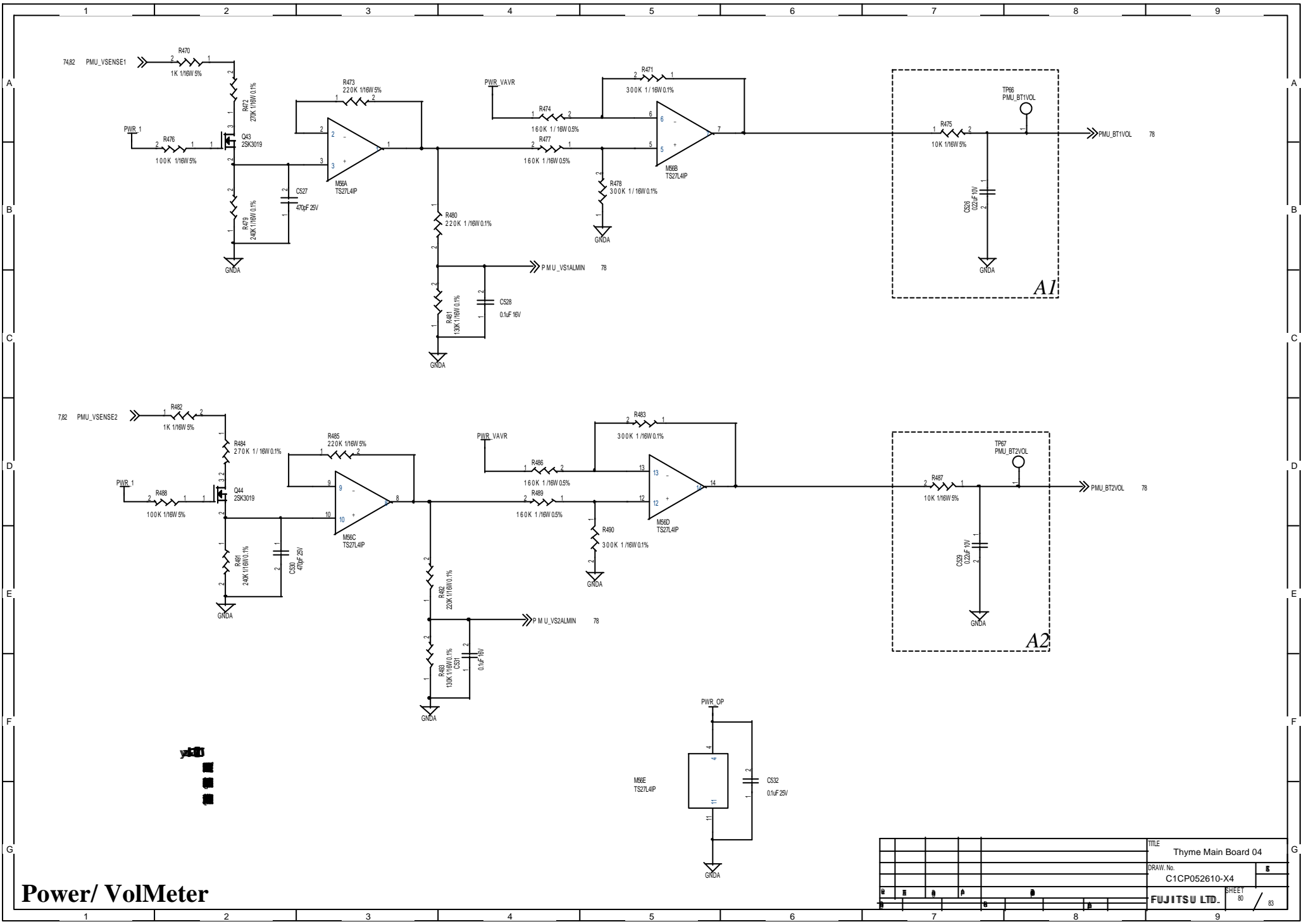
# Power/ PMU

TITLE	Thyme Main Board 04
DRAW. No.	C1CP052610-X4
FUJITSU LTD.	SHEET 78 / 83



**Power/ AmMeter**

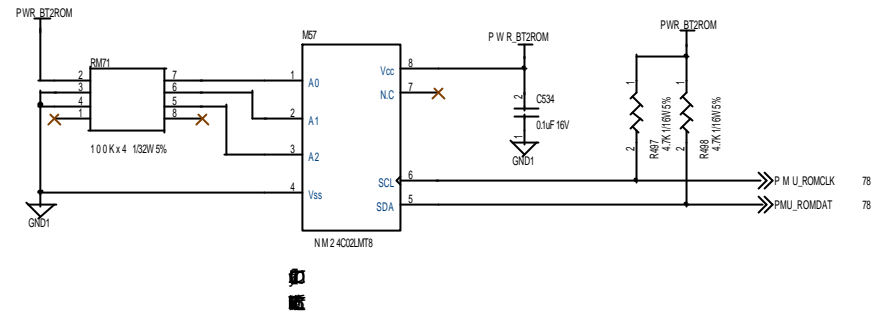
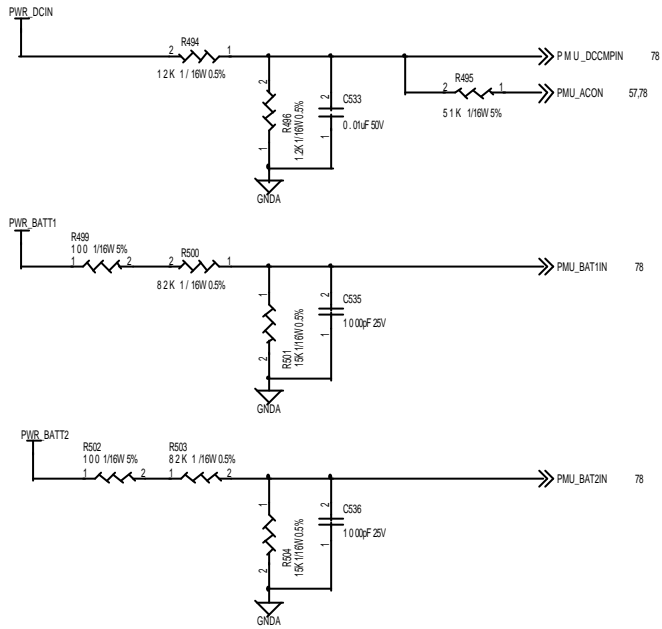
TITLE		Thyme Main Board 04	
DRAW. No.		C1CP052610-X4	
FUJITSU LTD.		SHEET 79 / 83	



**Power/ VolMeter**

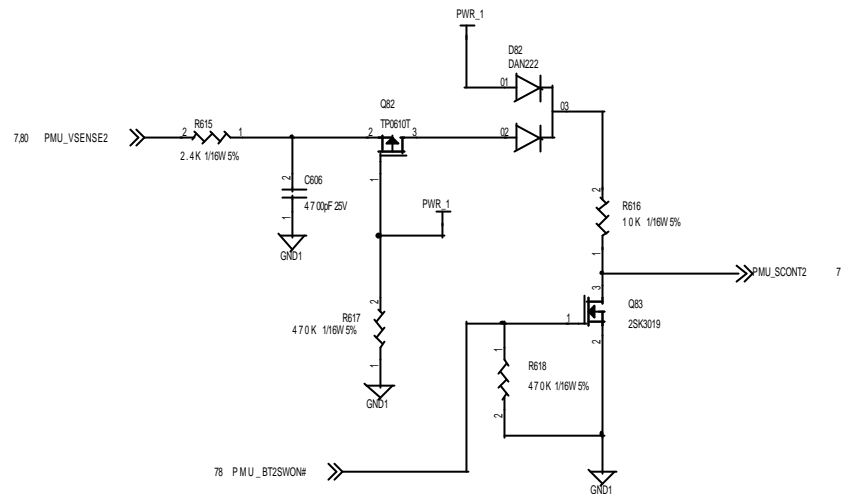
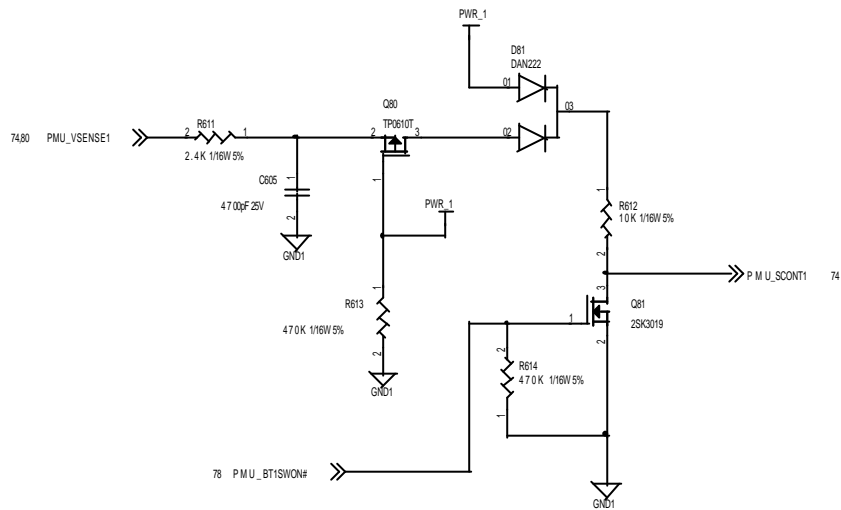
TITLE		Thyme Main Board 04	
DRAW. No.		C1CP052610-X4	
FUJITSU LTD.		SHEET 80 / 83	





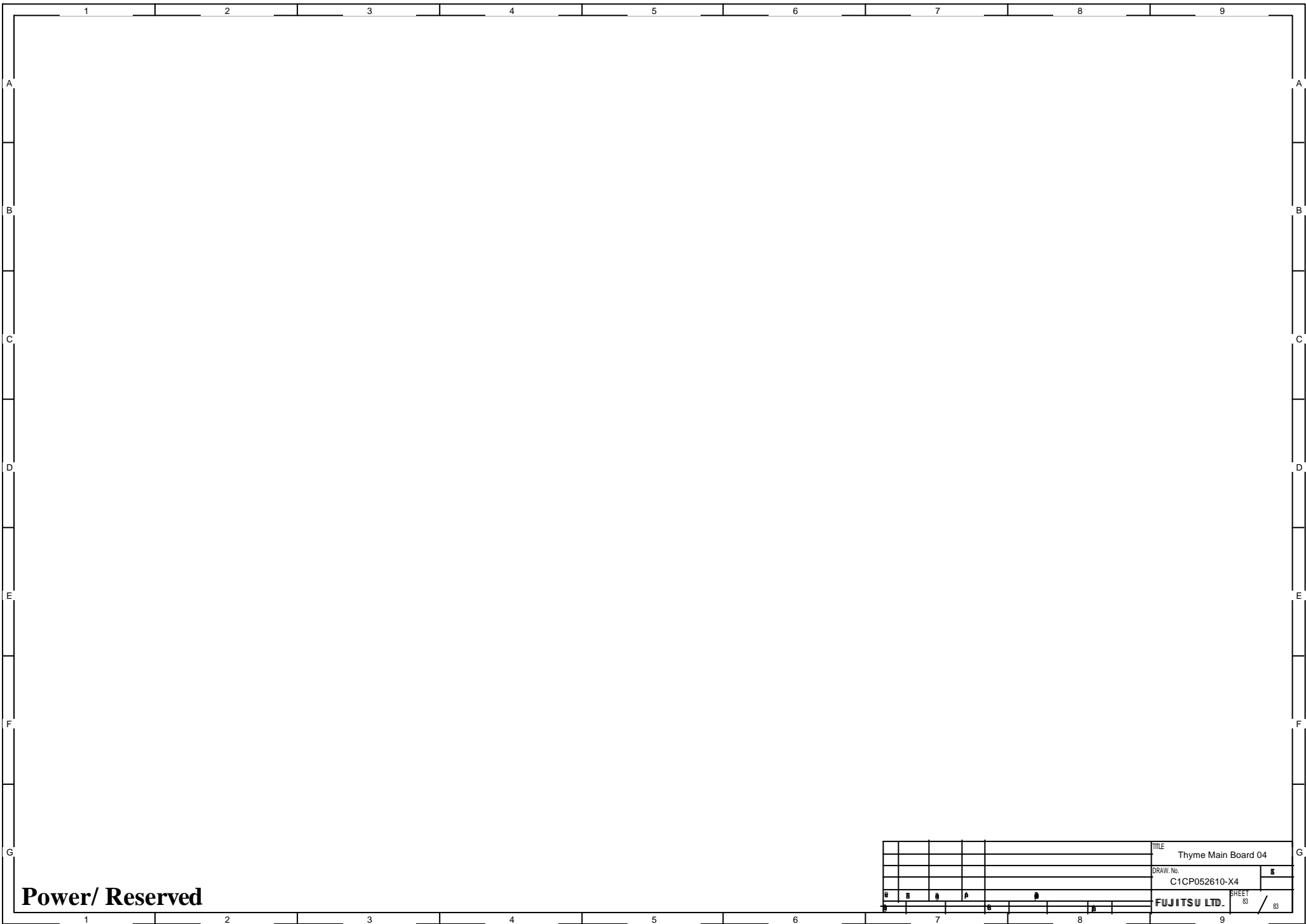
**Power/ ACon,BtIn**

TITLE		Thyme Main Board 04	
DRAW. No.		C1CP052610-X4	
FUJITSU LTD.		SHEET 81 / 83	



**Power/ Scont**

TITLE		Thyme Main Board 04	
DRAW. No.		C1CP052610-X4	
FUJITSU LTD.		SHEET 82 / 83	



**Power/ Reserved**

										TITLE	Thyme Main Board 04	
										DRAW. No.	C1CP052610-X4	
											<b>FUJITSU LTD.</b>	SHEET 83 / 83