

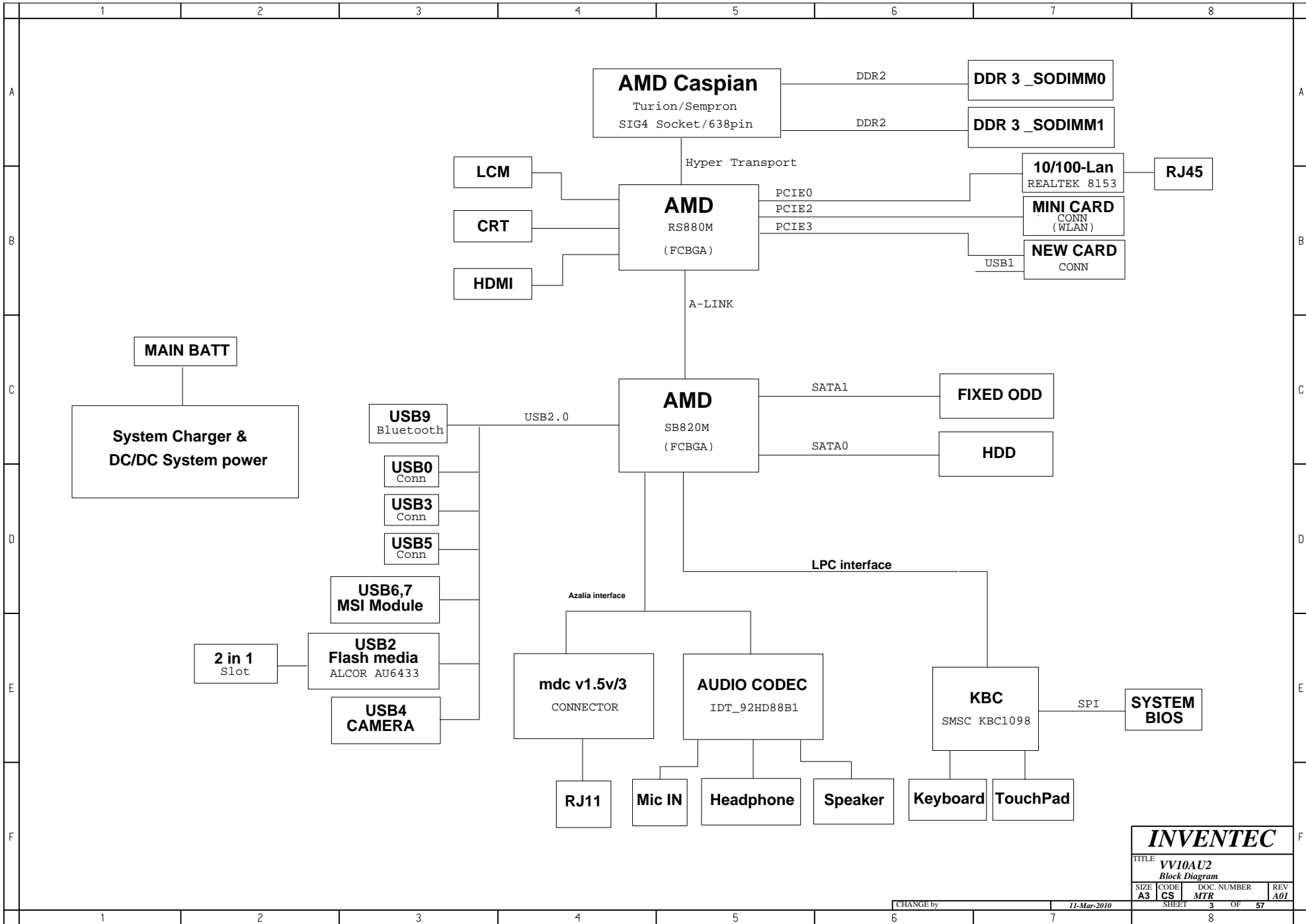


**TABLE OF CONTENTS**

|   |  |   |
|---|--|---|
| <p><b>PAGE</b></p> <p>5- DC&amp; BATTERY CHARGER</p> <p>6- SELECT &amp; BATTERY CONN</p> <p>7- +V5A,+V3A &amp; +V2.5S</p> <p>8- OCP</p> <p>9- +VCC_NB &amp; +V1.2A</p> <p>10- +VCC_CORE</p> <p>11- +V1.1S &amp; +V1.5S_VGA</p> <p>12- DDR2 POWER</p> <p>13- POWER(SLEEP)</p> <p>14- POWER(SEQUENCE)</p> | <p><b>PAGE</b></p> <p>15- CPU-1</p> <p>16- CPU-2</p> <p>17- CPU-3</p> <p>18- CPU-4</p> <p>19- DDR2-DIMM0</p> <p>20- DDR2-DIMM1</p> <p>22- THERMAL&amp;FAN CONTROLLER</p> <p>23- RS880M-1</p> <p>24- RS880M-2</p> <p>25- RS880M-3</p> <p>26- RS880M-4</p> <p>27- CRT</p> <p>28- LCD CONN &amp; WEBCAM CONN</p> <p>39- SB820-1</p> <p>30- SB820-2</p> <p>31- SB820-4</p> <p>32- SB820-3</p> <p>33- SB820-5</p> | <p><b>PAGE</b></p> <p>34- KBC</p> <p>35- KB &amp; TP CONN</p> <p>36- SPI</p> <p>37- HDD &amp; ODD CONN</p> <p>38- USB CONN</p> <p>39- AZALIA CODEC</p> <p>40- Earphone &amp; MIC JACK</p> <p>41- MDC CONN</p> <p>42- NIC 10/100 RJ45 CONN</p> <p>43- 10/100-LAN- CONTROLLER</p> <p>44- Mini CARD &amp; BT CONN</p> <p>45- NEW CARD</p> <p>46- SW/B &amp; LED/B CONN</p> <p>47- SCREW</p> <p>48- Power Plan CAP</p> <p>49- HDMI</p> <p>50- SD/MMC Card Reader</p> <p>51- Headphone &amp; MIC JACK</p> <p>52- Power Button &amp; LID Switch Board</p> <p>53- 14"ODD Extend Board</p> <p>54- USB Right Side Board</p> <p>55- Pick Button Board</p> |
|---|--|---|

**INVENTEC**

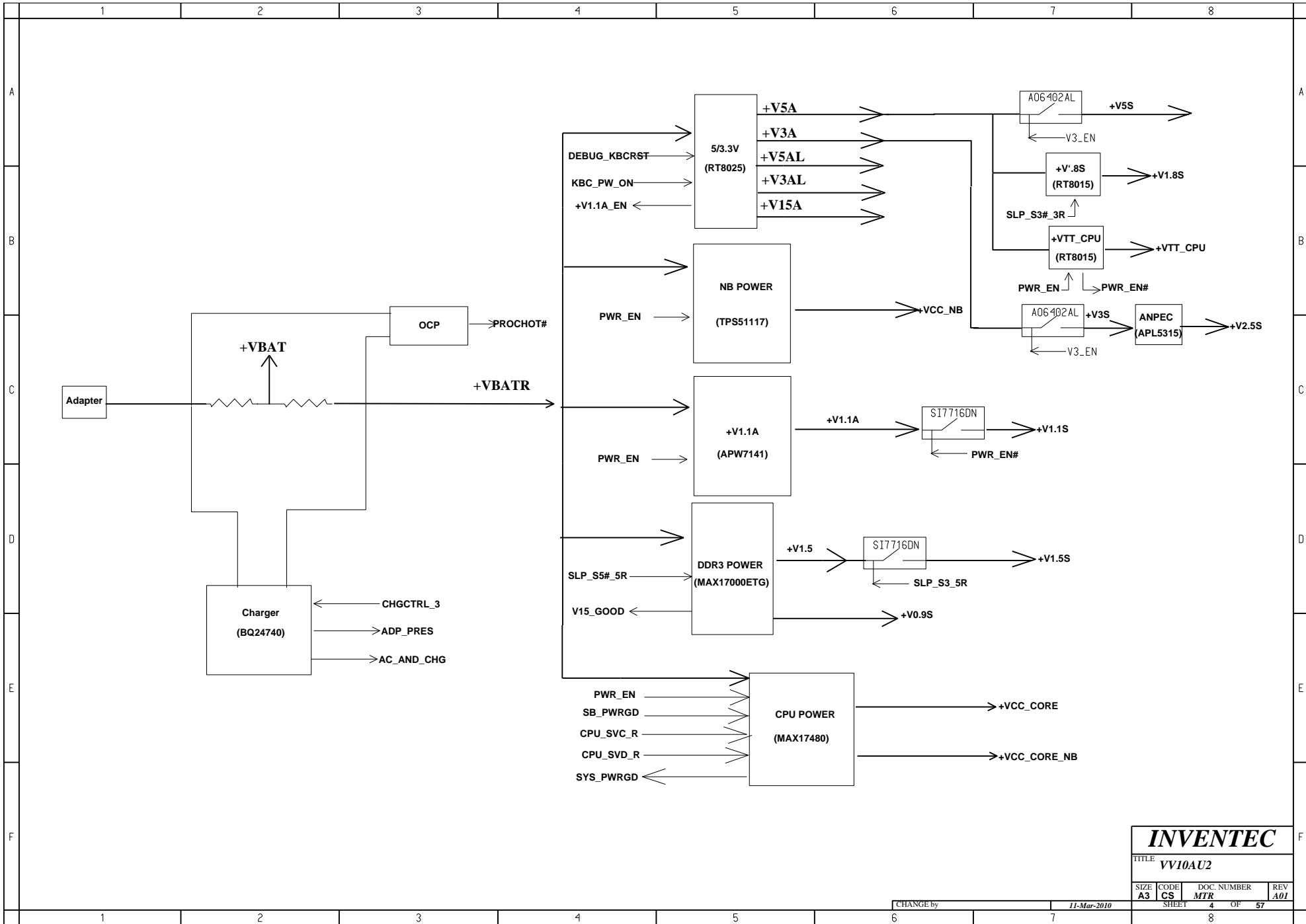
|                  |      |             |     |
|------------------|------|-------------|-----|
| TITLE            |      |             |     |
| VVI0AU2          |      |             |     |
| Table OF Content |      |             |     |
| SIZE             | CODE | DOC. NUMBER | REV |
| A3               | CS   | MTR         | A01 |
| CHANGE by        |      | 11-Mar-2010 |     |
| SHEET            |      | 2 OF 57     |     |



**INVENTEC**

|               |      |             |       |
|---------------|------|-------------|-------|
| TITLE         |      |             |       |
| VV10AU2       |      |             |       |
| Block Diagram |      |             |       |
| SIZE          | CODE | DOC. NUMBER | REV   |
| A3            | CS   | MTR         | A01   |
| SHEET         |      | 3           | OF 57 |

CHANGE by 11-Mar-2010



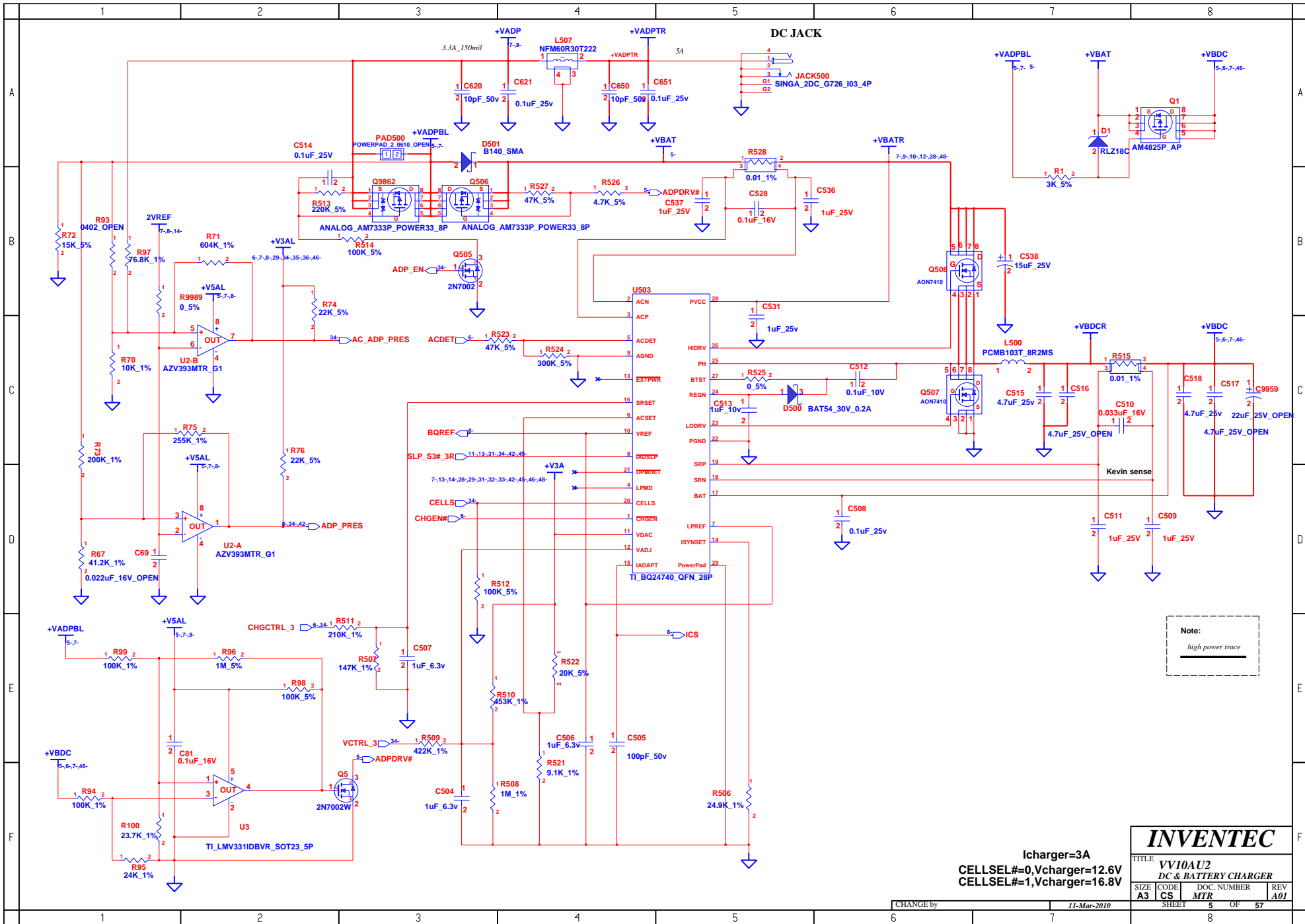
**INVENTEC**

TITLE **VV10AU2**

|      |      |             |     |
|------|------|-------------|-----|
| SIZE | CODE | DOC. NUMBER | REV |
| A3   | CS   | MTR         | A01 |

CHANGE by 11-Mar-2010

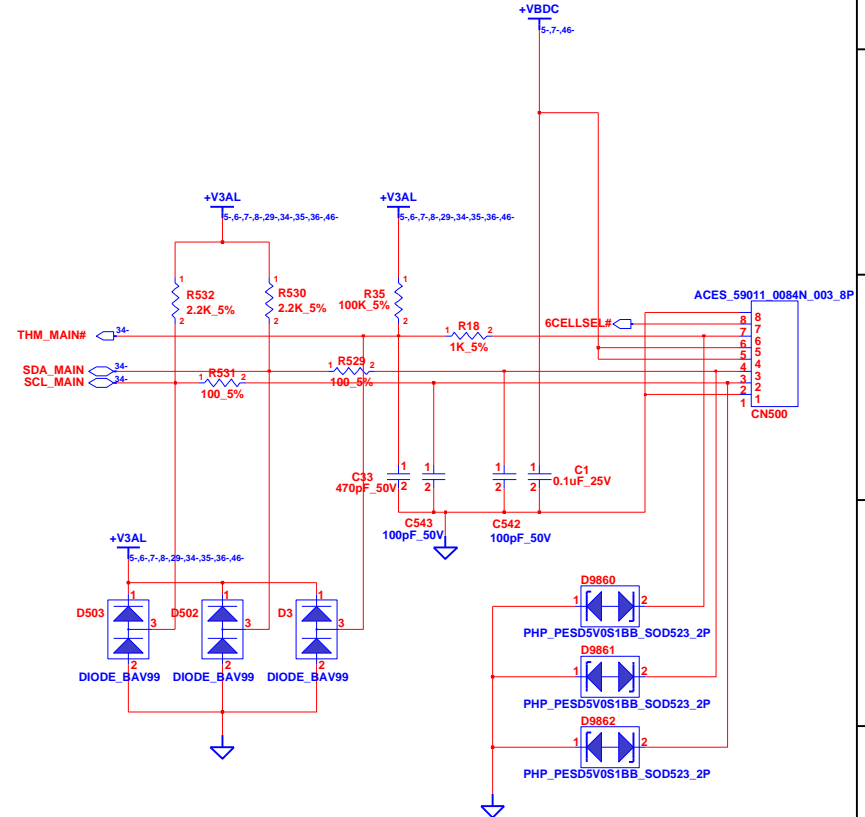
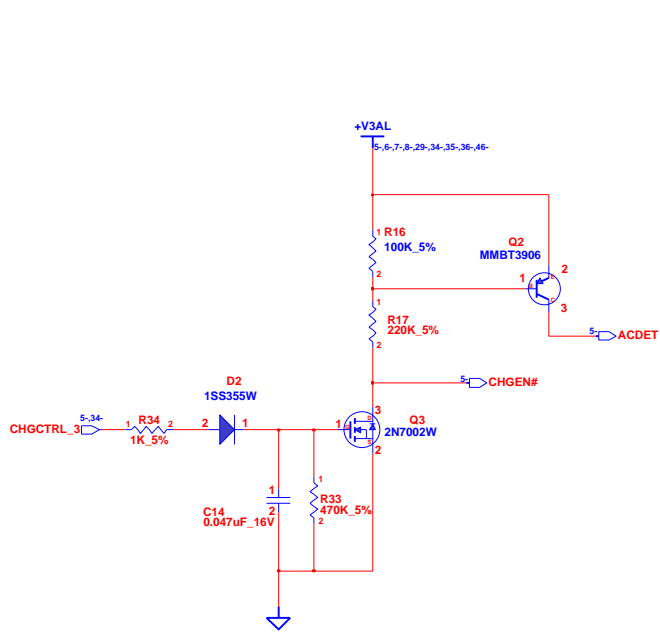
SHEET 4 OF 57



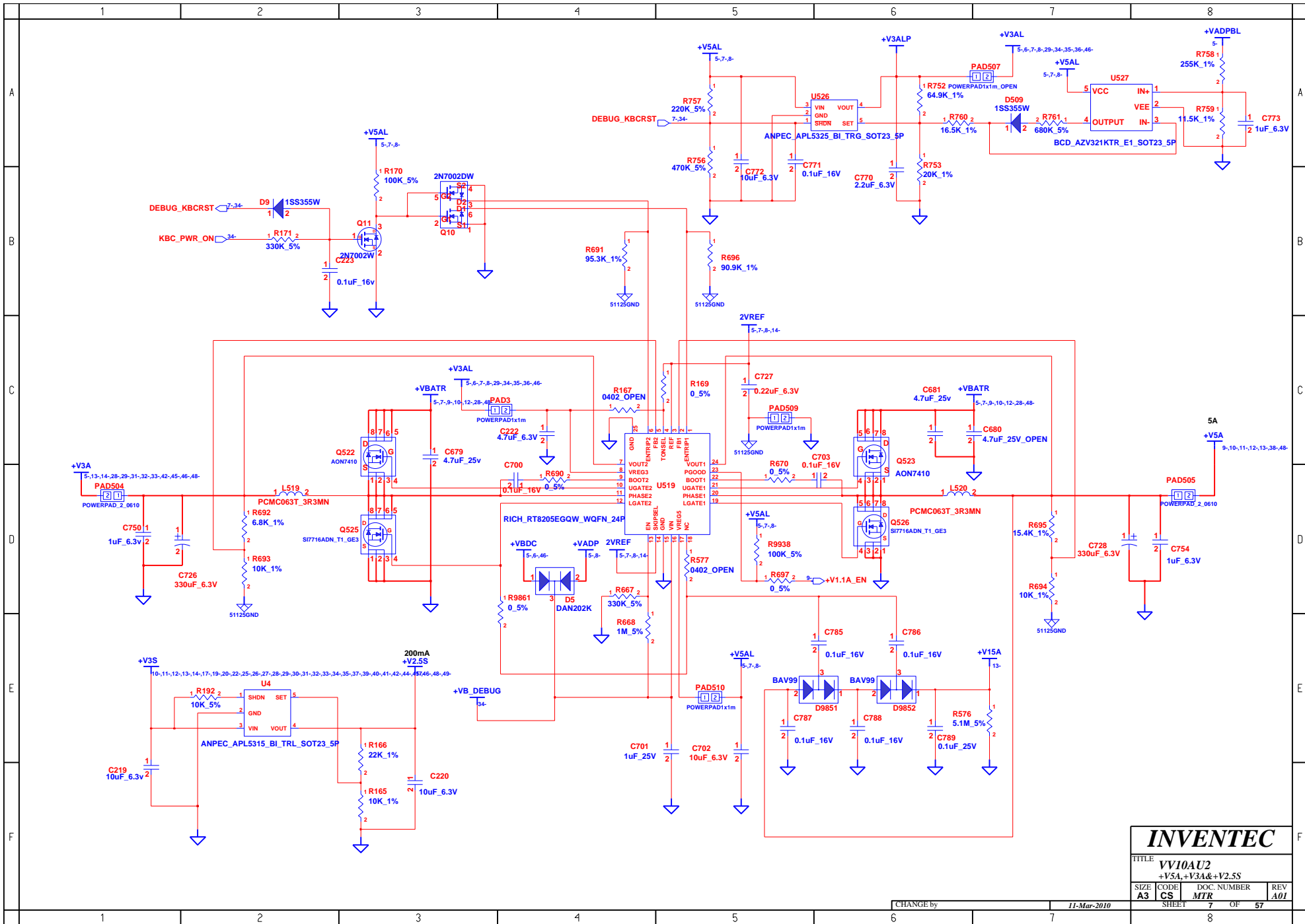
Note:  
high power trace

Icharger=3A  
CELLSEL#=0,Vcharger=12.6V  
CELLSEL#=1,Vcharger=16.8V

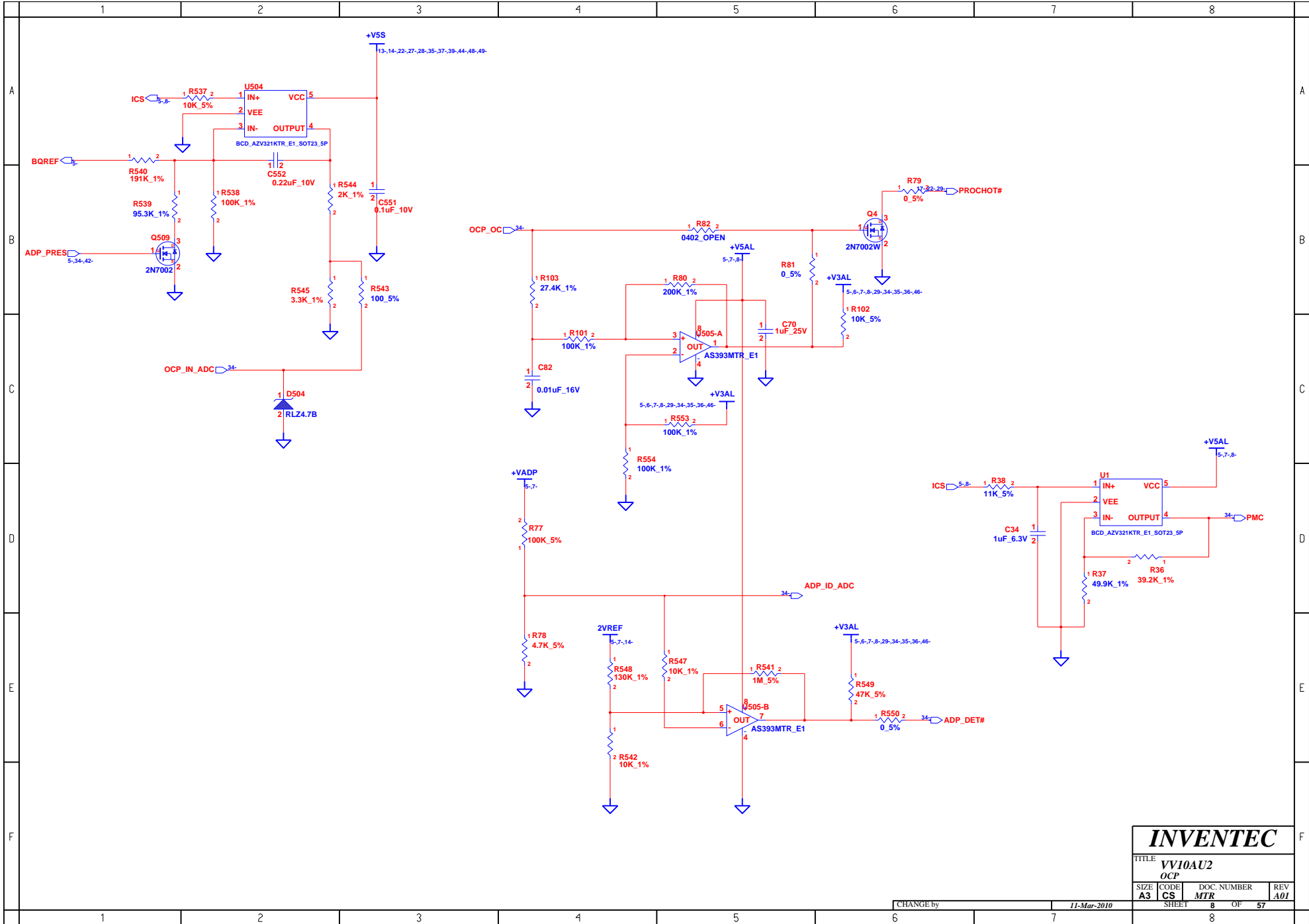
|                      |      |             |     |
|----------------------|------|-------------|-----|
| <b>INVENTEC</b>      |      |             |     |
| TITLE <b>VV10AU2</b> |      |             |     |
| DC & BATTERY CHARGER |      |             |     |
| SIZE                 | CODE | DOC. NUMBER | REV |
| A3                   | CS   | MTR         | A01 |
| CHANGE by            |      | 11-Mar-2010 |     |
| SHEET                |      | 5 OF 57     |     |
|                      |      | 8           |     |



|                                  |      |             |               |
|----------------------------------|------|-------------|---------------|
| <b>INVENTEC</b>                  |      |             |               |
| TITLE                            |      |             |               |
| VV10AU2<br>SELECT & BATTERY CONN |      |             |               |
| SIZE                             | CODE | DOC. NUMBER | REV           |
| A3                               | CS   | MTR         | A01           |
| CHANGE by                        |      | 11-Mar-2010 | SHEET 6 OF 57 |



|                                      |            |                    |            |
|--------------------------------------|------------|--------------------|------------|
| <b>INVENTEC</b>                      |            |                    |            |
| TITLE<br>VV10AU2<br>+V5A,+V3A&+V2.5S |            |                    |            |
| SIZE<br>A3                           | CODE<br>CS | DOC. NUMBER<br>MTR | REV<br>A01 |
| CHANGE by                            |            | 11-Mar-2010        |            |
| SHEET 7                              |            | OF 57              |            |

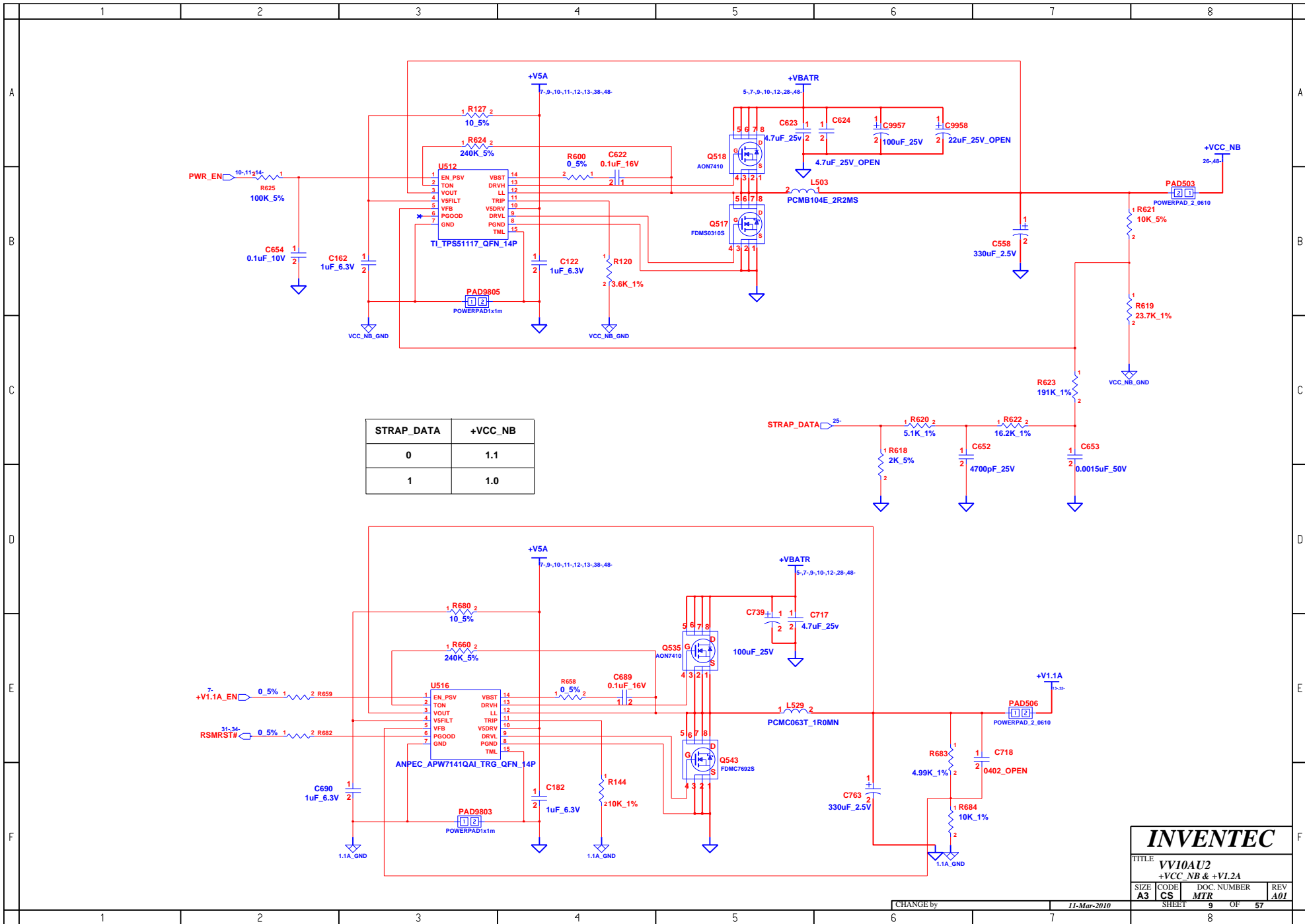


**INVENTEC**

|         |      |             |     |
|---------|------|-------------|-----|
| TITLE   |      |             |     |
| VV10AU2 |      |             |     |
| OCP     |      |             |     |
| SIZE    | CODE | DOC. NUMBER | REV |
| A3      | CS   | MTR         | A01 |
| SHEET   |      | OF          | 57  |
|         |      | 8           |     |

CHANGE by 11-Mar-2010





**INVENTEC**

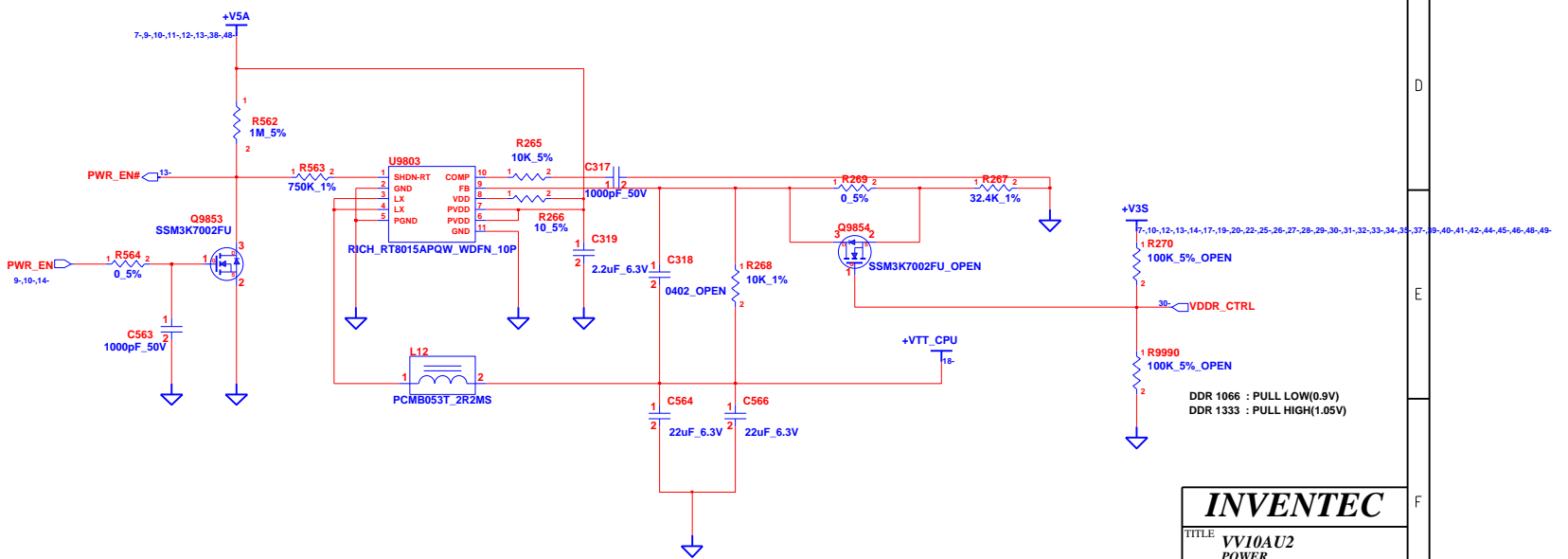
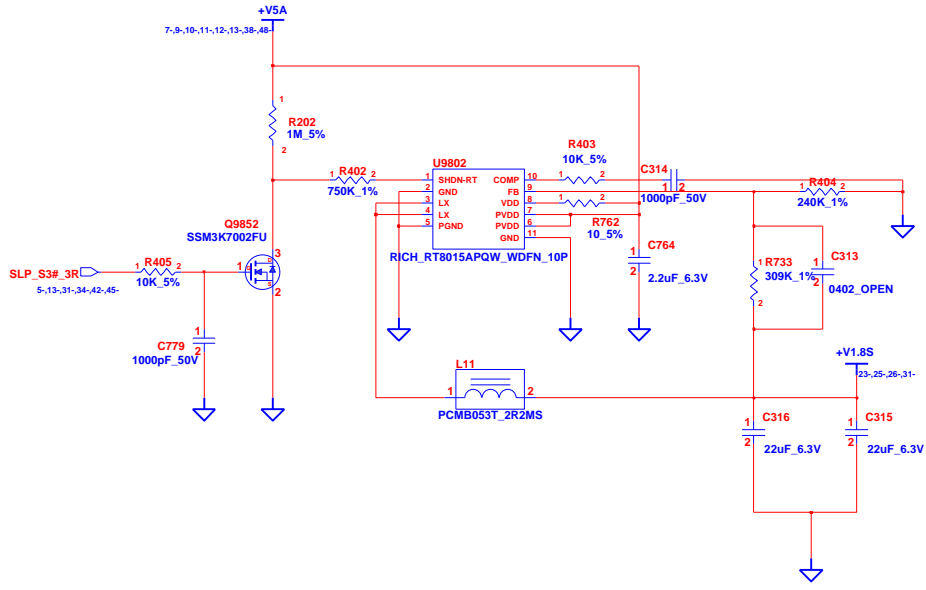
TITLE  
VV10AU2  
+VCC\_NB & +V1.2A

|            |            |                    |            |
|------------|------------|--------------------|------------|
| SIZE<br>A3 | CODE<br>CS | DOC. NUMBER<br>MTR | REV<br>A01 |
|------------|------------|--------------------|------------|

SHEET 9 OF 57

CHANGE by 11-Mar-2010





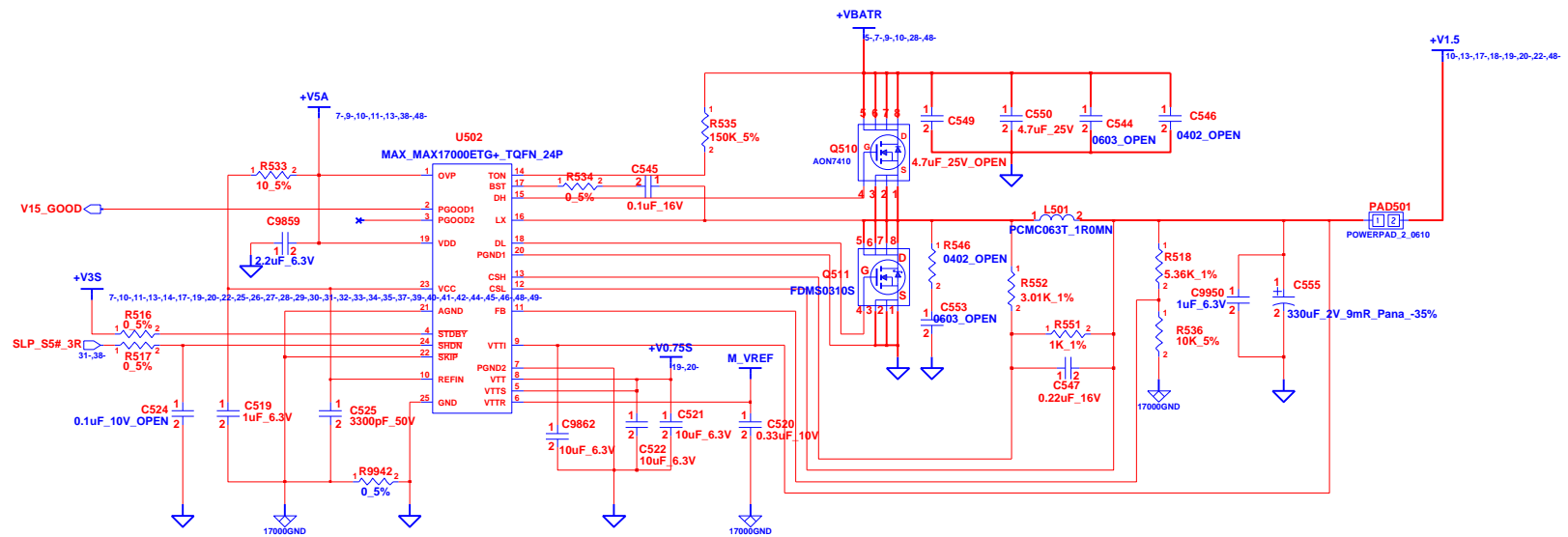
**INVENTEC**

TITLE  
VV10AU2  
POWER

|            |            |                    |            |
|------------|------------|--------------------|------------|
| SIZE<br>A3 | CODE<br>CS | DOC. NUMBER<br>MTR | REV<br>A01 |
|------------|------------|--------------------|------------|

SHEET 11 OF 57

CHANGE by 11-Mar-2010

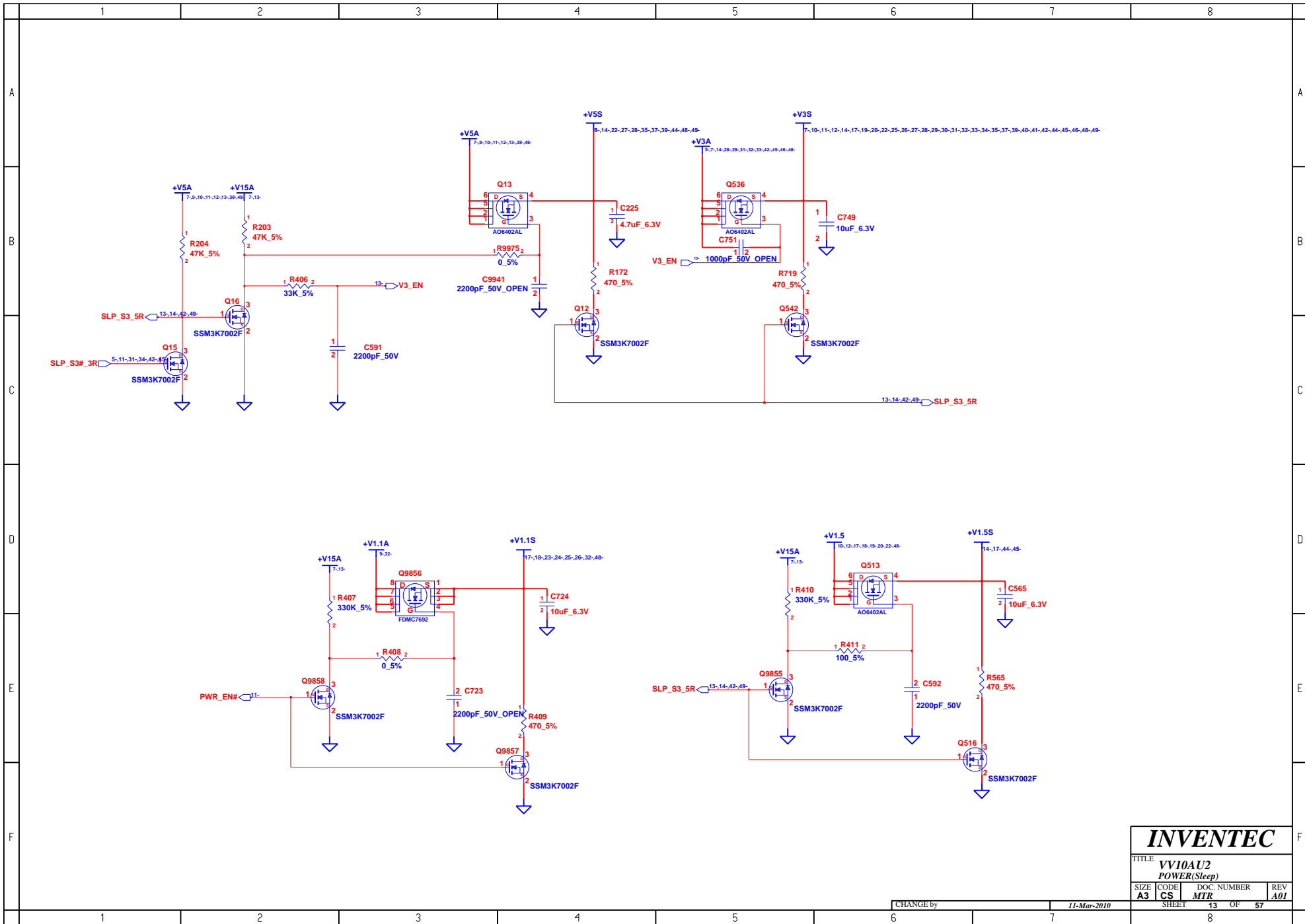


NOTE: DDR2 REGULATOR

# INVENTEC

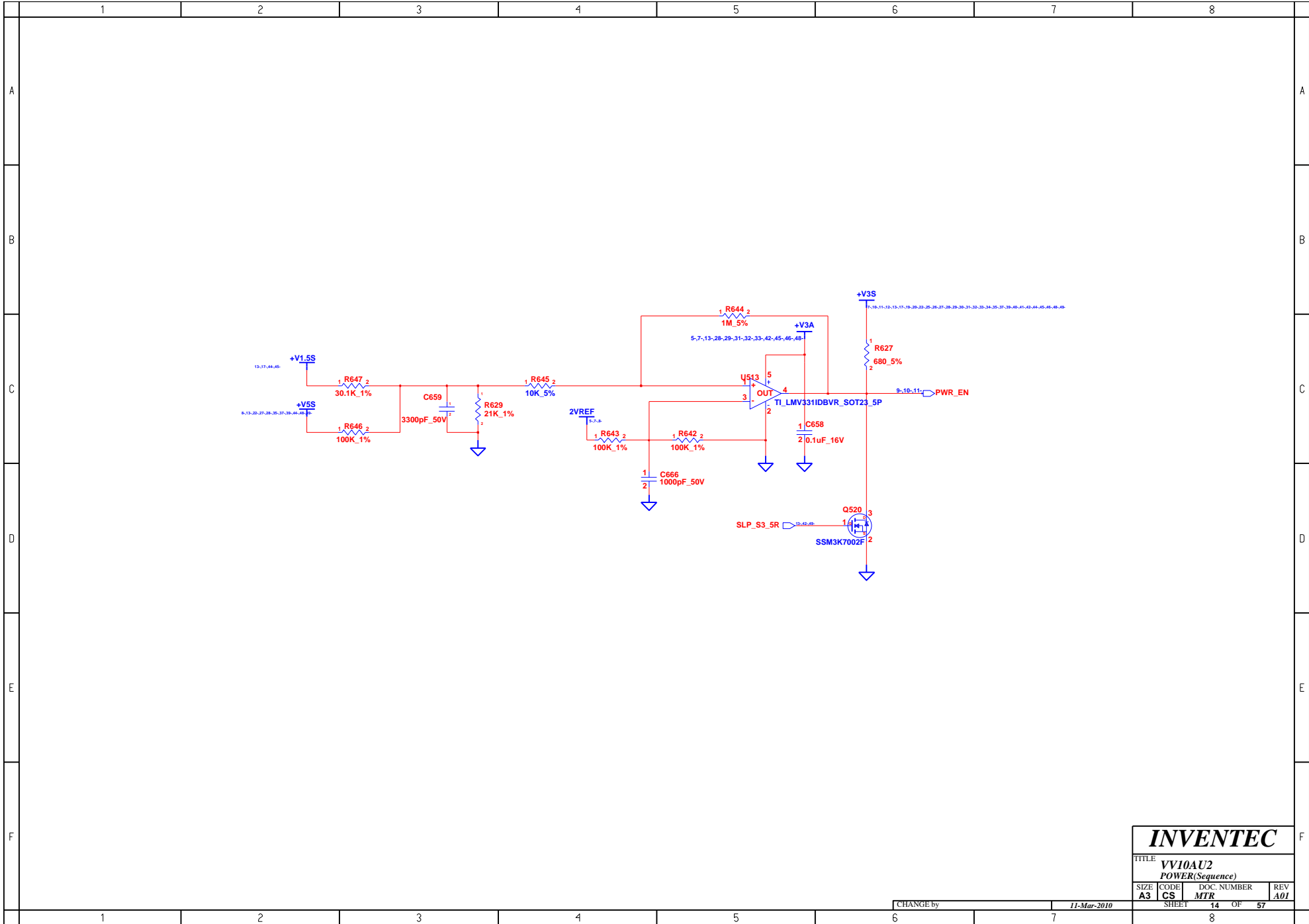
|            |      |             |       |
|------------|------|-------------|-------|
| TITLE      |      |             |       |
| VVI0AU2    |      |             |       |
| DDR2 POWER |      |             |       |
| SIZE       | CODE | DOC. NUMBER | REV   |
| A3         | CS   | MTR         | A01   |
| SHEET      |      | 12          | OF 57 |

CHANGE by 11-Mar-2010



# INVENTEC

|              |      |             |     |
|--------------|------|-------------|-----|
| TITLE        |      |             |     |
| VV10AU2      |      |             |     |
| POWER(Sleep) |      |             |     |
| SIZE         | CODE | DOC. NUMBER | REV |
| A3           | CS   | MTR         | A01 |
| CHANGE by    |      | 11-Mar-2010 |     |
| SHEET        |      | 13 OF 57    |     |

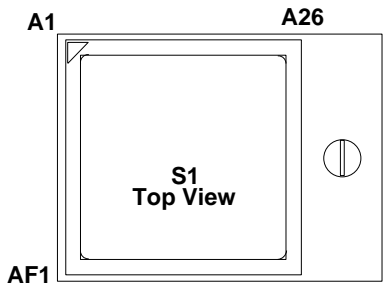
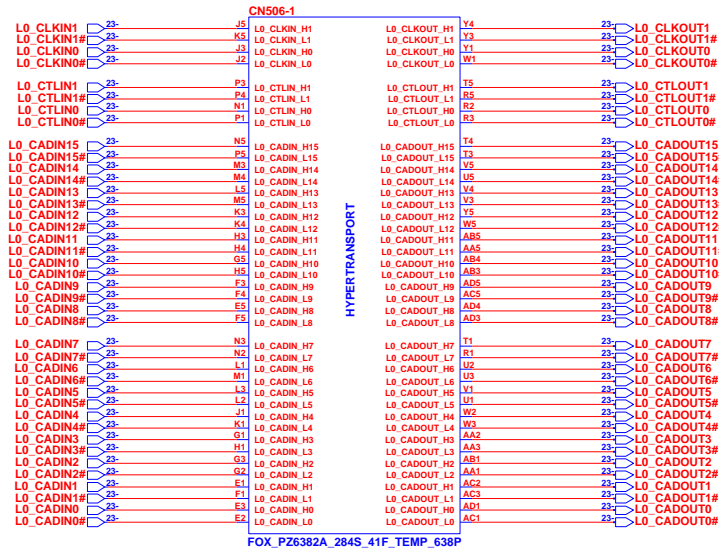


**INVENTEC**

TITLE  
**VV10AU2**  
**POWER(Sequence)**

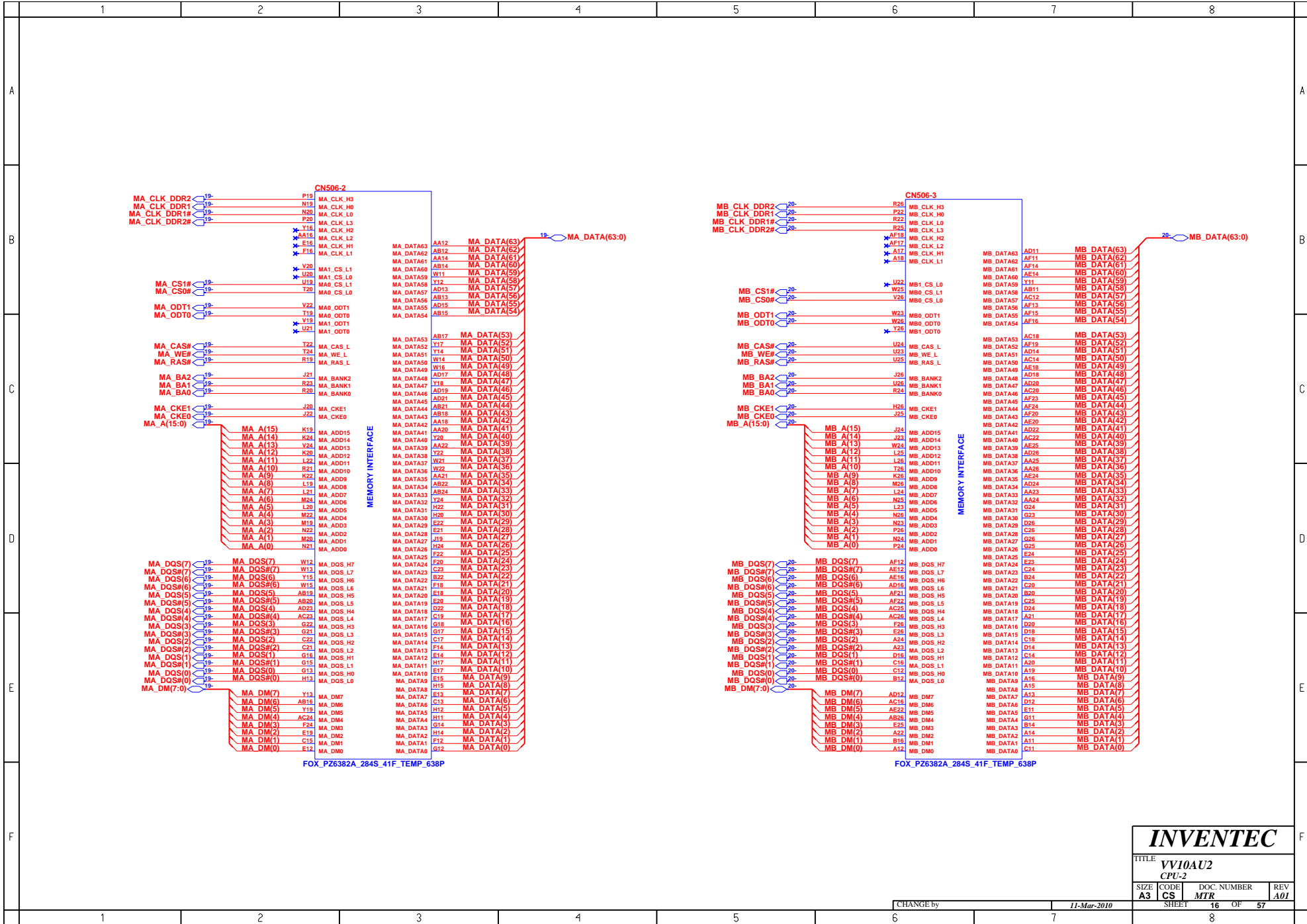
|                   |                   |                           |                   |
|-------------------|-------------------|---------------------------|-------------------|
| SIZE<br><b>A3</b> | CODE<br><b>CS</b> | DOC. NUMBER<br><b>MTR</b> | REV<br><b>A01</b> |
|-------------------|-------------------|---------------------------|-------------------|

|   |   |   |   |   |   |   |   |   |  |
|---|---|---|---|---|---|---|---|---|--|
|   | 1 | 2 | 3 | 4 | 5 | 6 | 7 | 8 |  |
| A |   |   |   |   |   |   |   |   |  |
| B |   |   |   |   |   |   |   |   |  |
| C |   |   |   |   |   |   |   |   |  |
| D |   |   |   |   |   |   |   |   |  |
| E |   |   |   |   |   |   |   |   |  |
| F |   |   |   |   |   |   |   |   |  |



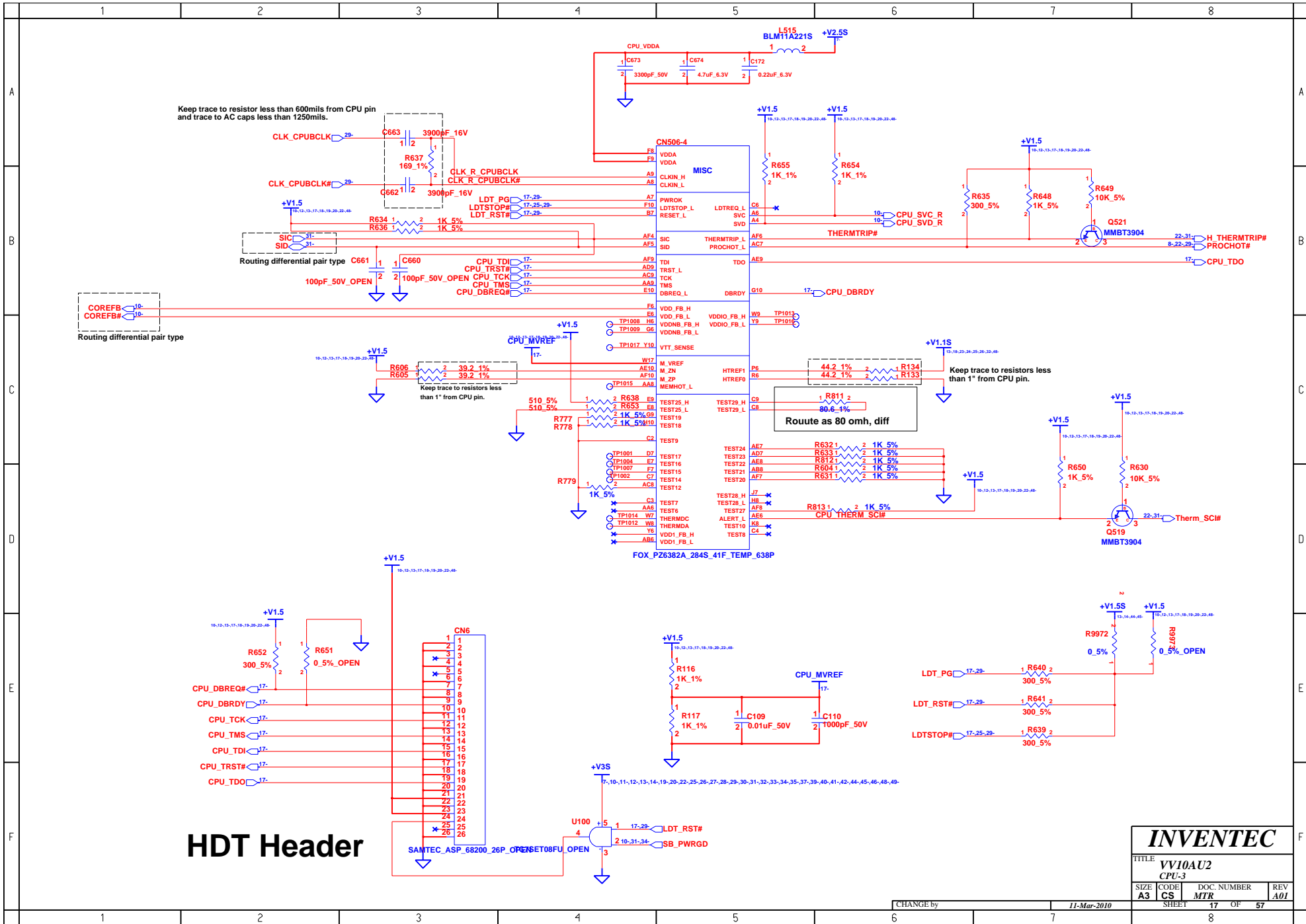
**Layout: Add stitching caps if crossing plane split.**

|                                   |                   |                           |                   |
|-----------------------------------|-------------------|---------------------------|-------------------|
| <b>INVENTEC</b>                   |                   |                           |                   |
| TITLE<br><b>VV10AU2<br/>CPU-1</b> |                   |                           |                   |
| SIZE<br><b>A3</b>                 | CODE<br><b>CS</b> | DOC. NUMBER<br><b>MTR</b> | REV<br><b>A01</b> |
| CHANGE by                         |                   | 11-Mar-2010               |                   |
| SHEET                             |                   | 15 OF 57                  |                   |



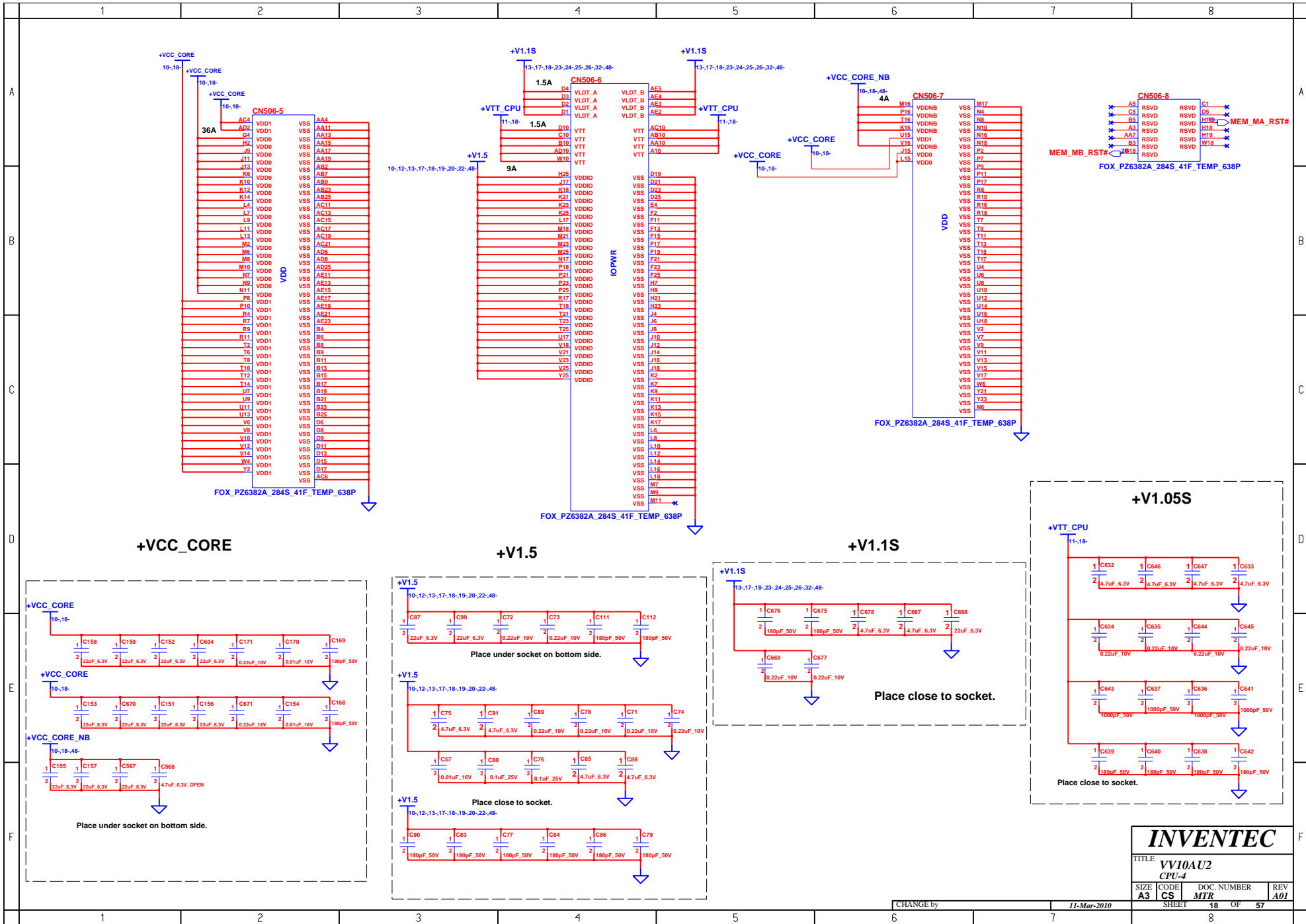
|                            |           |             |            |
|----------------------------|-----------|-------------|------------|
| <b>INVENTEC</b>            |           |             |            |
| TITLE <b>VV10AU2 CPU-2</b> |           |             |            |
| SIZE                       | CODE      | DOC. NUMBER | REV        |
| <b>A3</b>                  | <b>CS</b> | <b>MTR</b>  | <b>A01</b> |
| CHANGE by                  |           | 11-Mar-2010 |            |
|                            |           | SHEET       | 16 OF 57   |
|                            |           | 8           |            |



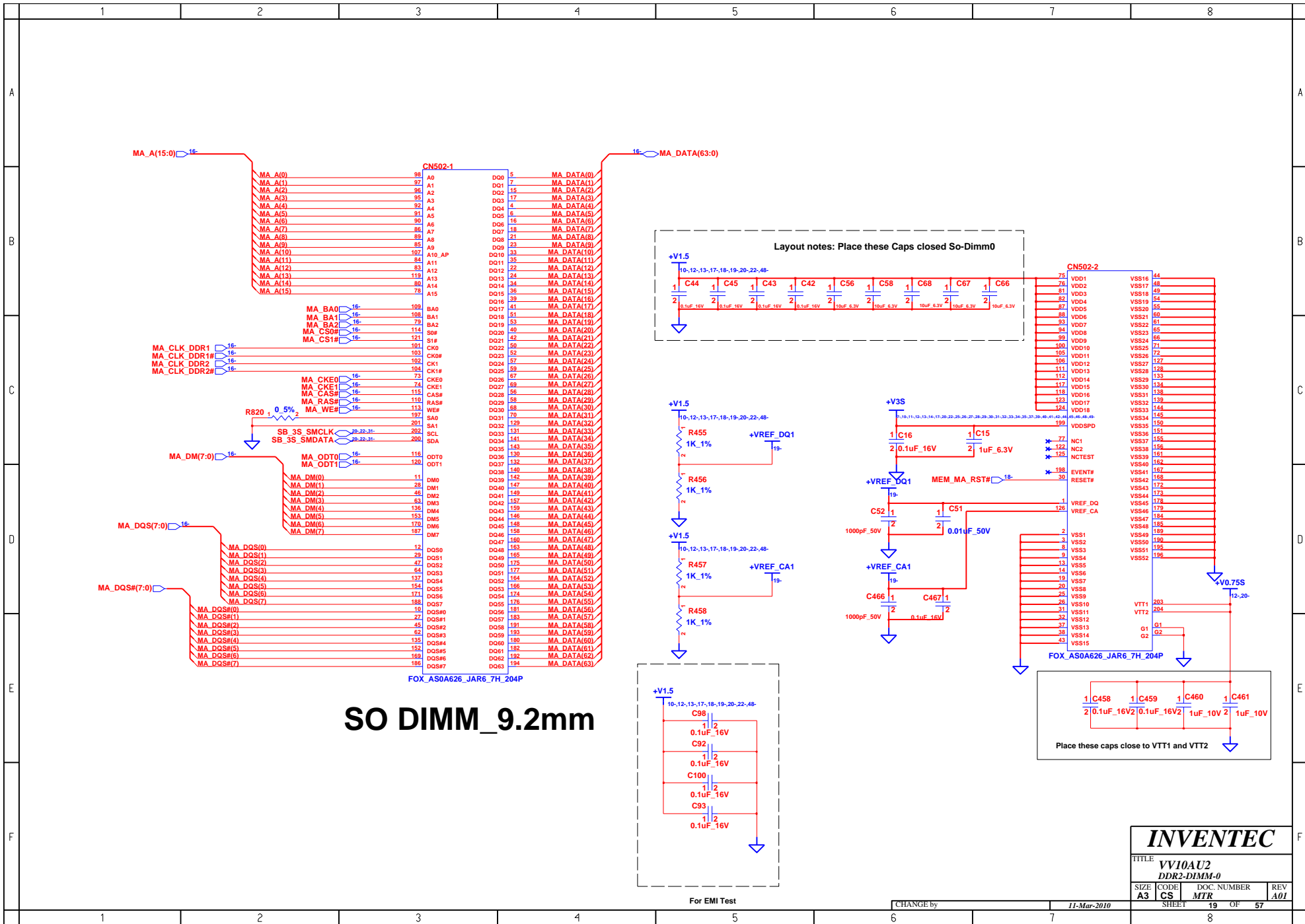


# HDT Header

| INVENTEC            |         |                 |         |
|---------------------|---------|-----------------|---------|
| TITLE VV10AU2 CPU-3 |         |                 |         |
| SIZE A3             | CODE CS | DOC. NUMBER MTR | REV A01 |
| CHANGE by           |         | 11-Mar-2010     |         |
| SHEET 17            |         | OF 57           |         |

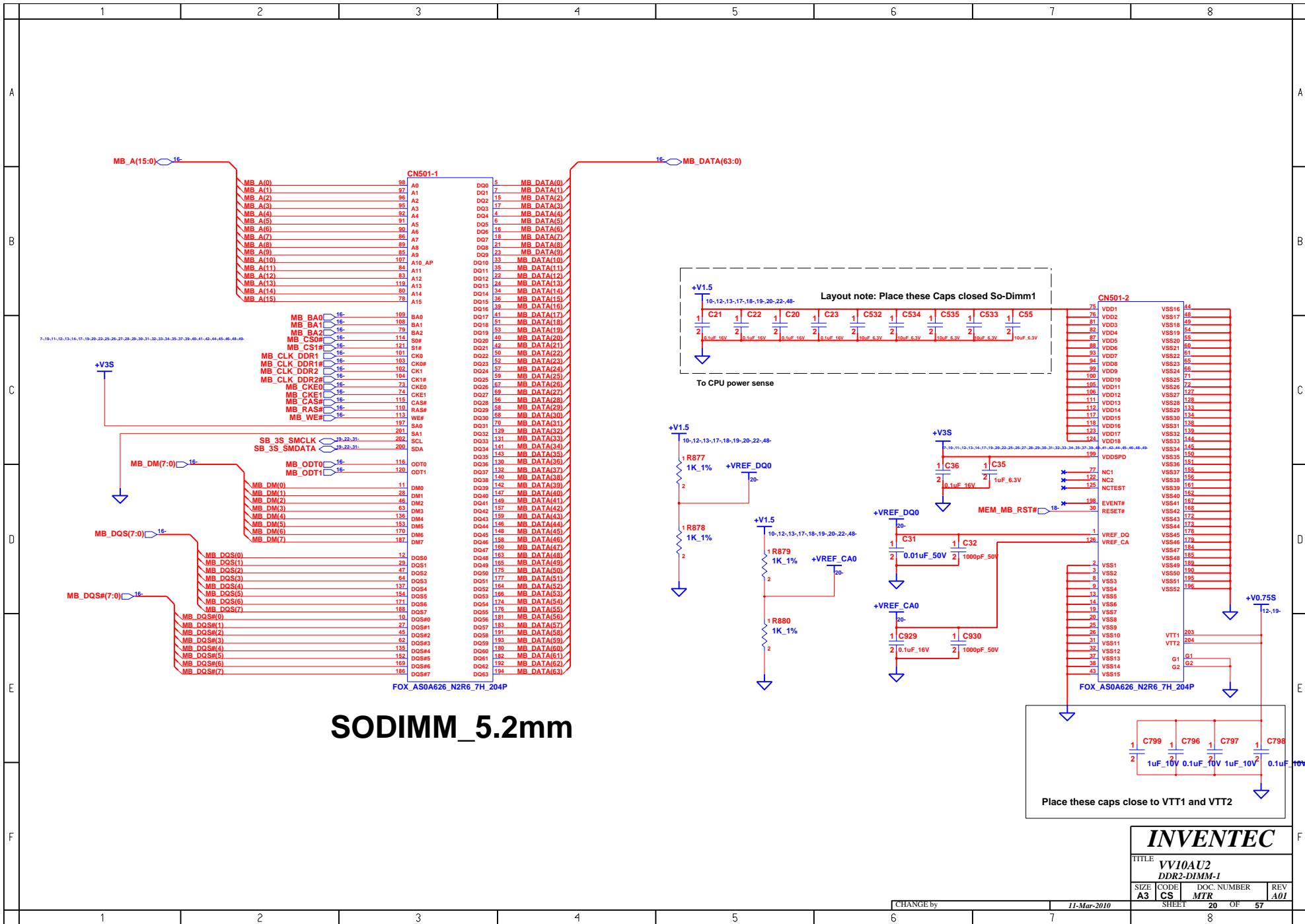


|                         |                   |                           |                   |
|-------------------------|-------------------|---------------------------|-------------------|
| <b>INVENTEC</b>         |                   |                           |                   |
| TITLE<br><b>VV10AU2</b> |                   |                           |                   |
| CPU-4                   |                   |                           |                   |
| SIZE<br><b>A3</b>       | CODE<br><b>CS</b> | DOC. NUMBER<br><b>MTR</b> | REV<br><b>A01</b> |
| CHANGE by               |                   | 11-Mar-2010               |                   |
| SHEET                   |                   | 18 OF 57                  |                   |



|                      |                |                        |                |  |
|----------------------|----------------|------------------------|----------------|--|
| <b>INVENTEC</b>      |                |                        |                |  |
| TITLE <b>VV10AU2</b> |                |                        |                |  |
| DDR2-DIMM-0          |                |                        |                |  |
| SIZE <b>A3</b>       | CODE <b>CS</b> | DOC. NUMBER <b>MTR</b> | REV <b>A01</b> |  |
| SHEET <b>19</b>      |                | OF <b>57</b>           |                |  |

CHANGE by **11-Mar-2010**



|   |   |   |   |   |   |   |   |   |   |
|---|---|---|---|---|---|---|---|---|---|
|   | 1 | 2 | 3 | 4 | 5 | 6 | 7 | 8 |   |
| A |   |   |   |   |   |   |   |   | A |
| B |   |   |   |   |   |   |   |   | B |
| C |   |   |   |   |   |   |   |   | C |
| D |   |   |   |   |   |   |   |   | D |
| E |   |   |   |   |   |   |   |   | E |
| F |   |   |   |   |   |   |   |   | F |
|   | 1 | 2 | 3 | 4 | 5 | 6 | 7 | 8 |   |

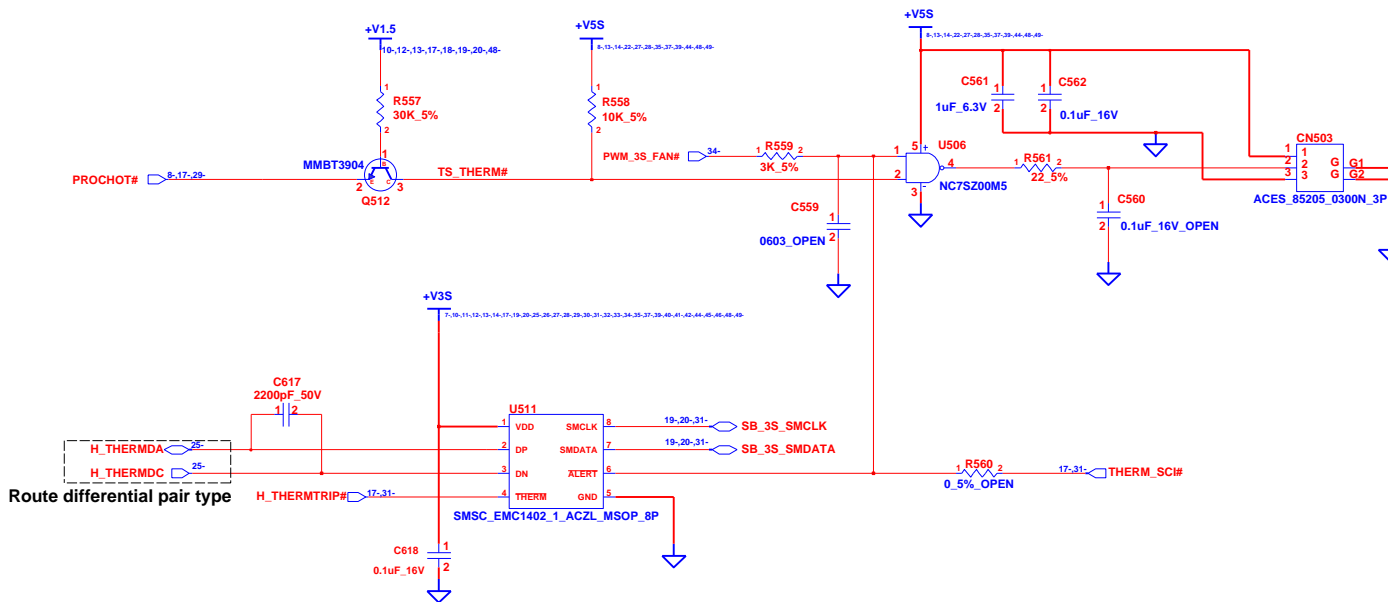
**INVENTEC**

TITLE **VV10AU2**  
**DDR2-DAMPING**

|           |           |             |            |
|-----------|-----------|-------------|------------|
| SIZE      | CODE      | DOC. NUMBER | REV        |
| <b>A3</b> | <b>CS</b> | <b>MTR</b>  | <b>A01</b> |

CHANGE by **11-Mar-2010**

SHEET **21** OF **57**



LAYOUT Note: Put the thermal sensor close to CPU.

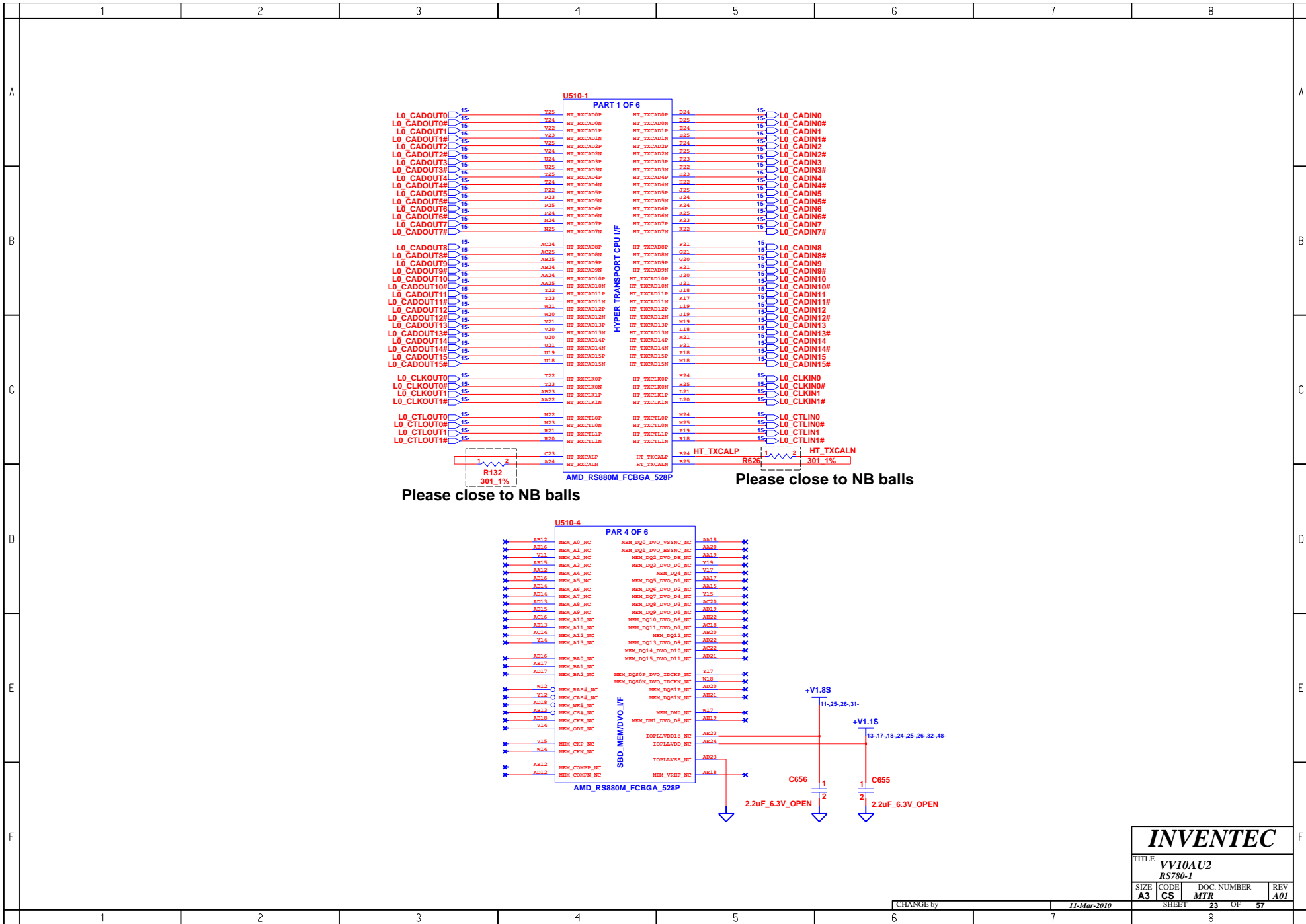
**INVENTEC**

TITLE  
**VV10AU2**  
 THERMAL & FAN CONTROLLER

|                   |                   |                           |                   |
|-------------------|-------------------|---------------------------|-------------------|
| SIZE<br><b>A3</b> | CODE<br><b>CS</b> | DOC. NUMBER<br><b>MTR</b> | REV<br><b>A01</b> |
|-------------------|-------------------|---------------------------|-------------------|

CHANGE by 11-Mar-2010

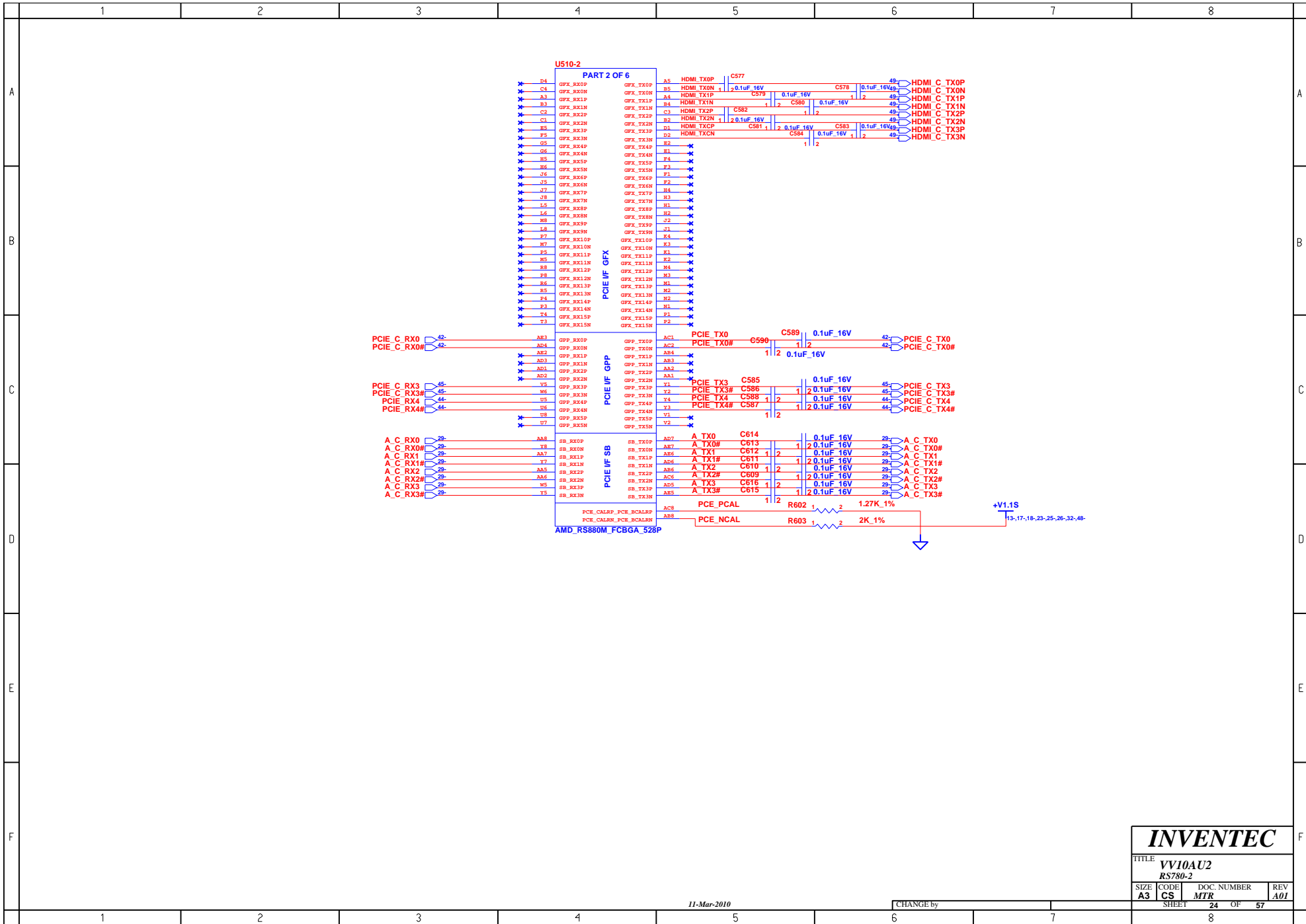
SHEET 22 OF 57



Please close to NB balls

Please close to NB balls

|   |                   |                           |                   |
|---|-------------------|---------------------------|-------------------|
| <b>INVENTEC</b>                           |                   |                           |                   |
| TITLE<br><b>VV10AU2</b><br><b>RS780-1</b> |                   |                           |                   |
| SIZE<br><b>A3</b>                         | CODE<br><b>CS</b> | DOC. NUMBER<br><b>MTR</b> | REV<br><b>A01</b> |
| CHANGE by                                 |                   | 11-Mar-2010               |                   |
| SHEET                                     |                   | 23 OF 57                  |                   |

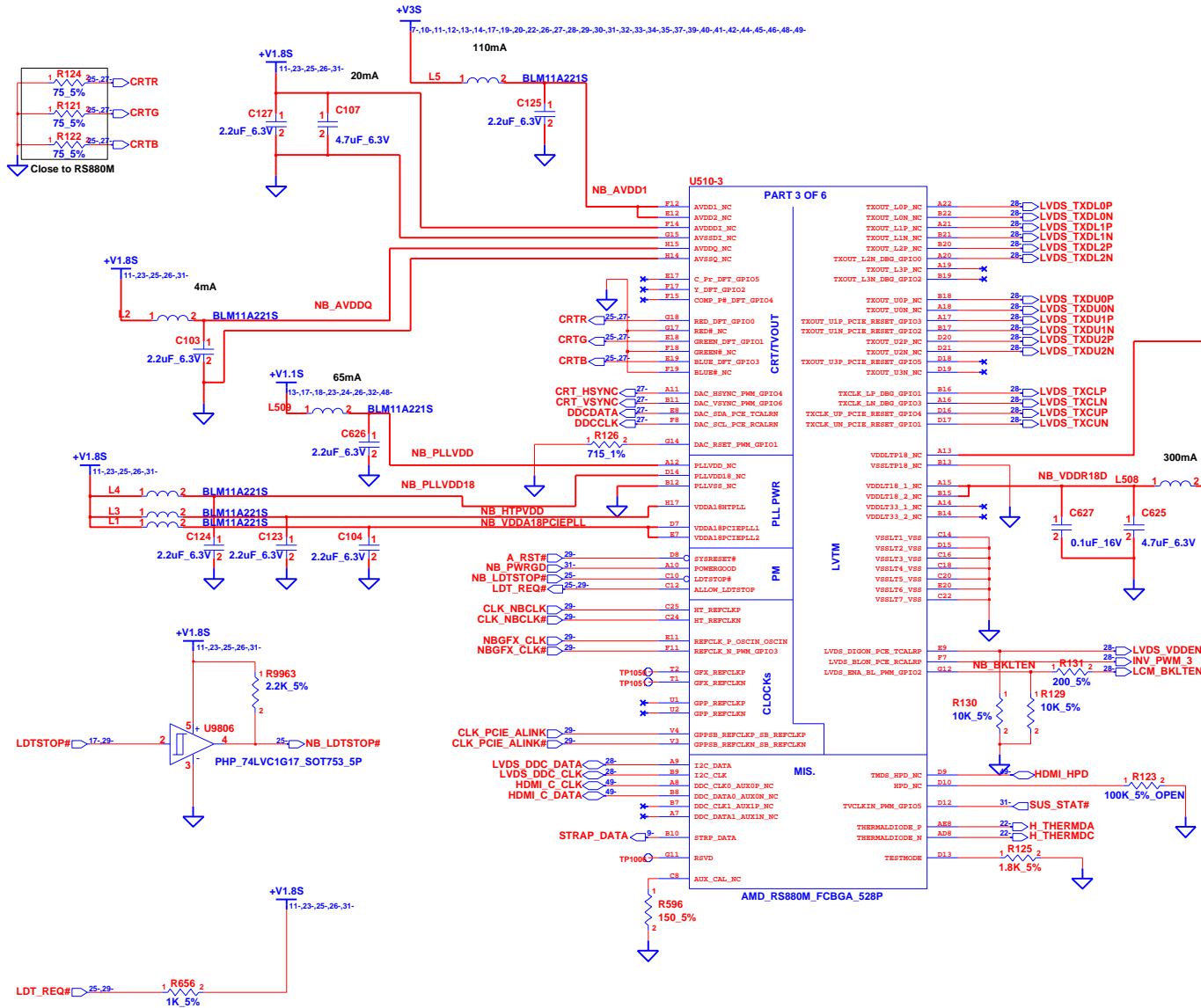


|                             |            |                    |            |
|-----------------------------|------------|--------------------|------------|
| <b>INVENTEC</b>             |            |                    |            |
| TITLE<br>VV10AU2<br>RS780-2 |            |                    |            |
| SIZE<br>A3                  | CODE<br>CS | DOC. NUMBER<br>MTR | REV<br>A01 |
| SHEET                       |            | 24 OF              | 57         |

11-Mar-2010

CHANGE by



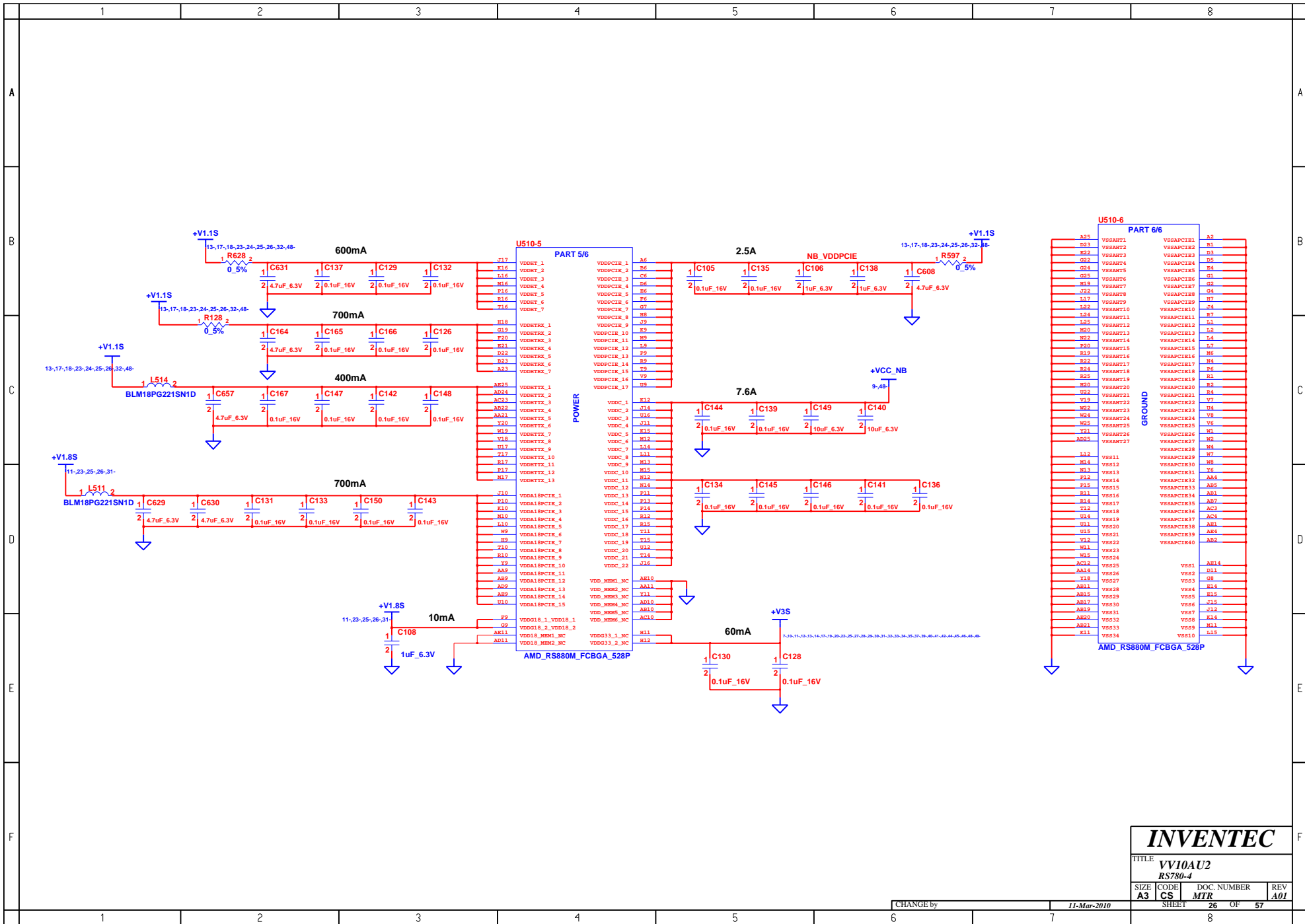


# INVENTEC

TITLE  
**VV10AU2**  
**RS780-3**

| SIZE | CODE | DOC. NUMBER | REV |
|------|------|-------------|-----|
| A3   | CS   | MTR         | A01 |

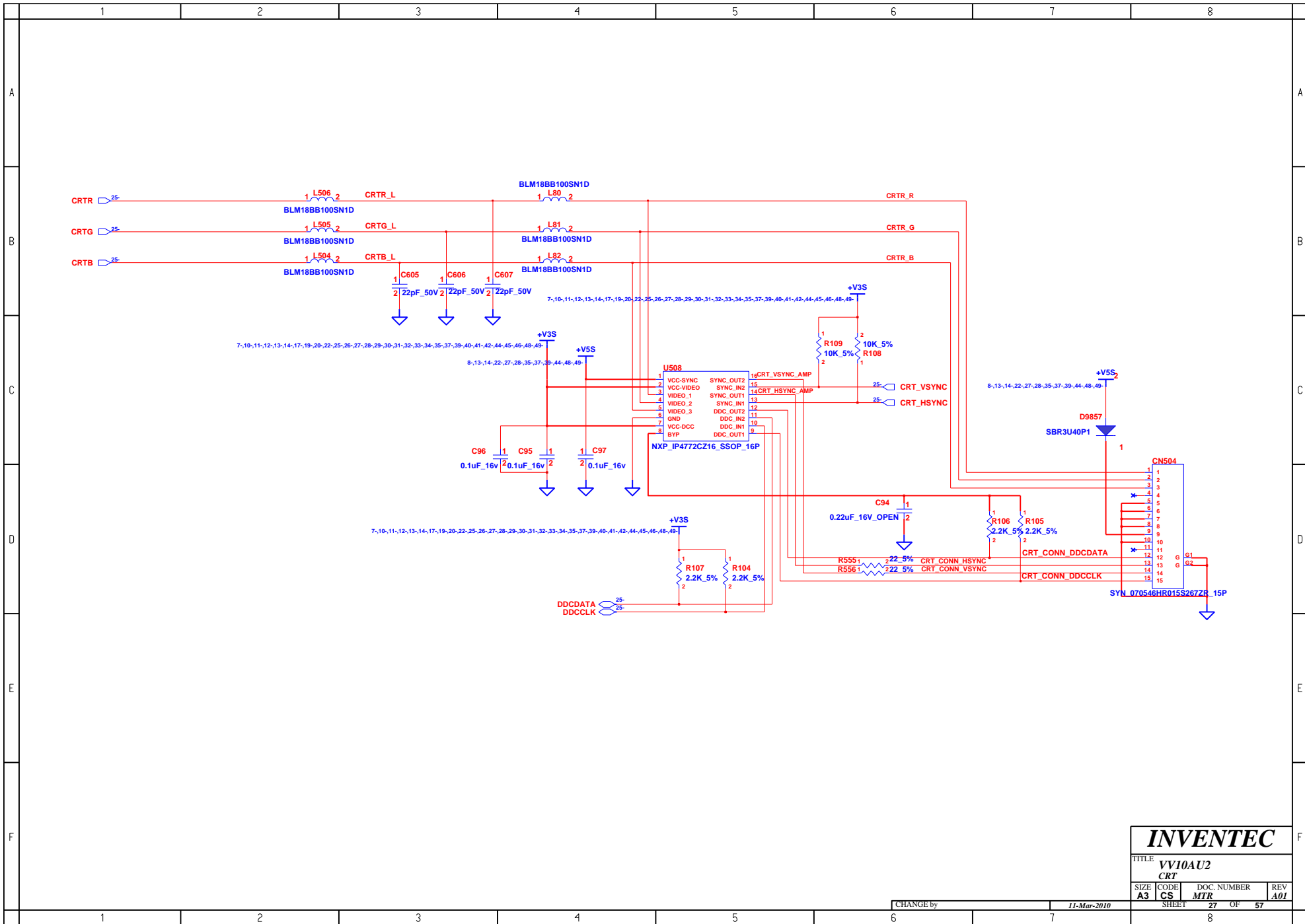
CHANGE by  
 11-Mar-2010  
 SHEET 25 OF 57



# INVENTEC

TITLE  
VV10AU2  
RS780-4

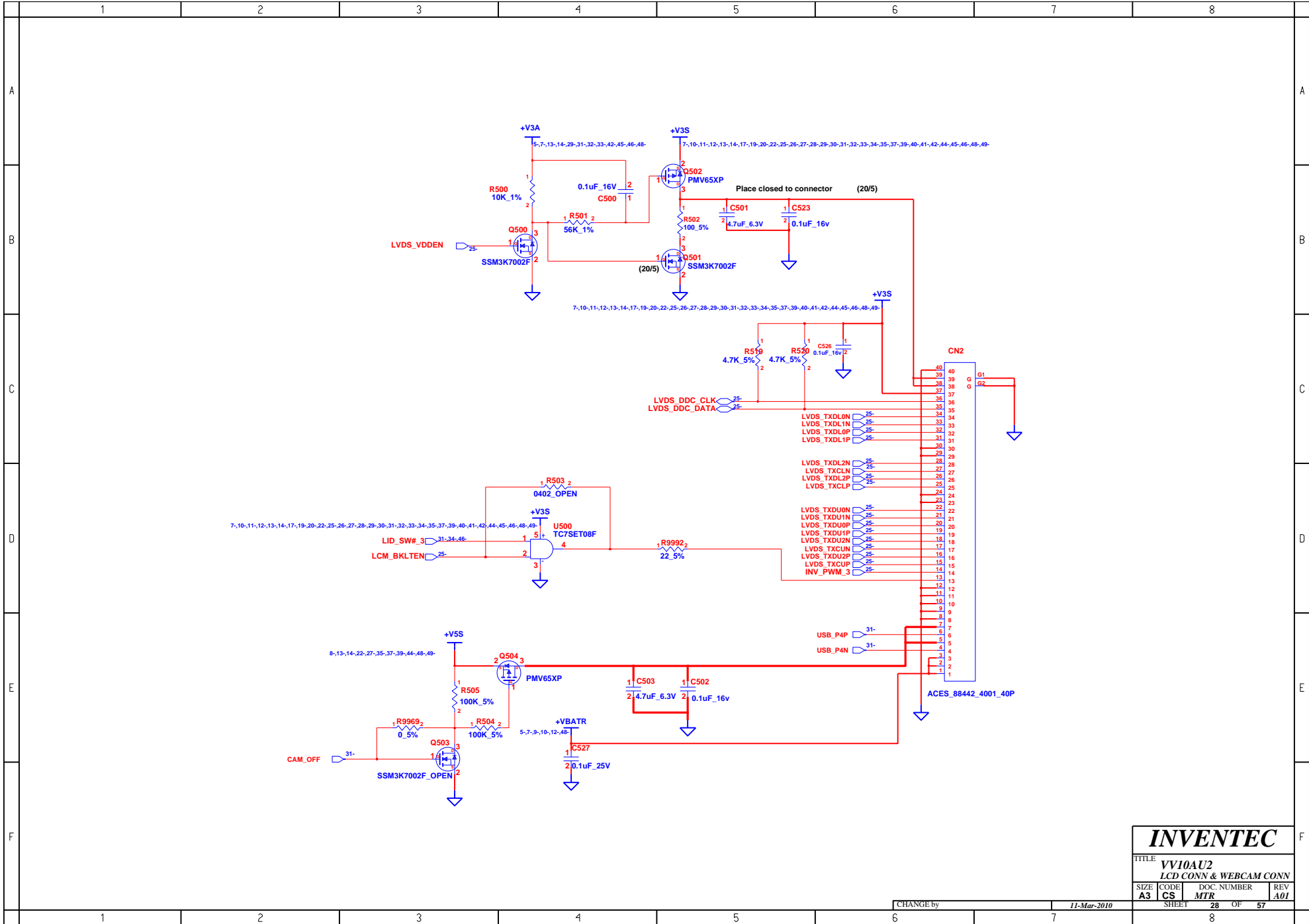
| SIZE | CODE | DOC. NUMBER | REV |
|------|------|-------------|-----|
| A3   | CS   | MTR         | A01 |



**INVENTEC**

|         |      |             |     |
|---------|------|-------------|-----|
| TITLE   |      |             |     |
| VV10AU2 |      |             |     |
| CRT     |      |             |     |
| SIZE    | CODE | DOC. NUMBER | REV |
| A3      | CS   | MTR         | A01 |
| SHEET   |      | OF          |     |
| 27      |      | 57          |     |

CHANGE by 11-Mar-2010



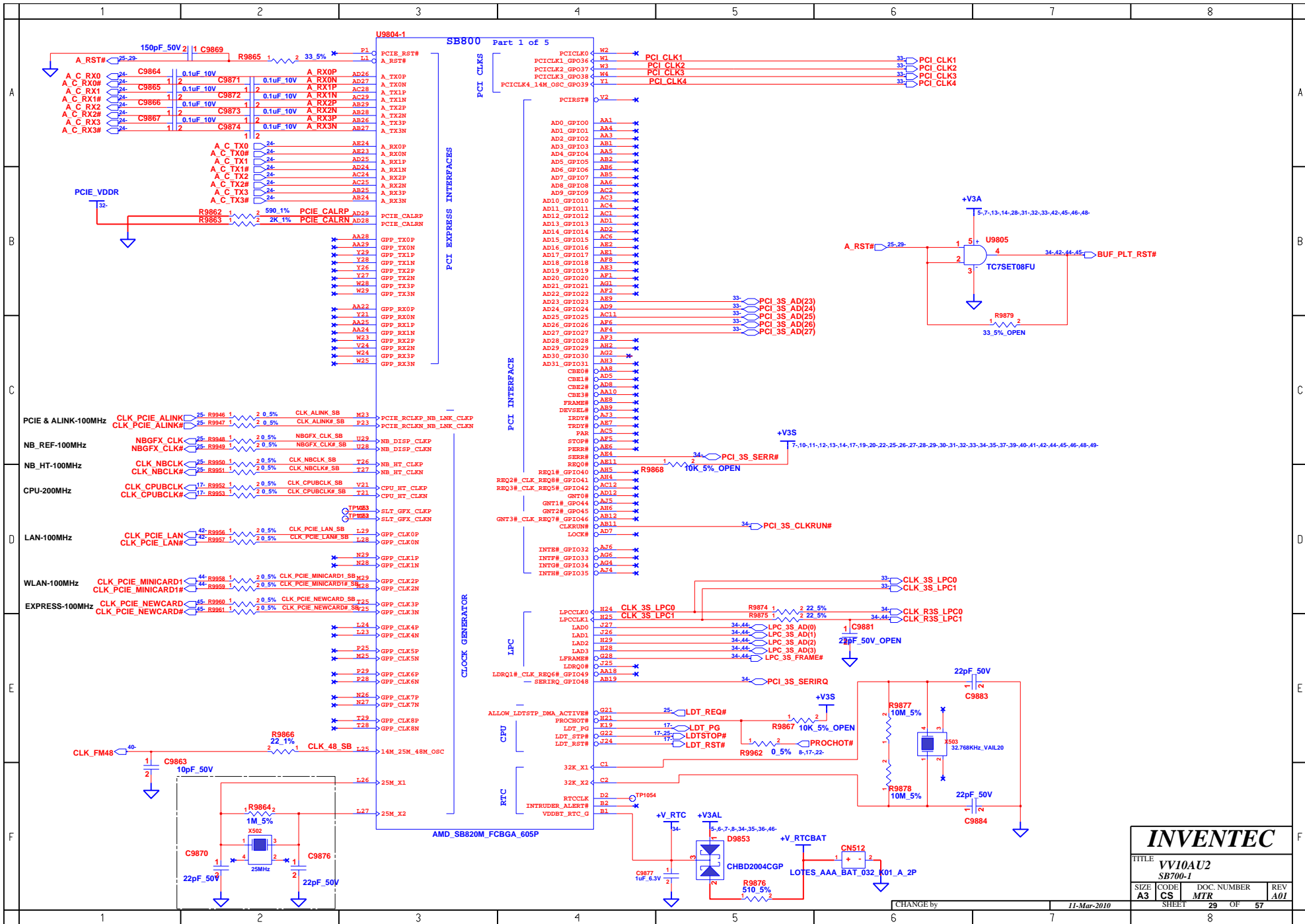
**INVENTEC**

TITLE  
**VV10AU2**  
**LCD CONN & WEBCAM CONN**

| SIZE | CODE | DOC. NUMBER | REV |
|------|------|-------------|-----|
| A3   | CS   | MTR         | A01 |

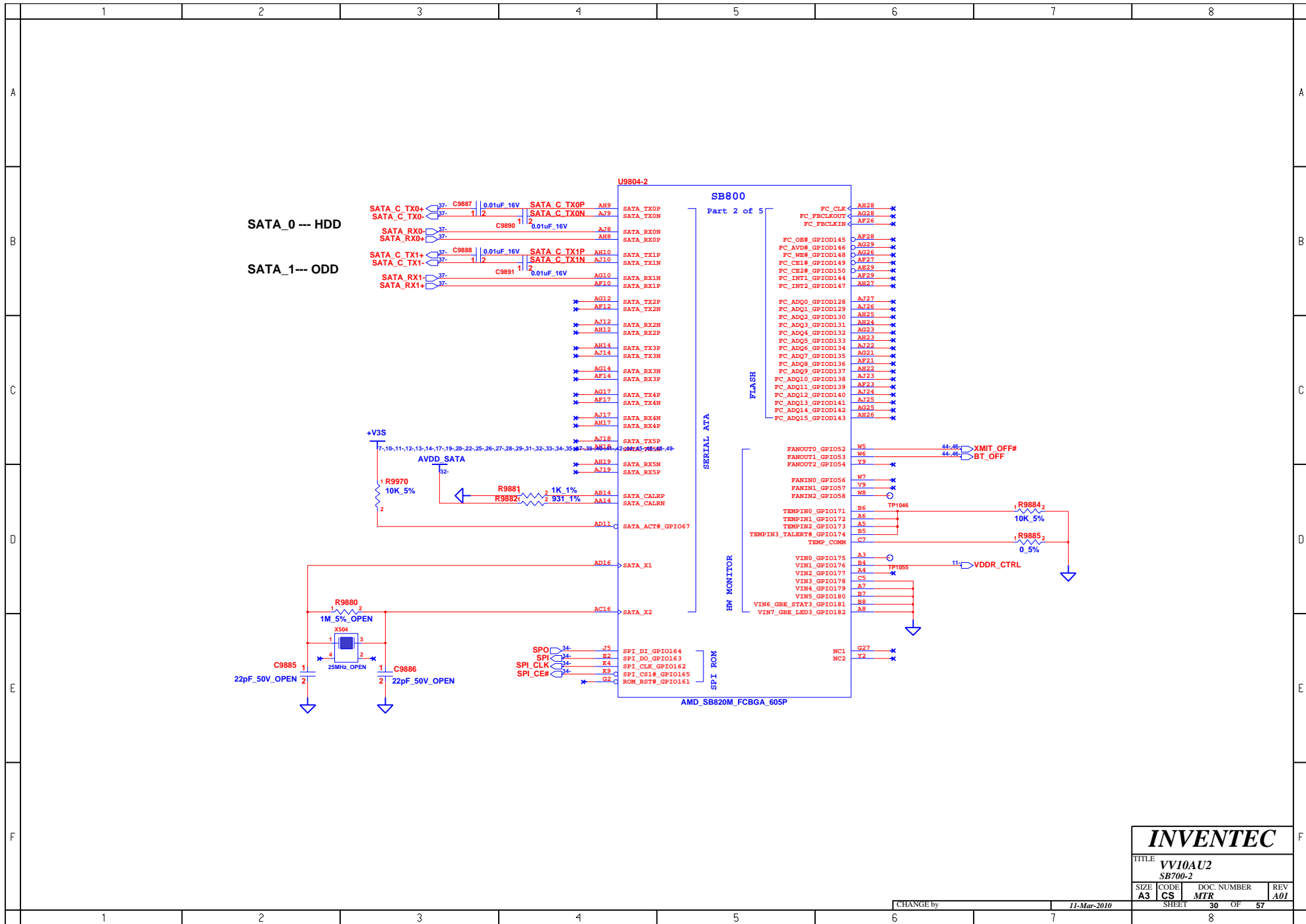
CHANGE by 11-Mar-2010

SHEET 28 OF 57



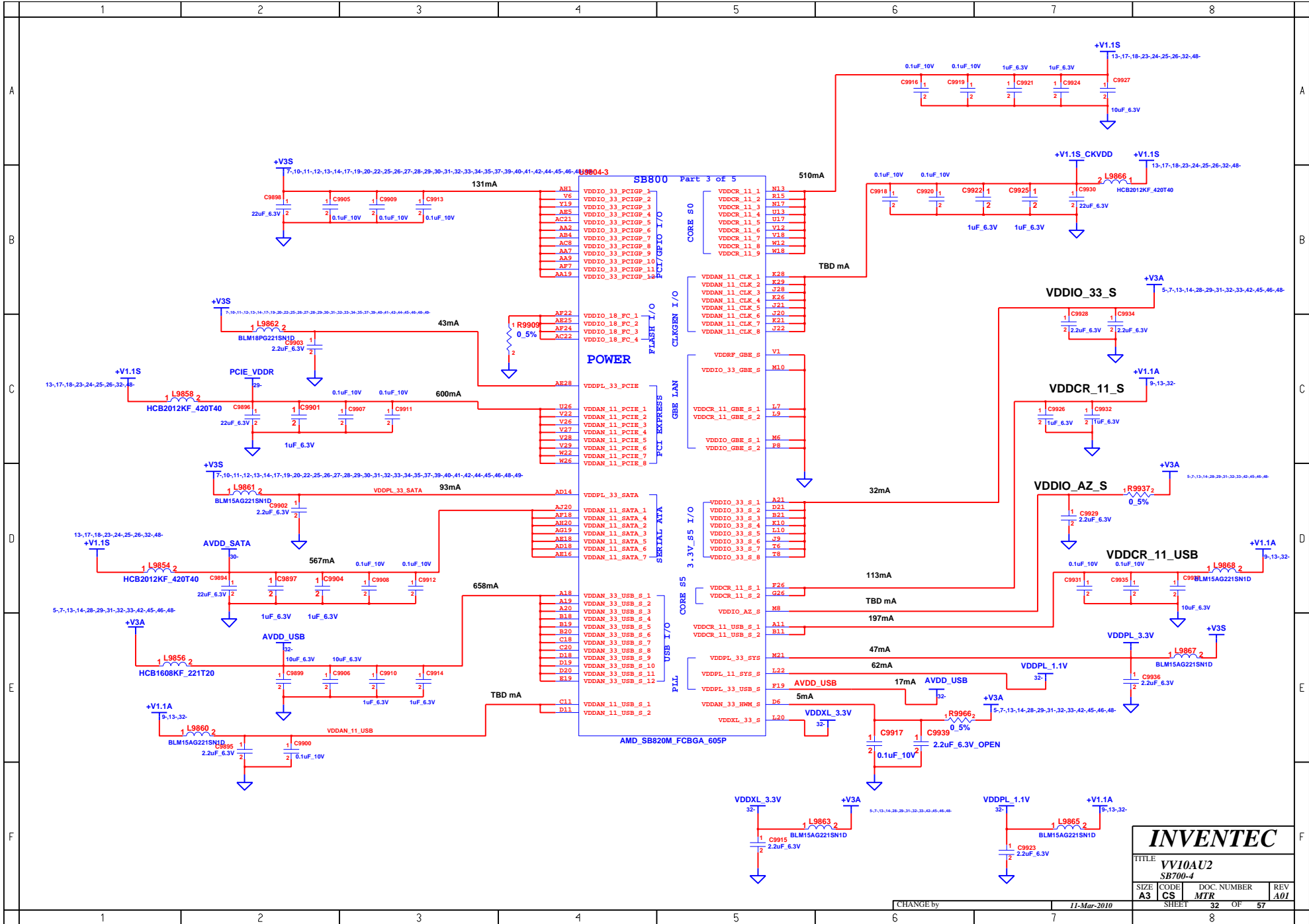
|                          |         |             |         |
|--------------------------|---------|-------------|---------|
| <b>INVENTEC</b>          |         |             |         |
| TITLE VV10AU2<br>SB700-1 |         |             |         |
| SIZE A3                  | CODE CS | DOC. NUMBER | REV A01 |
| SHEET 29                 |         | OF 57       |         |

CHANGE by 11-Mar-2010



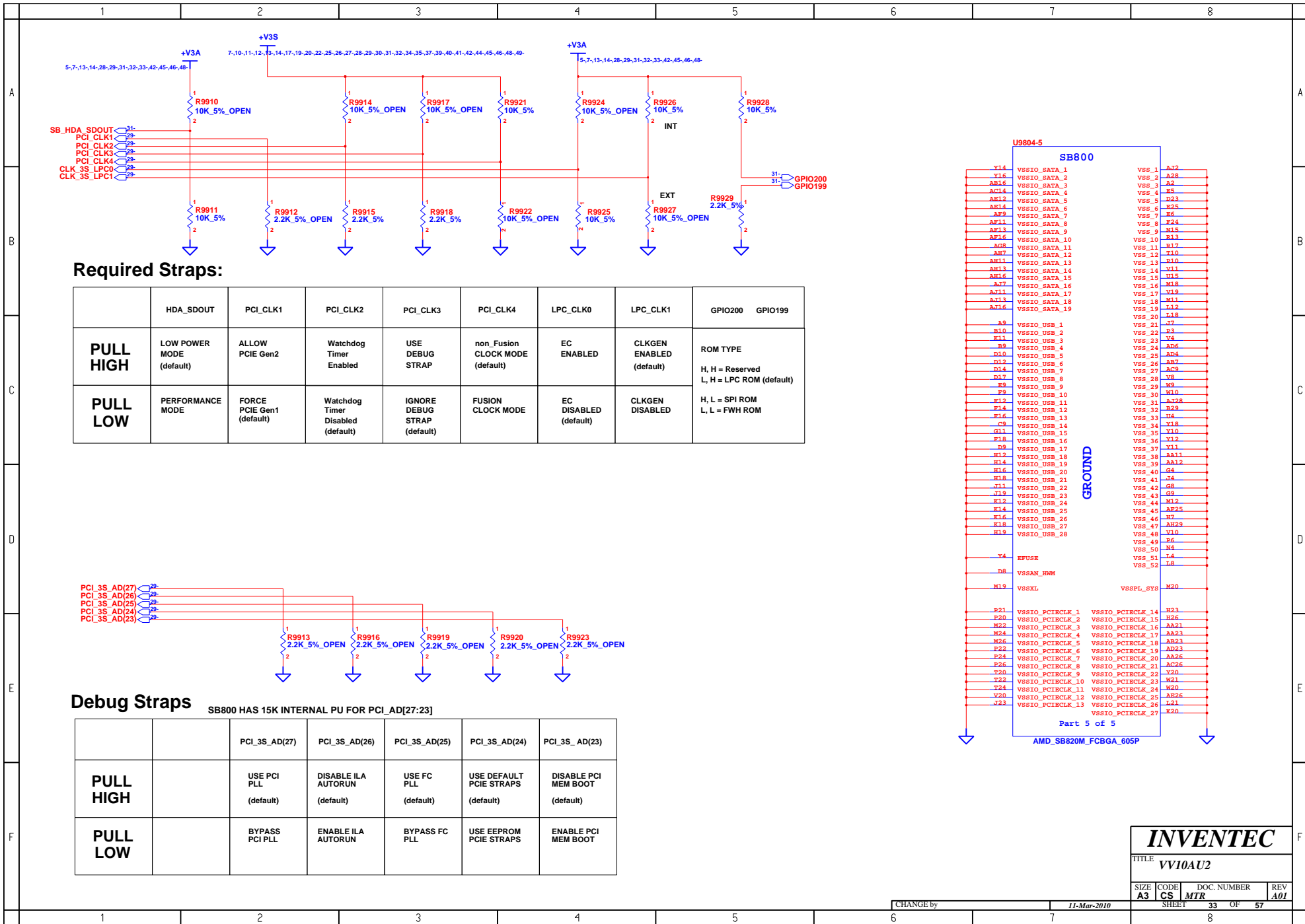
|                             |            |                    |                |
|-----------------------------|------------|--------------------|----------------|
| <b>INVENTEC</b>             |            |                    |                |
| TITLE<br>VV10AU2<br>SB700-2 |            |                    |                |
| SIZE<br>A3                  | CODE<br>CS | DOC. NUMBER<br>MTR | REV<br>A01     |
| CHANGE by                   |            | 11-Mar-2010        | SHEET 30 OF 57 |





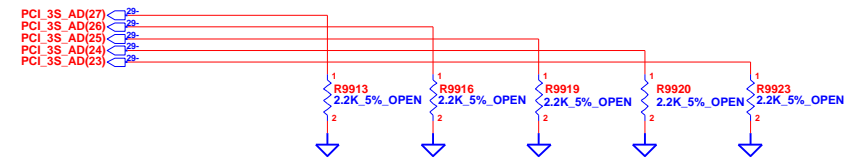
|                                  |                |                        |                |
|----------------------------------|----------------|------------------------|----------------|
| <b>INVENTEC</b>                  |                |                        |                |
| TITLE <b>VV10AU2<br/>SB700-4</b> |                |                        |                |
| SIZE <b>A3</b>                   | CODE <b>CS</b> | DOC. NUMBER <b>MTR</b> | REV <b>A01</b> |
| CHANGE by                        |                | 11-Mar-2010            |                |
| SHEET <b>32</b>                  |                | OF <b>57</b>           |                |





**Required Straps:**

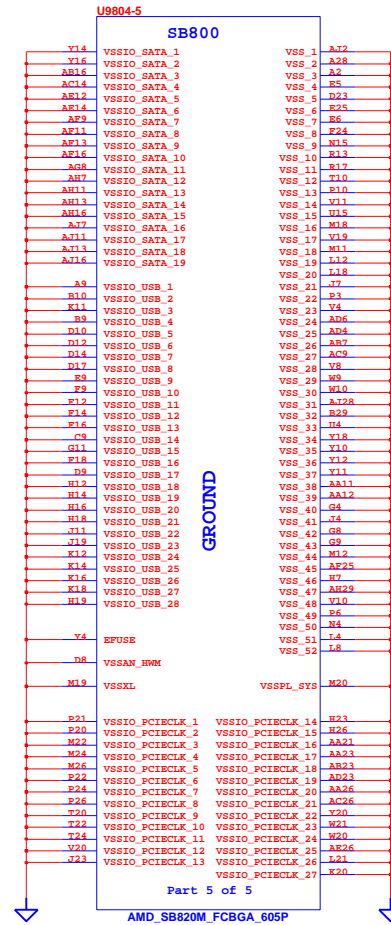
|                  | HDA_SDOOUT               | PCI_CLK1                  | PCI_CLK2                          | PCI_CLK3                     | PCI_CLK4                        | LPC_CLK0              | LPC_CLK1                 | GPIO200                          | GPIO199                                     |
|------------------|--------------------------|---------------------------|-----------------------------------|------------------------------|---------------------------------|-----------------------|--------------------------|----------------------------------|---|
| <b>PULL HIGH</b> | LOW POWER MODE (default) | ALLOW PCIE Gen2           | Watchdog Timer Enabled            | USE DEBUG STRAP              | non_Fusion CLOCK MODE (default) | EC ENABLED            | CLKGEN ENABLED (default) | ROM TYPE                         | H, H = Reserved<br>L, H = LPC ROM (default) |
| <b>PULL LOW</b>  | PERFORMANCE MODE         | FORCE PCIE Gen1 (default) | Watchdog Timer Disabled (default) | IGNORE DEBUG STRAP (default) | FUSION CLOCK MODE               | EC DISABLED (default) | CLKGEN DISABLED          | H, L = SPI ROM<br>L, L = FWH ROM |   |



**Debug Straps**

SB800 HAS 15K INTERNAL PU FOR PCI\_AD[27:23]

|                  | PCI_3S_AD(27)         | PCI_3S_AD(26)                 | PCI_3S_AD(25)        | PCI_3S_AD(24)                     | PCI_3S_AD(23)                  |
|------------------|-----------------------|-------------------------------|----------------------|-----------------------------------|--------------------------------|
| <b>PULL HIGH</b> | USE PCI PLL (default) | DISABLE ILA AUTORUN (default) | USE FC PLL (default) | USE DEFAULT PCIE STRAPS (default) | DISABLE PCI MEM BOOT (default) |
| <b>PULL LOW</b>  | BYPASS PCI PLL        | ENABLE ILA AUTORUN            | BYPASS FC PLL        | USE EEPROM PCIE STRAPS            | ENABLE PCI MEM BOOT            |



**INVENTEC**

TITLE **VV10AU2**

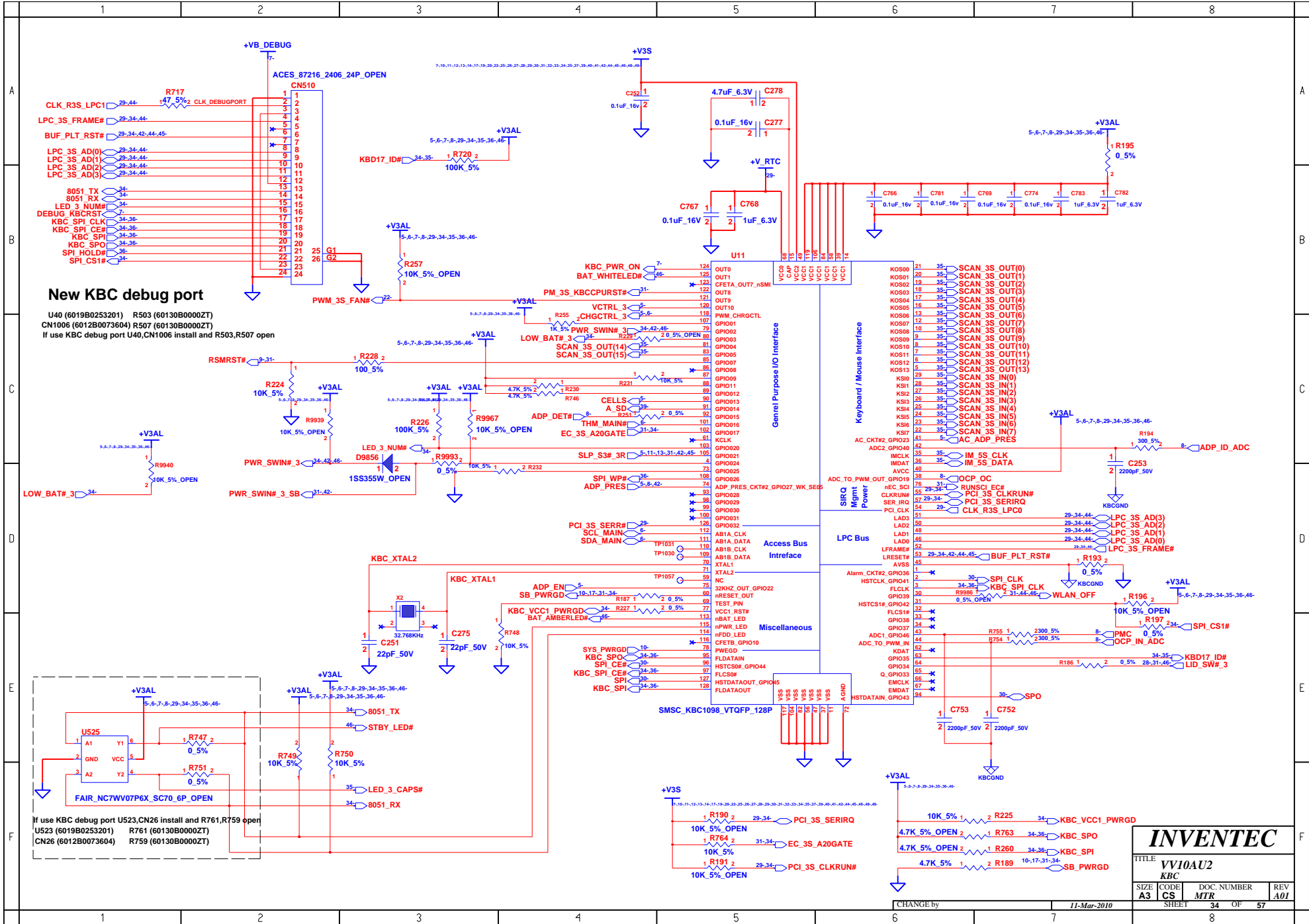
SIZE **A3** CODE **CS** MTR DOC. NUMBER REV **A01**

CHANGE by

11-Mar-2010

SHEET 33 OF 57

8



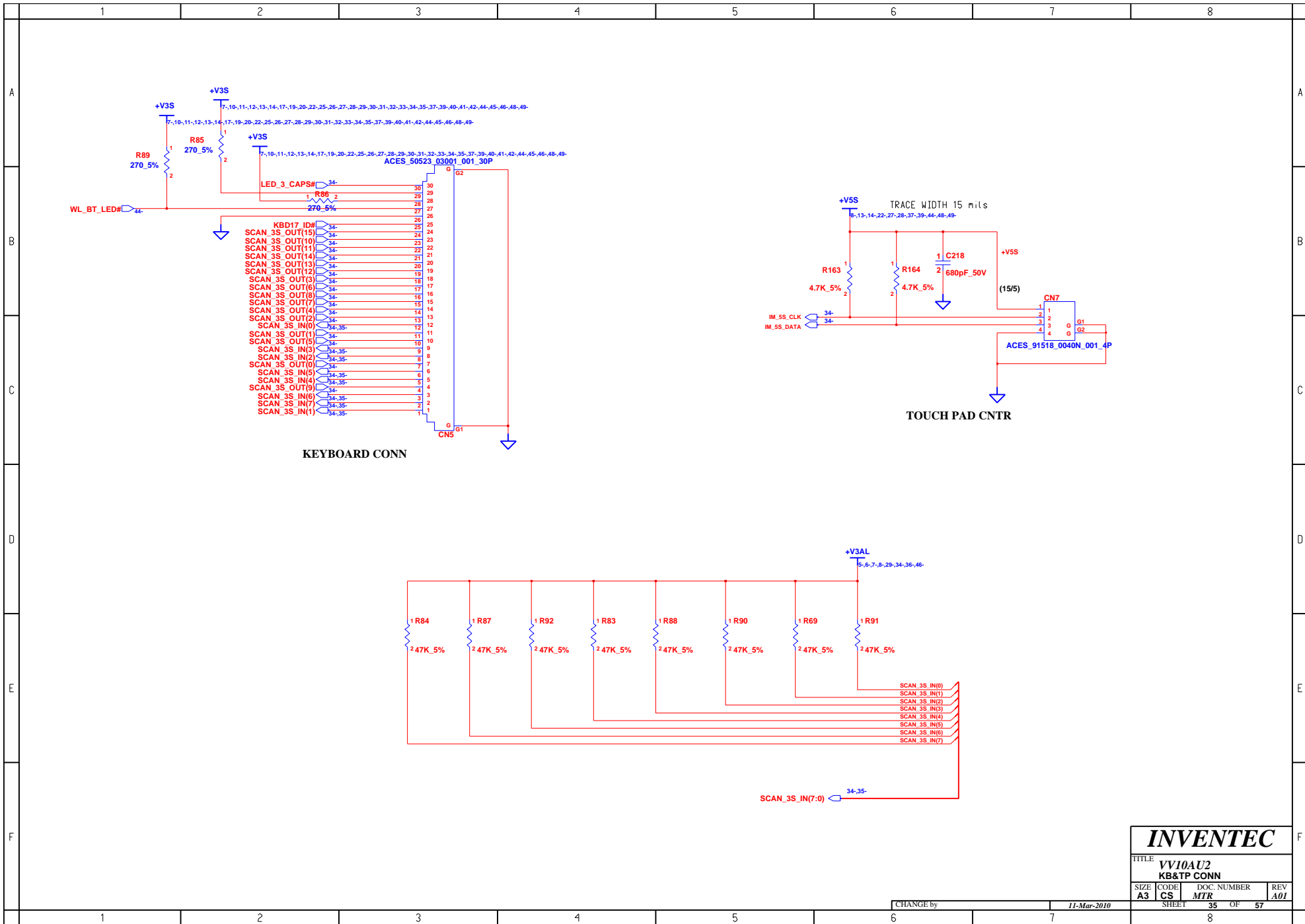
**New KBC debug port**

U40 (6019B0253201) R503 (60130B0000ZT)  
 CN1006 (6012B0073604) R507 (60130B0000ZT)  
 If use KBC debug port U40,CN1006 install and R503,R507 open

If use KBC debug port U523,CN26 install and R761,R759 open  
 U523 (6019B0253201) R761 (60130B0000ZT)  
 CN26 (6012B0073604) R759 (60130B0000ZT)

**INVENTEC**

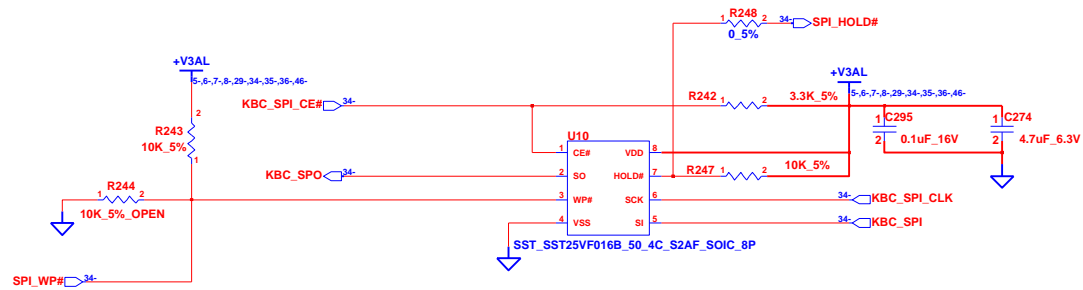
|               |         |                 |         |
|---------------|---------|-----------------|---------|
| TITLE VV10AU2 |         |                 |         |
| KBC           |         |                 |         |
| SIZE A3       | CODE CS | DOC. NUMBER MTR | REV A01 |
| SHEET 34      |         | OF 57           |         |



# INVENTEC

|            |      |             |     |
|------------|------|-------------|-----|
| TITLE      |      |             |     |
| VV10AU2    |      |             |     |
| KB&TP CONN |      |             |     |
| SIZE       | CODE | DOC. NUMBER | REV |
| A3         | CS   | MTR         | A01 |

CHANGE by 11-Mar-2010 SHEET 35 OF 57

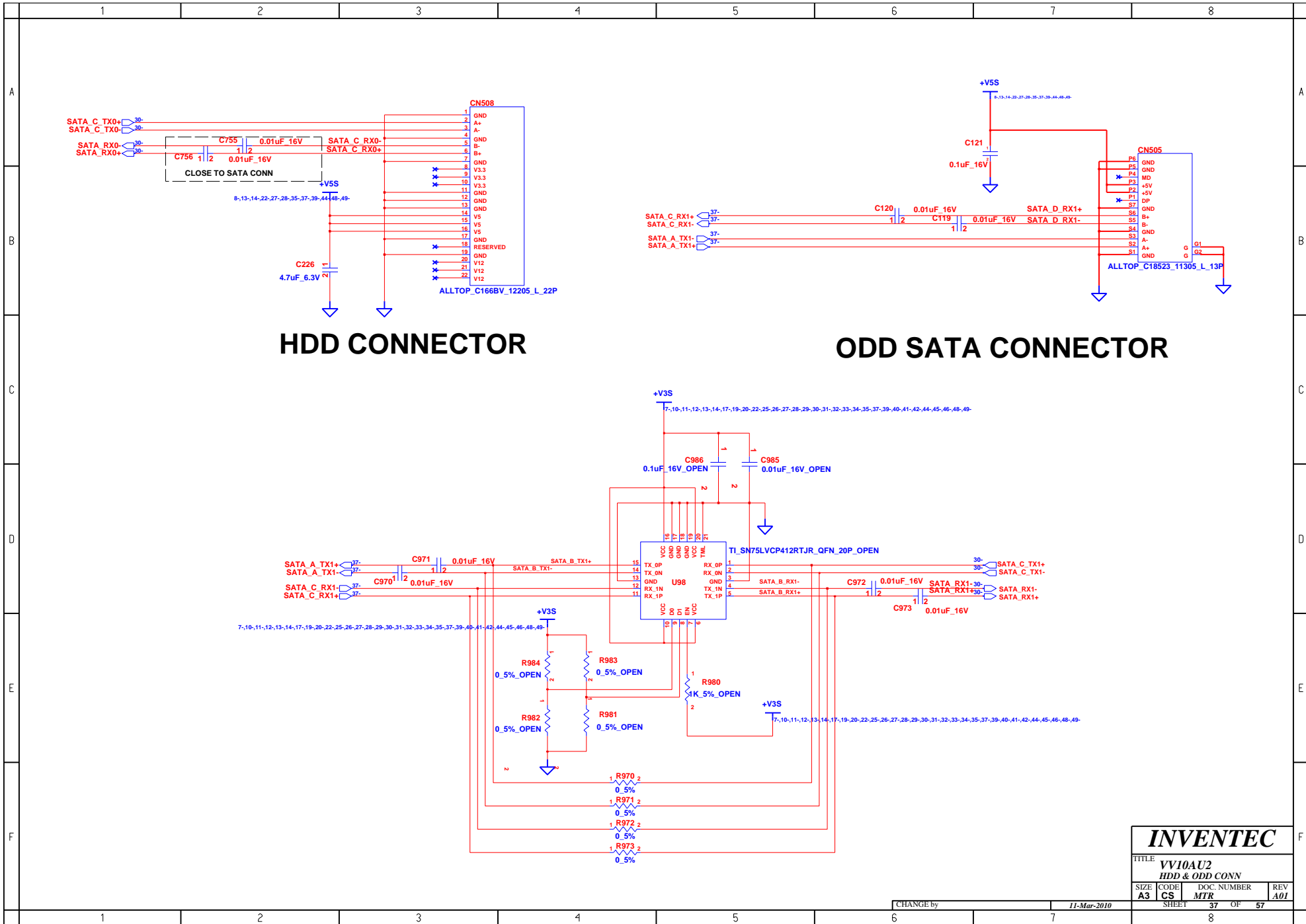


### SPI Flash

**INVENTEC**

|         |      |             |     |
|---------|------|-------------|-----|
| TITLE   |      |             |     |
| VV10AU2 |      |             |     |
| SPI     |      |             |     |
| SIZE    | CODE | DOC. NUMBER | REV |
| A3      | CS   | MTR         | A01 |
| SHEET   |      | OF          |     |
| 36      |      | 57          |     |

CHANGE by 11-Mar-2010



### HDD CONNECTOR

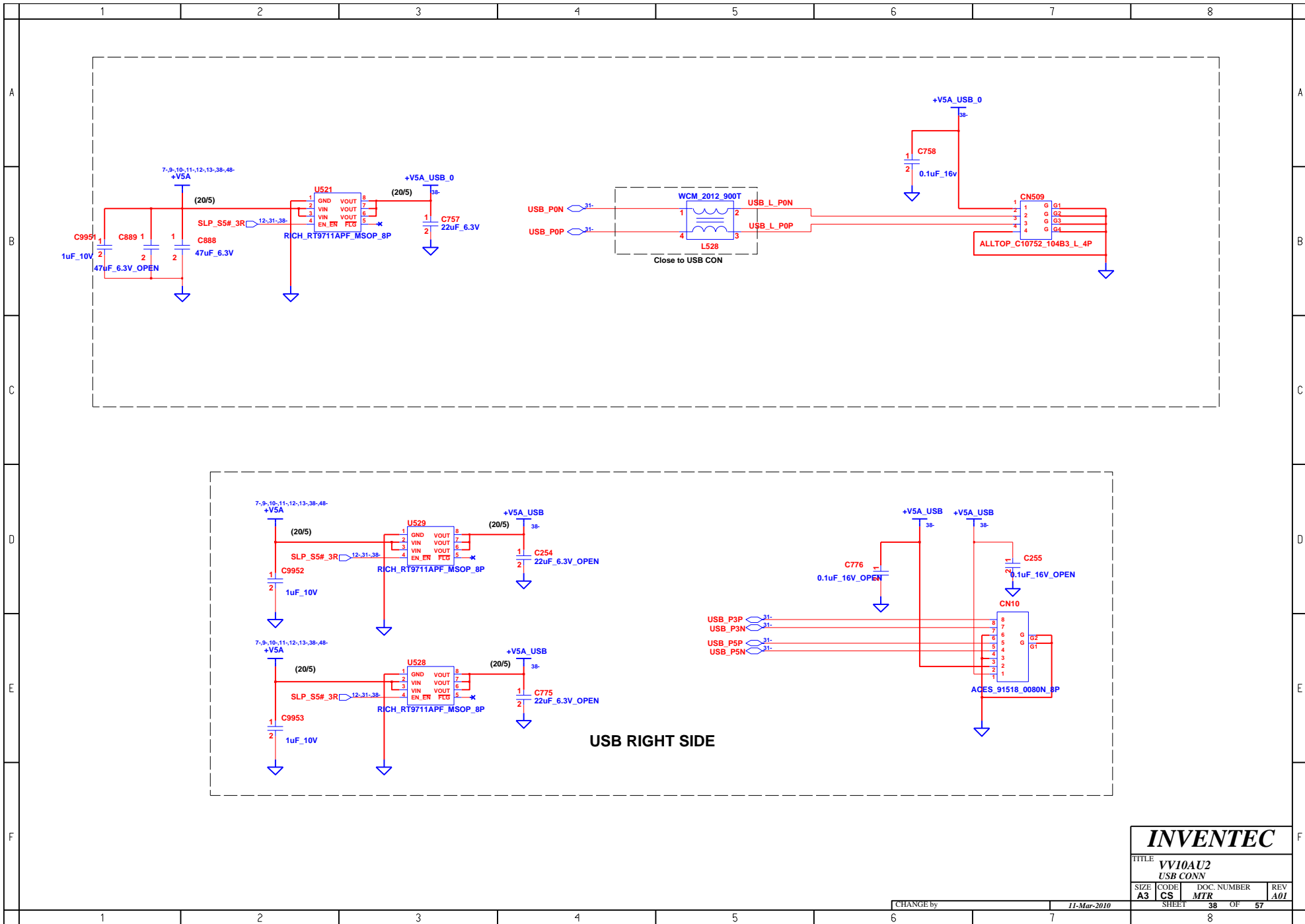
### ODD SATA CONNECTOR

**INVENTEC**

TITLE **VV10AU2  
HDD & ODD CONN**

|      |      |             |     |
|------|------|-------------|-----|
| SIZE | CODE | DOC. NUMBER | REV |
| A3   | CS   | MTR         | A01 |

CHANGE by 11-Mar-2010 SHEET 37 OF 57

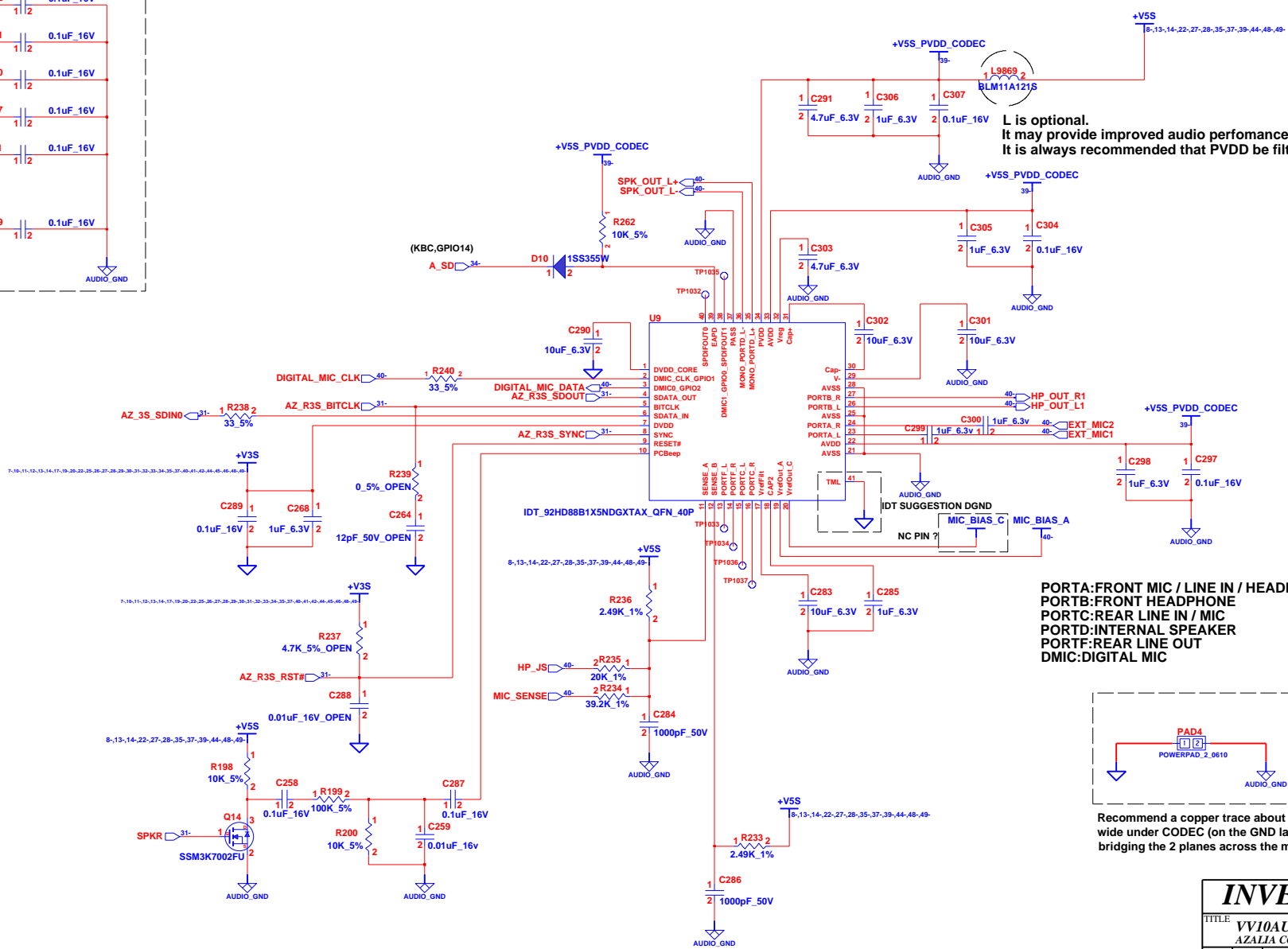
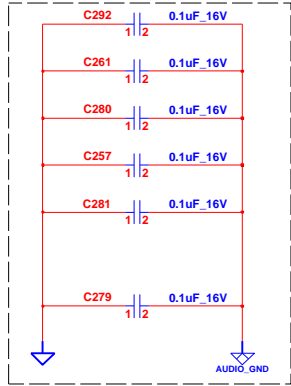


USB RIGHT SIDE

**INVENTEC**

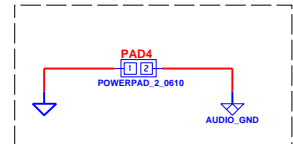
|          |      |             |     |
|----------|------|-------------|-----|
| TITLE    |      |             |     |
| VV10AU2  |      |             |     |
| USB CONN |      |             |     |
| SIZE     | CODE | DOC. NUMBER | REV |
| A3       | CS   | MTR         | A01 |

# For EMI



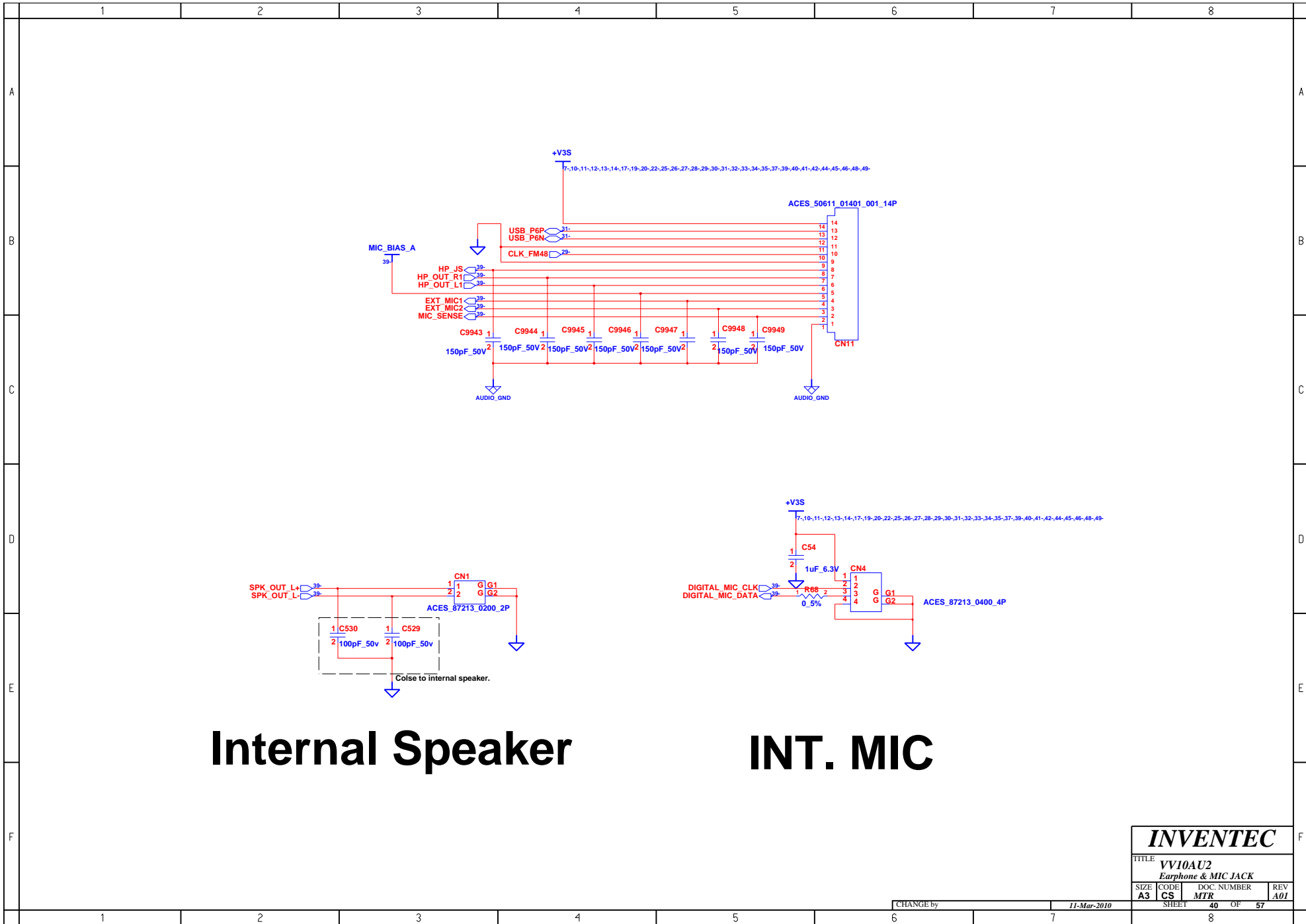
L is optional.  
It may provide improved audio performance.  
It is always recommended that PVDD be filtered from 5V.

PORTA:FRONT MIC / LINE IN / HEADPHONE  
PORTB:FRONT HEADPHONE  
PORTC:REAR LINE IN / MIC  
PORTD:INTERNAL SPEAKER  
PORTF:REAR LINE OUT  
DMIC:DIGITAL MIC



Recommend a copper trace about 80 mills wide under CODEC (on the GND layer) bridging the 2 planes across the moat.

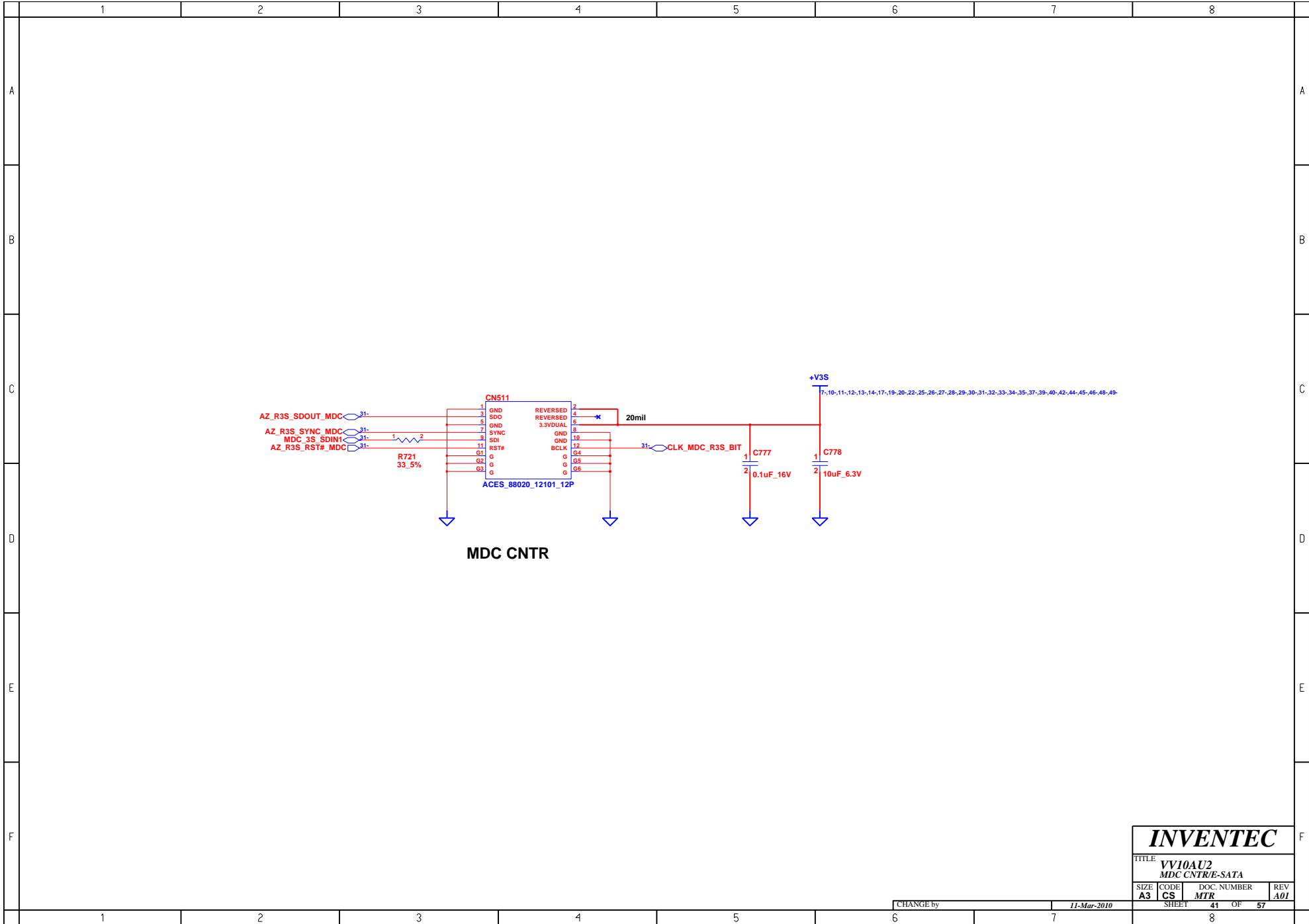
|                                  |            |                    |            |
|----------------------------------|------------|--------------------|------------|
| <b>INVENTEC</b>                  |            |                    |            |
| TITLE<br>VV10AU2<br>AZALIA CODEC |            |                    |            |
| SIZE<br>A3                       | CODE<br>CS | DOC. NUMBER<br>MTR | REV<br>A01 |
| CHANGE by                        |            | 11-Mar-2010        |            |
| SHEET                            |            | 39 OF 57           |            |



**INVENTEC**

|                     |      |             |                |
|---------------------|------|-------------|----------------|
| TITLE               |      |             |                |
| VV10AU2             |      |             |                |
| Earphone & MIC JACK |      |             |                |
| SIZE                | CODE | DOC. NUMBER | REV            |
| A3                  | CS   | MTR         | A01            |
| CHANGE by           |      | 11-Mar-2010 | SHEET 40 OF 57 |





**INVENTEC**

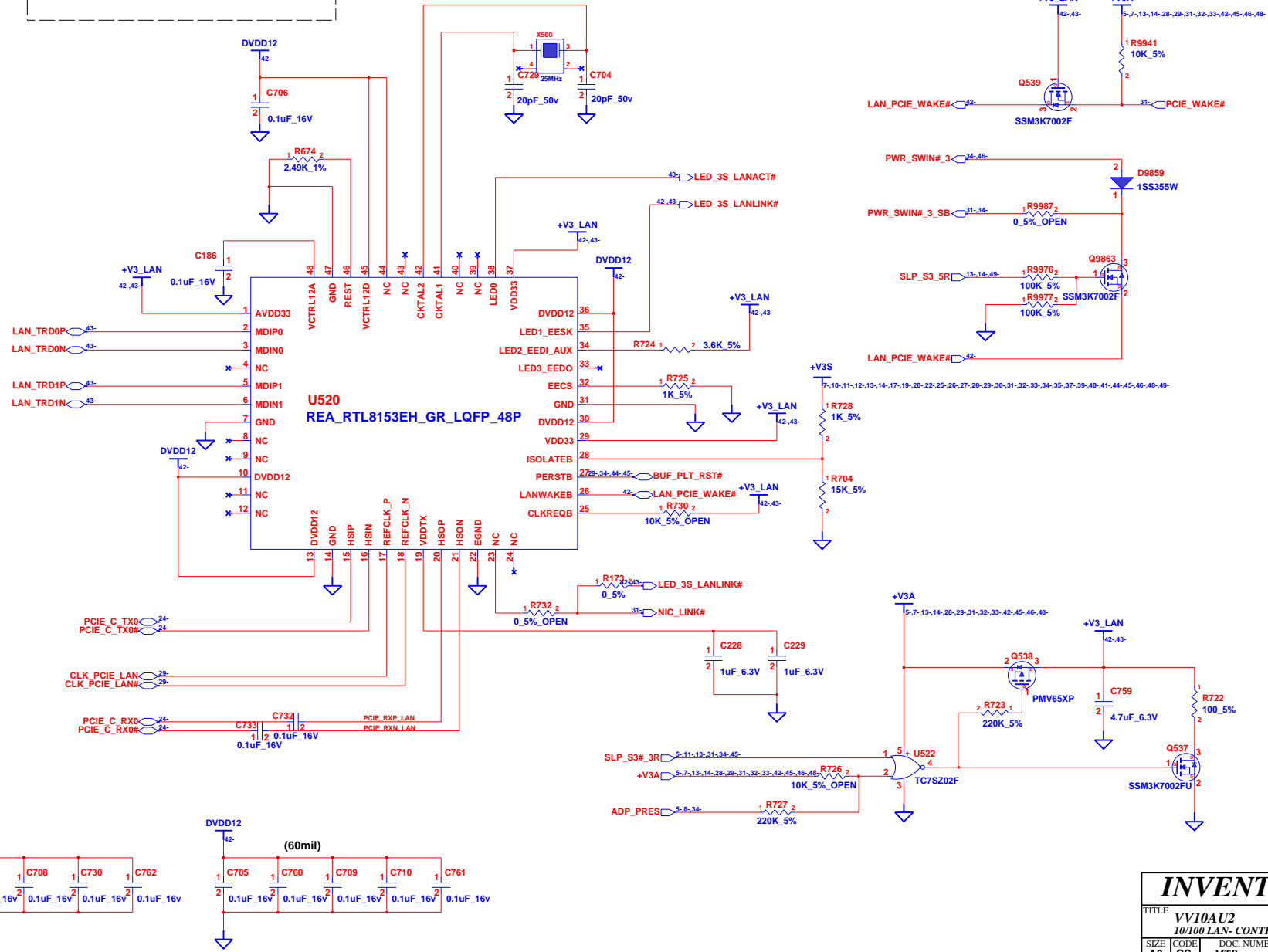
TITLE **VV10AU2**  
**MDC CNTR/E-SATA**

|      |      |             |     |
|------|------|-------------|-----|
| SIZE | CODE | DOC. NUMBER | REV |
| A3   | CS   | MTR         | A01 |

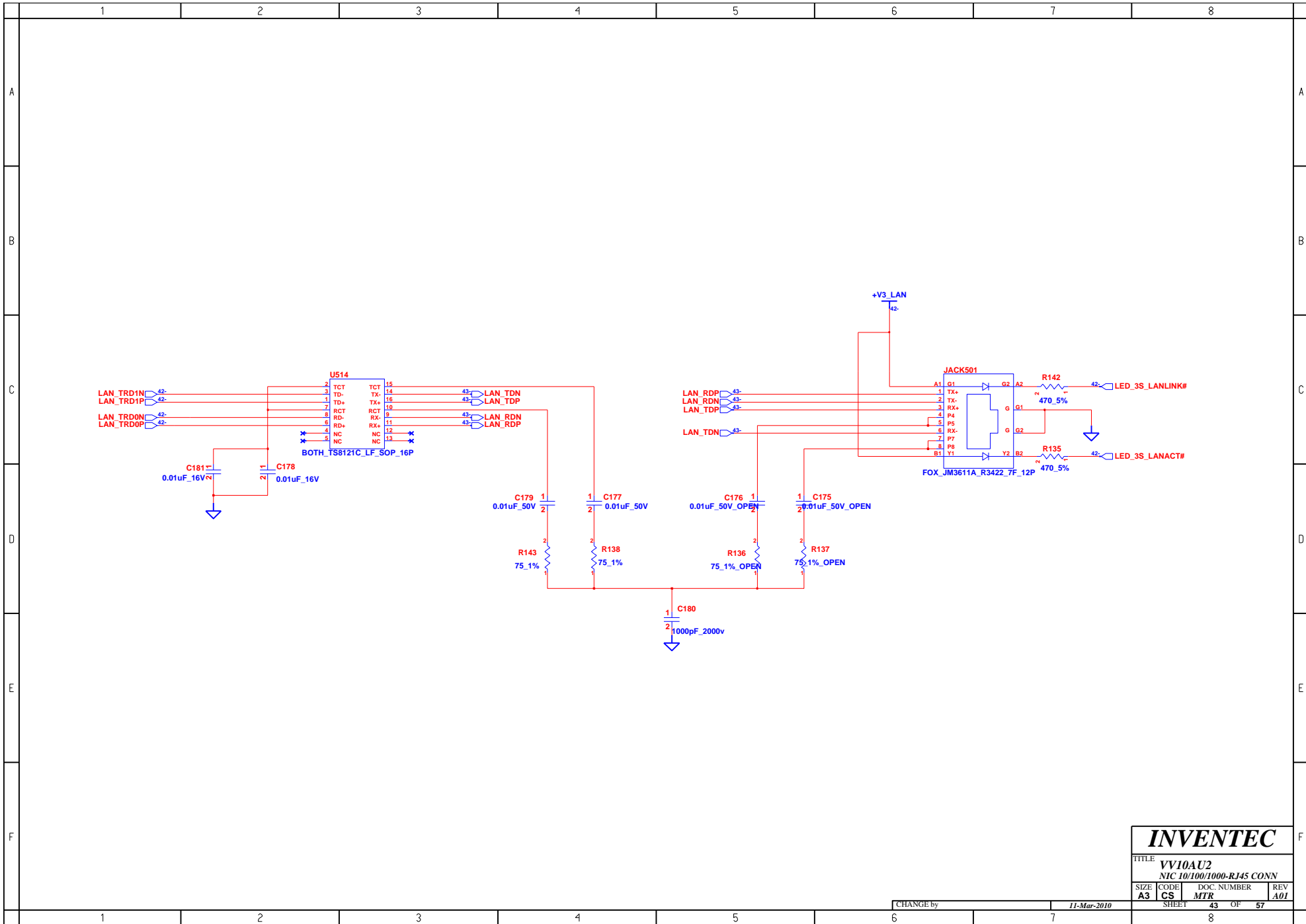
CHANGE by 11-Mar-2010

SHEET 41 OF 57

PIN43 : (High) Switching regulator is enable.  
 PIN43 : (Low) External power 1.2V is used.



|   |                   |                           |                   |
|---|-------------------|---------------------------|-------------------|
| <b>INVENTEC</b>   |                   |                           |                   |
| TITLE<br><b>VV10AU2</b><br><b>10/100 LAN-CONTROLLER</b> |                   |                           |                   |
| SIZE<br><b>A3</b>                                       | CODE<br><b>CS</b> | DOC. NUMBER<br><b>MTR</b> | REV<br><b>A01</b> |
| CHANGE by   |                   | 11-Mar-2010               |                   |
| SHEET 42  |                   | OF 57                     |                   |



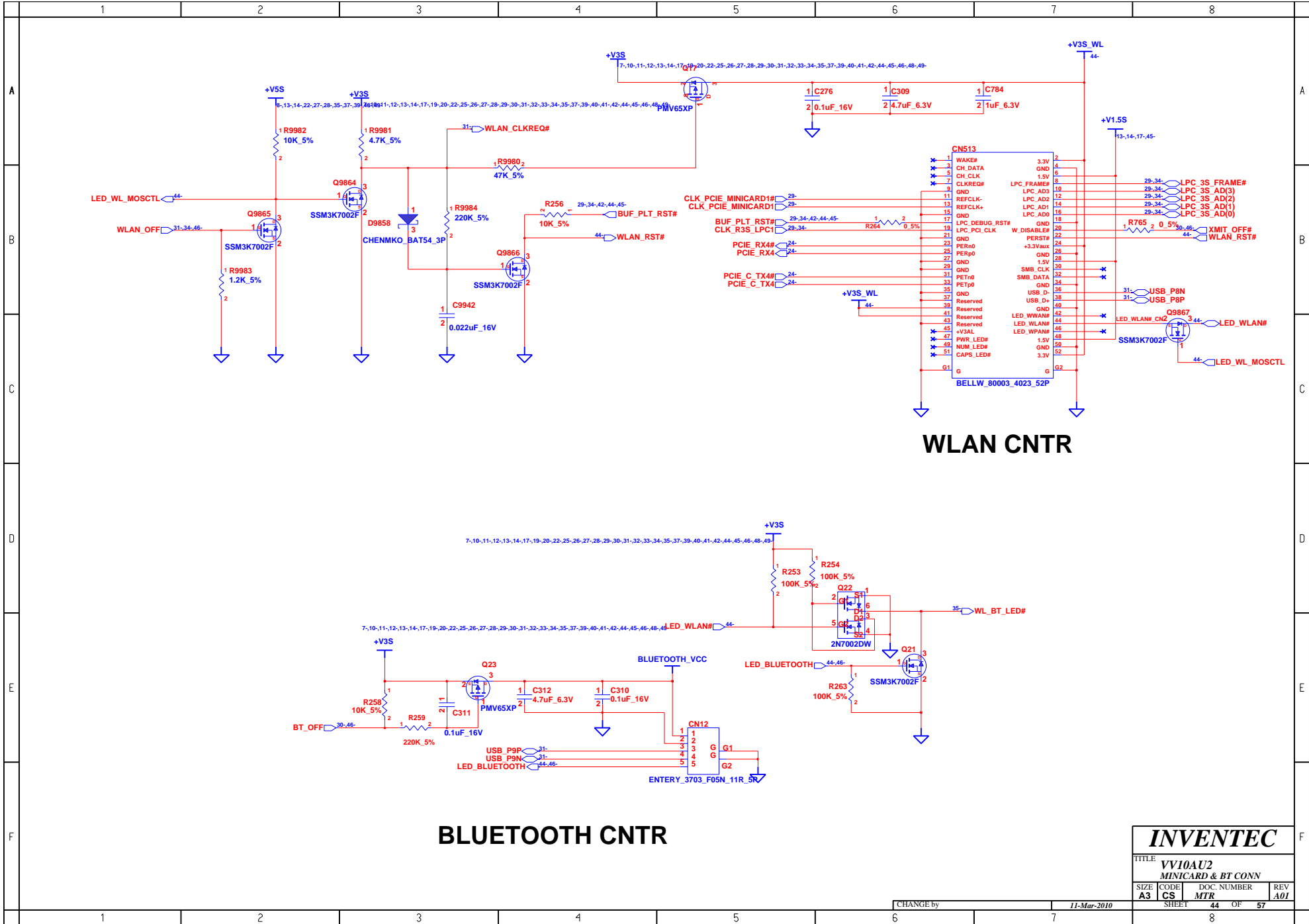
**INVENTEC**

TITLE **VV10AU2**  
**NIC 10/100/1000-RJ45 CONN**

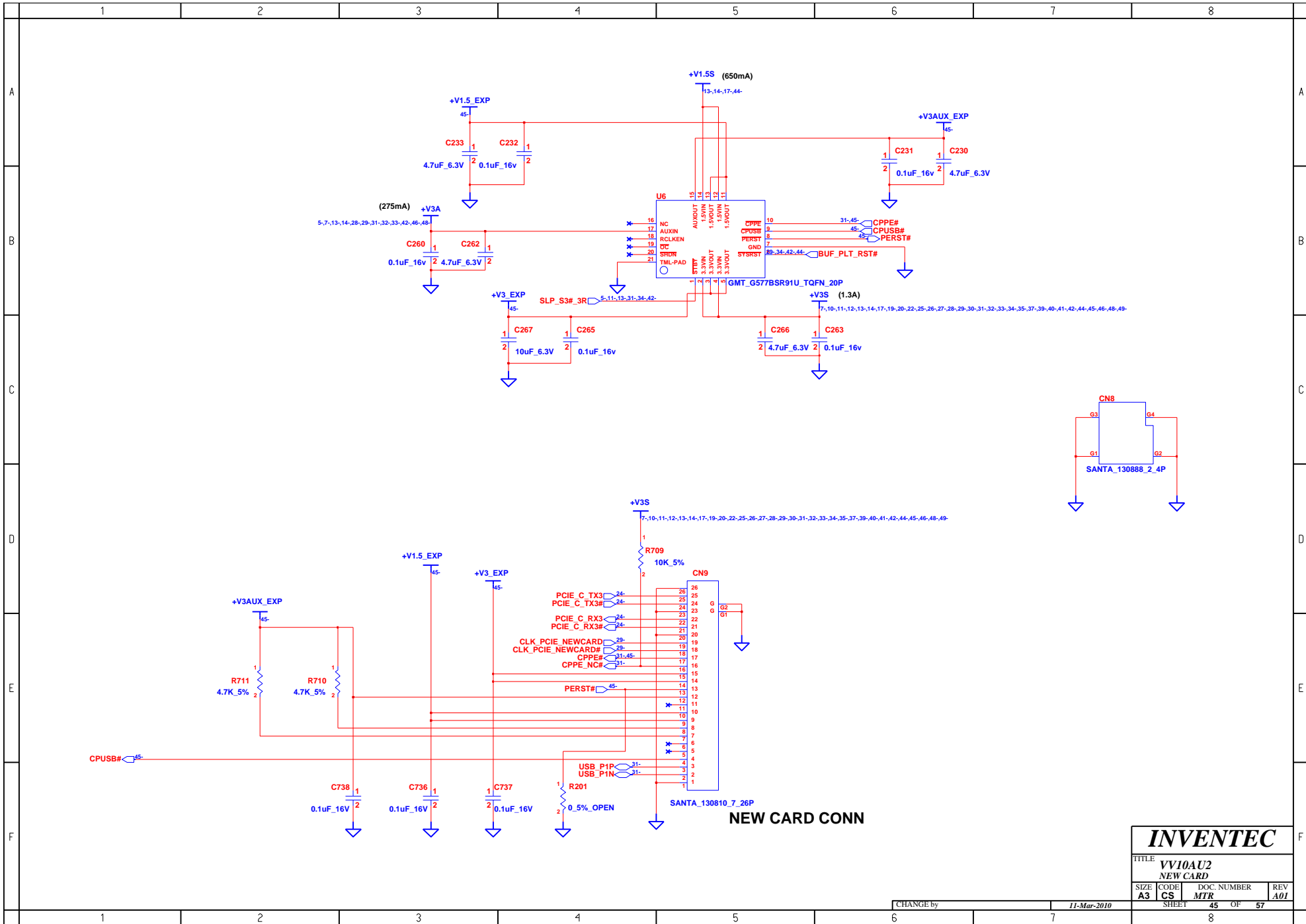
|      |      |             |     |
|------|------|-------------|-----|
| SIZE | CODE | DOC. NUMBER | REV |
| A3   | CS   | MTR         | A01 |

CHANGE by 11-Mar-2010

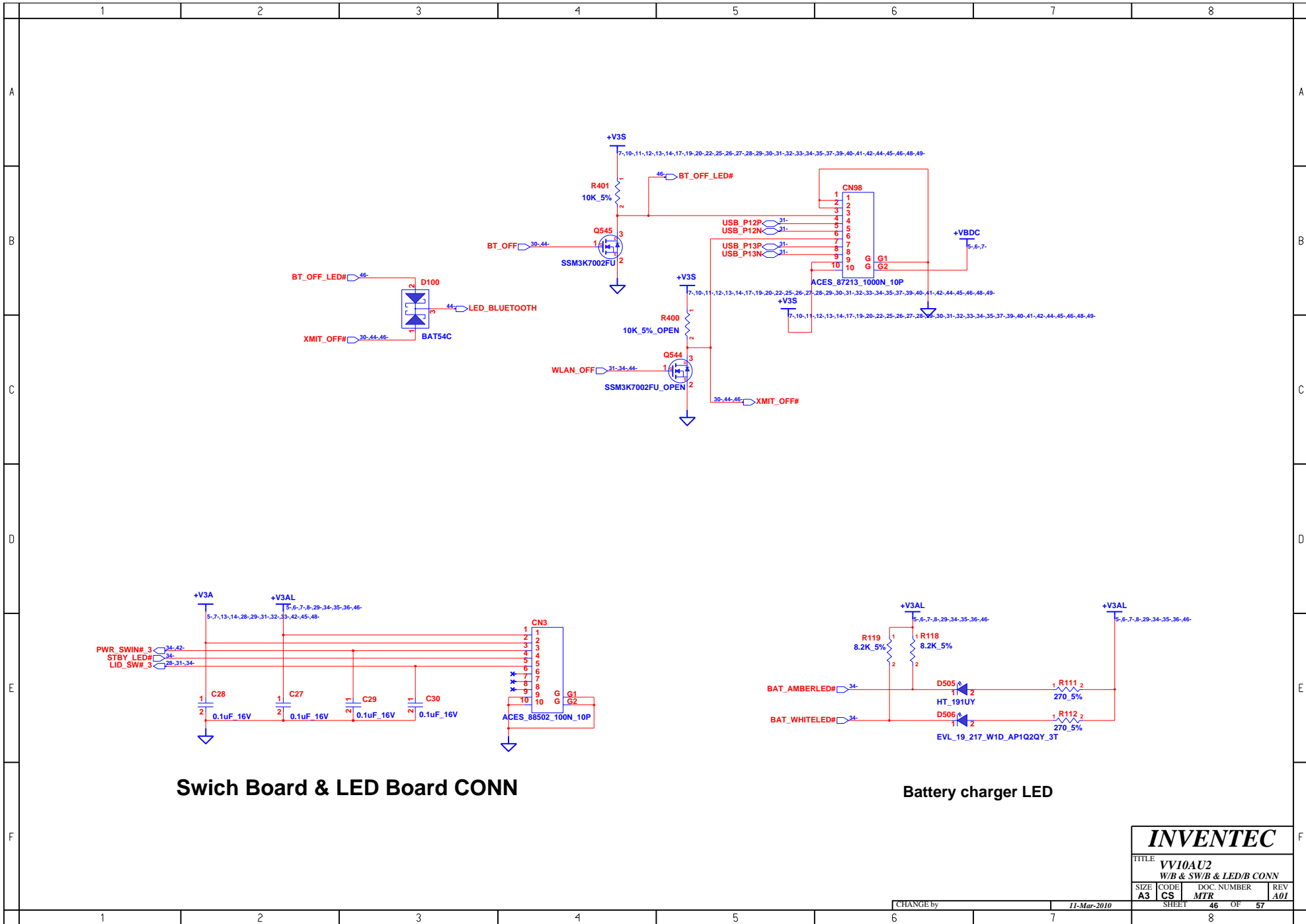
SHEET 43 OF 57



|                                  |         |                |                |
|----------------------------------|---------|----------------|----------------|
| <b>INVENTEC</b>                  |         |                |                |
| TITLE VV10AU2 MINICARD & BT CONN |         |                |                |
| SIZE A3                          | CODE CS | DOC NUMBER MTR | REV A01        |
| CHANGE by                        |         | 11-Mar-2010    | SHEET 44 OF 57 |



|                              |            |                    |                |
|------------------------------|------------|--------------------|----------------|
| <b>INVENTEC</b>              |            |                    |                |
| TITLE<br>VV10AU2<br>NEW CARD |            |                    |                |
| SIZE<br>A3                   | CODE<br>CS | DOC. NUMBER<br>MTR | REV<br>A01     |
| CHANGE by                    |            | 11-Mar-2010        | SHEET 45 OF 57 |

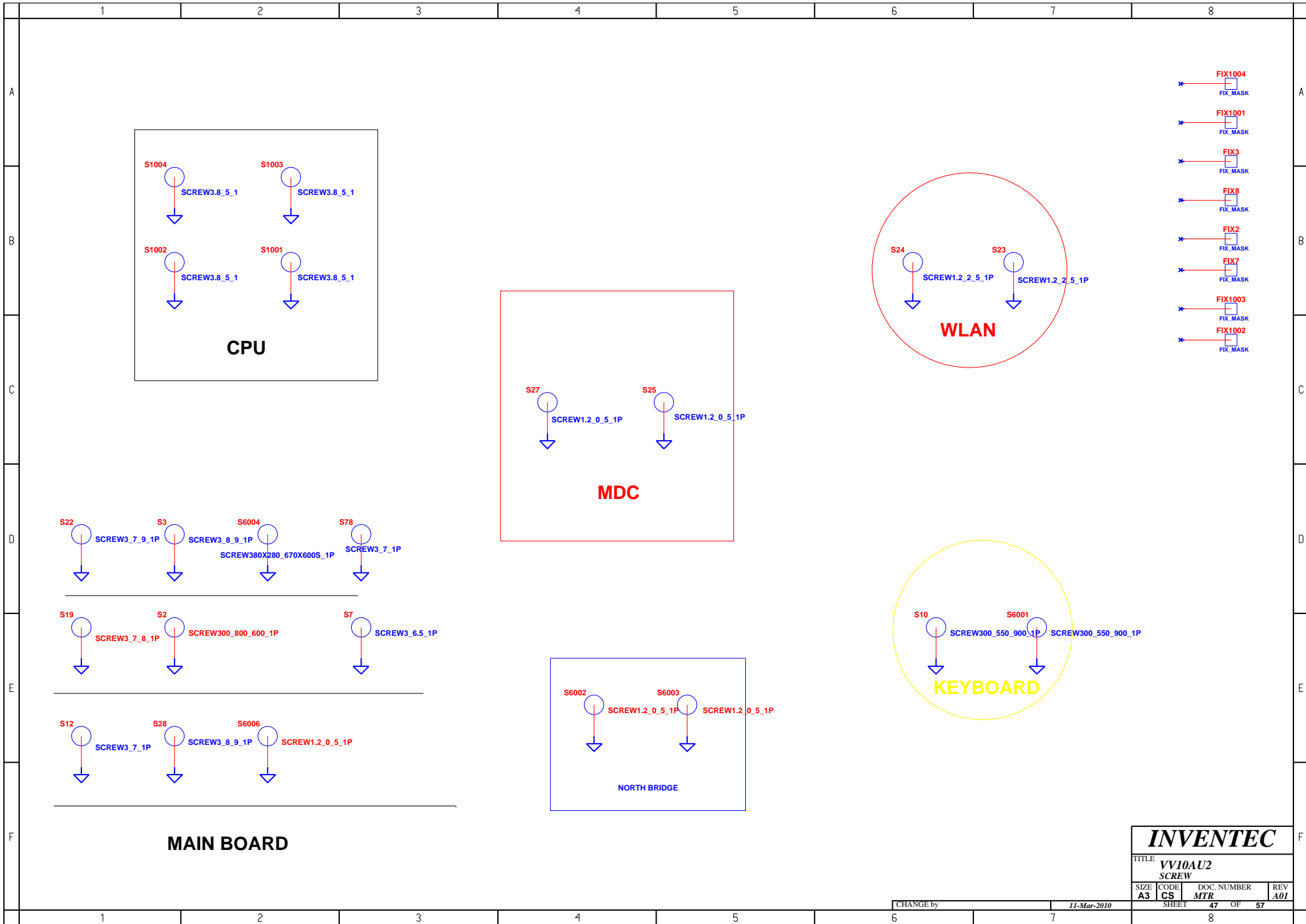


**Swich Board & LED Board CONN**

**Battery charger LED**

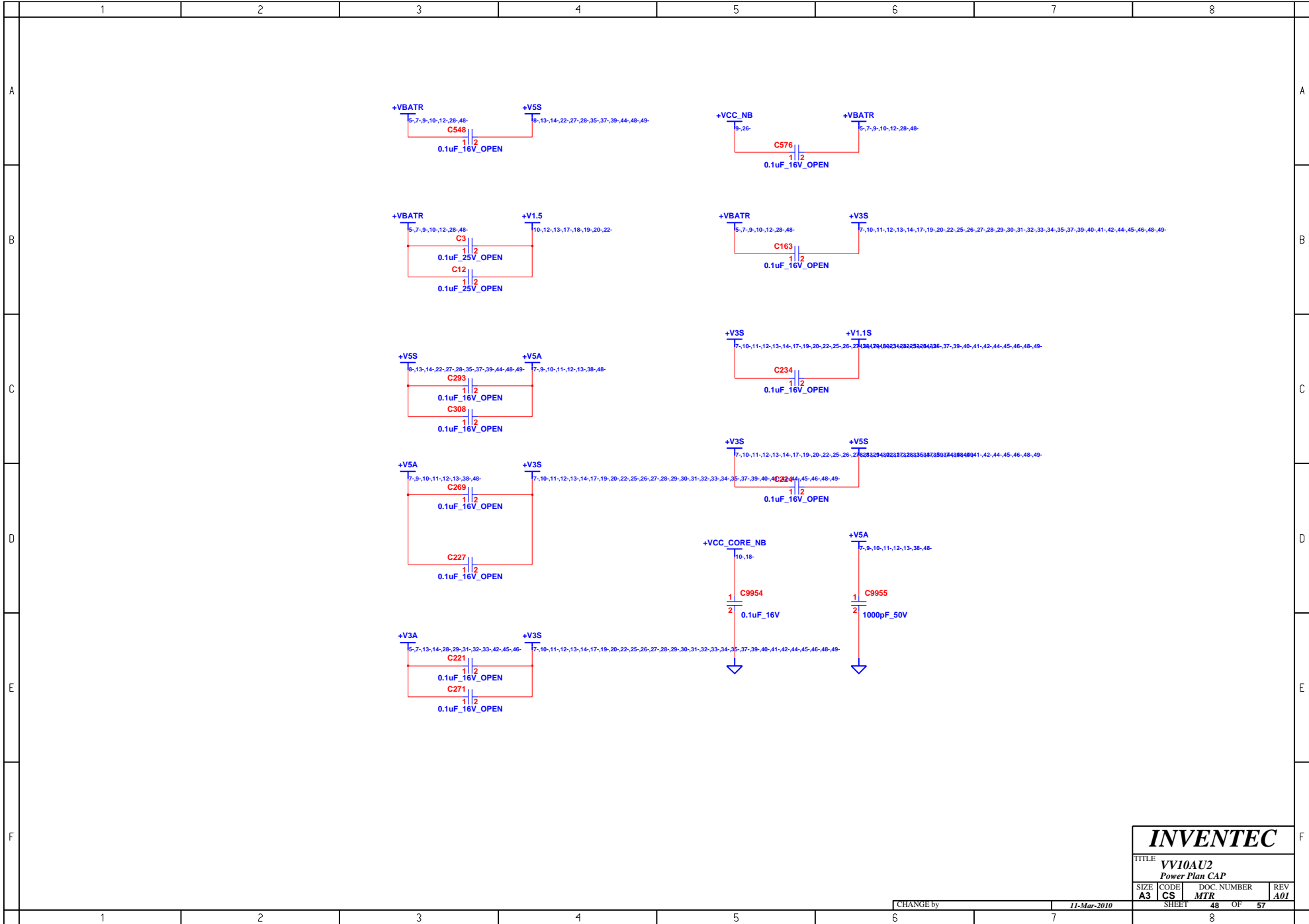
**INVENTEC**

|                         |      |             |     |
|-------------------------|------|-------------|-----|
| TITLE                   |      |             |     |
| VV10AU2                 |      |             |     |
| W/B & SW/B & LED/B CONN |      |             |     |
| SIZE                    | CODE | DOC. NUMBER | REV |
| A3                      | CS   | MTR         | A01 |



**INVENTEC**

|         |      |             |     |
|---------|------|-------------|-----|
| TITLE   |      |             |     |
| VV10AU2 |      |             |     |
| SCREW   |      |             |     |
| SIZE    | CODE | DOC. NUMBER | REV |
| A3      | CS   | MTR         | A01 |

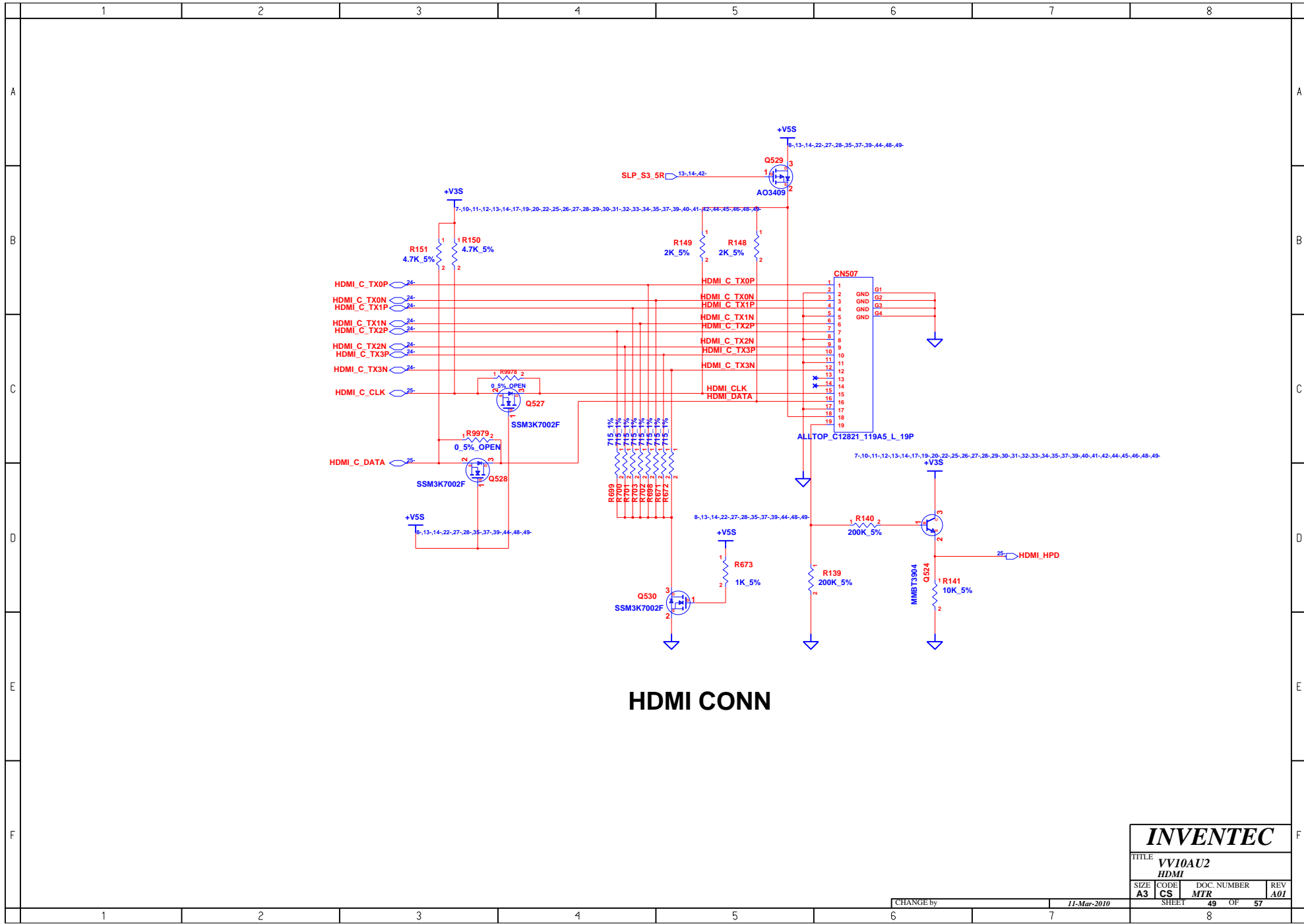


# INVENTEC

|                |      |             |     |
|----------------|------|-------------|-----|
| TITLE          |      |             |     |
| VV10AU2        |      |             |     |
| Power Plan CAP |      |             |     |
| SIZE           | CODE | DOC. NUMBER | REV |
| A3             | CS   | MTR         | A01 |

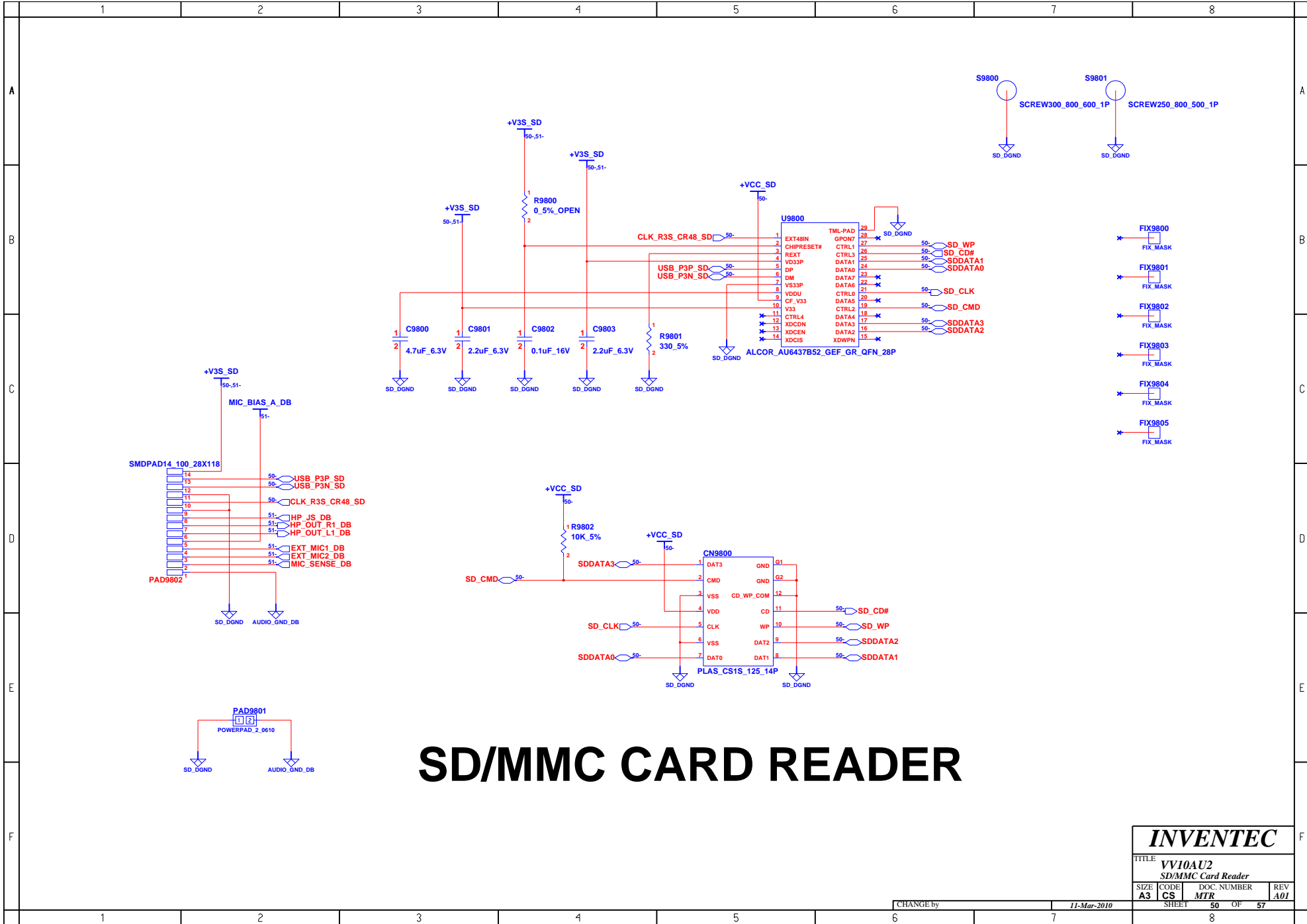
CHANGE by 11-Mar-2010 SHEET 48 OF 57





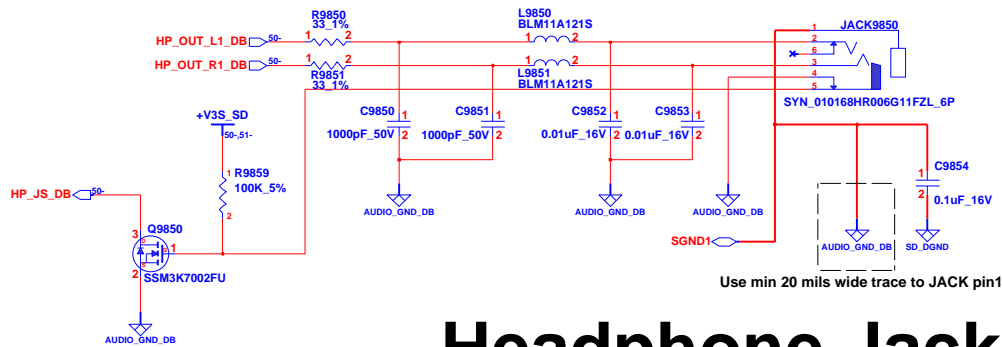
# HDMI CONN

|                      |                |                        |                |
|----------------------|----------------|------------------------|----------------|
| <b>INVENTEC</b>      |                |                        |                |
| TITLE <b>VV10AU2</b> |                |                        |                |
| HDMI                 |                |                        |                |
| SIZE <b>A3</b>       | CODE <b>CS</b> | DOC. NUMBER <b>MTR</b> | REV <b>A01</b> |
| CHANGE by            |                | 11-Mar-2010            | SHEET 49 OF 57 |

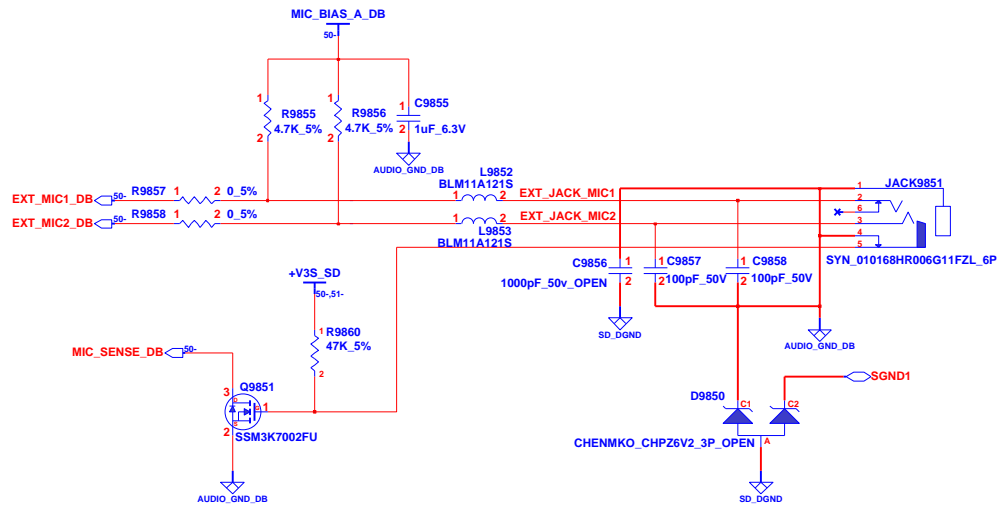


# SD/MMC CARD READER

|  |            |                    |            |
|--|------------|--------------------|------------|
| <b>INVENTEC</b>                        |            |                    |            |
| TITLE<br>VV10AU2<br>SD/MMC Card Reader |            |                    |            |
| SIZE<br>A3                             | CODE<br>CS | DOC. NUMBER<br>MTR | REV<br>A01 |
| CHANGE by                              |            | 11-Mar-2010        |            |
| SHEET                                  |            | 50 OF 57           |            |



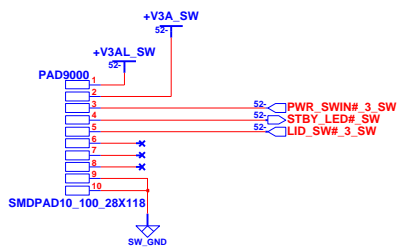
# Headphone Jack



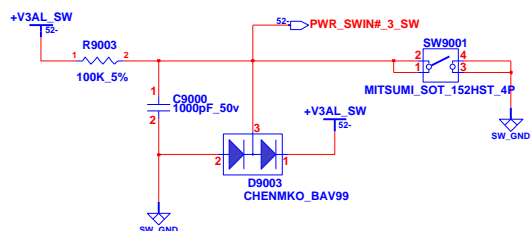
# MIC Jack

**INVENTEC**

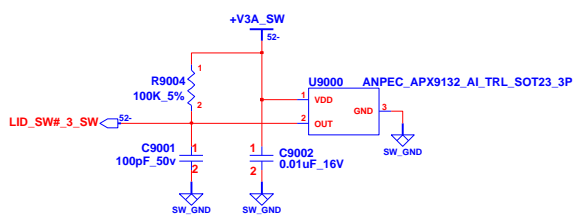
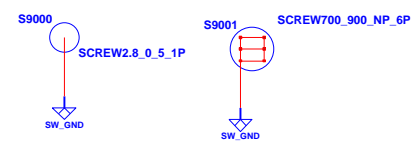
|                                 |      |             |                |
|---------------------------------|------|-------------|----------------|
| TITLE                           |      |             |                |
| VV10AU2<br>Headphone & MIC JACK |      |             |                |
| SIZE                            | CODE | DOC. NUMBER | REV            |
| A3                              | CS   | MTR         | A01            |
| CHANGE by                       |      | 11-Mar-2010 | SHEET 51 OF 57 |



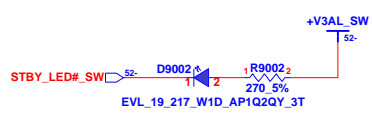
**PWR SW B/B CONN**



**Power Button**



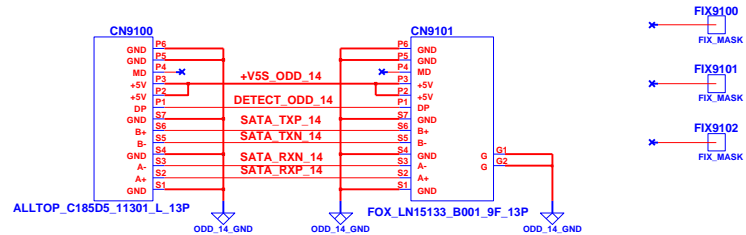
**LID Switch**



**Power / Standby LED**

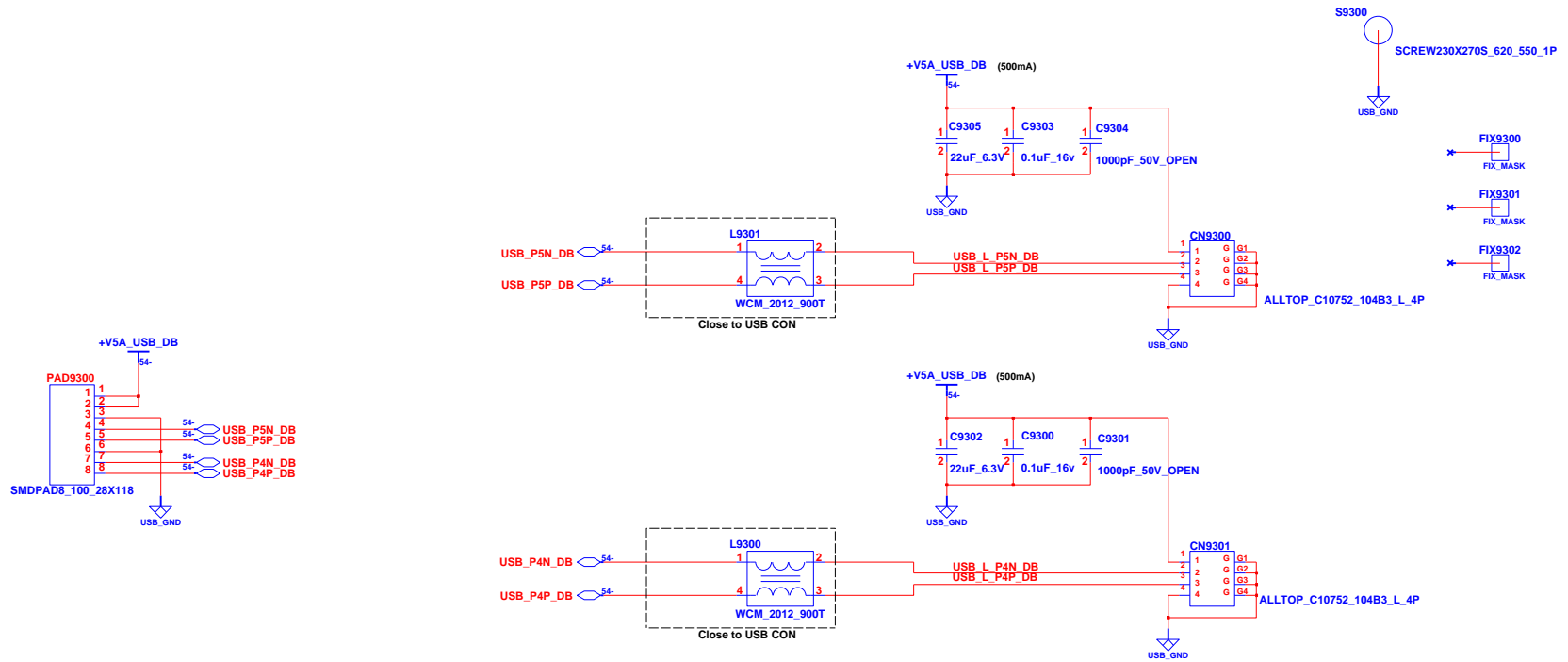
# Power Button & LID Switch Board

|                  |            |                    |            |
|------------------|------------|--------------------|------------|
| <b>INVENTEC</b>  |            |                    |            |
| TITLE<br>VV10AU2 |            |                    |            |
| SIZE<br>A3       | CODE<br>CS | DOC. NUMBER<br>MTR | REV<br>A01 |
| CHANGE by        |            | 11-Mar-2010        |            |
| SHEET            |            | 52 OF 57           |            |



# 14''ODD Extend Board

|                         |                   |                           |                   |
|-------------------------|-------------------|---------------------------|-------------------|
| <b>INVENTEC</b>         |                   |                           |                   |
| TITLE<br><b>VV10AU2</b> |                   |                           |                   |
| SIZE<br><b>A3</b>       | CODE<br><b>CS</b> | DOC. NUMBER<br><b>MTR</b> | REV<br><b>A01</b> |
| CHANGE by               |                   | 11-Mar-2010               |                   |
| SHEET                   |                   | 53 OF 57                  |                   |



# USB Right Side Board

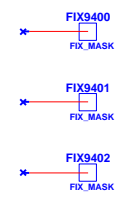
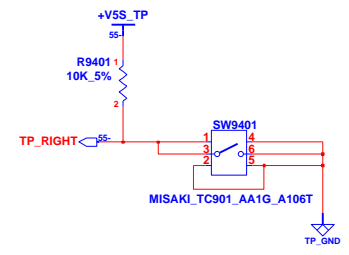
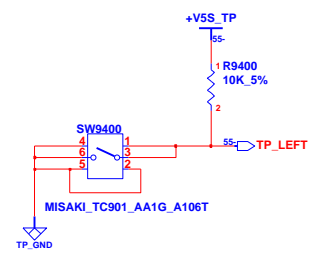
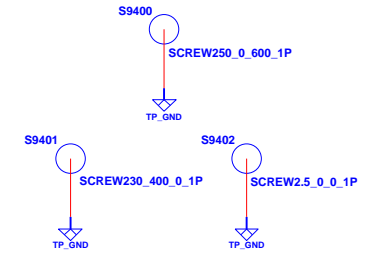
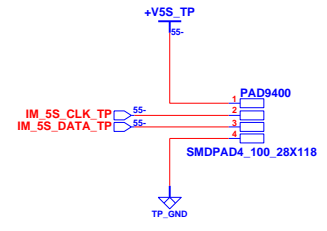
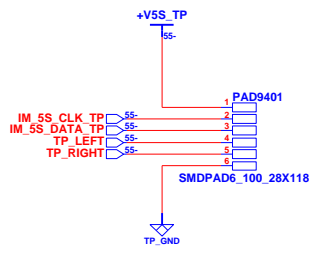
**INVENTEC**

TITLE  
VV10AU2

|            |            |                    |            |
|------------|------------|--------------------|------------|
| SIZE<br>A3 | CODE<br>CS | DOC. NUMBER<br>MTR | REV<br>A01 |
|------------|------------|--------------------|------------|

CHANGE by 11-Mar-2010

SHEET 54 OF 57



**LEFT BUTTON**

**RIGHT BUTTON**

# PICK Button Board

|                      |           |             |            |
|----------------------|-----------|-------------|------------|
| <b>INVENTEC</b>      |           |             |            |
| TITLE <b>VV10AU2</b> |           |             |            |
| SIZE                 | CODE      | DOC. NUMBER | REV        |
| <b>A3</b>            | <b>CS</b> | <b>MTR</b>  | <b>A01</b> |

# BLANK

## 15" ODD Extend Board

|                      |           |             |            |
|----------------------|-----------|-------------|------------|
| <b>INVENTEC</b>      |           |             |            |
| TITLE <b>VV10AU2</b> |           |             |            |
| SIZE                 | CODE      | DOC. NUMBER | REV        |
| <b>A3</b>            | <b>CS</b> | <b>MTR</b>  | <b>A01</b> |
| CHANGE by            |           | 11-Mar-2010 |            |
| SHEET                |           | 56          | OF 57      |
|                      |           | 8           |            |



**BLANK**

**15" SATA HDD Extend Board**

|                      |                   |                           |                   |
|----------------------|-------------------|---------------------------|-------------------|
| <b>INVENTEC</b>      |                   |                           |                   |
| TITLE <b>VV10AU2</b> |                   |                           |                   |
| SIZE<br><b>A3</b>    | CODE<br><b>CS</b> | DOC. NUMBER<br><b>MTR</b> | REV<br><b>A01</b> |
| CHANGE by            |                   | 11-Mar-2010               |                   |
| SHEET                |                   | 57                        | OF 57             |
|                      |                   | 8                         |                   |