

AMD-UMA

Volna

SI Build Final

2008/12/26

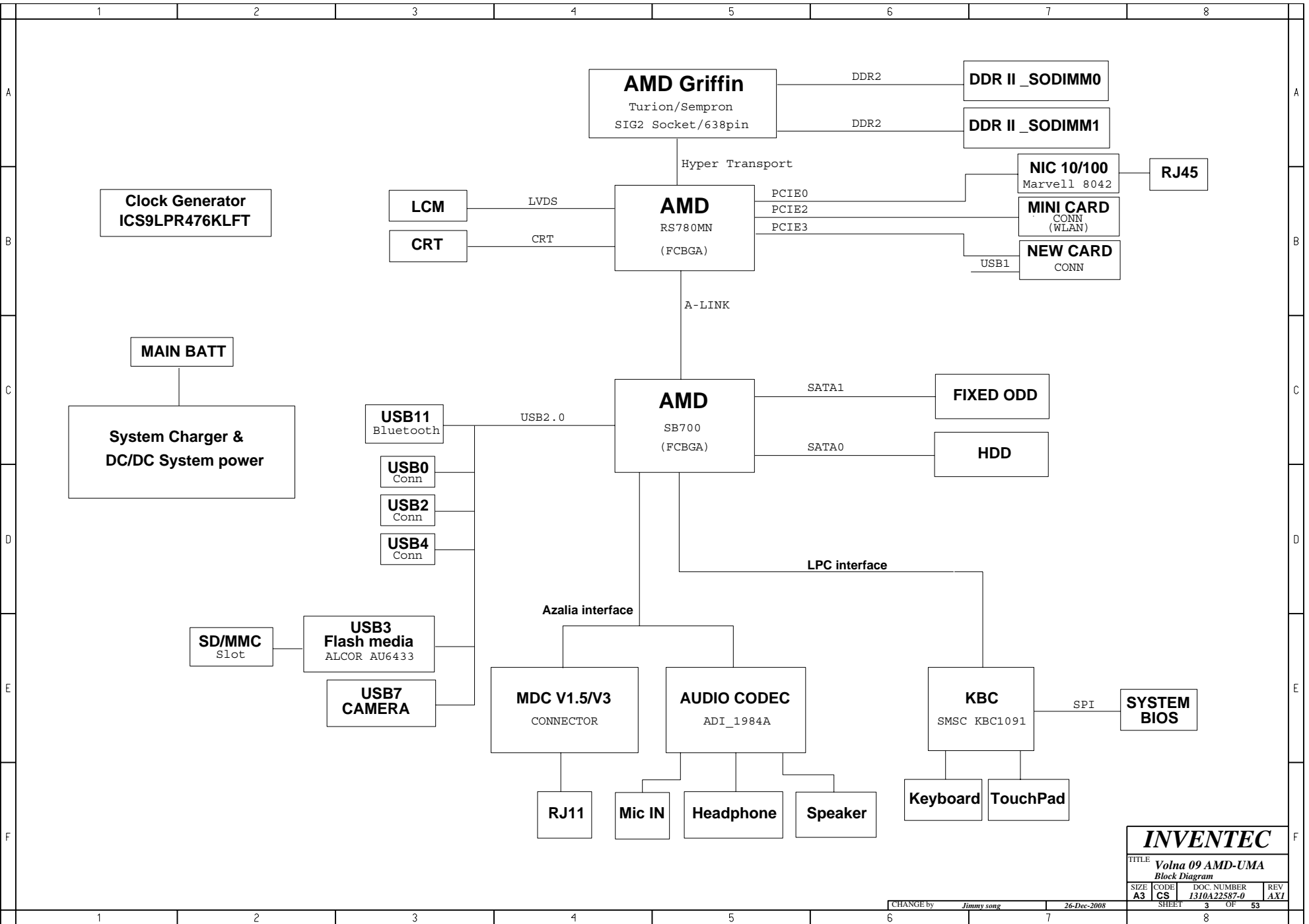
DATE	CHANGE NO.	REV

DRAWER	EE	DATE	POWER	DATE	INVENTEC			
DESIGN					TITLE <i>Volna 09 AMD-UMA</i>			
CHECK								
RESPONSIBLE								
SIZE =	3	VER :			SIZE	CODE	DOC. NUMBER	REV
FILE NAME :	XXXX-XXXXXX-XX				A3	CS	1310A22587-0	AX1
P/N	XXXXXXXXXXXX				SHEET	1	OF	53

TABLE OF CONTENTS

<p>PAGE</p> <p>5- DC& BATTERY CHARGER</p> <p>6- SELECT & BATTERY CONN</p> <p>7- +V5A,+V3A & +V2.5S</p> <p>8- OCP</p> <p>9- +VCC_NB & +V1.2A</p> <p>10- +VCC_CORE</p> <p>11- POWER</p> <p>12- DDR2 POWER</p> <p>13- POWER(SLEEP)</p> <p>14- POWER(SEQUENCE)</p>	<p>PAGE</p> <p>15- CLOCK_GENERATOR</p> <p>16- CPU-1</p> <p>17- CPU-2</p> <p>18- CPU-3</p> <p>19- CPU-4</p> <p>20- THERMAL&FAN CONTROLLER</p> <p>21- RS780MN-1</p> <p>22- RS780MN-2</p> <p>23- RS780MN-3</p> <p>24- RS780MN-4</p> <p>25- DDR2-DIMM0</p> <p>26- DDR2-DIMM1</p> <p>27- DDR2-DAMPING</p> <p>28- CRT</p> <p>29- LCD CONN</p> <p>30- SB700-1</p> <p>31- SB700-2</p> <p>32- SB700-3</p> <p>33- SB700-4</p> <p>34- KBC</p>	<p>PAGE</p> <p>35- KB & TP CONN</p> <p>36- SPI</p> <p>37- HDD & ODD CONN</p> <p>38- USB CONN</p> <p>39- USB WEBCAM CONN</p> <p>40- EMI</p> <p>41- AZALIA CODEC</p> <p>42- Earphone & MIC JACK</p> <p>43- AUDIO AMP & HP JACK</p> <p>44- MDC CNTR</p> <p>45- NIC 10/100- CONTROLLER</p> <p>46- NIC 10/100- RJ45 CONN</p> <p>47- MINICARD & BT CONN</p> <p>48- EXPRESS CARD</p> <p>49- FLASH MEDIA CARD</p> <p>50- BUTTON & LED</p> <p>51- SCREW</p> <p>52- ODD Extention Board</p> <p>53- SWITCH Board</p>
---	---	--

INVENTEC			
TITLE <i>Volna 09 AMD-UMA</i>			
Table Of Content			
SIZE A3	CODE CS	DOC. NUMBER <i>1310A22587-0</i>	REV AX1
CHANGE by <i>Jimmy song</i>		26-Dec-2008	
SHEET		2	OF 53



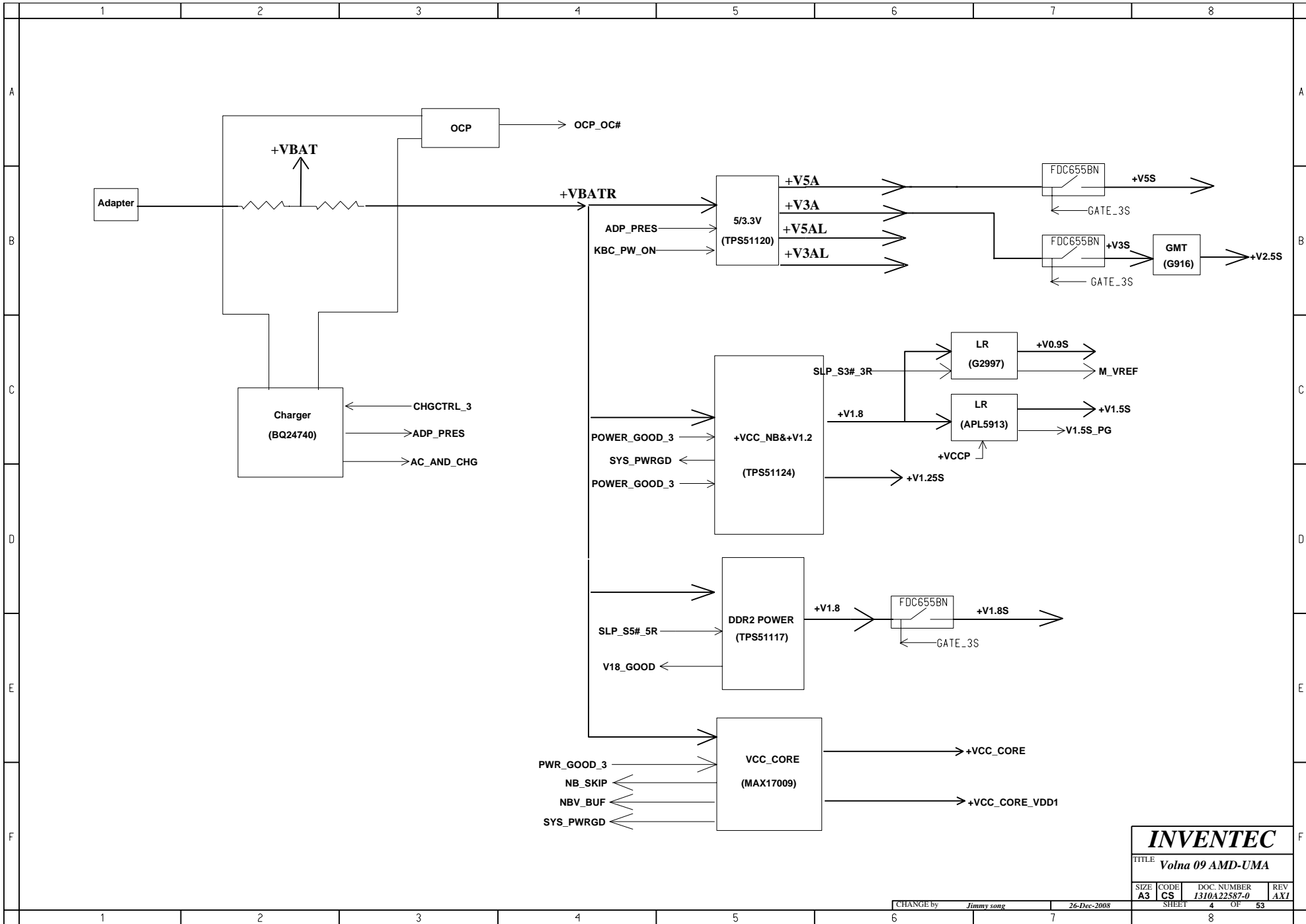
INVENTEC

TITLE
Volna 09 AMD-UMA
Block Diagram

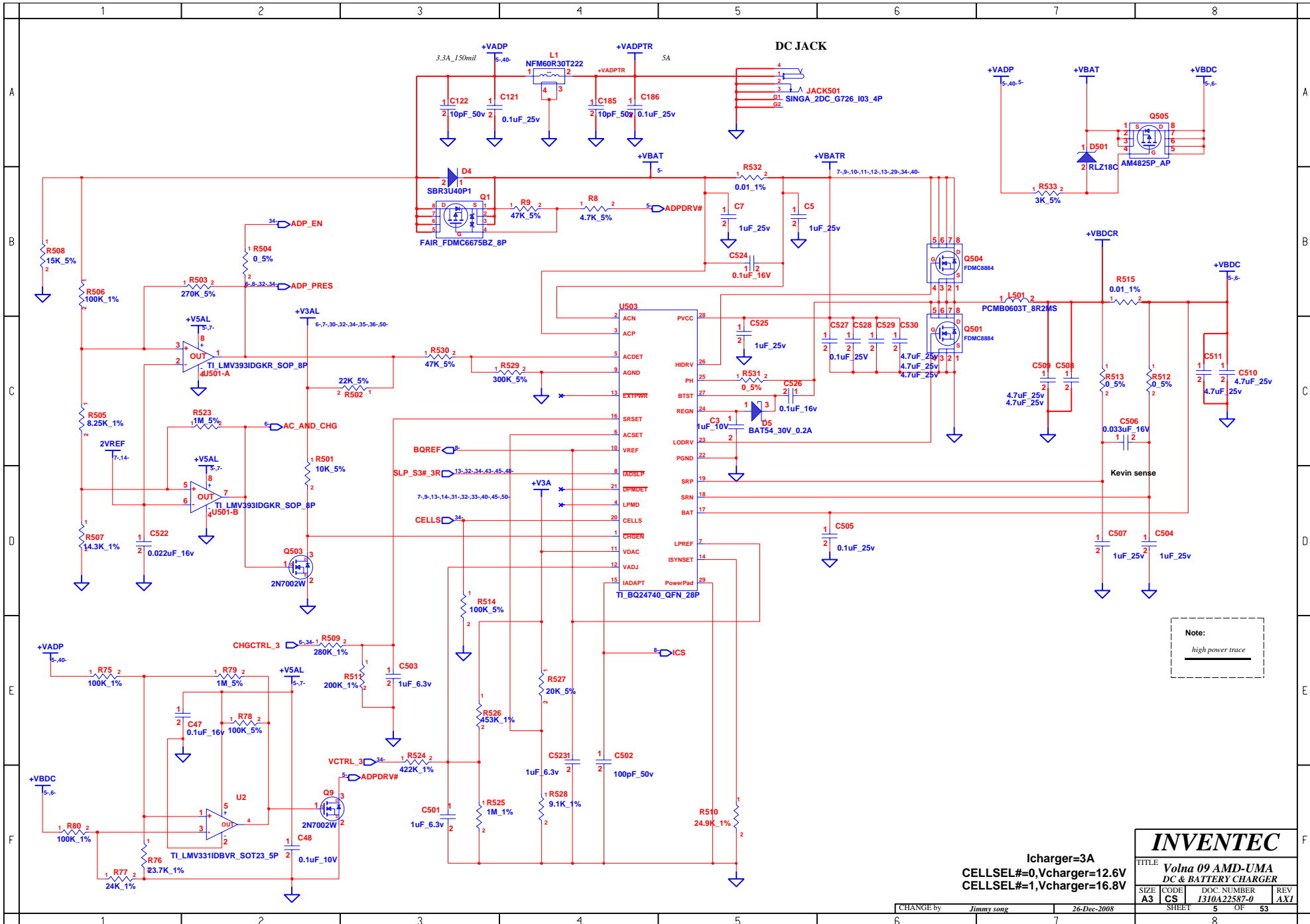
SIZE A3	CODE CS	DOC. NUMBER 1310A22587-0	REV AX1
-------------------	-------------------	------------------------------------	-------------------

CHANGE by *Jimmy song* 26-Dec-2008

SHEET 3 OF 53



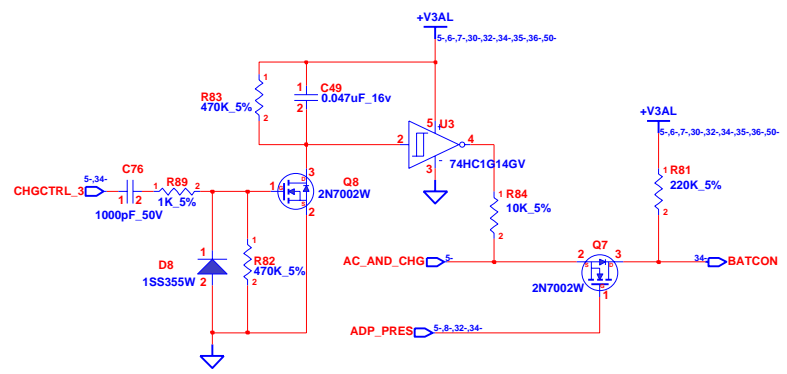
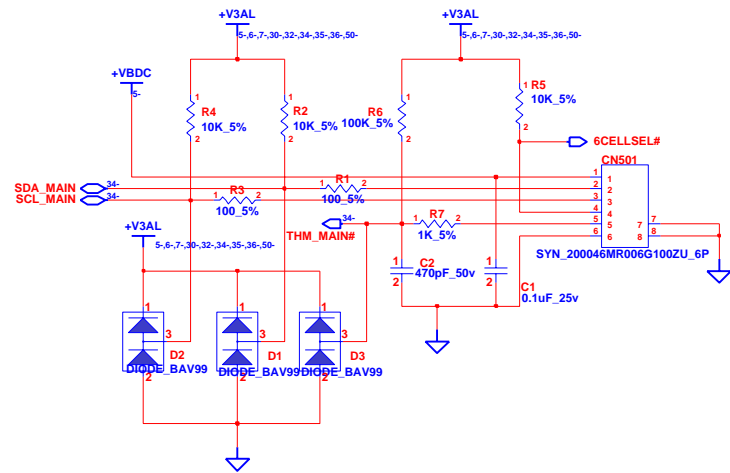
INVENTEC			
TITLE Volna 09 AMD-UMA			
SIZE	CODE	DOC. NUMBER	REV
A3	CS	1310A22587-0	AX1
CHANGE by <i>Jimmy song</i>		26-Dec-2008	SHEET 4 OF 53



Note:
high power trace

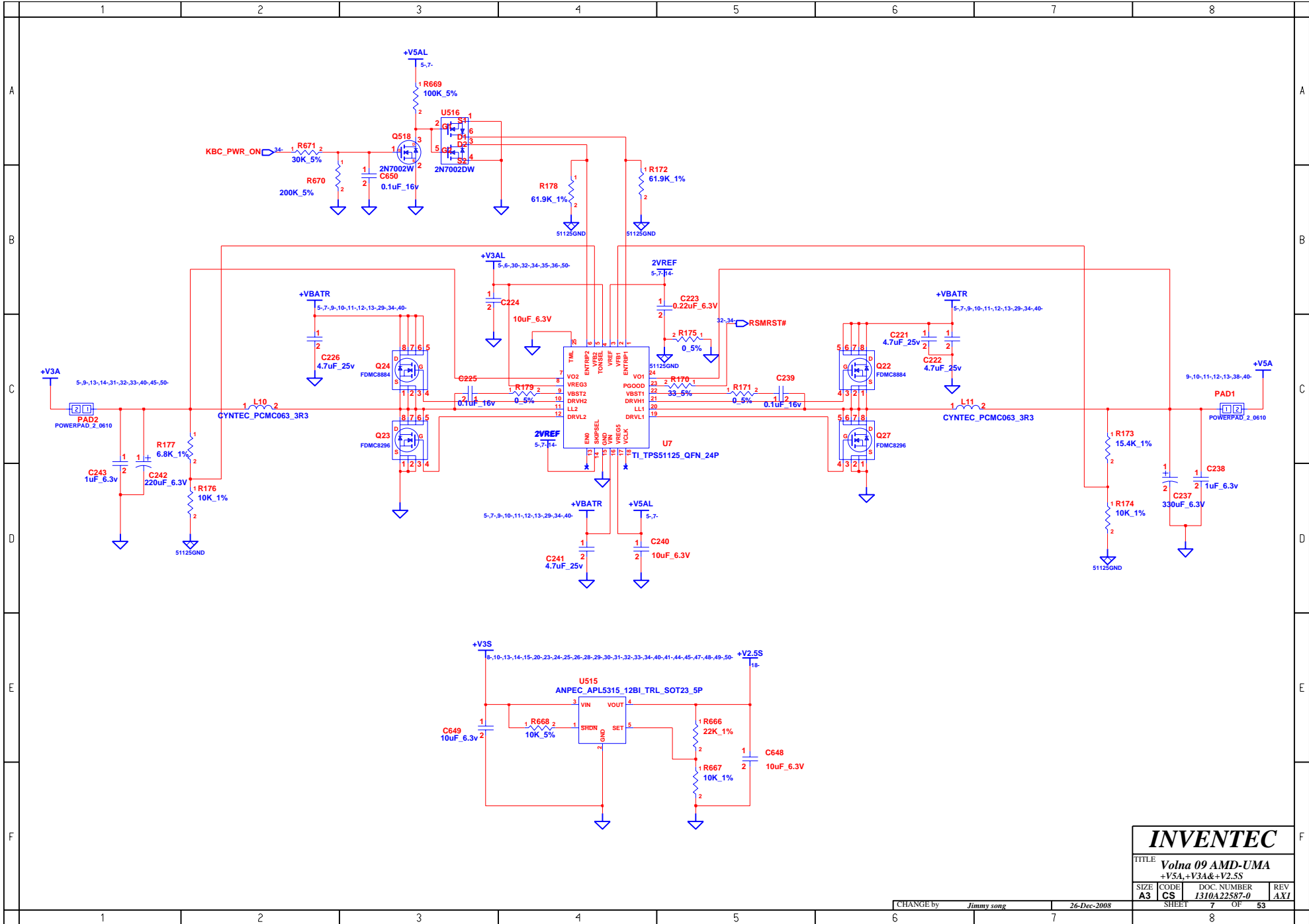
Icharger=3A
CELLSEL#=0,Vcharger=12.6V
CELLSEL#=1,Vcharger=16.8V

INVENTEC			
TITLE: Volna 09 AMD-UMA DC & BATTERY CHARGER			
SIZE A3	CODE CS	DOC NUMBER 1310A22587-0	REV AX1
CHANGE by Jimmy song	26-Dec-2008	SHEET 5	OF 53

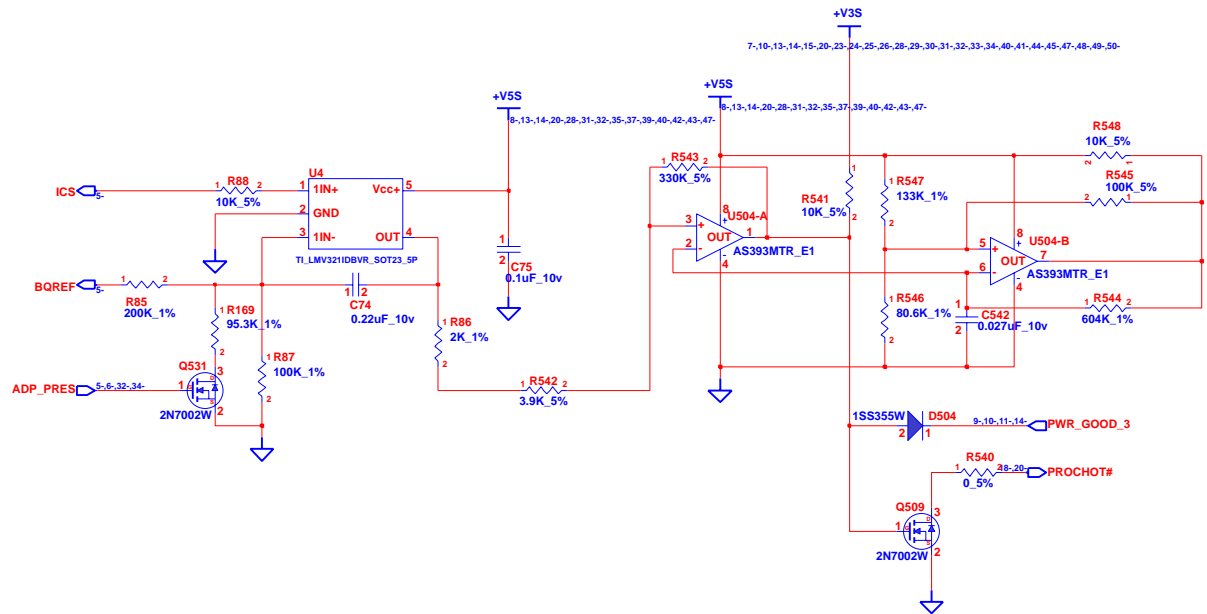


INVENTEC			
TITLE Volna 09 AMD-UMA SELECT & BATTERY CONN			
SIZE A3	CODE CS	DOC. NUMBER I310A22587-0	REV AXI
CHANGE by <i>Jimmy song</i>		26-Dec-2008	
SHEET 6		OF 53	

	1	2	3	4	5	6	7	8	
A									
B									
C									
D									
E									
F									
	1	2	3	4	5	6	7	8	



INVENTEC			
TITLE Volna 09 AMD-UMA			
+V5A,+V3A&+V2.5S			
SIZE A3	CODE CS	DOC. NUMBER 1310A22587-0	REV AXI
CHANGE by <i>Jimmy song</i>		26-Dec-2008	
SHEET 7		OF 53	



INVENTEC

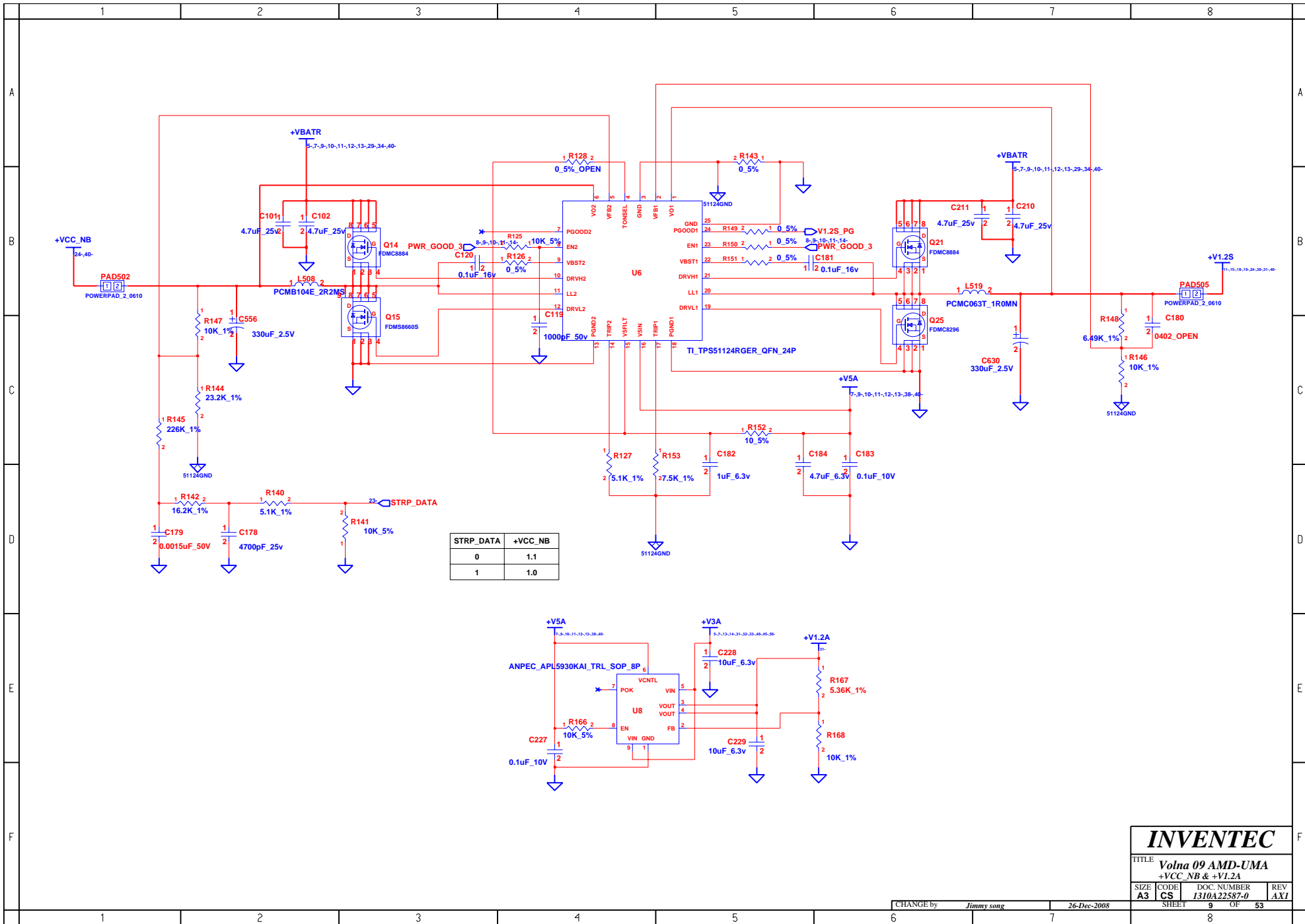
TITLE
Volna 09 AMD-UMA
OCP

SIZE A3	CODE CS	DOC. NUMBER 1310A22587-0	REV AX1
-------------------	-------------------	------------------------------------	-------------------

CHANGE by *Jimmy song* 26-Dec-2008

SHEET 8 OF 53

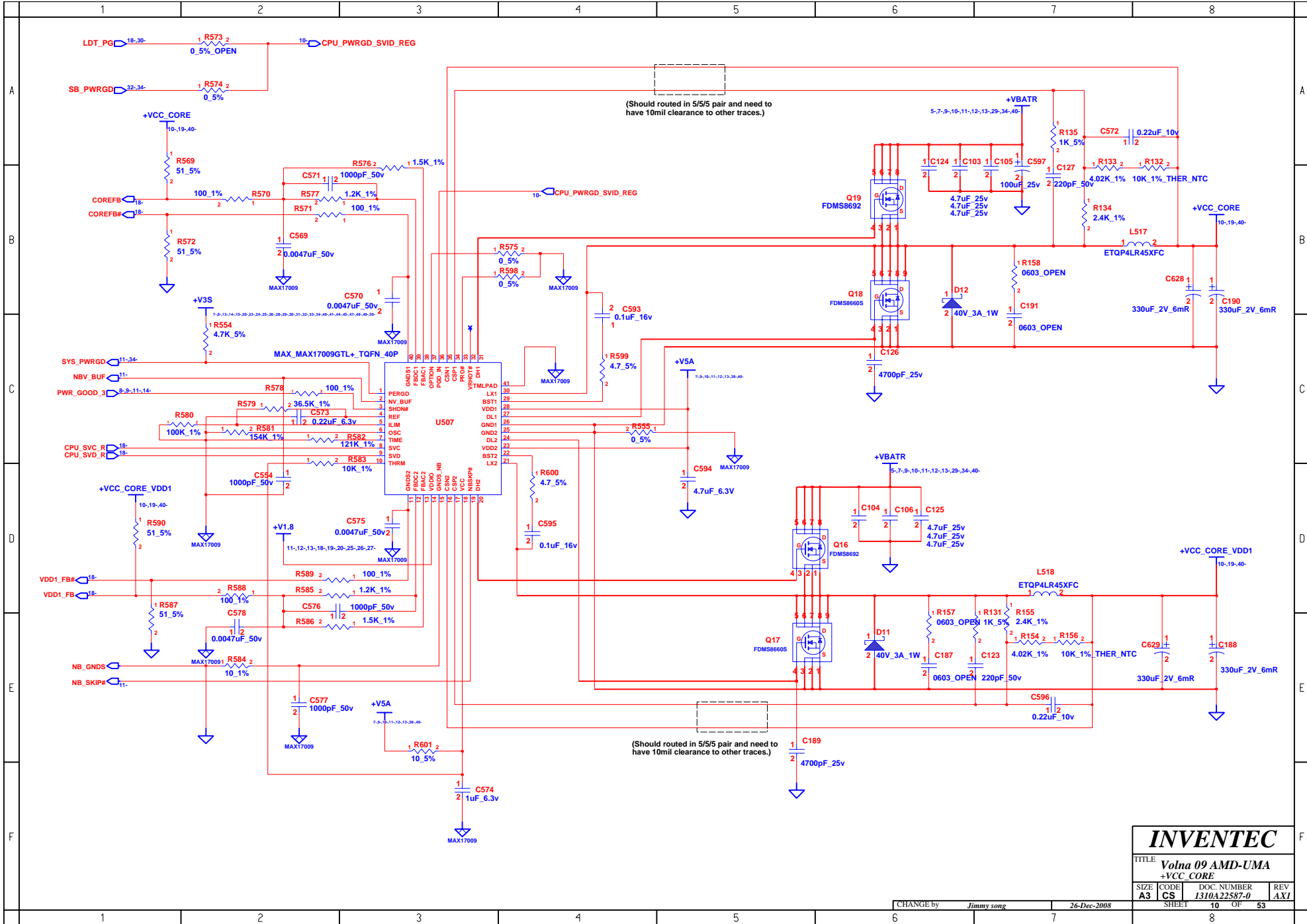
1	2	3	4	5	6	7	8	
A								A
B								B
C								C
D								D
E								E
F								F
1	2	3	4	5	6	7	8	



INVENTEC

TITLE
Volna 09 AMD-UMA
 +VCC_NB & +V1.2A

SIZE A3	CODE CS	DOC NUMBER 1310A22587-0	REV AX1
-------------------	-------------------	-----------------------------------	-------------------



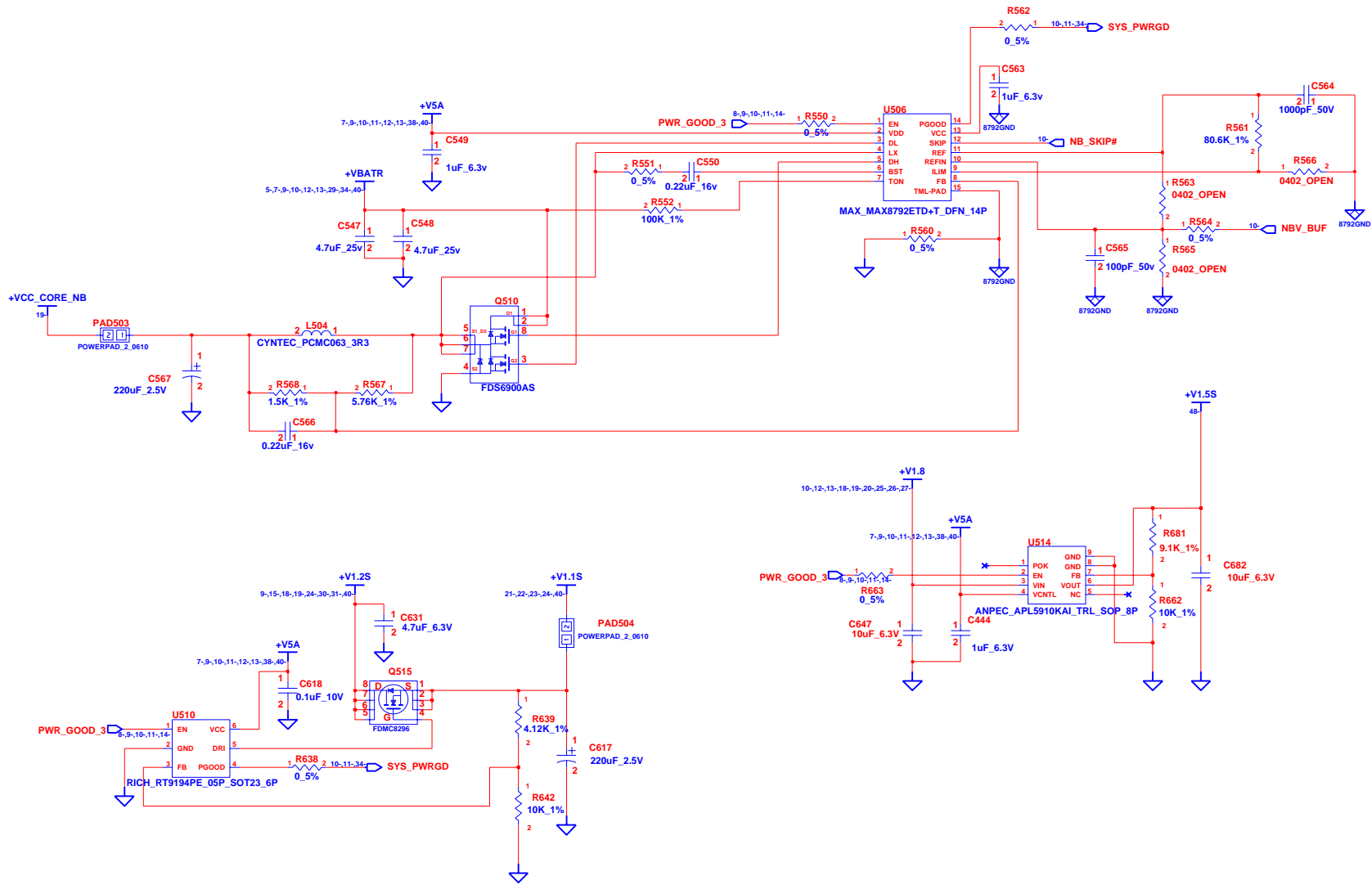
INVENTEC

TITLE
Volna 09 AMD-UMA
+VCC_CORE

SIZE	CODE	DOC. NUMBER	REV
A3	CS	1310A22587-0	AX1

CHANGE by *Jimmy song* 26-Dec-2008

SHEET 10 OF 53

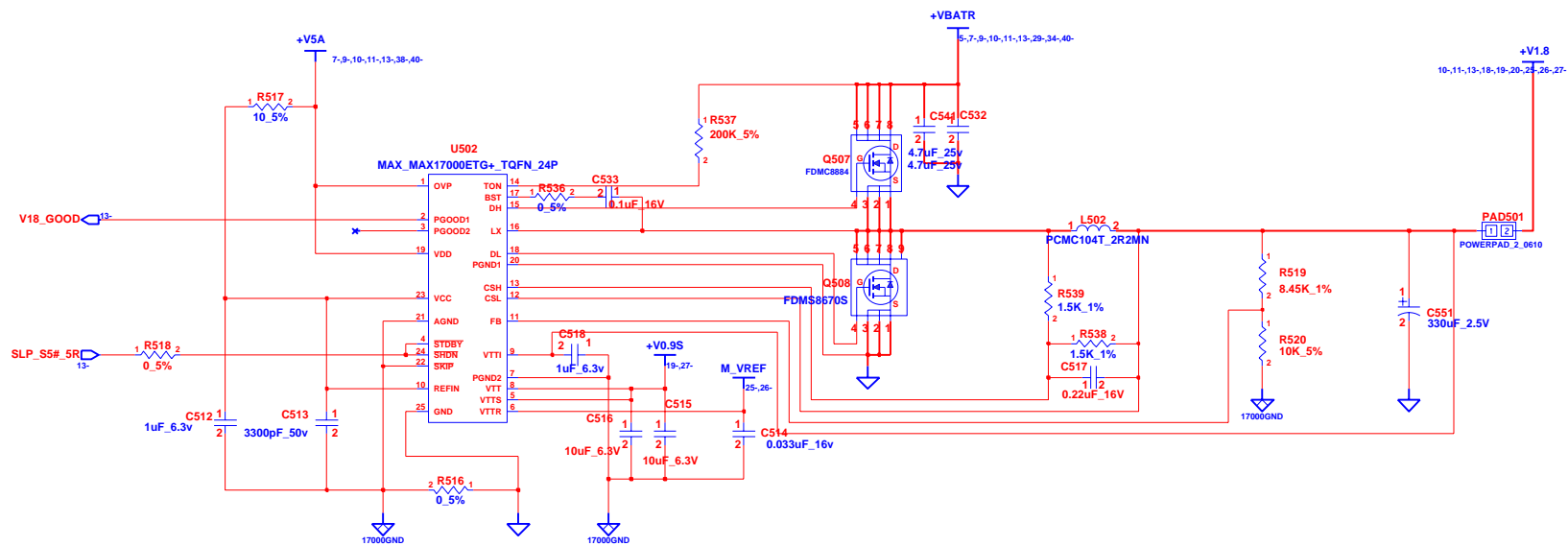


INVENTEC
 TITLE
Volna 09 AMD-UMA
POWER

SIZE	CODE	DOC. NUMBER	REV
A3	CS	1310A22587-0	AX1

CHANGE by Jimmy song 26-Dec-2008

SHEET 11 OF 53



NOTE: DDR2 REGULATOR

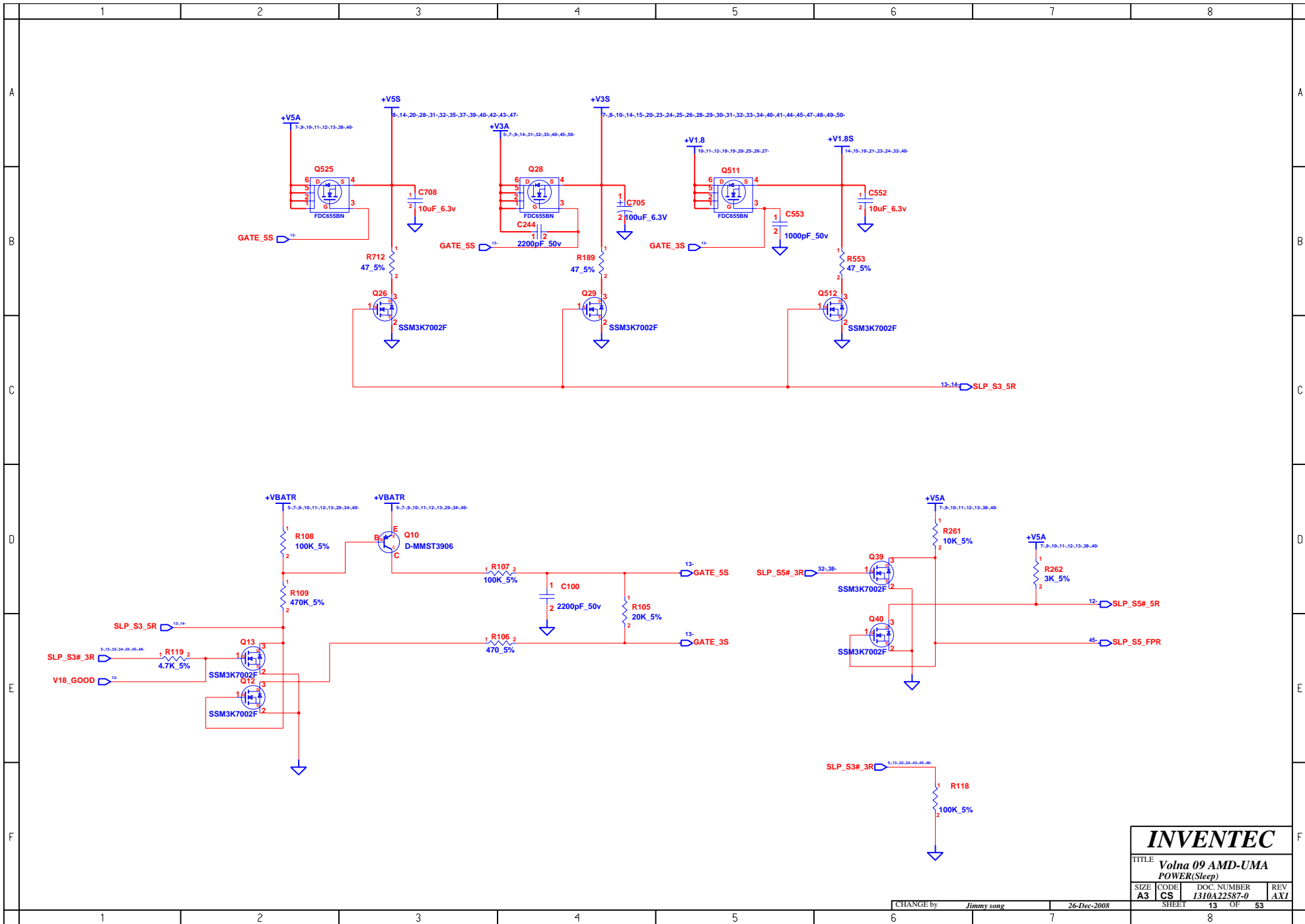
INVENTEC

TITLE
Volna 09 AMD-UMA
DDR2 POWER

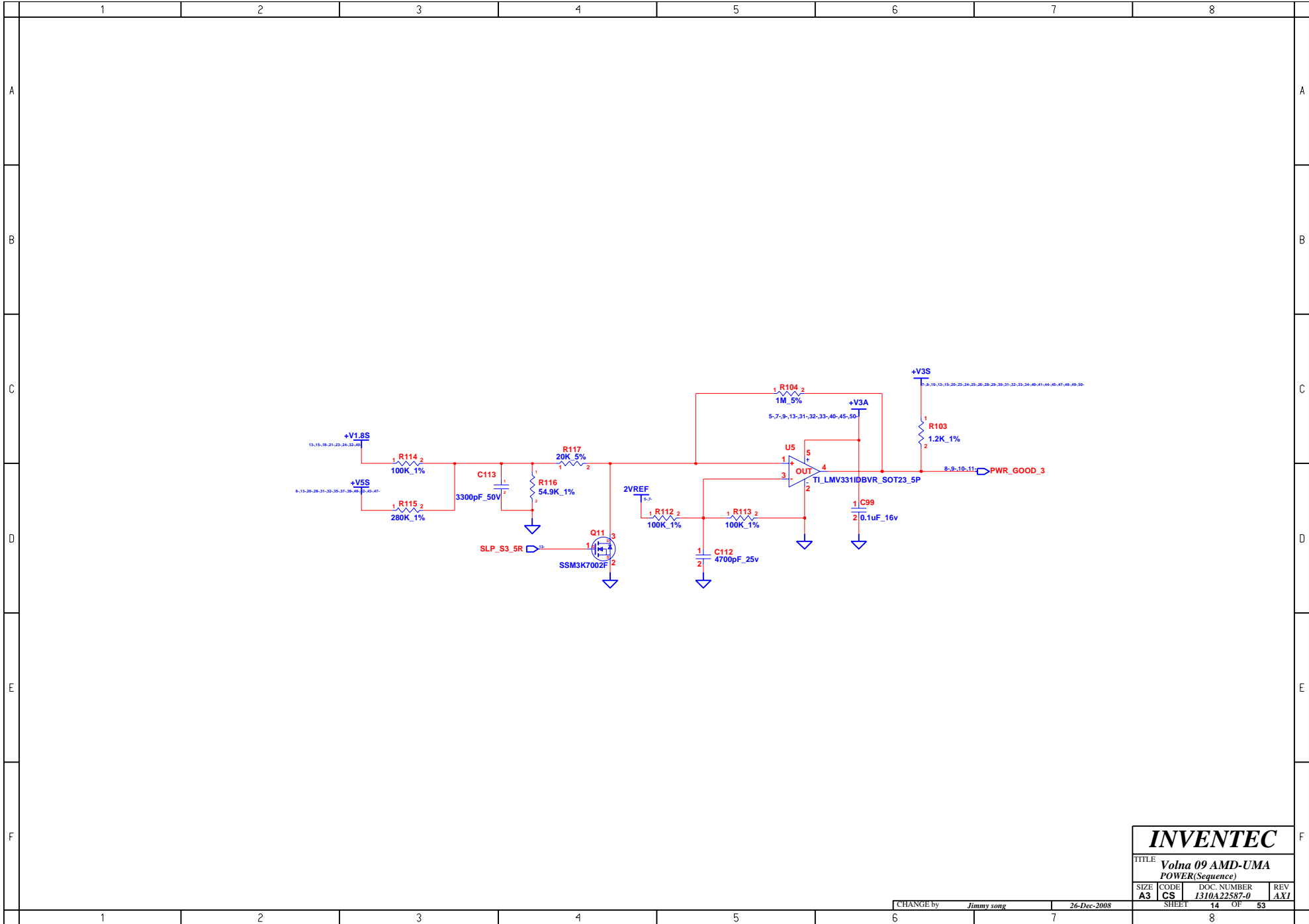
SIZE A3	CODE CS	DOC. NUMBER I310A22587-0	REV AX1
------------	------------	-----------------------------	------------

CHANGE by Jimmy song 26-Dec-2008

SHEET 12 OF 53



INVENTEC			
TITLE Volna 09 AMD-UMA POWER(Sleep)			
SIZE A3	CODE CS	DOC. NUMBER I310A22587-0	REV AXI
CHANGE by <i>Jimmy song</i>		DATE 26-Dec-2008	SHEET 13 OF 53



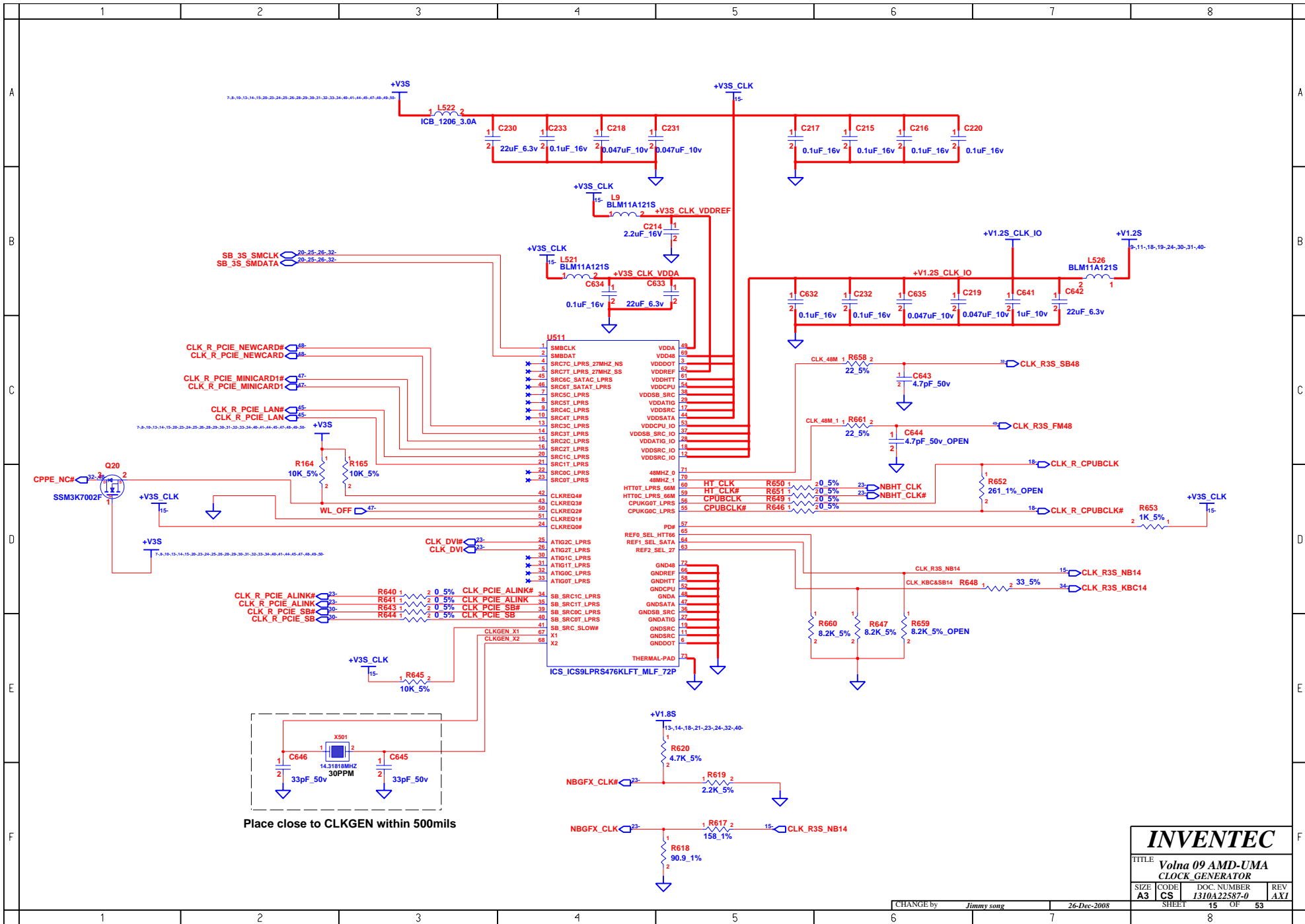
INVENTEC

TITLE **Volna 09 AMD-UMA
POWER(Sequence)**

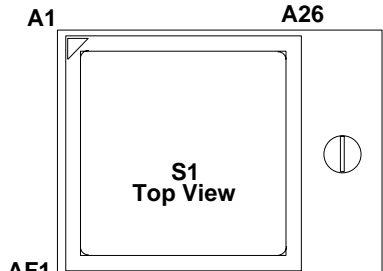
SIZE	CODE	DOC. NUMBER	REV
A3	CS	1310A22587-0	AX1

CHANGE by Jimmy song 26-Dec-2008

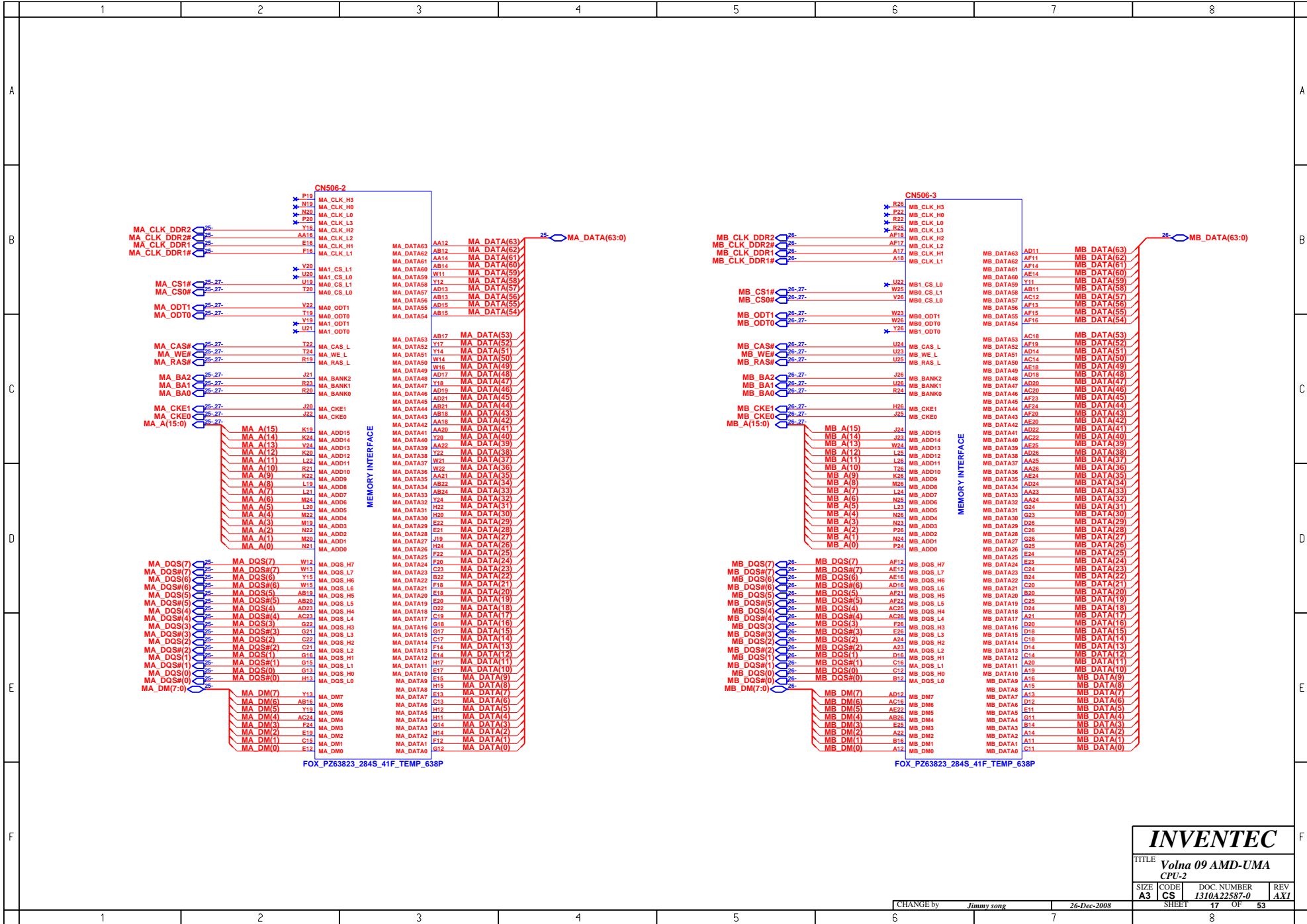
SHEET 14 OF 53



INVENTEC			
TITLE Volna 09 AMD-UMA CLOCK GENERATOR			
SIZE A3	CODE CS	DOC. NUMBER I310A22587-0	REV AX1
CHANGE by Jimmy song		26-Dec-2008	
SHEET 15		OF 53	

	1	2	3	4	5	6	7	8													
A	<p style="text-align: center;">CN506-1</p> <table border="0" style="width: 100%; border-collapse: collapse;"> <tr> <td style="width: 25%; vertical-align: top;"> L0_CLKIN1 21- L0_CLKIN1# 21- L0_CLKIN0 21- L0_CLKIN0# 21- L0_CTLIN1 21- L0_CTLIN1# 21- L0_CTLIN0 21- L0_CTLIN0# 21- L0_CADIN15 21- L0_CADIN15# 21- L0_CADIN14 21- L0_CADIN14# 21- L0_CADIN13 21- L0_CADIN13# 21- L0_CADIN12 21- L0_CADIN12# 21- L0_CADIN11 21- L0_CADIN11# 21- L0_CADIN10 21- L0_CADIN10# 21- L0_CADIN9 21- L0_CADIN9# 21- L0_CADIN8 21- L0_CADIN8# 21- L0_CADIN7 21- L0_CADIN7# 21- L0_CADIN6 21- L0_CADIN6# 21- L0_CADIN5 21- L0_CADIN5# 21- L0_CADIN4 21- L0_CADIN4# 21- L0_CADIN3 21- L0_CADIN3# 21- L0_CADIN2 21- L0_CADIN2# 21- L0_CADIN1 21- L0_CADIN1# 21- L0_CADIN0 21- L0_CADIN0# 21- </td> <td style="width: 25%; vertical-align: top;"> J5 L0.CLKN_H1 K5 L0.CLKN_L1 J3 L0.CLKN_H0 J2 L0.CLKN_L0 P3 L0.CTLIN_H1 P4 L0.CTLIN_L1 N1 L0.CTLIN_H0 P1 L0.CTLIN_L0 N5 L0.CADIN_H15 P5 L0.CADIN_L15 M3 L0.CADIN_H14 M4 L0.CADIN_L14 L6 L0.CADIN_H13 M5 L0.CADIN_L13 K3 L0.CADIN_H12 K4 L0.CADIN_L12 H3 L0.CADIN_H11 H4 L0.CADIN_L11 G5 L0.CADIN_H10 H5 L0.CADIN_L10 F3 L0.CADIN_H9 F4 L0.CADIN_L9 E5 L0.CADIN_H8 F5 L0.CADIN_L8 N3 L0.CADIN_H7 N2 L0.CADIN_L7 L1 L0.CADIN_H6 M1 L0.CADIN_L6 L3 L0.CADIN_H5 L2 L0.CADIN_L5 J1 L0.CADIN_H4 K1 L0.CADIN_L4 G1 L0.CADIN_H3 H1 L0.CADIN_L3 G3 L0.CADIN_H2 G2 L0.CADIN_L2 E1 L0.CADIN_H1 F1 L0.CADIN_L1 E3 L0.CADIN_H0 E2 L0.CADIN_L0 </td> <td style="width: 25%; vertical-align: top;"> Y4 L0.CLKOUT_H1 Y5 L0.CLKOUT_L1 Y1 L0.CLKOUT_H0 W1 L0.CLKOUT_L0 T5 L0.CTLOUT_H1 R5 L0.CTLOUT_L1 R2 L0.CTLOUT_H0 R3 L0.CTLOUT_L0 T4 L0.CADOUT_H15 T3 L0.CADOUT_L15 V5 L0.CADOUT_H14 V4 L0.CADOUT_L14 V3 L0.CADOUT_H13 V2 L0.CADOUT_L13 Y5 L0.CADOUT_H12 W5 L0.CADOUT_L12 AB5 L0.CADOUT_H11 AA5 L0.CADOUT_L11 AB4 L0.CADOUT_H10 AB3 L0.CADOUT_L10 AB5 L0.CADOUT_H9 AC5 L0.CADOUT_L9 AD4 L0.CADOUT_H8 AD3 L0.CADOUT_L8 T1 L0.CADOUT_H7 R1 L0.CADOUT_L7 U2 L0.CADOUT_H6 U3 L0.CADOUT_L6 V1 L0.CADOUT_H5 U1 L0.CADOUT_L5 W2 L0.CADOUT_H4 W3 L0.CADOUT_L4 AA2 L0.CADOUT_H3 AA3 L0.CADOUT_L3 AB1 L0.CADOUT_H2 AA1 L0.CADOUT_L2 AC2 L0.CADOUT_H1 AC3 L0.CADOUT_L1 AD1 L0.CADOUT_H0 AC1 L0.CADOUT_L0 </td> <td style="width: 25%; vertical-align: top;"> 21- L0_CLKOUT1 21- L0_CLKOUT1# 21- L0_CLKOUT0 21- L0_CLKOUT0# 21- L0_CTLOUT1 21- L0_CTLOUT1# 21- L0_CTLOUT0 21- L0_CTLOUT0# 21- L0_CADOUT15 21- L0_CADOUT15# 21- L0_CADOUT14 21- L0_CADOUT14# 21- L0_CADOUT13 21- L0_CADOUT13# 21- L0_CADOUT12 21- L0_CADOUT12# 21- L0_CADOUT11 21- L0_CADOUT11# 21- L0_CADOUT10 21- L0_CADOUT10# 21- L0_CADOUT9 21- L0_CADOUT9# 21- L0_CADOUT8 21- L0_CADOUT8# 21- L0_CADOUT7 21- L0_CADOUT7# 21- L0_CADOUT6 21- L0_CADOUT6# 21- L0_CADOUT5 21- L0_CADOUT5# 21- L0_CADOUT4 21- L0_CADOUT4# 21- L0_CADOUT3 21- L0_CADOUT3# 21- L0_CADOUT2 21- L0_CADOUT2# 21- L0_CADOUT1 21- L0_CADOUT1# 21- L0_CADOUT0 21- L0_CADOUT0# </td> </tr> <tr> <td colspan="4" style="text-align: center; color: blue;">HYPERTRANSPORT</td> </tr> <tr> <td colspan="4" style="text-align: center; color: blue;">FOX_PZ63823_284S_41F_TEMP_638P</td> </tr> </table>									L0_CLKIN1 21- L0_CLKIN1# 21- L0_CLKIN0 21- L0_CLKIN0# 21- L0_CTLIN1 21- L0_CTLIN1# 21- L0_CTLIN0 21- L0_CTLIN0# 21- L0_CADIN15 21- L0_CADIN15# 21- L0_CADIN14 21- L0_CADIN14# 21- L0_CADIN13 21- L0_CADIN13# 21- L0_CADIN12 21- L0_CADIN12# 21- L0_CADIN11 21- L0_CADIN11# 21- L0_CADIN10 21- L0_CADIN10# 21- L0_CADIN9 21- L0_CADIN9# 21- L0_CADIN8 21- L0_CADIN8# 21- L0_CADIN7 21- L0_CADIN7# 21- L0_CADIN6 21- L0_CADIN6# 21- L0_CADIN5 21- L0_CADIN5# 21- L0_CADIN4 21- L0_CADIN4# 21- L0_CADIN3 21- L0_CADIN3# 21- L0_CADIN2 21- L0_CADIN2# 21- L0_CADIN1 21- L0_CADIN1# 21- L0_CADIN0 21- L0_CADIN0# 21-	J5 L0.CLKN_H1 K5 L0.CLKN_L1 J3 L0.CLKN_H0 J2 L0.CLKN_L0 P3 L0.CTLIN_H1 P4 L0.CTLIN_L1 N1 L0.CTLIN_H0 P1 L0.CTLIN_L0 N5 L0.CADIN_H15 P5 L0.CADIN_L15 M3 L0.CADIN_H14 M4 L0.CADIN_L14 L6 L0.CADIN_H13 M5 L0.CADIN_L13 K3 L0.CADIN_H12 K4 L0.CADIN_L12 H3 L0.CADIN_H11 H4 L0.CADIN_L11 G5 L0.CADIN_H10 H5 L0.CADIN_L10 F3 L0.CADIN_H9 F4 L0.CADIN_L9 E5 L0.CADIN_H8 F5 L0.CADIN_L8 N3 L0.CADIN_H7 N2 L0.CADIN_L7 L1 L0.CADIN_H6 M1 L0.CADIN_L6 L3 L0.CADIN_H5 L2 L0.CADIN_L5 J1 L0.CADIN_H4 K1 L0.CADIN_L4 G1 L0.CADIN_H3 H1 L0.CADIN_L3 G3 L0.CADIN_H2 G2 L0.CADIN_L2 E1 L0.CADIN_H1 F1 L0.CADIN_L1 E3 L0.CADIN_H0 E2 L0.CADIN_L0	Y4 L0.CLKOUT_H1 Y5 L0.CLKOUT_L1 Y1 L0.CLKOUT_H0 W1 L0.CLKOUT_L0 T5 L0.CTLOUT_H1 R5 L0.CTLOUT_L1 R2 L0.CTLOUT_H0 R3 L0.CTLOUT_L0 T4 L0.CADOUT_H15 T3 L0.CADOUT_L15 V5 L0.CADOUT_H14 V4 L0.CADOUT_L14 V3 L0.CADOUT_H13 V2 L0.CADOUT_L13 Y5 L0.CADOUT_H12 W5 L0.CADOUT_L12 AB5 L0.CADOUT_H11 AA5 L0.CADOUT_L11 AB4 L0.CADOUT_H10 AB3 L0.CADOUT_L10 AB5 L0.CADOUT_H9 AC5 L0.CADOUT_L9 AD4 L0.CADOUT_H8 AD3 L0.CADOUT_L8 T1 L0.CADOUT_H7 R1 L0.CADOUT_L7 U2 L0.CADOUT_H6 U3 L0.CADOUT_L6 V1 L0.CADOUT_H5 U1 L0.CADOUT_L5 W2 L0.CADOUT_H4 W3 L0.CADOUT_L4 AA2 L0.CADOUT_H3 AA3 L0.CADOUT_L3 AB1 L0.CADOUT_H2 AA1 L0.CADOUT_L2 AC2 L0.CADOUT_H1 AC3 L0.CADOUT_L1 AD1 L0.CADOUT_H0 AC1 L0.CADOUT_L0	21- L0_CLKOUT1 21- L0_CLKOUT1# 21- L0_CLKOUT0 21- L0_CLKOUT0# 21- L0_CTLOUT1 21- L0_CTLOUT1# 21- L0_CTLOUT0 21- L0_CTLOUT0# 21- L0_CADOUT15 21- L0_CADOUT15# 21- L0_CADOUT14 21- L0_CADOUT14# 21- L0_CADOUT13 21- L0_CADOUT13# 21- L0_CADOUT12 21- L0_CADOUT12# 21- L0_CADOUT11 21- L0_CADOUT11# 21- L0_CADOUT10 21- L0_CADOUT10# 21- L0_CADOUT9 21- L0_CADOUT9# 21- L0_CADOUT8 21- L0_CADOUT8# 21- L0_CADOUT7 21- L0_CADOUT7# 21- L0_CADOUT6 21- L0_CADOUT6# 21- L0_CADOUT5 21- L0_CADOUT5# 21- L0_CADOUT4 21- L0_CADOUT4# 21- L0_CADOUT3 21- L0_CADOUT3# 21- L0_CADOUT2 21- L0_CADOUT2# 21- L0_CADOUT1 21- L0_CADOUT1# 21- L0_CADOUT0 21- L0_CADOUT0#	HYPERTRANSPORT				FOX_PZ63823_284S_41F_TEMP_638P			
L0_CLKIN1 21- L0_CLKIN1# 21- L0_CLKIN0 21- L0_CLKIN0# 21- L0_CTLIN1 21- L0_CTLIN1# 21- L0_CTLIN0 21- L0_CTLIN0# 21- L0_CADIN15 21- L0_CADIN15# 21- L0_CADIN14 21- L0_CADIN14# 21- L0_CADIN13 21- L0_CADIN13# 21- L0_CADIN12 21- L0_CADIN12# 21- L0_CADIN11 21- L0_CADIN11# 21- L0_CADIN10 21- L0_CADIN10# 21- L0_CADIN9 21- L0_CADIN9# 21- L0_CADIN8 21- L0_CADIN8# 21- L0_CADIN7 21- L0_CADIN7# 21- L0_CADIN6 21- L0_CADIN6# 21- L0_CADIN5 21- L0_CADIN5# 21- L0_CADIN4 21- L0_CADIN4# 21- L0_CADIN3 21- L0_CADIN3# 21- L0_CADIN2 21- L0_CADIN2# 21- L0_CADIN1 21- L0_CADIN1# 21- L0_CADIN0 21- L0_CADIN0# 21-										J5 L0.CLKN_H1 K5 L0.CLKN_L1 J3 L0.CLKN_H0 J2 L0.CLKN_L0 P3 L0.CTLIN_H1 P4 L0.CTLIN_L1 N1 L0.CTLIN_H0 P1 L0.CTLIN_L0 N5 L0.CADIN_H15 P5 L0.CADIN_L15 M3 L0.CADIN_H14 M4 L0.CADIN_L14 L6 L0.CADIN_H13 M5 L0.CADIN_L13 K3 L0.CADIN_H12 K4 L0.CADIN_L12 H3 L0.CADIN_H11 H4 L0.CADIN_L11 G5 L0.CADIN_H10 H5 L0.CADIN_L10 F3 L0.CADIN_H9 F4 L0.CADIN_L9 E5 L0.CADIN_H8 F5 L0.CADIN_L8 N3 L0.CADIN_H7 N2 L0.CADIN_L7 L1 L0.CADIN_H6 M1 L0.CADIN_L6 L3 L0.CADIN_H5 L2 L0.CADIN_L5 J1 L0.CADIN_H4 K1 L0.CADIN_L4 G1 L0.CADIN_H3 H1 L0.CADIN_L3 G3 L0.CADIN_H2 G2 L0.CADIN_L2 E1 L0.CADIN_H1 F1 L0.CADIN_L1 E3 L0.CADIN_H0 E2 L0.CADIN_L0	Y4 L0.CLKOUT_H1 Y5 L0.CLKOUT_L1 Y1 L0.CLKOUT_H0 W1 L0.CLKOUT_L0 T5 L0.CTLOUT_H1 R5 L0.CTLOUT_L1 R2 L0.CTLOUT_H0 R3 L0.CTLOUT_L0 T4 L0.CADOUT_H15 T3 L0.CADOUT_L15 V5 L0.CADOUT_H14 V4 L0.CADOUT_L14 V3 L0.CADOUT_H13 V2 L0.CADOUT_L13 Y5 L0.CADOUT_H12 W5 L0.CADOUT_L12 AB5 L0.CADOUT_H11 AA5 L0.CADOUT_L11 AB4 L0.CADOUT_H10 AB3 L0.CADOUT_L10 AB5 L0.CADOUT_H9 AC5 L0.CADOUT_L9 AD4 L0.CADOUT_H8 AD3 L0.CADOUT_L8 T1 L0.CADOUT_H7 R1 L0.CADOUT_L7 U2 L0.CADOUT_H6 U3 L0.CADOUT_L6 V1 L0.CADOUT_H5 U1 L0.CADOUT_L5 W2 L0.CADOUT_H4 W3 L0.CADOUT_L4 AA2 L0.CADOUT_H3 AA3 L0.CADOUT_L3 AB1 L0.CADOUT_H2 AA1 L0.CADOUT_L2 AC2 L0.CADOUT_H1 AC3 L0.CADOUT_L1 AD1 L0.CADOUT_H0 AC1 L0.CADOUT_L0	21- L0_CLKOUT1 21- L0_CLKOUT1# 21- L0_CLKOUT0 21- L0_CLKOUT0# 21- L0_CTLOUT1 21- L0_CTLOUT1# 21- L0_CTLOUT0 21- L0_CTLOUT0# 21- L0_CADOUT15 21- L0_CADOUT15# 21- L0_CADOUT14 21- L0_CADOUT14# 21- L0_CADOUT13 21- L0_CADOUT13# 21- L0_CADOUT12 21- L0_CADOUT12# 21- L0_CADOUT11 21- L0_CADOUT11# 21- L0_CADOUT10 21- L0_CADOUT10# 21- L0_CADOUT9 21- L0_CADOUT9# 21- L0_CADOUT8 21- L0_CADOUT8# 21- L0_CADOUT7 21- L0_CADOUT7# 21- L0_CADOUT6 21- L0_CADOUT6# 21- L0_CADOUT5 21- L0_CADOUT5# 21- L0_CADOUT4 21- L0_CADOUT4# 21- L0_CADOUT3 21- L0_CADOUT3# 21- L0_CADOUT2 21- L0_CADOUT2# 21- L0_CADOUT1 21- L0_CADOUT1# 21- L0_CADOUT0 21- L0_CADOUT0#									
HYPERTRANSPORT																					
FOX_PZ63823_284S_41F_TEMP_638P																					
B																					
C																					
D																					
E	<p>Layout: Add stitching caps if crossing plane split.</p>																				
F																					

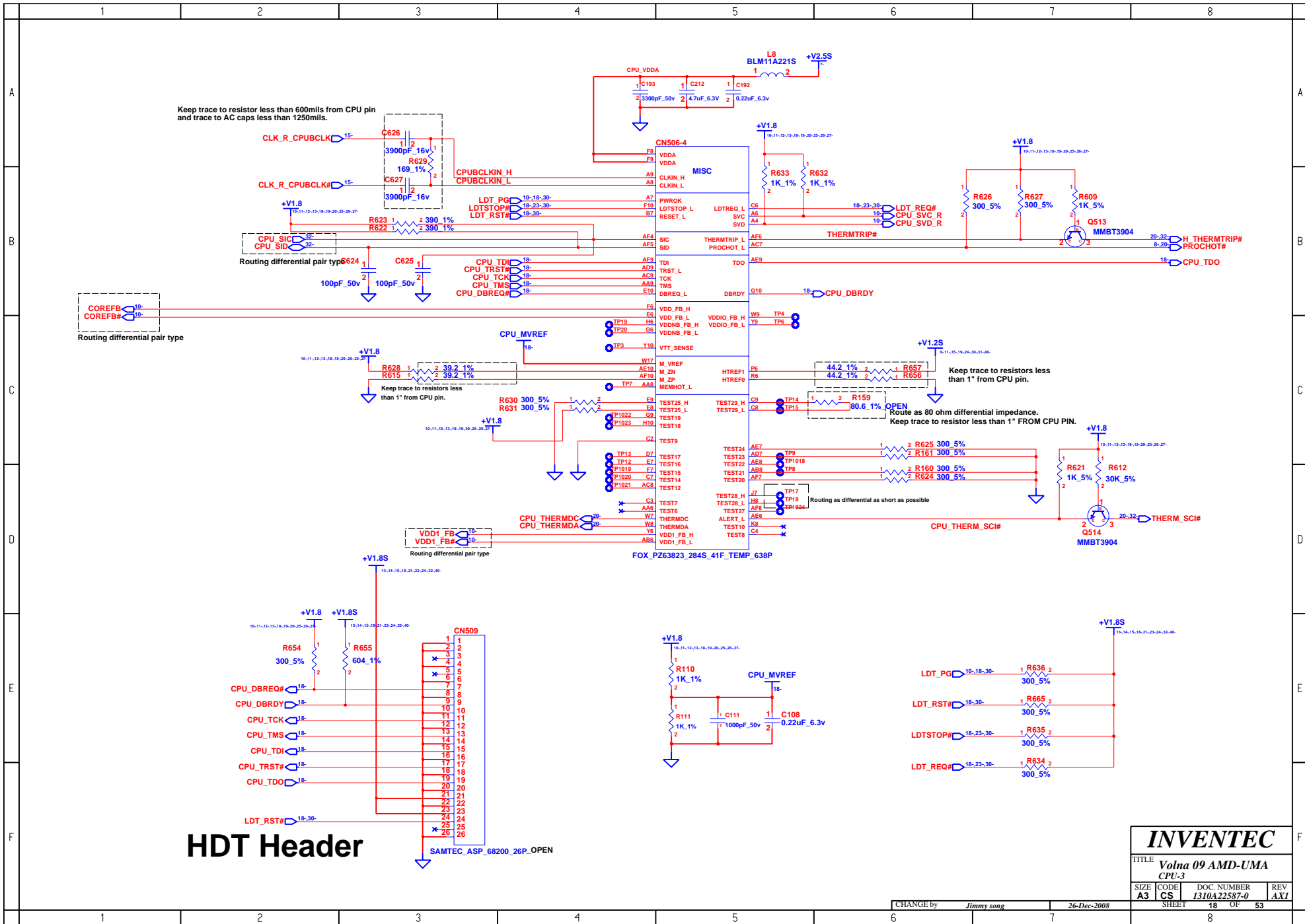
INVENTEC			
TITLE Volna 09 AMD-UMA CPU-1			
SIZE A3	CODE CS	DOC. NUMBER 1310A22587-0	REV AXI
CHANGE by <i>Jimmy song</i>		26-Dec-2008	
SHEET		16 OF 53	



FOX_PZ63823_284S_41F_TEMP_638P

FOX_PZ63823_284S_41F_TEMP_638P

INVENTEC			
TITLE Volna 09 AMD-UMA CPU-2			
SIZE A3	CODE CS	DOC. NUMBER I310A22587-0	REV AX1
CHANGE by <i>Jimmy song</i>		26-Dec-2008	
SHEET 17		OF 53	



HDT Header

SAMTEC ASP_68200_26P_OPEN

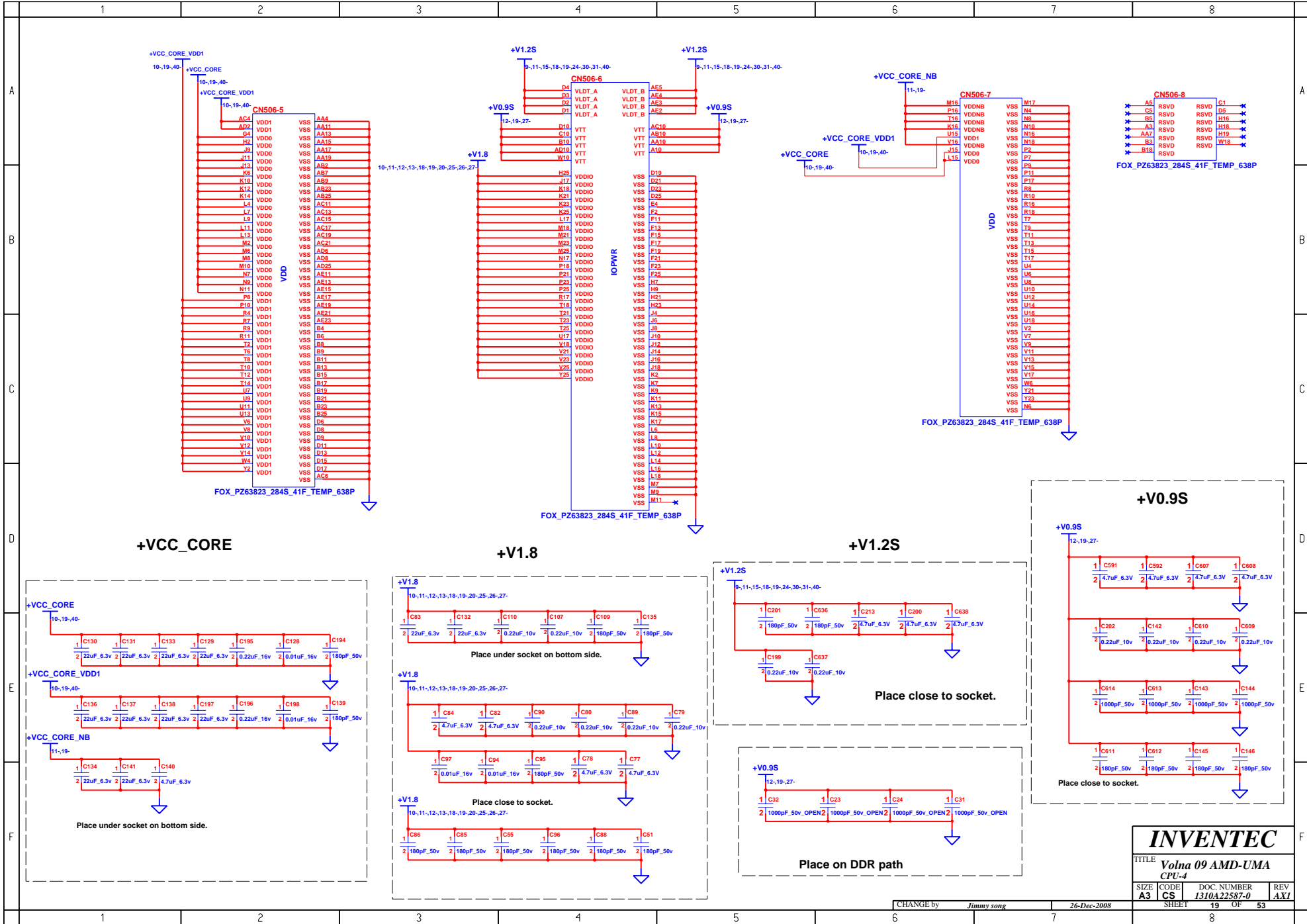
INVENTEC

TITLE
Volna 09 AMD-UMA
CPU-3

SIZE	CODE	DOC. NUMBER	REV
A3	CS	I310A22587-0	AX1

CHANGE by Jimmy song 26-Dec-2008

SHEET 18 OF 53



INVENTEC			
TITLE Volna 09 AMD-UMA			
CPU-4			
SIZE A3	CODE CS	DOC. NUMBER I310A22587-0	REV AX1
SHEET		OF	
19		53	

1 2 3 4 5 6 7 8

A

B

C

D

E

F

A

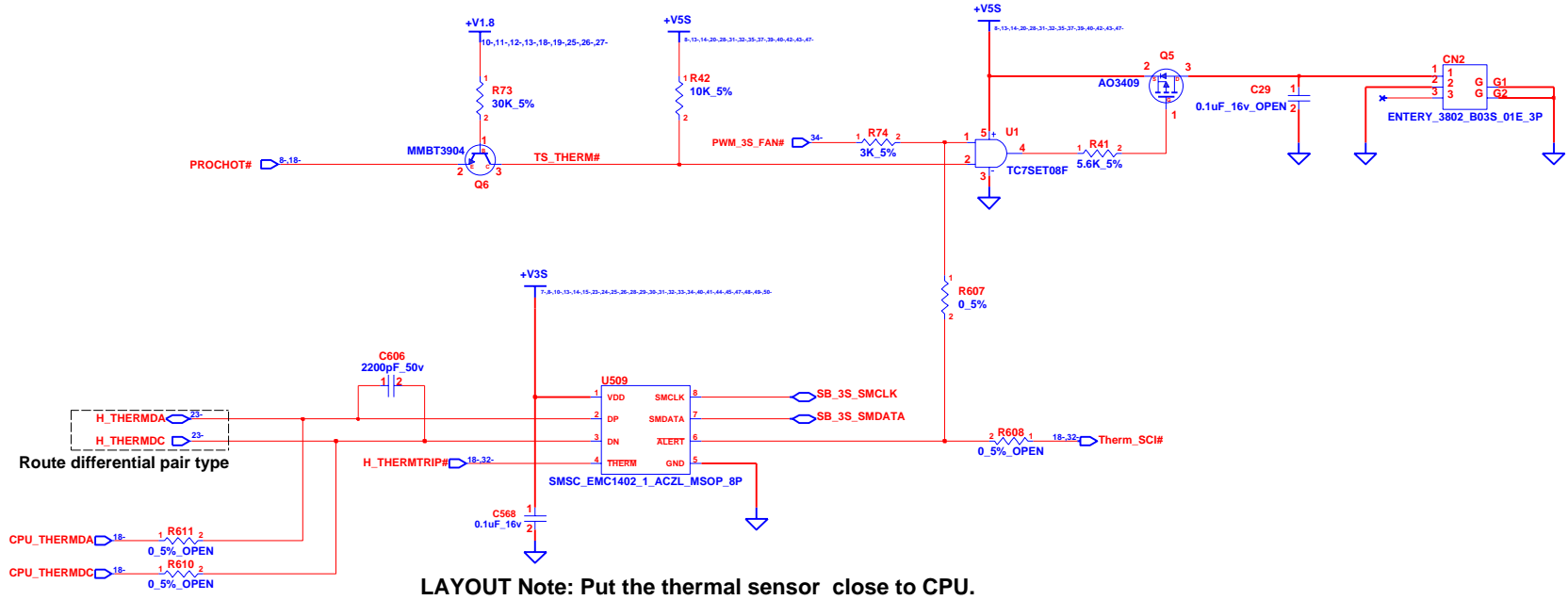
B

C

D

E

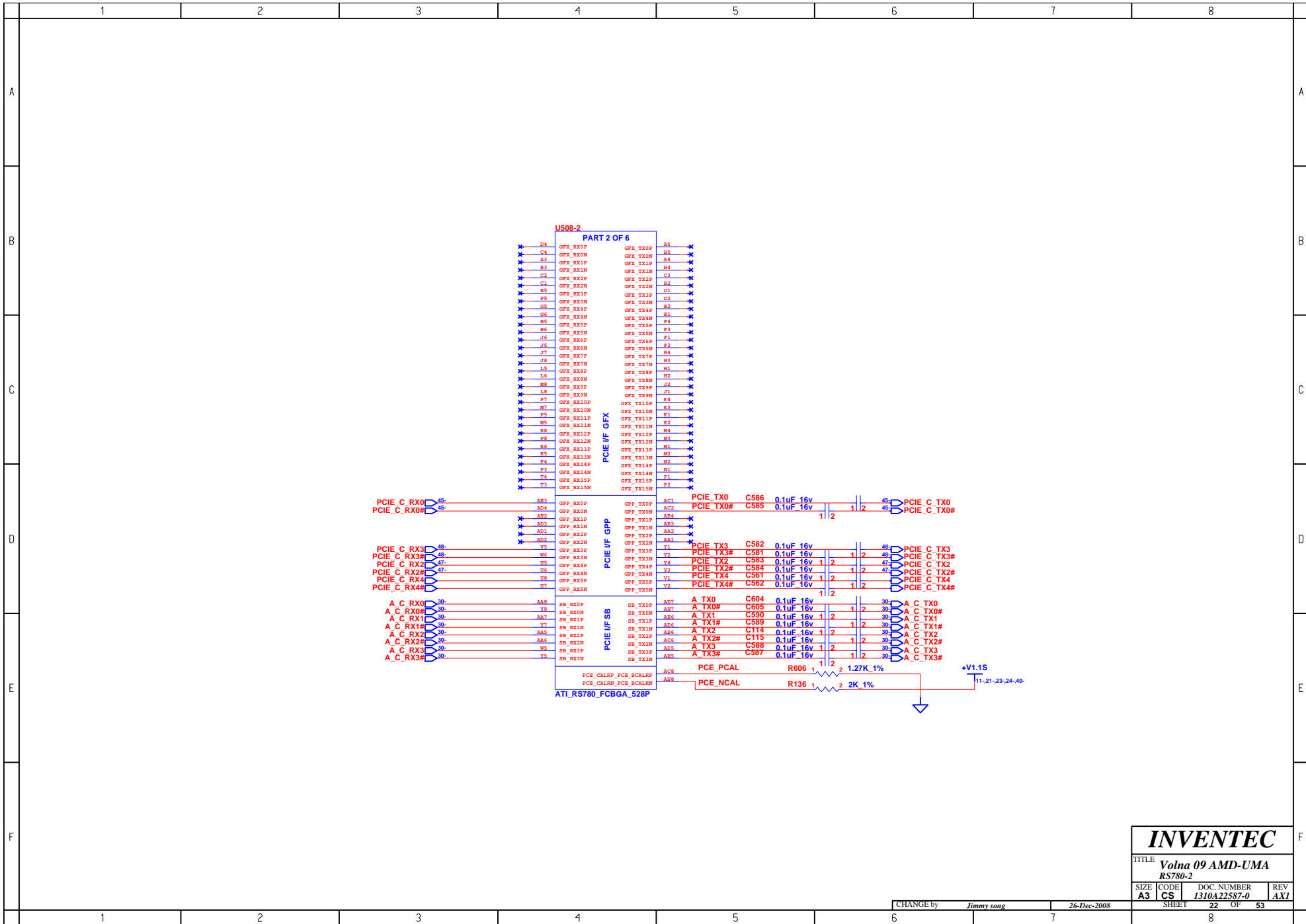
F



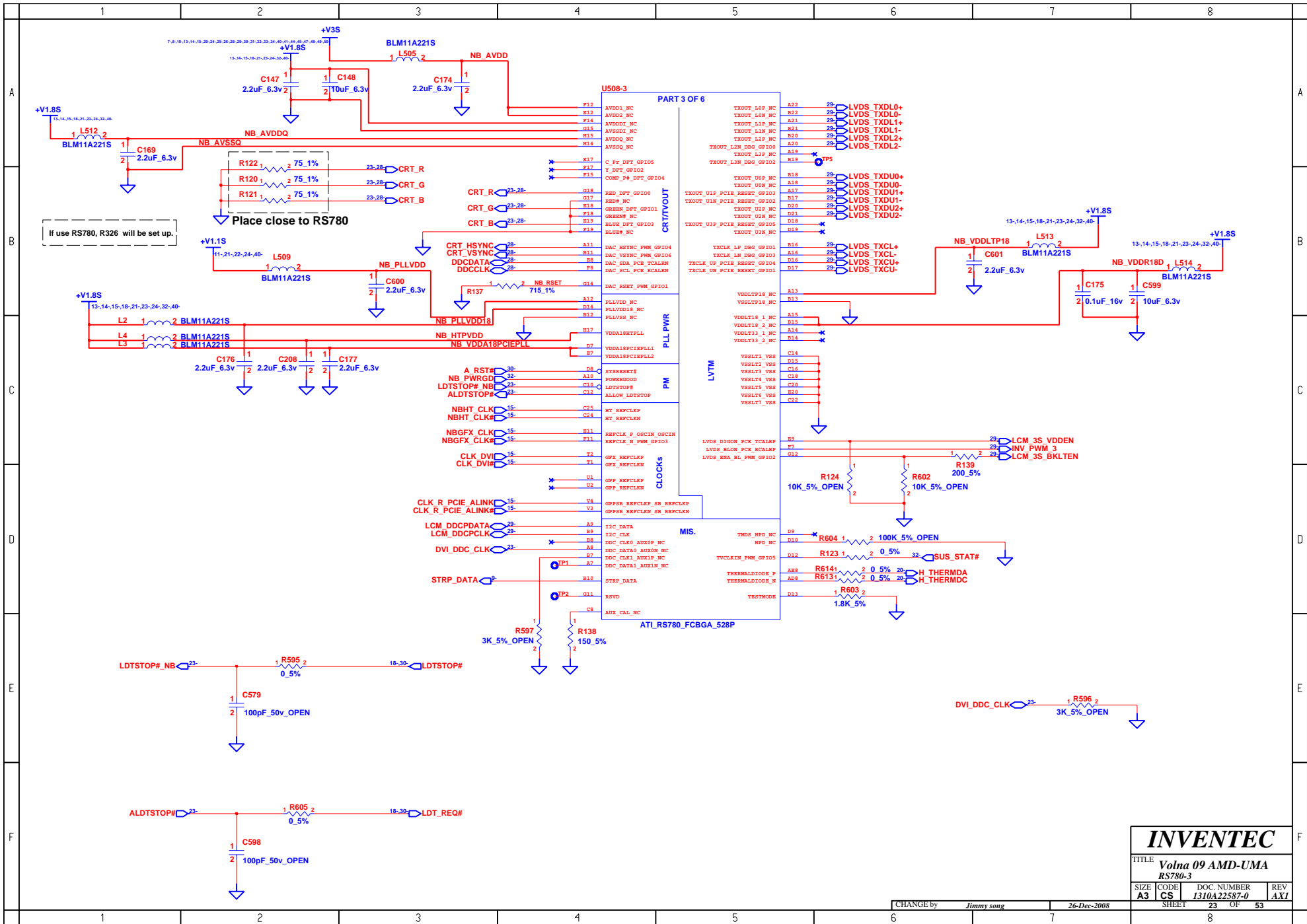
INVENTEC			
TITLE Volna 09 AMD-UMA THERMAL & FAN CONTROLLER			
SIZE A3	CODE CS	DOC. NUMBER 1310A22587-0	REV AX1

CHANGE by	<i>Jimmy song</i>	26-Dec-2008	SHEET	20	OF	53
-----------	-------------------	-------------	-------	----	----	----

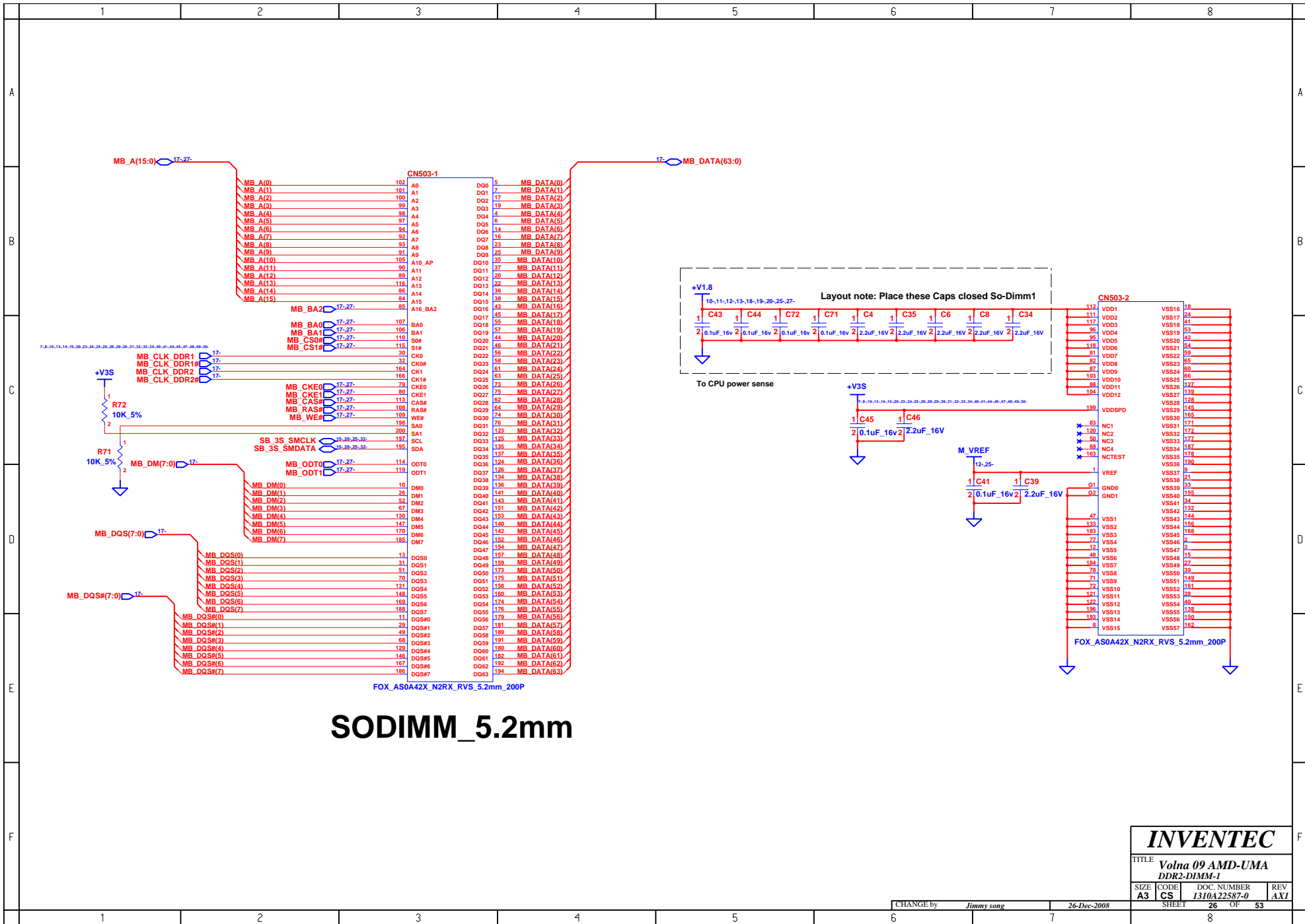
1 2 3 4 5 6 7 8



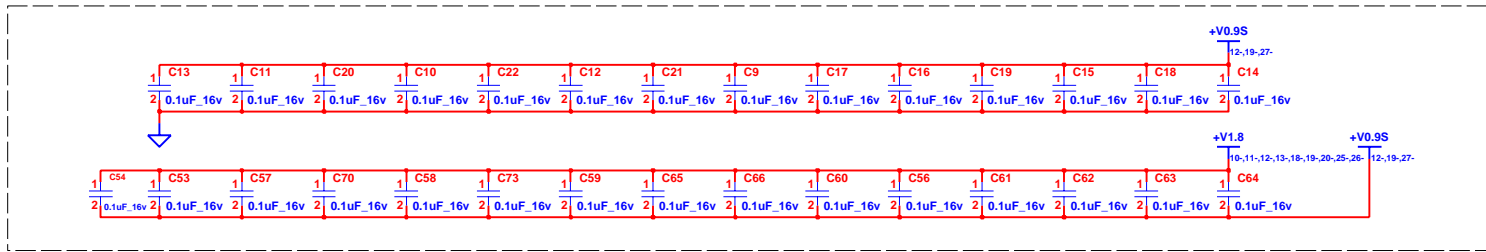
INVENTEC			
TITLE Volna 09 AMD-UMA RS780-2			
SIZE A3	CODE CS	DOC. NUMBER I310A22587-0	REV AX1
CHANGE by Jimmy song		26-Dec-2008	SHEET 22 OF 53



INVENTEC			
TITLE Volna 09 AMD-UMA			
RS780-3			
SIZE A3	CODE CS	DOC. NUMBER I310A22587-0	REV AX1
CHANGE by <i>Jimmy song</i>		26-Dec-2008	
SHEET 23		OF 53	

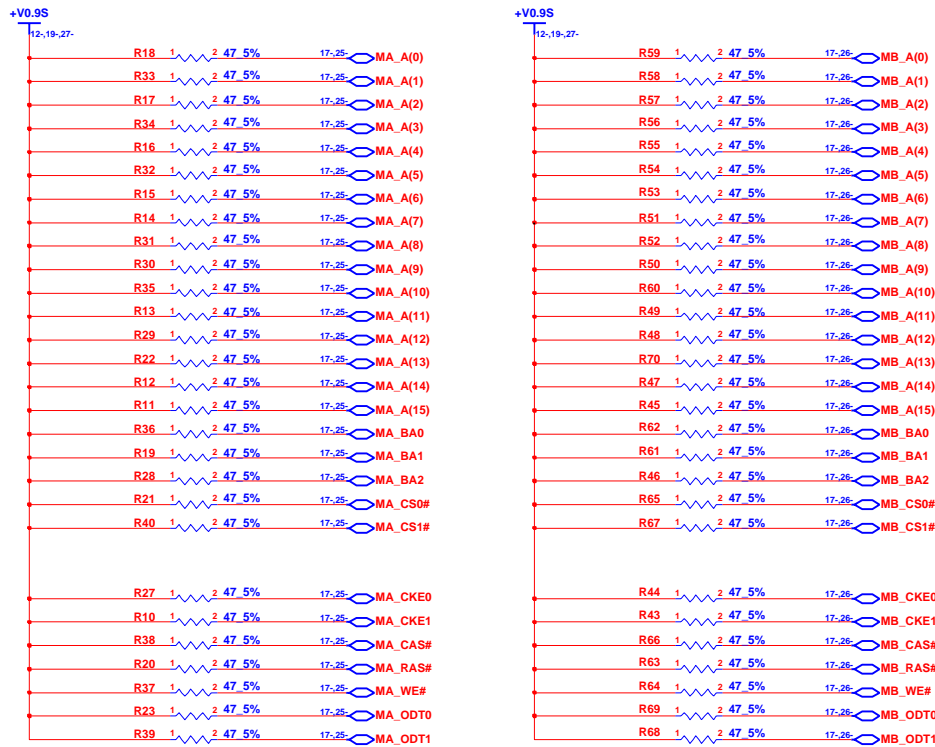


INVENTEC			
TITLE Volna 09 AMD-UMA DDR2-DIMM-1			
SIZE A3	CODE CS	DOC. NUMBER I310A22587-0	REV AX1
CHANGE by <i>Jimmy song</i>		26-Dec-2008	
SHEET 26		OF 53	



To CPU power sense

Place CAPs close to DIMM



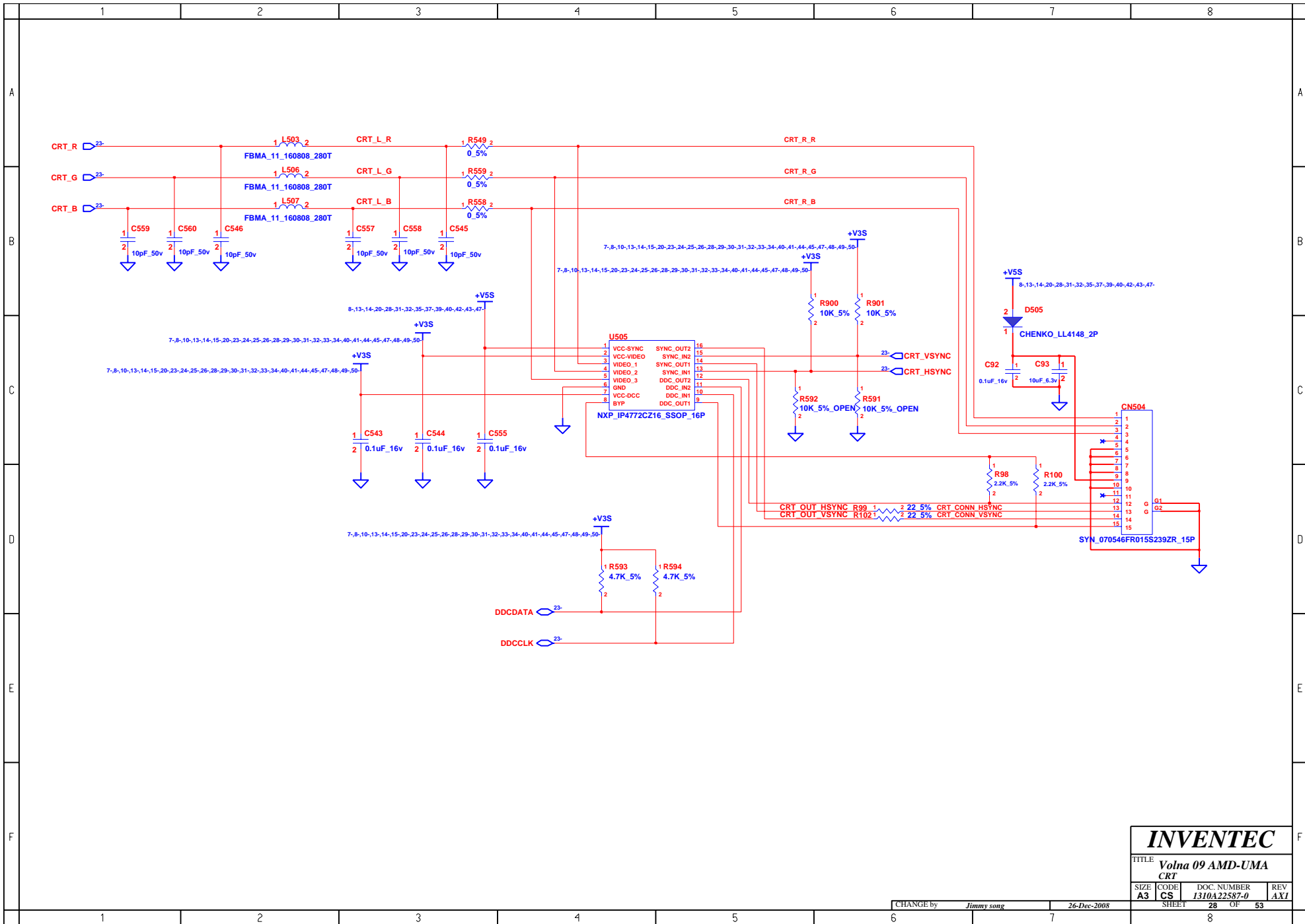
INVENTEC

TITLE
Volna 09 AMD-UMA
DDR2-DAMPING

SIZE	CODE	DOC. NUMBER	REV
A3	CS	1310A22587-0	AX1

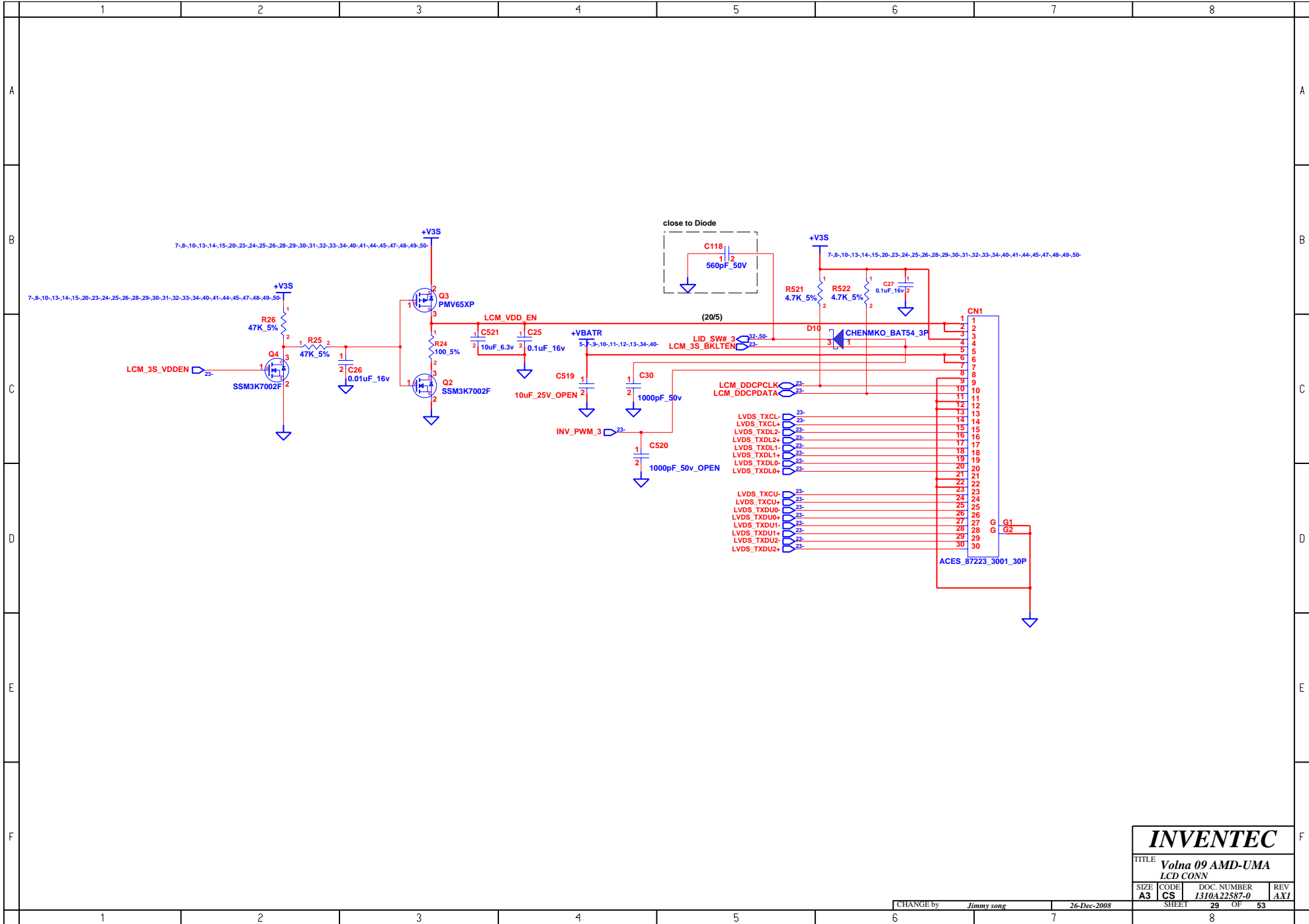
CHANGE by Jimmy song 26-Dec-2008

SHEET 27 OF 53



INVENTEC
 TITLE
Volna 09 AMD-UMA
CRT

SIZE	CODE	DOC. NUMBER	REV
A3	CS	1310A22587-0	AXI



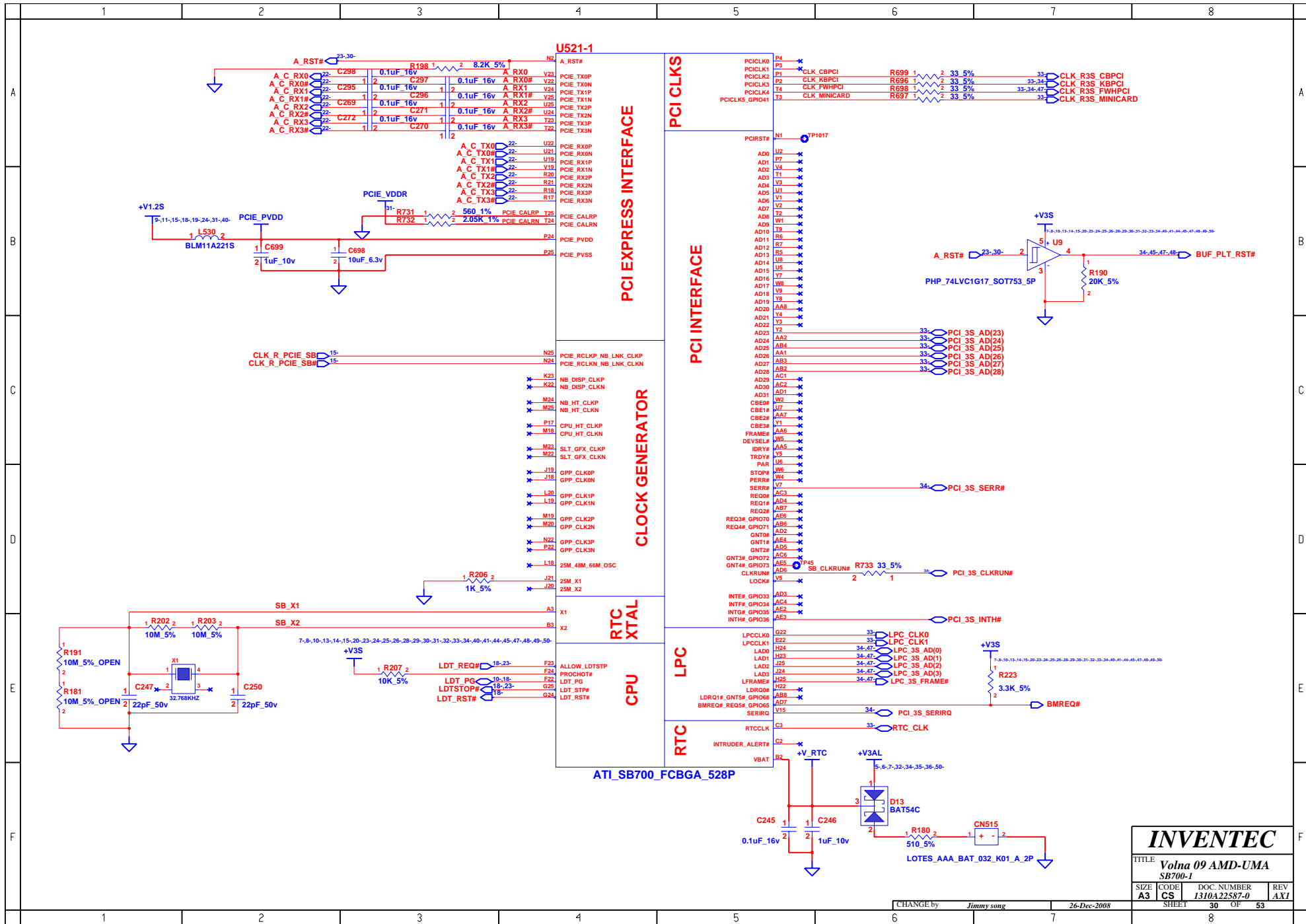
INVENTEC

TITLE
Volna 09 AMD-UMA
 LCD CONN

SIZE A3	CODE CS	DOC. NUMBER 1310A22587-0	REV AX1
-------------------	-------------------	------------------------------------	-------------------

CHANGE by *Jimmy song* 26-Dec-2008

SHEET 29 OF 53

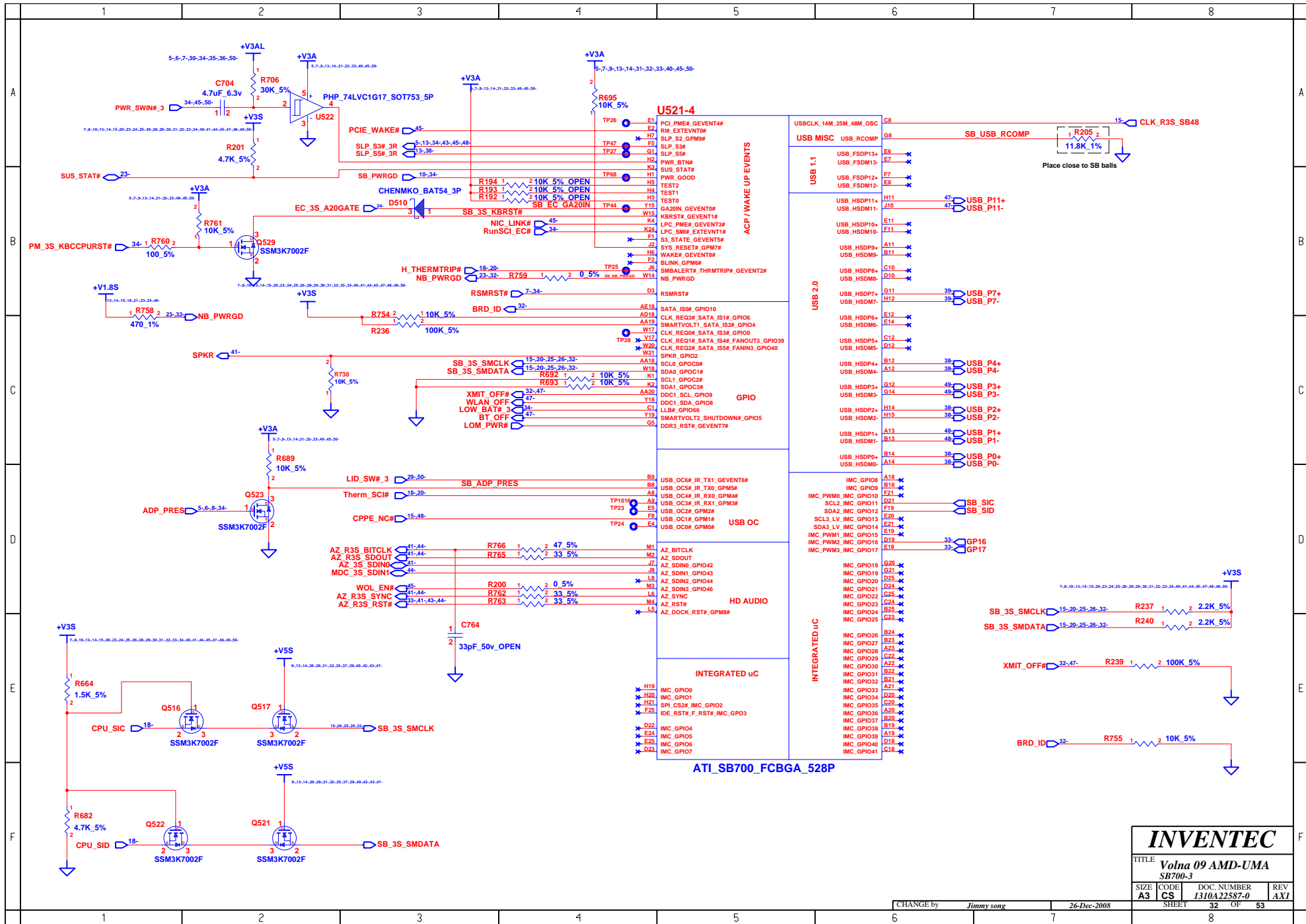


INVENTEC

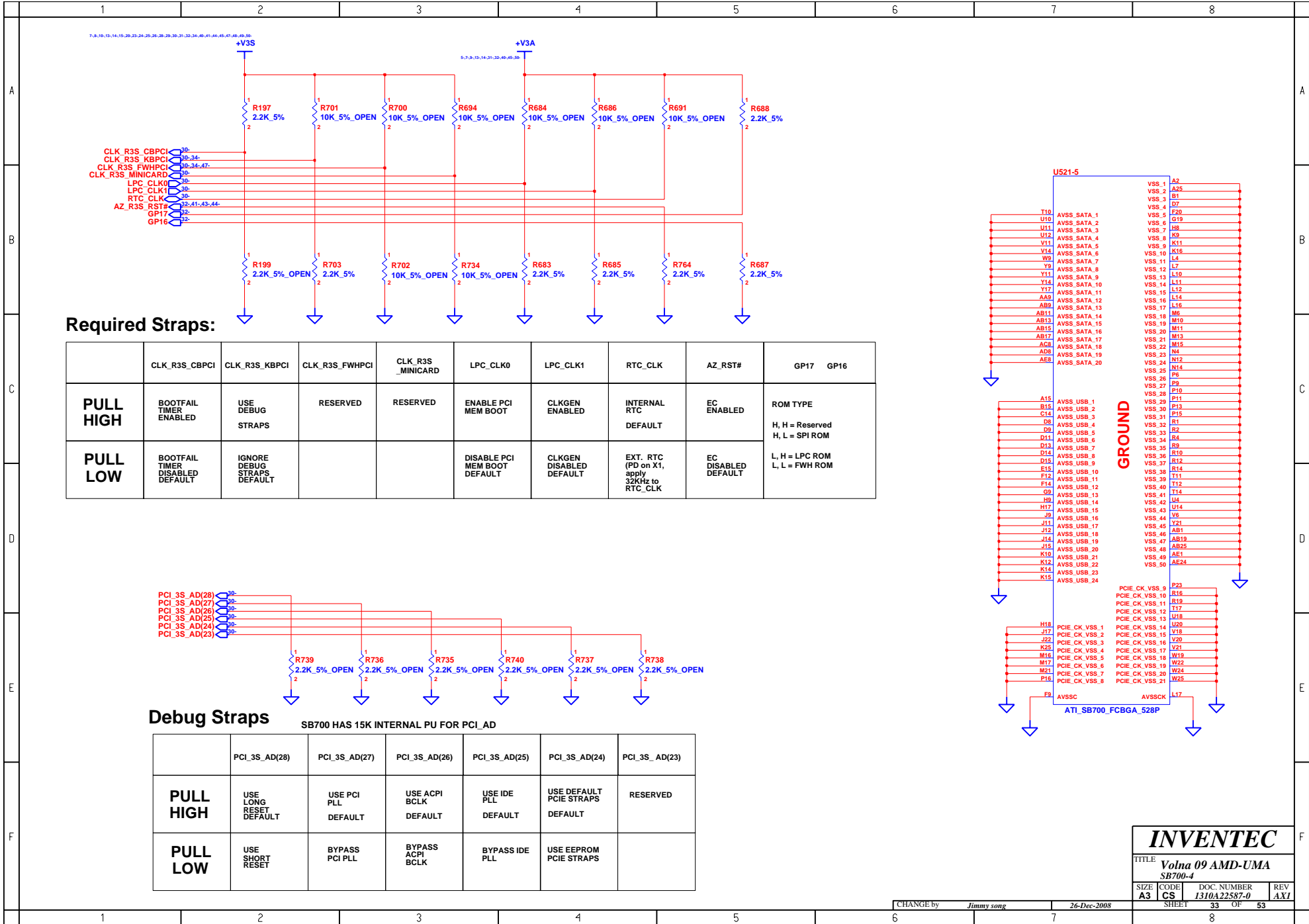
TITLE
Volna 09 AMD-UMA
SB700-1

SIZE	CODE	DOC. NUMBER	REV
A3	CS	1310A22587-0	AX1

CHANGE by Jimmy song 26-Dec-2008



INVENTEC			
TITLE Volna 09 AMD-UMA			
SB700-3			
SIZE	CODE	DOC. NUMBER	REV
A3	CS	1310A22587-0	AX1
CHANGE by		26-Dec-2008	
Jimmy song		SHEET 32 OF 53	



Required Straps:

	CLK_R3S_CBPCI	CLK_R3S_KBPCI	CLK_R3S_FWHPCI	CLK_R3S_MINICARD	LPC_CLK0	LPC_CLK1	RTC_CLK	AZ_RST#	GP17	GP16
PULL HIGH	BOOTFAIL TIMER ENABLED	USE DEBUG STRAPS	RESERVED	RESERVED	ENABLE PCI MEM BOOT	CLKGEN ENABLED	INTERNAL RTC DEFAULT	EC ENABLED	ROM TYPE H, H = Reserved L, L = SPI ROM	
PULL LOW	BOOTFAIL TIMER DISABLED DEFAULT	IGNORE DEBUG STRAPS DEFAULT			DISABLE PCI MEM BOOT DEFAULT	CLKGEN DISABLED DEFAULT	EXT. RTC (PD on X1, apply 32KHz to RTC_CLK)	EC DISABLED DEFAULT	L, H = LPC ROM L, L = FWH ROM	

Debug Straps

SB700 HAS 15K INTERNAL PU FOR PCI_AD

	PCI_3S_AD(28)	PCI_3S_AD(27)	PCI_3S_AD(26)	PCI_3S_AD(25)	PCI_3S_AD(24)	PCI_3S_AD(23)
PULL HIGH	USE LONG RESET DEFAULT	USE PCI PLL DEFAULT	USE ACPI BCLK DEFAULT	USE IDE PLL DEFAULT	USE DEFAULT PCIE STRAPS DEFAULT	RESERVED
PULL LOW	USE SHORT RESET	BYPASS PCI PLL	BYPASS ACPI BCLK	BYPASS IDE PLL	USE EEPROM PCIE STRAPS	

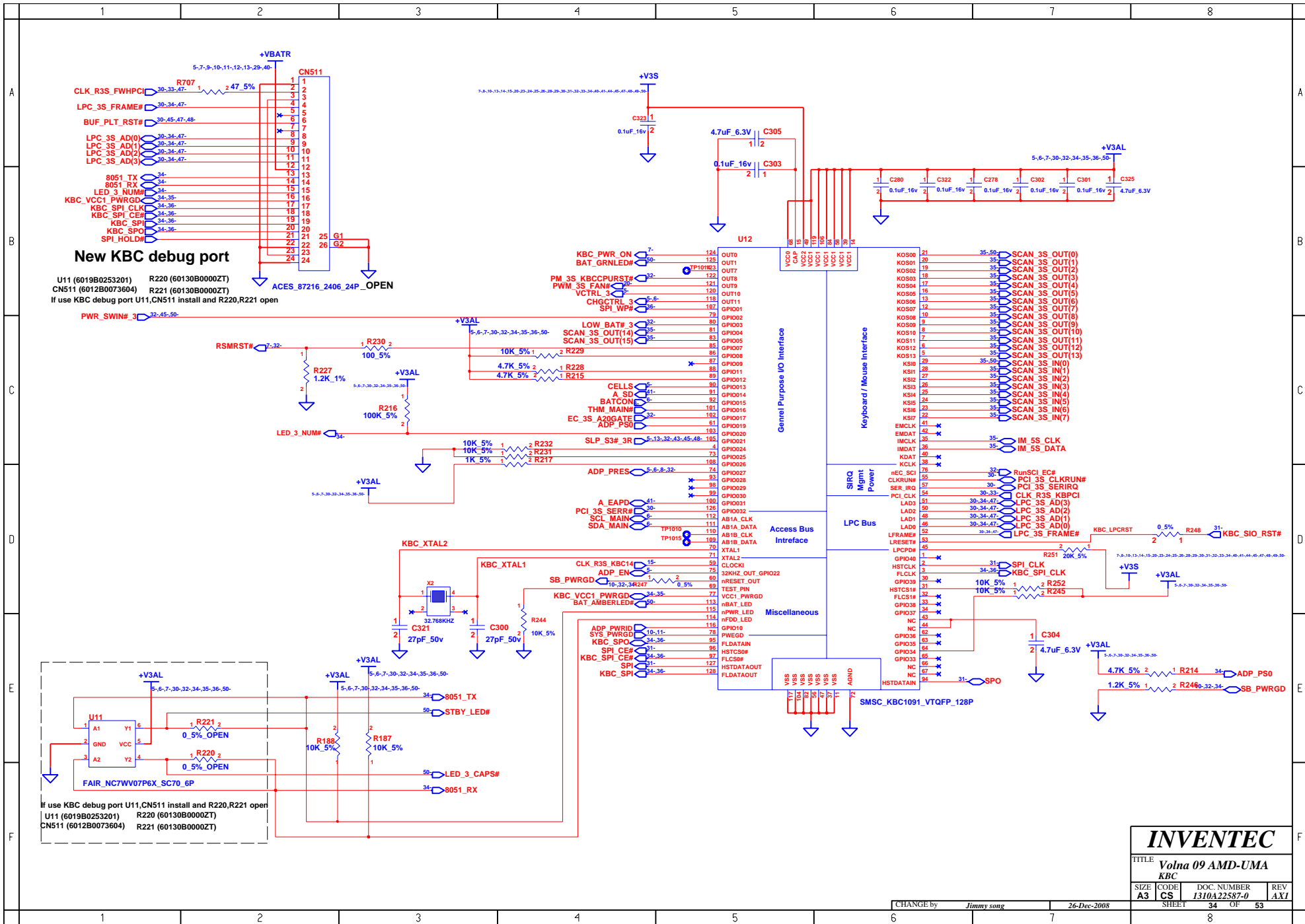
GROUND

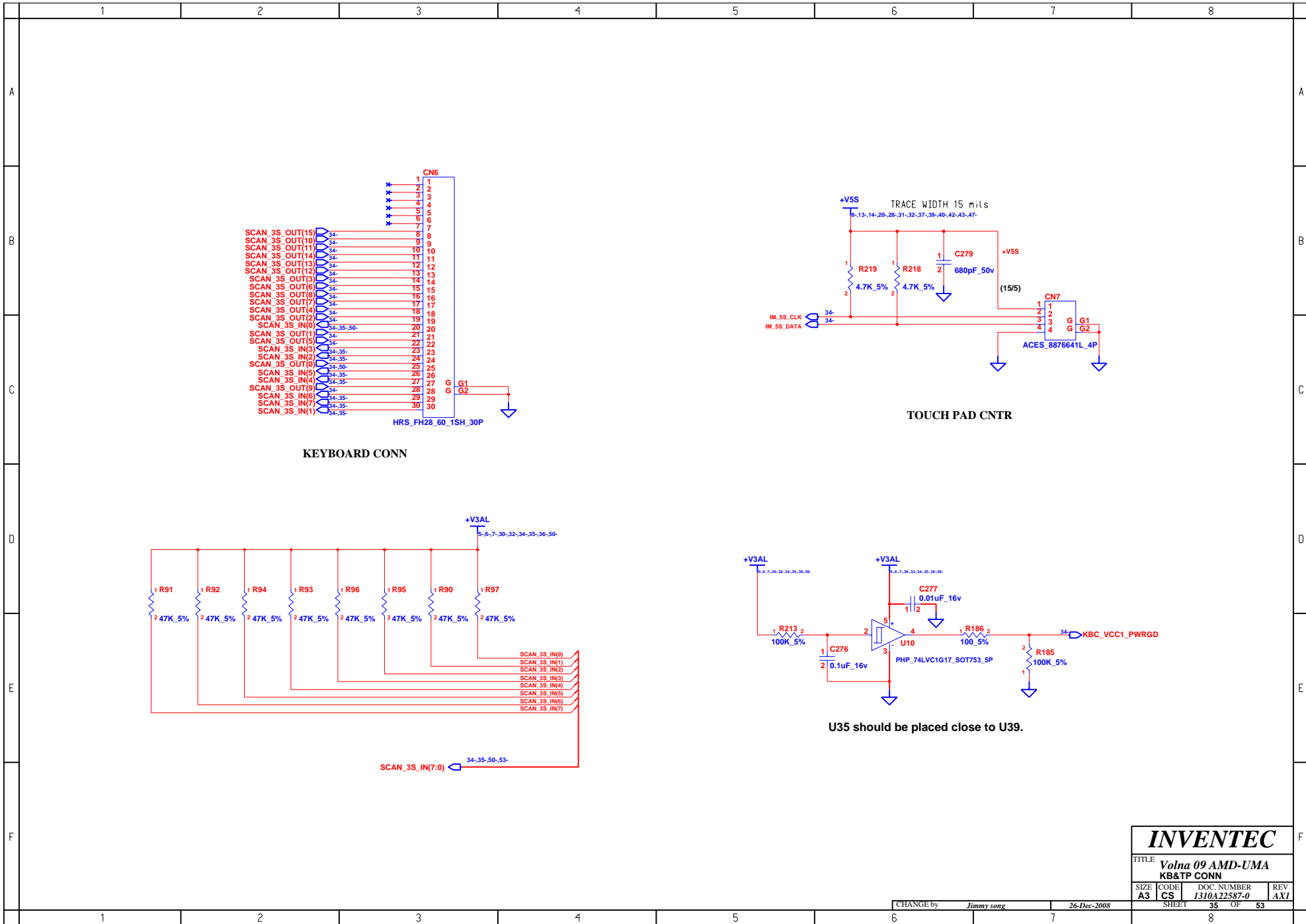
INVENTEC

TITLE
Volna 09 AMD-UMA
SB700-4

SIZE	CODE	DOC. NUMBER	REV
A3	CS	1310A22587-0	AX1

CHANGE by *Jimmy song* 26-Dec-2008 SHEET 33 OF 53





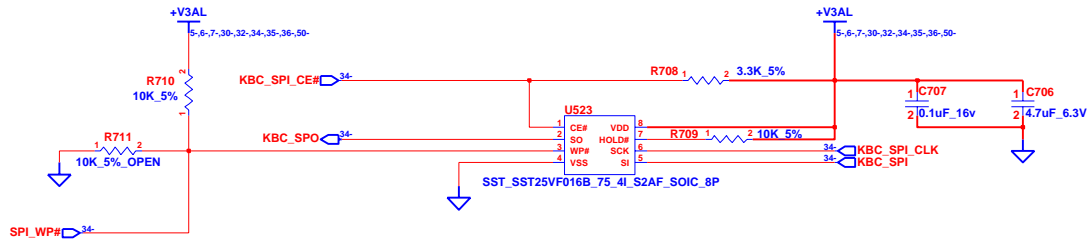
INVENTEC

TITLE
Volna 09 AMD-UMA
KB&TP CONN

SIZE A3	CODE CS	DOC NUMBER I310A22587-0	REV AX1
------------	------------	----------------------------	------------

CHANGE by Jimmy song 26-Dec-2008

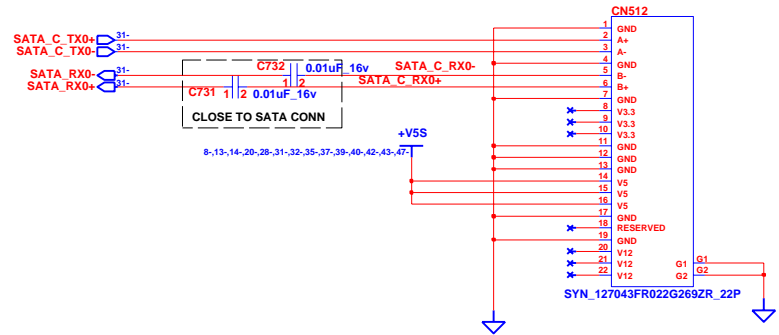
SHEET 35 OF 53



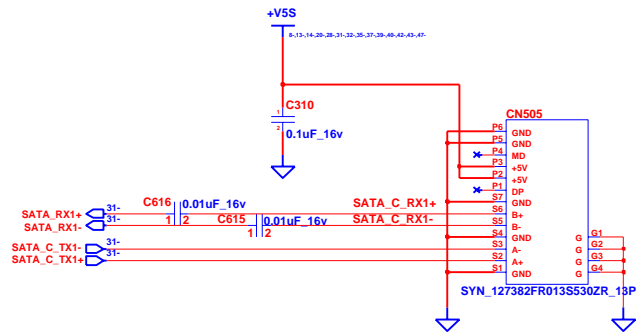
SPI Flash

INVENTEC			
TITLE Volna 09 AMD-UMA			
SPI			
SIZE A3	CODE CS	DOC. NUMBER 1310A22587-0	REV AX1
CHANGE by <i>Jimmy song</i>		26-Dec-2008	
SHEET 36		OF 53	

	1	2	3	4	5	6	7	8	
A									
B									
C									
D									
E									
F									
	1	2	3	4	5	6	7	8	



HDD CONNECTOR



ODD SATA CONNECTOR

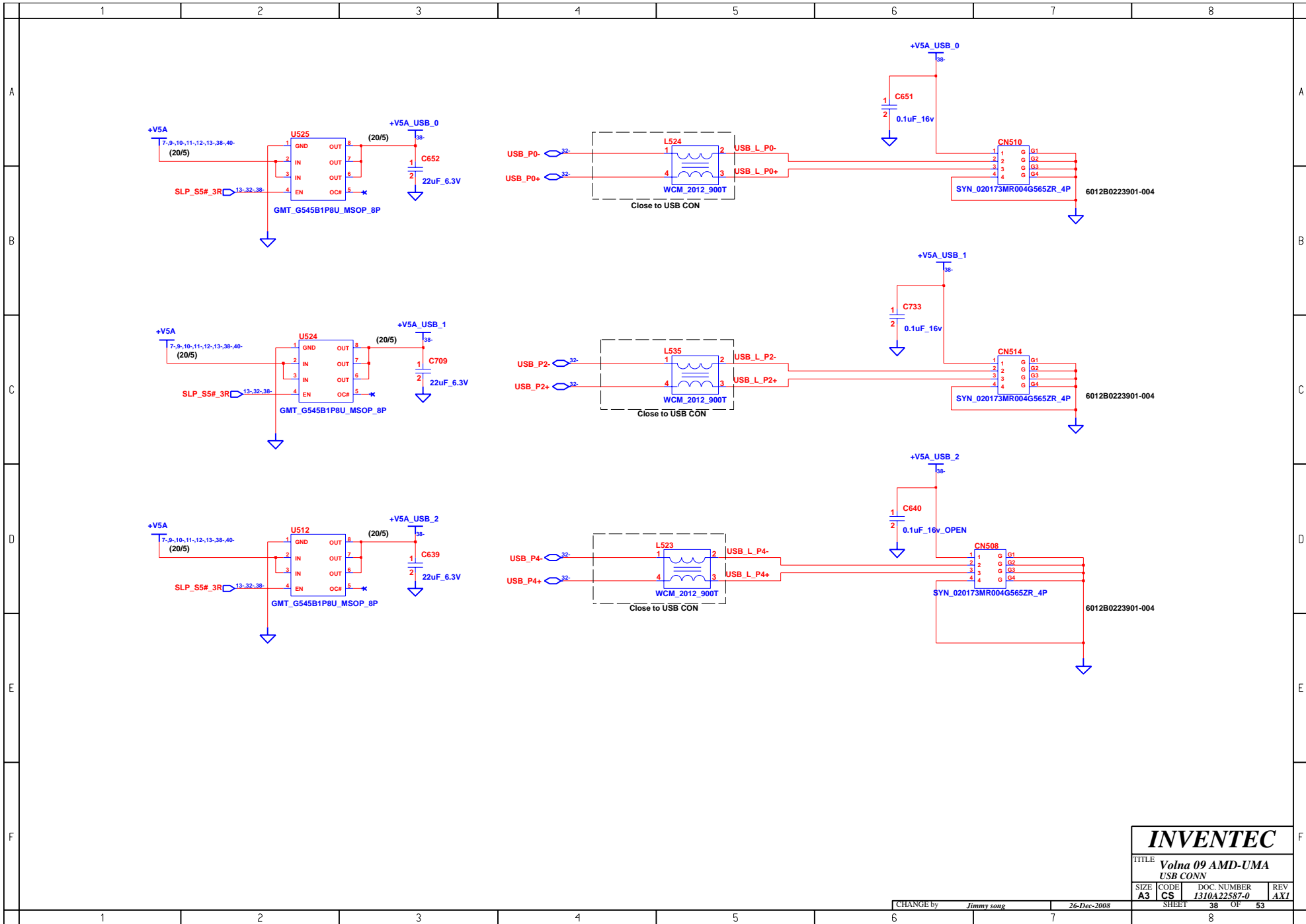
INVENTEC

TITLE
Volna 09 AMD-UMA
HDD & ODD CONN

SIZE A3	CODE CS	DOC. NUMBER 1310A22587-0	REV AXI
------------	------------	-----------------------------	------------

CHANGE by Jimmy song 26-Dec-2008

SHEET 37 OF 53

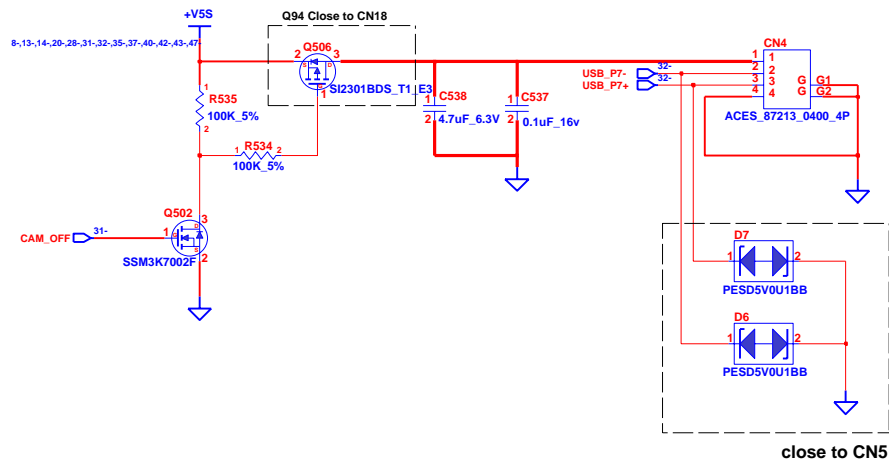


INVENTEC

TITLE
Volna 09 AMD-UMA
 USB CONN

SIZE A3	CODE CS	DOC. NUMBER 1310A22587-0	REV AX1
-------------------	-------------------	------------------------------------	-------------------

(At least 20mils.)



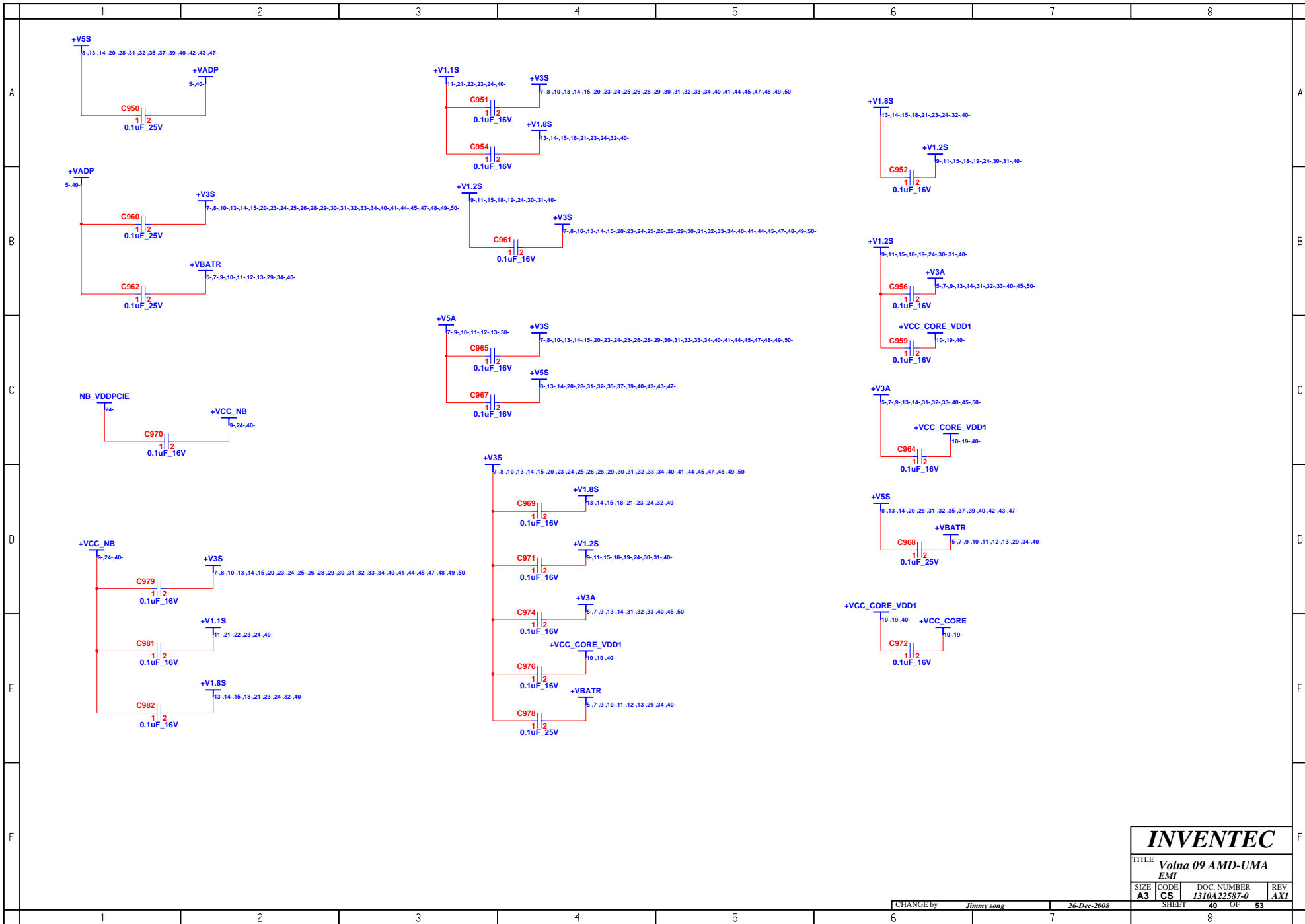
USB WEBCAM CONNECTOR

INVENTEC

TITLE			
Volna 09 AMD-UMA			
USB WEBCAM CONN			
SIZE	CODE	DOC. NUMBER	REV
A3	CS	1310A22587-0	AX1

CHANGE by Jimmy song 26-Dec-2008

SHEET 39 OF 53

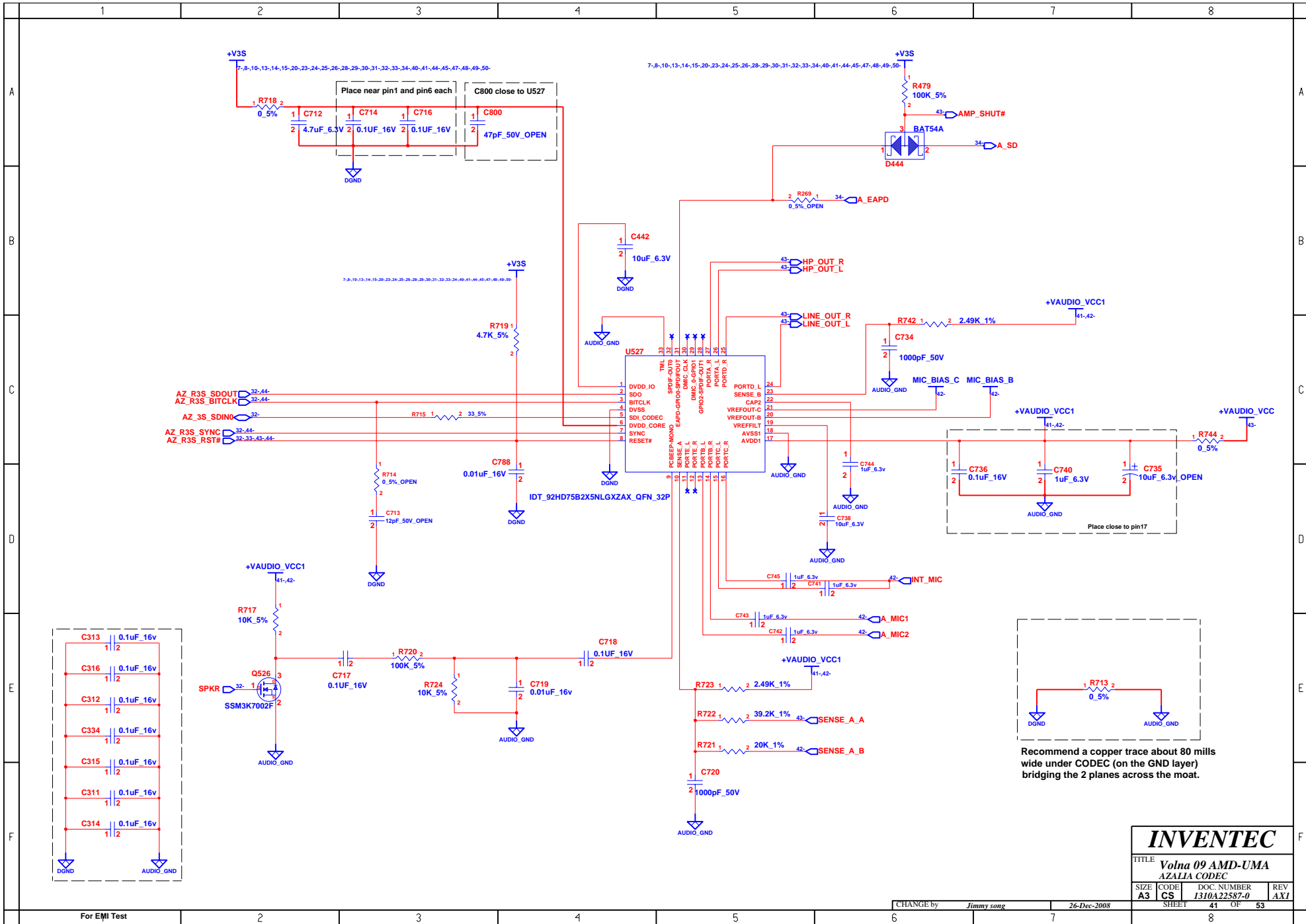


INVENTEC

TITLE **Volna 09 AMD-UMA**
EMI

SIZE	CODE	DOC. NUMBER	REV
A3	CS	1310A22587-0	AXI

CHANGE by	Jimmy song	26-Dec-2008	SHEET	40	OF	53
-----------	------------	-------------	-------	----	----	----



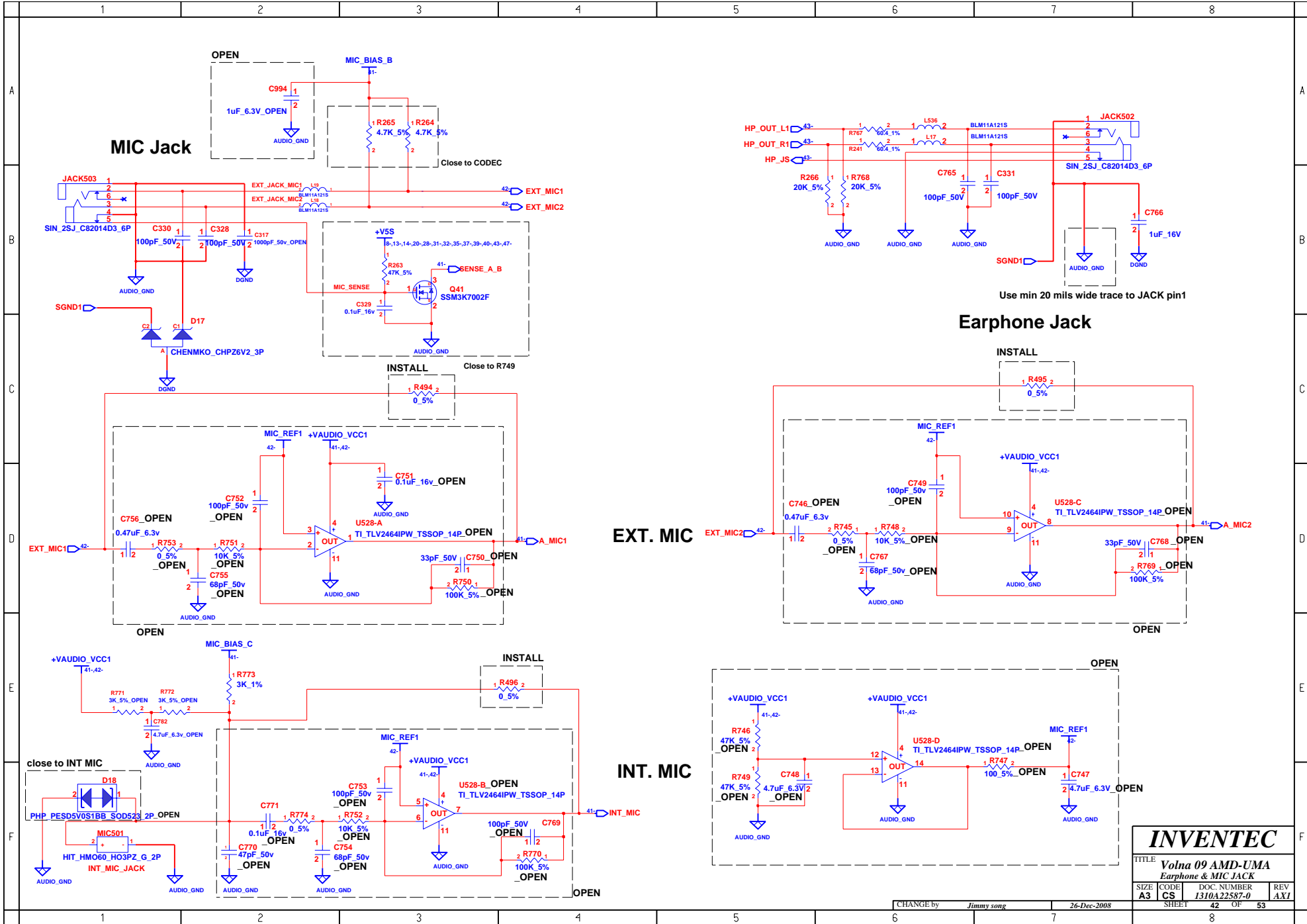
Recommend a copper trace about 80 mills wide under CODEC (on the GND layer) bridging the 2 planes across the moat.

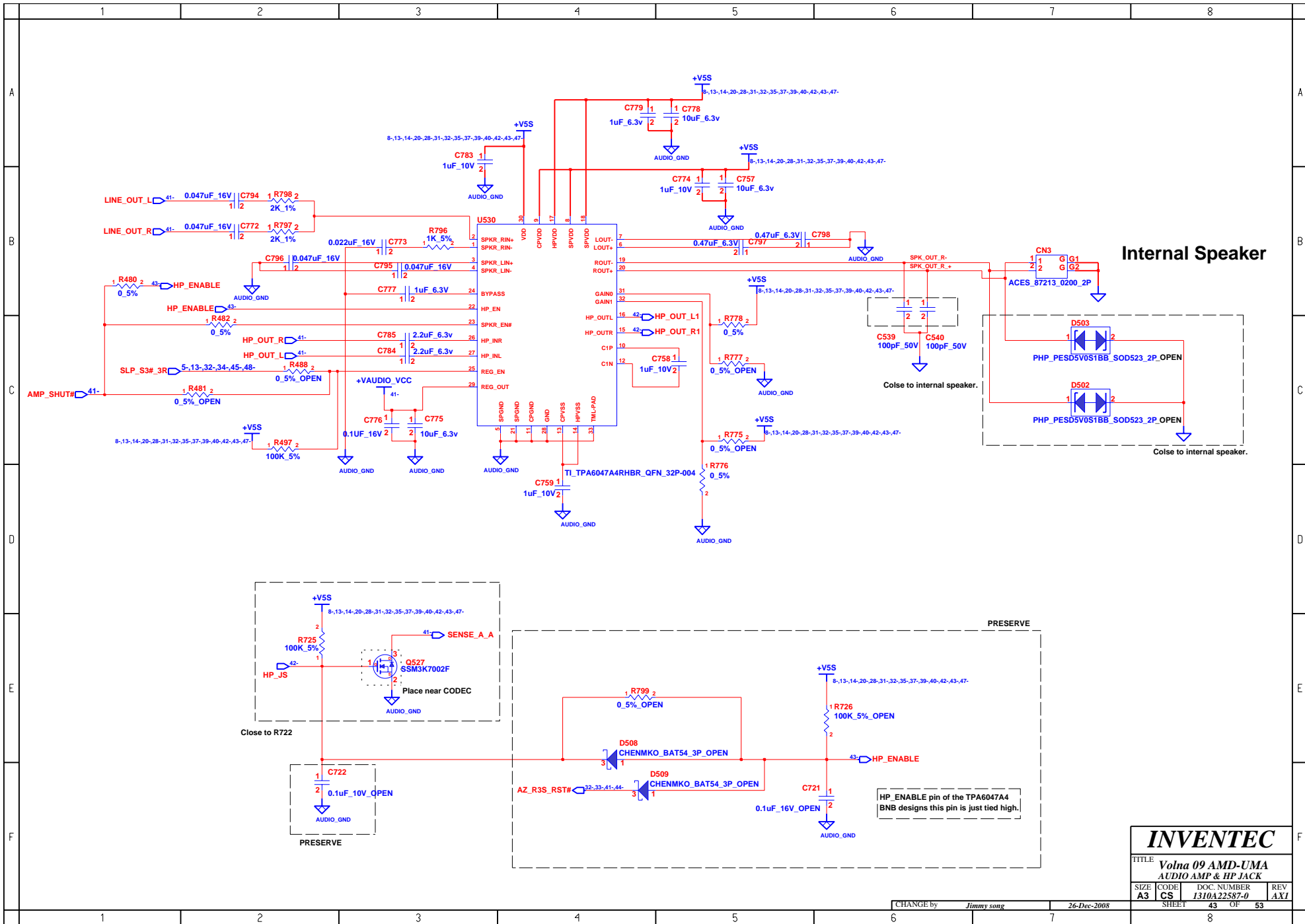
INVENTEC

TITLE
Volna 09 AMD-UMA
AZALIA CODEC

SIZE A3	CODE CS	DOC. NUMBER I310A22587-0	REV AXI
------------	------------	-----------------------------	------------

SHEET 41 OF 53





Internal Speaker

Coise to internal speaker.

Coise to internal speaker.

PRESERVE

Close to R722

PRESERVE

HP_ENABLE pin of the TPA6047A4
BNB designs this pin is just tied high.

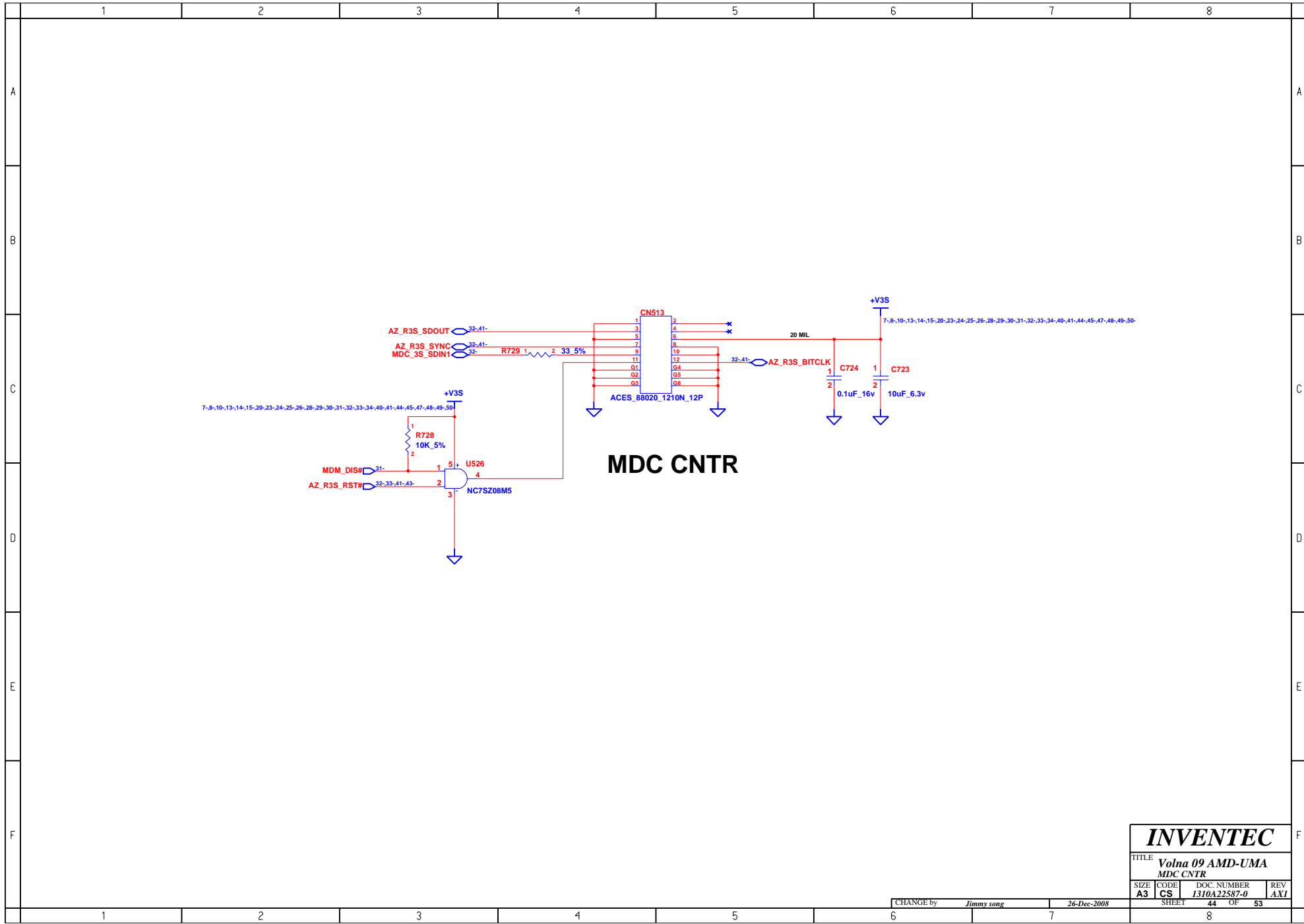
INVENTEC

TITLE
Volna 09 AMD-UMA
AUDIO AMP & HP JACK

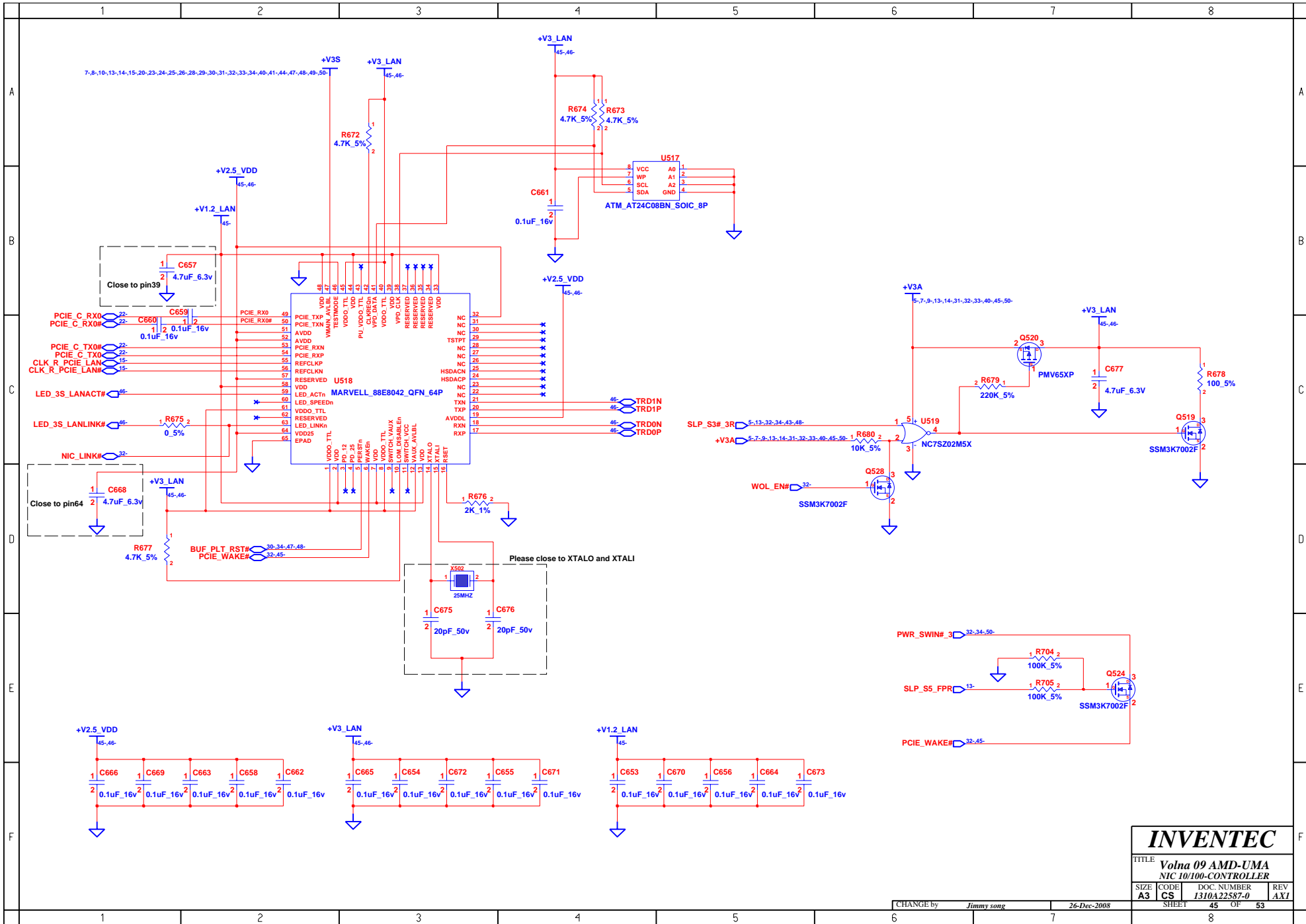
SIZE A3	CODE CS	DOC. NUMBER I310A22587-0	REV AX1
------------	------------	-----------------------------	------------

CHANGE by Jimmy song 26-Dec-2008

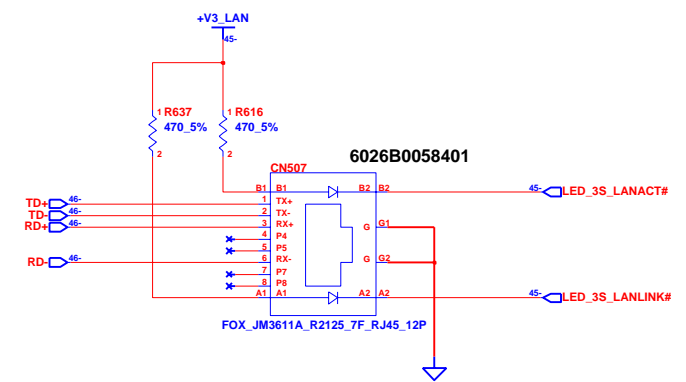
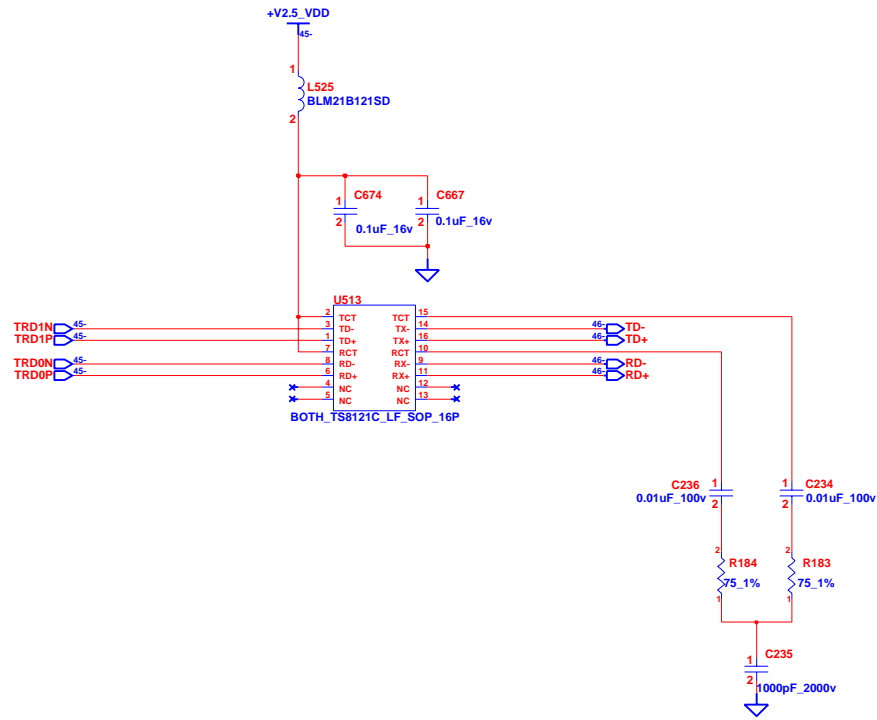
SHEET 43	OF 53
-------------	----------



INVENTEC			
TITLE Volna 09 AMD-UMA MDC CNTR			
SIZE A3	CODE CS	DOC. NUMBER 1310A22587-0	REV AX1
CHANGE by <i>Jimmy song</i>		26-Dec-2008	
SHEET 44		OF 53	

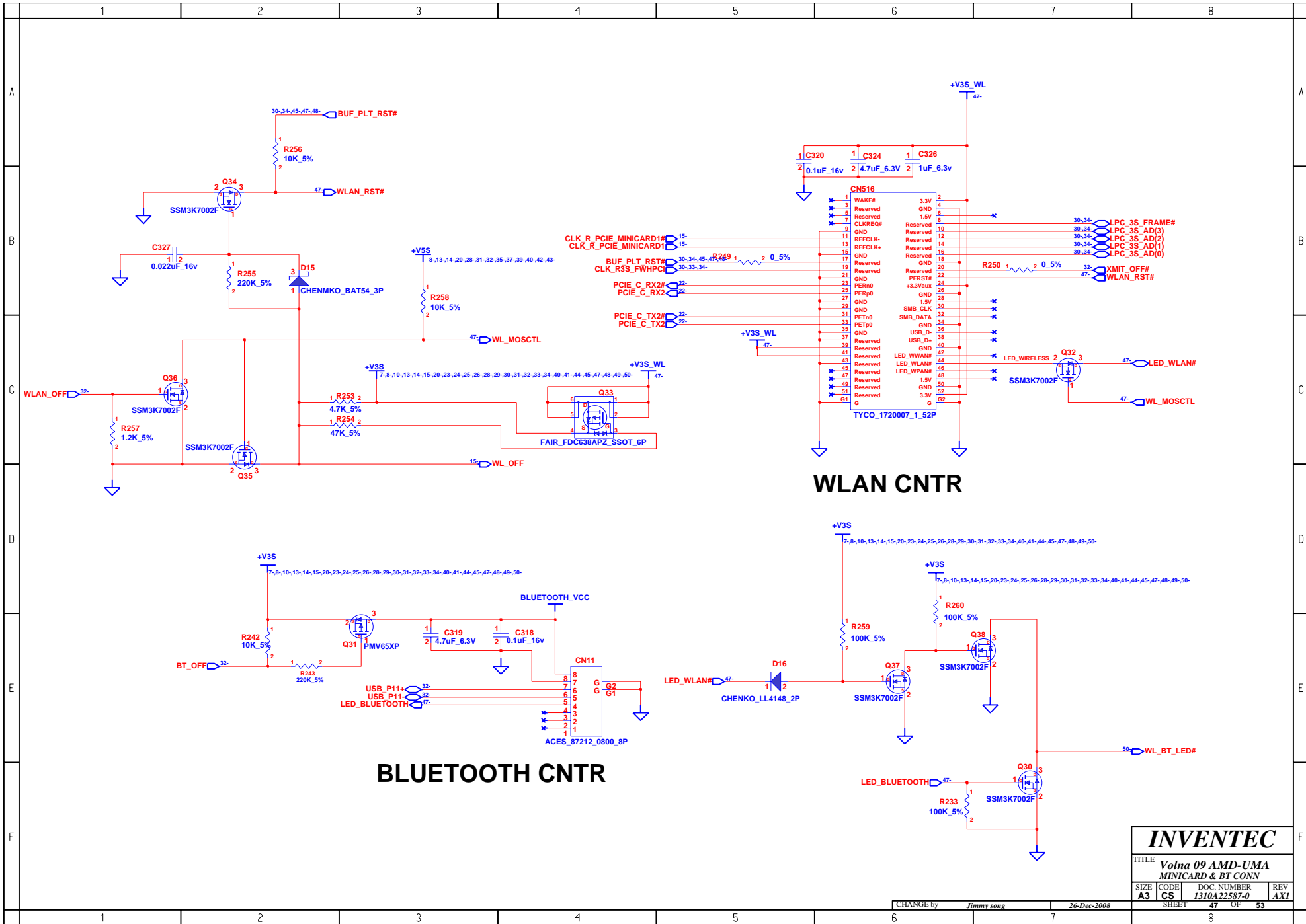


INVENTEC			
TITLE Volna 09 AMD-UMA NIC 10/100-CONTROLLER			
SIZE A3	CODE CS	DOC. NUMBER I310A22587-0	REV AX1
CHANGE by <i>Jimmy song</i>		26-Dec-2008	
SHEET 45		OF 53	



INVENTEC			
TITLE Volna 09 AMD-UMA NIC 10/100-RJ45 CONN			
SIZE A3	CODE CS	DOC. NUMBER 1310A22587-0	REV AX1
CHANGE by <i>Jimmy song</i>		26-Dec-2008	
SHEET 46		OF 53	

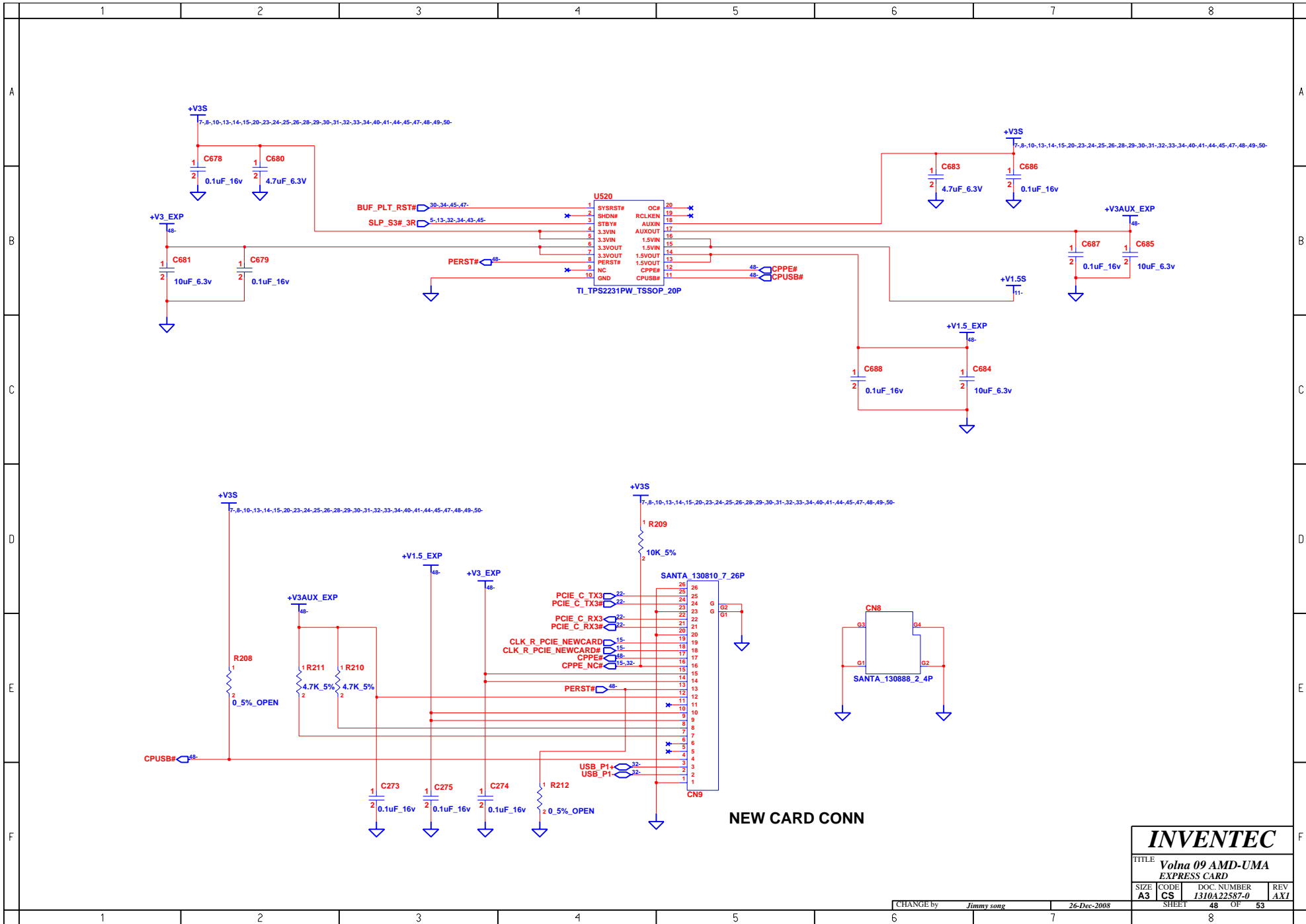
1	2	3	4	5	6	7	8
A							A
B							B
C							C
D							D
E							E
F							F
1	2	3	4	5	6	7	8



WLAN CNTR

BLUETOOTH CNTR

INVENTEC			
TITLE Volna 09 AMD-UMA MINICARD & BT CONN			
SIZE A3	CODE CS	DOC NUMBER I310A22587-0	REV AX1
CHANGE by <i>Jimmy song</i>		26-Dec-2008	
SHEET 47		OF 53	

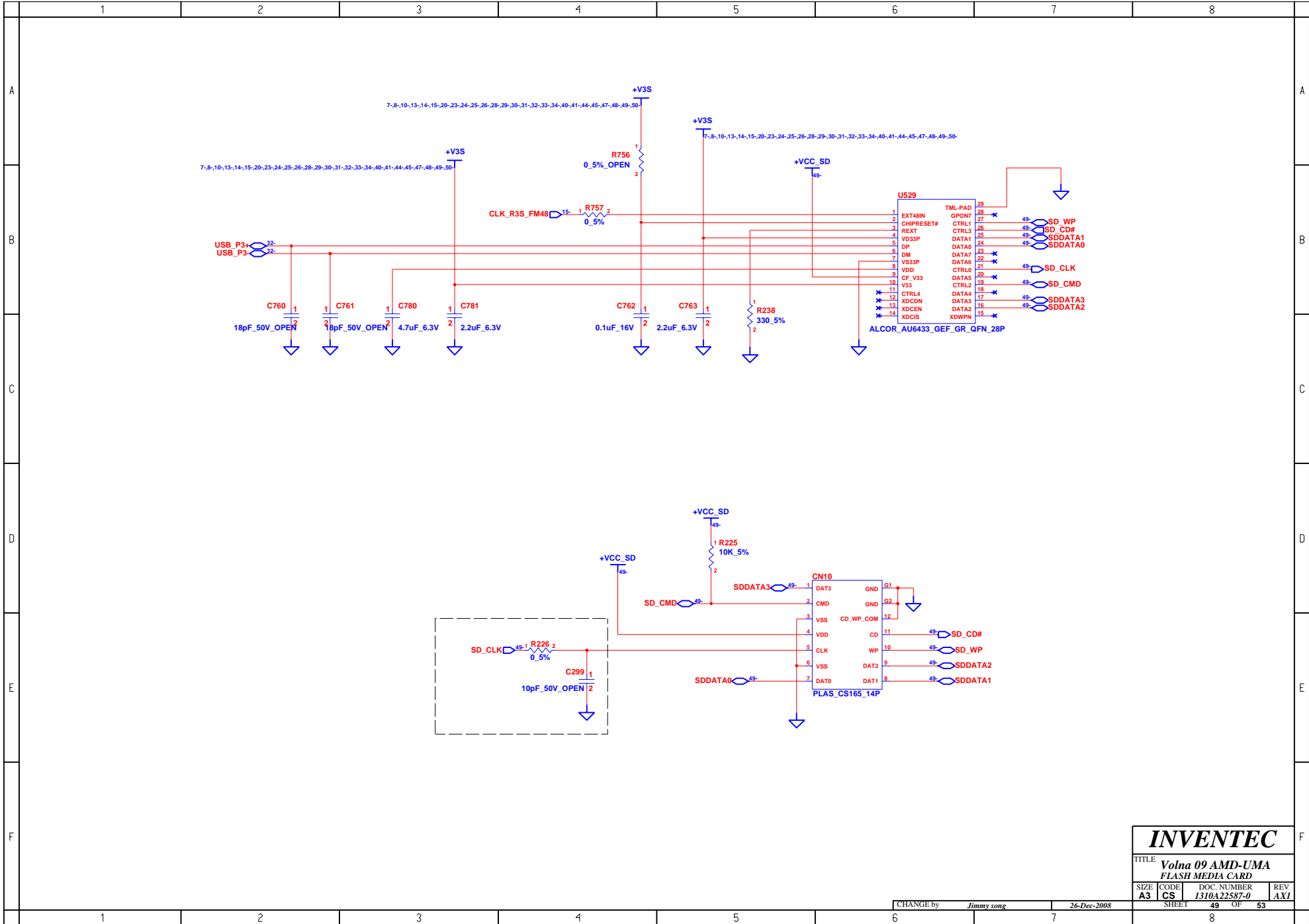


INVENTEC
 TITLE: Volna 09 AMD-UMA EXPRESS CARD

SIZE	CODE	DOC. NUMBER	REV
A3	CS	I310A22587-0	AX1

CHANGE by Jimmy song 26-Dec-2008

SHEET 48 OF 53



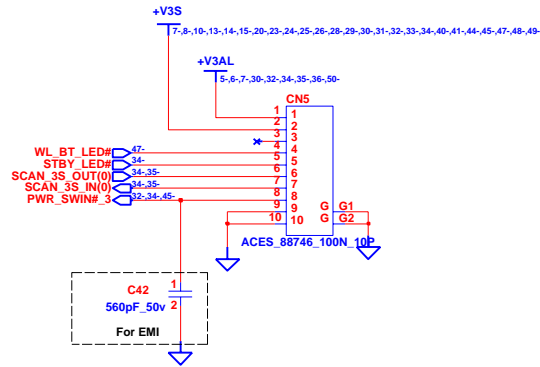
INVENTEC

TITLE
Volna 09 AMD-UMA
FLASH MEDIA CARD

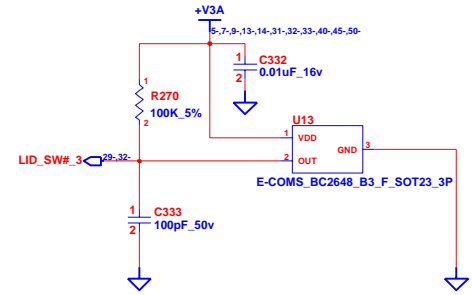
SIZE A3	CODE CS	DOC. NUMBER 1310A22587-0	REV AX1
------------	------------	-----------------------------	------------

CHANGE by Jimmy song 26-Dec-2008

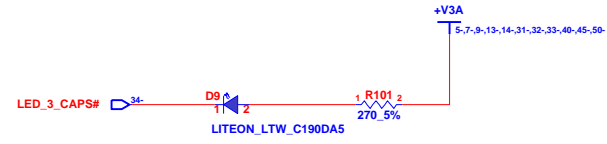
SHEET 49 OF 53



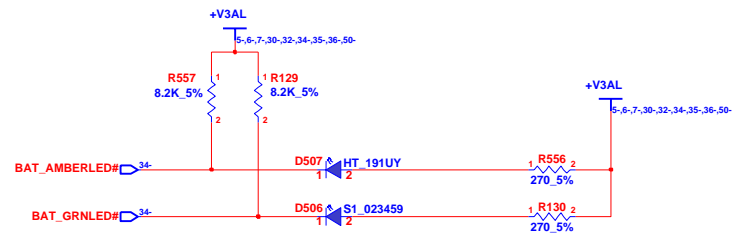
SWITCH DAUGHTER CONNECTOR



LID SWITCH



CAP LED



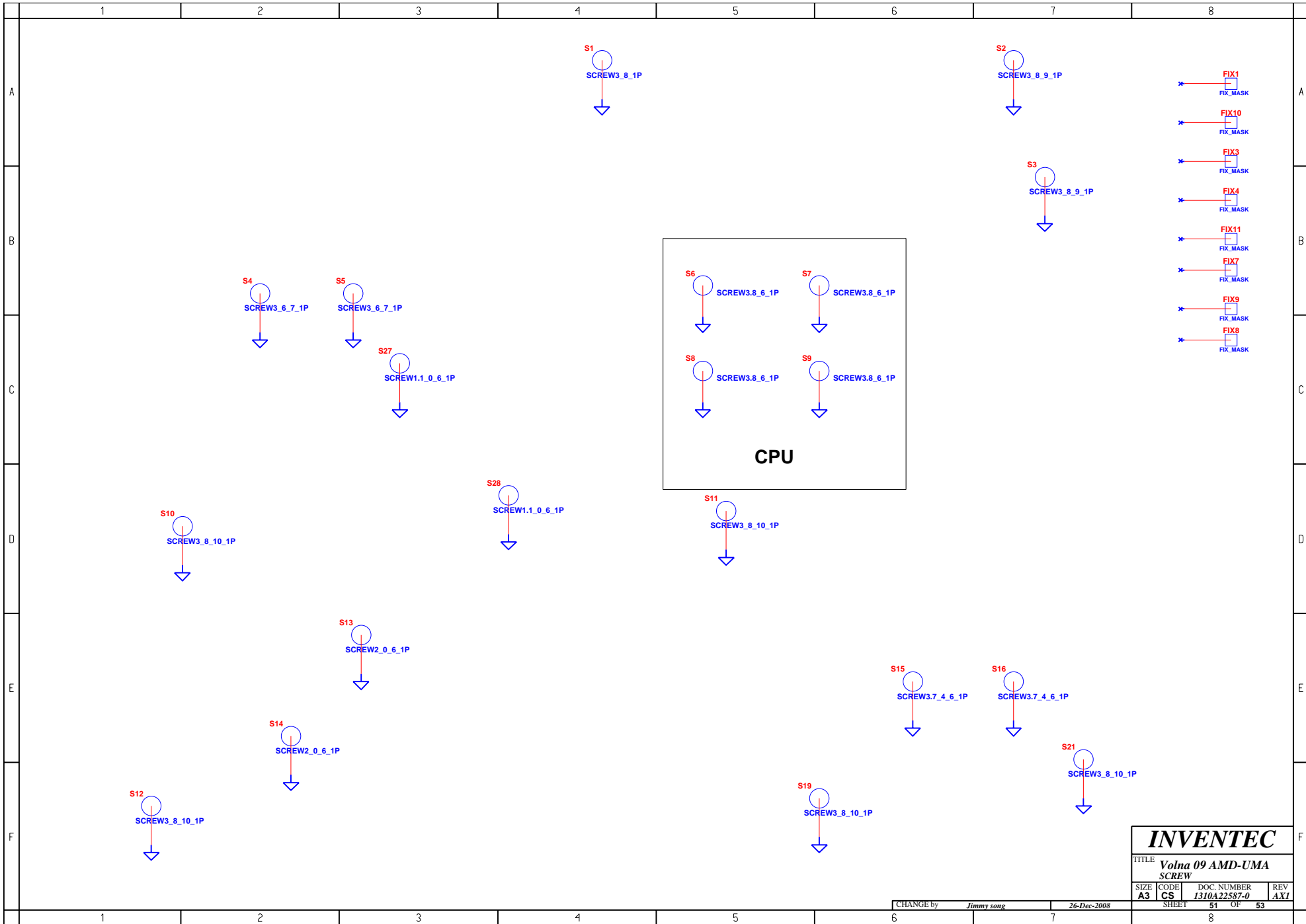
BATTERY-CHARGE LED

INVENTEC
 TITLE
Volna 09 AMD-UMA
BUTTON & LED

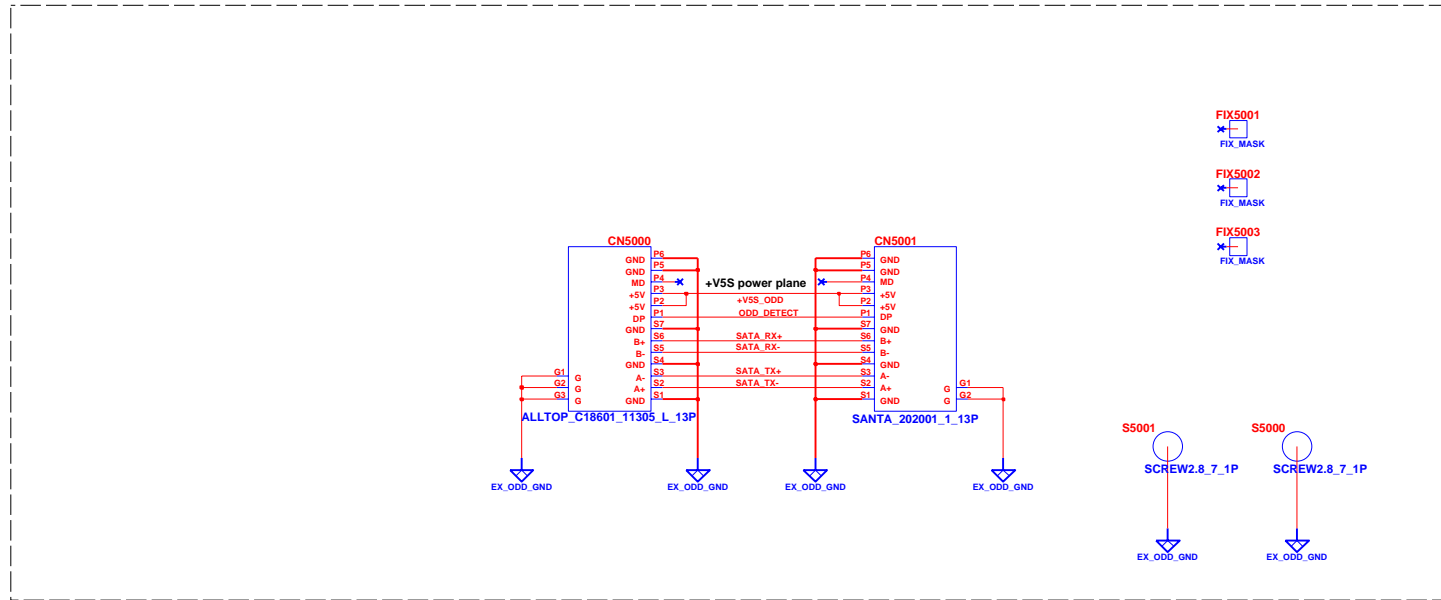
SIZE	CODE	DOC. NUMBER	REV
A3	CS	1310A22587-0	AX1

CHANGE by Jimmy song 26-Dec-2008

SHEET 50 OF 53



INVENTEC			
TITLE Volna 09 AMD-UMA			
SCREW			
SIZE A3	CODE CS	DOC. NUMBER 1310A22587-0	REV AX1
CHANGE by <i>Jimmy song</i>		26-Dec-2008	
SHEET 51		OF 53	



ODD Extension Board

INVENTEC

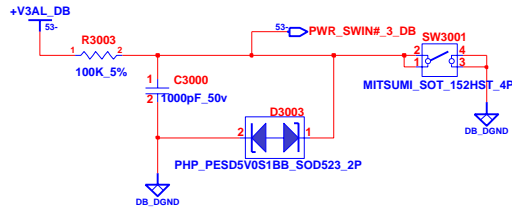
TITLE
Volna 09 AMD-UMA
 ODD Extension Board

SIZE	CODE	DOC. NUMBER	REV
A3	CS	1310A22587-0	AX1

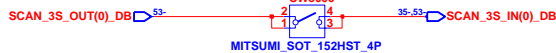
CHANGE by Jimmy song 26-Dec-2008

SHEET 52 OF 53

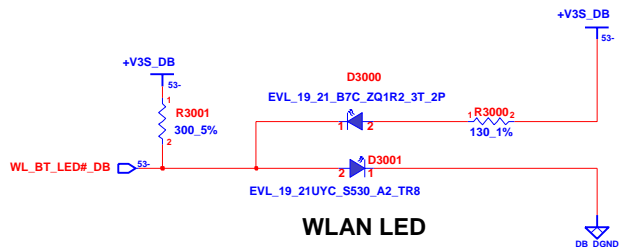
	1	2	3	4	5	6	7	8	
A									
B									
C									
D									
E									
F									
	1	2	3	4	5	6	7	8	



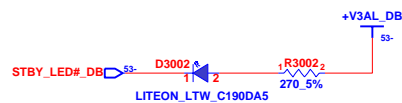
POWER BUTTON



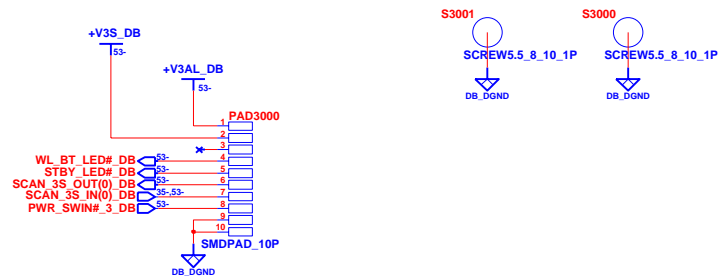
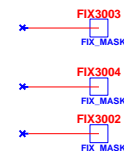
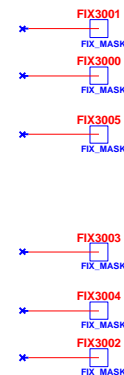
WIRELESS BUTTON



WLAN LED



POWER / STANDBY LED



LED & SWITCH PAD

SWITCH DAUGHTER BOARD

INVENTEC

TITLE
**Volna 09 AMD-UMA
SWITCH Board**

SIZE A3	CODE CS	DOC NUMBER 1310A22587-0	REV AX1
-------------------	-------------------	-----------------------------------	-------------------

CHANGE by *Jimmy song* 26-Dec-2008

SHEET 53 OF 53