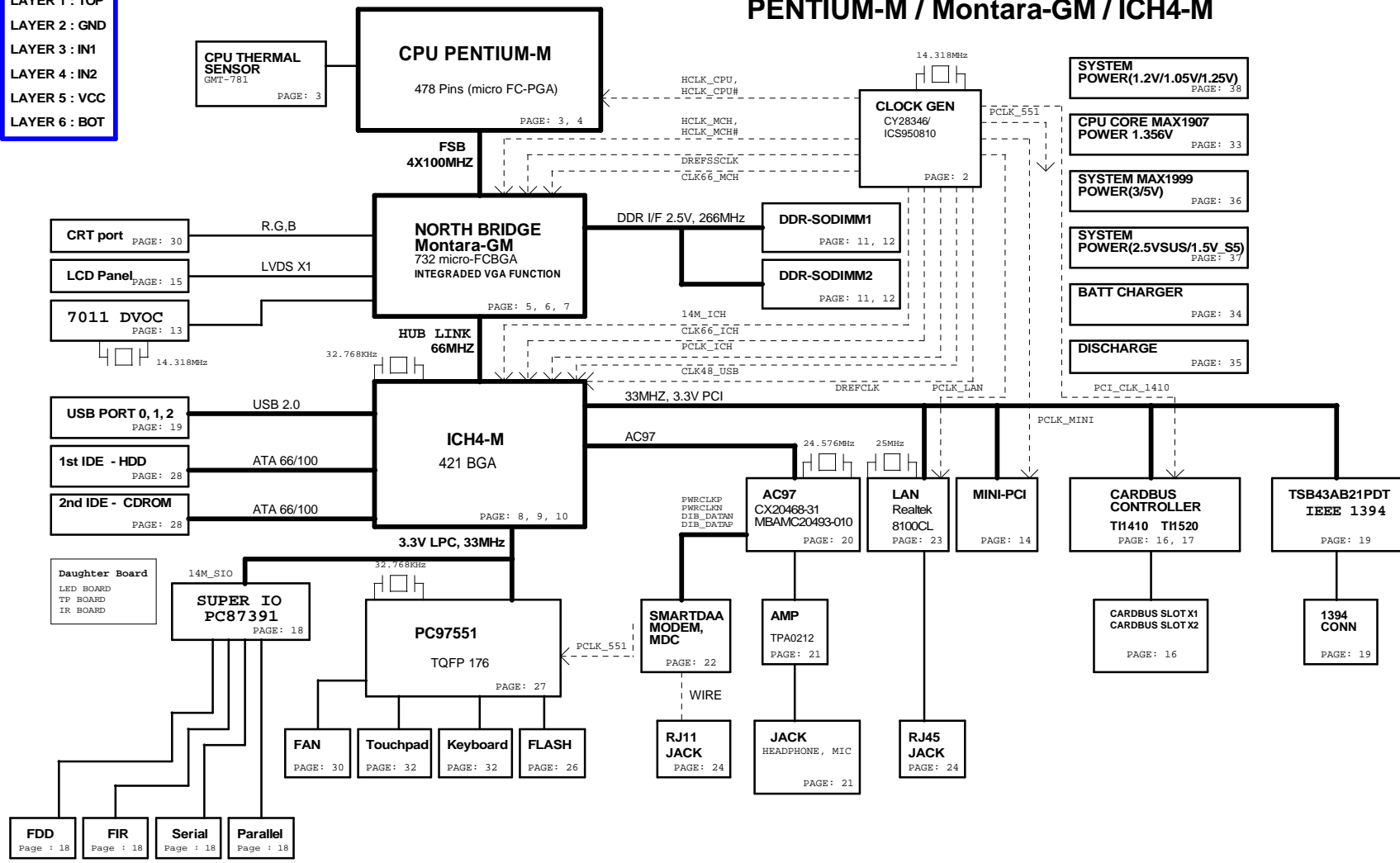


KT2 BLOCK DIAGRAM

PENTIUM-M / Montara-GM / ICH4-M

PCB STACK UP

- LAYER 1 : TOP
- LAYER 2 : GND
- LAYER 3 : IN1
- LAYER 4 : IN2
- LAYER 5 : VCC
- LAYER 6 : BOT



REQ0#, GNT0# : PCMCIA
 REQ1#, GNT1# : MINIPCI
 REQ2#, GNT2# : LAN
 REQ3#, GNT3# : IEEE1394
 REQ4#, GNT4# : N/A

INTA# : LAN
 INTB# : CARDBUS 1520
 INTC# : MINIPCI
 INTD# : MINIPCI
 INTE# : CARDBUS
 INTF# : IEEE1394
 INTG# : NC
 INTH# : Internal USB

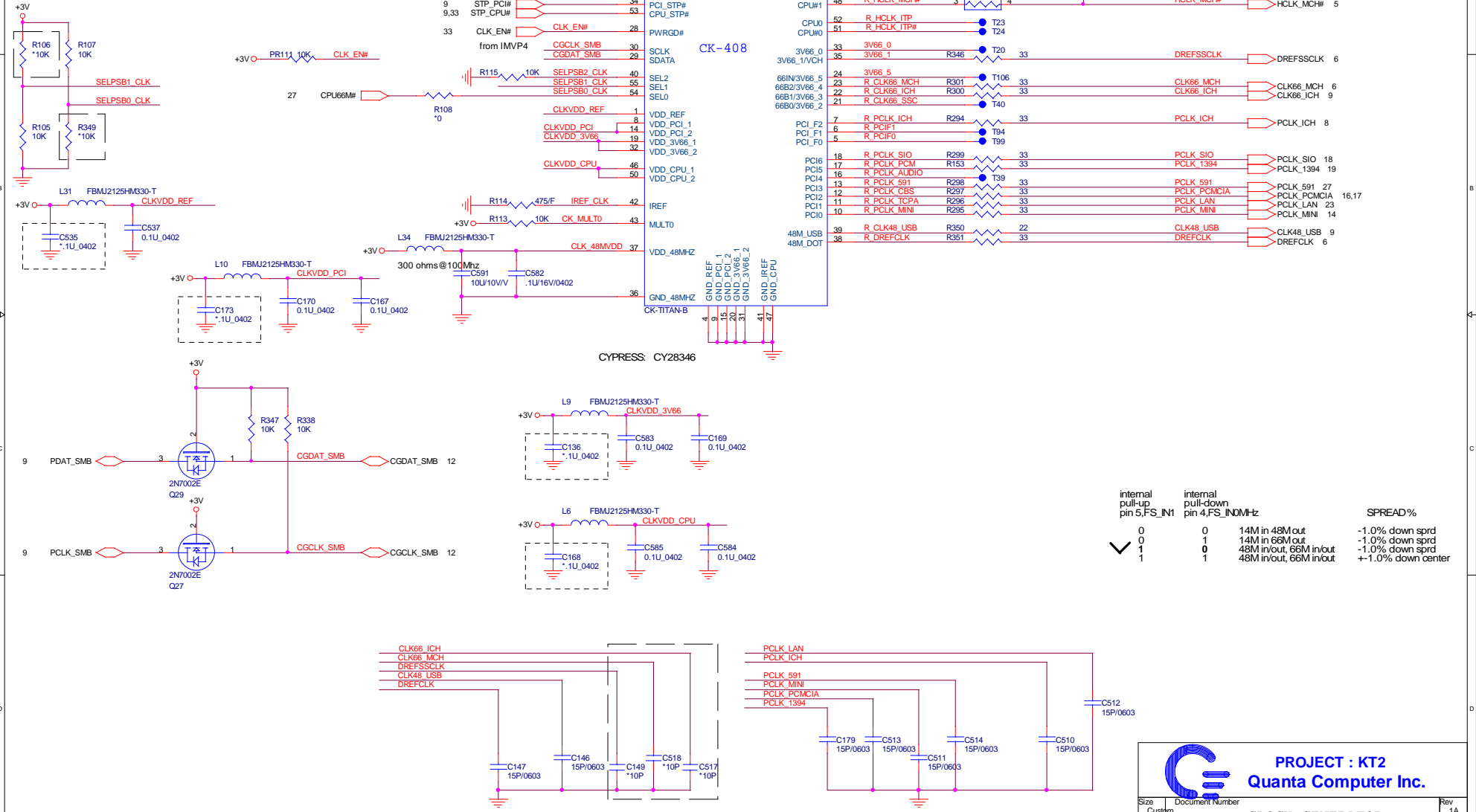
AD16 : RTL8100CL
 AD17 : PCI1520
 AD21 : PCI1410
 AD22 : MINIPCI
 AD23 : IEEE1394

PROJECT : KT2
Quanta Computer Inc.


Size	Document Number	Rev
C	01--BLOCK DIAGRAM	1/A
Date	Wednesday, April 07, 2004	Sheet 1 of 38

CLK GEN

S2	S1	S0	CPU	3V66[0..4]	3V66_5/66IN
1	0	0	66	66IN	66 Input
1	0	1	100	66IN	66 Input
1	1	0	200	66IN	66 Input
1	1	1	133	66IN	66 Input
0	0	0	66	66	66 Input
0	0	1	100	66	66 Input
0	1	0	200	66	66 Input
0	1	1	133	66	66 Input

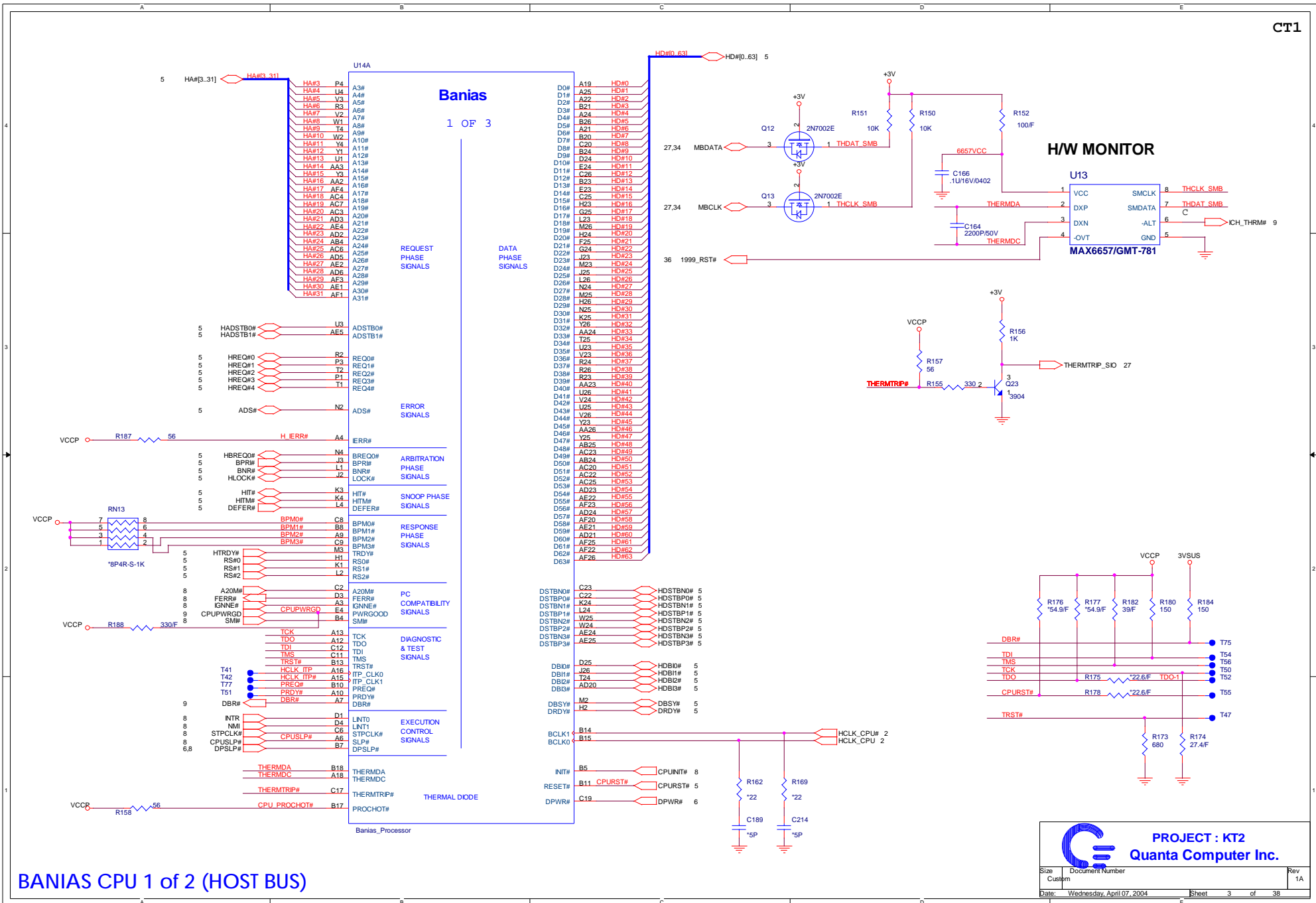


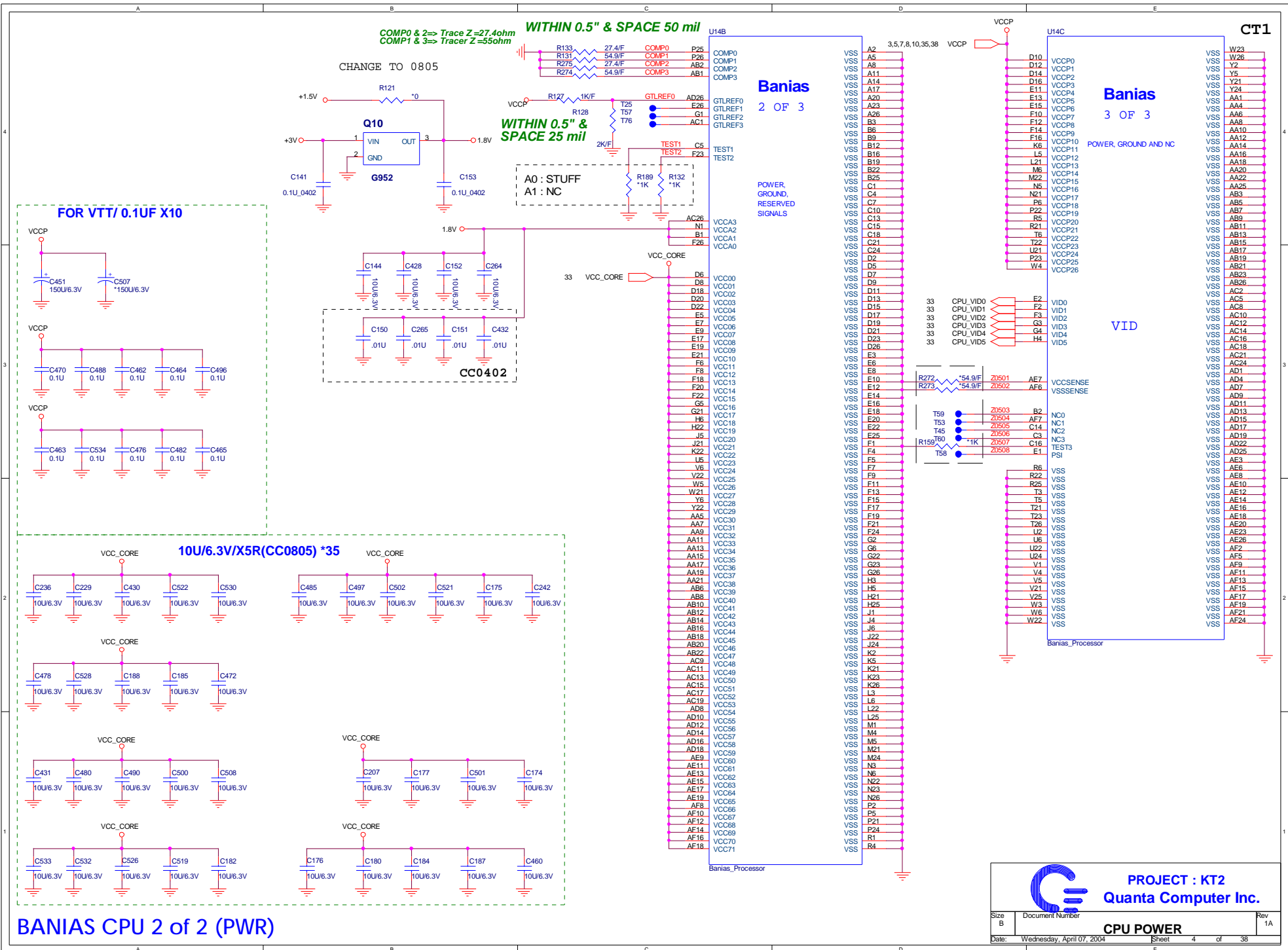
internal pull-up pin 5, FS_IN1	internal pull-down pin 4, FS_IN0M Hz	SPREAD%
0	0	14M in 48M out -1.0% down sprd
0	1	14M in 66M out -1.0% down sprd
1	0	48M in/out, 66M in/out -1.0% down sprd
1	1	48M in/out, 66M in/out +1.0% down center

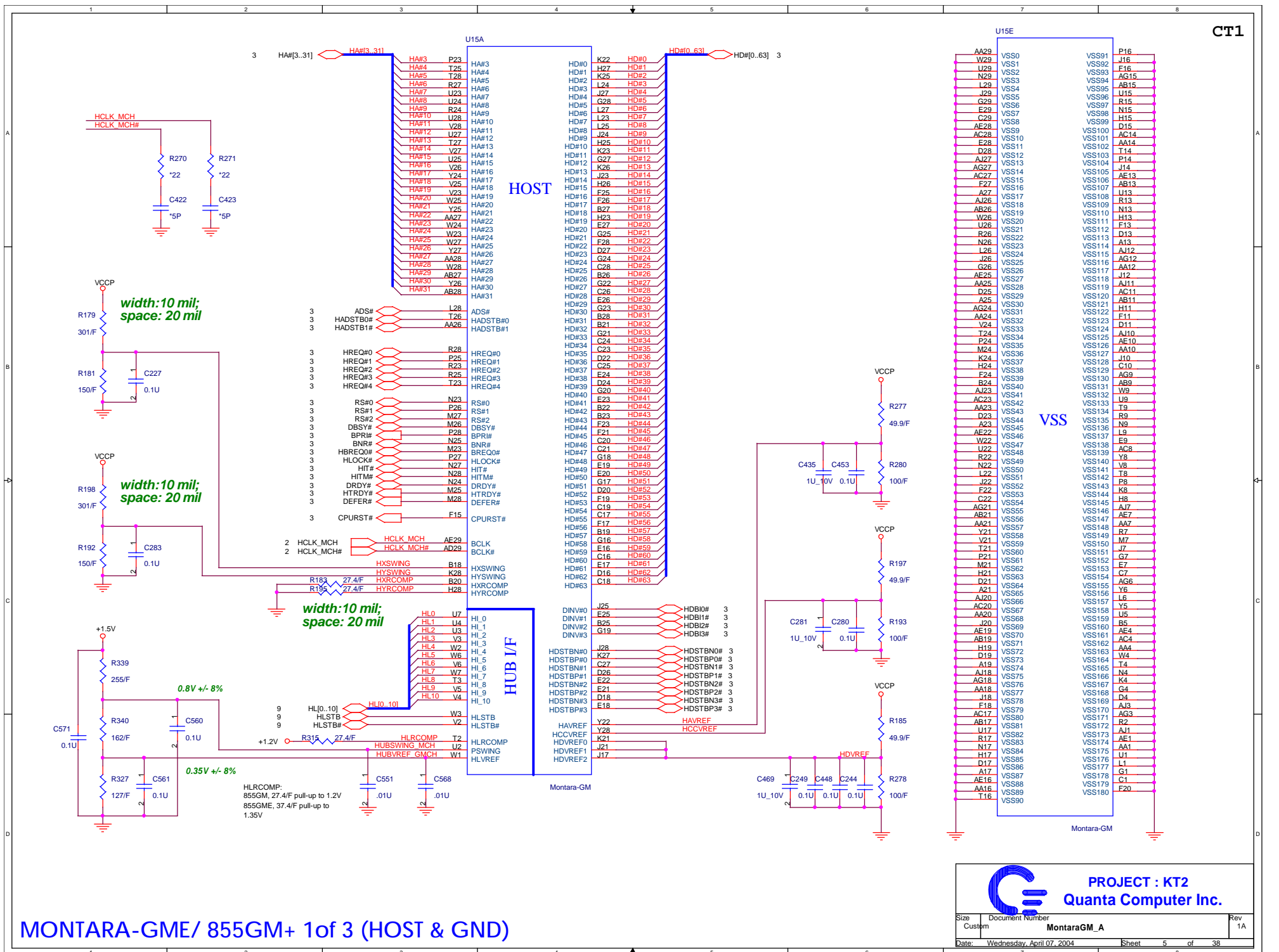


PROJECT : KT2
Quanta Computer Inc.

Size Custom	Document Number	Rev 1A
CLOCK GENERATOR		
Date: Wednesday, April 07, 2004	Sheet 2 of 38	



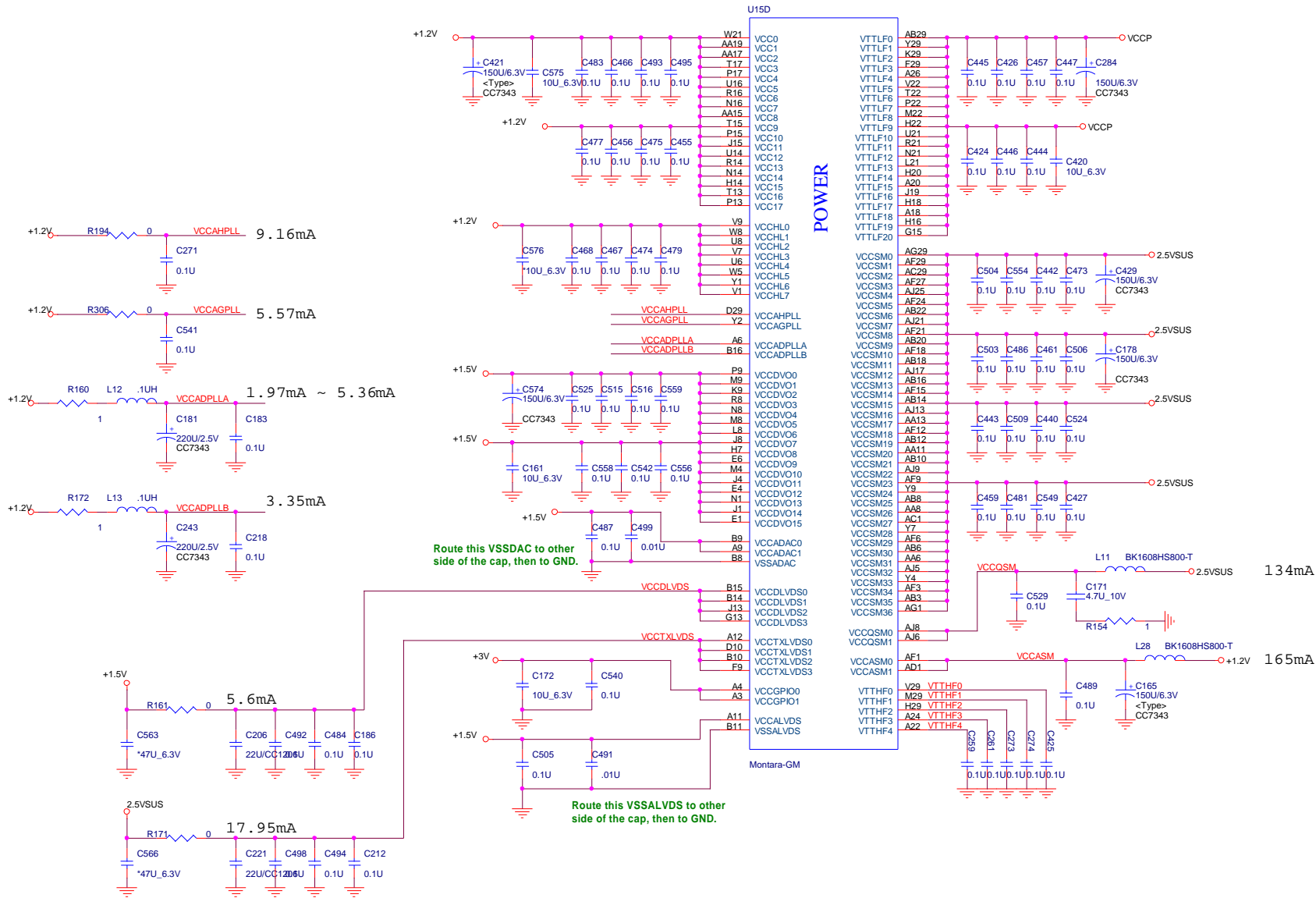




MONTARA-GME/ 855GM+ 1of 3 (HOST & GND)


PROJECT : KT2
Quanta Computer Inc.

Size: Custom Document Number: **MontaraGM_A** Rev: 1A
 Date: Wednesday, April 07, 2004 Sheet: 5 of 38



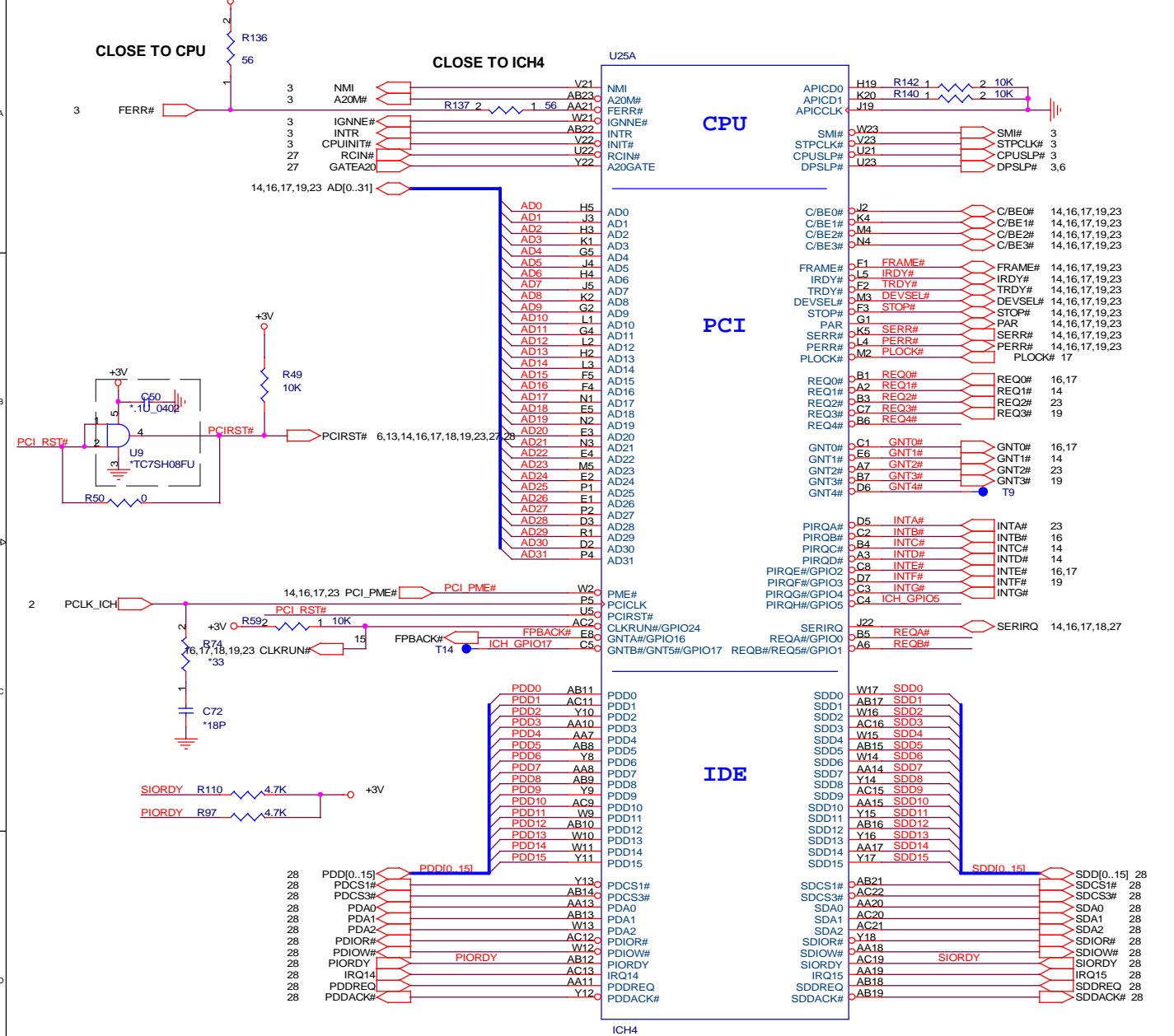
change +2.5v to 2.5vsus

MONTARA-GME/ 855GM+ 3 of 3 (POWER & CAP.)

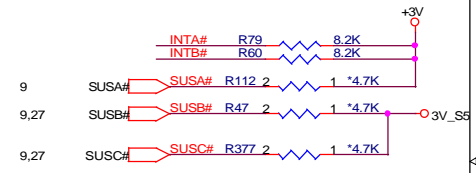
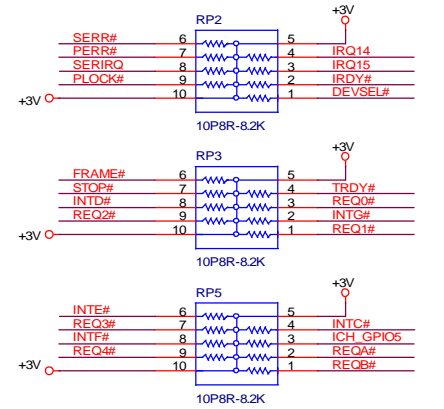
		PROJECT : KT2 Quanta Computer Inc.	

ICH4-M 1/3 (CPU, PCI, IDE)

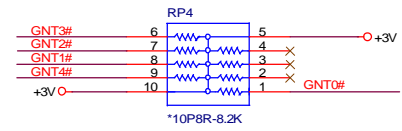
CT1



PCI Bus pull high resistor

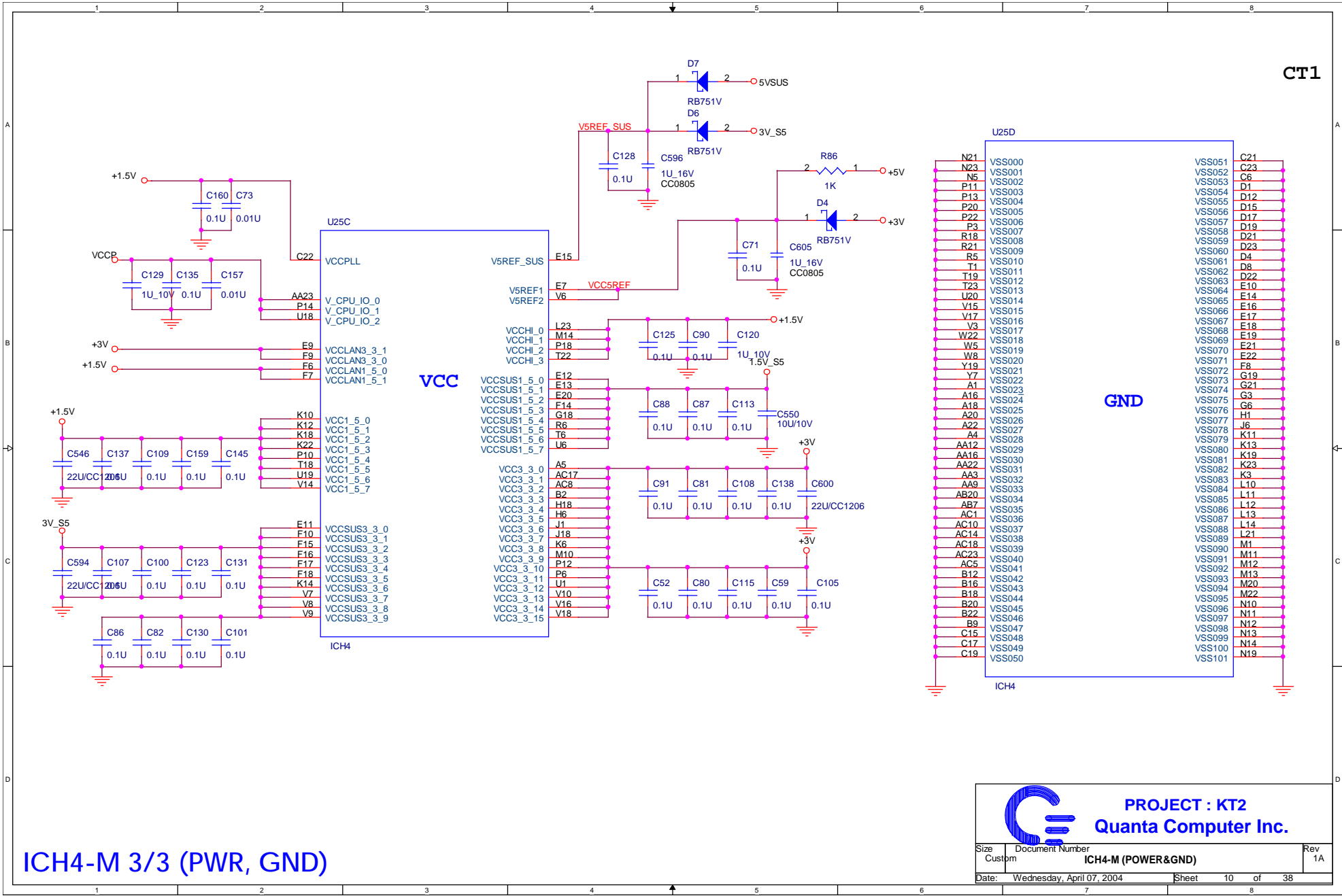


PME CIRCUIT



PROJECT : KT2
Quanta Computer Inc.

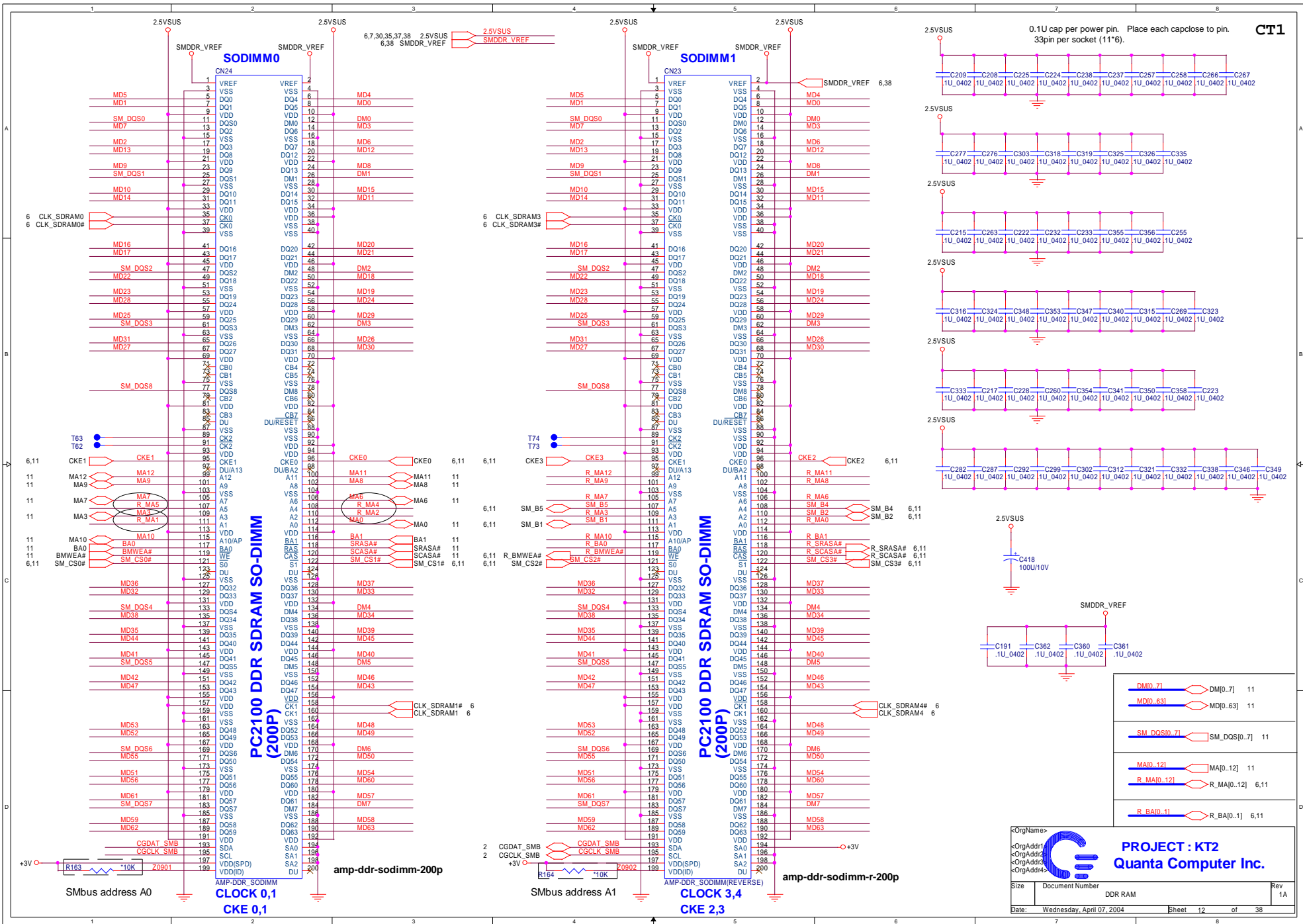
Size	Document Number	Rev
Custom	ICH4-M (CPU,PCI,IDE)	1A
Date: Wednesday, April 07, 2004		Sheet 8 of 38



ICH4-M 3/3 (PWR, GND)

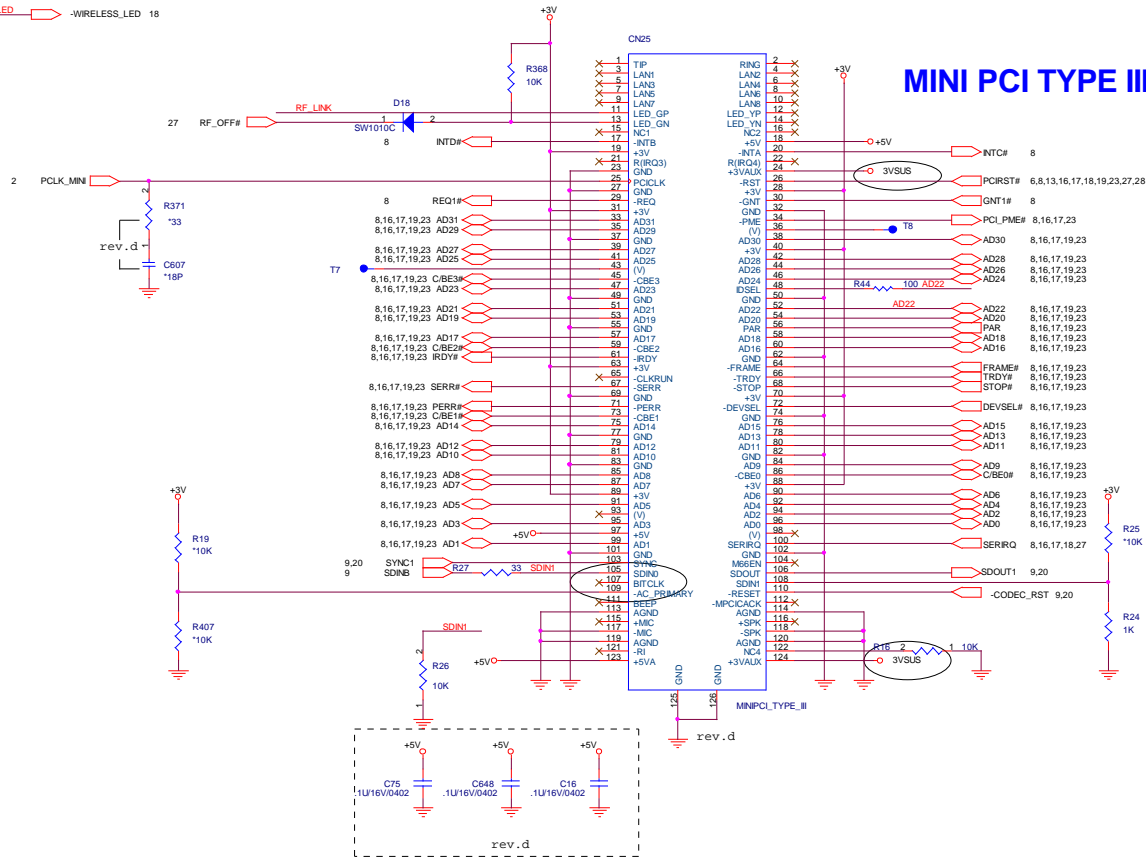
PROJECT : KT2
Quanta Computer Inc.

Size	Document Number	Rev
Custom	ICH4-M (POWER&GND)	1A
Date:	Wednesday, April 07, 2004	Sheet 10 of 38

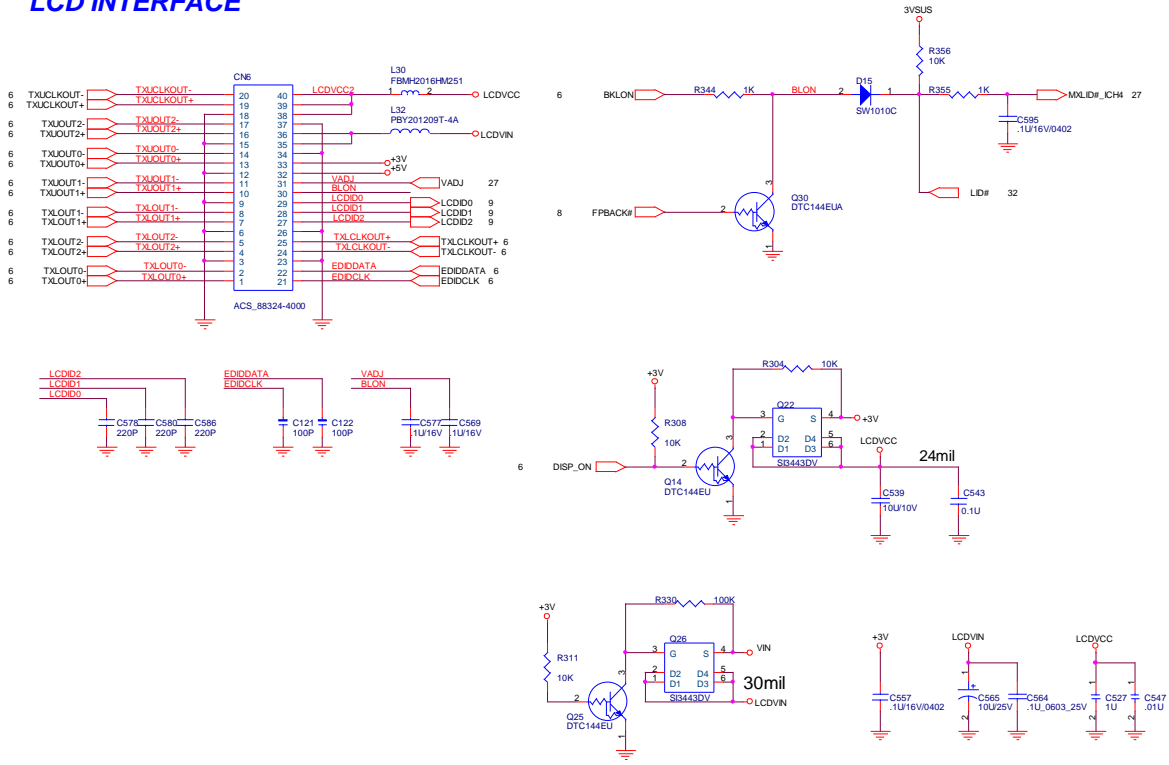


PROJECT : KT2
Quanta Computer Inc.

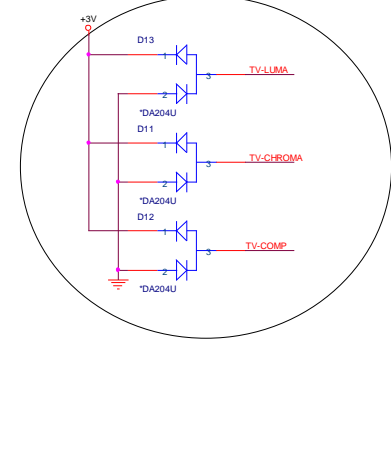
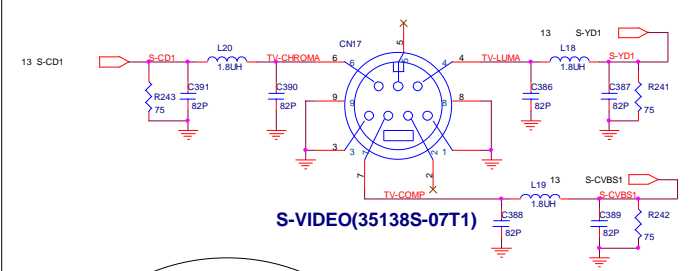
Size	Document Number	DDR RAM	Rev
			1A
Date:	Wednesday, April 07, 2004	Sheet 12	of 38



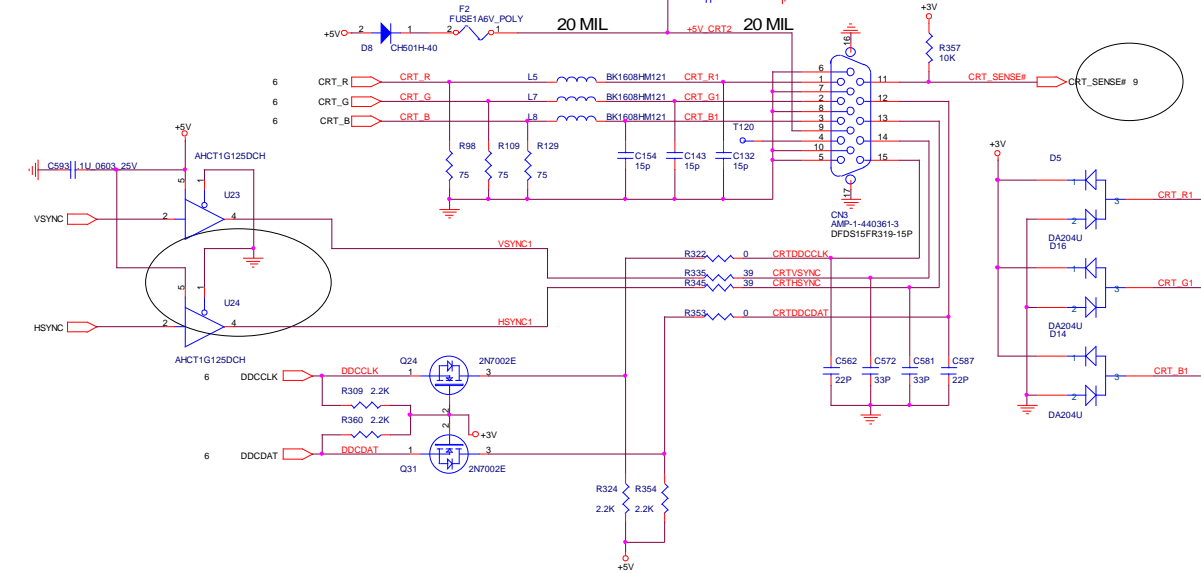
LCD INTERFACE



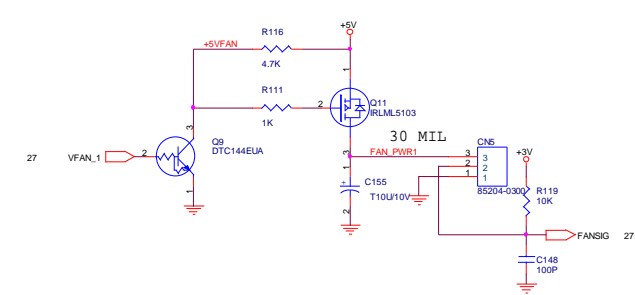
S-VIDEO CONNECTOR



CRT PORT

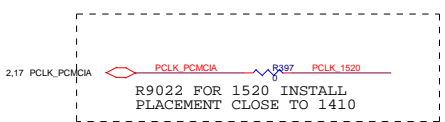


FAN CONTROL

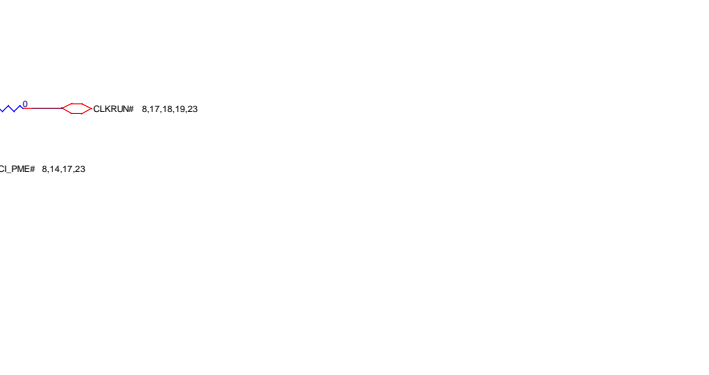
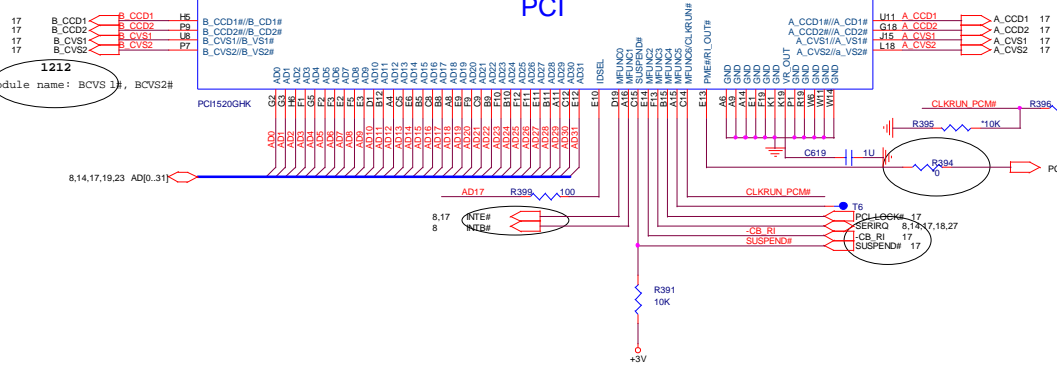
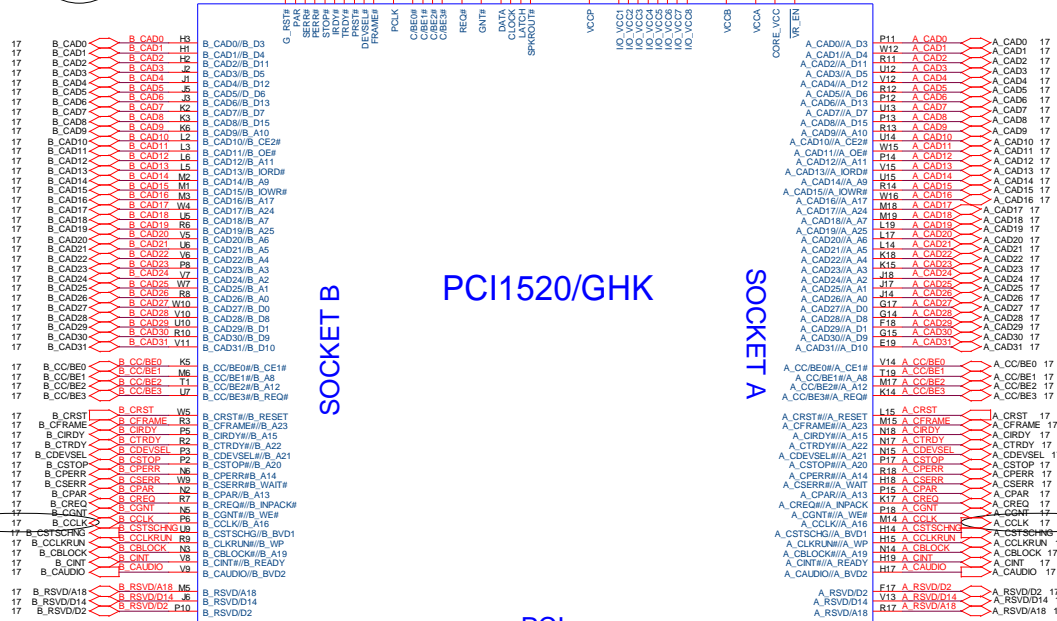
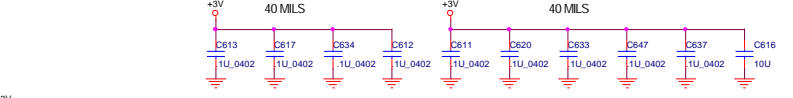
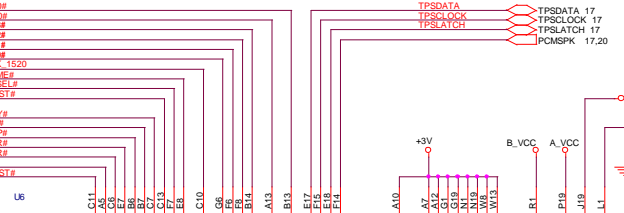


PROJECT : KT2
Quanta Computer Inc.

Size	Document Number	Rev
C	15-LCD, CRT, S-VIDEO, FAN	1/A
Date	Wednesday, April 07, 2004	Sheet 15 of 38

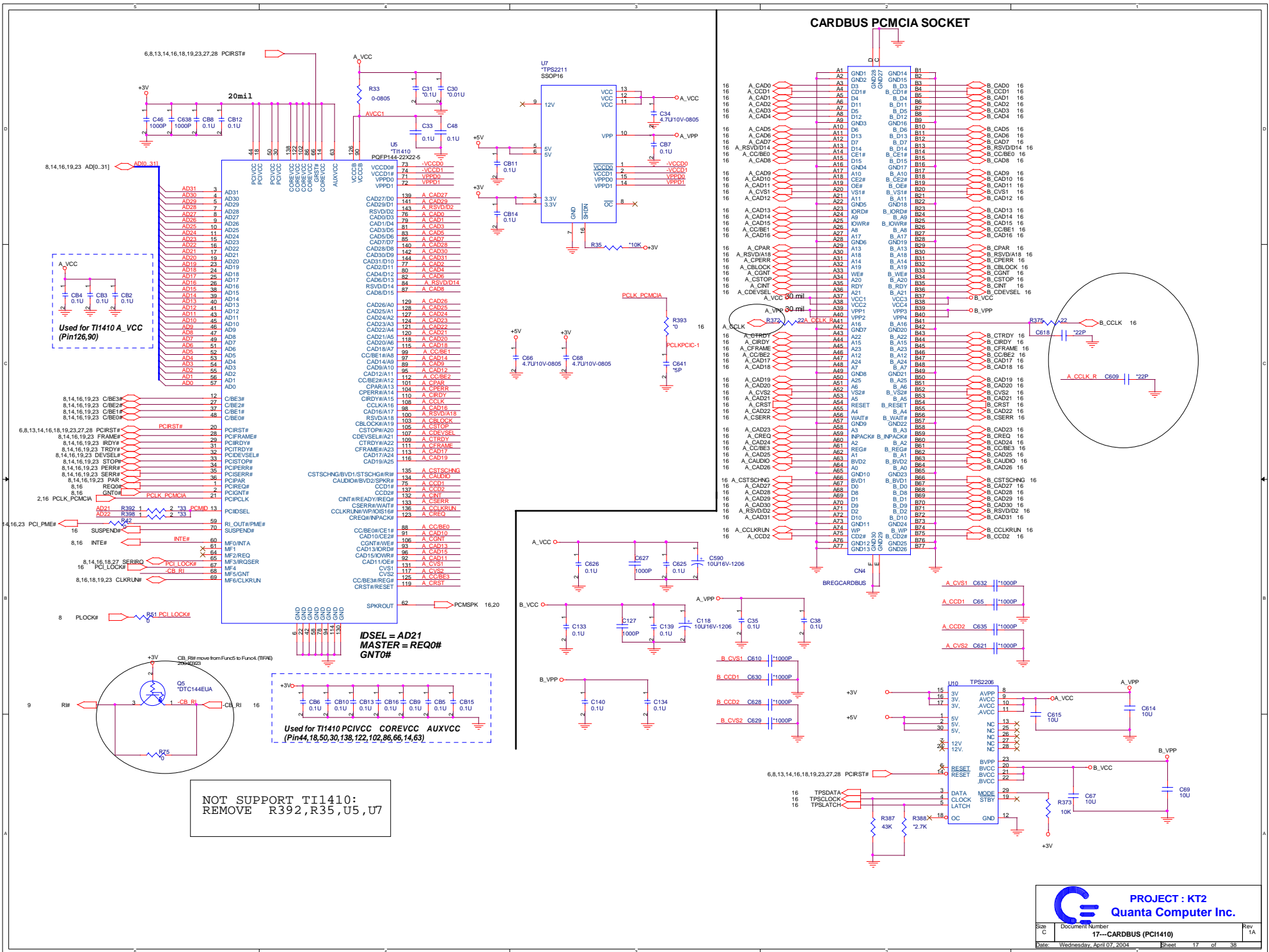


- 8.17 GNT0#
- 8.17 REQ0#
- 8.14,17,19,23 CBE3#
- 8.14,17,19,23 CBE2#
- 8.14,17,19,23 CBE1#
- 8.14,17,19,23 CBE0#
- 8.14,17,19,23 FRAME#
- 8.14,17,19,23 DEVSSEL#
- 6.8,13,14,17,18,19,23,27,28 PCRSST#
- 8.14,17,19,23 TRDY#
- 8.14,17,19,23 RDY#
- 8.14,17,19,23 STOP#
- 8.14,17,19,23 PERR#
- 8.14,17,19,23 SERR#
- 8.14,17,19,23 PAR#
- 6.8,13,14,17,18,19,23,27,28 PCRSST#

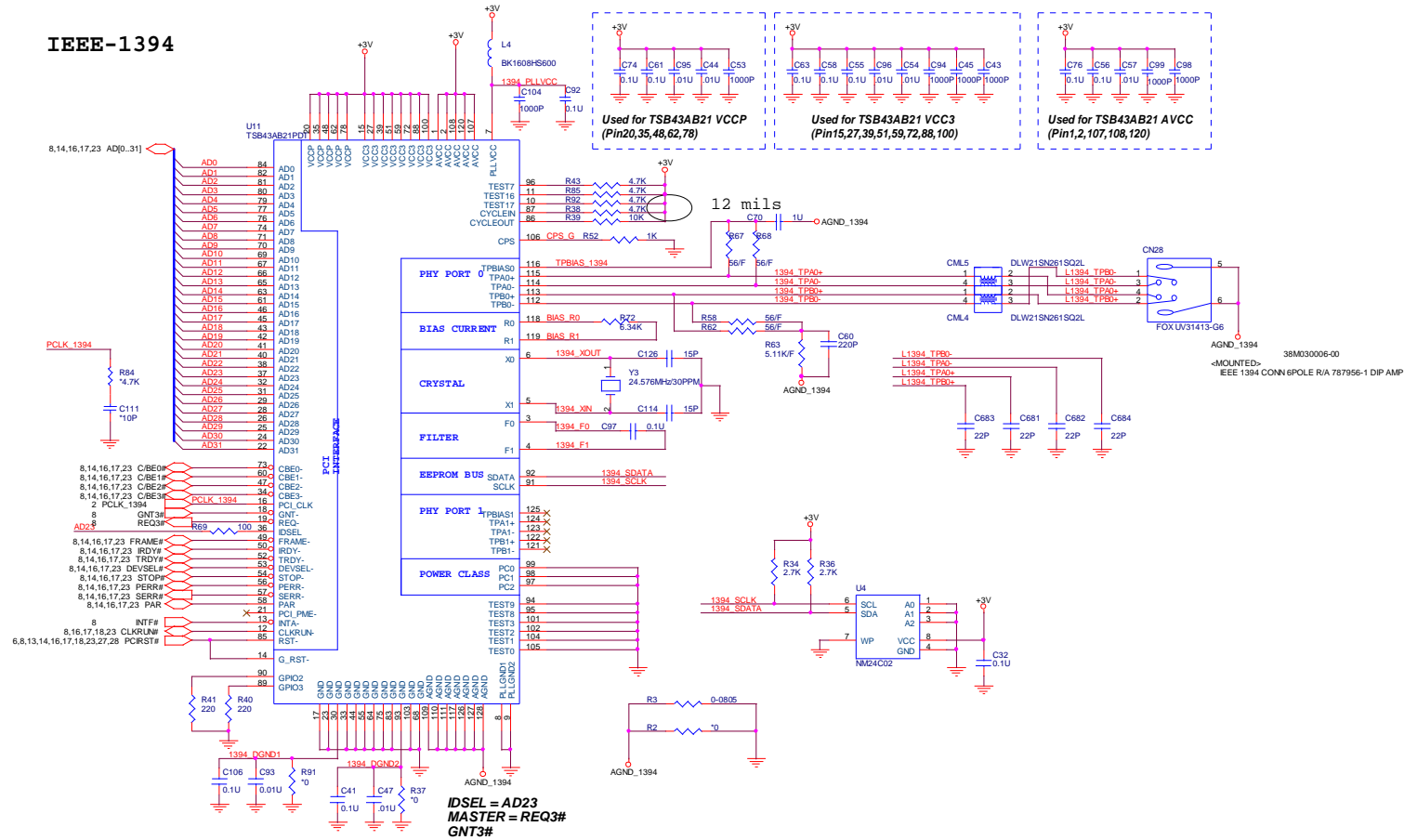


PROJECT : KT2
Quanta Computer Inc.

Size C Document Number 16-CARBUS (PCI1520) Rev 1/A
 Date: Wednesday, April 07, 2004 Sheet 16 of 38



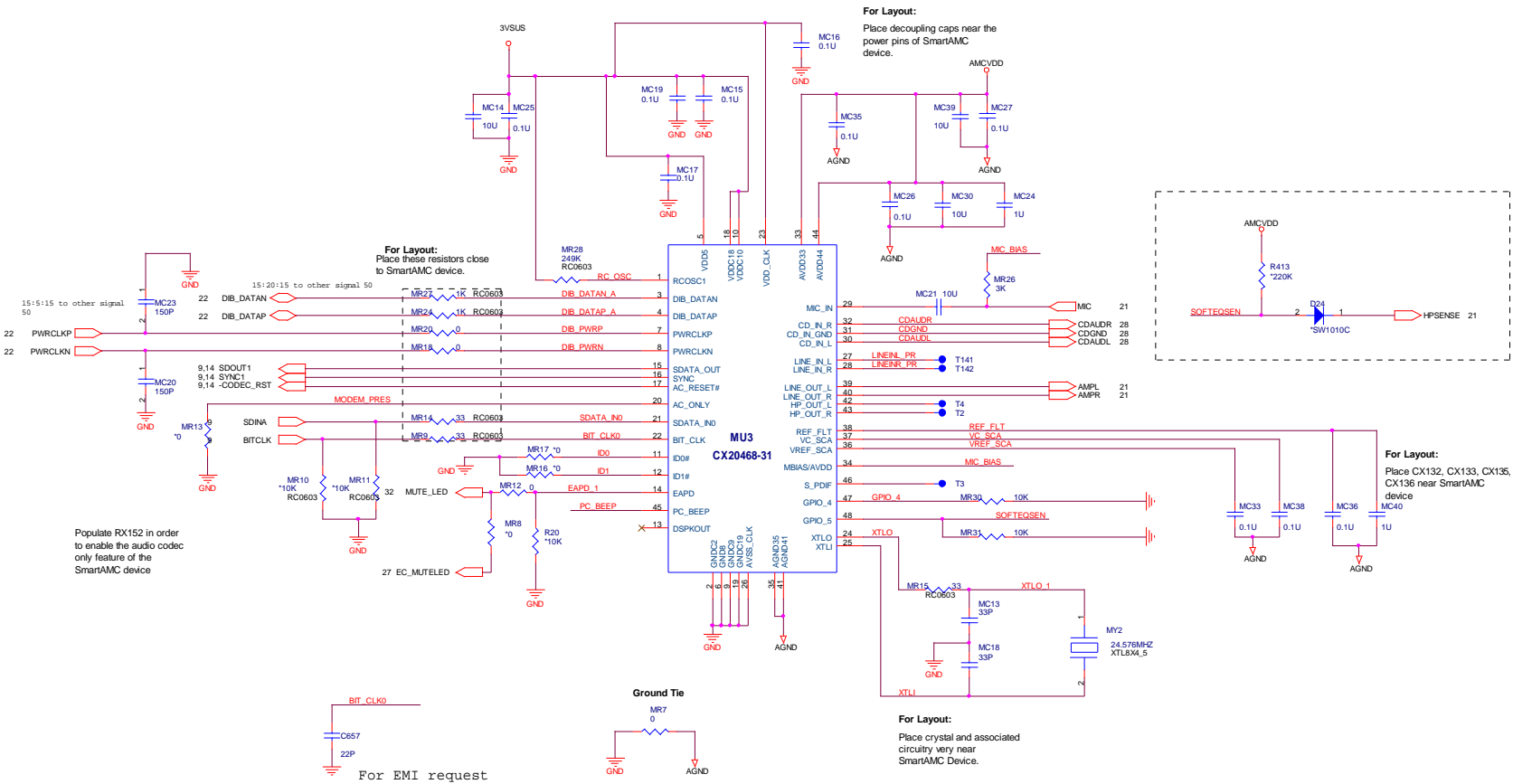
IEEE-1394



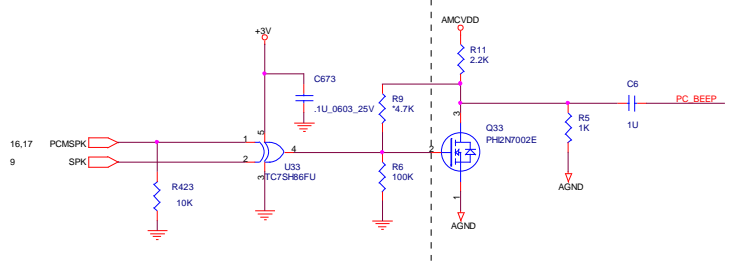
ISEL = AD23
 MASTER = REQ3#
 GNT3#

PROJECT : KT2
Quanta Computer Inc.

Size C Document Number 19-IEEE1394a (43AB21A) Rev 1A
 Date: Wednesday, April 07, 2004 Sheet 19 of 38



PC SPEAKER

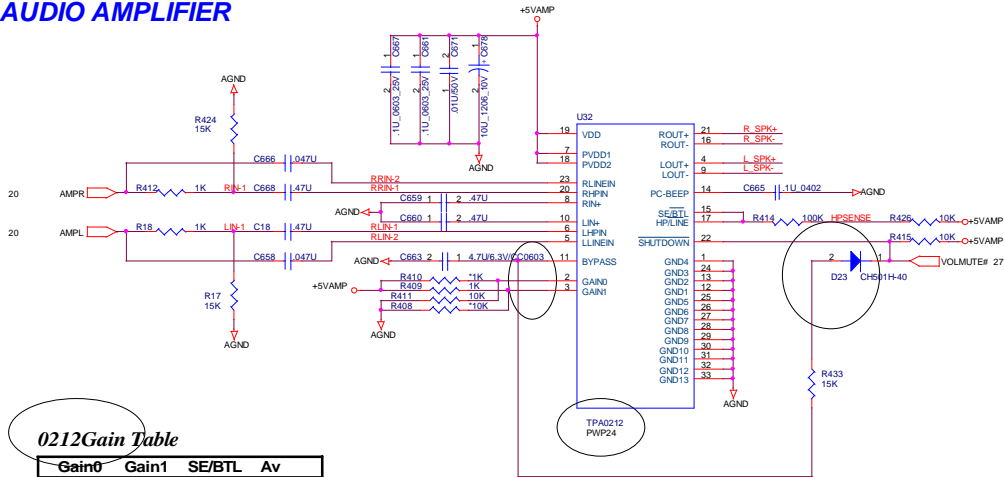


- CX20468-21: ADD R9026, MR9, MR19
REMOVE MR8, R9025, D8
- CX20468-31: ADD MR8, R9025, D8
REMOVE R9026, MR9, MR19
- CX20468-31 without software EQ:
ADD MR8, MR9
REMOVE R9025, D8

PROJECT : KT2
Quanta Computer Inc.

Size	Document Number	Rev
C	20--AC97 CTRL_CONEXANT20468-31	1A
Date:	Wednesday, April 07, 2004	Sheet 20 of 38

AUDIO AMPLIFIER

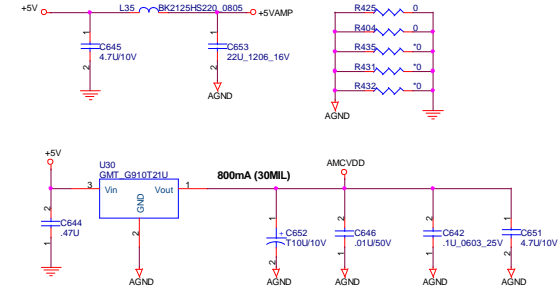
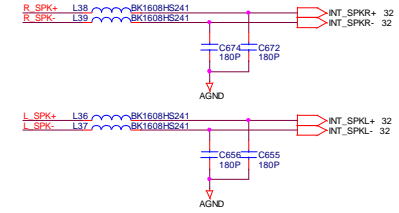


0212Gain Table

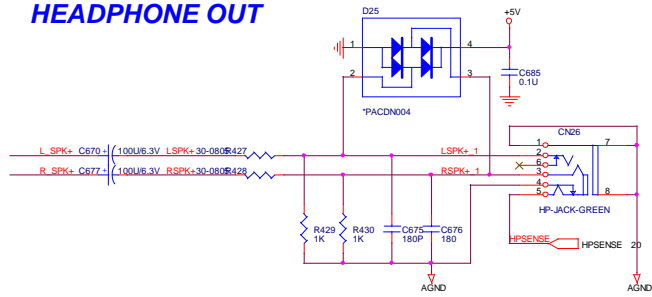
Gain0	Gain1	SE/BTL	Av
0	0	0	6dB
0	1	0	15.6dB
1	0	0	21.6dB
1	1	0	27.6dB
X	X	1	4.1dB

Priority:
 1. Port-replicator headphone is 1st priority
 2. Notebook headphone is 2nd priority
 3. Notebook internal speaker is 3rd priority
 2004/03/20

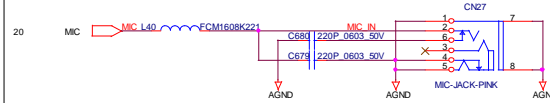
INTERNAL SPK



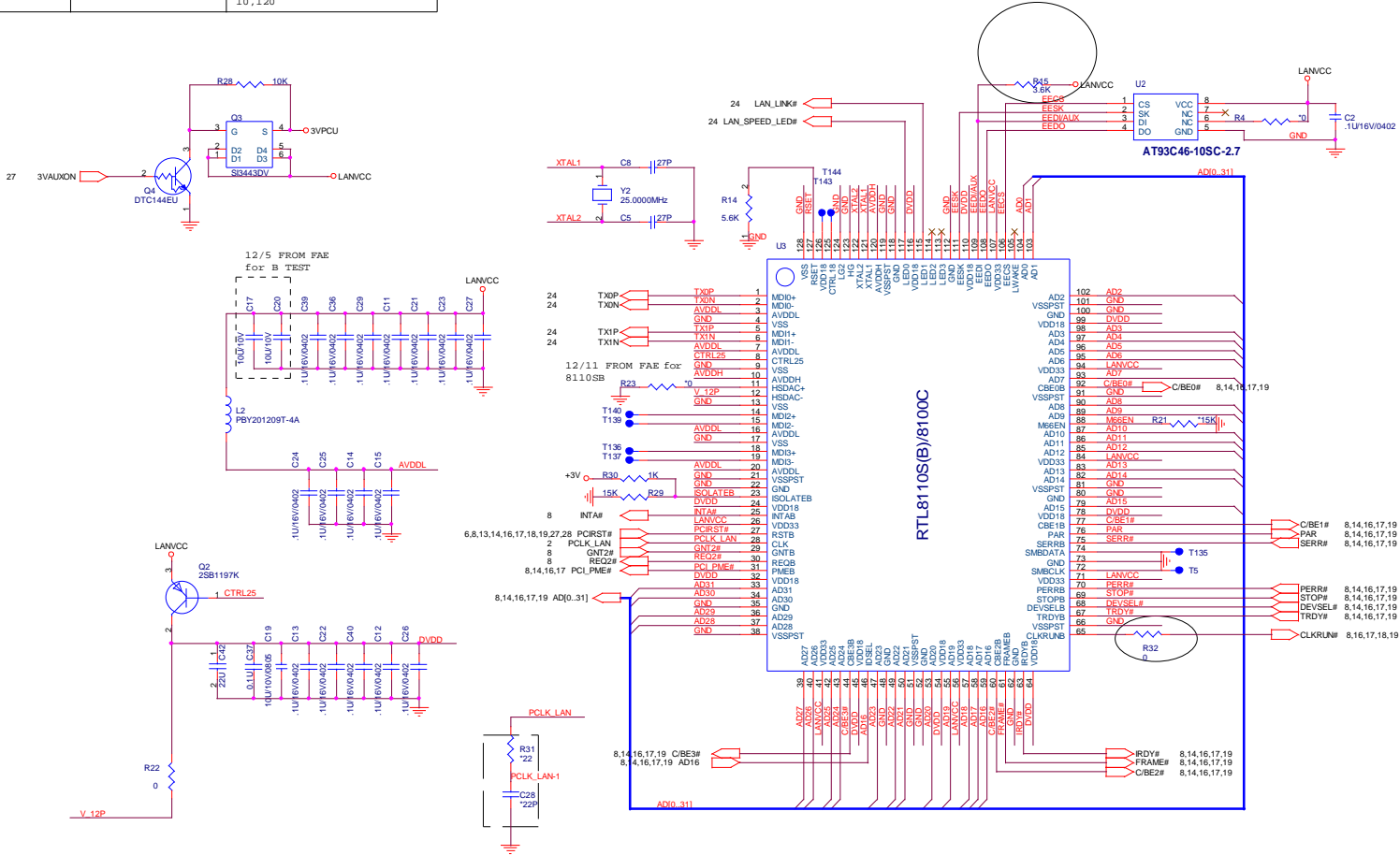
HEADPHONE OUT



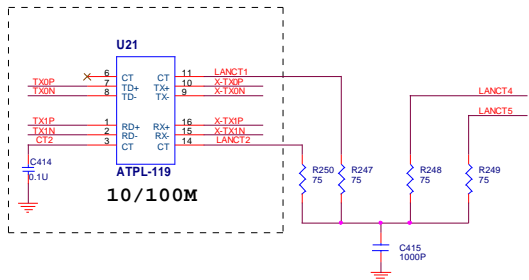
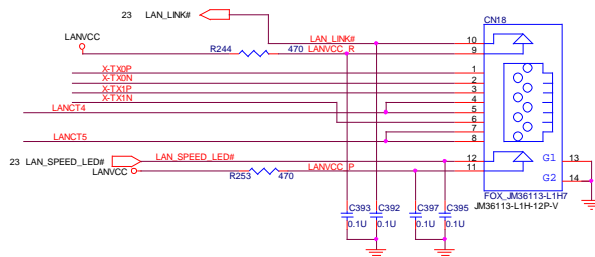
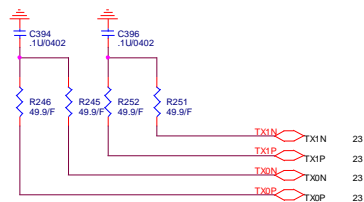
MICROPHONE



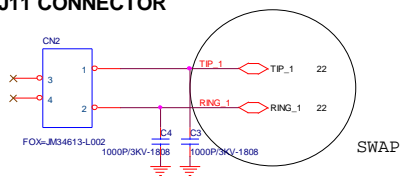
	8100CL(10/100M)	8110SB(1G)
DVDD33	3.3VD 26,41,56,71,84,94,107	3.3VD 26,41,56,71,84,94,107
AVDDL	3.3VA 3,7,20	2.5VA 3,7,20,16
DVDD	2.5VD 32,54,78,99	1.8VD 32,54,78,99,24,45,64,130,116,126
AVDD25	2.5VA 12	NC
AVDDH	NC	3.3VA 10,120




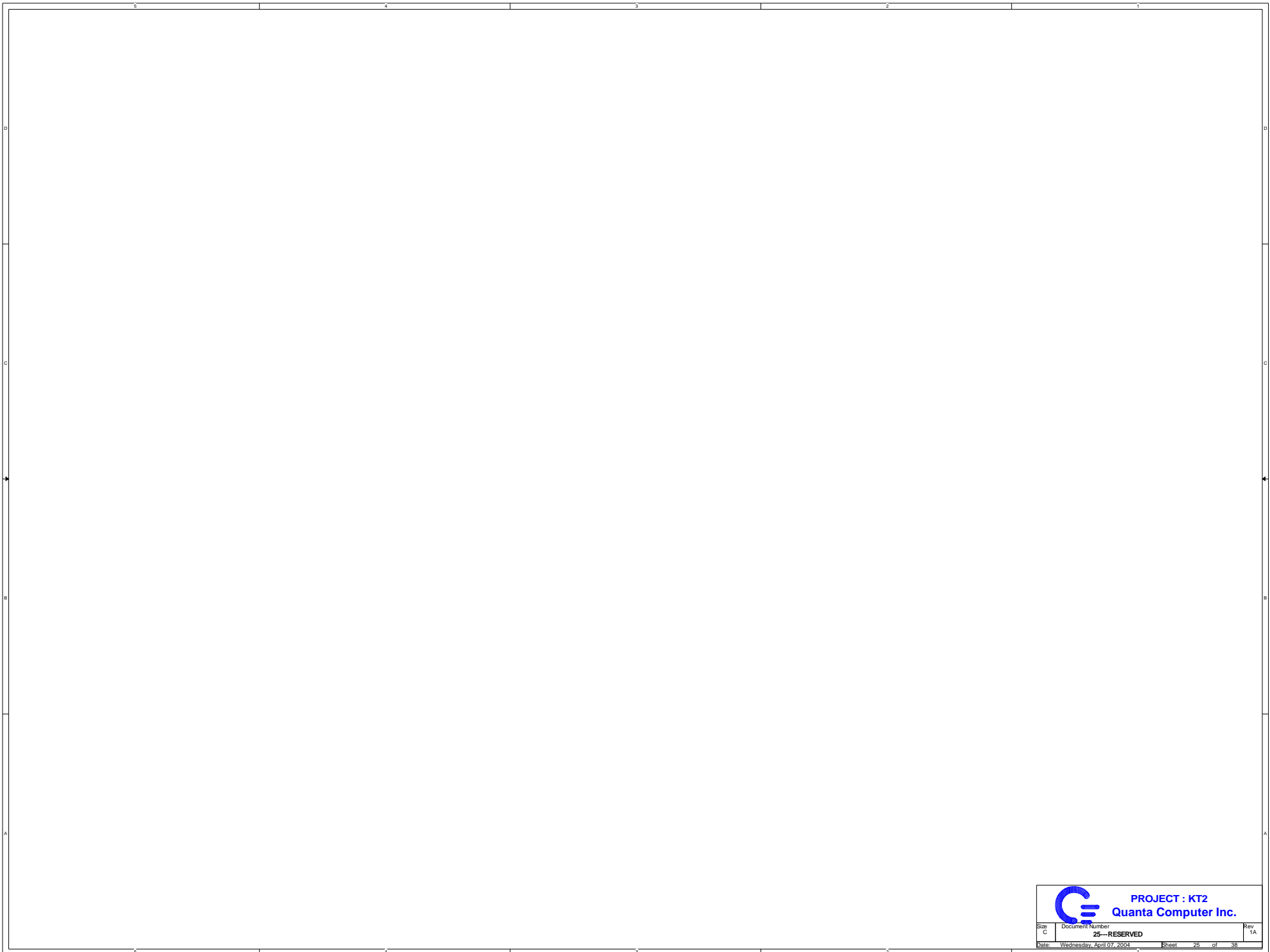
Close to Chip




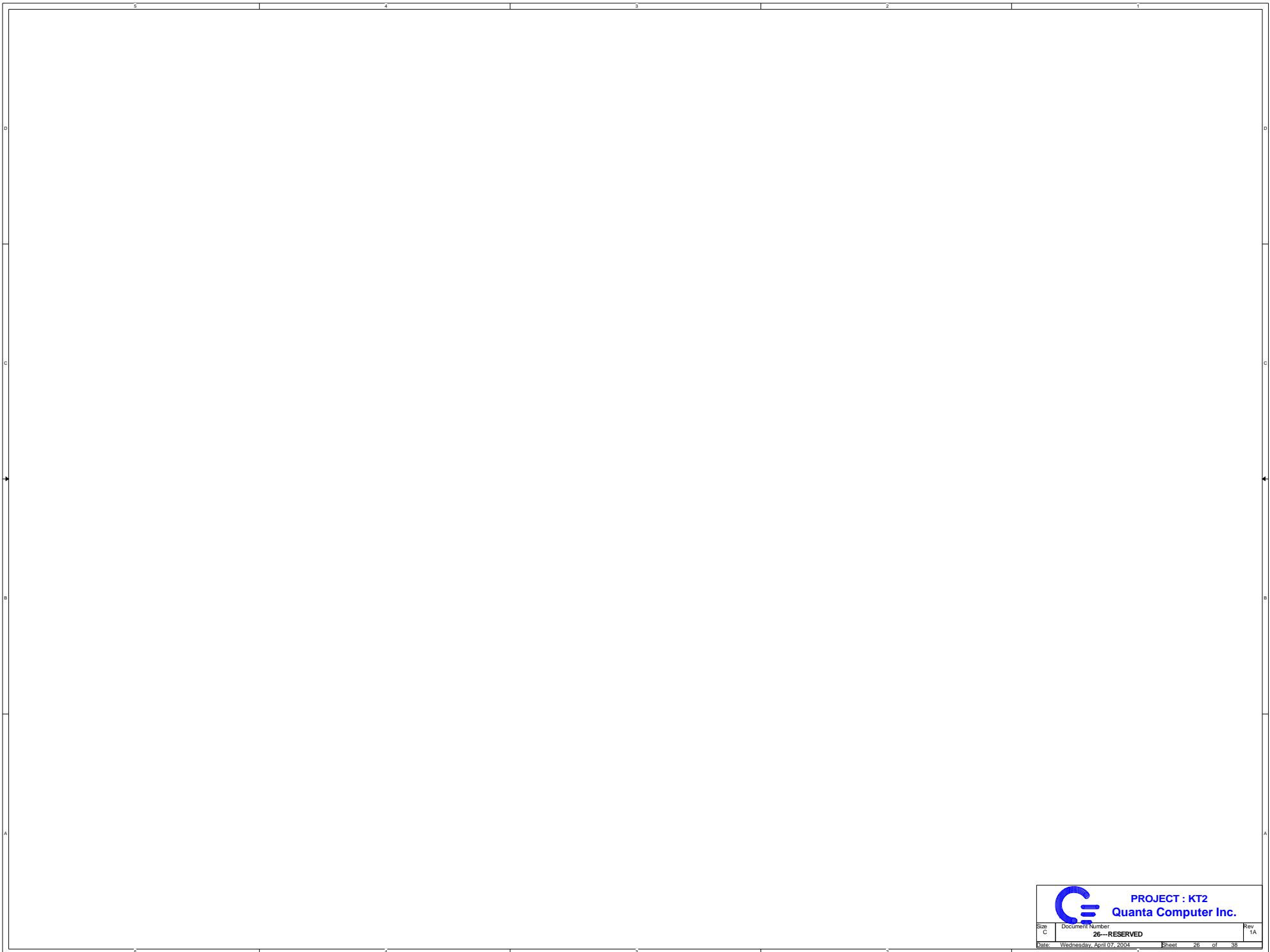
RJ11 CONNECTOR




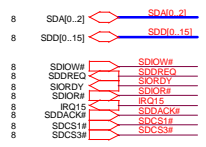
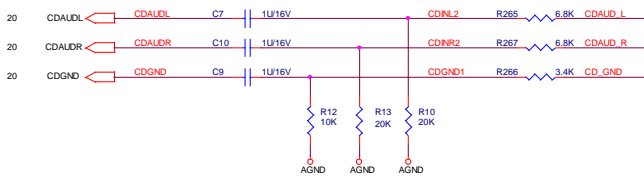
		PROJECT : KT2	
		Quanta Computer Inc.	
Size	Document Number	Rev	TA
C	24--LAN (RJ11 & RJ45)		
Date	Wednesday, April 07, 2004	Sheet	24 of 38



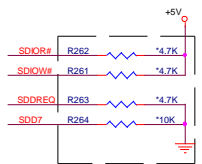
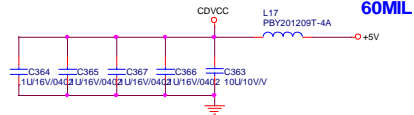
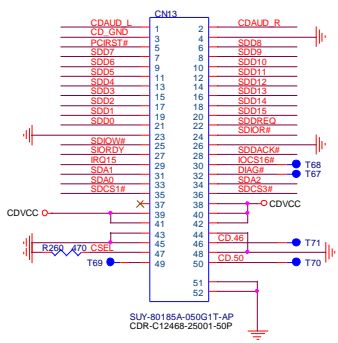
		PROJECT : KT2	
		Quanta Computer Inc.	
Size	Document Number	Rev	Rev
C	25-RESERVED	1A	1A
Date	Wednesday, April 07, 2004	Sheet	26 of 38



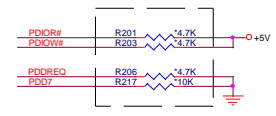
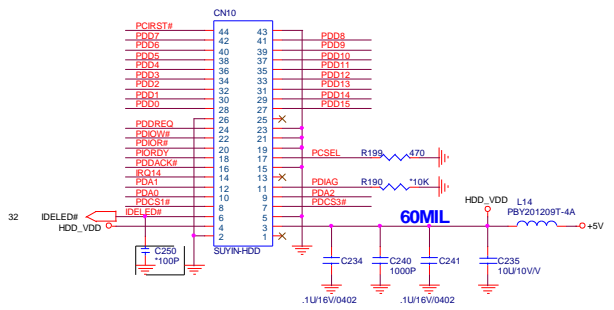
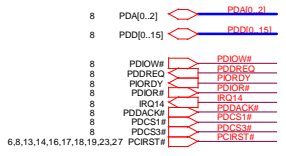
		PROJECT : KT2	
		Quanta Computer Inc.	
Size	Document Number	Rev	Rev
C	26--RESERVED	1A	1A
Date	Wednesday, April 07, 2004	Sheet	26 of 38



CD-ROM

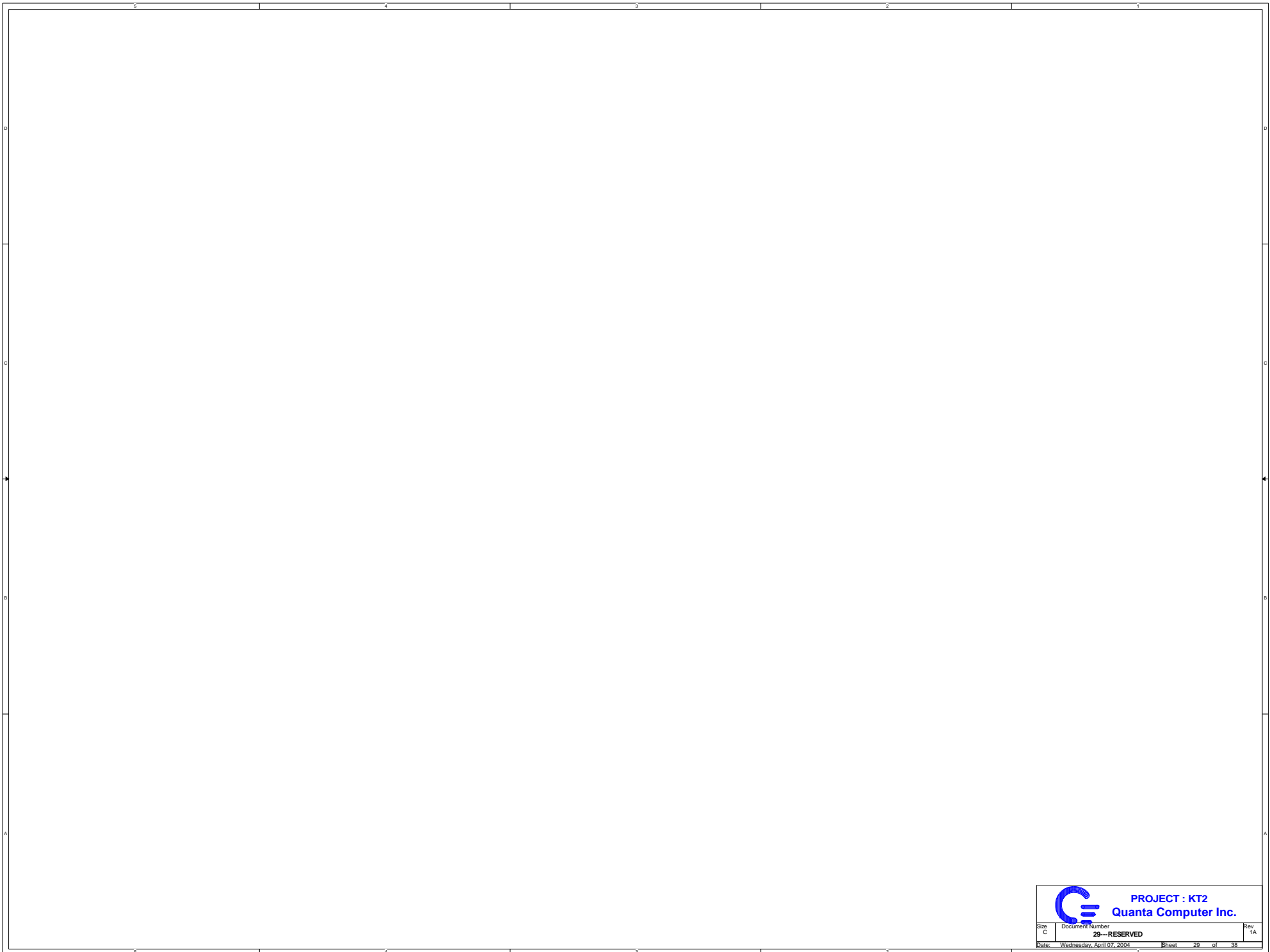



HDD CONNECTOR

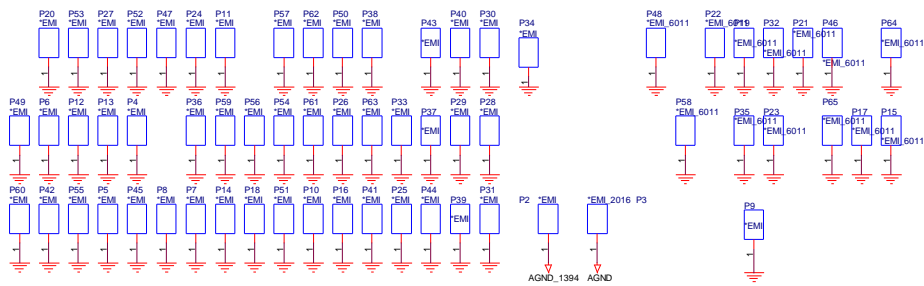
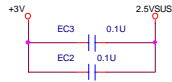
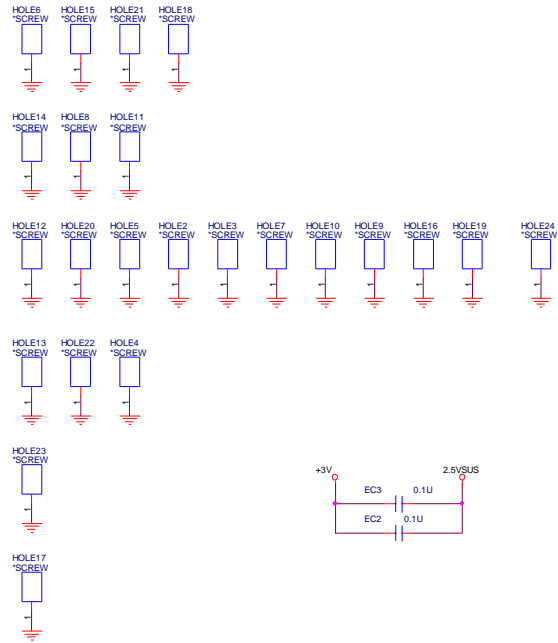


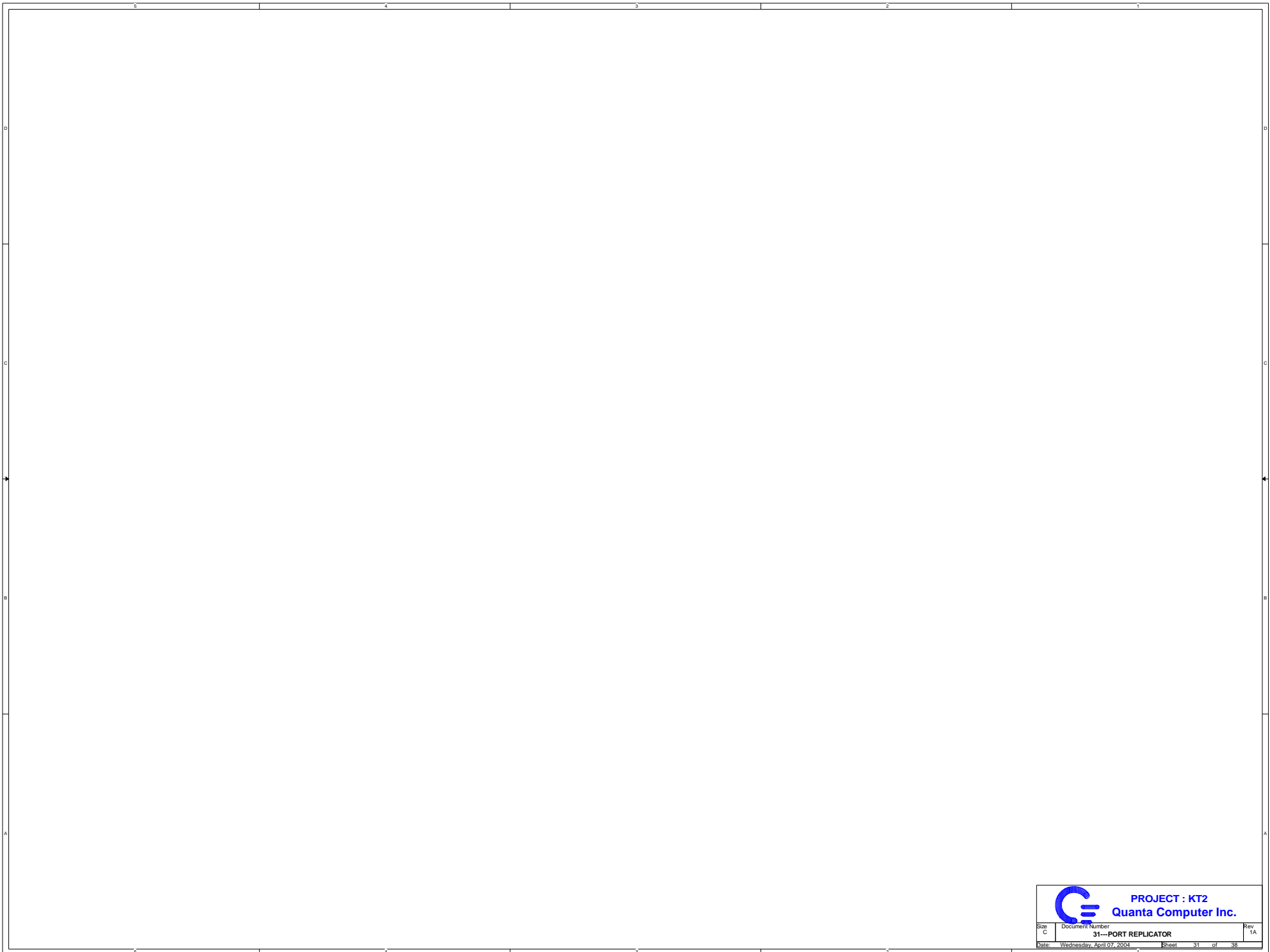
PROJECT : KT2
Quanta Computer Inc.


Size C Document Number **28--HDD_ODD** Rev 1/A
 Date: Wednesday, April 07, 2004 Sheet 28 of 38



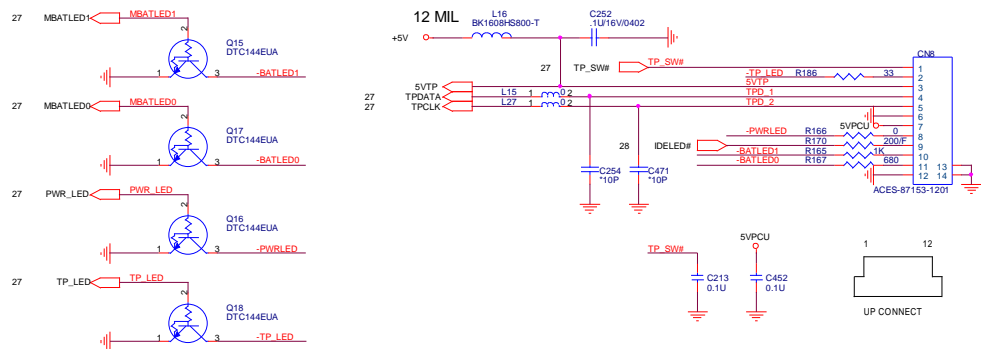
		PROJECT : KT2	
		Quanta Computer Inc.	
Size	Document Number	Rev	
C	23--RESERVED	1A	
Date	Wednesday, April 07, 2004	Sheet	29 of 38



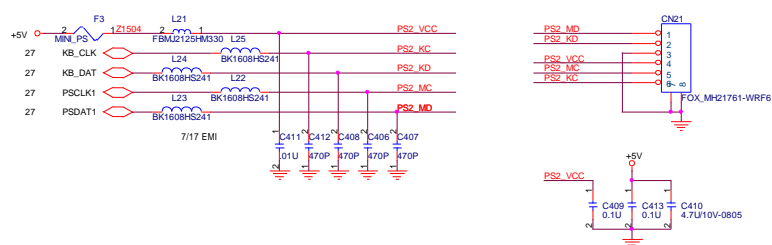


		PROJECT : KT2	
		Quanta Computer Inc.	
Size	Document Number	Rev	
C	31--PORT REPLICATOR	1A	
Date	Wednesday, April 07, 2004	Sheet	31 of 38

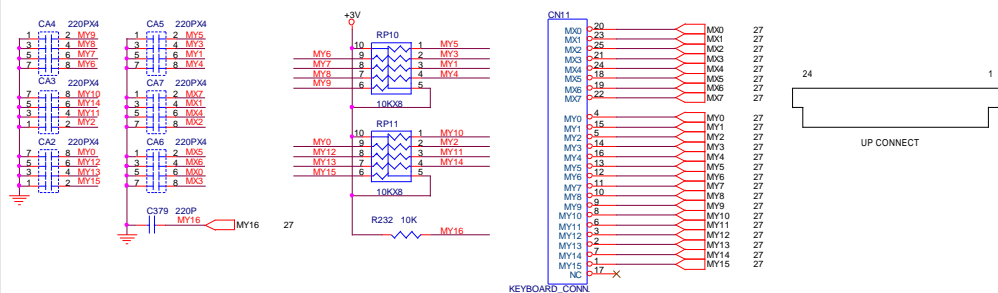
TOUCH PAD CONNECTOR

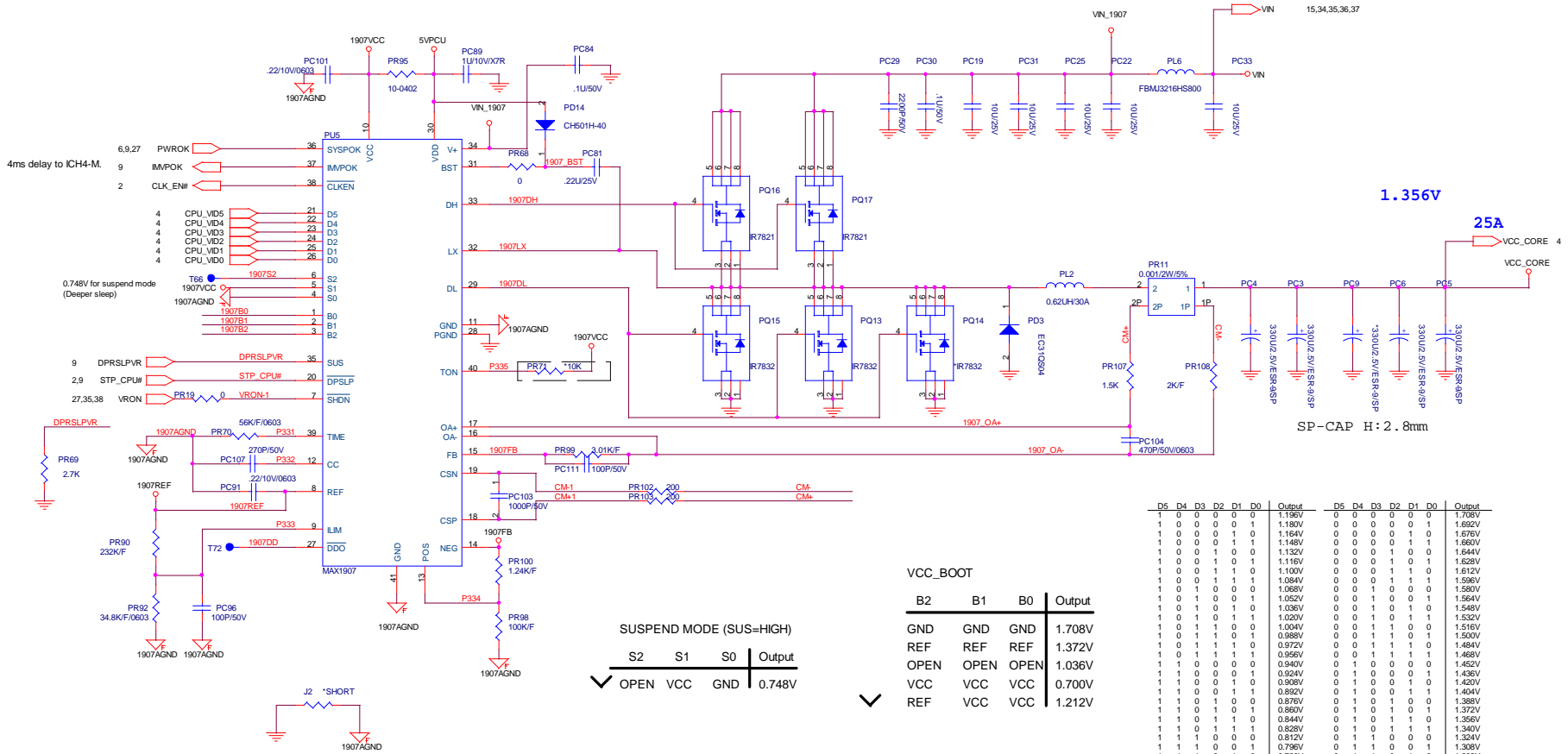


PS/2 PORT



KEYBOARD CONNECTOR





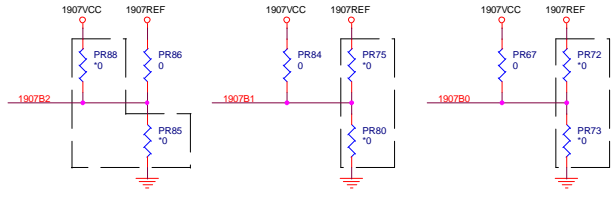
VCC_BOOT

B2	B1	B0	Output
GND	GND	GND	1.708V
REF	REF	REF	1.372V
OPEN	OPEN	OPEN	1.036V
VCC	VCC	VCC	0.700V
REF	VCC	VCC	1.212V

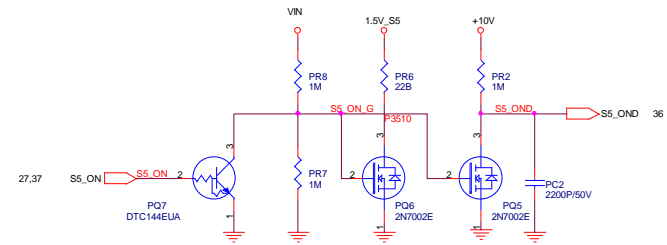
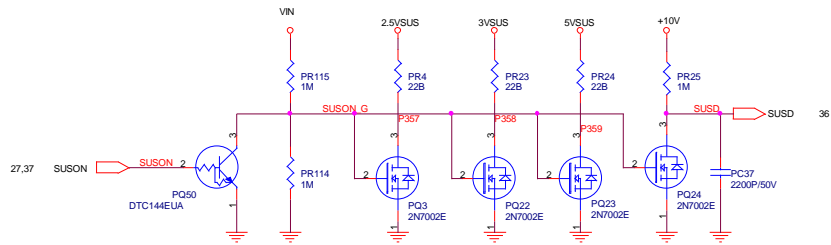
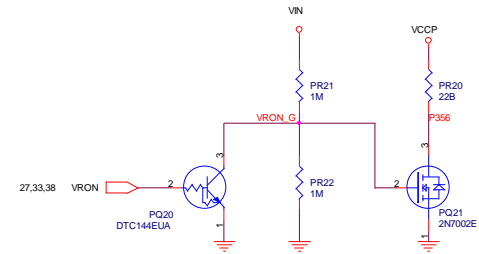
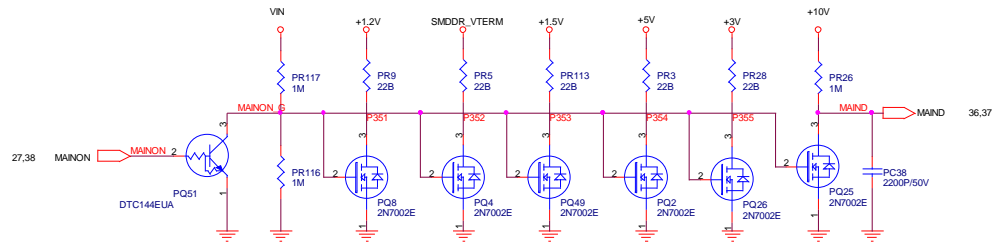
SUSPEND MODE (SUS=HIGH)

S2	S1	S0	Output
✓ OPEN	VCC	GND	0.748V

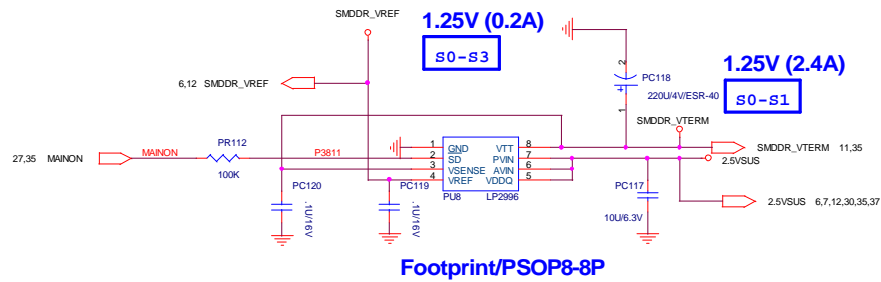
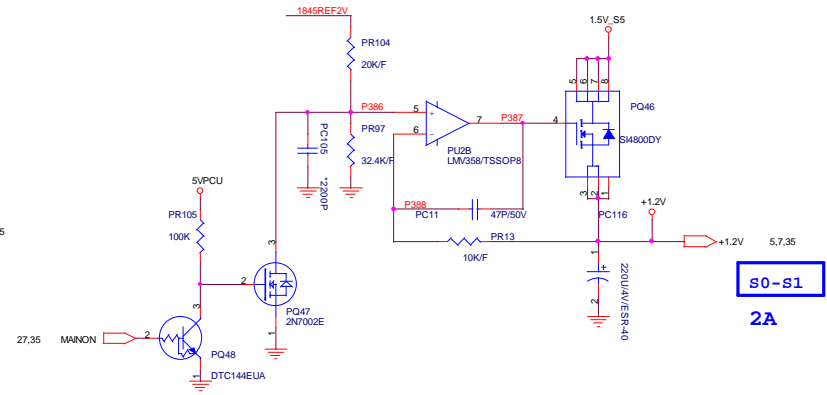
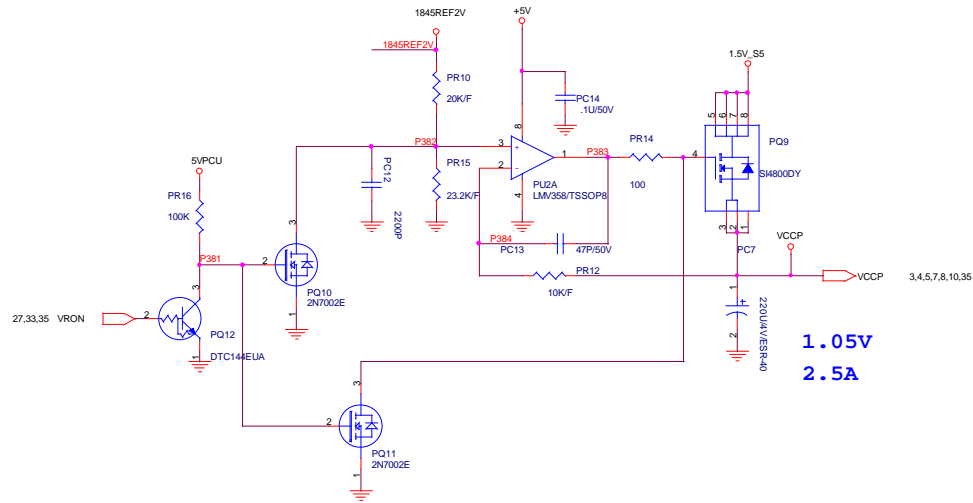
D5	D4	D3	D2	D1	D0	Output	D5	D4	D3	D2	D1	D0	Output
1	0	0	0	0	0	1.186V	0	0	0	0	0	0	1.708V
1	0	0	0	0	1	1.180V	0	0	0	0	0	1	1.692V
1	0	0	0	1	0	1.164V	0	0	0	0	1	0	1.676V
1	0	0	0	1	1	1.148V	0	0	0	0	1	1	1.660V
1	0	0	1	0	0	1.132V	0	0	0	1	0	0	1.644V
1	0	0	1	0	1	1.116V	0	0	0	1	0	1	1.628V
1	0	0	1	1	0	1.100V	0	0	0	1	1	0	1.612V
1	0	0	1	1	1	1.084V	0	0	0	1	1	1	1.596V
1	0	1	0	0	0	1.068V	0	0	1	0	0	0	1.580V
1	0	1	0	0	1	1.052V	0	0	1	0	0	1	1.564V
1	0	1	0	1	0	1.036V	0	0	1	0	1	0	1.548V
1	0	1	0	1	1	1.020V	0	0	1	0	1	1	1.532V
1	0	1	1	0	0	1.004V	0	0	1	1	0	0	1.516V
1	0	1	1	0	1	0.988V	0	0	1	1	0	1	1.500V
1	0	1	1	1	0	0.972V	0	0	1	1	1	0	1.484V
1	0	1	1	1	1	0.956V	0	0	1	1	1	1	1.468V
1	1	0	0	0	0	0.940V	0	1	0	0	0	0	1.452V
1	1	0	0	0	1	0.924V	0	1	0	0	0	1	1.436V
1	1	0	0	1	0	0.908V	0	1	0	0	1	0	1.420V
1	1	0	0	1	1	0.892V	0	1	0	0	1	1	1.404V
1	1	0	1	0	0	0.876V	0	1	0	1	0	0	1.388V
1	1	0	1	0	1	0.860V	0	1	0	1	0	1	1.372V
1	1	0	1	1	0	0.844V	0	1	0	1	0	1	1.356V
1	1	0	1	1	1	0.828V	0	1	0	1	1	1	1.340V
1	1	1	0	0	0	0.812V	0	1	1	0	0	0	1.324V
1	1	1	0	0	1	0.796V	0	1	1	0	1	0	1.308V
1	1	1	0	1	0	0.780V	0	1	1	0	1	0	1.292V
1	1	1	0	1	1	0.764V	0	1	1	0	1	1	1.276V
1	1	1	1	0	0	0.748V	0	1	1	1	0	0	1.260V
1	1	1	1	0	1	0.732V	0	1	1	1	0	1	1.244V
1	1	1	1	1	0	0.716V	0	1	1	1	1	0	1.228V
1	1	1	1	1	1	0.700V	0	1	1	1	1	1	1.212V



Title		
<Title>		
Size	Document Number	Rev
Customer/Doc#		<Rev/Code>
Date:	Wednesday, April 07, 2004	Sheet 33 of 38



Title		
<Title>		
Size	Document Number	Rev
Customr/Doc>		<Rev Code>
Date:	Wednesday, April 07, 2004	Sheet 35 of 38



Title		
<Title>		
Size	Document Number	Rev
Customer/Doc		<Rev Code>
Date:	Wednesday, April 07, 2004	Sheet 38 of 38