

# DAV3 GENBUS\_W LOGIC SCHEMATICS

- 1. TITLE PAGE
- 2. EC HISTORY
- 3. CPU(1/3)
- 4. CPU(2/3)
- 5. CPU(3/3)
- 6. ITP CON/LARGE PTH HOLE/EMI FINGER
- 7. CRESTLINE(1/7) : HOST I/F
- 8. CRESTLINE(2/7) : DDR2-A
- 9. CRESTLINE(3/7) : DDR2-B
- 10. CRESTLINE(4/7) : PEG/DMI
- 11. CRESTLINE(5/7) : GRAPHICS
- 12. CRESTLINE(6/7) : VCC
- 13. CRESTLINE(7/7) : GND
- 14. POWER FOR CRESTLINE
- 15. DDR2 SODIMM-A
- 16. DDR2 SODIMM-B
- 17. DDR2 TERMINATION
- 18. DDR2 DECOUPLING
- 19. CLOCK GEN(ICS954309)
- 20. DVI TRANSMITTER
- 21. CRT DDC CLK/DATA
- 22. WPAN LED CONTROL
- 23. MEDIA CARD SLOT (4IN-1)
- 24. <BLANK PAGE>
- 25. <BLANK PAGE>
- 26. <BLANK PAGE>
- 27. <BLANK PAGE>
- 28. LCD CONNECTOR
- 29. EXT CRT INTERFACE
- 30. PATA I/F PU
- 31. ICH8-M(1/4) : DMI/PCI/LPC/AC97
- 32. ICH8-M(2/4) : ATA/USB/PM
- 33. ICH8-M(3/4) : PCI EXPRESS
- 34. ICH8-M(4/4) : VCC/GND
- 35. FWB, RTC BATTERY
- 36. SATA HDD CONN
- 37. BAY I/F CONN
- 38. USB POWER/CONN
- 39. AUDIO AD1981HD
- 40. AUDIO MISC
- 41. AUDIO INT MIC
- 42. AUDIO HP & EXT MIC CONN
- 43. AUDIO EXT MIC AMP
- 44. AUDIO SPEAKER
- 45. AUDIO HDP AMP MAX9789A(1/2)
- 46. AUDIO HDP AMP MISC(2/2)
- 47. CDC CONNECTOR

- 48. CARDBUS CONTROLLER(1/2)
- 49. CARDBUS CONTROLLER(2/2)
- 50. CARDBUS/EXC SLOT
- 51. CARDBUS/EXC PWR CTRL
- 52. GBE LAN SW
- 53. GBE NINEVEH(1/2)
- 54. MICRO PCIE CONN
- 55. GBE MAGNETICS
- 56. RJ11/RJ45 CONNECTOR
- 57. MINI PCI SLOT
- 58. EEPROM/FLASH/SHARED
- 59. DOCKING CONNECTOR
- 60. H8S/2116B (1/2)
- 61. H8S/2116B (2/2)
- 62. KEYBOARD CONNECTOR
- 63. TOUCH PAD CONNECTOR
- 64. MISC G/A (PMH7)
- 65. SUPER I/O (PC87385)
- 66. WIRELESS DISABLE SW
- 67. LEGACY IO INTERFACE
- 68. <BLANK PAGE>
- 69. THERMAL SENSOR
- 70. I2CBUS/SMBUS
- 71. FAN CONTROL
- 72. G-SENSOR
- 73. EMC DECOUPLING
- 74. RGB SWITCH
- 75. DC-IN
- 76. BATTERY CHARGER (MAX8765)
- 77. CHARGE SELECTOR
- 78. BATTERY INPUT
- 79. BATTERY MONITOR
- 80. POWER SEQUENCE
- 81. DC-DC VCC3M/VCC5M (MAX17003)
- 82. DC-DC VCCCPUCORE (ADP3207)
- 83. VCCCPUCORE DECOUPLING
- 84. VCC1R05M(BD3508)
- 85. DC-DC VCCGFXCORE (ADP3209)
- 86. DC-DC VCC1R8M/VCC0R9A (MAX8632)
- 87. DC-DC VCC1R05M/VCC1R5M (MAX1540)
- 88. DC-DC VCC1R25AMT (BD3508)
- 89. LOAD SW AMT/LAN
- 90. CLPWRG
- 91. RINKAN-1
- 92. LOAD SW VIDEO
- 93. LOAD SW A&AUX
- 94. LOAD SW B&UBAY
- 95. MAX POWER CTRL

**VER 5.13**

**FEB/08/2007**

- 96. POWER MOMITOR
- 97. PTH FOR SCREW HOLES
- 98. LOAD SW VCC3KDDI

REL	DATE	EC NO.	PART NO.
	02/08/07	L11412	42W9239
			DEVELOPMENT NO.
			Q/M
			1 / 98

DESIGNER	Y. Y	02/08/07	PART NO.	42W9239
CHECKED	Y. I	02/08/07	TITLE	GENBU-5W
APPROVED	H. K	02/08/07	TITLE PAGE	
CLASS	H. K	02/08/07	TITLE PAGE	

THIS DOCUMENT IS THE PROPERTY OF LENOVO. IT IS LOANED TO YOU FOR USE ONLY. IT IS NOT TO BE REPRODUCED OR TRANSMITTED IN ANY FORM OR BY ANY MEANS, ELECTRONIC OR MECHANICAL, INCLUDING PHOTOCOPYING, RECORDING, OR BY ANY INFORMATION STORAGE AND RETRIEVAL SYSTEM. FOR MORE INFORMATION, CONTACT YOUR LENOVO ACCOUNT MANAGER OR THE LENOVO PURCHASING DEPARTMENT.

# EC HISTORY

INTEG FVT (BASE LOGIC D3SDV VER.1.13  
05/25/2006 APPLIED DAV3\_SDV 060-061)

SDV

FVT

FVT\_WIDE

SIV

GENBU3\_R(BASE LOGIC SIV VER.3.10)

GENBU3\_W(BASE LOGIC GENBU3\_R VER.3.24)

GENBU4\_W(BASE LOGIC GENBU3\_W VER.3.55)

VER.5.00 09/14/2006 APPLIED DAV3\_SIT 004,006

VER.5.01 09/19/2006 APPLIED DAV3\_SIT 008,009

VER.5.02 09/22/2006 APPLIED COMMON COMPONENT NUMBER

VER.5.03 09/28/2006 APPLIED DAV3\_SIT 012

VER.4.04 10/23/2006 APPLIED DAV3\_SIT 014-017, 020-022, 024, 026, 027, 029, 030, 034, 036-038

VER.4.05 10/25/2006 APPLIED DAV3\_SIT 041-043, 047, 049, 051-054, 057-062

VER.4.06 10/26/2006 APPLIED DAV3\_SIT 055, 063, 064

VER.4.07 10/27/2006 APPLIED DAV3\_SIT 066, 067

VER.4.08 11/01/2006 APPLIED DAV3\_SIT 071-073

VER.4.09 11/02/2006 APPLIED DAV3\_SIT 074-077

VER.4.10 11/06/2006 APPLIED DAV3\_SIT 079-086, 088

VER.4.11 11/07/2006 APPLIED DAV3\_SIT 089-094

VER.4.12 11/08/2006 APPLIED DAV3\_SIT 087, 095

VER.4.13 11/09/2006 APPLIED DAV3\_SIT 096-100

VER.4.14 11/13/2006 APPLIED DAV3\_SIT 102, 065

VER.4.15 11/14/2006 APPLIED DAV3\_SIT 103, 104

VER.4.16 11/15/2006 APPLIED DAV3\_SIT 105, 106

VER.4.17 11/16/2006 APPLIED DAV3\_SIT 108, 109

VER.4.18 11/17/2006 CANCELED SIT\_EC075

VER.4.19 11/20/2006 APPLIED DAV3\_SIT 110-113, 115

VER.4.20 11/21/2006 APPLIED DAV3\_SIT 116, 117, 119-121-124

VER.4.21 11/24/2006 APPLIED DAV3\_SIT 126, 127, 128

VER.4.22 11/27/2006 APPLIED DAV3\_SIT 131

VER.4.23 11/29/2006 APPLIED DAV3\_SIT 132, 139

VER.4.24 11/30/2006 APPLIED DAV3\_SIT 140, 141

VER.4.25 12/01/2006 APPLIED DAV3\_SIT 145

VER.4.26 12/04/2006 APPLIED DAV3\_SIT 146, 148-150

VER.4.27 12/18/2006 APPLIED DAV3\_SIT 155, 156, 157(P2, P3), 158, 159, 164, 166

GENBU5\_W(BASE LOGIC GENBU4\_W VER.4.27)

VER.5.00 12/26/2006 APPLIED DAV3\_SIT 153, 157(P1), 159, 168, 170, 172-174

VER.5.01 12/28/2006 APPLIED DAV3\_SIT 177

VER.5.02 01/15/2007 APPLIED DAV3\_SIT 180-182, SVT\_001

VER.5.03 01/17/2007 APPLIED DAV3\_SIT 183, SVT 005-007, 009

VER.5.04 01/22/2007 APPLIED DAV3\_SVT 013-016

VER.5.05 01/23/2007 APPLIED DAV3\_SVT 017, 020, 021

VER.5.06 01/24/2007 APPLIED DAV3\_SVT 022

VER.5.07 01/25/2007 APPLIED DAV3\_SIT 184, SVT 023, 025

VER.5.08 01/26/2007 APPLIED DAV3\_SVT 026

VER.5.09 01/29/2007 APPLIED DAV3\_SVT 030

VER.5.10 01/30/2007 APPLIED DAV3\_SVT 032

VER.5.11 01/31/2007 APPLIED DAV3\_SVT 034, 035

VER.5.12 02/07/2007 APPLIED DAV3\_SVT 040

VER.5.13 02/08/2007 APPLIED DAV3\_SVT 042, 044

REL	DATE	EC NO.	PART NO.
	02/08/07	L11412	42W9239
			DEVELOPMENT NO.
			Q/M
			2 / 98

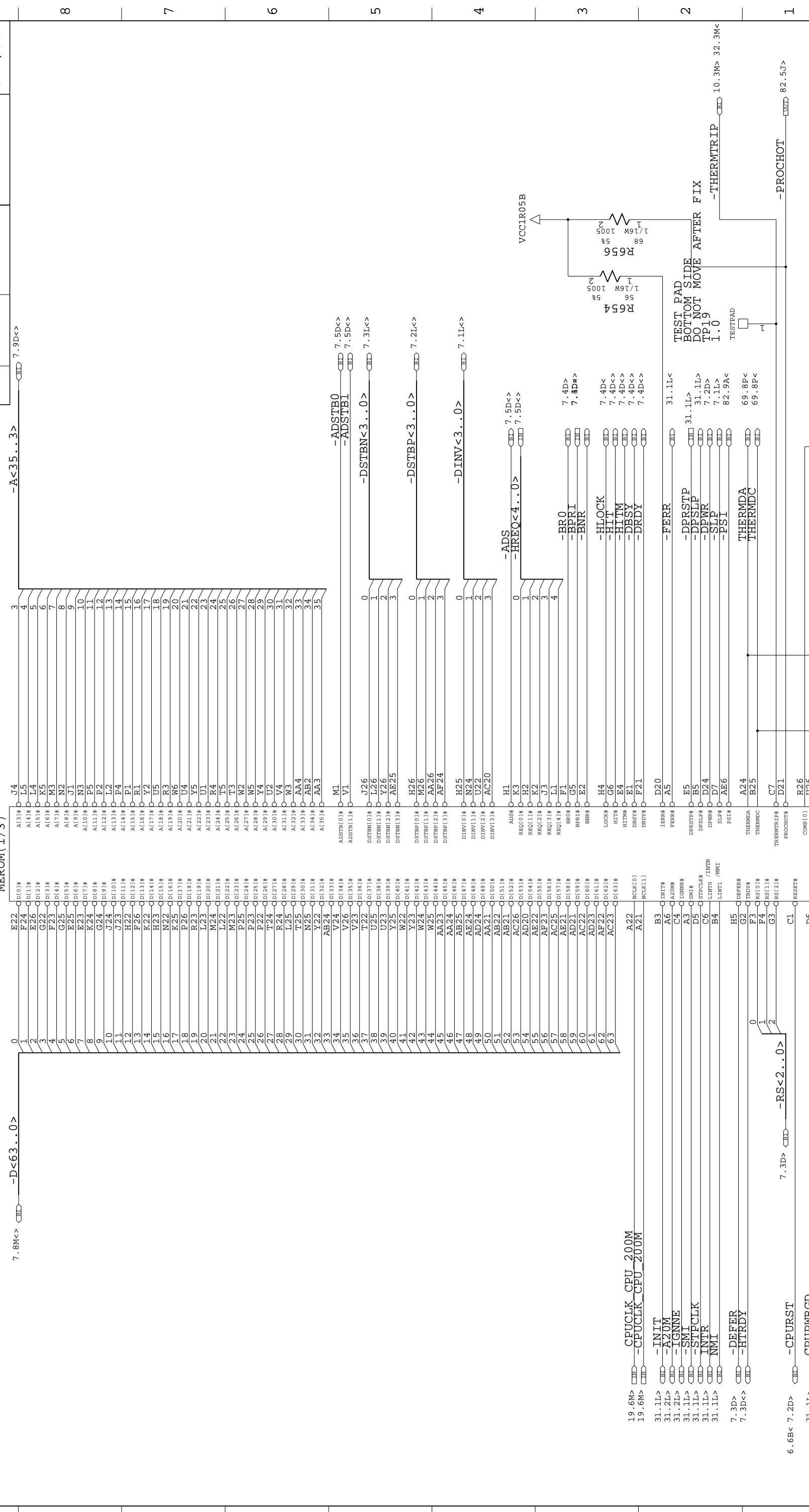
42W9239

DESIGNER	Y. Y	02/08/07	PART NO.
CHECKED	Y. I	02/08/07	42W9239
APPROVED	H. K	02/08/07	TITLE GENBU-5W
CLASS	H. K	02/08/07	HISTORY

THIS DOCUMENT IS THE PROPERTY OF LENOVO. IT IS LOANED TO YOU FOR USE ONLY. IT IS NOT TO BE REPRODUCED OR TRANSMITTED IN ANY FORM OR BY ANY MEANS, ELECTRONIC OR MECHANICAL, INCLUDING PHOTOCOPYING, RECORDING, OR BY ANY INFORMATION STORAGE AND RETRIEVAL SYSTEM. FOR MORE INFORMATION, CONTACT THE LENOVO PURCHASING DEPARTMENT.

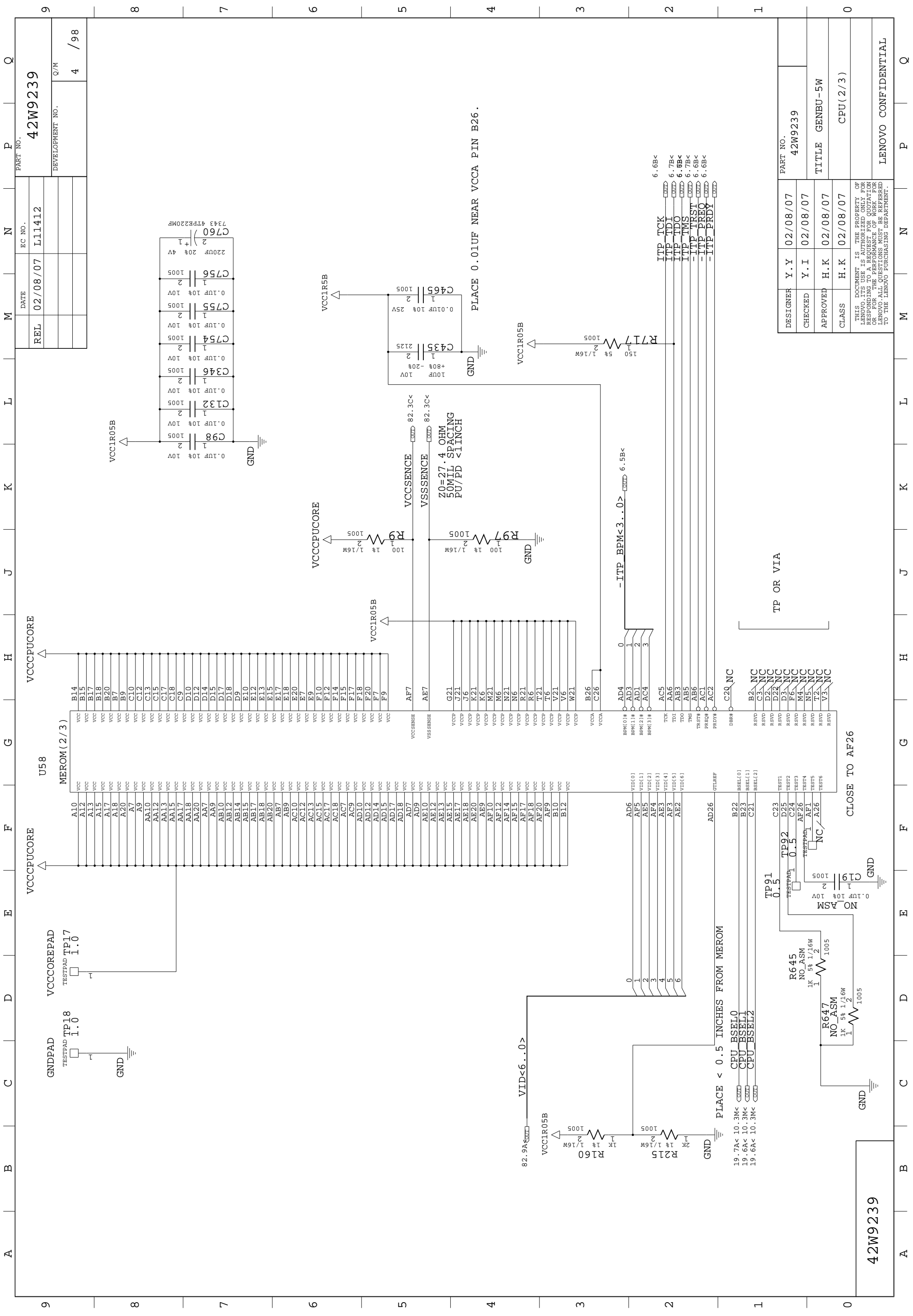
LENOVO CONFIDENTIAL

U58  
MEROM(1/3)



DESIGNER	Y. Y	02/08/07	PART NO.	42W9239
CHECKED	Y. I	02/08/07	TITLE	GENBU-5W
APPROVED	H. K	02/08/07	CLASS	CPU(1/3)
THIS DOCUMENT IS THE PROPERTY OF THE DESIGNER. IT IS TO BE USED ONLY FOR THE PURPOSES SPECIFIED IN THE TITLE. ANY REUSE OR REPRODUCTION WITHOUT THE WRITTEN PERMISSION OF THE DESIGNER IS STRICTLY PROHIBITED. FOR THE PERFORMANCE OF WORK FOR OR FOR THE PERFORMANCE OF WORK FOR THE DESIGNER. ALL QUESTIONS MUST BE REFERRED TO THE DESIGNER'S PURCHASING DEPARTMENT.				

COMP0/2: Z0=27.4 OHM TRACE<0.5"  
 COMP1/3: Z0=55 OHM TRACE<0.5"



DESIGNER	Y. Y	02/08/07	PART NO.	42W9239
CHECKED	Y. I	02/08/07	TITLE	GENBU-5W
APPROVED	H. K	02/08/07	CLASS	CPU(2/3)
CLASS	H. K	02/08/07	THIS DOCUMENT IS THE PROPERTY OF LENOVO. IT IS TO BE USED ONLY FOR THE PURPOSES SPECIFICALLY IDENTIFIED IN THE REQUEST FOR QUOTATION OR FOR THE PERFORMANCE OF WORK FOR LENOVO. ALL QUESTIONS MUST BE REFERRED TO THE LENOVO PURCHASING DEPARTMENT.	

REL	02/08/07	DATE	02/08/07	EC NO.	L11412	PART NO.	42W9239
REL		DATE		EC NO.		DEVELOPMENT NO.	Q/M
REL		DATE		EC NO.			4 / 98

42W9239

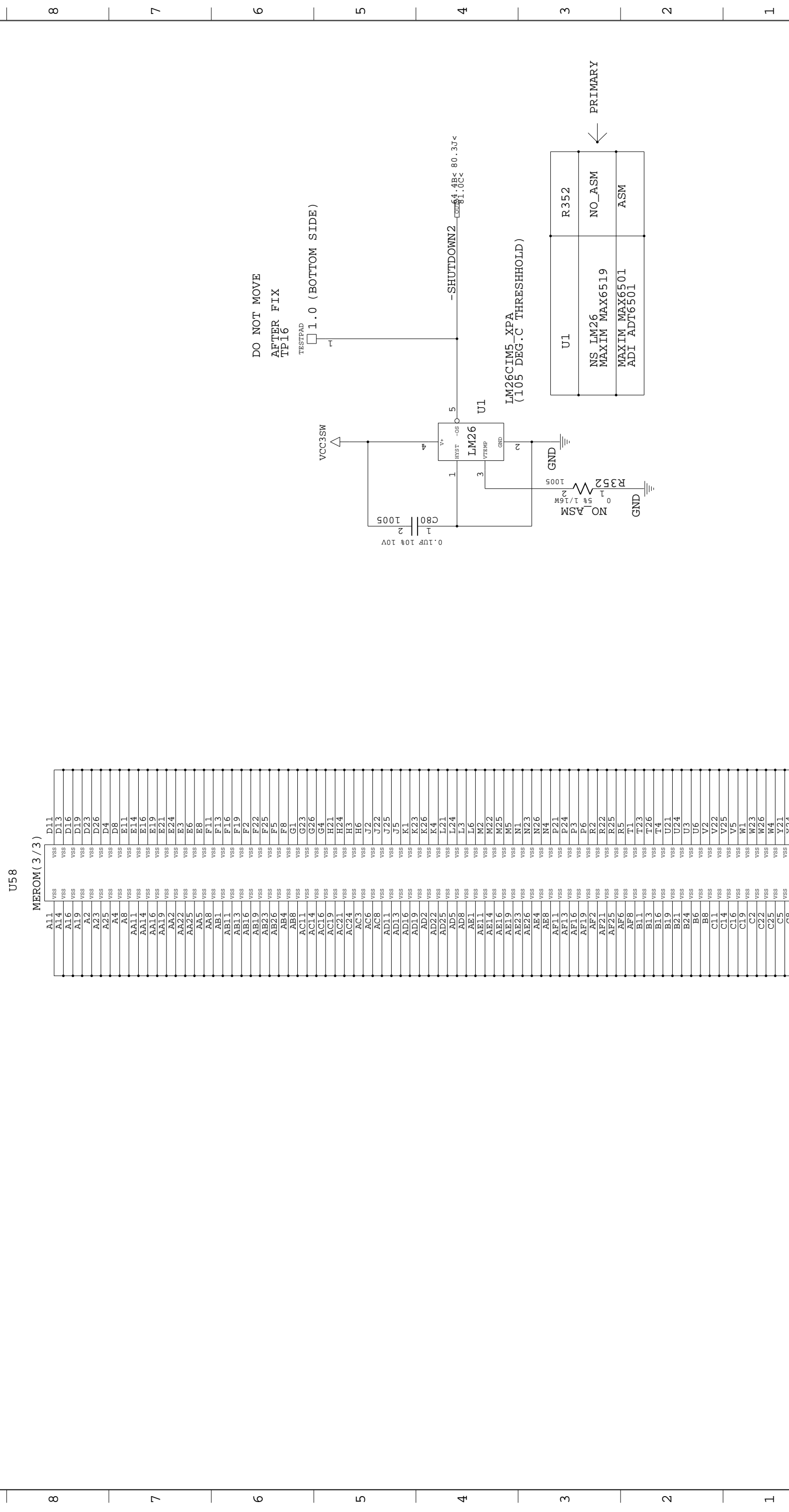
CLOSE TO AF26

TP OR VIA

PLACE < 0.5 INCHES FROM MEROM

PLACE 0.01UF NEAR VCCA PIN B26.

REL	02/08/07	L11412	42W9239
			DEVELOPMENT NO.
			5 / 98

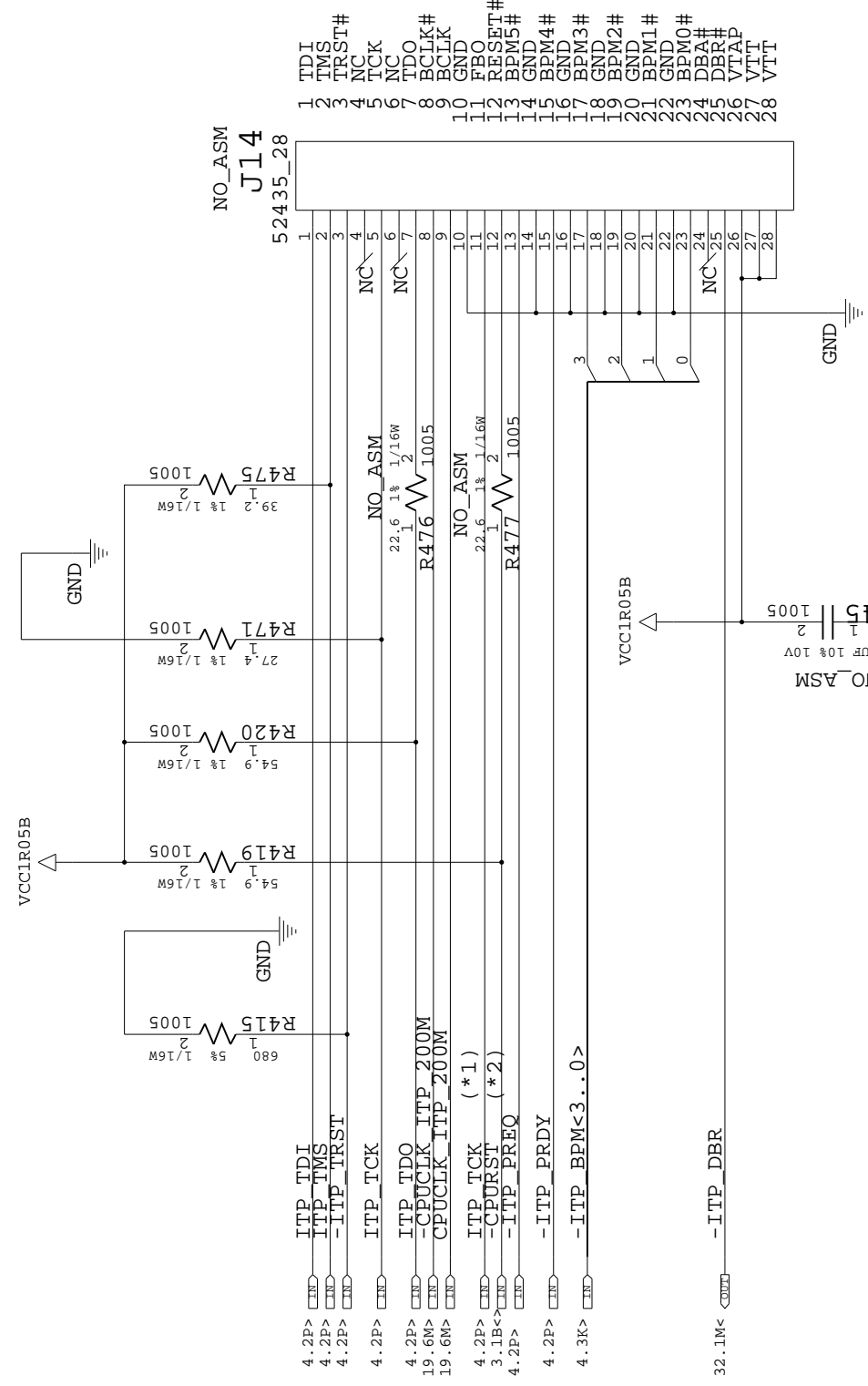


DESIGNER	Y. Y	02/08/07	PART NO.	42W9239
CHECKED	Y. I	02/08/07	TITLE	GENBU-5W
APPROVED	H. K	02/08/07		
CLASS	H. K	02/08/07		CPU(3/3)

42W9239

THIS DOCUMENT IS THE PROPERTY OF  
LENOVO. IT IS LOANED TO YOU FOR  
YOUR USE ONLY. IT IS NOT TO BE  
REPRODUCED OR TRANSMITTED IN ANY  
FORM OR BY ANY MEANS, ELECTRONIC  
OR MECHANICAL, INCLUDING PHOTOCOPYING,  
RECORDING, OR BY ANY INFORMATION  
SYSTEMS. ALL QUESTIONS MUST BE REFERRED  
TO THE LENOVO PURCHASING DEPARTMENT.

LENOVO CONFIDENTIAL



REF DES	FOR ITP700FLEX	FOR ITP--XDP
J14	NO_ASM ---> ASM	NO_ASM ----> ASM
C445	ASM ---> ASM	ASM ----> ASM
R717	ASM(NO CHANGE)	ASM ----> 51 5% ASM
R476	ASM ---> ASM	ASM ----> ASM
R477	ASM ---> ASM	ASM ----> 1K 5% ASM
R415	ASM(NO CHANGE)	ASM(NO CHANGE)
R419	ASM(NO CHANGE)	ASM ----> NO_ASM
R420	ASM(NO CHANGE)	ASM(NO CHANGE)
R471	ASM(NO CHANGE)	ASM ----> 51 5% ASM
R475	ASM(NO CHANGE)	ASM ----> 51 5% ASM

NOTE: C445,R476 AND R477 "ASM" BEFORE SIT, "NO\_ASM" FROM SIT.

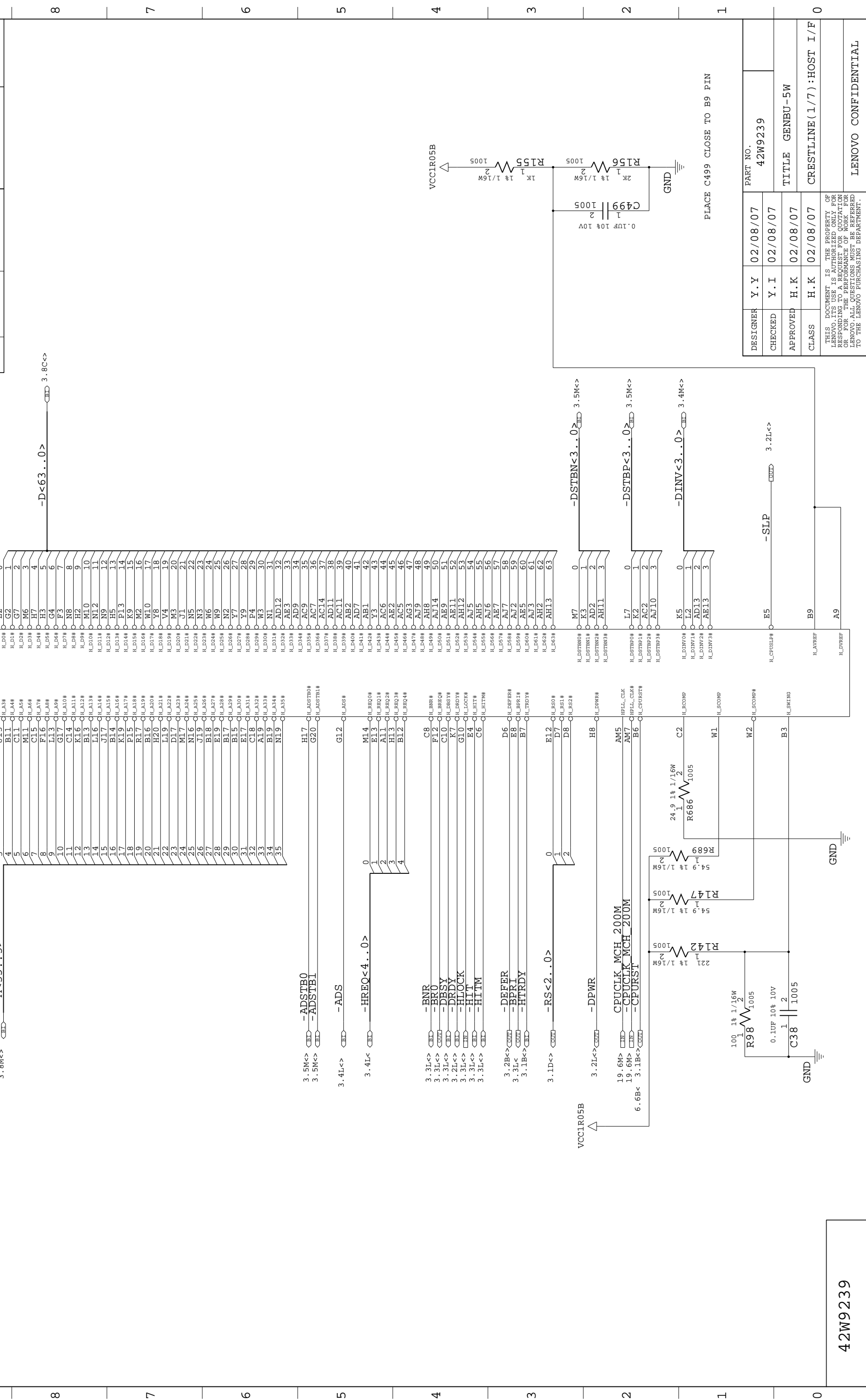
(\*1) TCK SIGNAL IS BRANCHED AT YONAH PIN  
 (\*2) -CPURST SIGNAL IS BRANCHED AT CRESTLINE PIN

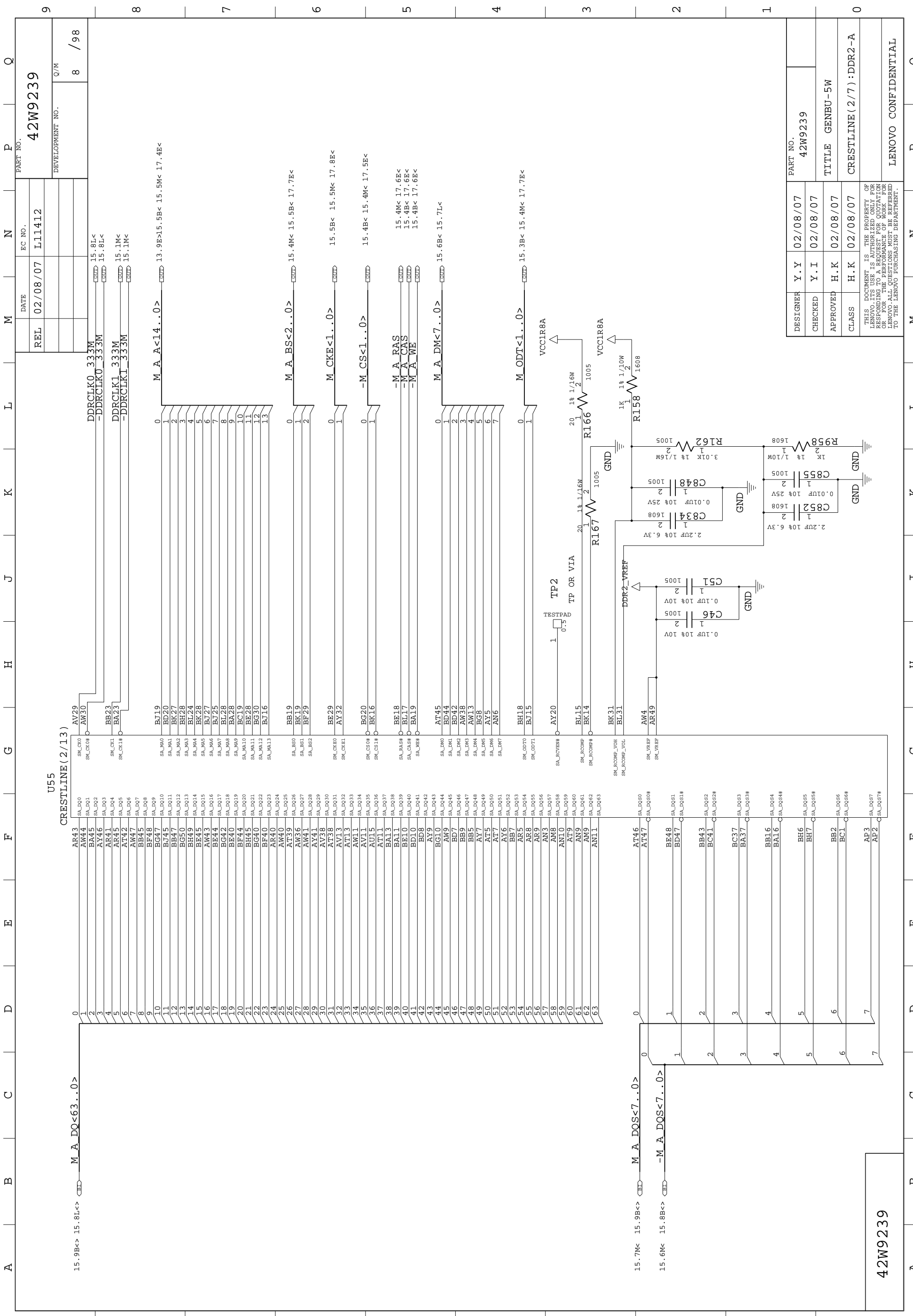
DESIGNER	Y.Y	02/08/07	PART NO.
CHECKED	Y.I	02/08/07	42W9239
APPROVED	H.K	02/08/07	TITLE GENBU-5W
CLASS	H.K	02/08/07	ITP CONN/LARGE PTH HOLE

THIS DOCUMENT IS THE PROPERTY OF LENOVO. IT IS TO BE USED ONLY FOR THE PROJECT AND FOR THE PURPOSES SPECIFIED THEREIN. ANY REUSE OR DISTRIBUTION OF THIS DOCUMENT WITHOUT THE WRITTEN PERMISSION OF LENOVO IS STRICTLY PROHIBITED. FOR MORE INFORMATION, CONTACT YOUR LENOVO ACCOUNT MANAGER OR REFER TO THE LENOVO CONFIDENTIALITY POLICY. ALL QUESTIONS MUST BE REFERRED TO THE LENOVO PURCHASING DEPARTMENT.

EMI FINGER

LENOVO CONFIDENTIAL





DESIGNER	Y. Y	02/08/07	42W9239
CHECKED	Y. I	02/08/07	
APPROVED	H. K	02/08/07	
CLASS	H. K	02/08/07	

PART NO.	42W9239	
DEVELOPMENT NO.	8 / 98	
REL	02/08/07	L11412
DATE		
EC NO.		

SA_D00	AV29	0	M_A_A<14..0>	13.9E>15.5B< 15.5M< 17.4E<
SA_D01	AW30	1		
SA_D02	BB23	2		
SA_D03	BA23	3		
SA_D04	BB23	4		
SA_D05	BA23	5		
SA_D06	BB23	6		
SA_D07	BA23	7		
SA_D08	BB23	8		
SA_D09	BA23	9		
SA_D10	BB23	10		
SA_D11	BA23	11		
SA_D12	BB23	12		
SA_D13	BA23	13		
SA_D14	BB23	14		
SA_D15	BA23	15		
SA_D16	BB23	16		
SA_D17	BA23	17		
SA_D18	BB23	18		
SA_D19	BA23	19		
SA_D20	BB23	20		
SA_D21	BA23	21		
SA_D22	BB23	22		
SA_D23	BA23	23		
SA_D24	BB23	24		
SA_D25	BA23	25		
SA_D26	BB23	26		
SA_D27	BA23	27		
SA_D28	BB23	28		
SA_D29	BA23	29		
SA_D30	BB23	30		
SA_D31	BA23	31		
SA_D32	BB23	32		
SA_D33	BA23	33		
SA_D34	BB23	34		
SA_D35	BA23	35		
SA_D36	BB23	36		
SA_D37	BA23	37		
SA_D38	BB23	38		
SA_D39	BA23	39		
SA_D40	BB23	40		
SA_D41	BA23	41		
SA_D42	BB23	42		
SA_D43	BA23	43		
SA_D44	BB23	44		
SA_D45	BA23	45		
SA_D46	BB23	46		
SA_D47	BA23	47		
SA_D48	BB23	48		
SA_D49	BA23	49		
SA_D50	BB23	50		
SA_D51	BA23	51		
SA_D52	BB23	52		
SA_D53	BA23	53		
SA_D54	BB23	54		
SA_D55	BA23	55		
SA_D56	BB23	56		
SA_D57	BA23	57		
SA_D58	BB23	58		
SA_D59	BA23	59		
SA_D60	BB23	60		
SA_D61	BA23	61		
SA_D62	BB23	62		
SA_D63	BA23	63		
SA_D64	BB23	64		
SA_D65	BA23	65		
SA_D66	BB23	66		
SA_D67	BA23	67		
SA_D68	BB23	68		
SA_D69	BA23	69		
SA_D70	BB23	70		
SA_D71	BA23	71		
SA_D72	BB23	72		
SA_D73	BA23	73		
SA_D74	BB23	74		
SA_D75	BA23	75		
SA_D76	BB23	76		
SA_D77	BA23	77		
SA_D78	BB23	78		
SA_D79	BA23	79		
SA_D80	BB23	80		
SA_D81	BA23	81		
SA_D82	BB23	82		
SA_D83	BA23	83		
SA_D84	BB23	84		
SA_D85	BA23	85		
SA_D86	BB23	86		
SA_D87	BA23	87		
SA_D88	BB23	88		
SA_D89	BA23	89		
SA_D90	BB23	90		
SA_D91	BA23	91		
SA_D92	BB23	92		
SA_D93	BA23	93		
SA_D94	BB23	94		
SA_D95	BA23	95		
SA_D96	BB23	96		
SA_D97	BA23	97		
SA_D98	BB23	98		
SA_D99	BA23	99		
SA_D100	BB23	100		

42W9239

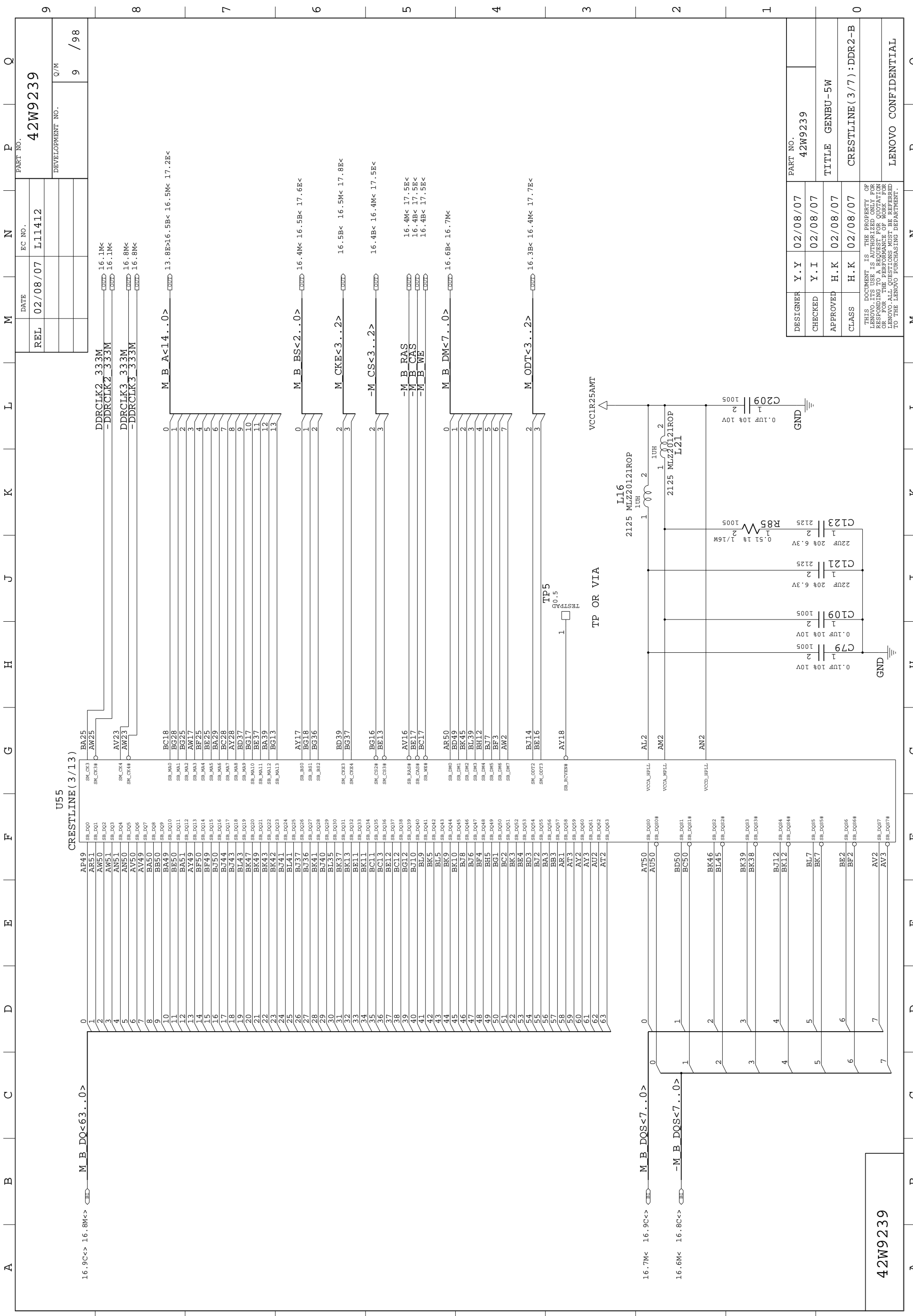
PART NO. 42W9239  
 TITLE GENBU-5W  
 CRESTLINE (2/7) : DDR2-A

THIS DOCUMENT IS THE PROPERTY OF  
 LENOVO. IT IS LOANED TO YOU FOR  
 YOUR USE ONLY. IT IS NOT TO BE  
 REPRODUCED OR TRANSMITTED IN ANY  
 FORM OR BY ANY MEANS, ELECTRONIC  
 OR MECHANICAL, INCLUDING PHOTOCOPYING,  
 RECORDING, OR BY ANY INFORMATION  
 STORAGE AND RETRIEVAL SYSTEM, WITHOUT  
 PERMISSION IN WRITING FROM LENOVO.  
 ALL QUESTIONS MUST BE REFERRED  
 TO THE LENOVO PURCHASING DEPARTMENT.

DESIGNER Y. Y 02/08/07  
 CHECKED Y. I 02/08/07  
 APPROVED H. K 02/08/07  
 CLASS H. K 02/08/07

LENovo CONFIDENTIAL



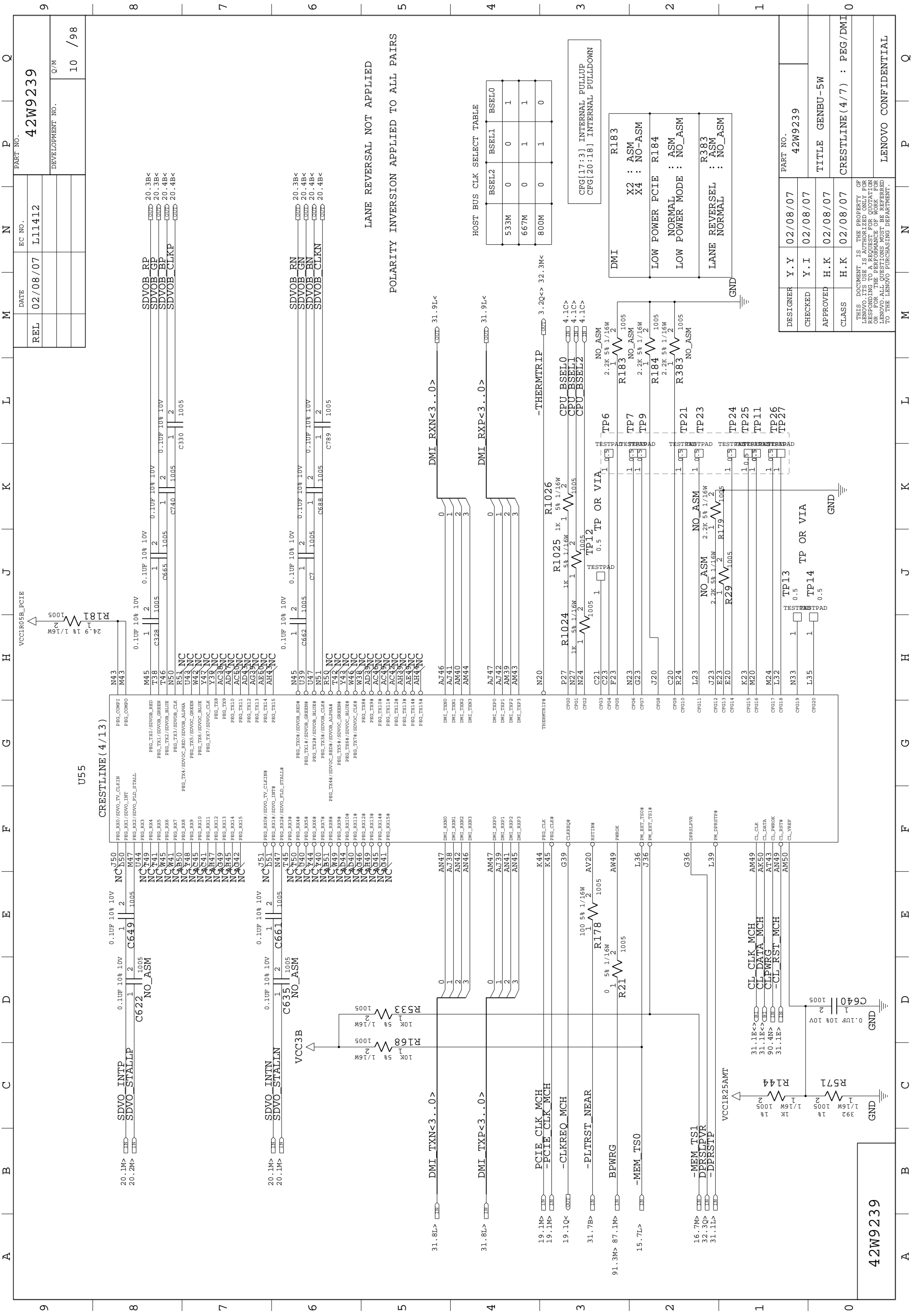


REL	DATE	EC NO.	PART NO.
REL	02/08/07	L11412	42W9239
			DEVELOPMENT NO.
			Q/M
			9 / 98

DESIGNER	Y. Y	02/08/07	PART NO.
CHECKED	Y. I	02/08/07	42W9239
APPROVED	H. K	02/08/07	TITLE GENBU-5W
CLASS	H. K	02/08/07	CRESTLINE (3/7) : DDR2-B

THIS DOCUMENT IS THE PROPERTY OF LENOVO. IT IS LOANED TO YOU FOR YOUR USE ONLY. IT IS NOT TO BE REPRODUCED OR TRANSMITTED IN ANY FORM OR BY ANY MEANS, ELECTRONIC OR MECHANICAL, INCLUDING PHOTOCOPYING, RECORDING, OR BY ANY INFORMATION STORAGE AND RETRIEVAL SYSTEM. FOR MORE INFORMATION, CONTACT THE LENOVO PURCHASING DEPARTMENT.

42W9239



REL	02/08/07	L11412	42W9239
DEVELOPMENT NO.			Q/M
DATE			10 / 98

DATE	02/08/07	L11412	42W9239
DEVELOPMENT NO.			Q/M
DATE			10 / 98

LANE REVERSAL NOT APPLIED

POLARITY INVERSION APPLIED TO ALL PAIRS

HOST BUS CLK SELECT TABLE

BSEL0	BSEL1	BSEL2	BSEL3
533M	0	0	1
667M	0	1	1
800M	0	1	0

CFG[17:3] INTERNAL PULLUP

CFG[20:18] INTERNAL PULLDOWN

DESIGNER

Y.Y 02/08/07

CHECKED

Y.I 02/08/07

APPROVED

H.K 02/08/07

CLASS

H.K 02/08/07

PART NO.

42W9239

TITLE

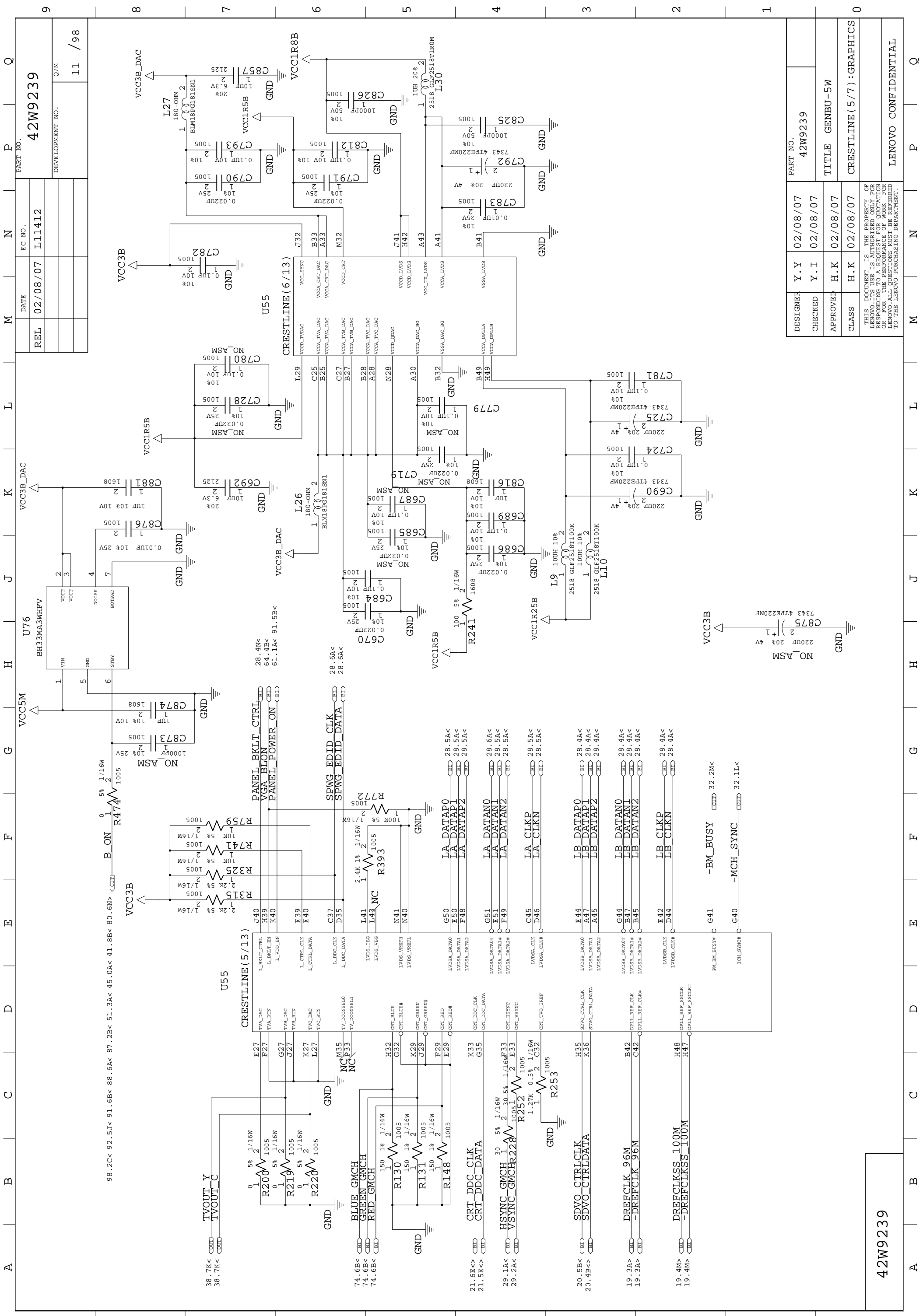
GENBU-5W

CRESTLINE (4/7)

PEG/DMI

THIS DOCUMENT IS THE PROPERTY OF LENOVO AND IS LOANED TO YOU. IT IS TO BE USED ONLY FOR THE PROJECT AND FOR THE PURPOSES SPECIFIED IN THE REQUEST FOR QUOTATION. ALL INFORMATION CONTAINED HEREIN IS UNCLASSIFIED EXCEPT WHERE SHOWN OTHERWISE. ANY DISSEMINATION OF THIS INFORMATION TO OTHERS WITHOUT THE EXPRESS WRITTEN PERMISSION OF LENOVO PURCHASING DEPARTMENT IS STRICTLY PROHIBITED.

LENOVO CONFIDENTIAL



DESIGNER	Y. Y	02/08/07	PART NO.	42W9239
CHECKED	Y. I	02/08/07	TITLE	GENBU-5W
APPROVED	H. K	02/08/07	CRESTLINE (5/7) : GRAPHICS	
CLASS	H. K	02/08/07		

THIS DOCUMENT IS THE PROPERTY OF LENOVO. IT IS LOANED TO YOU FOR USE ONLY. IT IS NOT TO BE REPRODUCED OR TRANSMITTED IN ANY FORM OR BY ANY MEANS, ELECTRONIC OR MECHANICAL, INCLUDING PHOTOCOPYING, RECORDING, OR BY ANY INFORMATION STORAGE AND RETRIEVAL SYSTEM. ALL RIGHTS RESERVED. FOR MORE INFORMATION, CONTACT THE LENOVO PURCHASING DEPARTMENT.				
DESIGNER	Y. Y	02/08/07	PART NO.	42W9239
CHECKED	Y. I	02/08/07	TITLE	GENBU-5W
APPROVED	H. K	02/08/07	CRESTLINE (5/7) : GRAPHICS	
CLASS	H. K	02/08/07		

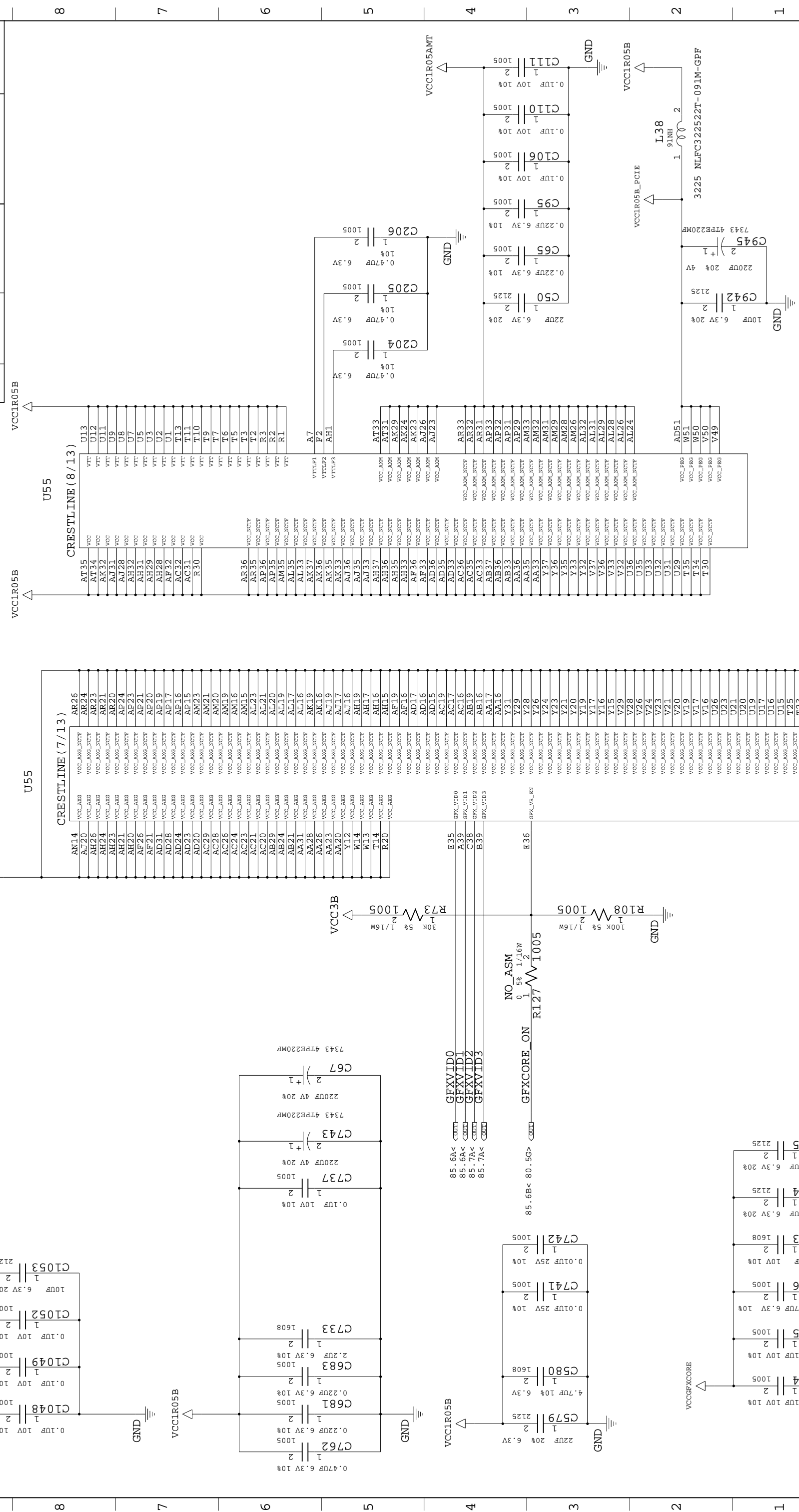
42W9239

42W9239

CRESTLINE (5/7) : GRAPHICS

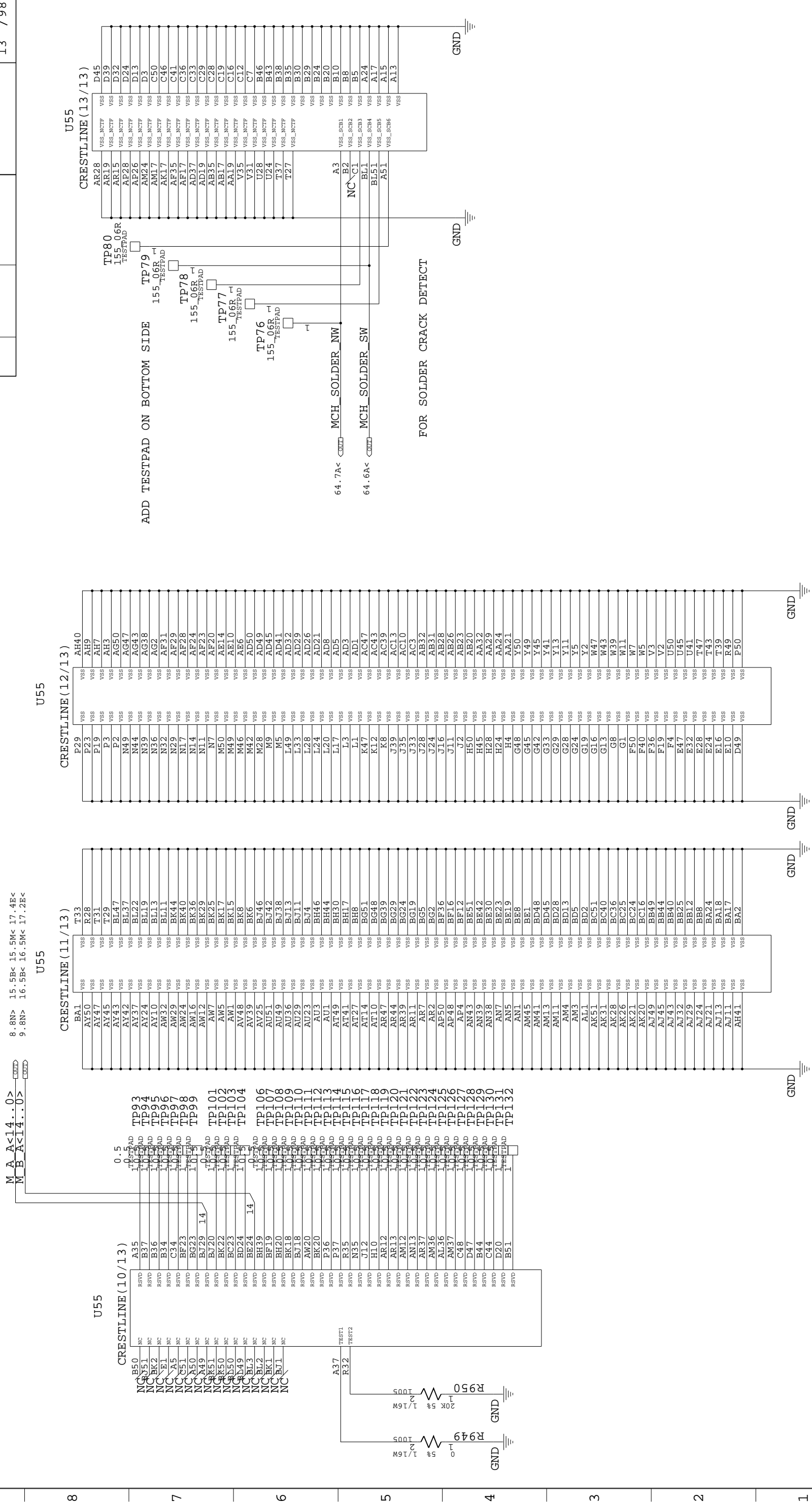
GENBU-5W

LENOVO CONFIDENTIAL

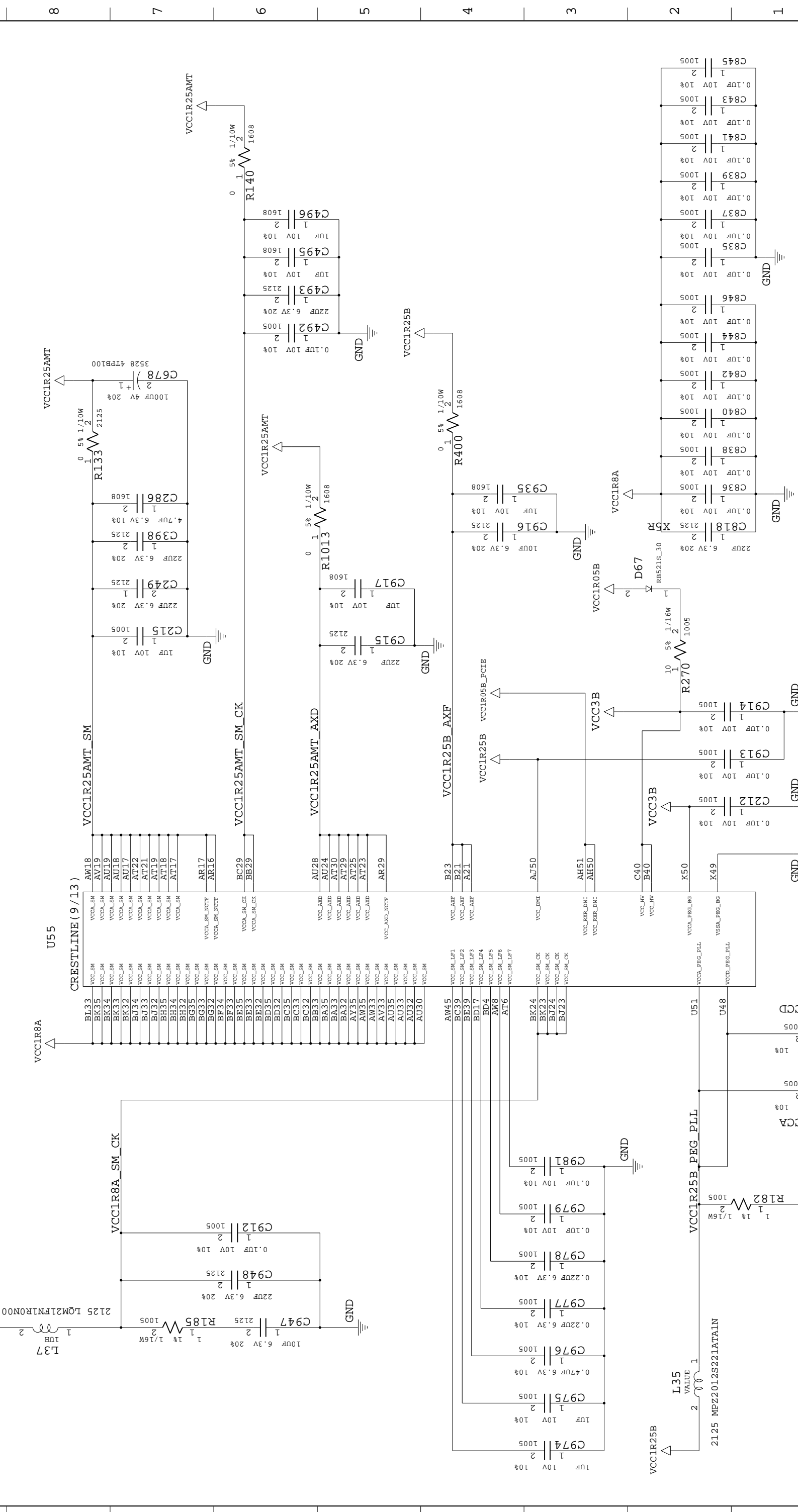


DESIGNER	Y. Y	02/08/07	PART NO.	42W9239
CHECKED	Y. I	02/08/07	TITLE	GENBU-5W
APPROVED	H. K	02/08/07	CRESTLINE (6/7)	: VCC
CLASS	H. K	02/08/07	THIS DOCUMENT IS THE PROPERTY OF LENOVO. IT IS LOANED TO YOU FOR YOUR USE ONLY. IT IS NOT TO BE REPRODUCED OR TRANSMITTED IN ANY FORM OR BY ANY MEANS, ELECTRONIC OR MECHANICAL, INCLUDING PHOTOCOPYING, RECORDING, OR BY ANY INFORMATION STORAGE AND RETRIEVAL SYSTEM. ALL RIGHTS ARE RESERVED. FOR THE PERFORMANCE OF WORK OR FOR THE PERFORMANCE OF WORK LENOVO. ALL QUESTIONS MUST BE REFERRED TO THE LENOVO PURCHASING DEPARTMENT.	

NOTE: M\_A\_A14 AND M\_B\_A14 SHOULD BE TREATED SAME AS OTHER MEMORY ADDRESS LINES



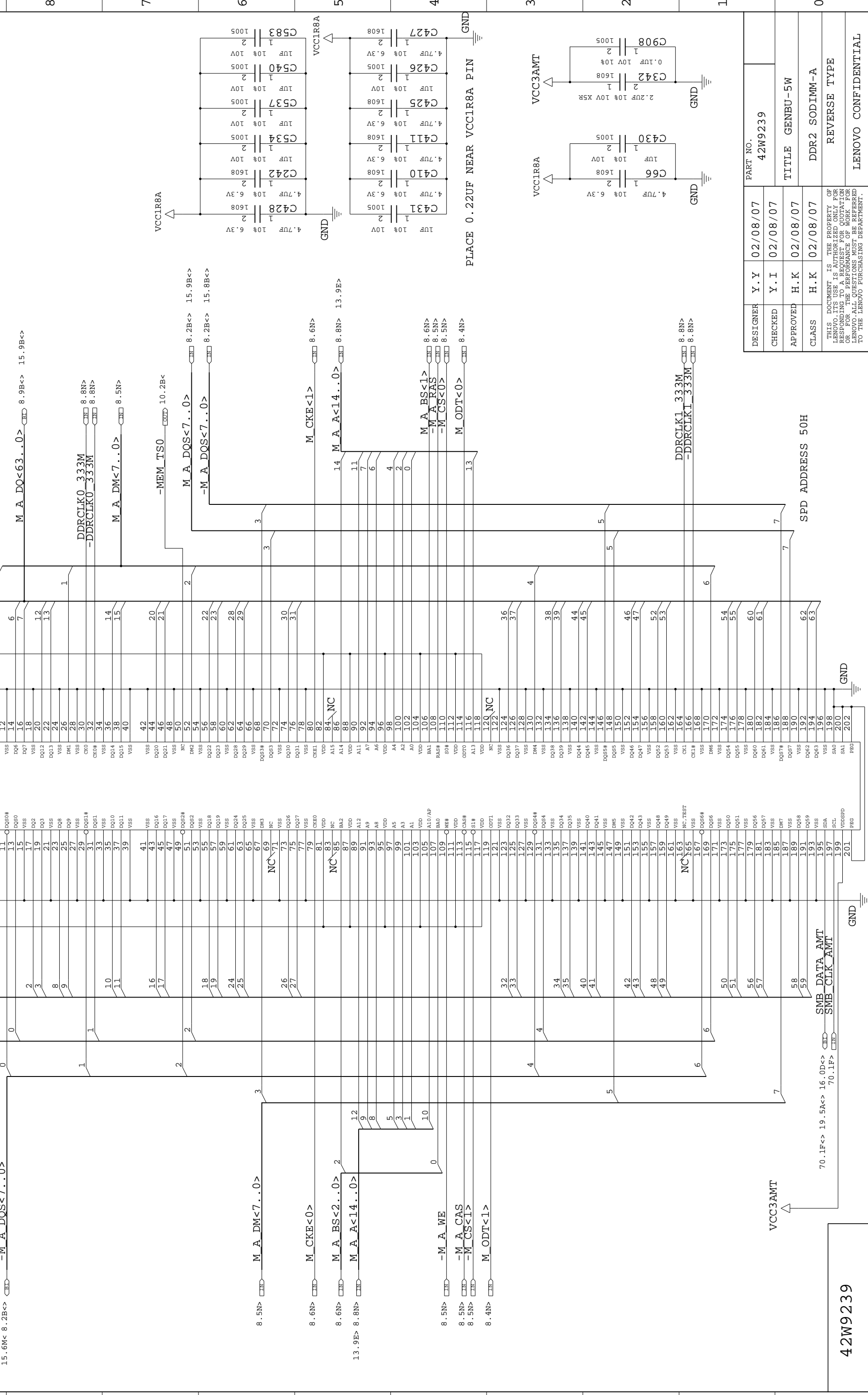
DESIGNER	Y. Y	02/08/07	PART NO.	42W9239
CHECKED	Y. I	02/08/07	TITLE	GENBU-5W
APPROVED	H. K	02/08/07	CLASS	CALISTOGA(7/7):VCC/GND(NCTF)
CLASS	H. K	02/08/07	THIS DOCUMENT IS THE PROPERTY OF LENOVO. IT IS TO BE USED ONLY FOR THE PURPOSES SPECIFIED HEREIN. ANY REUSE OR DISTRIBUTION WITHOUT THE WRITTEN PERMISSION OF LENOVO IS STRICTLY PROHIBITED. FOR MORE INFORMATION, CONTACT YOUR LENOVO ACCOUNT MANAGER OR VISIT US AT WWW.LENOVO.COM. LENOVO-ALL QUESTIONS MUST BE REFERRED TO THE LENOVO PURCHASING DEPARTMENT.	



DESIGNER	Y. Y	02/08/07	PART NO.	42W9239
CHECKED	Y. I	02/08/07	TITLE	GENBU-5W
APPROVED	H. K	02/08/07	POWER FOR CRESTLINE	
CLASS	H. K	02/08/07		

THIS DOCUMENT IS THE PROPERTY OF  
 LENOVO. IT IS TO BE USED ONLY FOR  
 THE PROJECT AND FOR THE QUANTITIES  
 SPECIFIED THEREIN. IT IS NOT TO BE  
 REPRODUCED, COPIED, OR TRANSMITTED  
 IN ANY FORM OR BY ANY MEANS, WITHOUT  
 THE WRITTEN PERMISSION OF LENOVO. ALL  
 QUESTIONS MUST BE REFERRED TO THE  
 LENOVO PURCHASING DEPARTMENT.

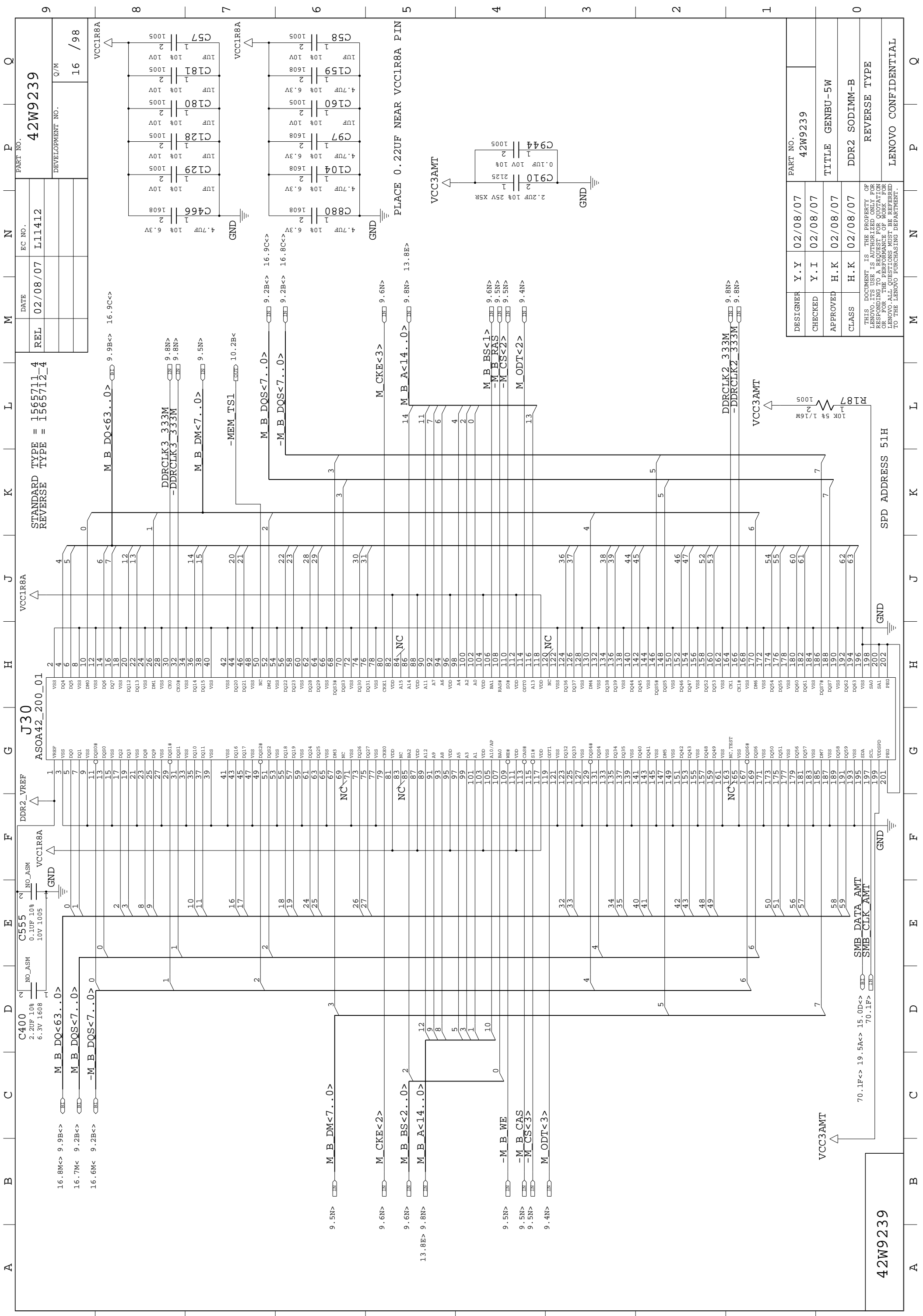
42W9239



DESIGNER	Y.Y	02/08/07
CHECKED	Y.I	02/08/07
APPROVED	H.K	02/08/07
CLASS	H.K	02/08/07
PART NO. 42W9239		
TITLE GENBU-5W		
CLASS DDR2 SODIMM-A		
REVERSE TYPE		
LENOVO CONFIDENTIAL		

DESIGNER	Y.Y	02/08/07
CHECKED	Y.I	02/08/07
APPROVED	H.K	02/08/07
CLASS	H.K	02/08/07
PART NO. 42W9239		
TITLE GENBU-5W		
CLASS DDR2 SODIMM-A		
REVERSE TYPE		
LENOVO CONFIDENTIAL		

42W9239



STANDARD TYPE = 1565711_4 REVERSE TYPE = 1565712_4	REL	DATE	EC NO.	PART NO.
		02/08/07	L11412	42W9239
				DEVELOPMENT NO.
				16 / 98

DESIGNER	Y. Y	02/08/07	PART NO.	42W9239
CHECKED	Y. I	02/08/07	TITLE	GENBU-5W
APPROVED	H. K	02/08/07	CLASS	DDR2 SODIMM-B
CLASS	H. K	02/08/07	REVERSE TYPE	
THIS DOCUMENT IS THE PROPERTY OF LENOVO. IT IS LOANED TO YOU FOR RENDERING SERVICES. IT IS NOT TO BE REPRODUCED OR TRANSMITTED IN ANY FORM OR BY ANY MEANS, ELECTRONIC OR MECHANICAL, INCLUDING PHOTOCOPYING, RECORDING, OR BY ANY INFORMATION SYSTEMS. ALL QUESTIONS MUST BE REFERRED TO THE LENOVO PURCHASING DEPARTMENT.				
LENOVO CONFIDENTIAL				

42W9239

SPD ADDRESS 51H

PLACE 0.22UF NEAR VCC1R8A PIN

10K 5% 1/16W

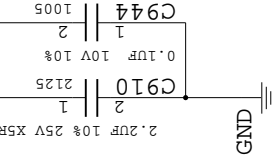
SMB DATA AMT  
SMB CLK AMT

70.1F<> 19.5A<> 15.0D<>  
70.1F<>

VCC3AMT

VCC3AMT

DDRCLK2\_333M  
-DDRCLK2\_333M



VCC3AMT

-MEM\_TSL 10.2B<

M\_B\_DM<7..0> 9.5N>

DDRCLK3\_333M  
-DDRCLK3\_333M 9.8N>

M\_B\_DO<63..0> 9.9B<> 16.9C<>

VCC1R8A

GND

VCC1R8A

GND

VCC1R8A

GND

VCC1R8A

GND

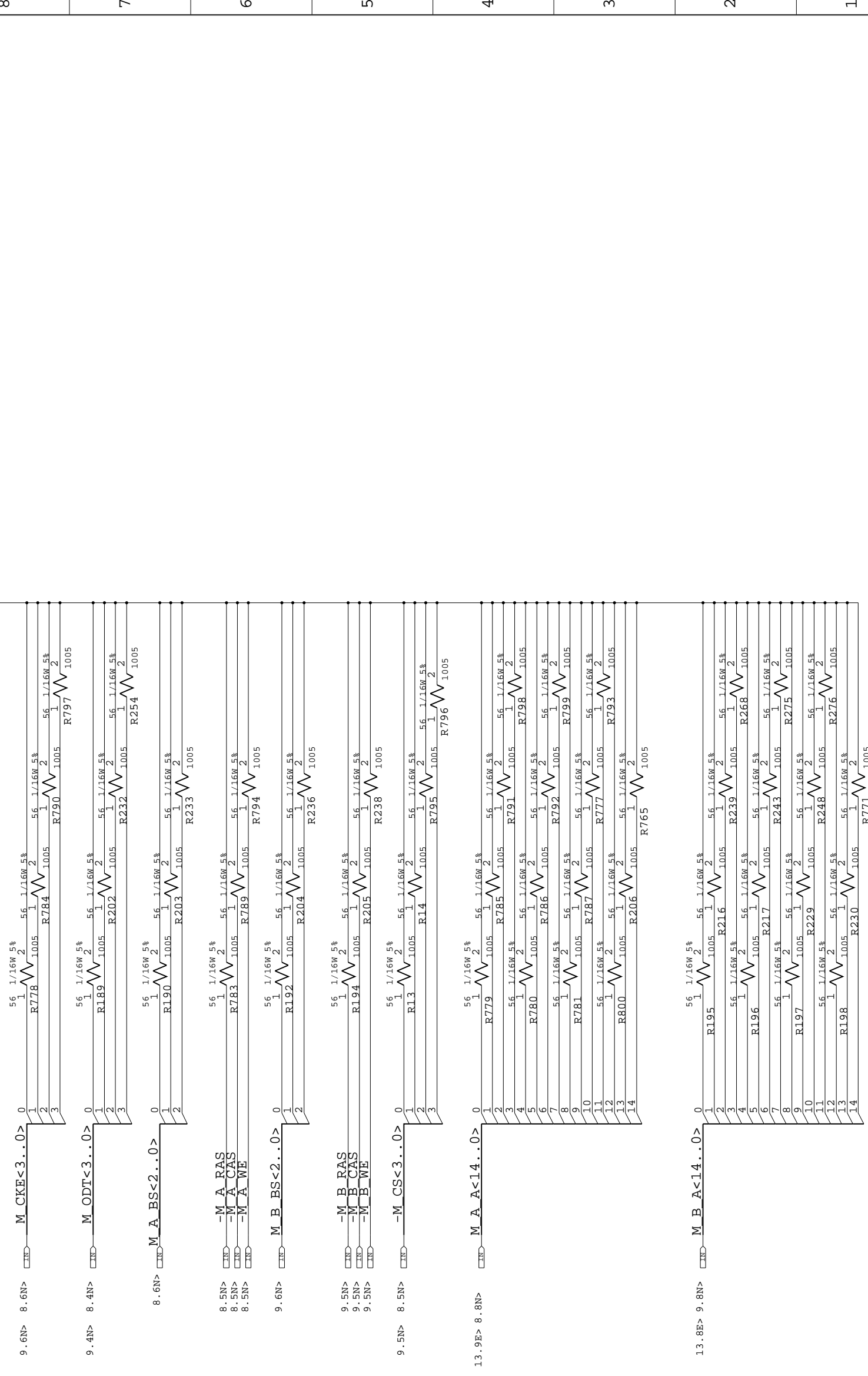
VCC1R8A

GND



REL	02/08/07	EC NO.	L11412	PART NO.	42W9239
				DEVELOPMENT NO.	Q/M
					17 / 98

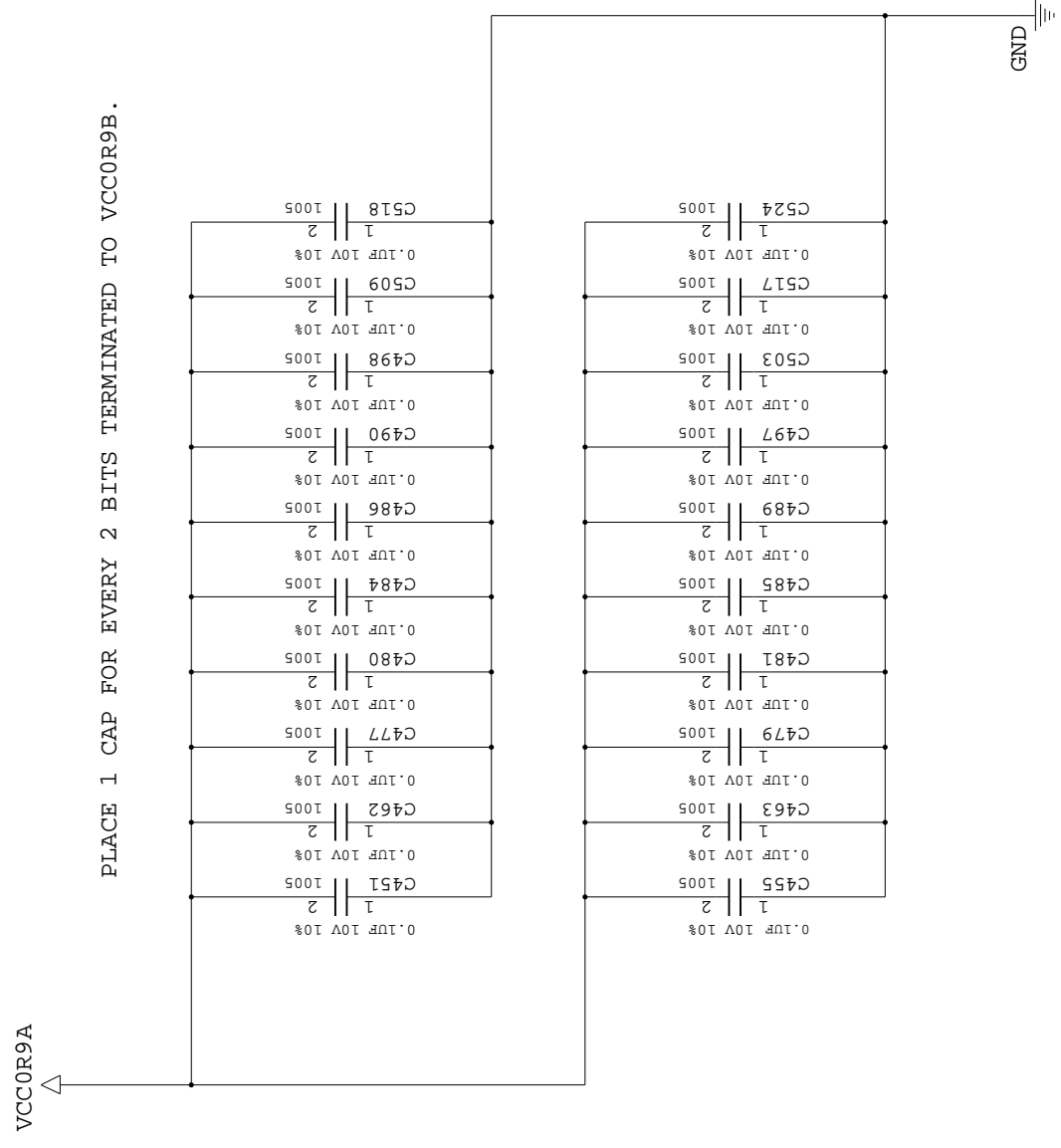
VCC0R9A



DESIGNER	Y. Y	02/08/07	PART NO.	42W9239
CHECKED	Y. I	02/08/07	TITLE	GENBU-5W
APPROVED	H. K	02/08/07	CLASS	DDR-2 TERMINATION
<small>THIS DOCUMENT IS THE PROPERTY OF LENOVO. IT IS TO BE USED ONLY IN ACCORDANCE WITH THE TERMS AND CONDITIONS OF THE LICENSE AGREEMENT. ANY REPRODUCTION OR DISTRIBUTION WITHOUT THE WRITTEN PERMISSION OF LENOVO IS STRICTLY PROHIBITED. FOR MORE INFORMATION, CONTACT YOUR LENOVO ACCOUNT MANAGER OR VISIT WWW.LENOVO.COM. ALL RIGHTS RESERVED. © 2007 LENOVO CORPORATION.</small>				

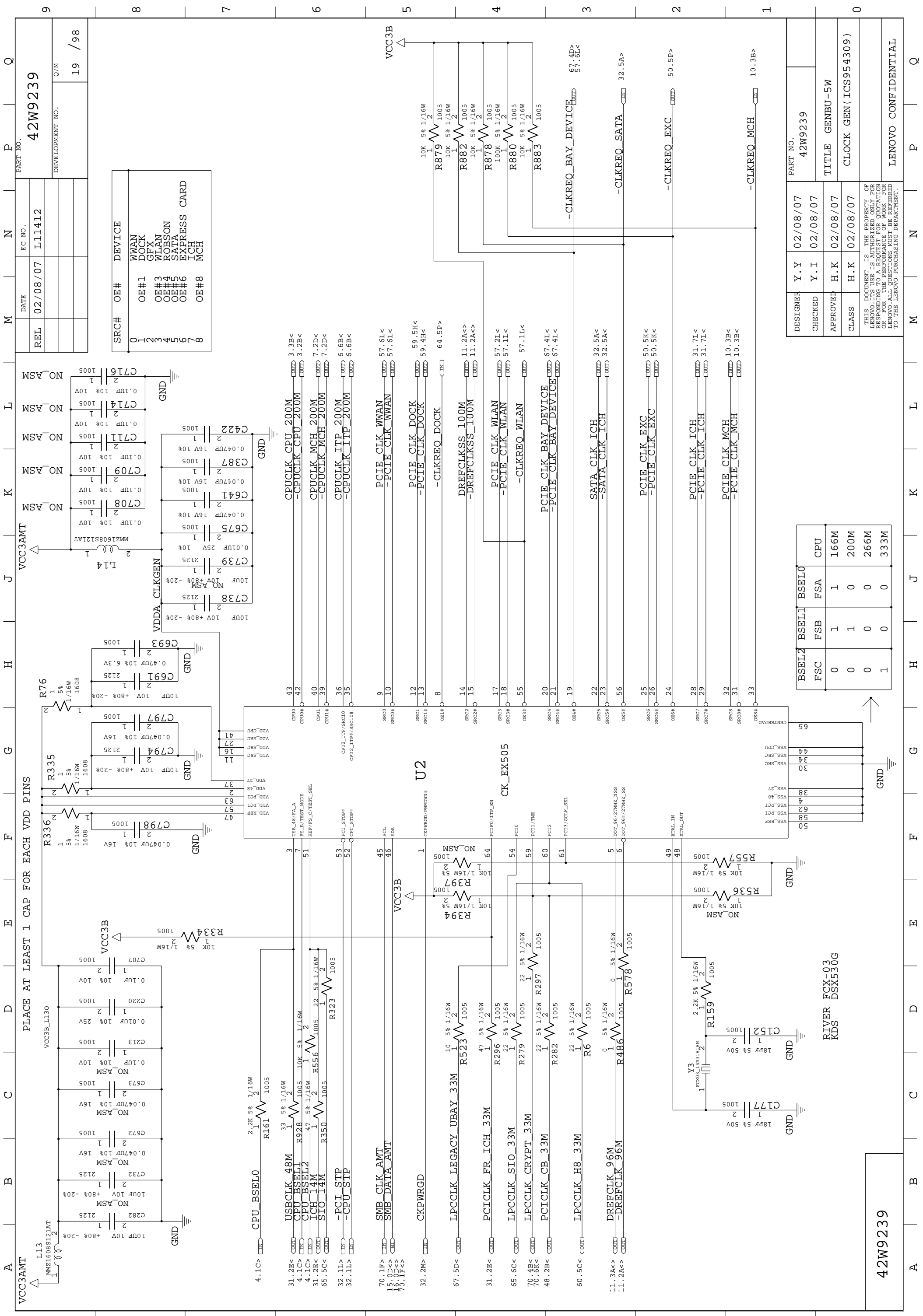
42W9239

REL	02/08/07	L11412	42W9239
DATE	02/08/07	EC NO.	L11412
			PART NO.
			42W9239
			DEVELOPMENT NO.
			18 / 98
			Q/M



DESIGNER	Y. Y	02/08/07	PART NO.	42W9239
CHECKED	Y. I	02/08/07	TITLE	GENBU-5W
APPROVED	H. K	02/08/07	CLASS	DDR-2 DECOUPLING
<small>THIS DOCUMENT IS THE PROPERTY OF LENOVO. IT IS LOANED TO YOU FOR YOUR USE ONLY. IT IS NOT TO BE REPRODUCED OR TRANSMITTED IN ANY FORM OR BY ANY MEANS, ELECTRONIC OR MECHANICAL, INCLUDING PHOTOCOPYING, RECORDING, OR BY ANY INFORMATION STORAGE AND RETRIEVAL SYSTEM, WITHOUT PERMISSION IN WRITING FROM LENOVO. ALL QUESTIONS MUST BE REFERRED TO THE LENOVO PURCHASING DEPARTMENT.</small>				

42W9239



REL	02/08/07	EC NO.	L11412	PART NO.	42W9239
DEVELOPMENT NO.					
					19 / 98

SRC#	OE#	DEVICE
0	OE#1	WWAN DOCK
1	OE#2	GFY
2	OE#3	WLAN
3	OE#4	ROBSON
4	OE#5	SATA
5	OE#6	EXPRESS CARD
6	OE#7	ICH
7	OE#8	MCH

BSEL0	BSEL1	BSEL0	BSEL0	CPU
FSC	FSB	FSA	FSA	CPU
0	1	1	0	166M
0	1	0	0	200M
0	0	0	0	266M
1	0	0	0	333M

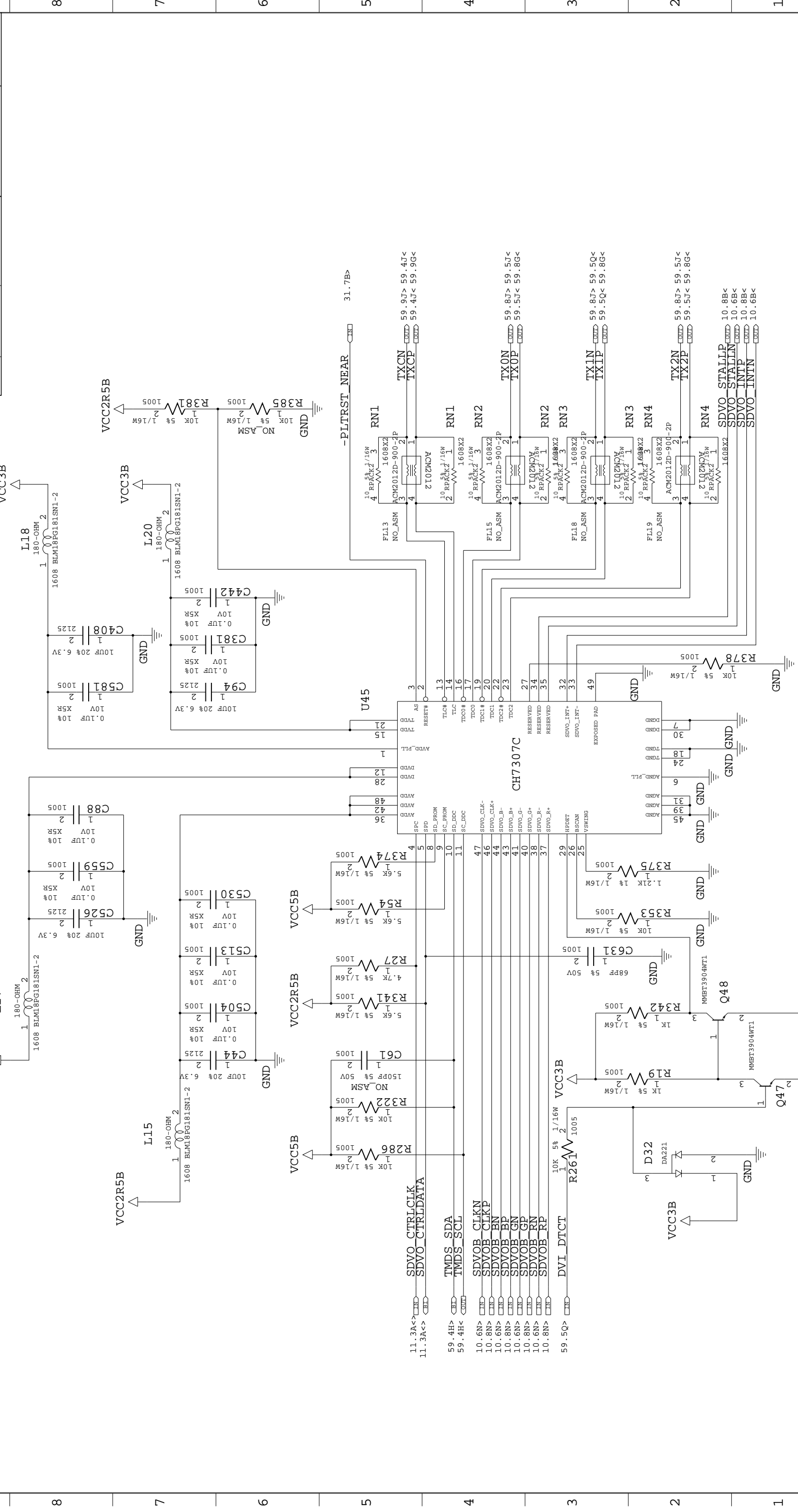
DESIGNER	Y. Y	02/08/07	PART NO.	42W9239
CHECKED	Y. I	02/08/07	TITLE	GENBU-5W
APPROVED	H. K	02/08/07	CLOCK GEN(ICS954309)	
CLASS	H. K	02/08/07		

42W9239

RIVER FCX-03  
KDS DSX530G

THIS DOCUMENT IS THE PROPERTY OF  
LENOVO. IT IS TO BE USED ONLY FOR  
THE PURPOSES SPECIFIED IN THE  
REQUEST FOR QUOTATION FOR  
OR FOR THE PERFORMANCE OF WORK  
FOR LENOVO. ALL QUESTIONS MUST BE REFERRED  
TO THE LENOVO PURCHASING DEPARTMENT.

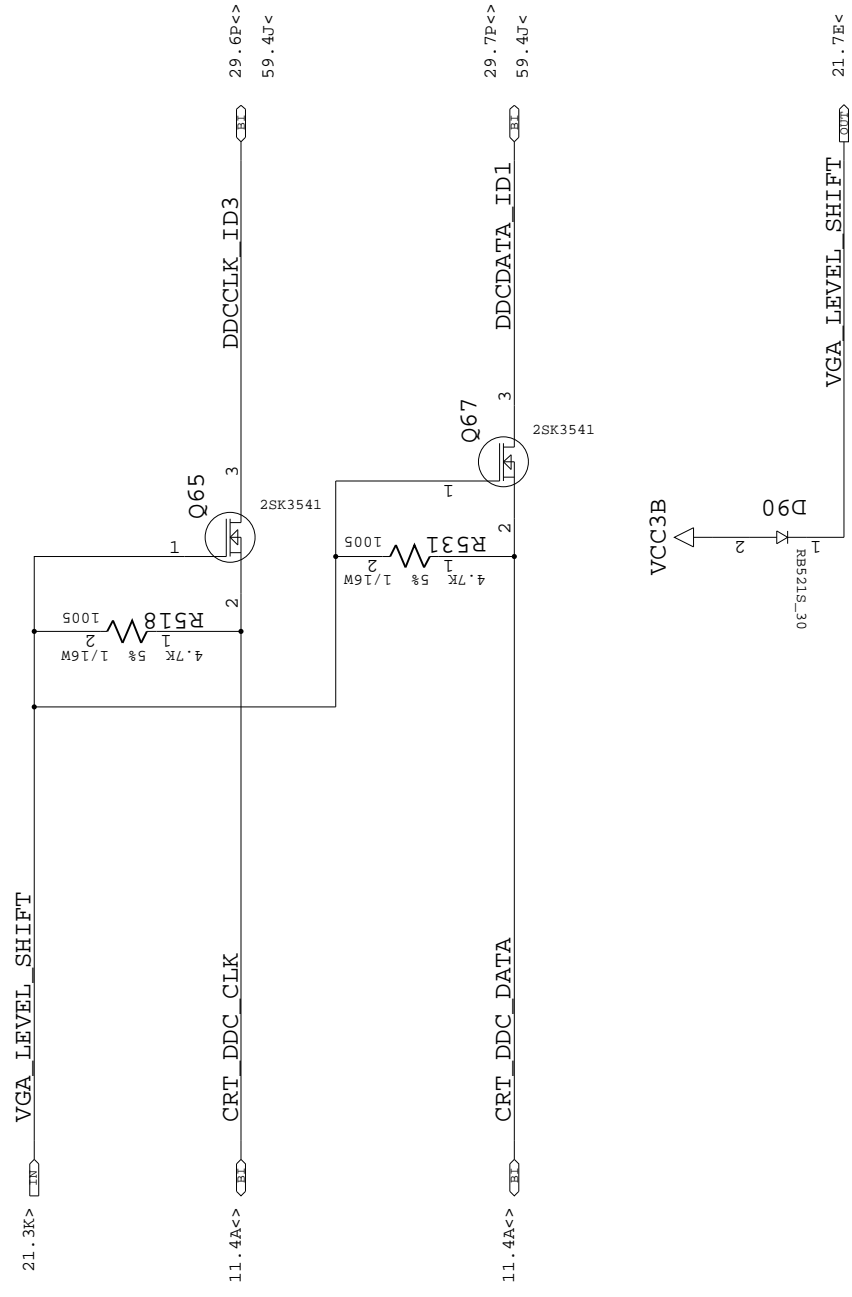
LENOVO CONFIDENTIAL



DESIGNER	Y. Y	02/08/07	PART NO.	42W9239
CHECKED	Y. I	02/08/07	TITLE	GENBU-5W
APPROVED	H. K	02/08/07	DVI TRANSMITTER	
CLASS	H. K	02/08/07	LENOVO CONFIDENTIAL	

THIS DOCUMENT IS THE PROPERTY OF  
 LENOVO. IT IS TO BE USED ONLY FOR THE  
 PROJECT AND FOR WHICH IT WAS  
 DESIGNED. IT IS NOT TO BE REPRODUCED,  
 COPIED, OR TRANSMITTED IN ANY FORM  
 OR BY ANY MEANS, ELECTRONIC OR  
 MECHANICAL, INCLUDING PHOTOCOPYING,  
 RECORDING, OR BY ANY INFORMATION  
 STORAGE AND RETRIEVAL SYSTEM.  
 ALL RIGHTS ARE RESERVED. FOR MORE  
 INFORMATION, CONTACT THE DVI  
 ENGINEERING DEPARTMENT.  
 TO THE LENOVO PURCHASING DEPARTMENT.

REL	DATE	EC NO.	PART NO.
02/08/07	L11412	42W9239	
			DEVELOPMENT NO. Q/M
			21 / 98

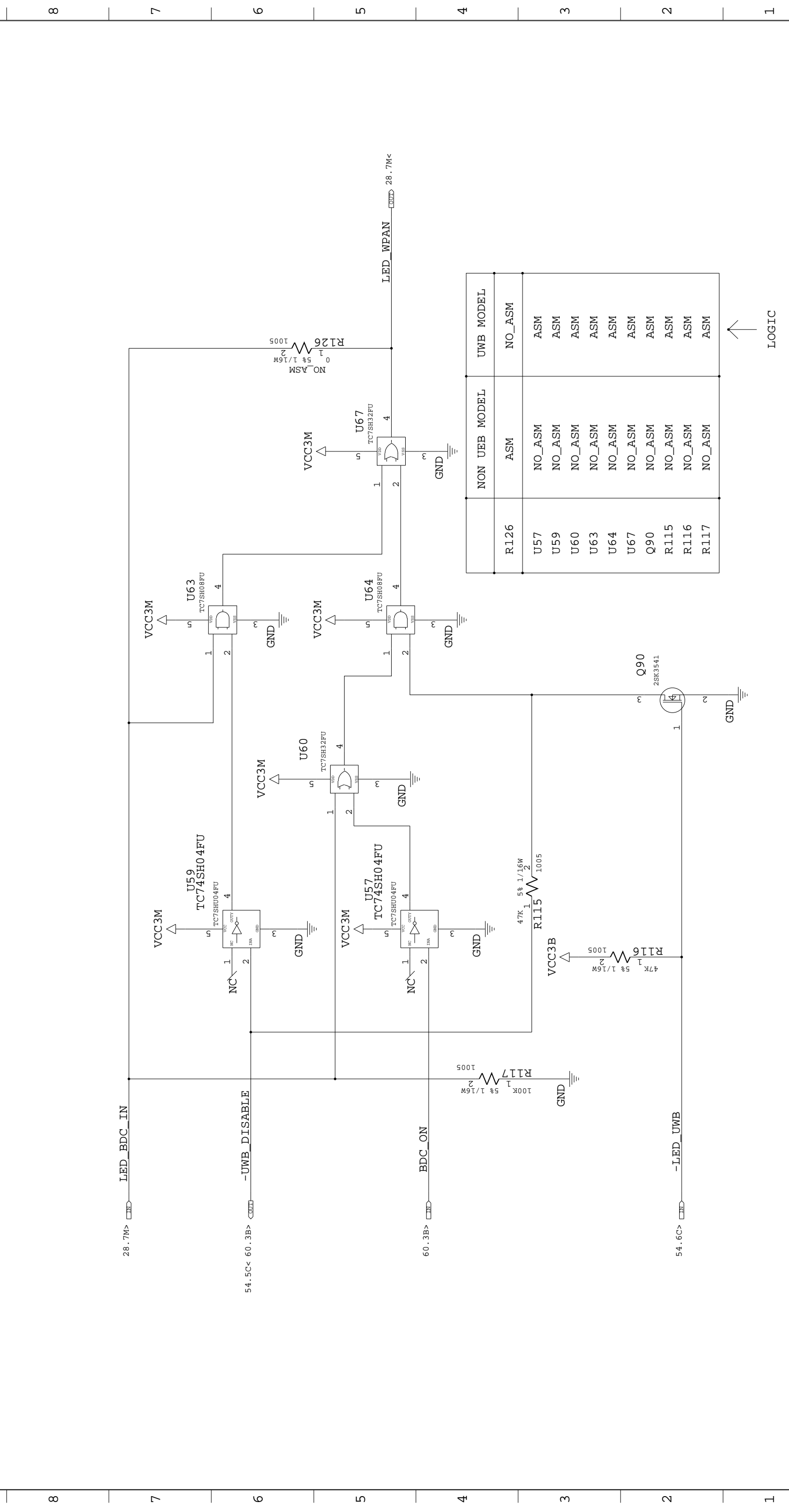


DESIGNER	Y. Y	02/08/07	PART NO.
CHECKED	Y. I	02/08/07	42W9239
APPROVED	H. K	02/08/07	TITLE GENBU-5W
CLASS	H. K	02/08/07	CRT DDC CLK/DATA

THIS DOCUMENT IS THE PROPERTY OF LENOVO. IT IS LOANED TO YOU FOR YOUR USE ONLY. IT IS NOT TO BE REPRODUCED OR TRANSMITTED IN ANY FORM OR BY ANY MEANS, ELECTRONIC OR MECHANICAL, INCLUDING PHOTOCOPYING, RECORDING, OR BY ANY INFORMATION STORAGE AND RETRIEVAL SYSTEM. FOR MORE INFORMATION, CONTACT YOUR LENOVO PURCHASING DEPARTMENT.

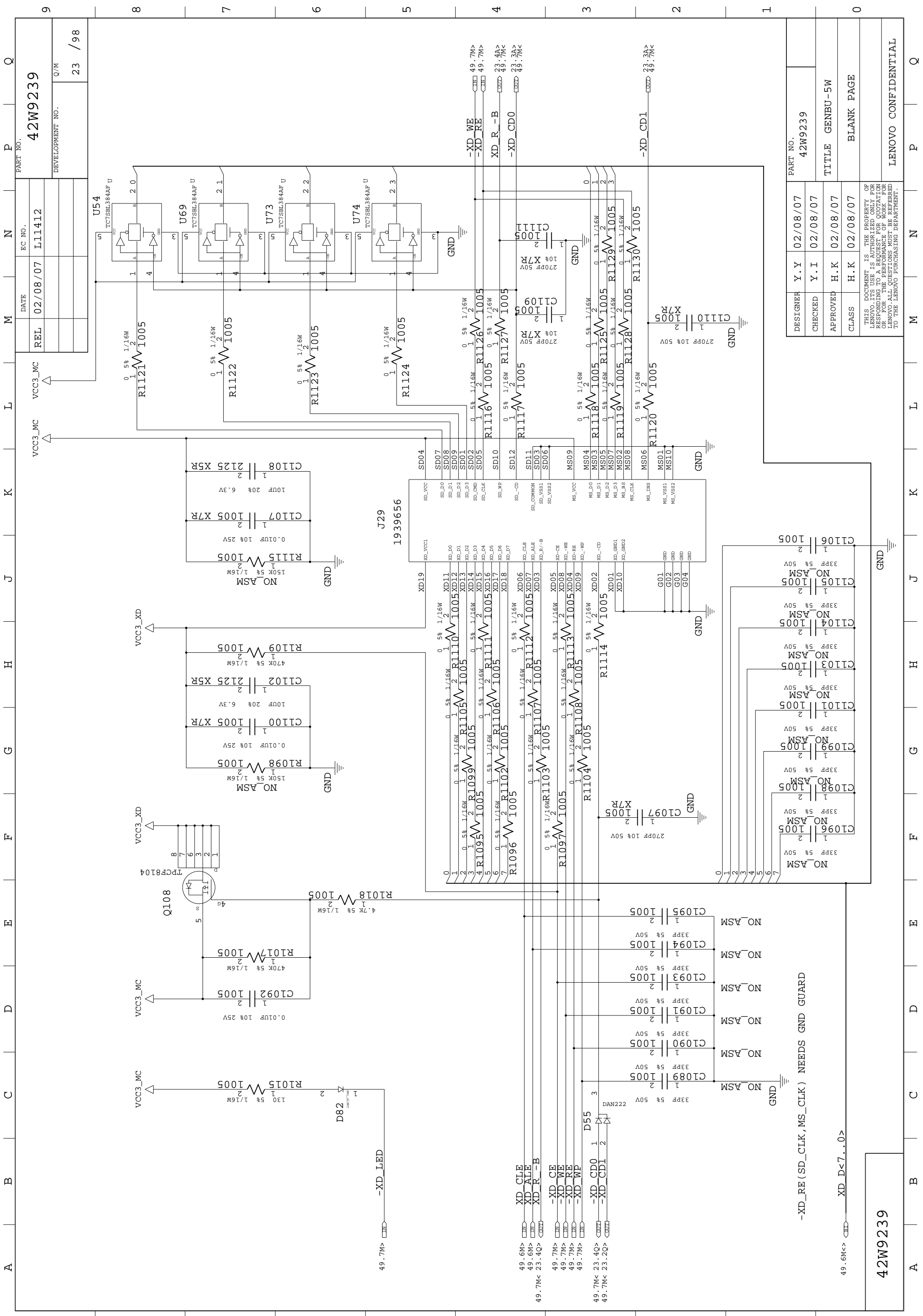
42W9239

LENOVO CONFIDENTIAL



DESIGNER	Y. Y	02/08/07	PART NO.
CHECKED	Y. I	02/08/07	42W9239
APPROVED	H. K	02/08/07	TITLE GENBU-5W
CLASS	H. K	02/08/07	WPAN LED CONTROL

THIS DOCUMENT IS THE PROPERTY OF  
 LEADERSHIP COMPUTERS. IT IS TO BE  
 USED ONLY FOR THE PURPOSES  
 SPECIFIED IN THE TITLE. IT IS NOT TO BE  
 REPRODUCED OR TRANSMITTED IN ANY  
 FORM OR BY ANY MEANS, ELECTRONIC  
 OR MECHANICAL, INCLUDING PHOTOCOPYING,  
 RECORDING, OR BY ANY INFORMATION  
 STORAGE AND RETRIEVAL SYSTEM, WITHOUT  
 PERMISSION IN WRITING FROM THE  
 LEADERSHIP COMPUTERS PURCHASING  
 DEPARTMENT. ALL QUESTIONS MUST BE REFERRED  
 TO THE LEADERSHIP COMPUTERS PURCHASING  
 DEPARTMENT.



DESIGNER	Y.Y	02/08/07	PART NO.	42W9239
CHECKED	Y.I	02/08/07	TITLE	GENBU-5W
APPROVED	H.K	02/08/07	CLASS	BLANK PAGE
CLASS	H.K	02/08/07	THIS DOCUMENT IS THE PROPERTY OF LENOVO. IT IS LOANED TO YOU FOR YOUR USE ONLY. IT IS NOT TO BE REPRODUCED, COPIED, OR DISTRIBUTED WITHOUT THE WRITTEN PERMISSION OF LENOVO. ALL QUESTIONS MUST BE REFERRED TO THE LENOVO PURCHASING DEPARTMENT.	

42W9239

49.6M<> -XD\_D<7..0>

-XD\_RE(SD\_CLK, MS\_CLK) NEEDS GND GUARD

	A	B	C	D	E	F	G	H	J	K	L	M	N	P	Q
9												REL	DATE	EC NO.	PART NO.
												02/08/07	L11412		42W9239
8															
7															
6															
5															
4															
3															
2															
1															
0															

**BLANK PAGE**

42W9239

DESIGNER	Y. Y	02/08/07	PART NO.	42W9239
CHECKED	Y. I	02/08/07	TITLE	GENBU-5W
APPROVED	H. K	02/08/07		BLANK PAGE
CLASS	H. K	02/08/07		
<small>THIS DOCUMENT IS THE PROPERTY OF LENOVO. IT IS LOANED TO YOUR COMPANY FOR YOUR REVIEW ONLY AND IS NOT TO BE REPRODUCED OR DISTRIBUTED OUTSIDE YOUR COMPANY WITHOUT THE WRITTEN PERMISSION OF LENOVO. ALL QUESTIONS MUST BE REFERRED TO THE LENOVO PURCHASING DEPARTMENT.</small>				





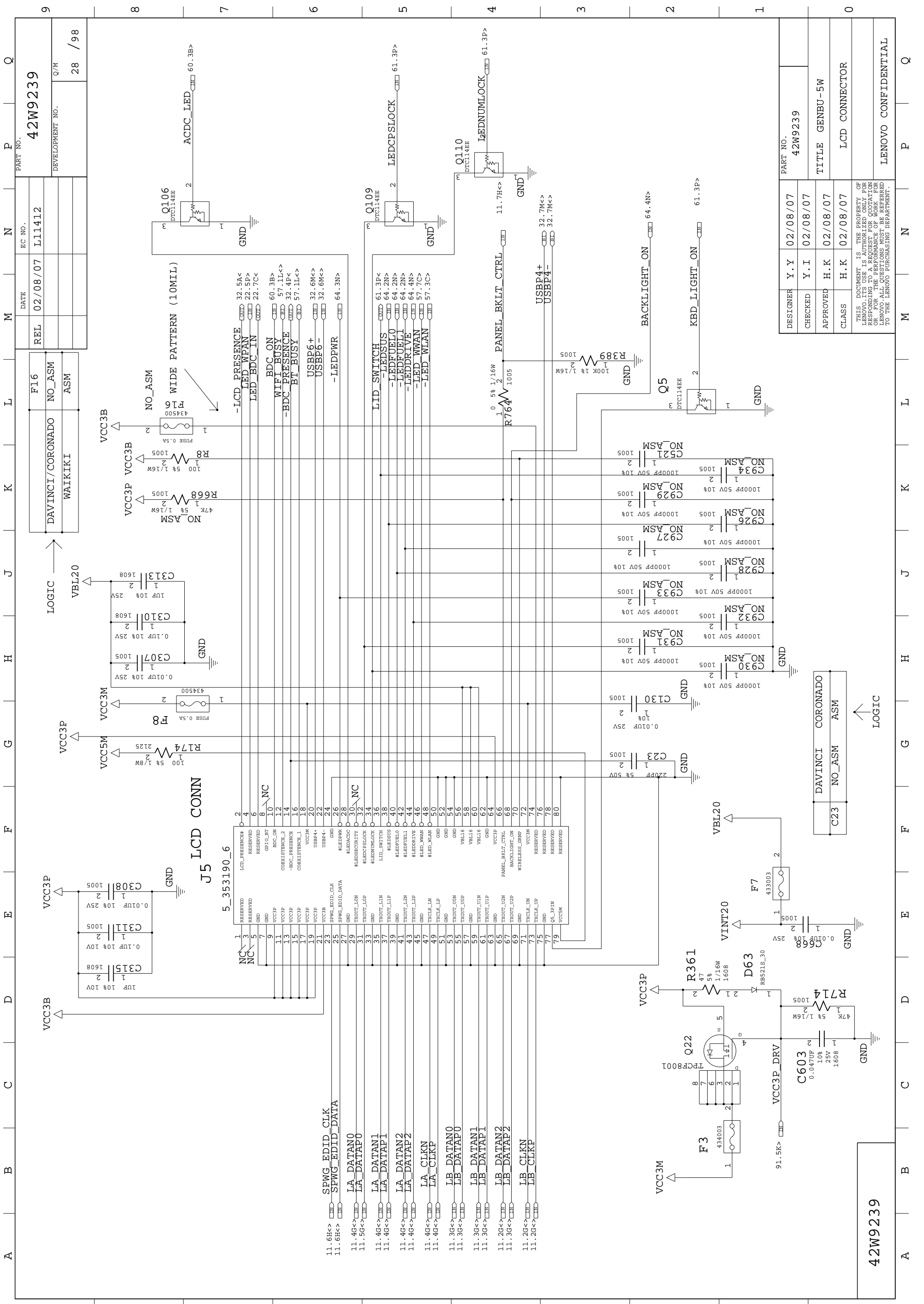


BLANK PAGE

REL	DATE	EC NO.	PART NO.	Q
	02/08/07	L11412	42W9239	
			DEVELOPMENT NO.	
			Q/M	
			27 / 98	

DESIGNER	Y. Y	02/08/07	PART NO.	Q
CHECKED	Y. I	02/08/07	42W9239	
APPROVED	H. K	02/08/07	TITLE	
CLASS	H. K	02/08/07	GENBU-5W	
<small>THIS DOCUMENT IS THE PROPERTY OF          LENOVO. IT IS LOANED TO YOU FOR          INFORMATION ONLY. IT IS NOT TO BE          REPRODUCED OR TRANSMITTED IN ANY          FORM OR BY ANY MEANS, ELECTRONIC          OR MECHANICAL, INCLUDING PHOTOCOPYING,          RECORDING, OR BY ANY INFORMATION          SYSTEM. ALL QUESTIONS MUST BE REFERRED          TO THE LENOVO PURCHASING DEPARTMENT.</small>				
<small>LENOVO CONFIDENTIAL</small>				

42W9239



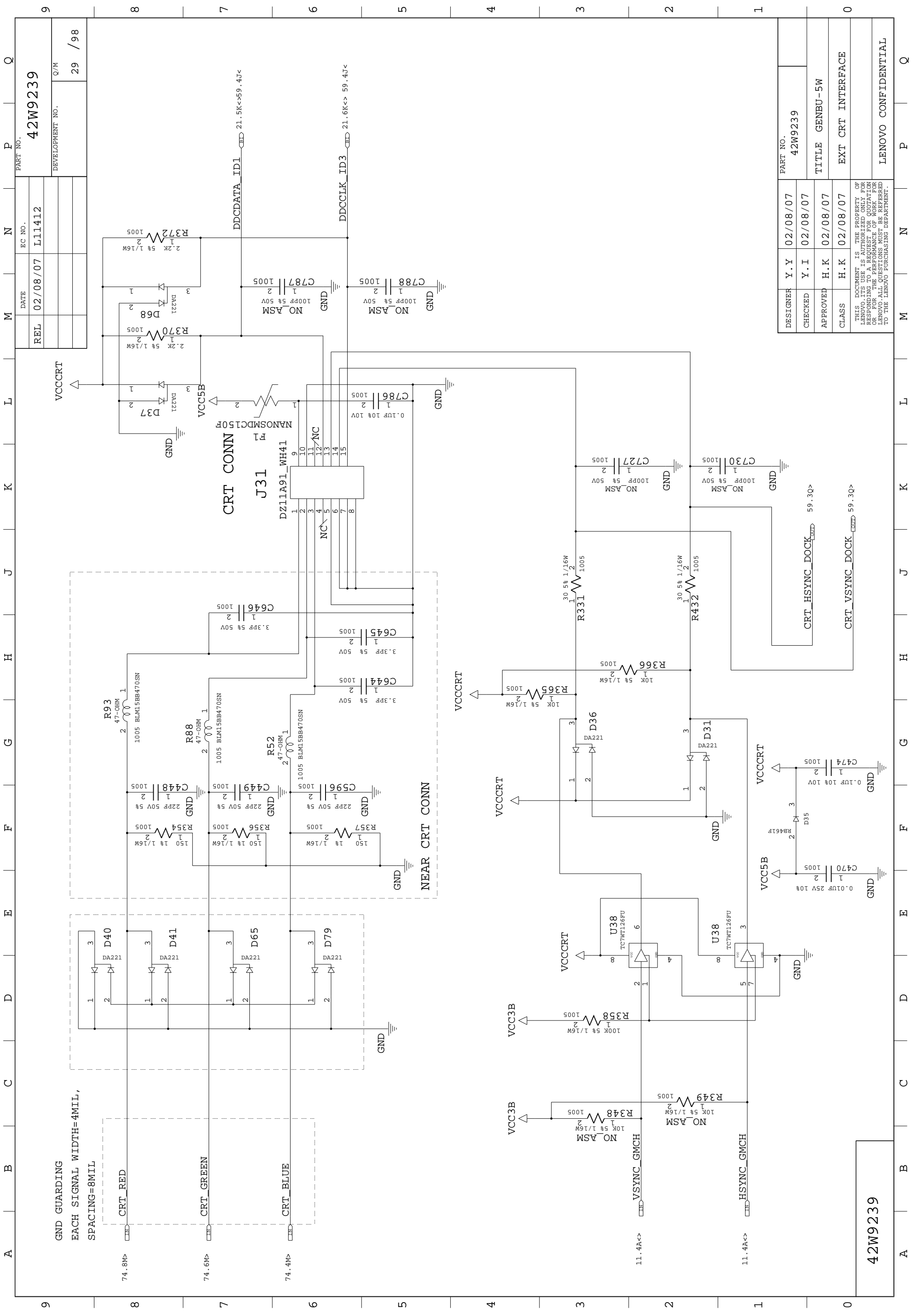
DESIGNER	Y. Y	02/08/07	42W9239
CHECKED	Y. I	02/08/07	
APPROVED	H. K	02/08/07	
CLASS	H. K	02/08/07	
<small>THIS DOCUMENT IS THE PROPERTY OF LENOVO. IT IS LOANED TO YOU BY LENOVO AND IS TO BE USED ONLY FOR RESPONDING TO A REQUEST FOR QUOTATION OR FOR THE PERFORMANCE OF WORK FOR LENOVO. ALL QUESTIONS MUST BE REFERRED TO THE LENOVO PURCHASING DEPARTMENT.</small>			

PART NO.	42W9239		
TITLE	GENBU-5W		
CLASS	LCD CONNECTOR		

DAVINCI CORONADO	NO_ASM	ASM
C23		

42W9239

A B C D E F G H J K L M N P Q  
0 1 2 3 4 5 6 7 8 9



GND GUARDING  
EACH SIGNAL WIDTH=4MIL,  
SPACING=8MIL

74.8M>

CRT\_RED

CRT\_GREEN

CRT\_BLUE

11.4A<>

VSYNC\_GMCH

HSYNC\_GMCH

DDCCLK\_ID3

DDCDATA\_ID1

VCC3B

VCC5B

VCCCRT

NO\_ASM

NO\_ASM

NO\_ASM

NO\_ASM

NO\_ASM

NO\_ASM

DESIGNER	Y. Y	02/08/07	PART NO.	42W9239
CHECKED	Y. I	02/08/07	TITLE	GENBU-5W
APPROVED	H. K	02/08/07	EXT CRT INTERFACE	
CLASS	H. K	02/08/07		

THIS DOCUMENT IS THE PROPERTY OF  
LENOVO. IT IS LOANED TO YOU FOR  
YOUR USE ONLY. IT IS NOT TO BE  
REPRODUCED OR TRANSMITTED IN  
ANY FORM OR BY ANY MEANS,  
ELECTRONIC OR MECHANICAL,  
INCLUDING PHOTOCOPYING, RECORDING,  
OR BY ANY INFORMATION STORAGE  
RETRIEVAL SYSTEM. ALL RIGHTS ARE  
RESERVED. FOR MORE INFORMATION,  
CONTACT YOUR MANAGER OR THE  
LENOVO-ALL QUESTIONS MUST BE REFERRED  
TO THE LENOVO PURCHASING DEPARTMENT.

42W9239

CRT\_HSYNC\_DOCK

CRT\_VSYNC\_DOCK

NO\_ASM

NO\_ASM

NO\_ASM

NO\_ASM

NO\_ASM

NO\_ASM

NO\_ASM

NO\_ASM

NO\_ASM

NO\_ASM

NO\_ASM

NO\_ASM

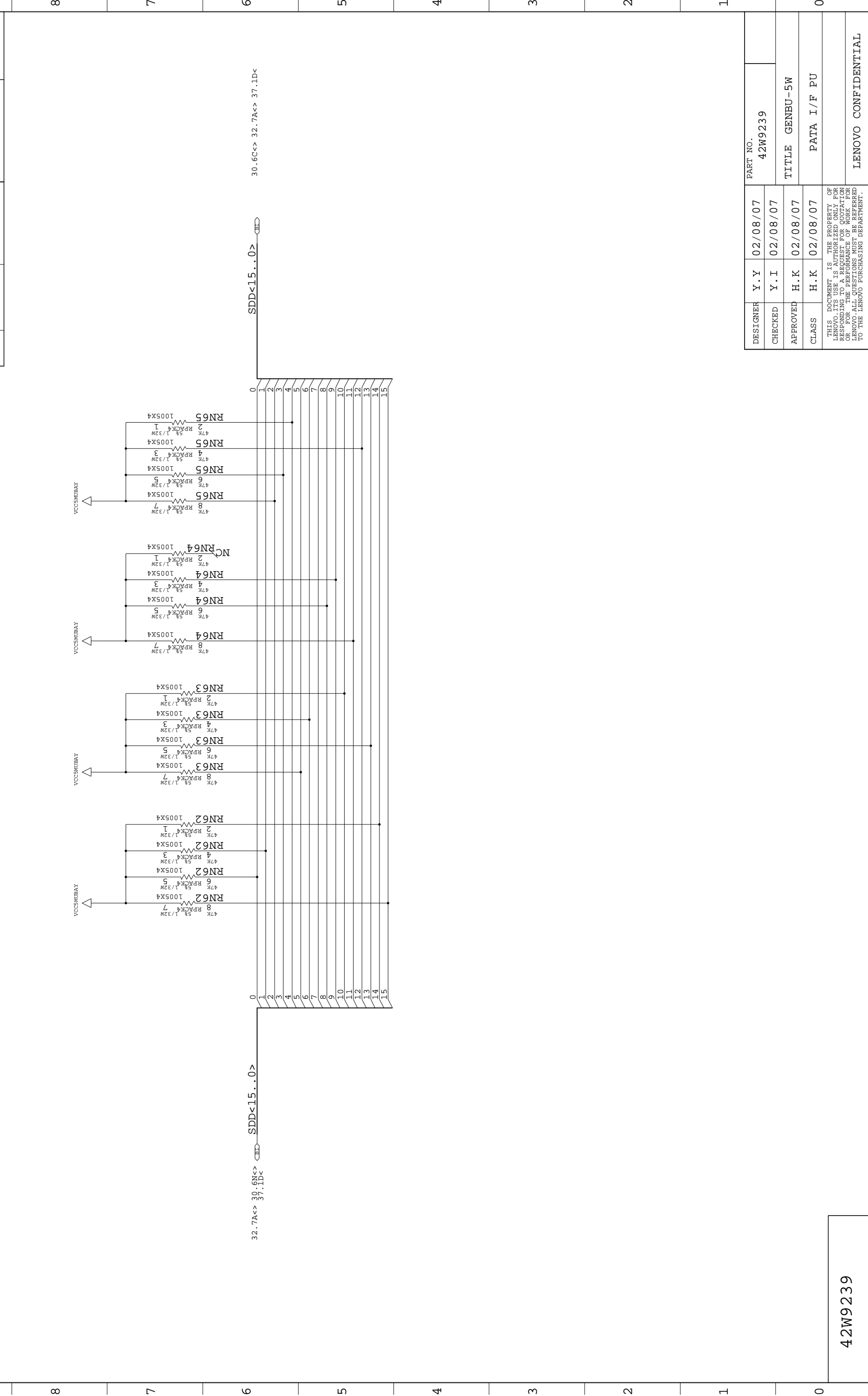
NO\_ASM

NO\_ASM

NO\_ASM

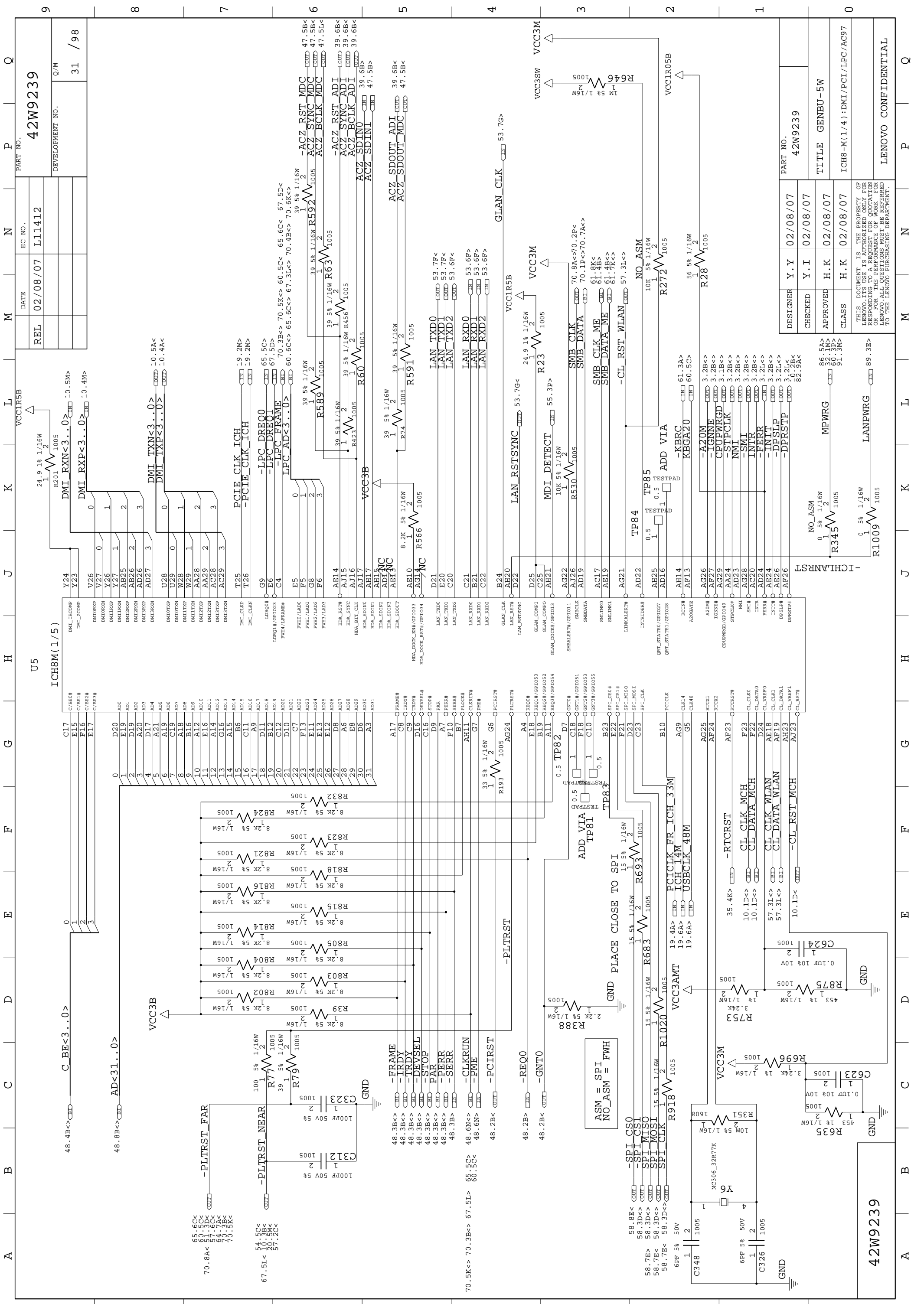
NO\_ASM

REL	02/08/07	L11412	42W9239
			DEVELOPMENT NO. Q/M
			30 / 98



DESIGNER	Y. Y	02/08/07	PART NO.	42W9239
CHECKED	Y. I	02/08/07	TITLE	GENBU-5W
APPROVED	H. K	02/08/07	CLASS	PATA I/F PU
<p>THIS DOCUMENT IS THE PROPERTY OF LENOVO. IT IS LOANED TO YOU FOR USE ONLY. IT IS NOT TO BE REPRODUCED OR TRANSMITTED IN ANY FORM OR BY ANY MEANS, ELECTRONIC OR MECHANICAL, INCLUDING PHOTOCOPYING, RECORDING, OR BY ANY INFORMATION STORAGE AND RETRIEVAL SYSTEM. ALL RIGHTS ARE RESERVED. FOR MORE INFORMATION, CONTACT THE LENOVO PURCHASING DEPARTMENT.</p>				

42W9239

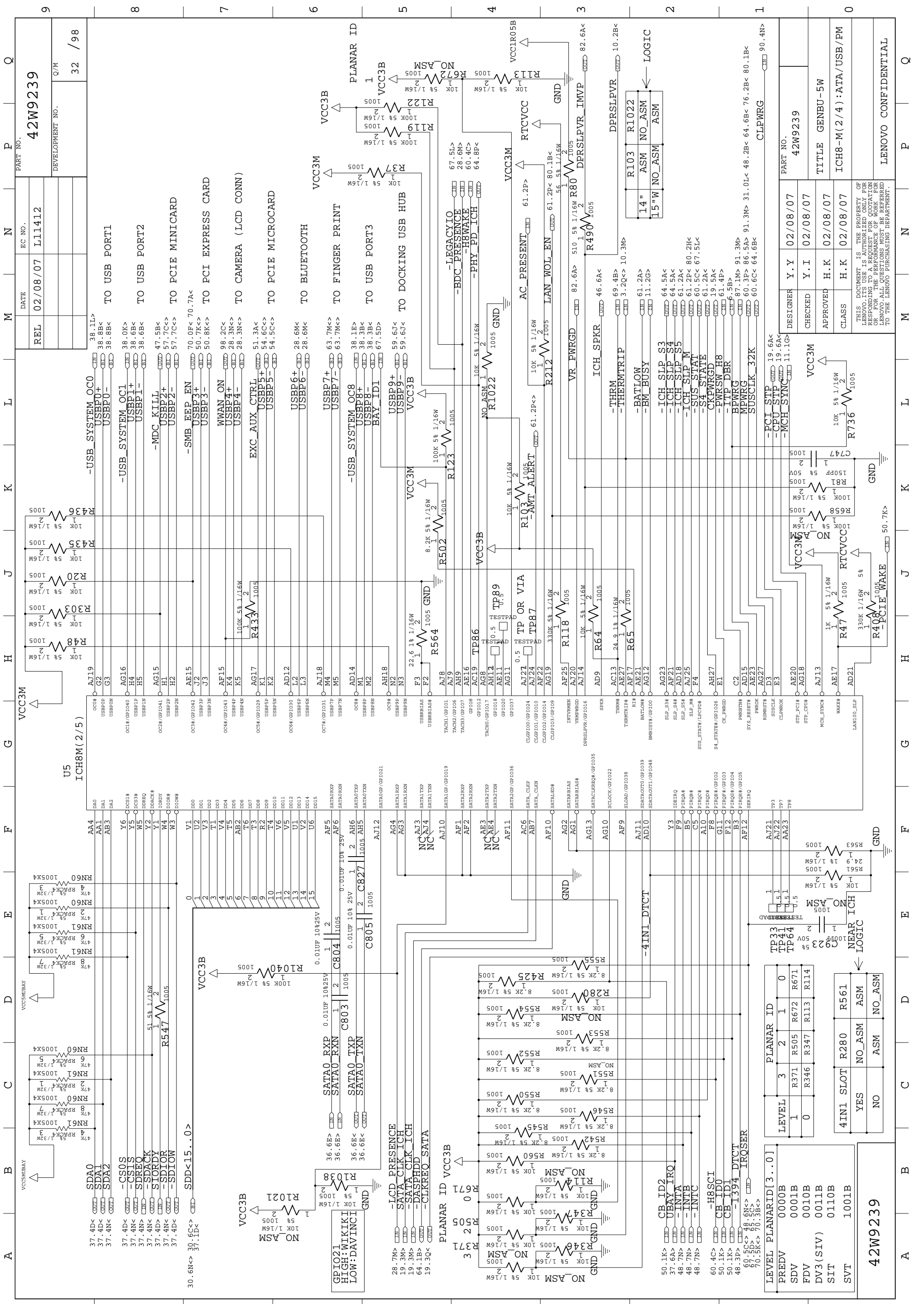


REL	02/08/07	L11412	42W9239
DEVELOPMENT NO.			31 / 98

DESIGNER	Y. Y	02/08/07	PART NO.	42W9239
CHECKED	Y. I	02/08/07	TITLE	GENBU-5W
APPROVED	H. K	02/08/07	IC#	M(1/4) : DMI/PCI/LPC/AC97
CLASS	H. K	02/08/07		

THIS DOCUMENT IS THE PROPERTY OF LENOVO. IT IS LOANED TO YOU FOR USE ONLY. IT IS NOT TO BE REPRODUCED OR TRANSMITTED IN ANY FORM OR BY ANY MEANS, ELECTRONIC OR MECHANICAL, INCLUDING PHOTOCOPYING, RECORDING, OR BY ANY INFORMATION STORAGE AND RETRIEVAL SYSTEM. ALL RIGHTS ARE RESERVED. FOR MORE INFORMATION, CONTACT THE LENOVO PURCHASING DEPARTMENT.

42W9239



REL	02/08/07	L11412	42W9239
DATE	02/08/07	L11412	42W9239
EC NO.			
PART NO.			
DEVELOPMENT NO.			
			32 / 98

DESIGNER	Y.Y	02/08/07	42W9239	
CHECKED	Y.I	02/08/07		
APPROVED	H.K	02/08/07		
CLASS	H.K	02/08/07		
THIS DOCUMENT IS THE PROPERTY OF LENOVO. IT IS TO BE USED ONLY FOR THE PURPOSES SPECIFIED IN THE TITLE. ANY REUSE OR REPRODUCTION OF THIS DOCUMENT WITHOUT THE WRITTEN PERMISSION OF LENOVO IS STRICTLY PROHIBITED. ALL QUESTIONS MUST BE REFERRED TO THE LENOVO PURCHASING DEPARTMENT.				
LEVEL PLANARID[3..0]				
PREDV	0000B			
SDV	0001B			
FDV	0010B			
DV3(SIV)	0011B			
SIT	0110B			
SVT	1001B			
PLANAR ID				
LEVEL	3	2	1	0
R371	R505	R672	R671	
R346	R347	R113	R114	
4IN1 SLOT	R280	R561	ASM	NO_ASM
YES	NO_ASM	ASM	NO_ASM	
NO	ASM	NO_ASM		
42W9239				
LENOVO CONFIDENTIAL				



REL	DATE	EC NO.	PART NO.
	02/08/07	L11412	42W9239
			DEVELOPMENT NO.
			33 / 98

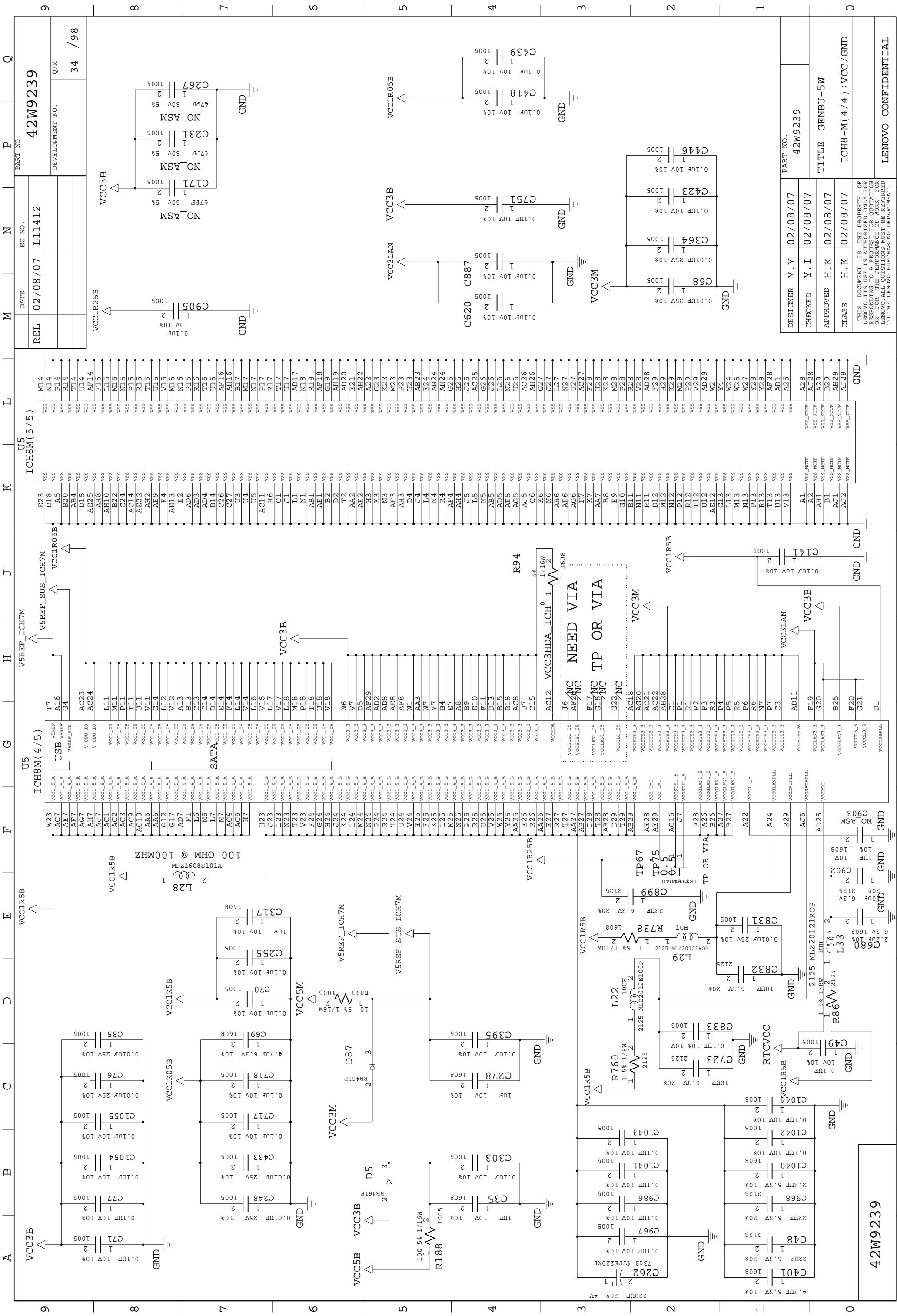
U5  
 ICH8M(3/5)

57.7L>	PCIE_WWAN_RXP	P26	PERP1	0.1UF 10% 10V	N28	PCIE_WWAN_TXP	57.7L<
57.6L>	PCIE_WWAN_RXN	P27	PERP1	0.1UF 10% 10V	N29	PCIE_WWAN_TXN	57.7L<
57.2L>	PCIE_WLAN_RXP	M26	PERP2	0.1UF 10% 10V	L28	PCIE_WLAN_TXP	57.3L<
57.2L>	PCIE_WLAN_RXN	M27	PERP2	0.1UF 10% 10V	L29	PCIE_WLAN_TXN	57.2L<
67.5L>	PCIE_BAY_DEVICE_RXP	K26	PERP3	0.1UF 10% 10V	J28	PCIE_BAY_DEVICE_TXP	67.4L>
67.5L>	PCIE_BAY_DEVICE_RXN	K27	PERP3	0.1UF 10% 10V	J29	PCIE_BAY_DEVICE_TXN	67.4L>
50.5K>	PCIE_EXC_RXP	H26	PERP4	0.1UF 10% 10V	G28	PCIE_EXC_TXP	50.5K<
50.5K>	PCIE_EXC_RXN	H27	PERP4	0.1UF 10% 10V	G29	PCIE_EXC_TXN	50.5K<
59.6A>	PCIE_DOCK_RX1P	F26	PERP5	0.1UF 10% 10V	E28	PCIE_DOCK_TX1P	59.5H<
59.5A>	PCIE_DOCK_RX1N	F27	PERP5	0.1UF 10% 10V	E29	PCIE_DOCK_TX1N	59.5H<
53.6F>	GLAN_RXP	D26	PERP6/GLAN_RXP	0.1UF 10% 10V	C28	GLAN_TXP	53.6F<
53.6F>	GLAN_RXN	D27	PERP6/GLAN_RXN	0.1UF 10% 10V	C29	GLAN_TXN	53.6F<

DESIGNER	Y.Y	02/08/07	PART NO.
CHECKED	Y.I	02/08/07	42W9239
APPROVED	H.K	02/08/07	TITLE GENBU-5W
CLASS	H.K	02/08/07	ICH8-M(3/4):PCI EXPRESS

42W9239

THIS DOCUMENT IS THE PROPERTY OF  
 LENOVO. IT IS TO BE USED ONLY FOR  
 THE PROJECT AND FOR THE QUANTITIES  
 SPECIFIED THEREIN. IT IS NOT TO BE  
 REPRODUCED, COPIED, OR  
 TRANSMITTED IN ANY FORM OR BY  
 ANY MEANS, ELECTRONIC OR  
 MECHANICAL, INCLUDING PHOTOCOPYING,  
 RECORDING, OR BY ANY INFORMATION  
 STORAGE AND RETRIEVAL SYSTEM,  
 WITHOUT THE WRITTEN PERMISSION OF  
 LENOVO. ALL QUESTIONS MUST BE REFERRED  
 TO THE LENOVO PURCHASING DEPARTMENT.

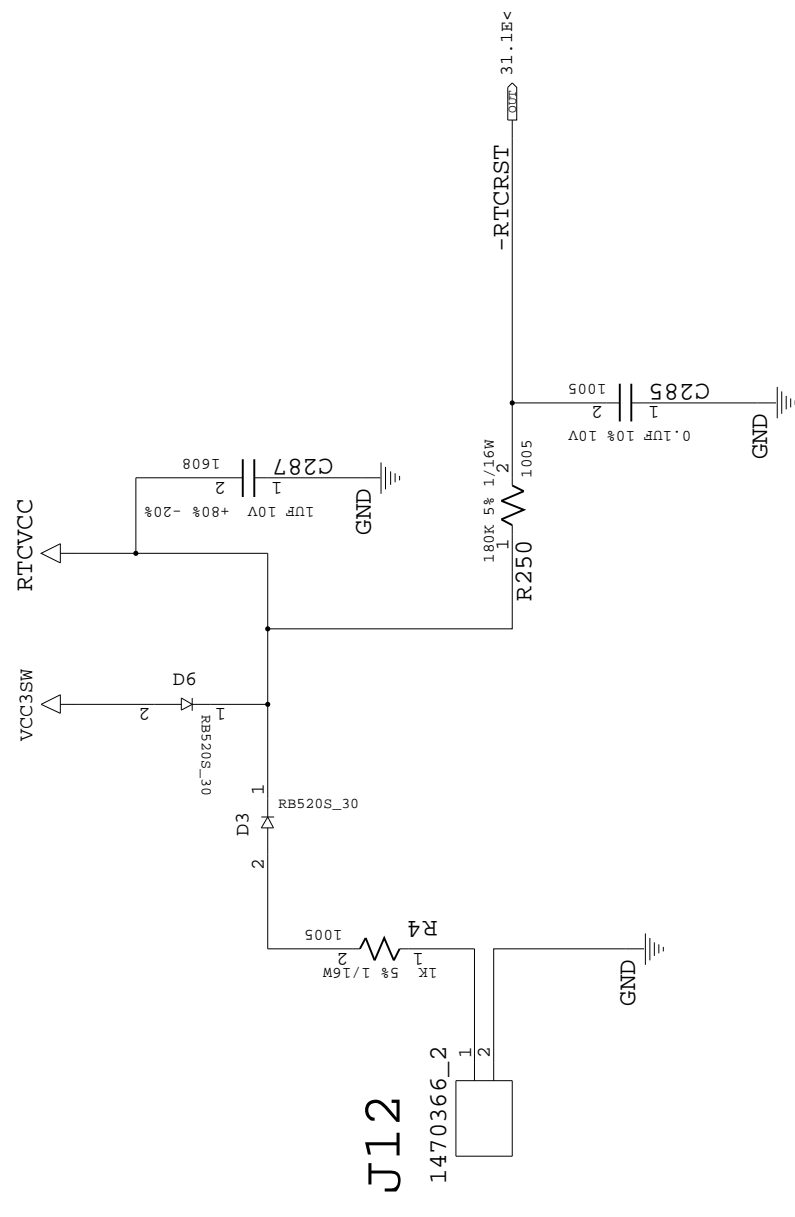


REL	DATE	EC NO.	PART NO.
02/08/07	02/08/07	L11412	42W9239
			DEVELOPMENT NO. 34 / 98
DESIGNER	Y. Y	02/08/07	PART NO. 42W9239
CHECKED	Y. I	02/08/07	TITLE GENBU-5W
APPROVED	H. K	02/08/07	IC88-M(4/4):VCC/GND
CLASS	H. K	02/08/07	

THIS DOCUMENT IS THE PROPERTY OF  
LENOVO. IT IS LOANED TO YOU FOR  
YOUR USE ONLY. IT IS TO BE RETURNED  
RESPONDING TO A REQUEST FOR QUOTATION  
OR FOR THE PERFORMANCE OF WORK FOR  
LENOVO. ALL QUESTIONS MUST BE REFERRED  
TO THE LENOVO PURCHASING DEPARTMENT.

LENOVO CONFIDENTIAL

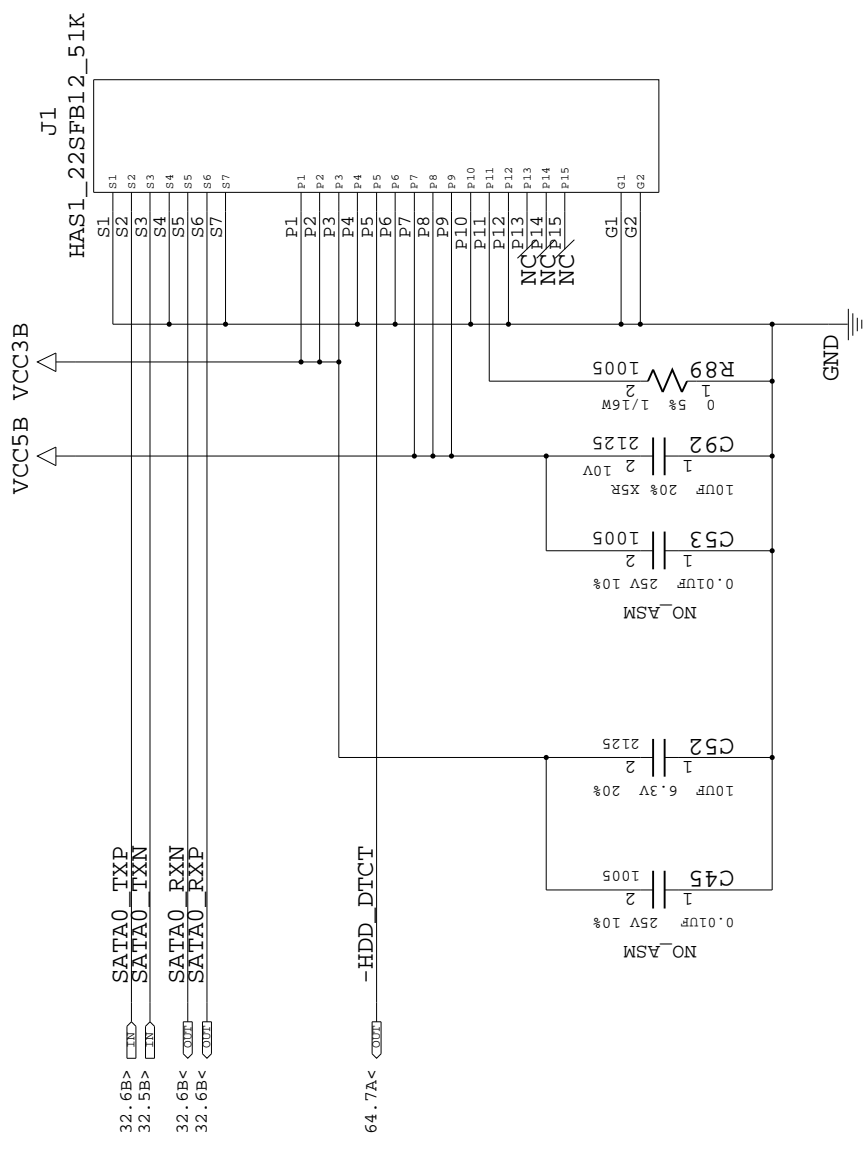
REL	02/08/07	L11412	42W9239
			DEVELOPMENT NO. Q/M
			35 / 98



DESIGNER	Y. Y	02/08/07	PART NO.	42W9239
CHECKED	Y. I	02/08/07	TITLE	GENBU-5W
APPROVED	H. K	02/08/07	CLASS	FWH, RTC BATTERY
<small>THIS DOCUMENT IS THE PROPERTY OF LENOVO. IT IS LOANED TO YOU FOR YOUR USE ONLY. IT IS NOT TO BE REPRODUCED OR TRANSMITTED IN ANY FORM OR BY ANY MEANS, ELECTRONIC OR MECHANICAL, INCLUDING PHOTOCOPYING, RECORDING, OR BY ANY INFORMATION STORAGE AND RETRIEVAL SYSTEM, WITHOUT PERMISSION IN WRITING FROM LENOVO. ALL QUESTIONS MUST BE REFERRED TO THE LENOVO PURCHASING DEPARTMENT.</small>				

42W9239

REL	02/08/07	L11412	42W9239
			DEVELOPMENT NO.
			36 / 98

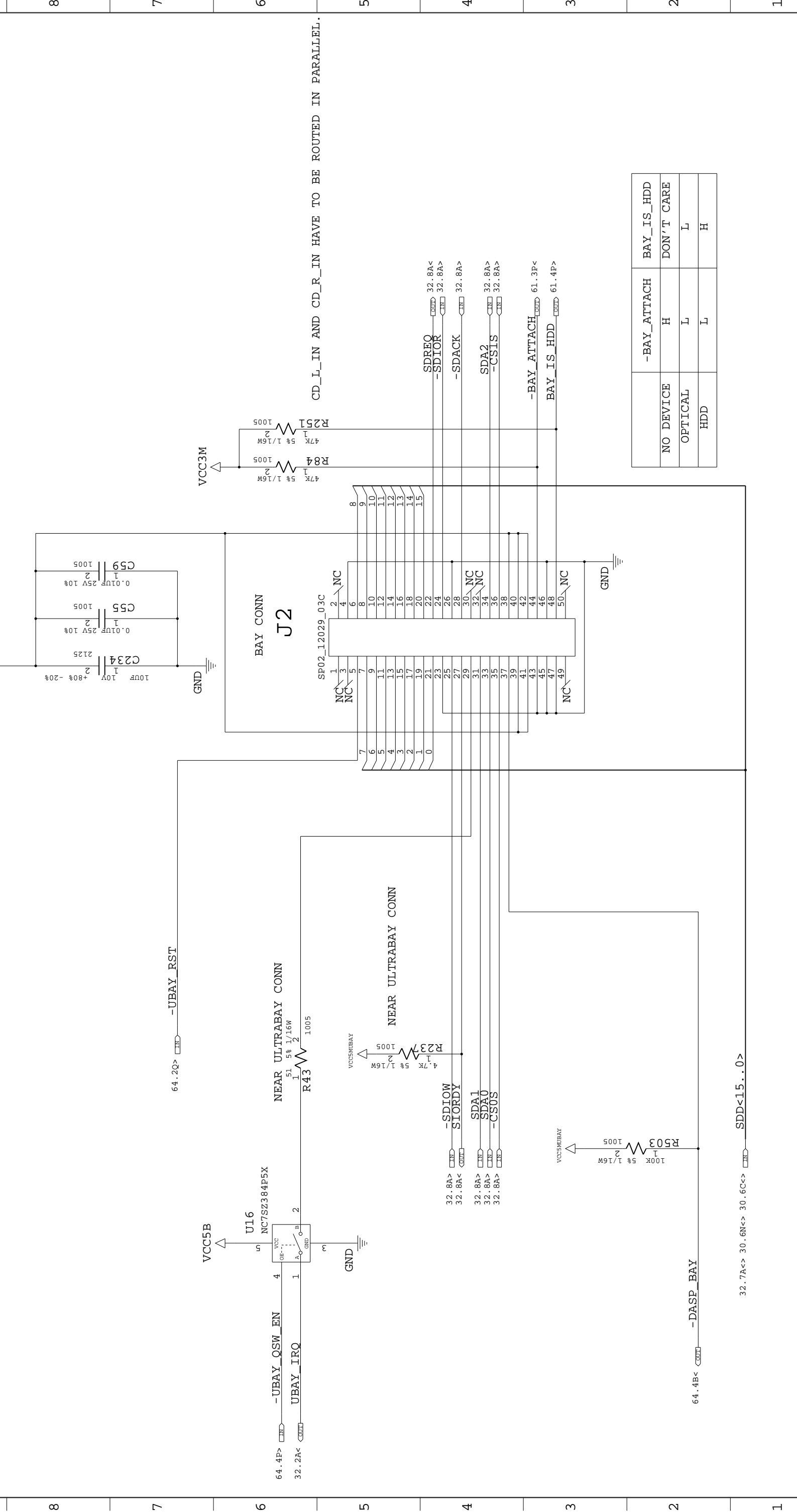


DESIGNER	Y. Y	02/08/07	PART NO.	42W9239
CHECKED	Y. I	02/08/07	TITLE	GENBU-5W
APPROVED	H. K	02/08/07	CLASS	SATA HDD CONN
THIS DOCUMENT IS THE PROPERTY OF LENOVO. IT IS LOANED TO YOU FOR YOUR USE ONLY. IT IS NOT TO BE REPRODUCED OR TRANSMITTED IN ANY FORM OR BY ANY MEANS, ELECTRONIC OR MECHANICAL, INCLUDING PHOTOCOPYING, RECORDING, OR BY ANY INFORMATION STORAGE AND RETRIEVAL SYSTEM. ALL RIGHTS ARE RESERVED. FOR MORE INFORMATION, CONTACT THE LENOVO PURCHASING DEPARTMENT.				

42W9239

LENOVO CONFIDENTIAL

REL	02/08/07	L11412	42W9239
			DEVELOPMENT NO. 37 / 98

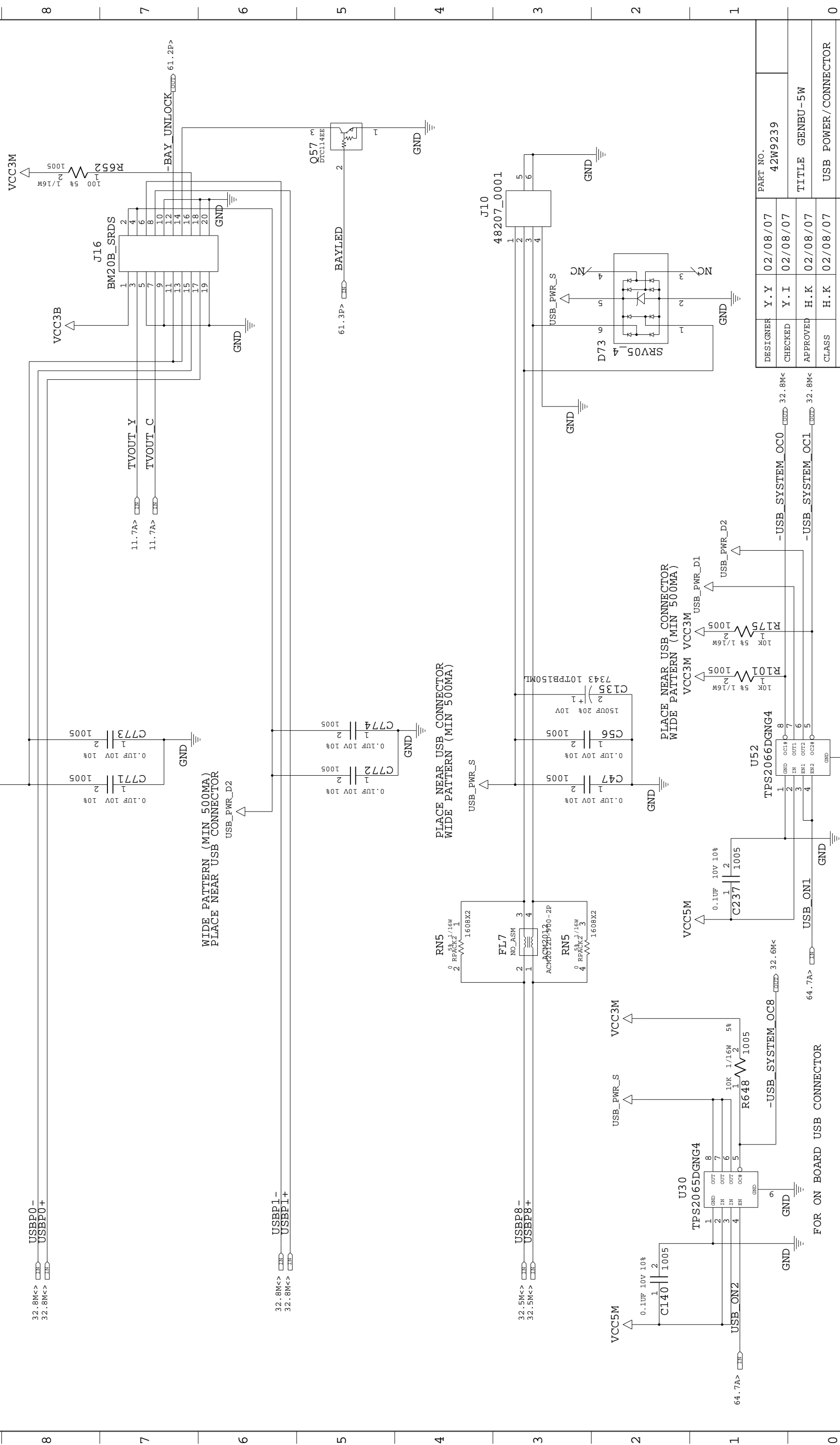


NO DEVICE	H	-BAY_ATTACH	BAY_IS_HDD
OPTICAL	L		DON'T CARE
HDD	L		

DESIGNER	Y.Y	02/08/07	PART NO.	42W9239
CHECKED	Y.I	02/08/07	TITLE	GENBU-5W
APPROVED	H.K	02/08/07	CLASS	BAY I/F CONN
THIS DOCUMENT IS THE PROPERTY OF LENOVO. IT IS TO BE USED ONLY FOR THE PROJECT AND FOR THE PURPOSES SPECIFIED THEREIN. ANY REUSE OR DISTRIBUTION WITHOUT THE WRITTEN PERMISSION OF LENOVO PURCHASING DEPARTMENT IS STRICTLY PROHIBITED. ALL QUESTIONS MUST BE REFERRED TO THE LENOVO PURCHASING DEPARTMENT.				

42W9239

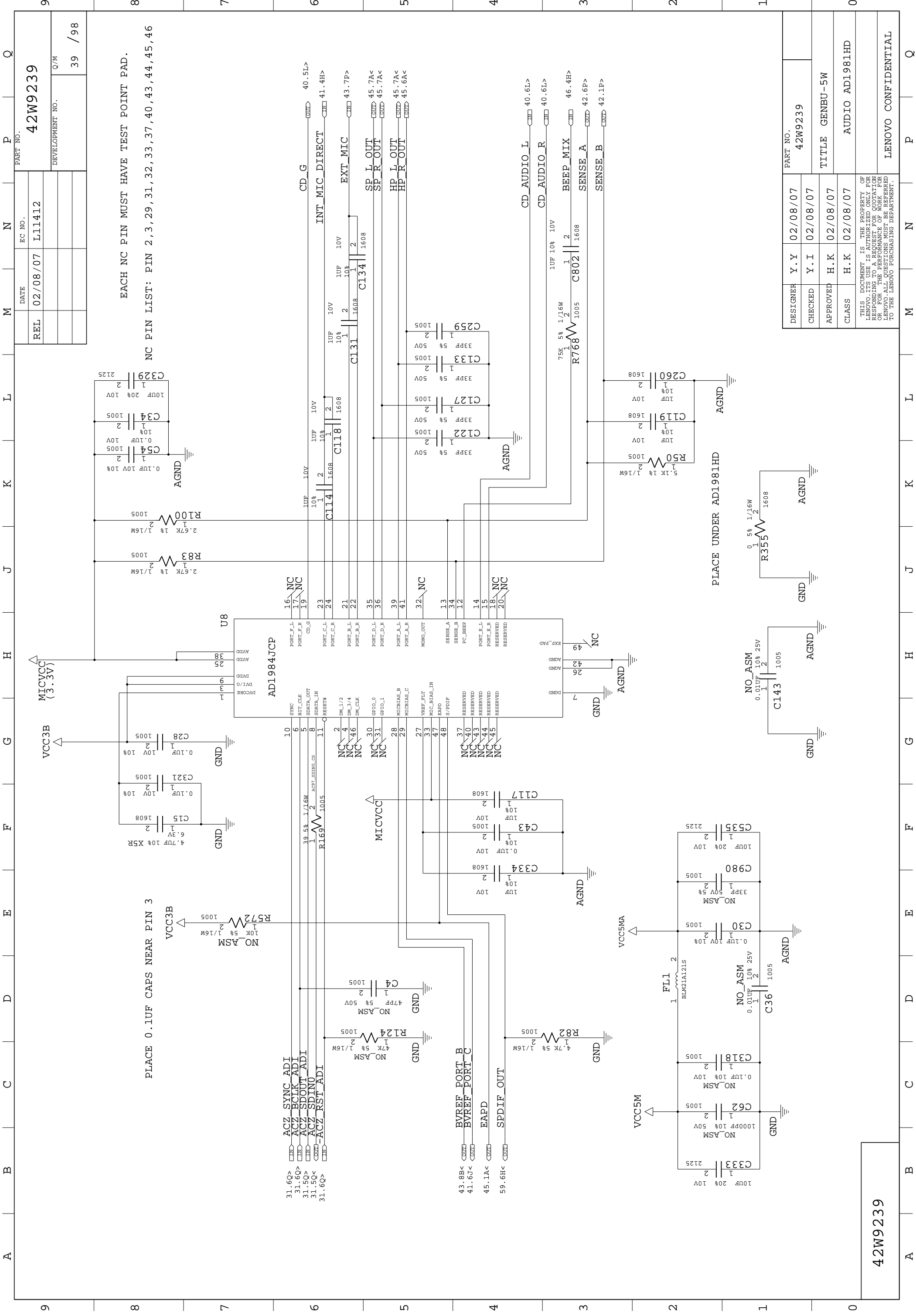
REL	DATE	EC NO.	PART NO.
	02/08/07	L11412	42W9239
			DEVELOPMENT NO.
			38 / 98



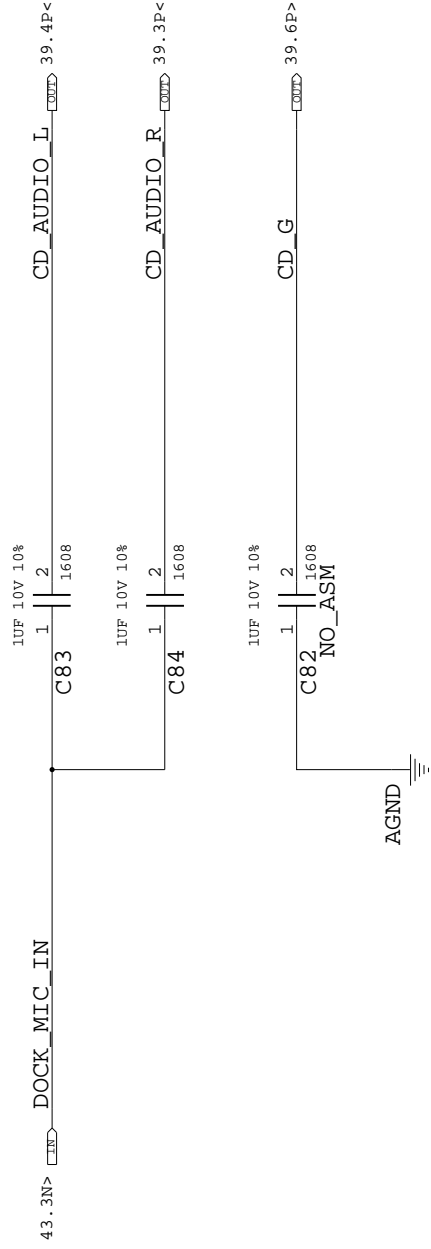
DESIGNER	Y. Y	02/08/07	PART NO.	42W9239
CHECKED	Y. I	02/08/07	TITLE	GENBU-5W
APPROVED	H. K	02/08/07		
CLASS	H. K	02/08/07		

THIS DOCUMENT IS THE PROPERTY OF  
LENOVO. IT IS LOANED TO YOU FOR USE ONLY.  
REPRODUCING OR TRANSMITTING IN ANY FORM OR  
BY ANY MEANS, WITHOUT PERMISSION IN WRITING  
FROM LENOVO, IS PROHIBITED. FOR INFORMATION  
OR FOR THE PERFORMANCE OF WORK. FOR  
LENOVO-ALL QUESTIONS MUST BE REFERRED  
TO THE LENOVO PURCHASING DEPARTMENT.

42W9239



REL	DATE	EC NO.	PART NO.
	02/08/07	L11412	42W9239
			DEVELOPMENT NO.
			40 / 98



CONTACT NEAR DOCKING CONN

DESIGNER	Y. Y	02/08/07	PART NO.
CHECKED	Y. I	02/08/07	42W9239
APPROVED	H. K	02/08/07	TITLE GENBU-5W
CLASS	H. K	02/08/07	AUDIO MISC

THIS DOCUMENT IS THE PROPERTY OF LENOVO. IT IS LOANED TO YOU FOR YOUR USE ONLY. IT IS NOT TO BE REPRODUCED OR TRANSMITTED IN ANY FORM OR BY ANY MEANS, ELECTRONIC OR MECHANICAL, INCLUDING PHOTOCOPYING, RECORDING, OR BY ANY INFORMATION STORAGE AND RETRIEVAL SYSTEM, WITHOUT PERMISSION IN WRITING FROM LENOVO. ALL QUESTIONS MUST BE REFERRED TO THE LENOVO PURCHASING DEPARTMENT.

42W9239

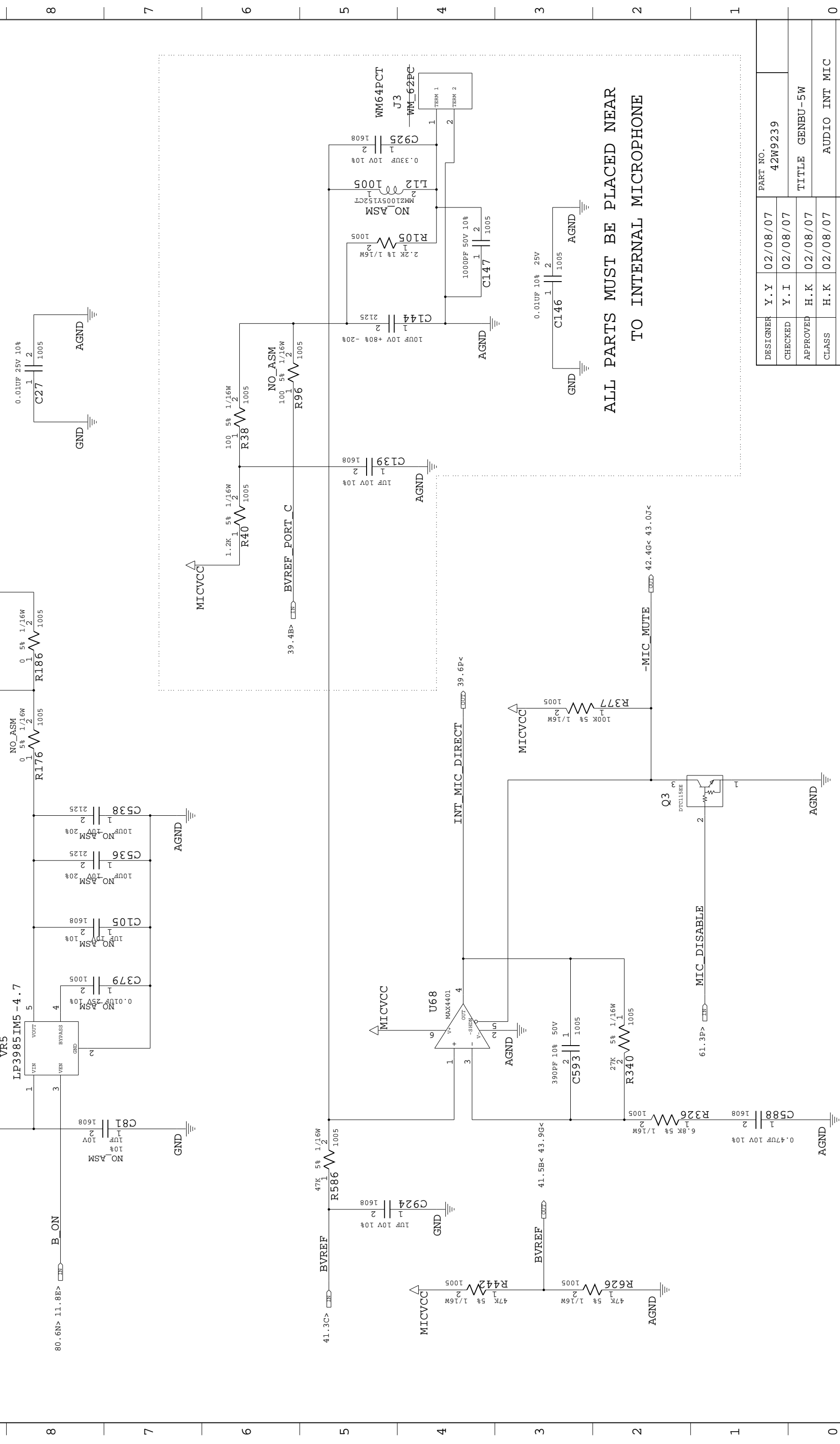
Grid labels: A, B, C, D, E, F, G, H, J, K, L, M, N, P, Q

Row labels: 0, 1, 2, 3, 4, 5, 6, 7, 8, 9

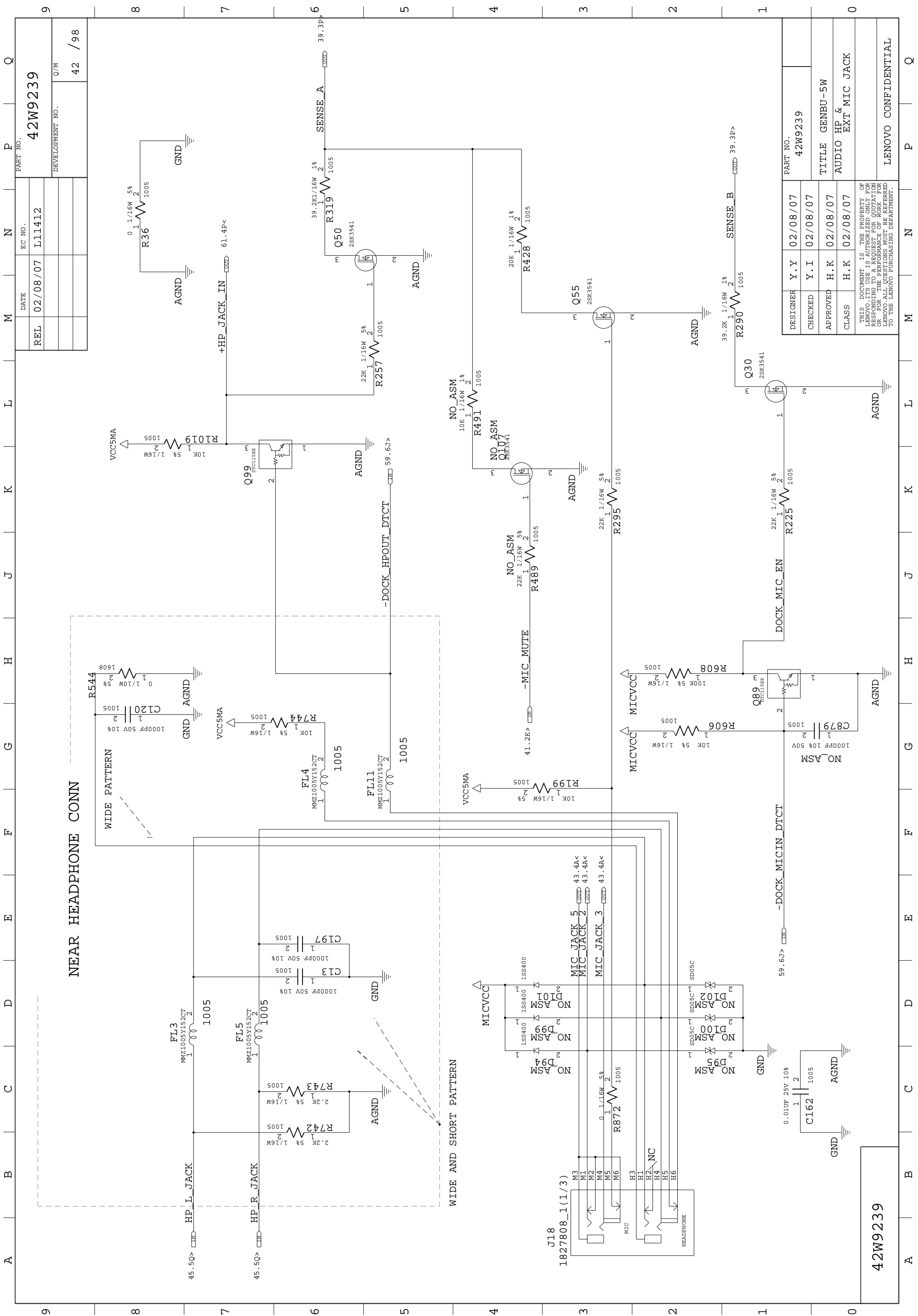


LD3985G47 (ST MICRO) IS ALTERNATIVES FOR VR5

REL	02/08/07	EC NO.	L11412	PART NO.	42W9239
		DATE		DEVELOPMENT NO.	Q/M
					41 / 98



DESIGNER	Y. Y	02/08/07	PART NO.	42W9239
CHECKED	Y. I	02/08/07	TITLE	GENBU-5W
APPROVED	H. K	02/08/07	CLASS	AUDIO INT MIC
THIS DOCUMENT IS THE PROPERTY OF LENOVO. IT IS TO BE USED ONLY FOR THE PROJECT AND FOR THE PURPOSES SPECIFIED THEREIN. IT IS NOT TO BE REPRODUCED, COPIED, OR TRANSMITTED IN ANY FORM OR BY ANY MEANS, ELECTRONIC OR MECHANICAL, INCLUDING PHOTOCOPYING, RECORDING, OR BY ANY INFORMATION SYSTEMS. ALL RIGHTS ARE RESERVED. LENOVO-ALL QUESTIONS MUST BE REFERRED TO THE LENOVO PURCHASING DEPARTMENT.				



NEAR HEADPHONE CONN

WIDE AND SHORT PATTERN

WIDE PATTERN

REL	02/08/07	L11412	42W9239
DATE		EC NO.	PART NO.
DEVELOPMENT NO.		42 / 98	

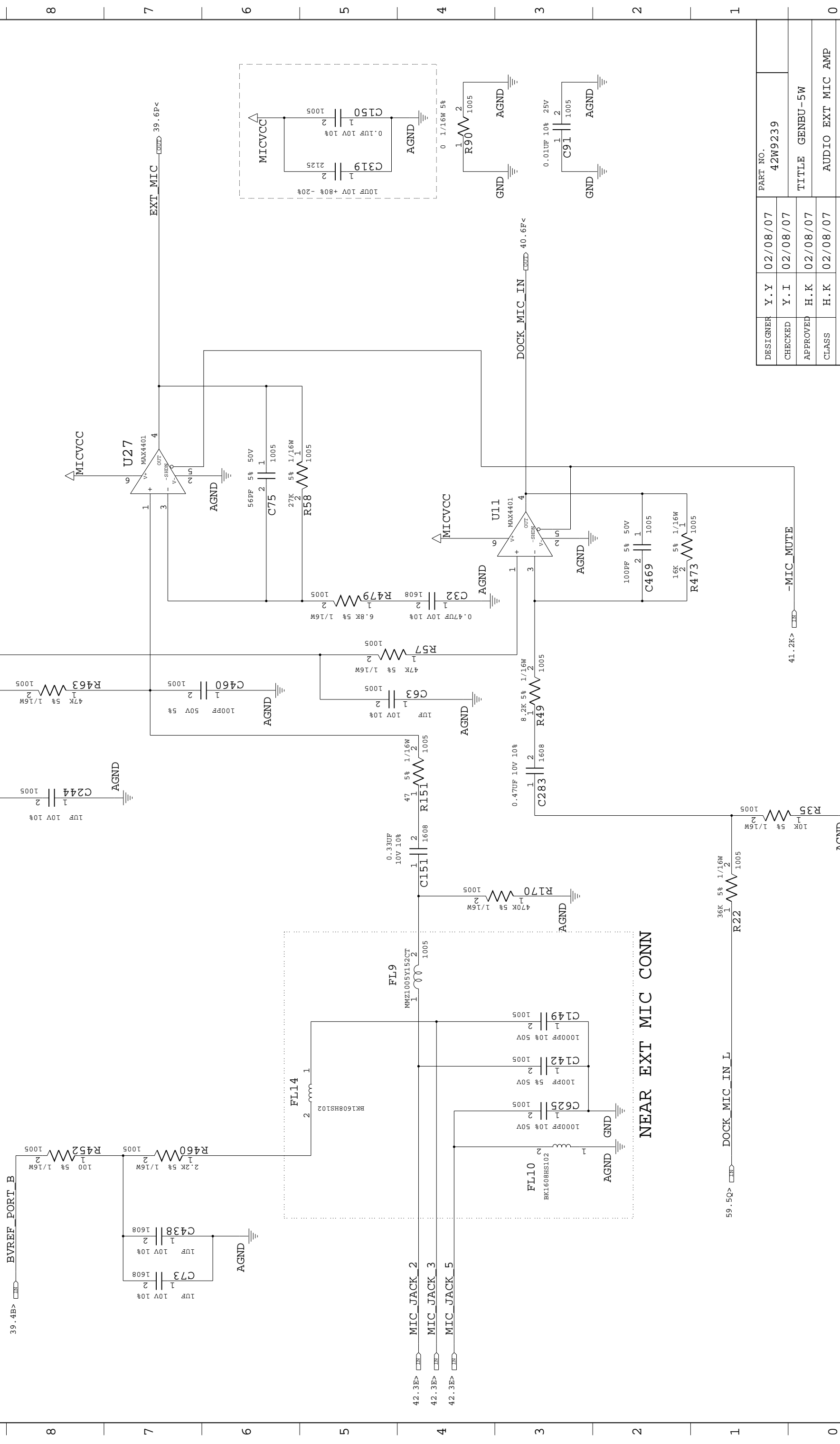
DESIGNER	Y. Y	02/08/07	42W9239
CHECKED	Y. I	02/08/07	
APPROVED	H. K	02/08/07	TITLE GENBU-5W
CLASS	H. K	02/08/07	AUDIO HP & EXT MIC JACK

THIS DOCUMENT IS THE PROPERTY OF  
LENOVO. IT IS TO BE USED ONLY IN  
RESPONSE TO A REQUEST FOR QUOTATION  
OR FOR THE PERFORMANCE OF WORK FOR  
LENOVO. ALL QUESTIONS MUST BE REFERRED  
TO THE LENOVO PURCHASING DEPARTMENT.

42W9239

LENOVO CONFIDENTIAL

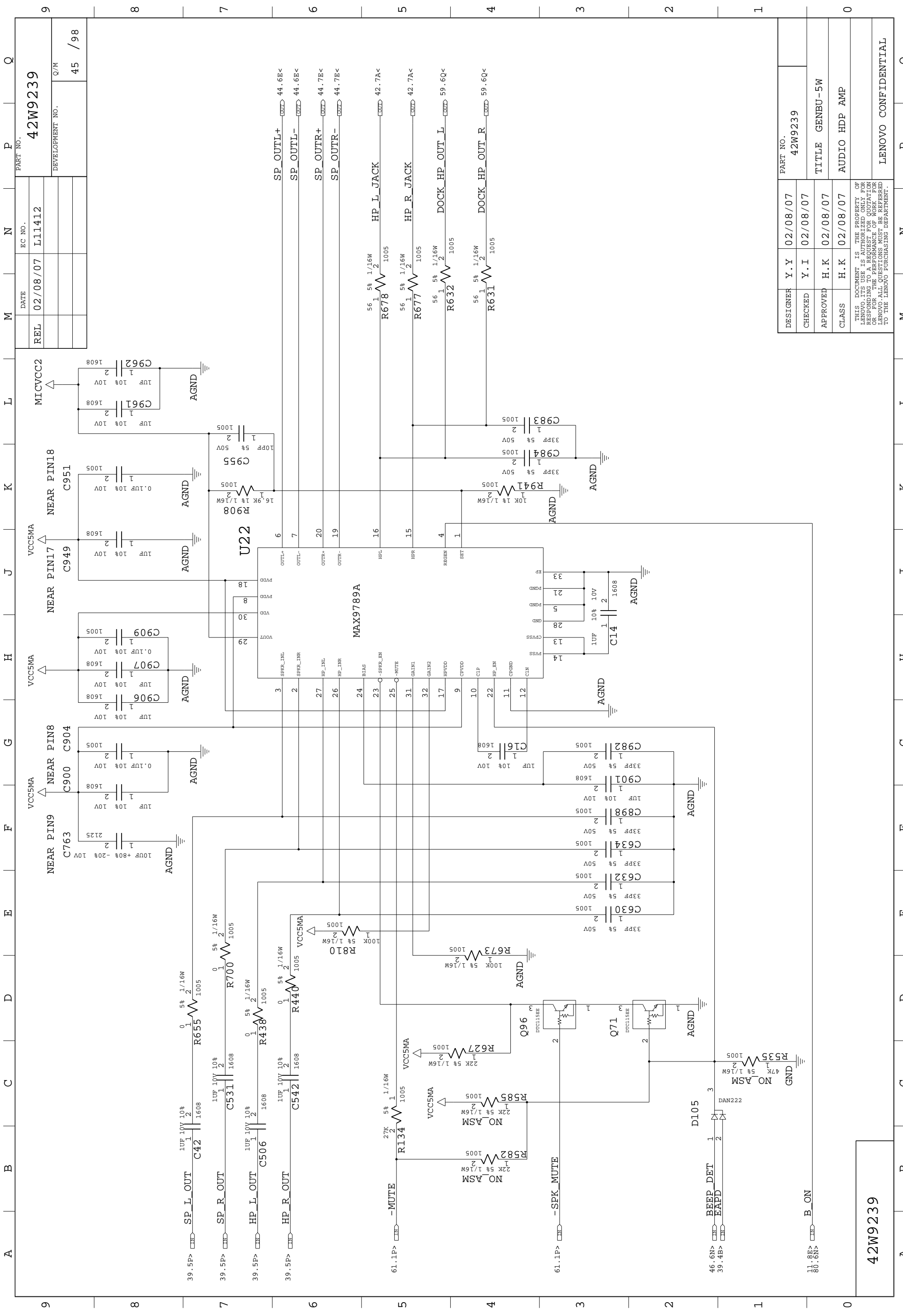
REL	02/08/07	EC NO.	L11412	PART NO.	42W9239
		DATE			
				DEVELOPMENT NO.	43 / 98



DESIGNER	Y. Y	02/08/07	PART NO.	42W9239
CHECKED	Y. I	02/08/07	TITLE	GENBU-5W
APPROVED	H. K	02/08/07	CLASS	AUDIO EXT MIC AMP
CLASS	H. K	02/08/07	THIS DOCUMENT IS THE PROPERTY OF LENOVO. IT IS LOANED TO YOU FOR USE ONLY. RESPONDING TO A REQUEST FOR QUOTATION OR FOR THE PERFORMANCE OF WORK FOR LENOVO. ALL QUESTIONS MUST BE REFERRED TO THE LENOVO PURCHASING DEPARTMENT.	

42W9239





REL	02/08/07	L11412	42W9239
DATE	02/08/07	L11412	42W9239
EC NO.			
PART NO.			
DEVELOPMENT NO.			
Q/M			
			45 / 98

DESIGNER	Y. Y	02/08/07	PART NO.	42W9239
CHECKED	Y. I	02/08/07	TITLE	GENBU-5W
APPROVED	H. K	02/08/07	CLASS	AUDIO HDP AMP
THIS DOCUMENT IS THE PROPERTY OF LENOVO. IT IS LOANED TO YOU FOR USE ONLY. IT IS NOT TO BE REPRODUCED OR TRANSMITTED IN ANY FORM OR BY ANY MEANS, ELECTRONIC OR MECHANICAL, INCLUDING PHOTOCOPYING, RECORDING, OR BY ANY INFORMATION STORAGE AND RETRIEVAL SYSTEM. ALL RIGHTS ARE RESERVED. FOR MORE INFORMATION, CONTACT YOUR LENOVO ACCOUNT MANAGER OR THE LENOVO PURCHASING DEPARTMENT.				

42W9239

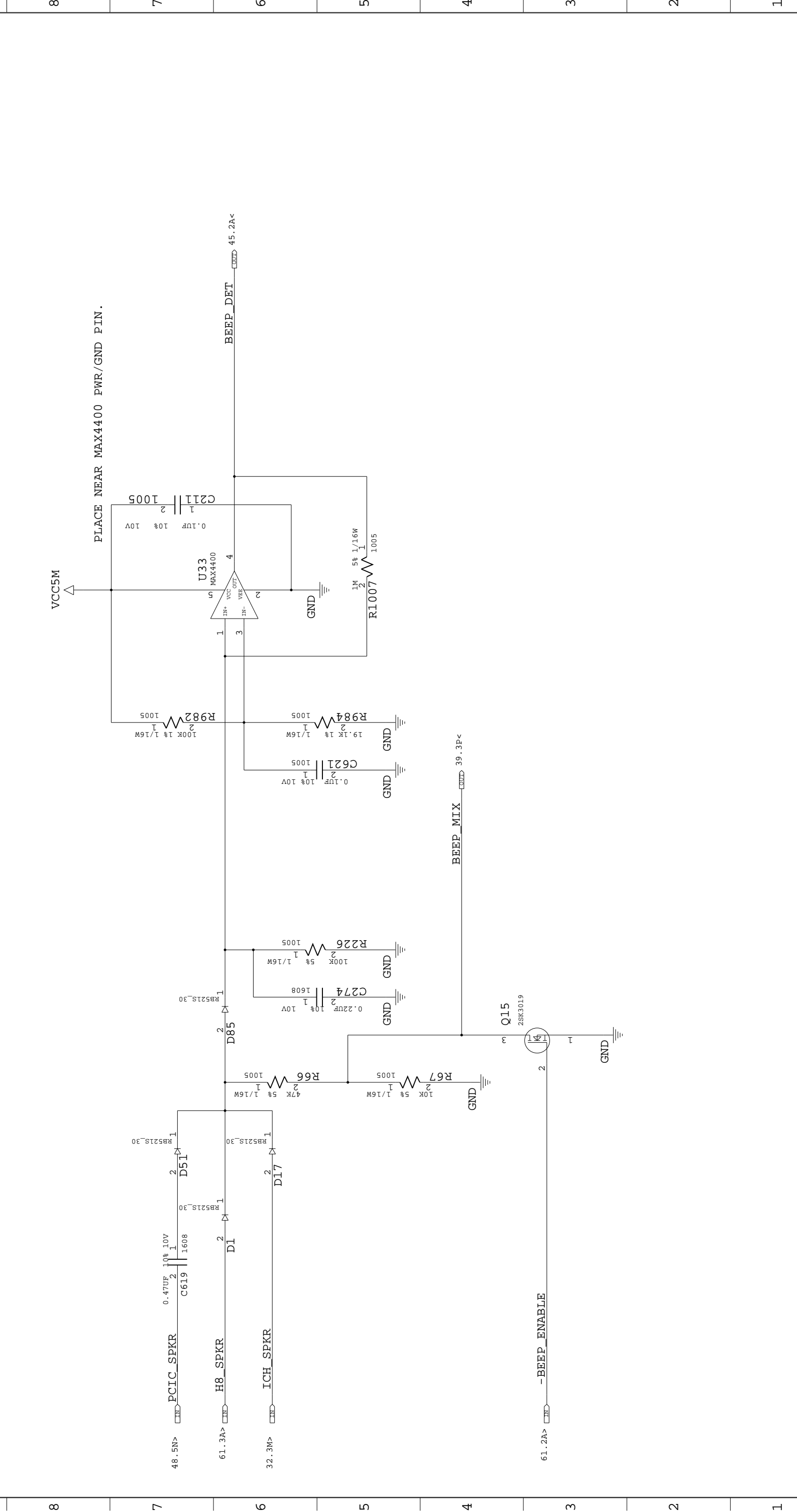
42W9239

GENBU-5W

AUDIO HDP AMP

LENOVO CONFIDENTIAL

REL	02/08/07	L11412	42W9239
DATE	02/08/07	L11412	42W9239
EC NO.			
PART NO.			
DEVELOPMENT NO.			
			46 / 98



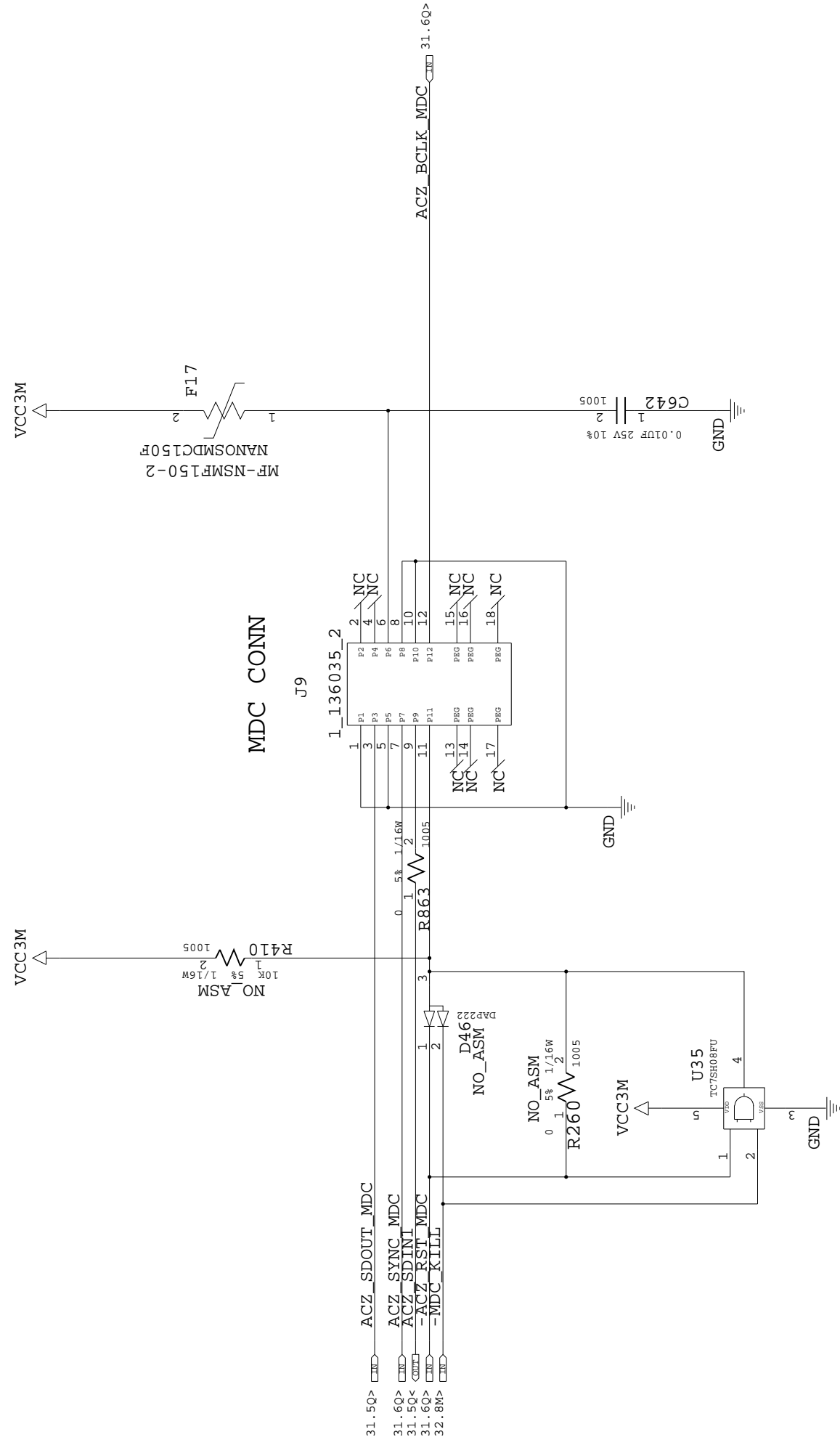
DESIGNER	Y. Y	02/08/07	PART NO.	42W9239
CHECKED	Y. I	02/08/07	TITLE	GENBU-5W
APPROVED	H. K	02/08/07	CLASS	AUDIO HDP AMP MISC
THIS DOCUMENT IS THE PROPERTY OF LENOVO. IT IS LOANED TO YOU FOR USE ONLY. IT IS NOT TO BE REPRODUCED OR TRANSMITTED IN ANY FORM OR BY ANY MEANS, ELECTRONIC OR MECHANICAL, INCLUDING PHOTOCOPYING, RECORDING, OR BY ANY INFORMATION STORAGE AND RETRIEVAL SYSTEM. ALL RIGHTS ARE RESERVED. FOR MORE INFORMATION, CONTACT THE LENOVO PURCHASING DEPARTMENT.				

42W9239

A B C D E F G H I J K L M N O P Q

9 8 7 6 5 4 3 2 1 0

REL	DATE	EC NO.	PART NO.
	02/08/07	L11412	42W9239
			DEVELOPMENT NO.
			47 / 98



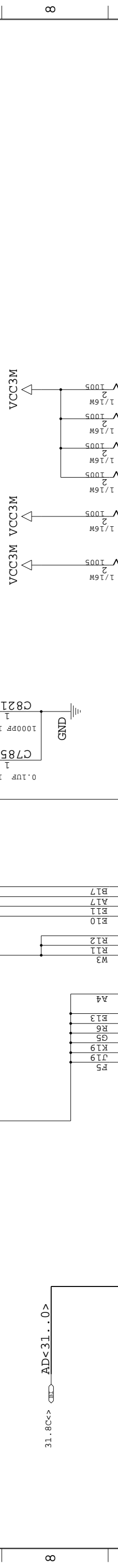
DESIGNER	Y. Y	02/08/07	PART NO.	42W9239
CHECKED	Y. I	02/08/07	TITLE	GENBU-5W
APPROVED	H. K	02/08/07		
CLASS	H. K	02/08/07		MDC 1.5 CONNECTOR

THIS DOCUMENT IS THE PROPERTY OF LENOVO. IT IS LOANED TO YOU FOR YOUR USE ONLY. IT IS NOT TO BE REPRODUCED OR TRANSMITTED IN ANY FORM OR BY ANY MEANS, ELECTRONIC OR MECHANICAL, INCLUDING PHOTOCOPYING, RECORDING, OR BY ANY INFORMATION STORAGE AND RETRIEVAL SYSTEM. ALL RIGHTS ARE RESERVED. FOR MORE INFORMATION, CONTACT THE LENOVO PURCHASING DEPARTMENT.

42W9239

A B C D E F G H J K L M N P Q

9 8 7 6 5 4 3 2 1 0

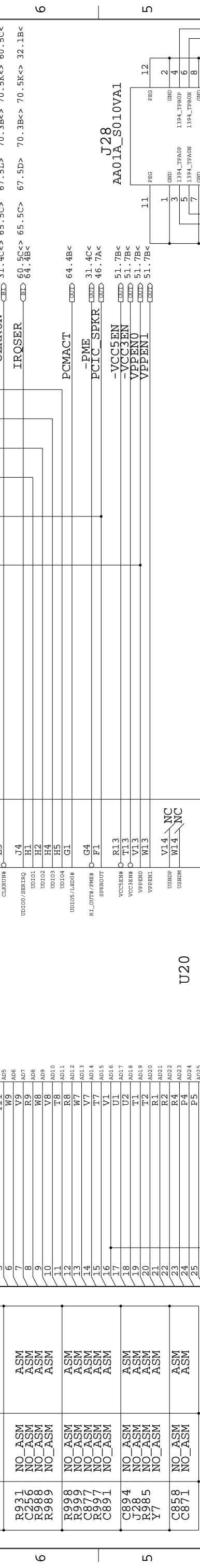


31.8C<> AD<31..0>

NO	YES
1394	

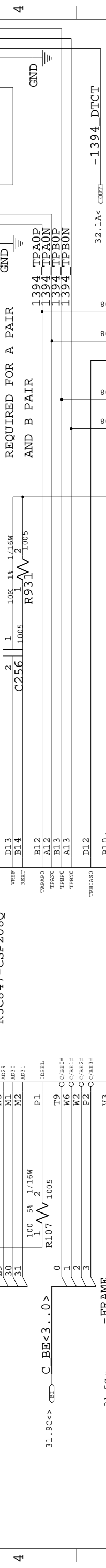
TABLE 1394

NO	YES
U20	R5C847/ R5C803
FL6	MPZ1608S600A



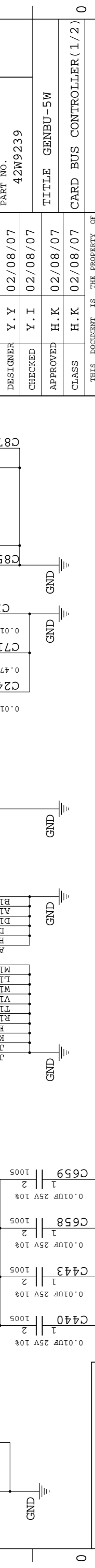
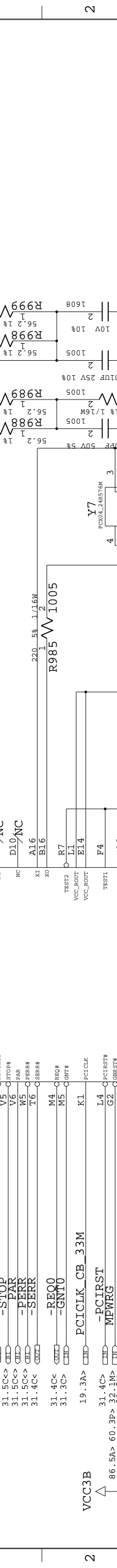
LOGIC

NO	YES
R931	ASM
C256	ASM
R987	ASM
R989	ASM
R998	ASM
R999	ASM
C877	ASM
R997	ASM
C891	ASM
C894	ASM
J28	ASM
R985	ASM
Y7	ASM
C858	ASM
C871	ASM

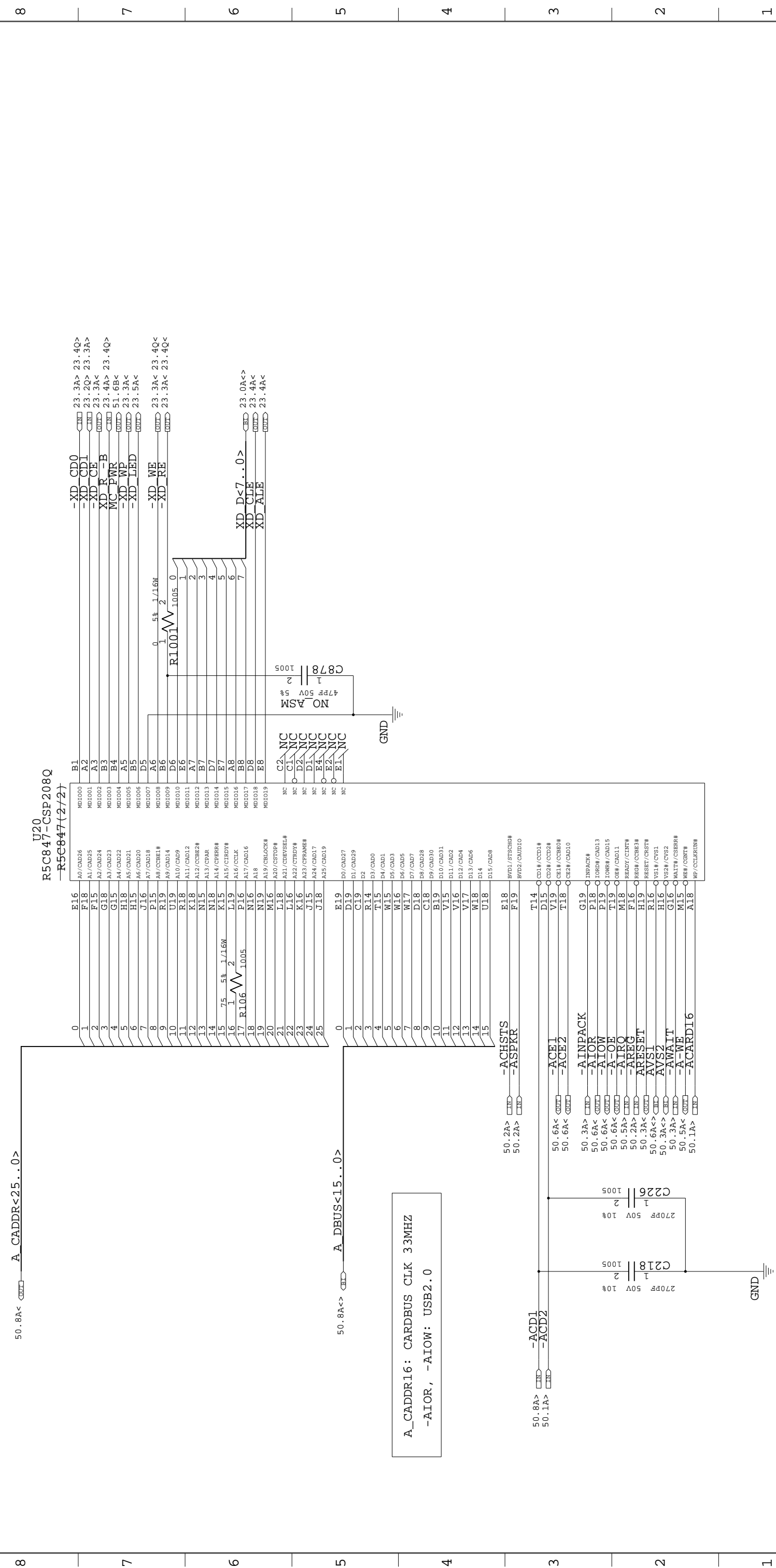


LOGIC

NO	YES
31.5C<>	FRAME#
31.5C<>	TRDY
31.5C<>	DEVSEL
31.5C<>	STOP
31.5C<>	PAR
31.5C<>	PERR
31.5C<>	SERR
31.4C<>	REQ0
31.3C<>	GNT0
19.3A>	PCICLK_CB_33M
31.4C>	PCIRST
86.5A> 60.3P>	MPWRG
64.7P>	CARDBUSPDN

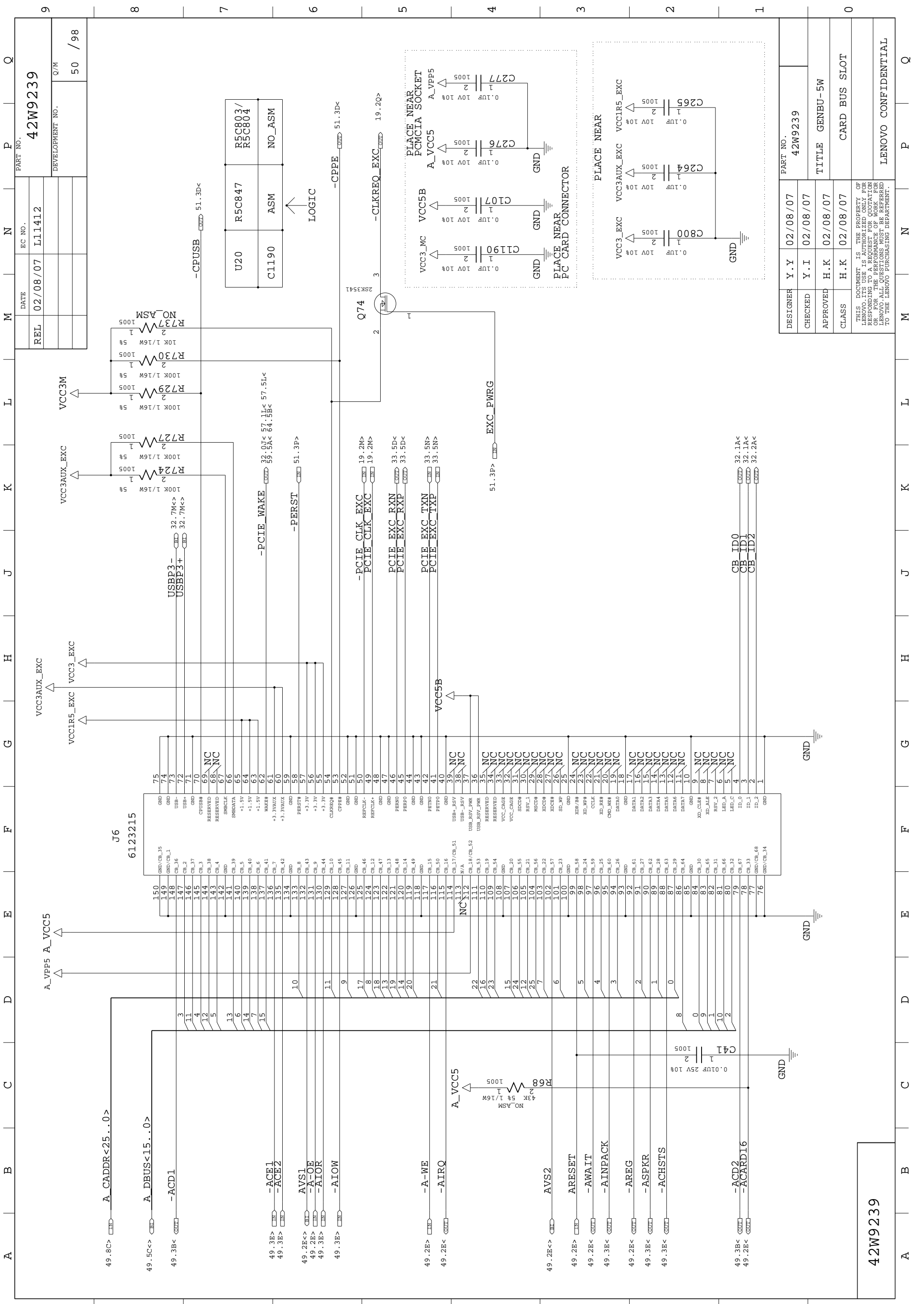






DESIGNER	Y. Y	02/08/07	PART NO.	42W9239
CHECKED	Y. I	02/08/07	TITLE	GENBU-5W
APPROVED	H. K	02/08/07	CLASS	CARD BUS CONTROLLER(2/2)
CLASS	H. K	02/08/07	THIS DOCUMENT IS THE PROPERTY OF LENOVO. IT IS LOANED TO YOU FOR YOUR USE ONLY. IT IS TO BE RETURNED TO LENOVO UPON REQUEST. NO PARTS OR INFORMATION FROM THIS DOCUMENT ARE TO BE REPRODUCED OR TRANSMITTED IN ANY FORM OR BY ANY MEANS, ELECTRONIC OR MECHANICAL, INCLUDING PHOTOCOPYING, RECORDING, OR BY ANY INFORMATION STORAGE AND RETRIEVAL SYSTEM. FOR MORE INFORMATION, CONTACT LENOVO. ALL QUESTIONS MUST BE REFERRED TO THE LENOVO PURCHASING DEPARTMENT.	
LENOVO CONFIDENTIAL				

42W9239



DESIGNER	Y.Y	02/08/07	PART NO.	42W9239
CHECKED	Y.I	02/08/07	TITLE	GENBU-5W
APPROVED	H.K	02/08/07	CLASS	CARD BUS SLOT
CLASS	H.K	02/08/07	THIS DOCUMENT IS THE PROPERTY OF LENOVO. IT IS LOANED TO YOU FOR YOUR USE ONLY. IT IS NOT TO BE REPRODUCED OR TRANSMITTED IN ANY FORM OR BY ANY MEANS, ELECTRONIC OR MECHANICAL, INCLUDING PHOTOCOPYING, RECORDING, OR BY ANY INFORMATION STORAGE AND RETRIEVAL SYSTEM. ALL RIGHTS ARE RESERVED. FOR THE PERFORMANCE OF WORK FOR THE PERFORMANCE OF WORK FOR LENOVO. ALL QUESTIONS MUST BE REFERRED TO THE LENOVO PURCHASING DEPARTMENT.	

42W9239

42W9239

50 / 98

42W9239

GENBU-5W

CARD BUS SLOT

LENOVO CONFIDENTIAL

LENOVO CONFIDENTIAL

LENOVO CONFIDENTIAL

LENOVO CONFIDENTIAL

LENOVO CONFIDENTIAL

LENOVO CONFIDENTIAL

LENOVO CONFIDENTIAL

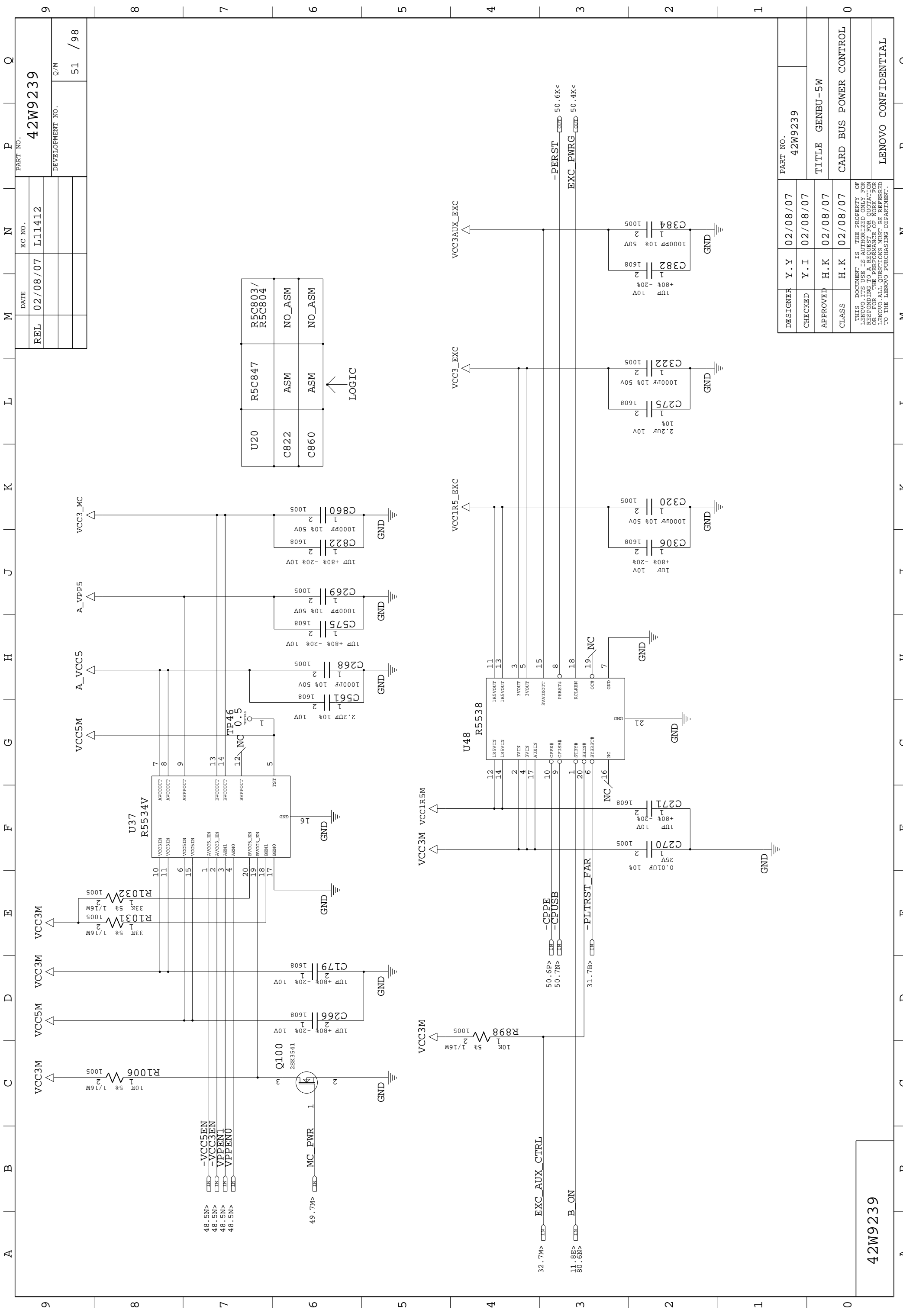
LENOVO CONFIDENTIAL

LENOVO CONFIDENTIAL

LENOVO CONFIDENTIAL

LENOVO CONFIDENTIAL

LENOVO CONFIDENTIAL



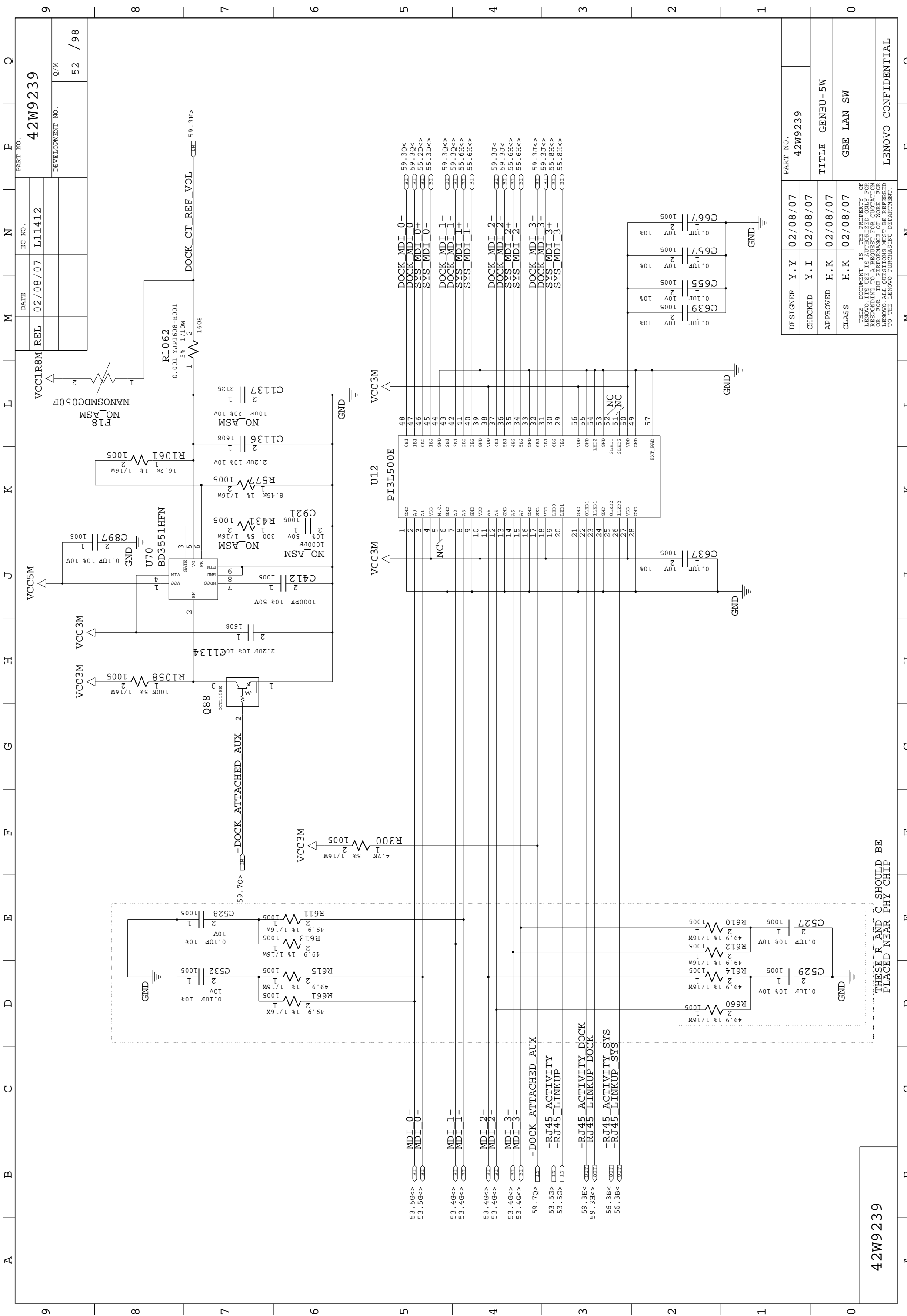
REL	DATE	EC NO.	PART NO.
	02/08/07	L11412	42W9239
			DEVELOPMENT NO.
			Q/M
			51 / 98

DESIGNER	Y. Y	02/08/07	PART NO.	42W9239
CHECKED	Y. I	02/08/07	TITLE	GENBU-5W
APPROVED	H. K	02/08/07	CLASS	02/08/07
CLASS	H. K	02/08/07	CARD BUS POWER CONTROL	

THIS DOCUMENT IS THE PROPERTY OF  
LENOVO. IT IS LOANED TO YOU FOR USE ONLY.  
REPRODUCING OR TRANSMITTING IN ANY FORM  
WITHOUT PERMISSION FROM LENOVO IS STRICTLY  
PROHIBITED. A REQUEST FOR QUOTATION FOR  
OR FOR THE PERFORMANCE OF WORK FOR  
LENOVO-ALL QUESTIONS MUST BE REFERRED  
TO THE LENOVO PURCHASING DEPARTMENT.

42W9239

LENOVO CONFIDENTIAL



REL	DATE	EC NO.	PART NO.
42W9239	02/08/07	L11412	42W9239
DEVELOPMENT NO.			
			52 / 98

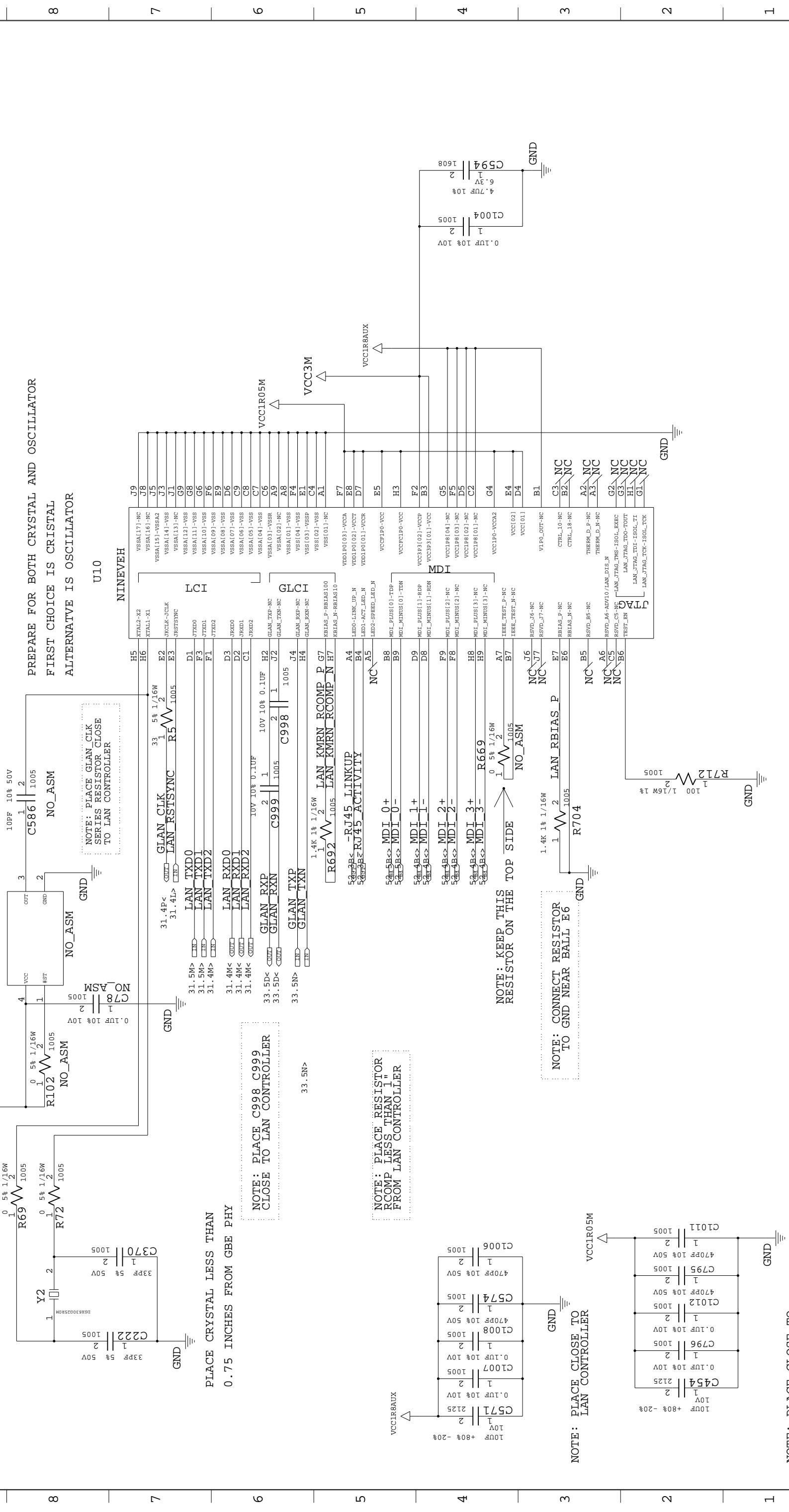
DESIGNER	Y. Y	02/08/07	PART NO.	42W9239
CHECKED	Y. I	02/08/07	TITLE	GENBU-5W
APPROVED	H. K	02/08/07		
CLASS	H. K	02/08/07		GBE LAN SW

THIS DOCUMENT IS THE PROPERTY OF  
LENOVO. IT IS TO BE USED ONLY IN  
RESPONSE TO A REQUEST FOR QUOTATION  
OR FOR THE PERFORMANCE OF WORK FOR  
LENOVO. ALL QUESTIONS MUST BE REFERRED  
TO THE LENOVO PURCHASING DEPARTMENT.

42W9239

THESE R AND C SHOULD BE  
PLACED NEAR PHY CHIP

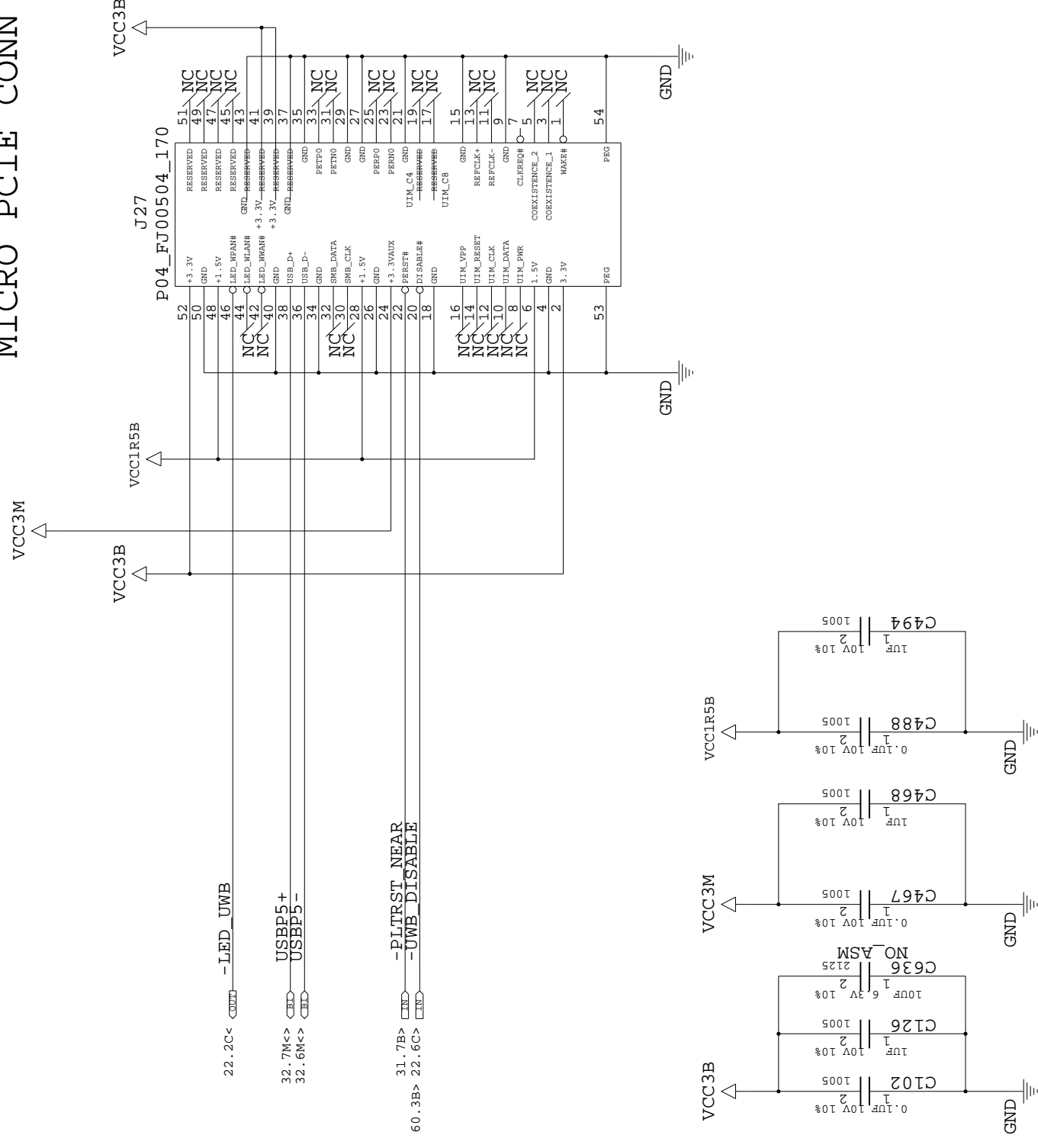
LENOVO CONFIDENTIAL



DESIGNER	Y. Y	02/08/07	PART NO.	42W9239
CHECKED	Y. I	02/08/07	TITLE	GENBU-5W
APPROVED	H. K	02/08/07	CLASS	GBE VIDALIA(1/2)
THIS DOCUMENT IS THE PROPERTY OF IBM CORPORATION. IT IS LOANED TO YOU FOR YOUR INFORMATION AND USE ONLY. IT IS NOT TO BE REPRODUCED OR TRANSMITTED IN ANY FORM OR BY ANY MEANS, ELECTRONIC OR MECHANICAL, INCLUDING PHOTOCOPYING, RECORDING, OR BY ANY INFORMATION STORAGE AND RETRIEVAL SYSTEM. ALL RIGHTS ARE RESERVED. FOR MORE INFORMATION, CONTACT THE IBM CORPORATION, INTERNATIONAL BUSINESS MACHINES CORPORATION, 1100 W. WASHINGTON AVENUE, ARMONK, NY 10504.				

REL	02/08/07	L11412	42W9239
DATE	02/08/07	L11412	42W9239
EC NO.			
PART NO.			
DEVELOPMENT NO.			
Q/M			
			54 / 98

### MICRO PCIE CONN



DESIGNER	Y. Y	02/08/07	PART NO.	42W9239
CHECKED	Y. I	02/08/07	TITLE	GENBU-5W
APPROVED	H. K	02/08/07		
CLASS	H. K	02/08/07		

THIS DOCUMENT IS THE PROPERTY OF LENOVO. IT IS TO BE USED ONLY FOR THE PROJECT AND FOR THE PURPOSES SPECIFIED THEREIN. NO PART OF THIS DOCUMENT IS TO BE REPRODUCED OR TRANSMITTED IN ANY FORM OR BY ANY MEANS, ELECTRONIC OR MECHANICAL, INCLUDING PHOTOCOPYING, RECORDING, OR BY ANY INFORMATION STORAGE AND RETRIEVAL SYSTEM. ALL RIGHTS ARE RESERVED. FOR MORE INFORMATION, CONTACT THE LENOVO PURCHASING DEPARTMENT.

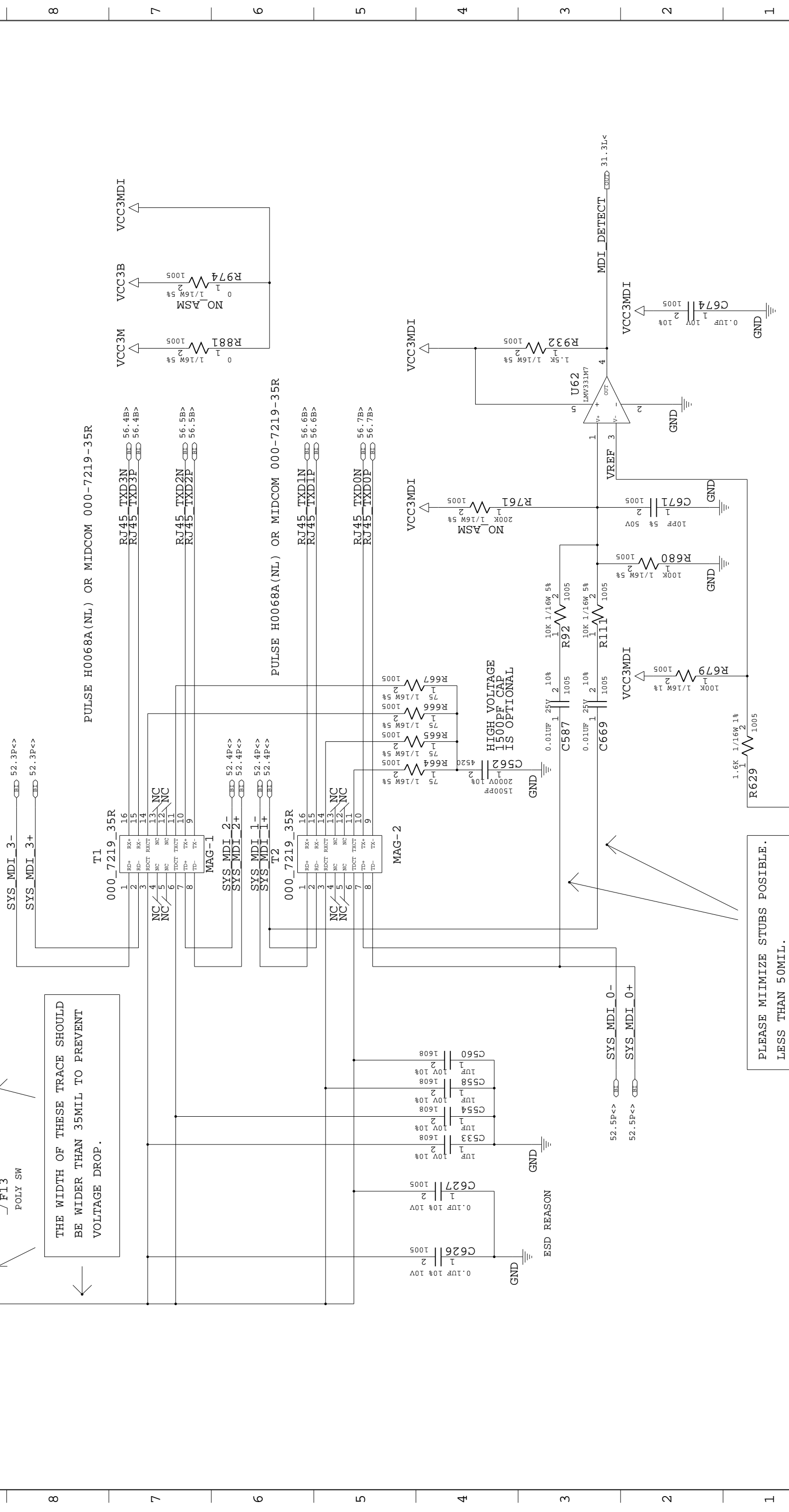
42W9239

A B C D E F G H J K L M N P Q

9 8 7 6 5 4 3 2 1 0

MICRO PCIE CONN

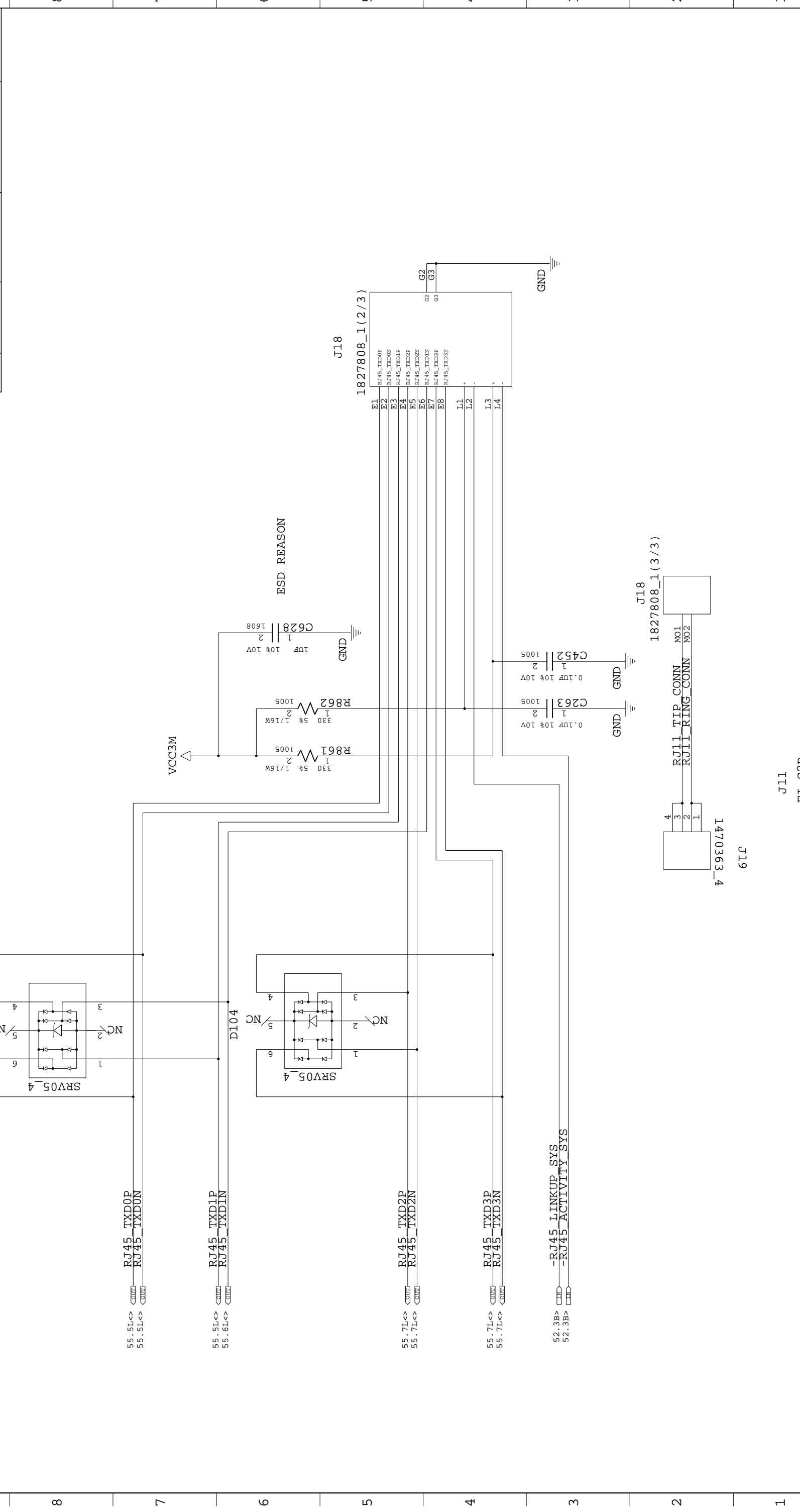
LENOVO CONFIDENTIAL



DESIGNER	Y.Y	02/08/07	PART NO.	42W9239
CHECKED	Y.I	02/08/07	TITLE	GENBU-5W
APPROVED	H.K	02/08/07	CLASS	GBE MAGNETICS
THIS DOCUMENT IS THE PROPERTY OF LENOVO. IT IS TO BE USED ONLY FOR THE PROJECT AND FOR THE QUANTITIES SPECIFIED THEREIN. IT IS NOT TO BE REPRODUCED, COPIED, OR TRANSMITTED IN ANY FORM OR BY ANY MEANS, FOR OR FOR THE PERFORMANCE OF WORK, FOR LENOVO. ALL QUESTIONS MUST BE REFERRED TO THE LENOVO PURCHASING DEPARTMENT.				

REL	02/08/07	L11412	42W9239
			56 / 98

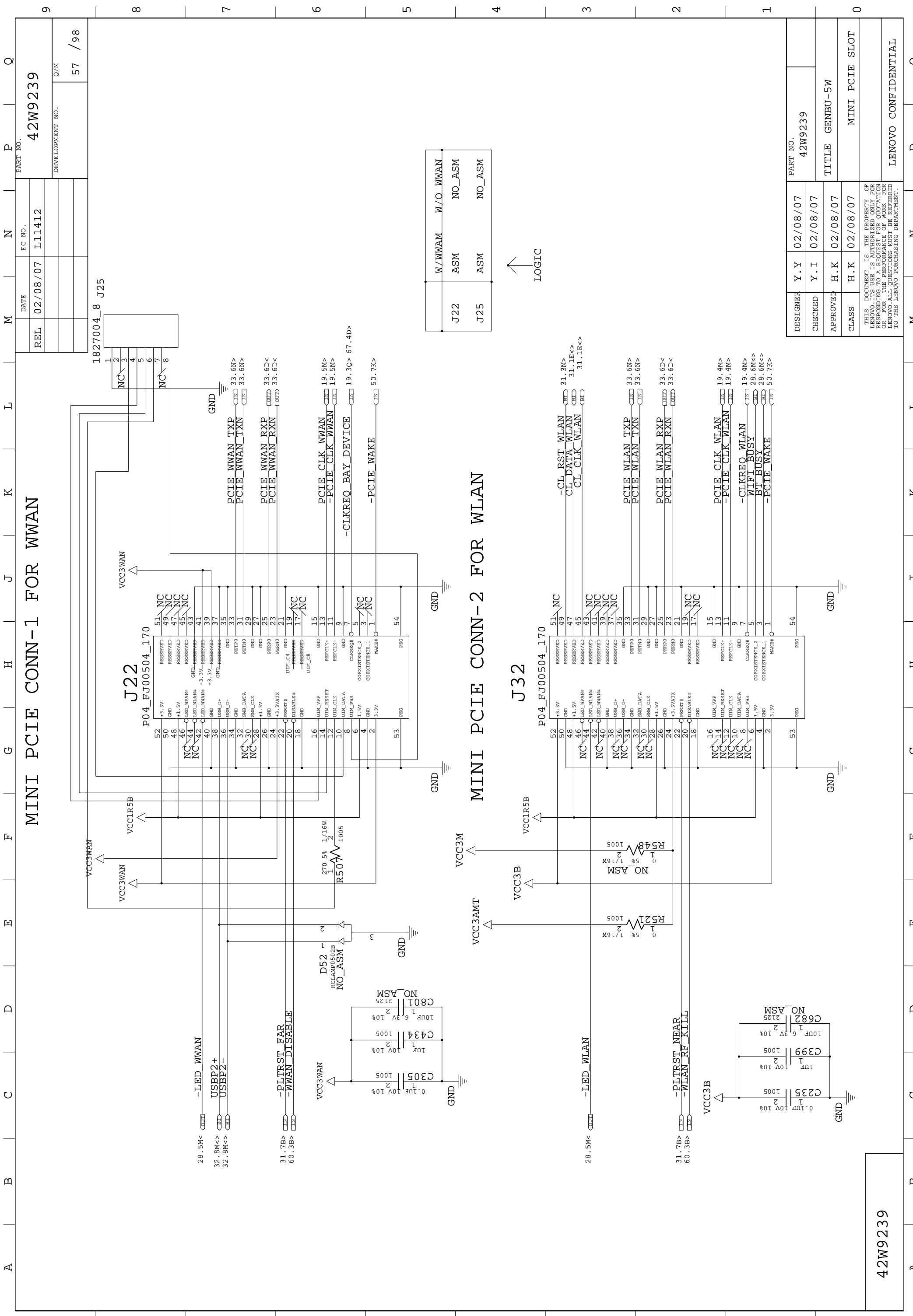
REL	02/08/07	L11412	42W9239
			56 / 98



DESIGNER	Y. Y	02/08/07	42W9239
CHECKED	Y. I	02/08/07	
APPROVED	H. K	02/08/07	
CLASS	H. K	02/08/07	
TITLE			GENBU-5W
TITLE			RJ11/RJ45 CONNECTOR

THIS DOCUMENT IS THE PROPERTY OF LENOVO. IT IS LOANED TO YOU AND IS NOT TO BE REPRODUCED, COPIED, OR TRANSMITTED IN ANY FORM OR BY ANY MEANS, ELECTRONIC OR MECHANICAL, INCLUDING PHOTOCOPYING, RECORDING, OR BY ANY INFORMATION STORAGE AND RETRIEVAL SYSTEM. A REQUEST FOR QUOTATION OR FOR THE PERFORMANCE OF WORK FOR LENOVO-ALL QUESTIONS MUST BE REFERRED TO THE LENOVO PURCHASING DEPARTMENT.			
<b>42W9239</b>			
LENOVO CONFIDENTIAL			





MINI PCIE CONN-1 FOR WWAN

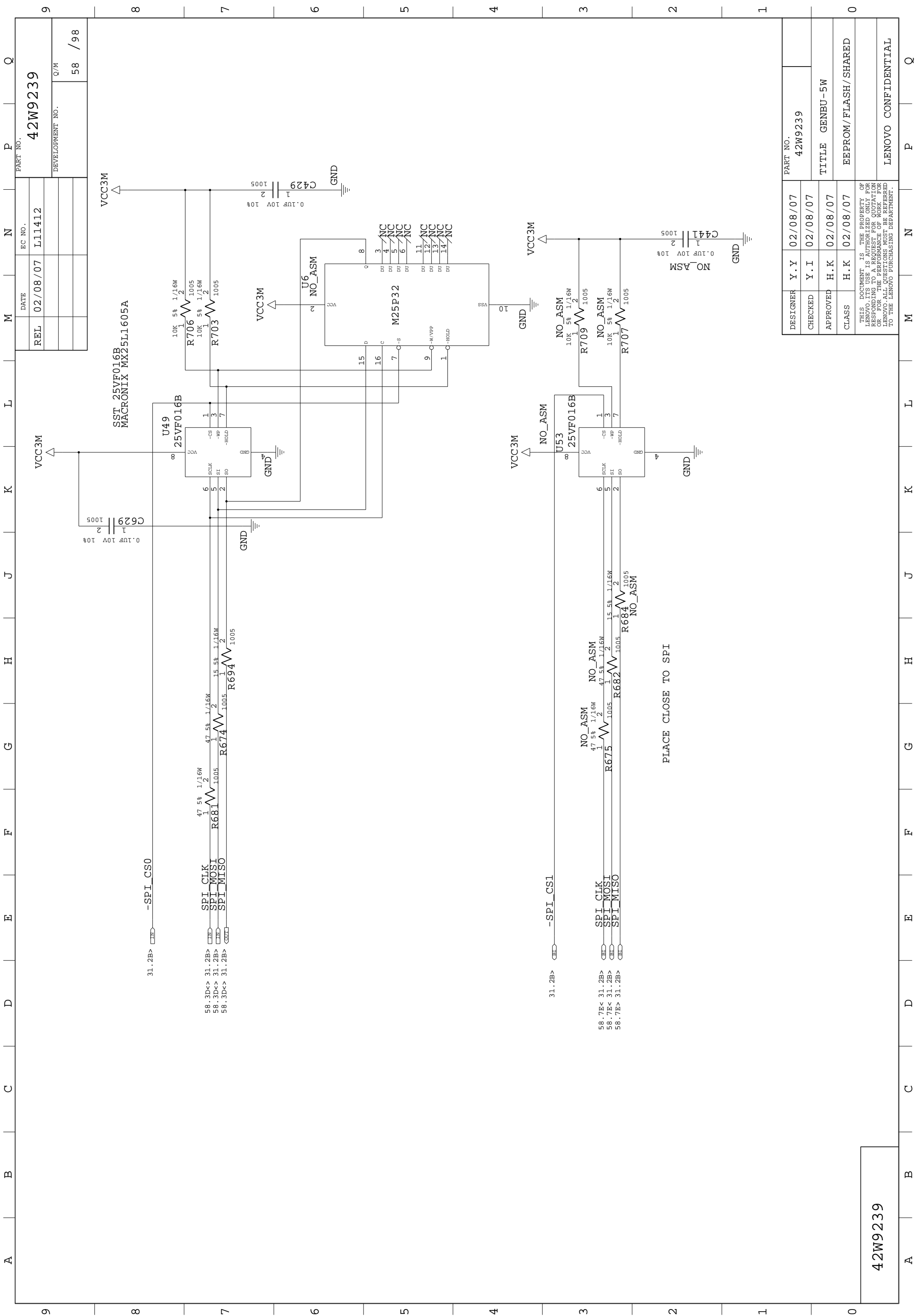
MINI PCIE CONN-2 FOR WLAN

J22	W/WWAN	W/O WWAN
J25	ASM	NO_ASM
J25	ASM	NO_ASM

LOGIC

DESIGNER	Y. Y	02/08/07	PART NO.	42W9239
CHECKED	Y. I	02/08/07	TITLE	GENBU-5W
APPROVED	H. K	02/08/07	CLASS	MINI PCIE SLOT
THIS DOCUMENT IS THE PROPERTY OF LENOVO. IT IS TO BE USED ONLY FOR THE PROJECT AND FOR WHICH IT WAS PREPARED. IT IS NOT TO BE REPRODUCED, COPIED, OR TRANSMITTED IN ANY FORM OR BY ANY MEANS, ELECTRONIC OR MECHANICAL, INCLUDING PHOTOCOPYING, RECORDING, OR BY ANY INFORMATION SYSTEMS. ALL QUESTIONS MUST BE REFERRED TO THE LENOVO PURCHASING DEPARTMENT.				

42W9239



REL	02/08/07	L11412	42W9239
DATE		EC NO.	PART NO.
DEVELOPMENT NO.		58 / 98	

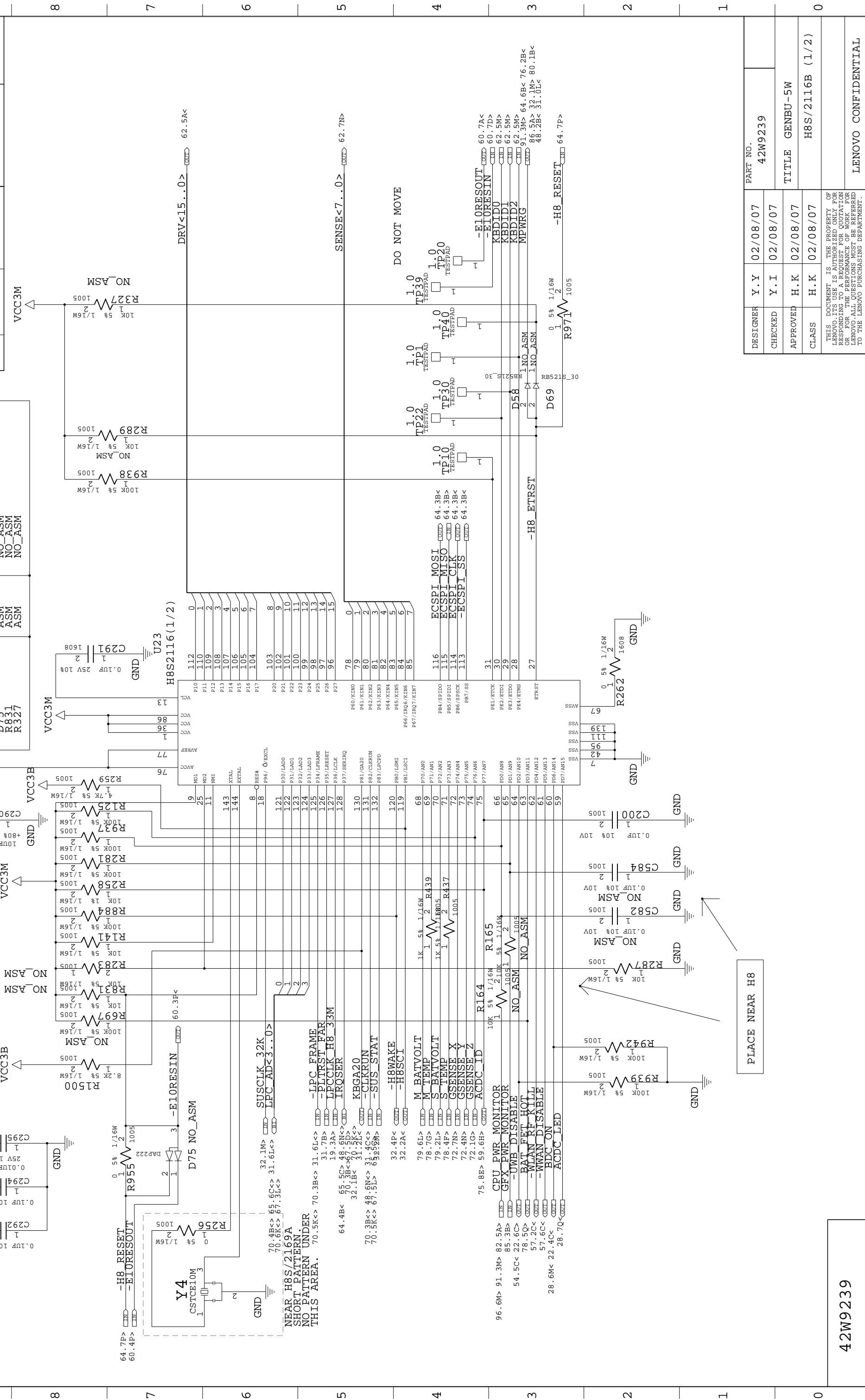
DESIGNER	Y. Y	02/08/07	PART NO.	42W9239
CHECKED	Y. I	02/08/07	TITLE	GENBU-5W
APPROVED	H. K	02/08/07	CLASS	EEPROM/FLASH/SHARED
THIS DOCUMENT IS THE PROPERTY OF LENOVO. IT IS LOANED TO YOU FOR USE ONLY. IT IS NOT TO BE REPRODUCED OR TRANSMITTED IN ANY FORM OR BY ANY MEANS, ELECTRONIC OR MECHANICAL, INCLUDING PHOTOCOPYING, RECORDING, OR BY ANY INFORMATION STORAGE AND RETRIEVAL SYSTEM. ALL RIGHTS ARE RESERVED. FOR MORE INFORMATION, CONTACT THE LENOVO PURCHASING DEPARTMENT.				

42W9239

PLACE CLOSE TO SPI



REL	02/08/07	EC NO.	L11412	PART NO.	42W9239
			DEVELOPMENT NO.	Q/M	60 / 98



PLACE NEAR H8

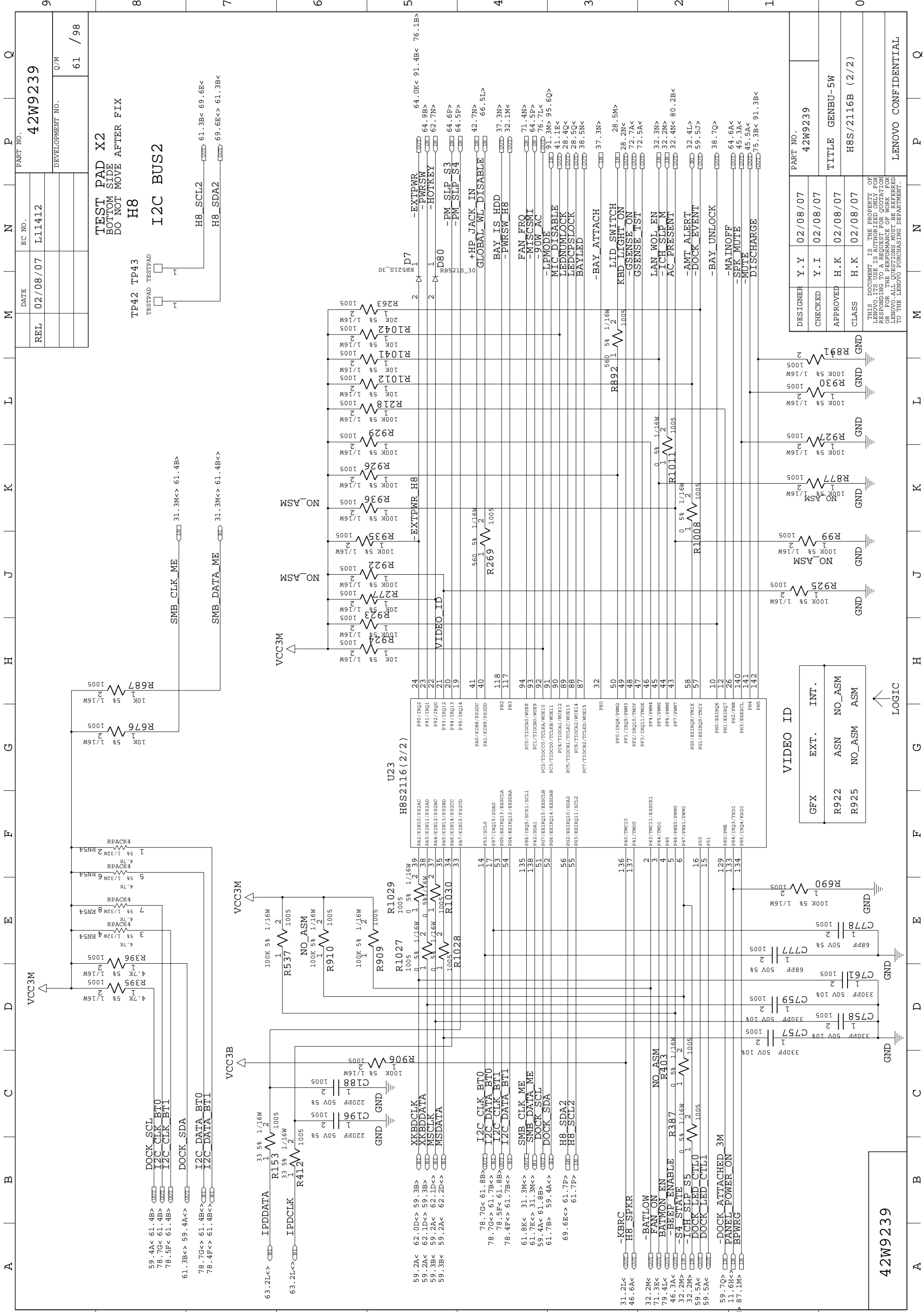
42W9239

DESIGNER	Y.Y	02/08/07	PART NO.	42W9239
CHECKED	Y.I	02/08/07	TITLE	GENBU-5W
APPROVED	H.K	02/08/07		
CLASS	H.K	02/08/07		

THIS DOCUMENT IS THE PROPERTY OF  
 LELENVO. IT IS TO BE USED ONLY FOR  
 THE PROJECT AND IS NOT TO BE  
 REPRODUCED OR TRANSMITTED IN ANY  
 FORM OR BY ANY MEANS, ELECTRONIC  
 OR MECHANICAL, INCLUDING PHOTOCOPYING,  
 RECORDING, OR BY ANY INFORMATION  
 SYSTEMS. ALL QUESTIONS MUST BE REFERRED  
 TO THE LENVO PURCHASING DEPARTMENT.

A B C D E F G H J K L M N P Q

9 8 7 6 5 4 3 2 1 0



REL	02/08/07	L11412	42W9239
			61 / 98

TEST PAD X2  
BOTTOM SIDE  
DO NOT MOVE AFTER FIX

H8

I2C BUS2

H8\_SCL2

H8\_SDA2

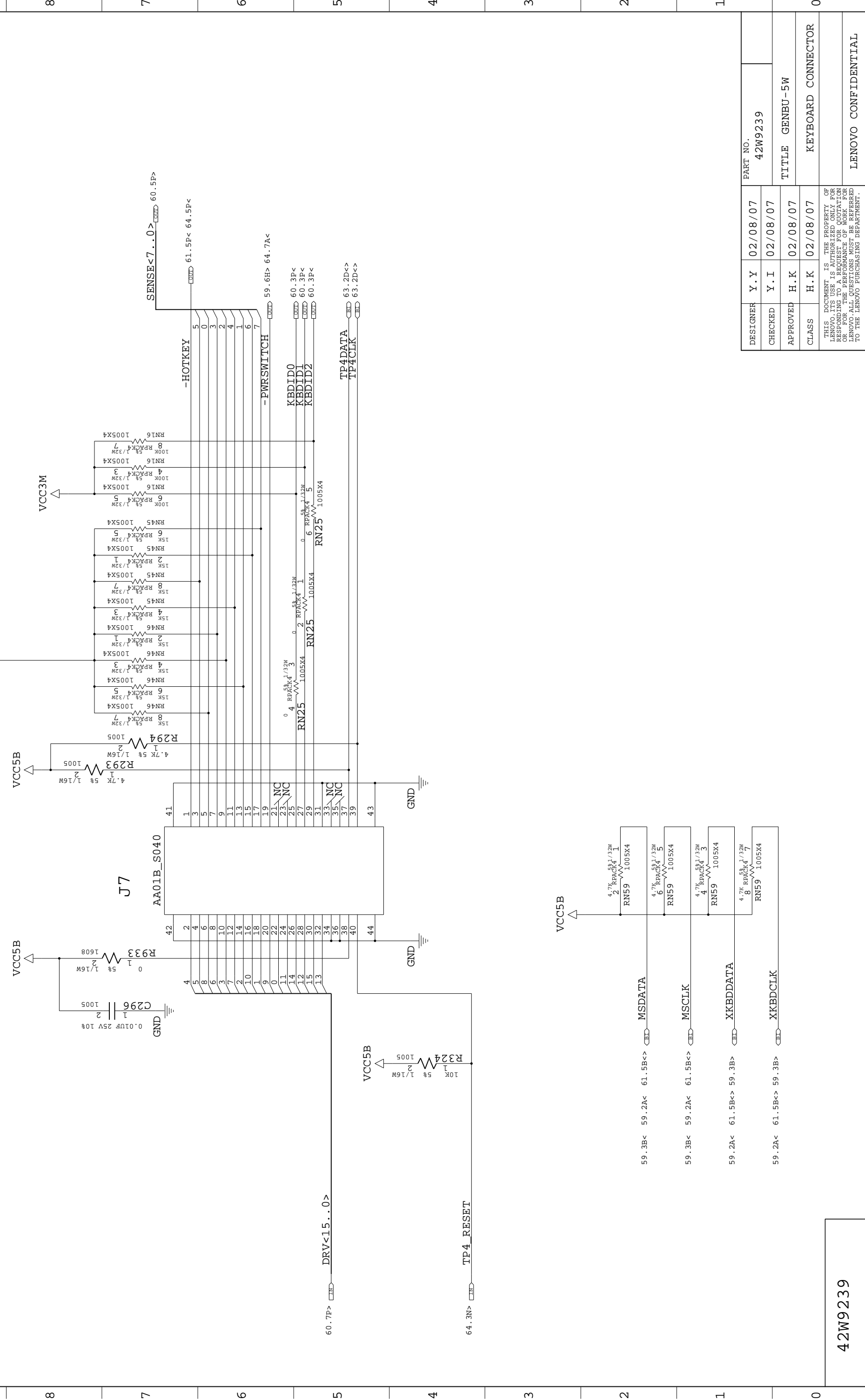
TP42 TP43

TESTPAD TESTPAD

DESIGNER	Y.Y	02/08/07	PART NO.	42W9239
CHECKED	Y.I	02/08/07	TITLE	GENBU-5W
APPROVED	H.K	02/08/07	H8S/2116B (2/2)	
CLASS	H.K	02/08/07		

THIS DOCUMENT IS THE PROPERTY OF LENOVO. ITS USE IS AUTHORIZED ONLY FOR RESPONDING TO A REQUEST FOR QUOTATION OR FOR THE PERFORMANCE OF WORK FOR LENOVO. ALL RIGHTS ARE RESERVED TO THE LENOVO PURCHASING DEPARTMENT.

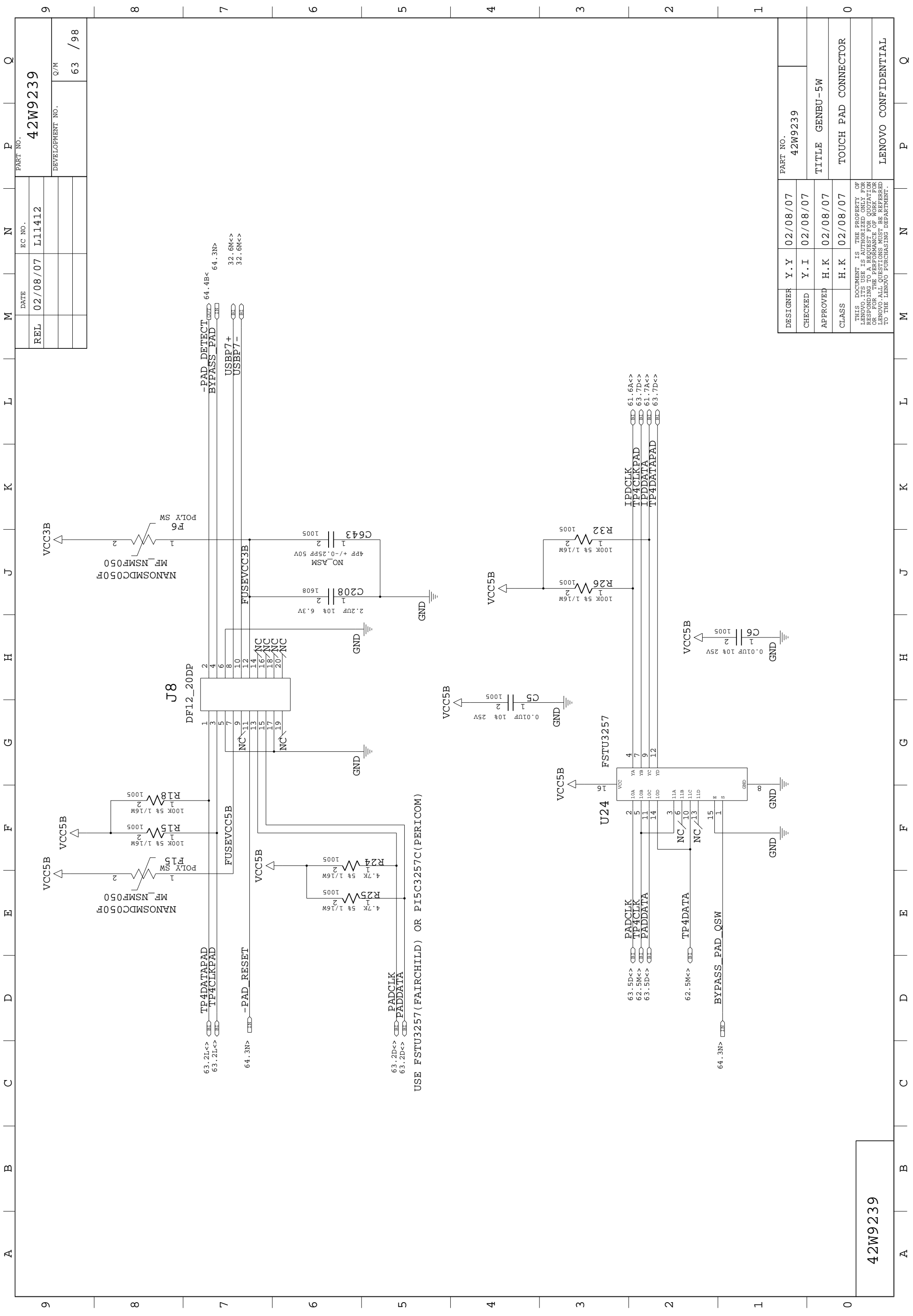
A	B	C	D	E	F	G	H	J	K	L	M	N	P	Q			
														REL	DATE	EC NO.	PART NO.
															02/08/07	L11412	42W9239
																	DEVELOPMENT NO.
																	Q/M
																	62 / 98



42W9239

DESIGNER	Y. Y	02/08/07	PART NO.	42W9239
CHECKED	Y. I	02/08/07	TITLE	GENBU-5W
APPROVED	H. K	02/08/07	KEYBOARD CONNECTOR	
CLASS	H. K	02/08/07		

THIS DOCUMENT IS THE PROPERTY OF LENOVO. IT IS TO BE USED ONLY IN ACCORDANCE WITH THE TERMS AND CONDITIONS SPECIFIED IN THE LICENSE AGREEMENT. NO PART OF THIS DOCUMENT IS TO BE REPRODUCED OR TRANSMITTED IN ANY FORM OR BY ANY MEANS, ELECTRONIC OR MECHANICAL, INCLUDING PHOTOCOPYING, RECORDING, OR BY ANY INFORMATION STORAGE AND RETRIEVAL SYSTEM, WITHOUT PERMISSION IN WRITING FROM LENOVO. ALL QUESTIONS MUST BE REFERRED TO THE LENOVO PURCHASING DEPARTMENT.

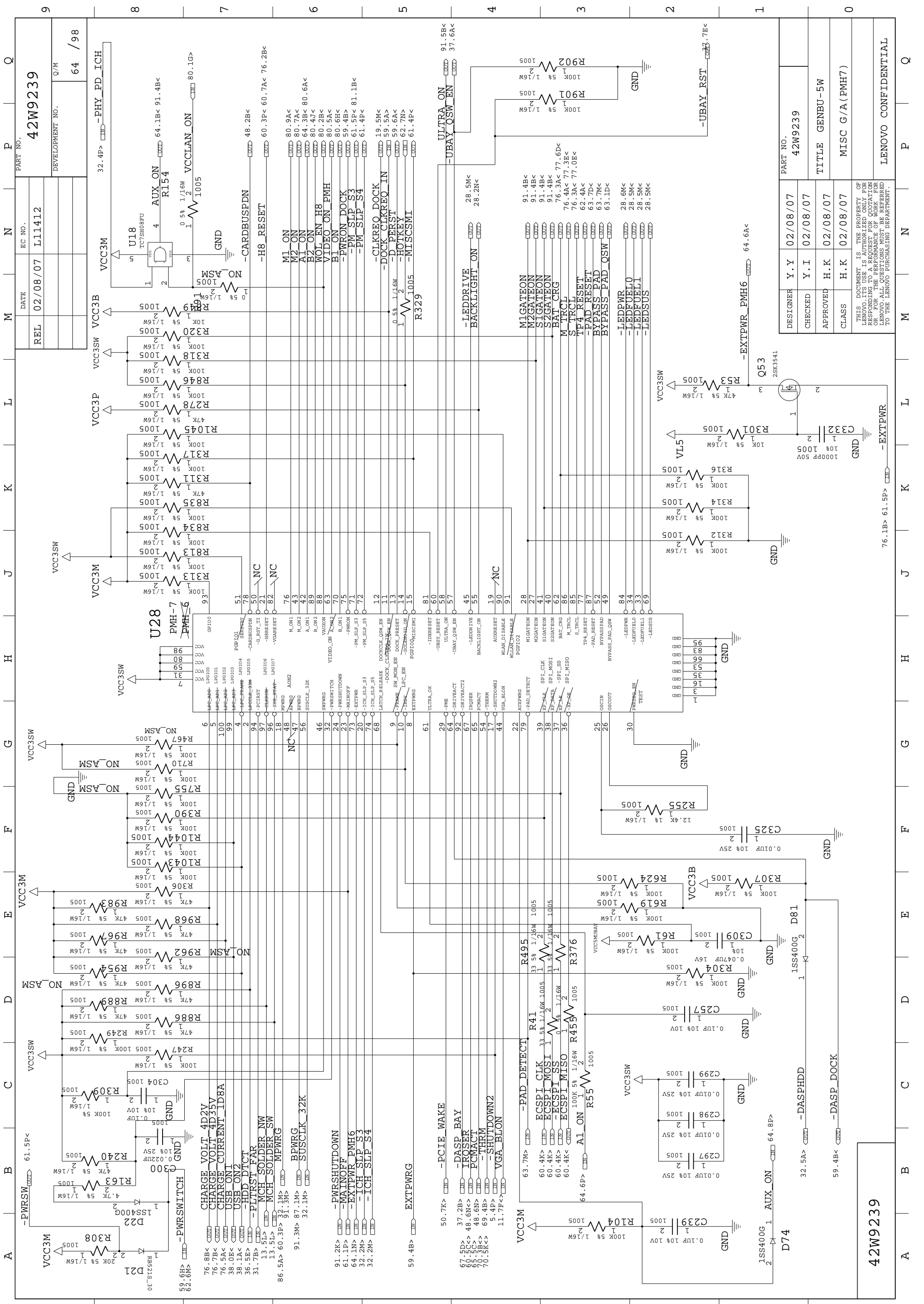


REL	DATE	EC NO.	PART NO.
	02/08/07	L11412	42W9239
			DEVELOPMENT NO.
			Q/M
			63 / 98

DESIGNER	Y. Y	02/08/07	PART NO.	42W9239
CHECKED	Y. I	02/08/07	TITLE	GENBU-5W
APPROVED	H. K	02/08/07	CLASS	TOUCH PAD CONNECTOR
THIS DOCUMENT IS THE PROPERTY OF LENOVO. IT IS LOANED TO YOU FOR USE ONLY. IT IS NOT TO BE REPRODUCED OR TRANSMITTED IN ANY FORM OR BY ANY MEANS, ELECTRONIC OR MECHANICAL, INCLUDING PHOTOCOPYING, RECORDING, OR BY ANY INFORMATION STORAGE AND RETRIEVAL SYSTEM. ALL RIGHTS ARE RESERVED. FOR MORE INFORMATION, CONTACT THE LENOVO PURCHASING DEPARTMENT.				

42W9239

LENOVO CONFIDENTIAL



REL	DATE	EC NO.	PART NO.
	02/08/07	L11412	42W9239
			DEVELOPMENT NO.
			Q/M
			64 / 98

DESIGNER	Y. Y	02/08/07	PART NO.
CHECKED	Y. I	02/08/07	42W9239
APPROVED	H. K	02/08/07	TITLE
CLASS	H. K	02/08/07	GENBU-5W
			MISC G/A (PMH7)

42W9239

76.1B> 61.5P>

EXTIPWR

ULTRAPWR

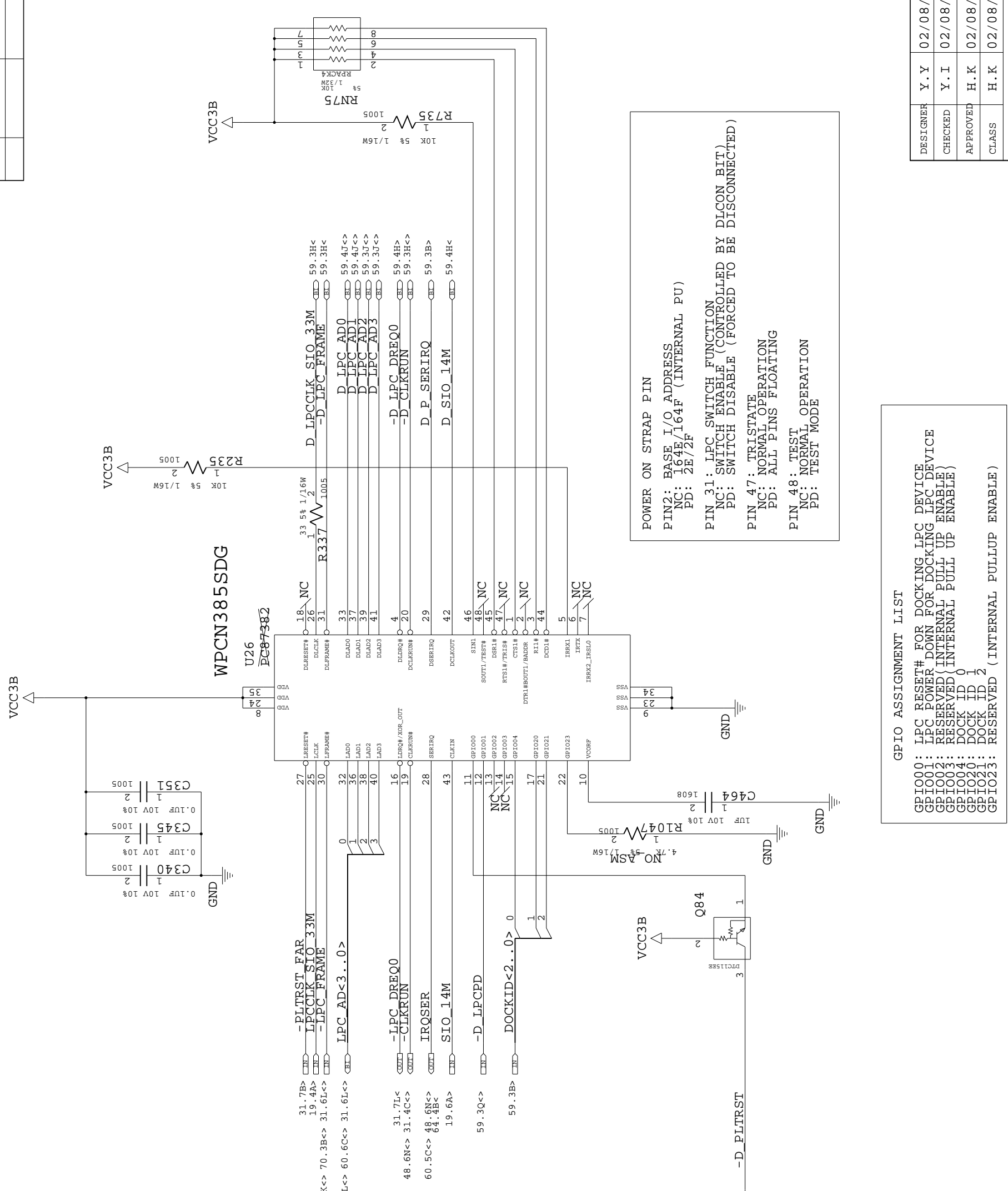
ULTRAPWR

ULTRAPWR

ULTRAPWR

ULTRAPWR





POWER ON STRAP PIN  
 PIN2: BASE I/O ADDRESS  
 NC: 164E/164F (INTERNAL PU)  
 PD: 2E/2F

PIN 31: LPC SWITCH FUNCTION  
 NC: SWITCH ENABLE (CONTROLLED BY DLCON BIT)  
 PD: SWITCH DISABLE (FORCED TO BE DISCONNECTED)

PIN 47: TRISTATE  
 NC: NORMAL OPERATION  
 PD: ALL PINS FLOATING

PIN 48: TEST  
 NC: NORMAL OPERATION  
 PD: TEST MODE

GPIO ASSIGNMENT LIST

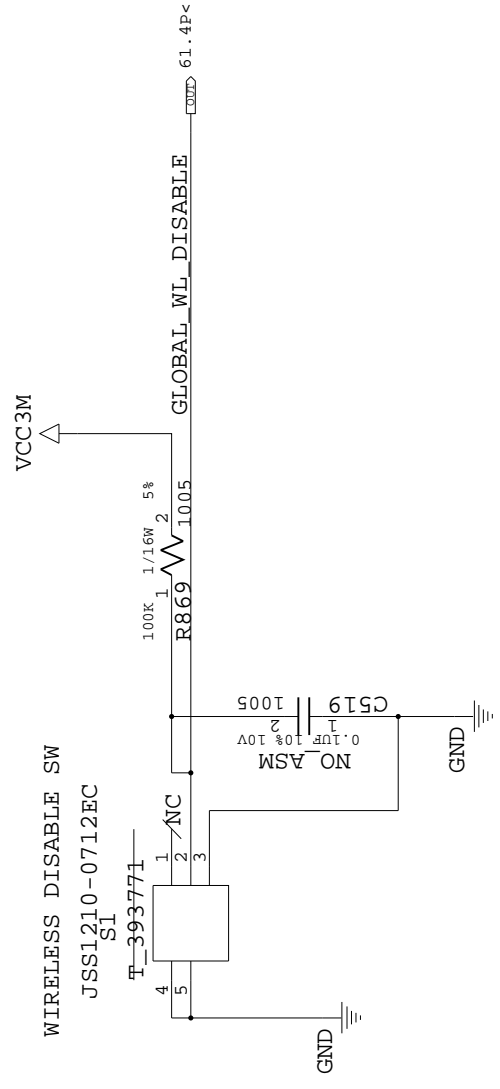
GPIO00: LPC RESET# FOR DOCKING LPC DEVICE  
 GPIO01: LPC POWER\_DOWN FOR DOCKING LPC DEVICE  
 GPIO02: RESERVED (INTERNAL PULL UP ENABLE)  
 GPIO03: RESERVED (INTERNAL PULL UP ENABLE)  
 GPIO04: DOCK ID 0  
 GPIO20: DOCK ID 1  
 GPIO21: DOCK ID 2  
 GPIO23: RESERVED (INTERNAL PULLUP ENABLE)

DESIGNER	Y. Y	02/08/07	PART NO.	42W9239
CHECKED	Y. I	02/08/07	TITLE	GENBU-5W
APPROVED	H. K	02/08/07		SUPER I/O
CLASS	H. K	02/08/07		

THIS DOCUMENT IS THE PROPERTY OF LENOVO. IT IS TO BE USED ONLY FOR THE PROJECT AND FOR THE PERIOD OF TIME SPECIFIED IN THE ORDER. IT IS NOT TO BE REPRODUCED, COPIED, OR TRANSMITTED IN ANY FORM OR BY ANY MEANS, WITHOUT THE WRITTEN PERMISSION OF LENOVO. ALL QUESTIONS MUST BE REFERRED TO THE LENOVO PURCHASING DEPARTMENT.

REL	02/08/07	L11412	42W9239
			66 / 98

DATE	EC NO.	PART NO.
02/08/07	L11412	42W9239
		DEVELOPMENT NO.
		Q/M

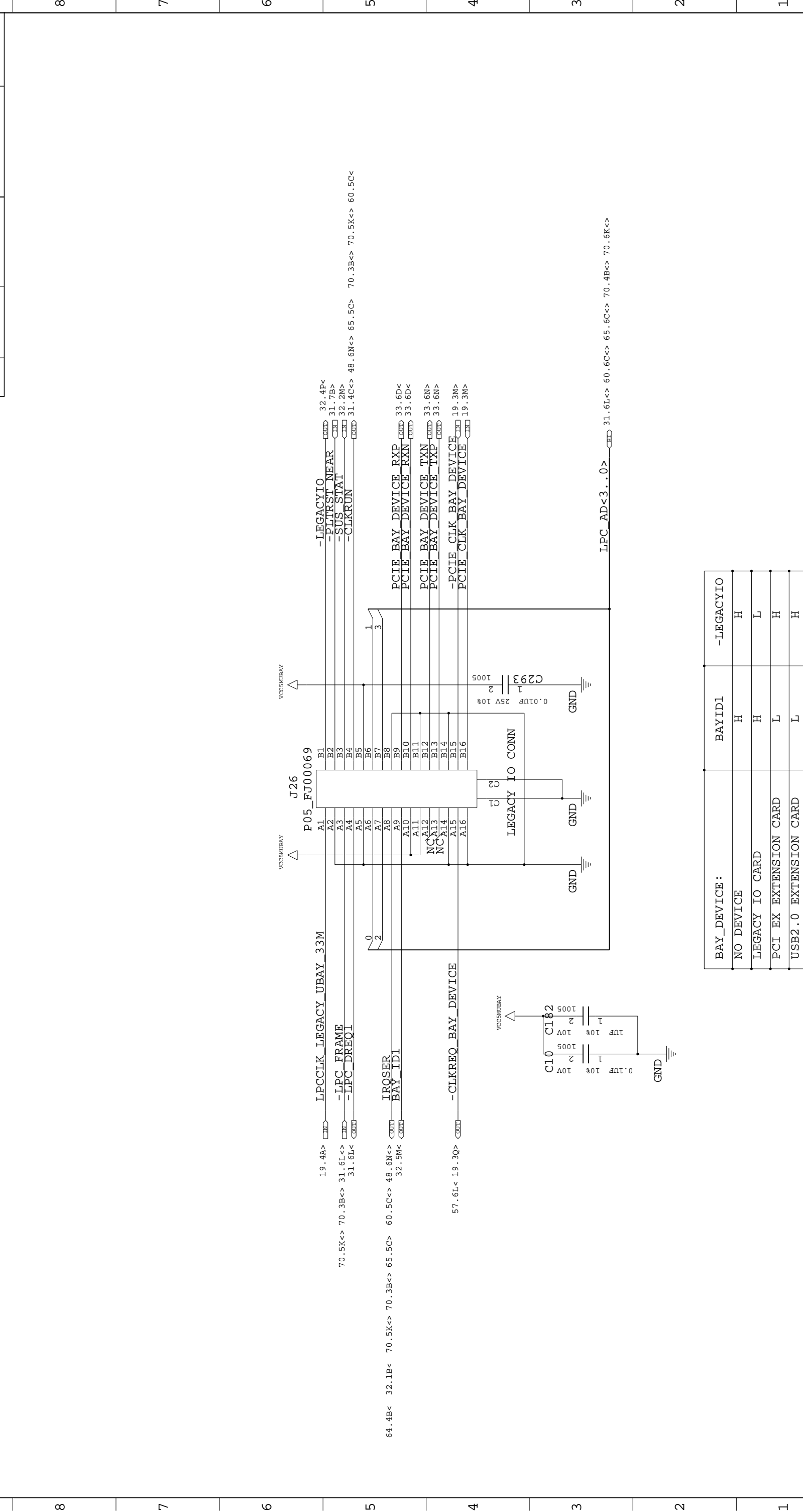


DESIGNER	Y. Y	02/08/07	PART NO.	42W9239
CHECKED	Y. I	02/08/07	TITLE	GENBU-5W
APPROVED	H. K	02/08/07	CLASS	WIRELESS DISABLE SW
THIS DOCUMENT IS THE PROPERTY OF LENOVO. IT IS LOANED TO YOU FOR YOUR USE ONLY. IT IS NOT TO BE REPRODUCED OR TRANSMITTED IN ANY FORM OR BY ANY MEANS, ELECTRONIC OR MECHANICAL, INCLUDING PHOTOCOPYING, RECORDING, OR BY ANY INFORMATION STORAGE AND RETRIEVAL SYSTEM. FOR MORE INFORMATION, CONTACT YOUR LENOVO PURCHASING DEPARTMENT.				

42W9239

LENOVO CONFIDENTIAL

REL	02/08/07	L11412	42W9239
DATE	02/08/07	L11412	42W9239
EC NO.			
PART NO.			
DEVELOPMENT NO.			
Q/M			
			67 / 98



BAY_DEVICE:	BAYID1	-LEGACYIO
NO DEVICE	H	H
LEGACY IO CARD	H	L
PCI EX EXTENSION CARD	L	H
USB2.0 EXTENSION CARD	L	H

DESIGNER	Y.Y	02/08/07	PART NO.	42W9239
CHECKED	Y.I	02/08/07	TITLE	GENBU-5W
APPROVED	H.K	02/08/07	CLASS	SERIAL INTERFACE
CLASS	H.K	02/08/07	THIS DOCUMENT IS THE PROPERTY OF LENOVO. IT IS TO BE USED ONLY IN CONNECTION WITH THE PRODUCT AND SERVICE TO WHICH IT IS REFERRED TO. ALL RIGHTS ARE RESERVED. NO PART OF THIS DOCUMENT IS TO BE REPRODUCED OR TRANSMITTED IN ANY FORM OR BY ANY MEANS, ELECTRONIC OR MECHANICAL, INCLUDING PHOTOCOPYING, RECORDING, OR BY ANY INFORMATION STORAGE AND RETRIEVAL SYSTEM, WITHOUT PERMISSION IN WRITING FROM LENOVO. ALL QUESTIONS MUST BE REFERRED TO THE LENOVO PURCHASING DEPARTMENT.	

42W9239

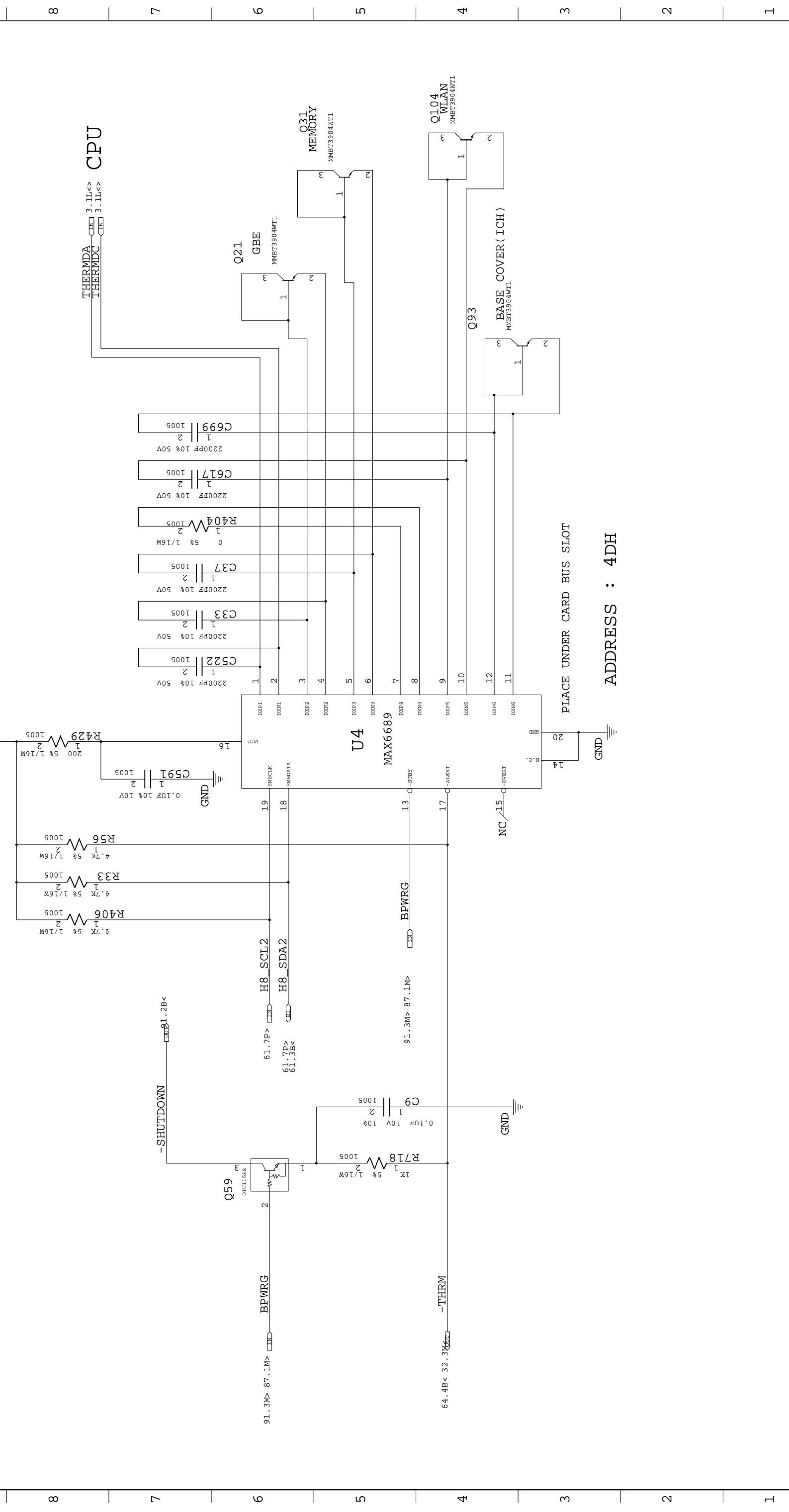
REL	DATE	EC NO.	PART NO.
	02/08/07	L11412	42W9239
			DEVELOPMENT NO.
			Q/M
			68 /98

# BLANK PAGE

42W9239

DESIGNER	Y. Y	02/08/07	PART NO.	
CHECKED	Y. I	02/08/07		42W9239
APPROVED	H. K	02/08/07	TITLE	GENBU-5W
CLASS	H. K	02/08/07		BLANK PAGE
THIS DOCUMENT IS THE PROPERTY OF LENOVO. IT IS TO BE USED ONLY FOR REFERRING TO A REQUEST FOR QUOTATION OR FOR THE PERFORMANCE OF WORK FOR LENOVO. ALL QUESTIONS MUST BE REFERRED TO THE LENOVO PURCHASING DEPARTMENT.				

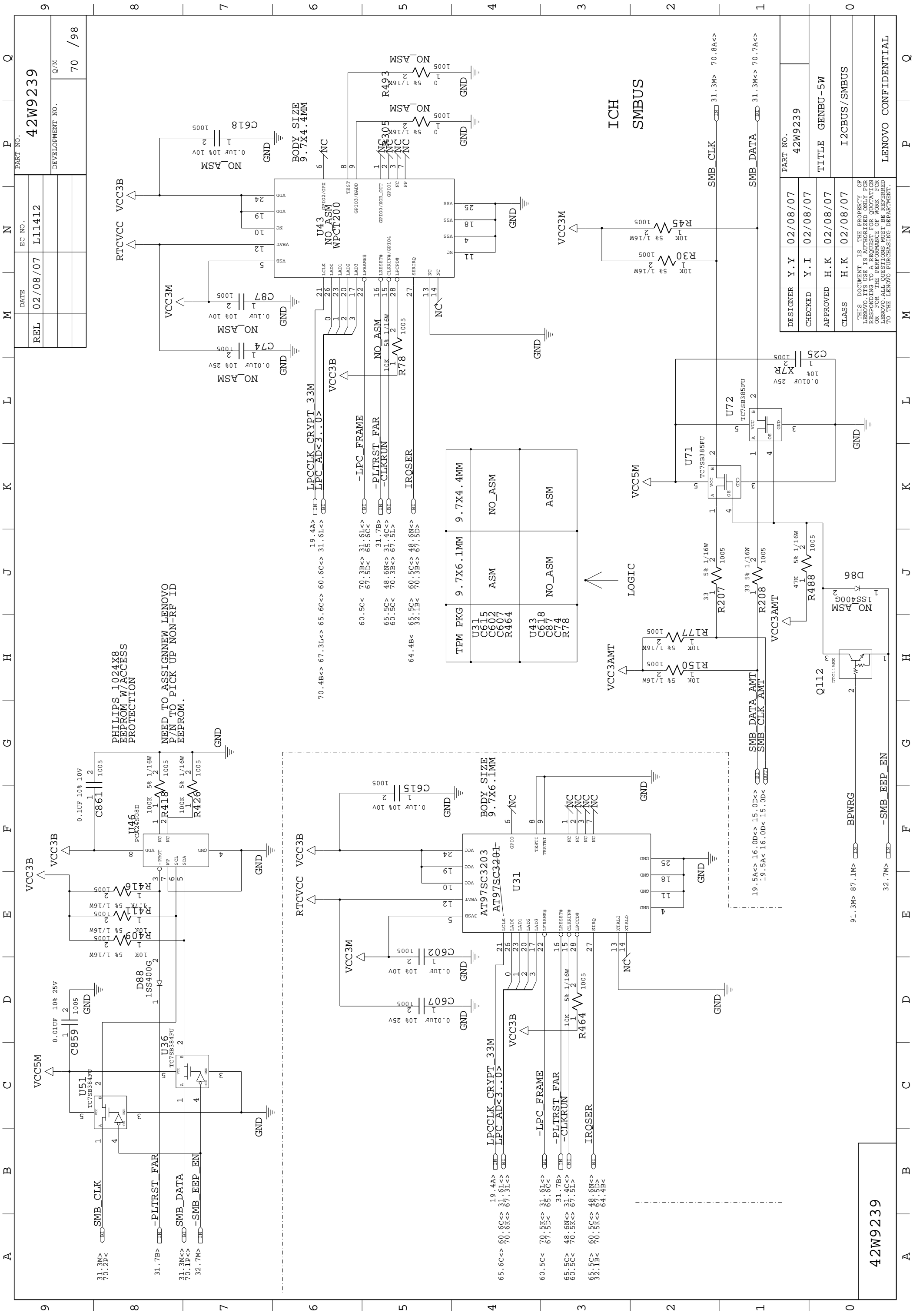
REL	02/08/07	L11412	42W9239
DATE	02/08/07	L11412	42W9239
EC NO.			
PART NO.			
DEVELOPMENT NO.			
Q/M			
			69 / 98



PLACE UNDER CARD BUS SLOT  
ADDRESS : 4DH

DESIGNER	Y. Y	02/08/07	PART NO.	42W9239
CHECKED	Y. I	02/08/07	TITLE	GENBU-5W
APPROVED	H. K	02/08/07	CLASS	THERMAL SENSOR
CLASS	H. K	02/08/07	THIS DOCUMENT IS THE PROPERTY OF LENOVO. IT IS LOANED TO YOU FOR USE ONLY. IT IS NOT TO BE REPRODUCED OR TRANSMITTED IN ANY FORM OR BY ANY MEANS, ELECTRONIC OR MECHANICAL, INCLUDING PHOTOCOPYING, RECORDING, OR BY ANY INFORMATION STORAGE AND RETRIEVAL SYSTEM. WITHOUT PERMISSION IN WRITING FROM LENOVO, ALL QUESTIONS MUST BE REFERRED TO THE LENOVO PURCHASING DEPARTMENT.	

42W9239



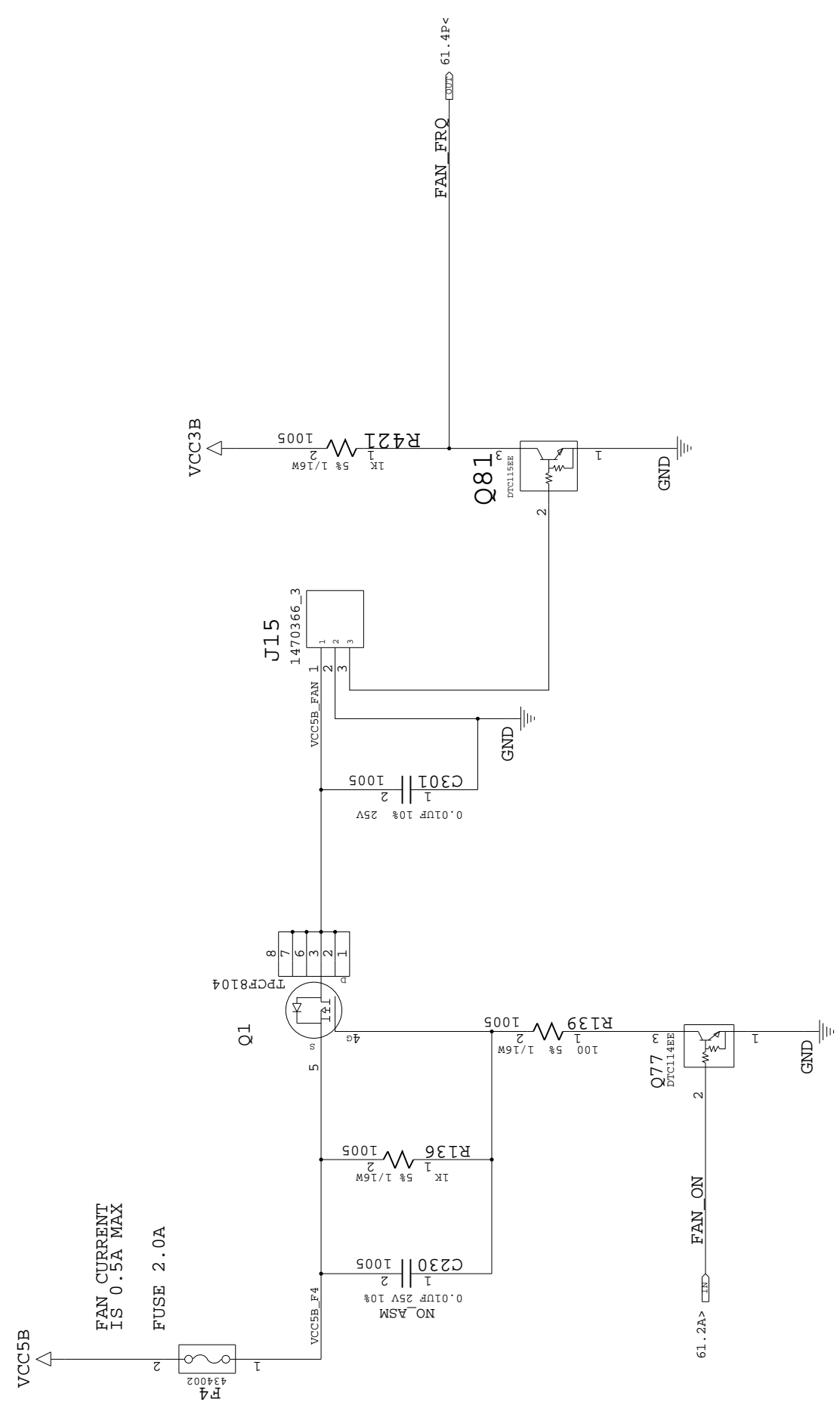
42W9239

DESIGNER	Y. Y	02/08/07	PART NO.	42W9239
CHECKED	Y. I	02/08/07	TITLE	GENBU-5W
APPROVED	H. K	02/08/07		
CLASS	H. K	02/08/07		

THIS DOCUMENT IS THE PROPERTY OF LENOVO. IT IS LOANED TO YOU FOR USE ONLY. IT IS NOT TO BE REPRODUCED OR TRANSMITTED IN ANY FORM OR BY ANY MEANS, ELECTRONIC OR MECHANICAL, INCLUDING PHOTOCOPYING, RECORDING, OR BY ANY INFORMATION STORAGE AND RETRIEVAL SYSTEM. ALL RIGHTS ARE RESERVED. FOR MORE INFORMATION, CONTACT YOUR LENOVO ACCOUNT MANAGER OR THE LENOVO PURCHASING DEPARTMENT.

REL	02/08/07	L11412	PART NO.	42W9239
			DEVELOPMENT NO.	Q/M
				70 / 98

REL	02/08/07	L11412	42W9239
DATE	02/08/07	L11412	42W9239
EC NO.			
PART NO.			
DEVELOPMENT NO.		71 / 98	



FAN CURRENT IS 0.5A MAX  
FUSE 2.0A

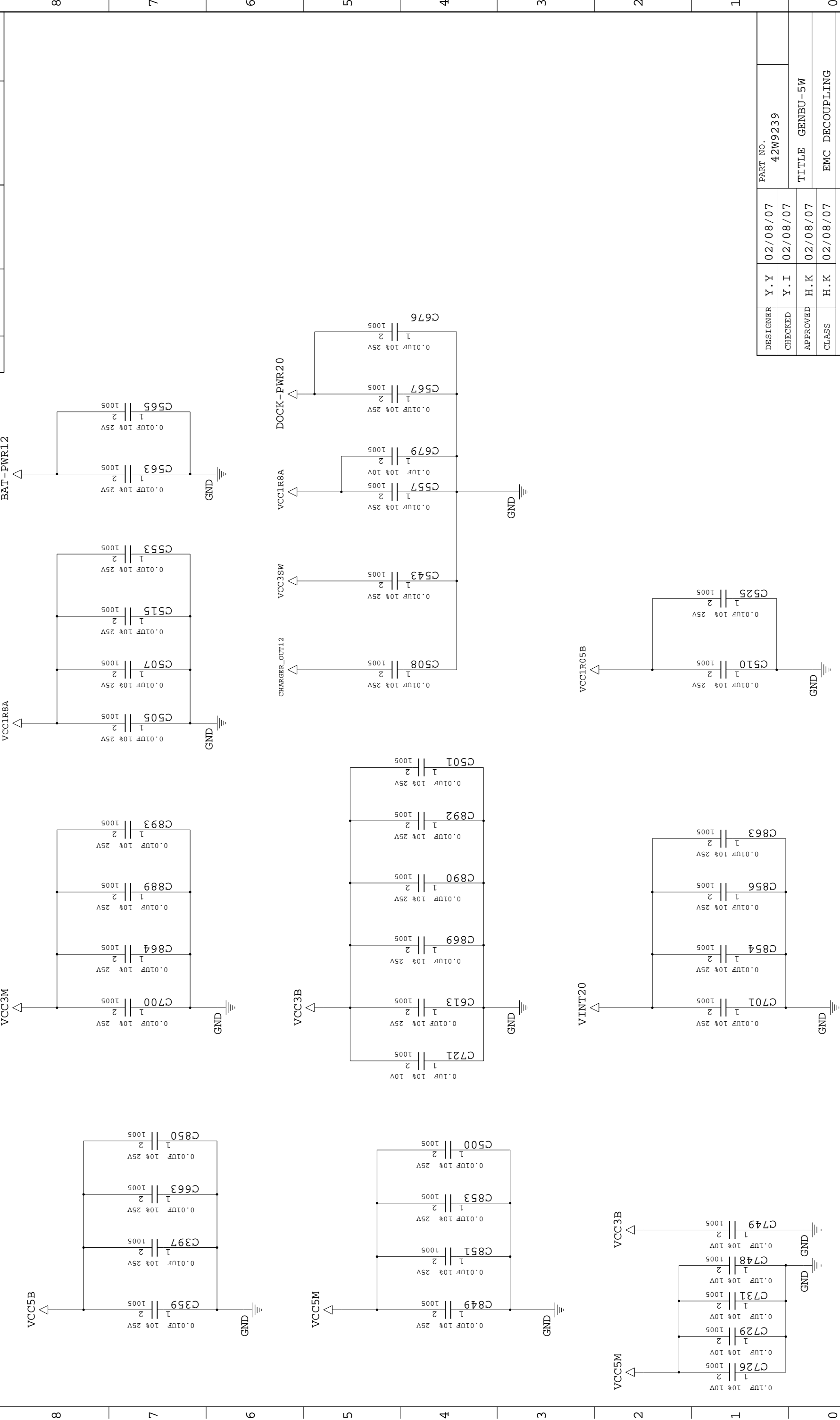
DESIGNER	Y. Y	02/08/07	PART NO.	42W9239
CHECKED	Y. I	02/08/07	TITLE	GENBU-5W
APPROVED	H. K	02/08/07	CLASS	FAN CONNECTOR
THIS DOCUMENT IS THE PROPERTY OF LENOVO. IT IS LOANED TO YOU FOR USE ONLY. IT IS NOT TO BE REPRODUCED OR TRANSMITTED IN ANY FORM OR BY ANY MEANS, ELECTRONIC OR MECHANICAL, INCLUDING PHOTOCOPYING, RECORDING, OR BY ANY INFORMATION STORAGE AND RETRIEVAL SYSTEM. ALL RIGHTS ARE RESERVED. FOR MORE INFORMATION, CONTACT THE LENOVO PURCHASING DEPARTMENT.				

42W9239



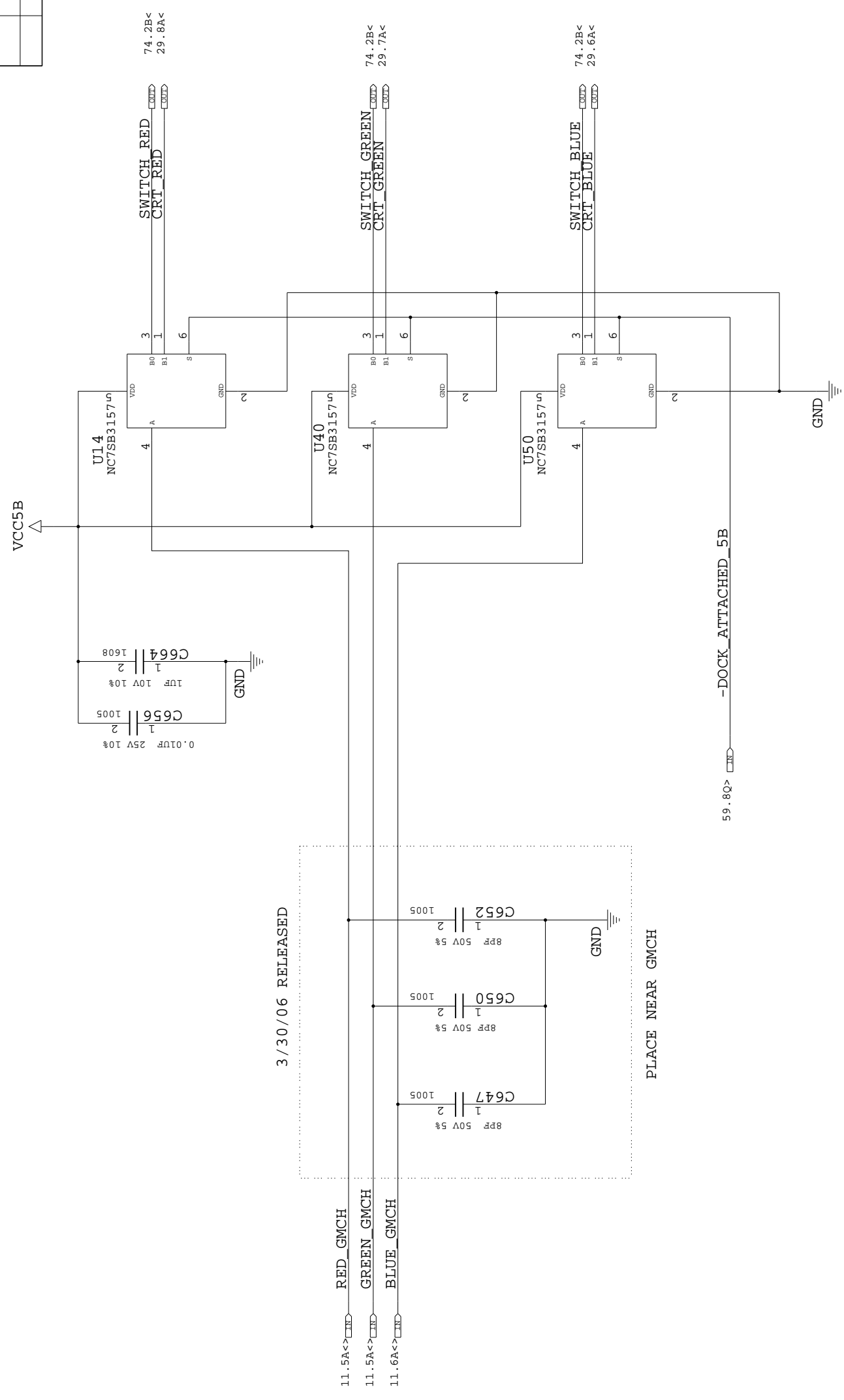


REL	DATE	EC NO.	PART NO.
02/08/07	02/08/07	L11412	42W9239
			DEVELOPMENT NO.
			Q/M
			73 / 98



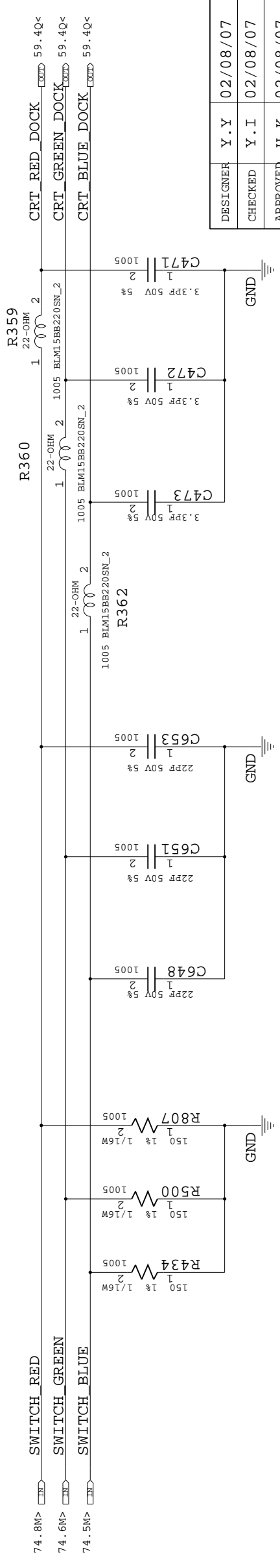
DESIGNER				Y. Y	02/08/07	PART NO.	42W9239
CHECKED				Y. I	02/08/07	TITLE	GENBU-5W
APPROVED				H. K	02/08/07	CLASS	EMC DECOUPLING
CLASS				H. K	02/08/07	THIS DOCUMENT IS THE PROPERTY OF LENOVO. IT IS LOANED TO YOU FOR USE ONLY. IT IS NOT TO BE REPRODUCED OR TRANSMITTED IN ANY FORM OR BY ANY MEANS, ELECTRONIC OR MECHANICAL, INCLUDING PHOTOCOPYING, RECORDING, OR BY ANY INFORMATION STORAGE AND RETRIEVAL SYSTEM. ALL RIGHTS ARE RESERVED. FOR MORE INFORMATION, CONTACT THE LENOVO PURCHASING DEPARTMENT.	
42W9239				LENOVO CONFIDENTIAL			

A	B	C	D	E	F	G	H	J	K	L	M	N	P	Q
REL 02/08/07 L11412												DATE	EC NO.	PART NO.
74 / 98														42W9239
														DEVELOPMENT NO.
														Q/M



3/30/06 RELEASED

PLACE NEAR GMCH

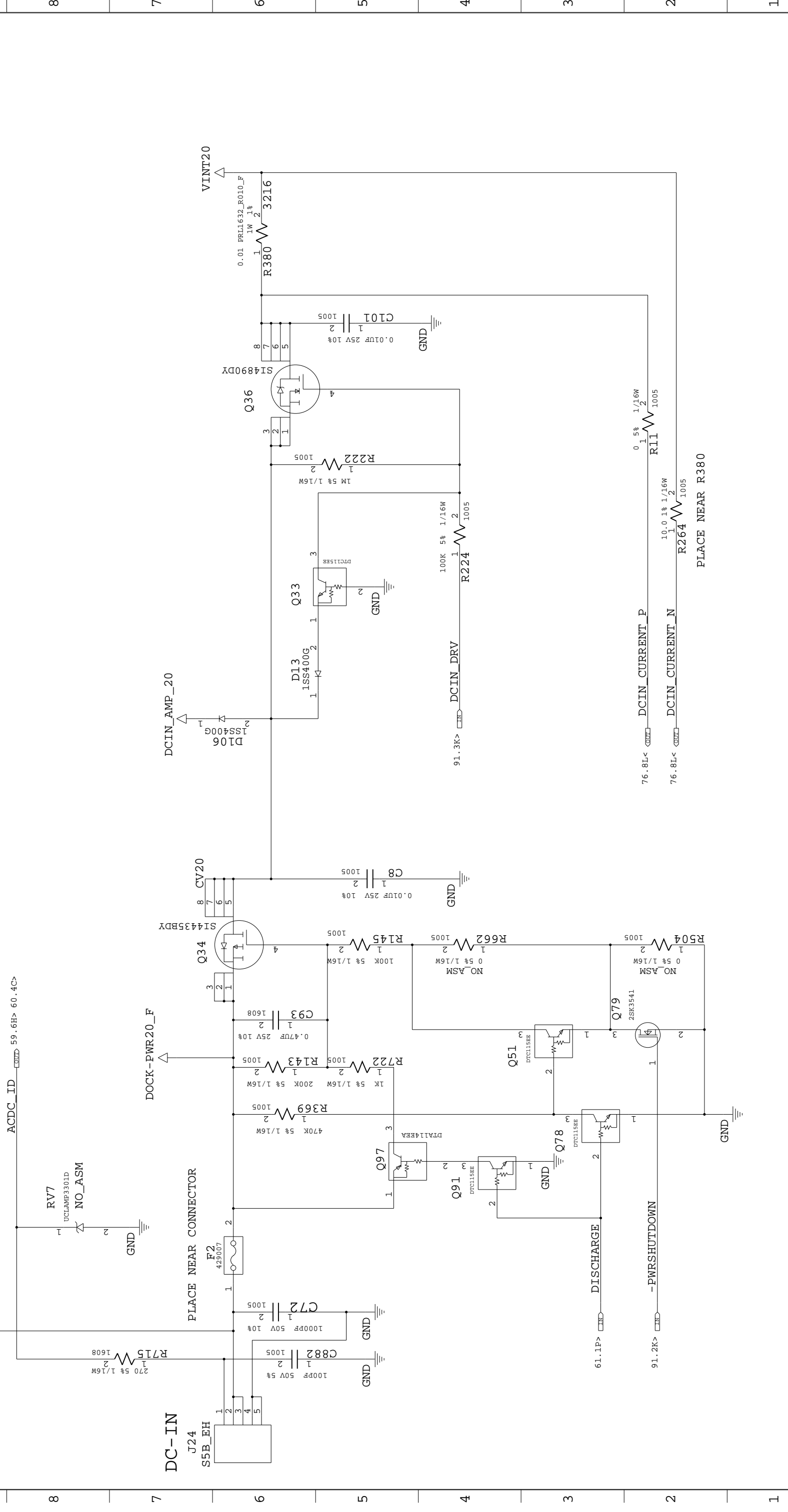


42W9239

DESIGNER	Y. Y	02/08/07	PART NO.	42W9239
CHECKED	Y. I	02/08/07	TITLE	GENBU-5W
APPROVED	H. K	02/08/07	CLASS	RGB SWITCH
THIS DOCUMENT IS THE PROPERTY OF LENOVO. IT IS LOANED TO YOU BY LENOVO. IT IS TO BE USED ONLY FOR THE PURPOSES SPECIFIED IN THE ORDER. FOR THE PERFORMANCE OF WORK FOR LENOVO, ALL QUESTIONS MUST BE REFERRED TO THE LENOVO PURCHASING DEPARTMENT.				

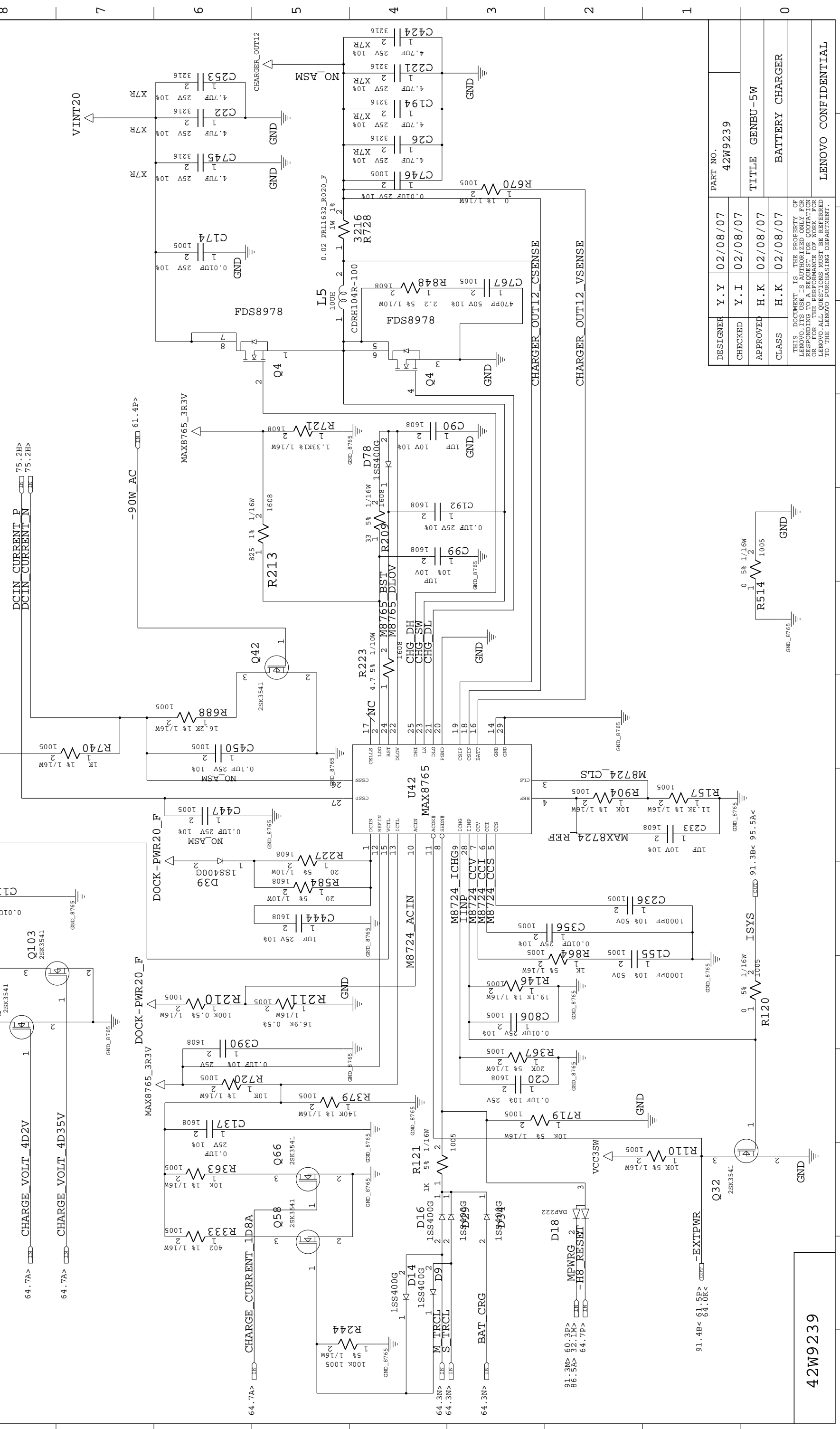
A	B	C	D	E	F	G	H	J	K	L	M	N	P	Q
LENOVO CONFIDENTIAL														

REL	02/08/07	EC NO.	L11412	PART NO.	42W9239
		DATE			
		DEVELOPMENT NO.	Q/M		75 / 98



REL	02/08/07	L11412	42W9239
DATE	02/08/07	L11412	42W9239
EC NO.			
PART NO.			
DEVELOPMENT NO.			76 / 98

R211 ONLY FOR 3 CELLS  
BATTERY SYSTEM  
(ALL DAVINCI-3 MODEL)



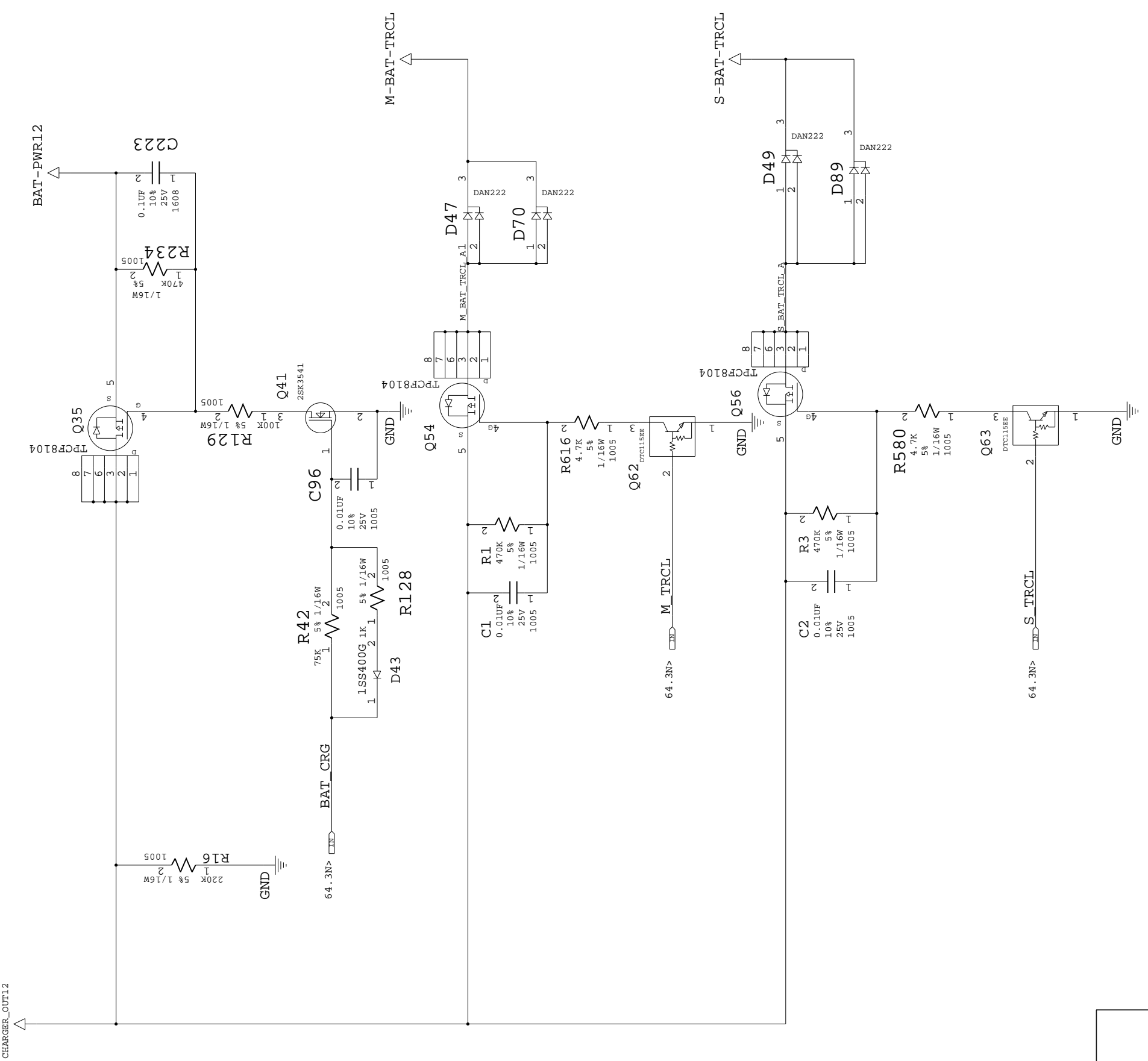
DESIGNER	Y. Y	02/08/07	PART NO.	42W9239
CHECKED	Y. I	02/08/07	TITLE	GENBU-5W
APPROVED	H. K	02/08/07		
CLASS	H. K	02/08/07		

THIS DOCUMENT IS THE PROPERTY OF LENOVO. IT IS LOANED TO YOU FOR YOUR USE ONLY. IT IS NOT TO BE REPRODUCED OR TRANSMITTED IN ANY FORM OR BY ANY MEANS, ELECTRONIC OR MECHANICAL, INCLUDING PHOTOCOPYING, RECORDING, OR BY ANY INFORMATION STORAGE AND RETRIEVAL SYSTEM. ALL RIGHTS RESERVED. FOR MORE INFORMATION, CONTACT THE LENOVO PURCHASING DEPARTMENT.

42W9239

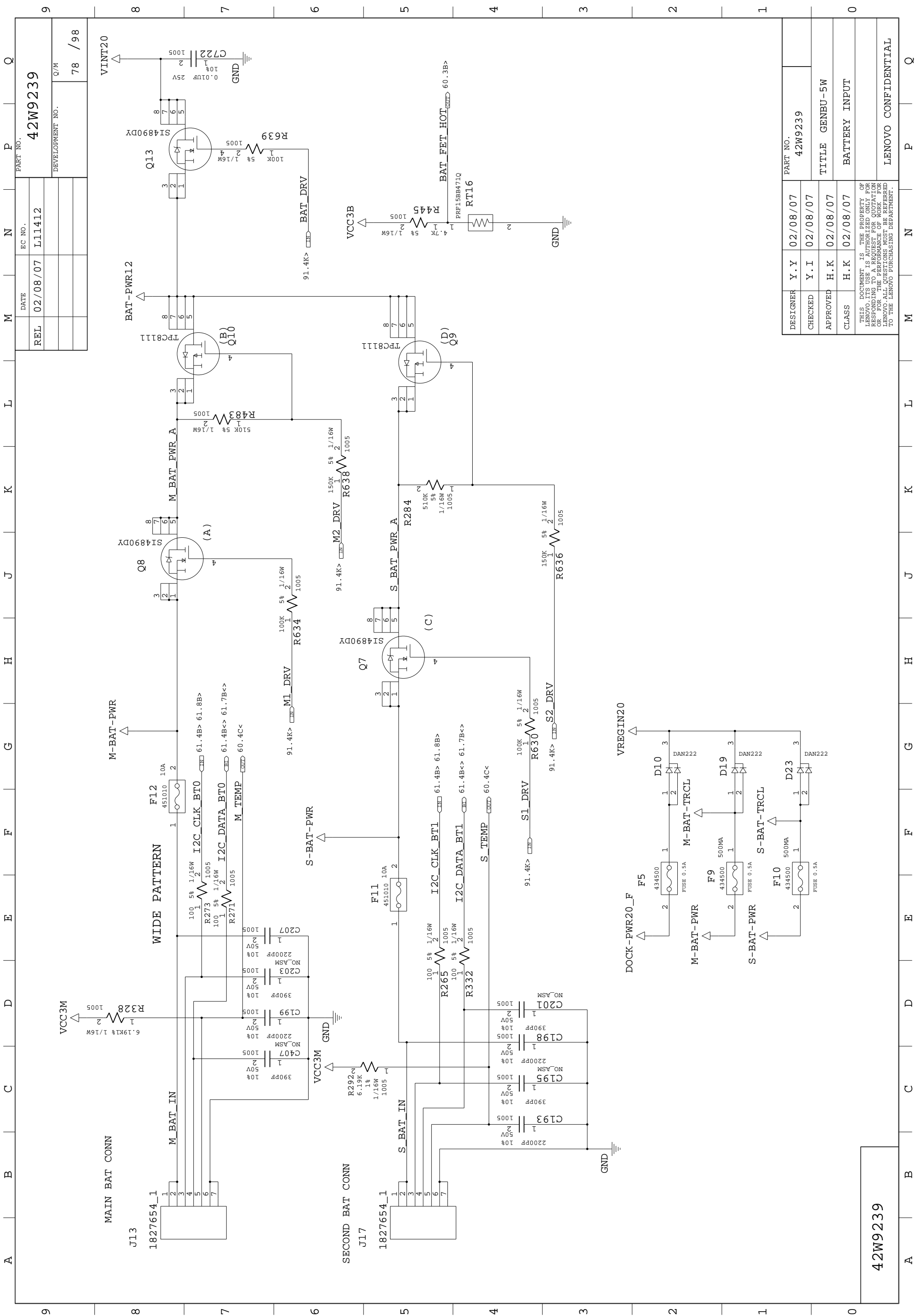
BATTERY CHARGER

REL	DATE	EC NO.	PART NO.
	02/08/07	L11412	42W9239
			DEVELOPMENT NO.
			77 / 98



DESIGNER	Y. Y	02/08/07	PART NO.	42W9239
CHECKED	Y. I	02/08/07	TITLE	GENBU-5W
APPROVED	H. K	02/08/07	CLASS	CHARGE SELECTOR
<small>THIS DOCUMENT IS THE PROPERTY OF LENOVO. IT IS LOANED TO YOU FOR USE ONLY. REPRODUCING OR TRANSMITTING IN ANY FORM OR BY ANY MEANS, WITHOUT PERMISSION IN WRITING FROM LENOVO, IS STRICTLY PROHIBITED. ALL RIGHTS ARE RESERVED. FOR MORE INFORMATION, CONTACT LENOVO. ALL QUESTIONS MUST BE REFERRED TO THE LENOVO PURCHASING DEPARTMENT.</small>				

42W9239



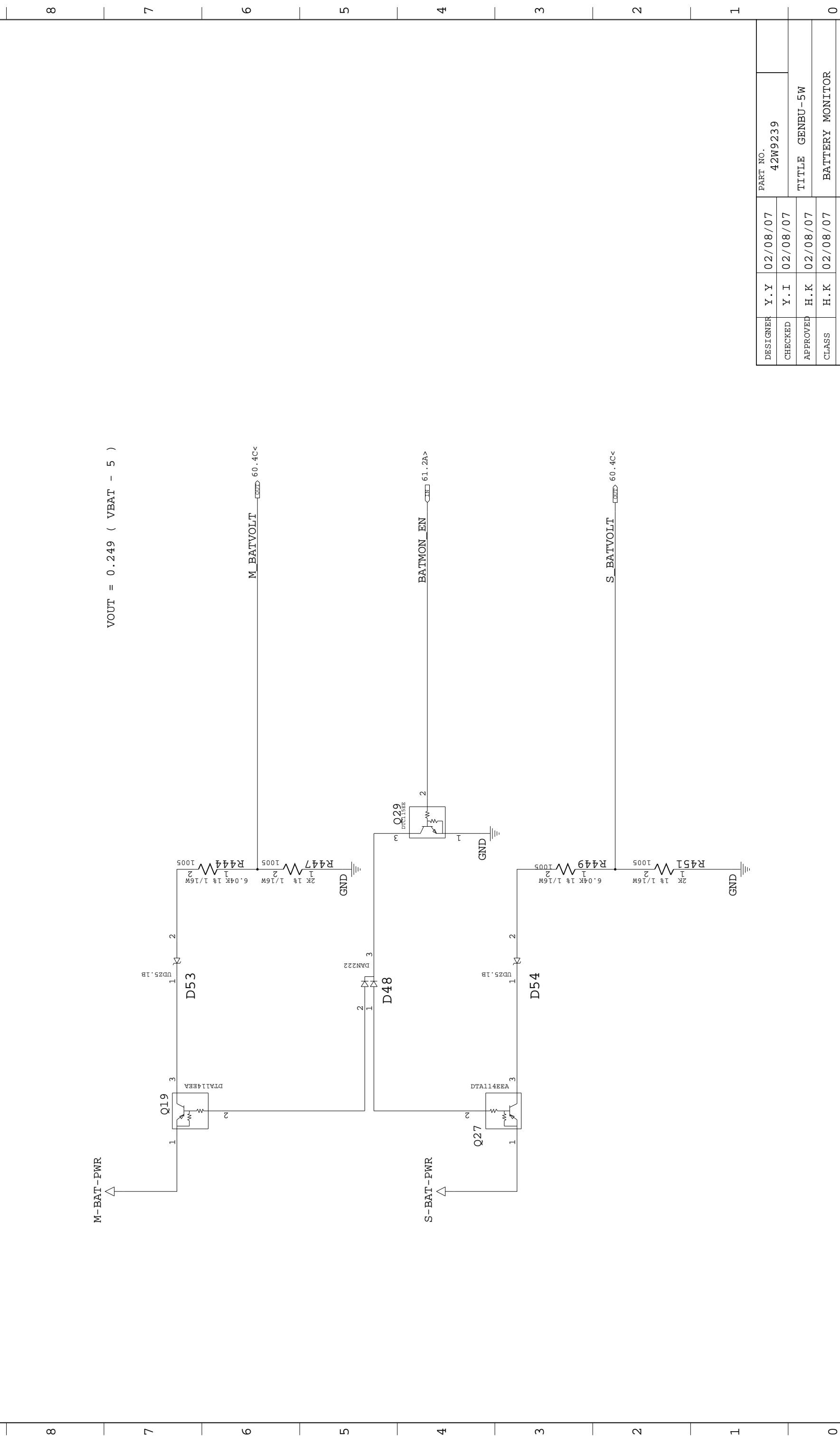
REL	02/08/07	L11412	42W9239
DATE	02/08/07	L11412	42W9239
EC NO.			
PART NO.			
DEVELOPMENT NO.			78 / 98
Q/M			

DESIGNER	Y. Y	02/08/07	PART NO.	42W9239
CHECKED	Y. I	02/08/07	TITLE	GENBU-5W
APPROVED	H. K	02/08/07	BATTERY INPUT	
CLASS	H. K	02/08/07		

THIS DOCUMENT IS THE PROPERTY OF  
LENOVO. IT IS LOANED TO YOU FOR  
YOUR USE ONLY. IT IS NOT TO BE  
REPRODUCED OR TRANSMITTED IN ANY  
FORM OR BY ANY MEANS, ELECTRONIC  
OR MECHANICAL, INCLUDING PHOTOCOPYING,  
RECORDING, OR BY ANY INFORMATION  
SYSTEMS. ALL QUESTIONS MUST BE REFERRED  
TO THE LENOVO PURCHASING DEPARTMENT.

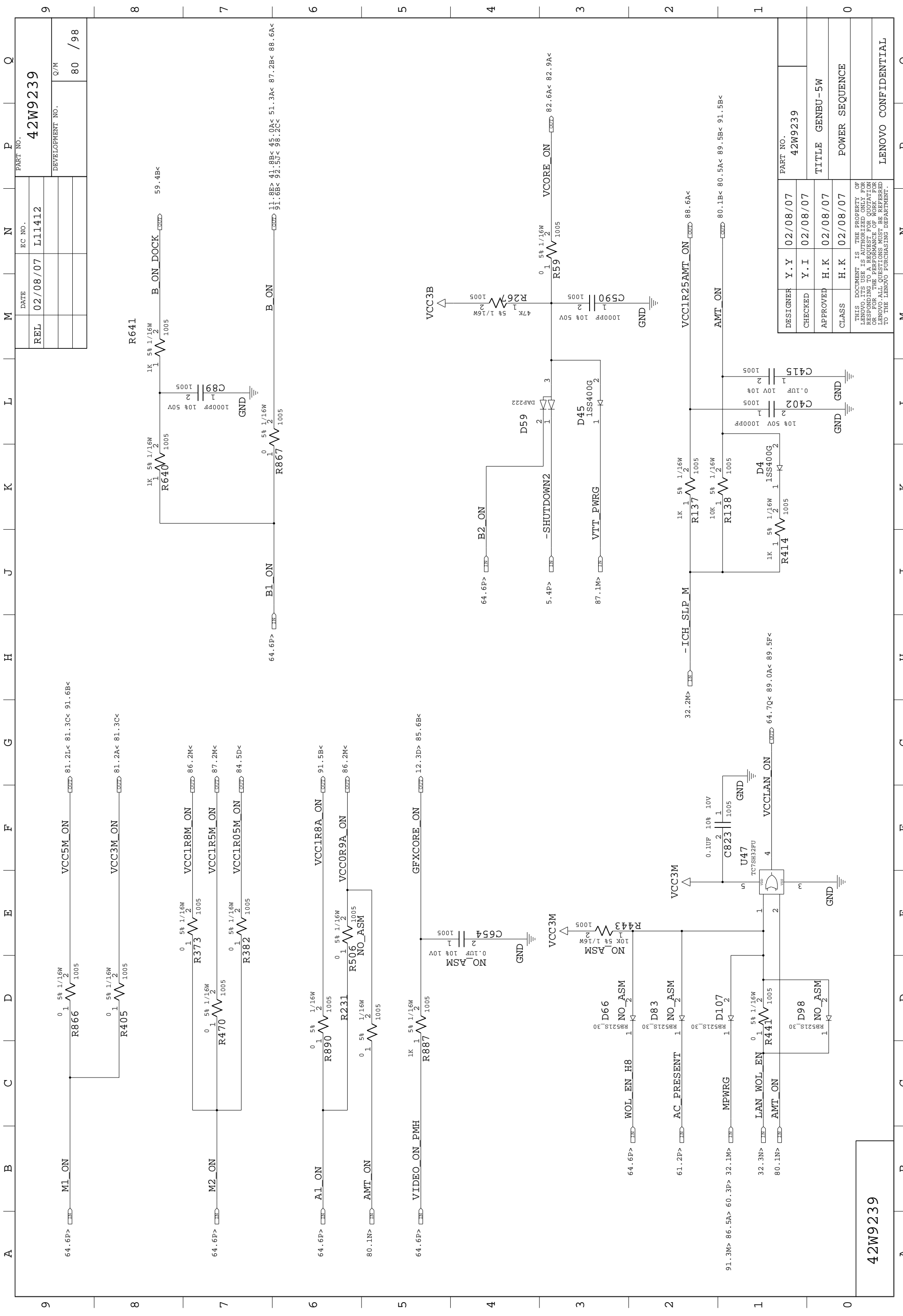
42W9239

REL	02/08/07	L11412	42W9239
			DEVELOPMENT NO. 79 / 98



DESIGNER	Y. Y	02/08/07	PART NO.	42W9239
CHECKED	Y. I	02/08/07	TITLE	GENBU-5W
APPROVED	H. K	02/08/07	CLASS	BATTERY MONITOR
THIS DOCUMENT IS THE PROPERTY OF LENOVO. IT IS TO BE USED ONLY IN ACCORDANCE WITH THE TERMS AND CONDITIONS OF THE LICENSE AGREEMENT. ANY REUSE OR DISTRIBUTION OF THIS DOCUMENT WITHOUT THE WRITTEN PERMISSION OF LENOVO IS STRICTLY PROHIBITED. ALL QUESTIONS MUST BE REFERRED TO THE LENOVO PURCHASING DEPARTMENT.				

42W9239



REL	02/08/07	L11412	42W9239
			DEVELOPMENT NO. Q/M
			80 / 98

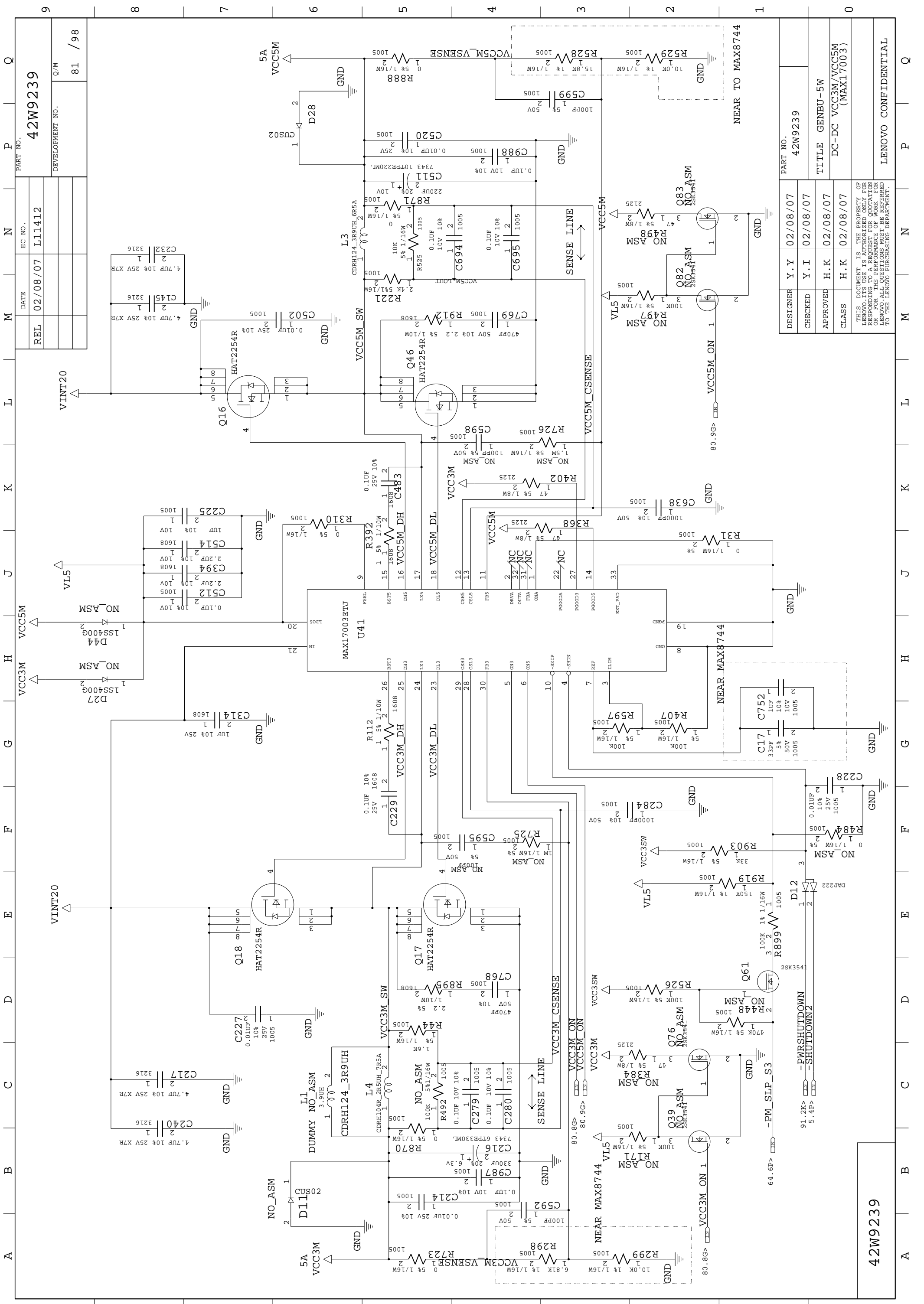
DESIGNER	Y.Y	02/08/07	PART NO.	42W9239
CHECKED	Y.I	02/08/07	TITLE	GENBU-5W
APPROVED	H.K	02/08/07	POWER SEQUENCE	
CLASS	H.K	02/08/07		

THIS DOCUMENT IS THE PROPERTY OF LENOVO. IT IS LOANED TO YOU FOR YOUR USE ONLY. IT IS NOT TO BE REPRODUCED OR TRANSMITTED IN ANY FORM OR BY ANY MEANS, ELECTRONIC OR MECHANICAL, INCLUDING PHOTOCOPYING, RECORDING, OR BY ANY INFORMATION STORAGE AND RETRIEVAL SYSTEM. ALL RIGHTS ARE RESERVED. FOR MORE INFORMATION, CONTACT YOUR LENOVO ACCOUNT MANAGER. LENOVO-ALL QUESTIONS MUST BE REFERRED TO THE LENOVO PURCHASING DEPARTMENT.

42W9239

A B C D E F G H I J K L M N O P Q



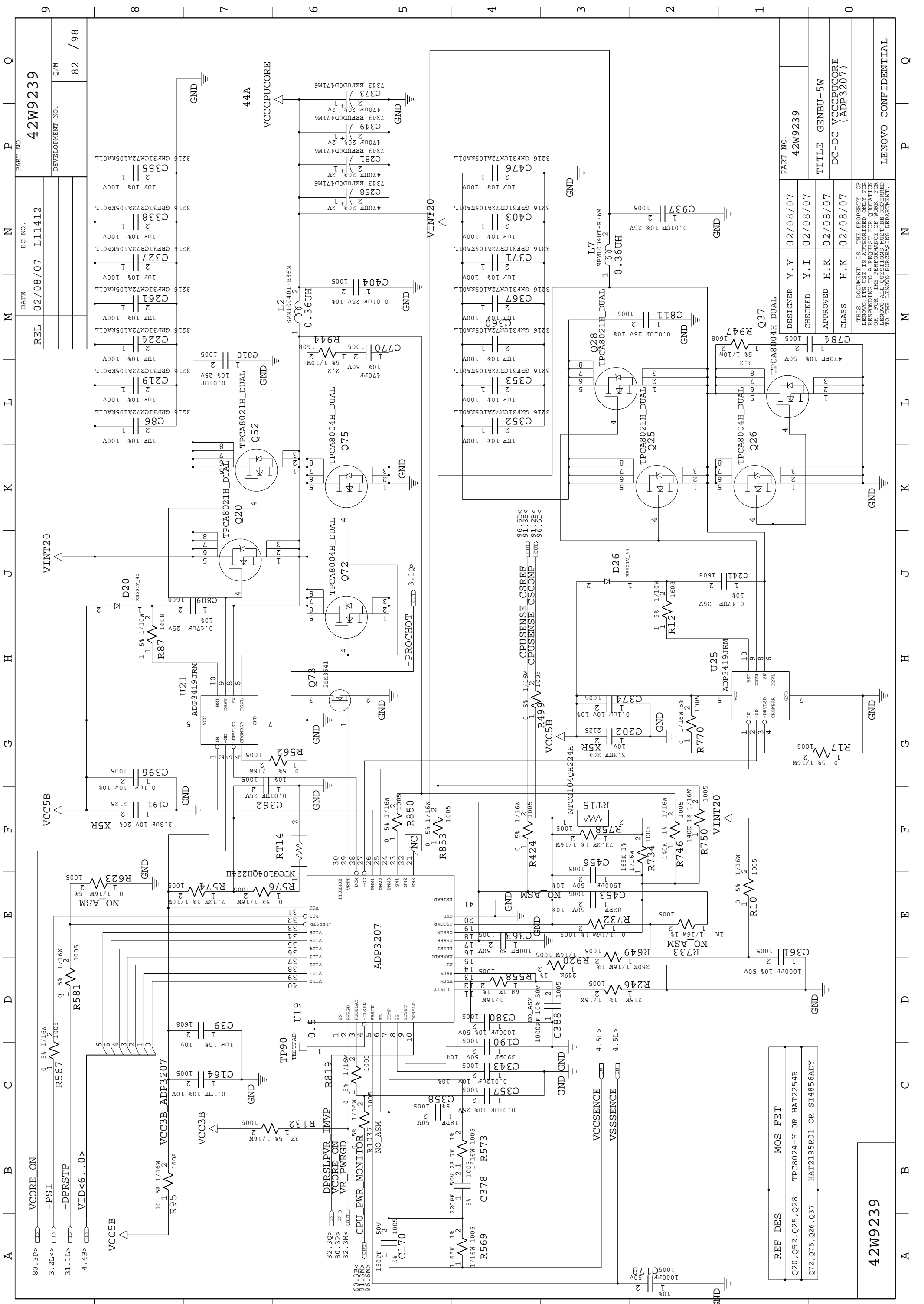


REL	02/08/07	L11412	42W9239
DATE	02/08/07	L11412	42W9239
EC NO.			
PART NO.			
DEVELOPMENT NO.			
			81 / 98

DESIGNER	Y. Y	02/08/07	PART NO.	42W9239
CHECKED	Y. I	02/08/07	TITLE	GENBU-5W
APPROVED	H. K	02/08/07	DC-DC	VCC3M/VCC5M (MAX17003)
CLASS	H. K	02/08/07		

THIS DOCUMENT IS THE PROPERTY OF THE LENOVO PURCHASING DEPARTMENT. IT IS TO BE USED ONLY FOR THE PURPOSES SPECIFIED IN THE REQUEST FOR QUOTATION OR FOR THE PERFORMANCE OF WORK FOR LENOVO. ALL QUESTIONS MUST BE REFERRED TO THE LENOVO PURCHASING DEPARTMENT.

42W9239



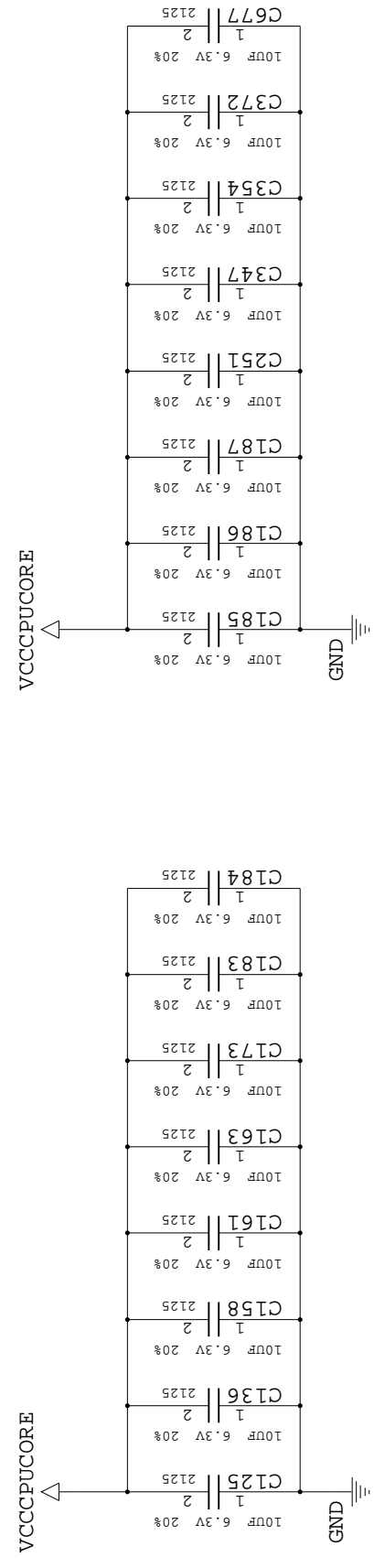
80.3P>	VCORE_ON	REL	02/08/07	EC NO.	L11412	PART NO.	42W9239
3.2L<>	-PSI					DEVELOPMENT NO.	Q/M
31.1L>	-DPRSTP						82 / 98
4.4B>	VID<6..0>						

REF DES	MOS FET	DESIGNER	Y.Y	02/08/07	PART NO.	42W9239
Q20, Q52, Q25, Q28	TPCA8024-H OR HAT2254R	CHECKED	Y.I	02/08/07	TITLE	GENBU-5W
Q72, Q75, Q26, Q37	HAT2195R01 OR SI4856ADY	APPROVED	H.K	02/08/07	CLASS	H.K 02/08/07
42W9239						DC-DC VCCCPUCORE (ADP3207)

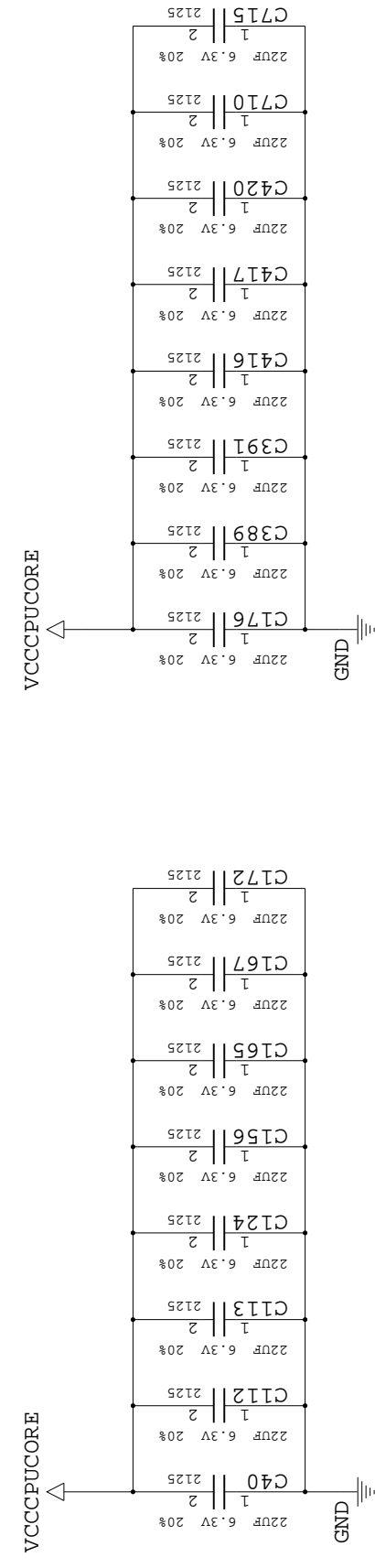
THIS DOCUMENT IS THE PROPERTY OF LENOVO. IT IS LOANED TO YOU BY LENOVO. IT IS TO BE USED ONLY FOR THE PURPOSES SPECIFIED BY LENOVO. IT IS NOT TO BE REPRODUCED, COPIED, OR TRANSMITTED IN ANY FORM OR BY ANY MEANS, ELECTRONIC OR MECHANICAL, INCLUDING PHOTOCOPYING, RECORDING, OR BY ANY INFORMATION STORAGE AND RETRIEVAL SYSTEM. ALL RIGHTS ARE RESERVED. FOR MORE INFORMATION, CONTACT LENOVO. ALL QUESTIONS MUST BE REFERRED TO THE LENOVO PURCHASING DEPARTMENT.

LENOVO CONFIDENTIAL

REL	02/08/07	EC NO.	L11412	PART NO.	42W9239
		DATE			
				DEVELOPMENT NO.	83 / 98
					Q/M



10UF 6.3V X5R 2125 1/16W X 16PCS



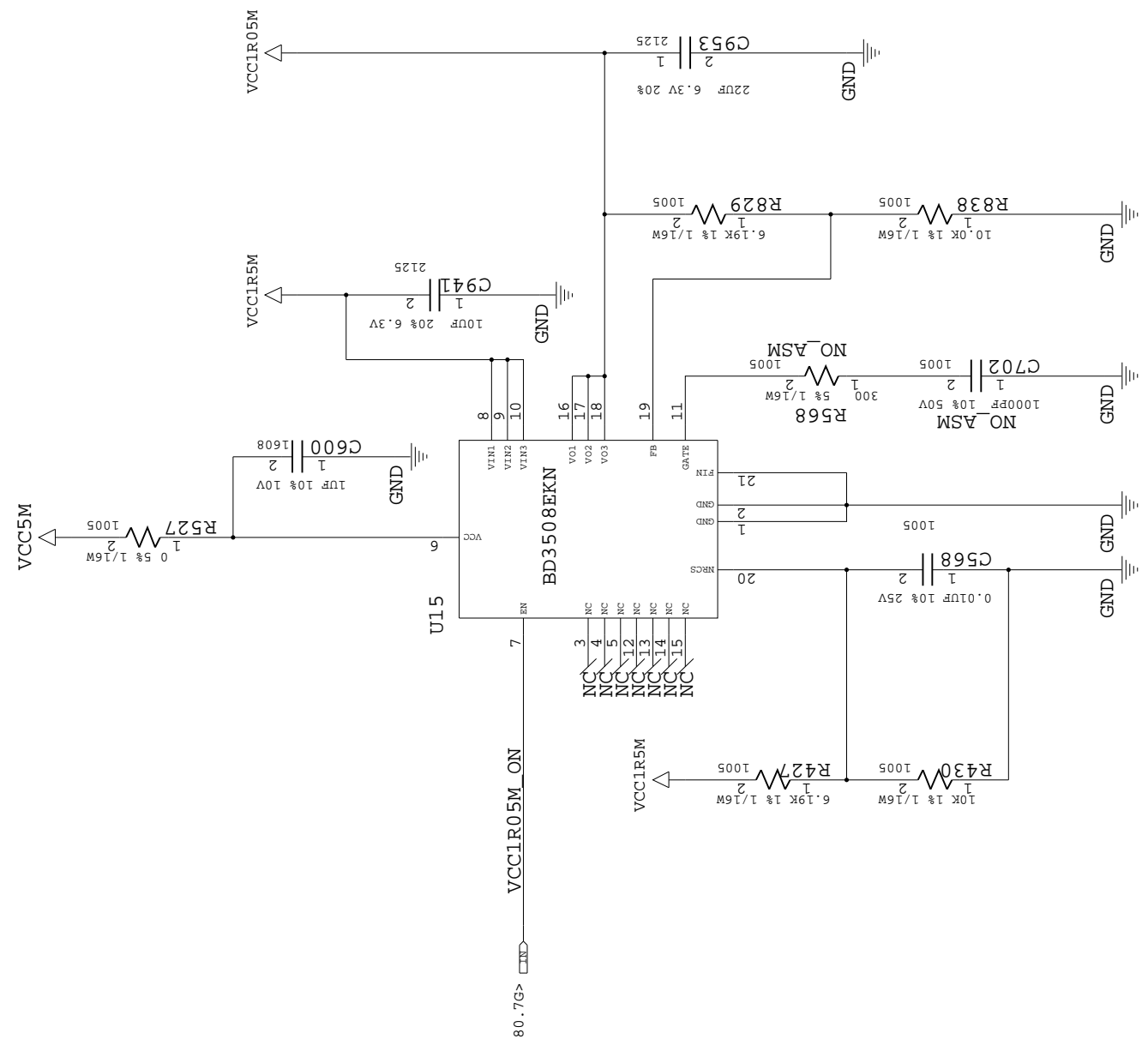
22UF 6.3V X5R 2125 1/16W X 16PCS

DESIGNER	Y. Y	02/08/07	PART NO.	42W9239
CHECKED	Y. I	02/08/07	TITLE	GENBU-5W
APPROVED	H. K	02/08/07	VCCCPUCORE DECOUPLING	
CLASS	H. K	02/08/07	THIS DOCUMENT IS THE PROPERTY OF LENOVO. IT IS TO BE USED ONLY FOR THE PROJECT AND FOR THE QUOTATION REQUESTED. IT IS NOT TO BE REPRODUCED OR TRANSMITTED IN ANY FORM OR BY ANY MEANS, ELECTRONIC OR MECHANICAL, INCLUDING PHOTOCOPYING, RECORDING, OR BY ANY INFORMATION STORAGE AND RETRIEVAL SYSTEM. ALL RIGHTS ARE RESERVED. FOR MORE INFORMATION, PLEASE CONTACT THE LENOVO PURCHASING DEPARTMENT.	

42W9239

LENOVO CONFIDENTIAL

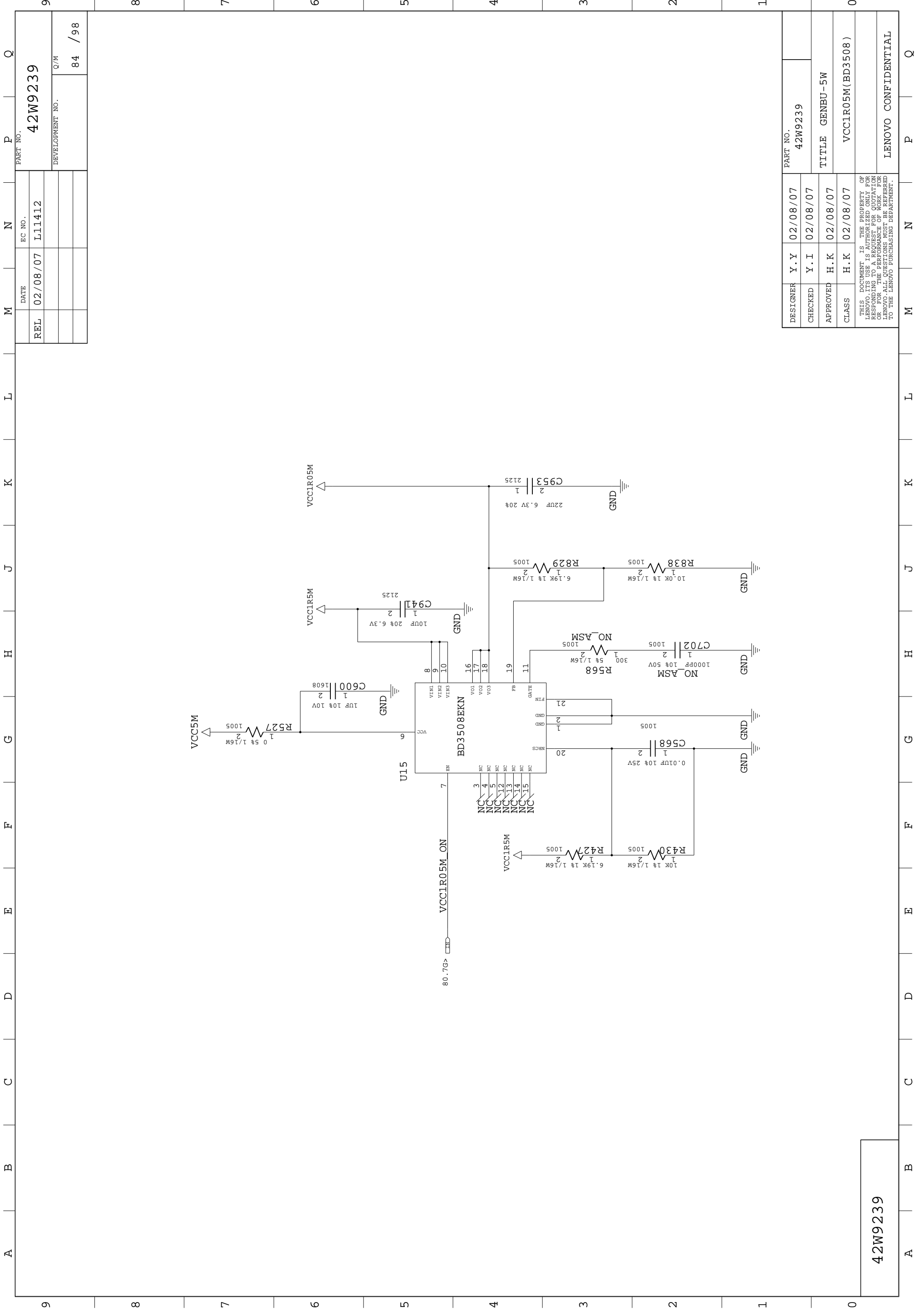
REL	DATE	EC NO.	PART NO.
	02/08/07	L11412	42W9239
			DEVELOPMENT NO.
			84 / 98



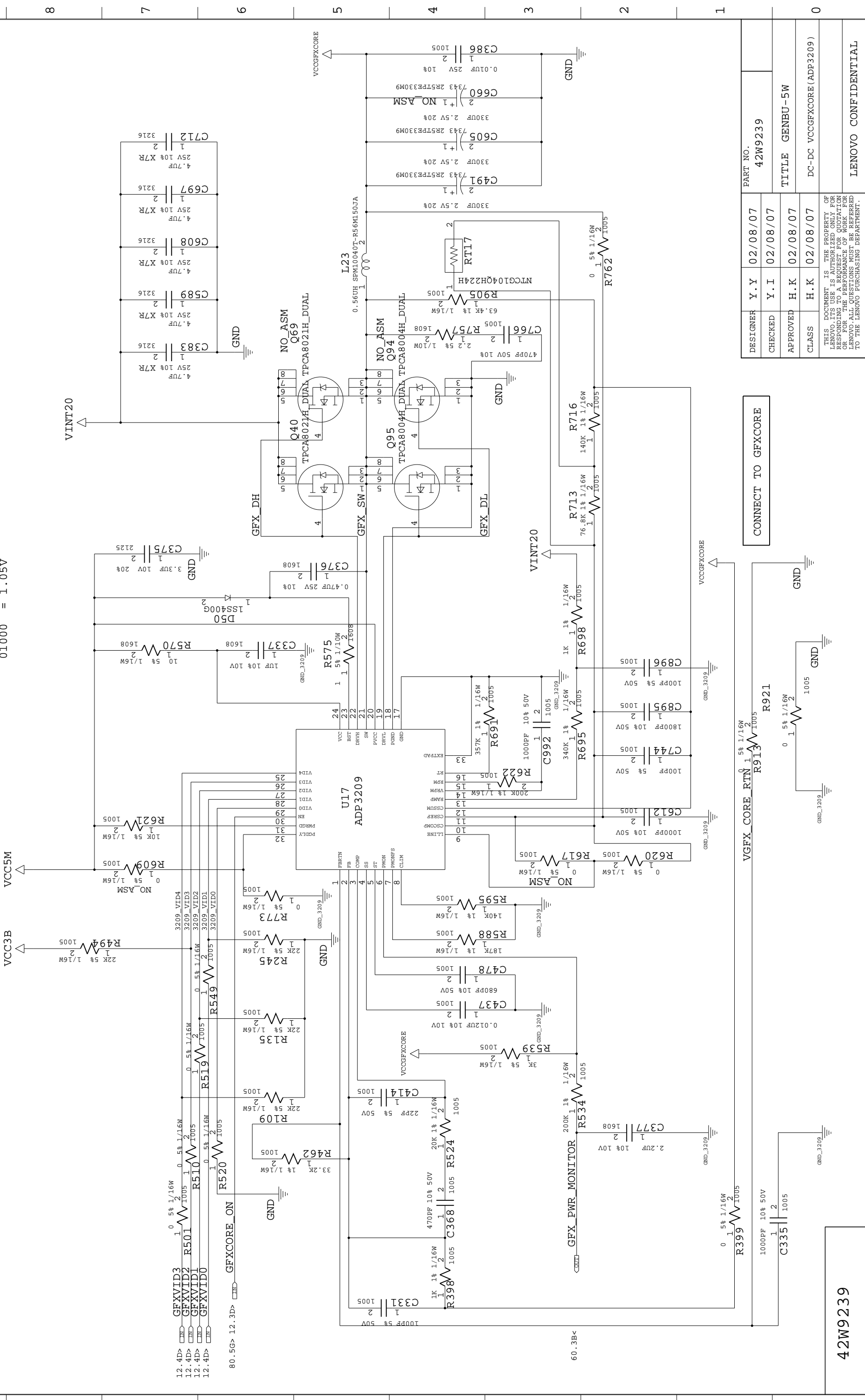
DESIGNER	Y. Y	02/08/07	PART NO.
CHECKED	Y. I	02/08/07	42W9239
APPROVED	H. K	02/08/07	TITLE
CLASS	H. K	02/08/07	VCC1R05M(BD3508)

THIS DOCUMENT IS THE PROPERTY OF  
LENOVO. IT IS LOANED TO YOU FOR  
YOUR USE ONLY. IT IS NOT TO BE  
REPRODUCED OR TRANSMITTED IN ANY  
FORM OR BY ANY MEANS, ELECTRONIC  
OR MECHANICAL, INCLUDING PHOTOCOPYING,  
RECORDING, OR BY ANY INFORMATION  
SYSTEM. ALL QUESTIONS MUST BE REFERRED  
TO THE LENOVO PURCHASING DEPARTMENT.

42W9239



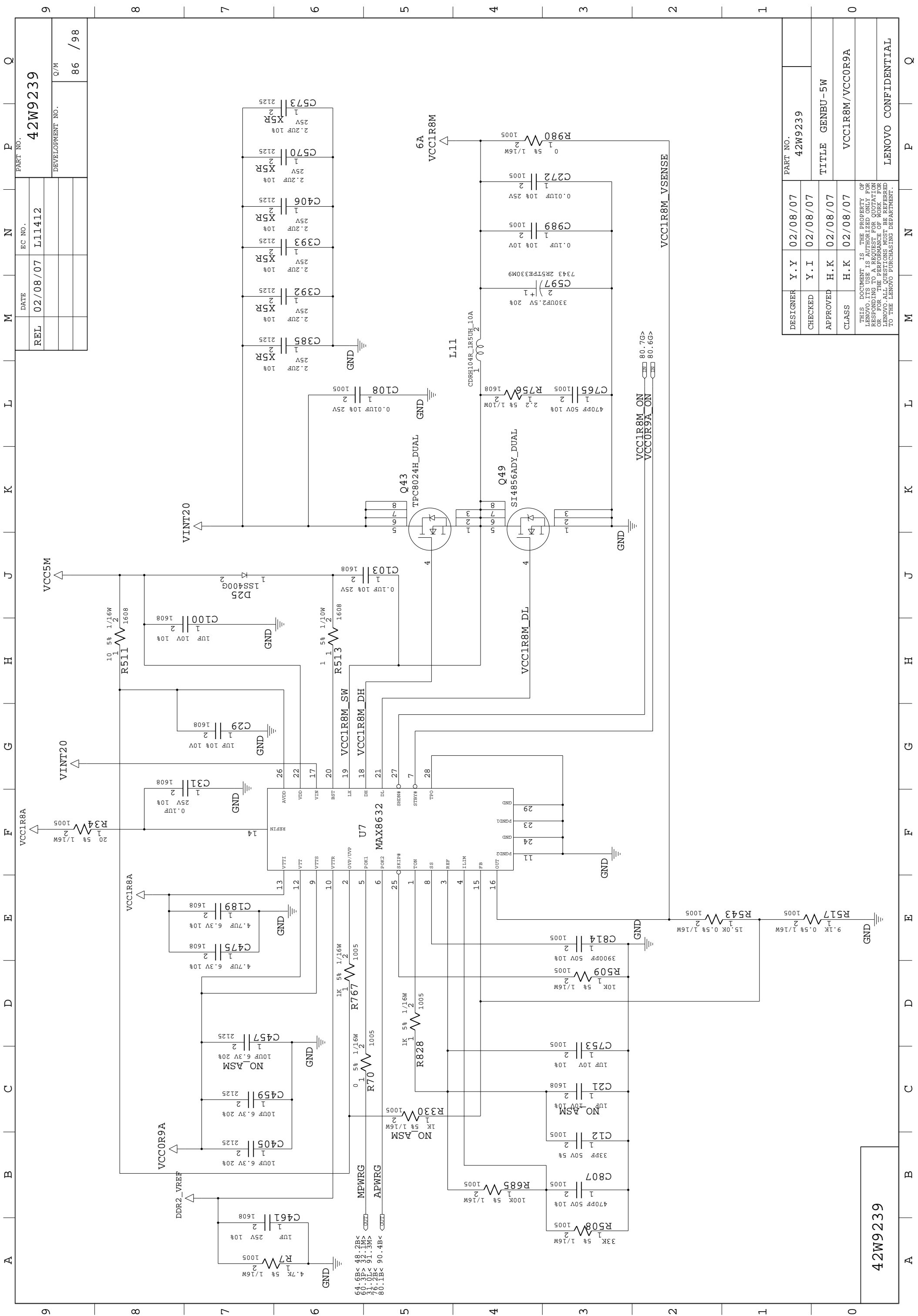
REL	02/08/07	L11412	42W9239
DATE	02/08/07	L11412	42W9239
EC NO.			
PART NO.			
DEVELOPMENT NO.			85 / 98



DESIGNER	Y. Y	02/08/07	42W9239
CHECKED	Y. I	02/08/07	
APPROVED	H. K	02/08/07	TITLE GENBU-5W
CLASS	H. K	02/08/07	DC-DC VCCGFXCORE (ADP3209)

THIS DOCUMENT IS THE PROPERTY OF LENOVO. IT IS LOANED TO YOU FOR YOUR USE ONLY. IT IS NOT TO BE REPRODUCED, COPIED, OR TRANSMITTED IN ANY FORM OR BY ANY MEANS, ELECTRONIC OR MECHANICAL, INCLUDING PHOTOCOPYING, RECORDING, OR BY ANY INFORMATION STORAGE AND RETRIEVAL SYSTEM. ALL RIGHTS ARE RESERVED. FOR MORE INFORMATION, CONTACT YOUR LENOVO ACCOUNT MANAGER OR THE LENOVO PURCHASING DEPARTMENT.

42W9239

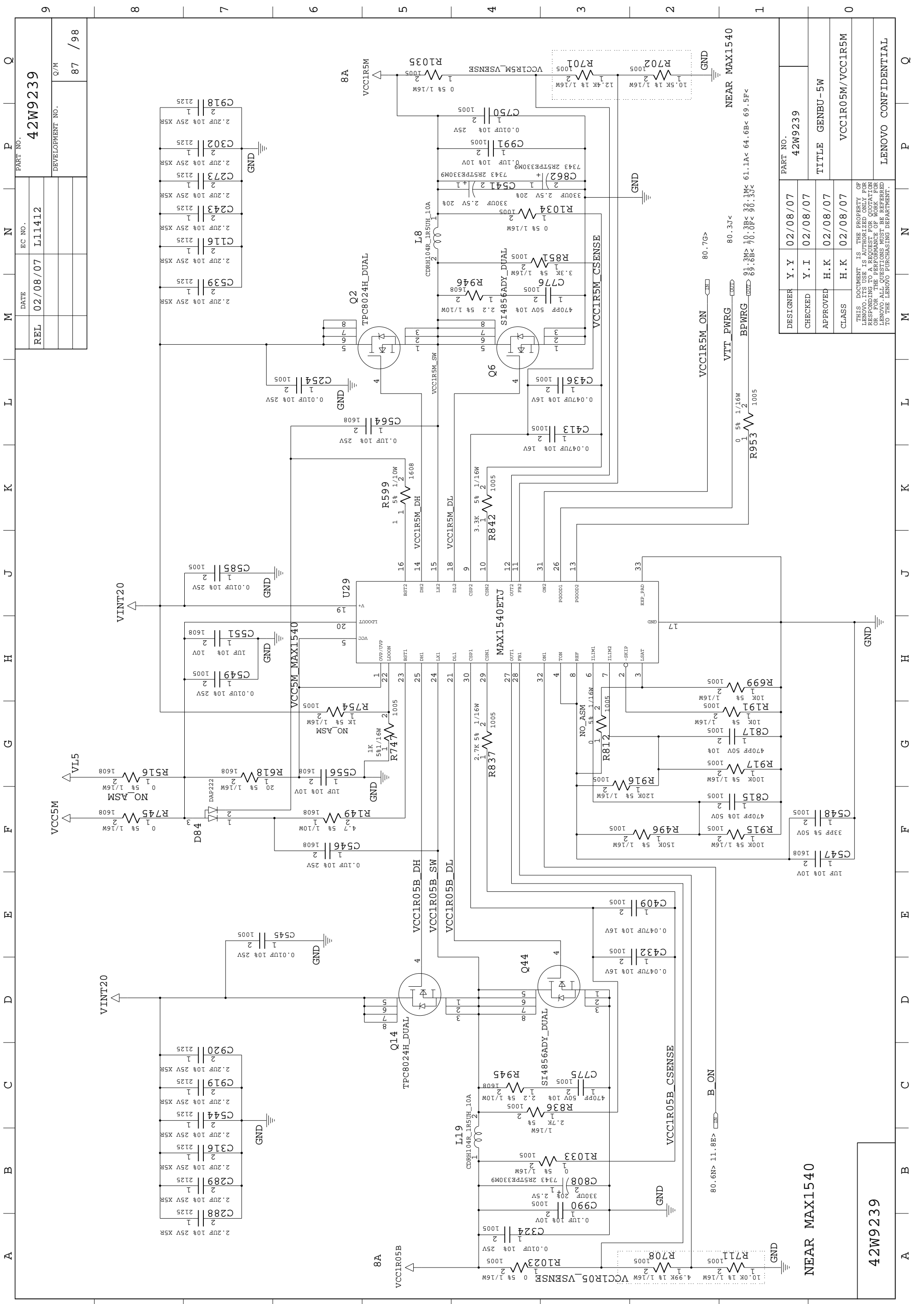


42W9239

DESIGNER	Y. Y	02/08/07	PART NO.	42W9239
CHECKED	Y. I	02/08/07	TITLE	GENBU-5W
APPROVED	H. K	02/08/07		
CLASS	H. K	02/08/07		VCC1R8M/VCC0R9A

THIS DOCUMENT IS THE PROPERTY OF  
LENOVO. IT IS LOANED TO YOU FOR USE  
ONLY. IT IS NOT TO BE REPRODUCED OR  
TRANSMITTED IN ANY FORM OR BY ANY  
MEANS, ELECTRONIC OR MECHANICAL,  
INCLUDING PHOTOCOPYING, RECORDING,  
OR FOR ANY INFORMATION STORAGE AND  
RETRIEVAL SYSTEM. ALL RIGHTS ARE  
RESERVED. FOR THE PERFORMANCE OF WORK  
OR FOR THE PERFORMANCE OF WORK FOR  
LENOVO. ALL QUESTIONS MUST BE REFERRED  
TO THE LENOVO PURCHASING DEPARTMENT.

REL	02/08/07	L11412	PART NO.	42W9239
			DEVELOPMENT NO.	86 / 98
			Q/M	



NEAR MAX1540

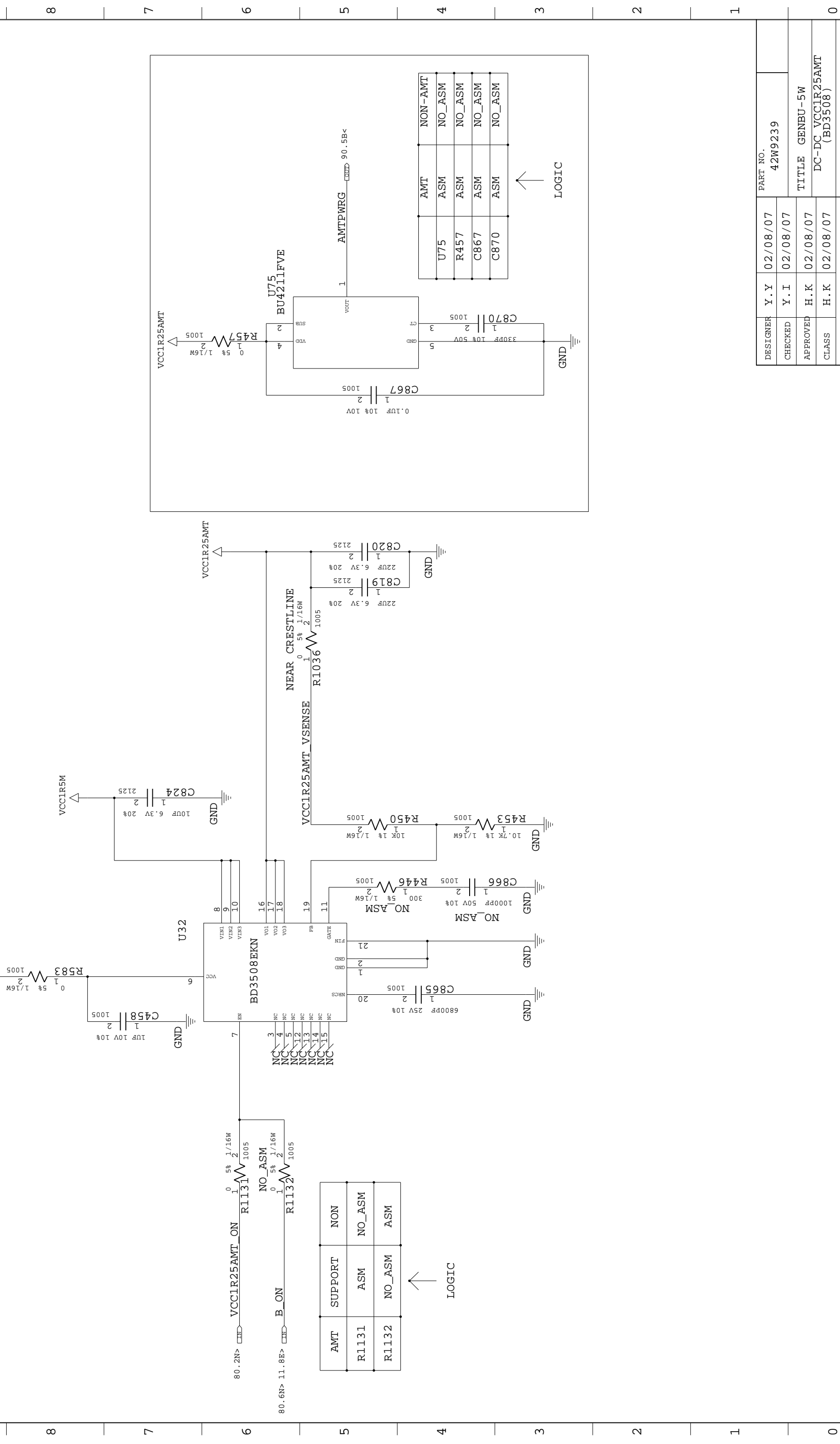
42W9239

DESIGNER	Y. Y	02/08/07
CHECKED	Y. I	02/08/07
APPROVED	H. K	02/08/07
CLASS	H. K	02/08/07
THIS DOCUMENT IS THE PROPERTY OF LENOVO. IT IS TO BE USED ONLY FOR THE PURPOSES SPECIFIED IN THE REQUEST FOR QUOTATION. IT IS NOT TO BE REPRODUCED, COPIED, OR FOR THE PERFORMANCE OF WORK. FOR LENOVO-ALL QUESTIONS MUST BE REFERRED TO THE LENOVO PURCHASING DEPARTMENT.		

PART NO.	42W9239
TITLE	GENBU-5W
VCC1R05M/VCC1R5M	

REL	02/08/07	L11412	42W9239
DATE			
EC NO.			
DEVELOPMENT NO.			
Q/M			87 / 98

REL	02/08/07	L11412	42W9239
DATE	02/08/07	L11412	42W9239
EC NO.			
PART NO.			
DEVELOPMENT NO.			
			88 / 98



AMT	SUPPORT	NON
R1131	ASM	NO_ASM
R1132	NO_ASM	ASM

← LOGIC

AMT	NON-AMT
U75	NO_ASM
R457	NO_ASM
C867	NO_ASM
C870	NO_ASM

← LOGIC

42W9239

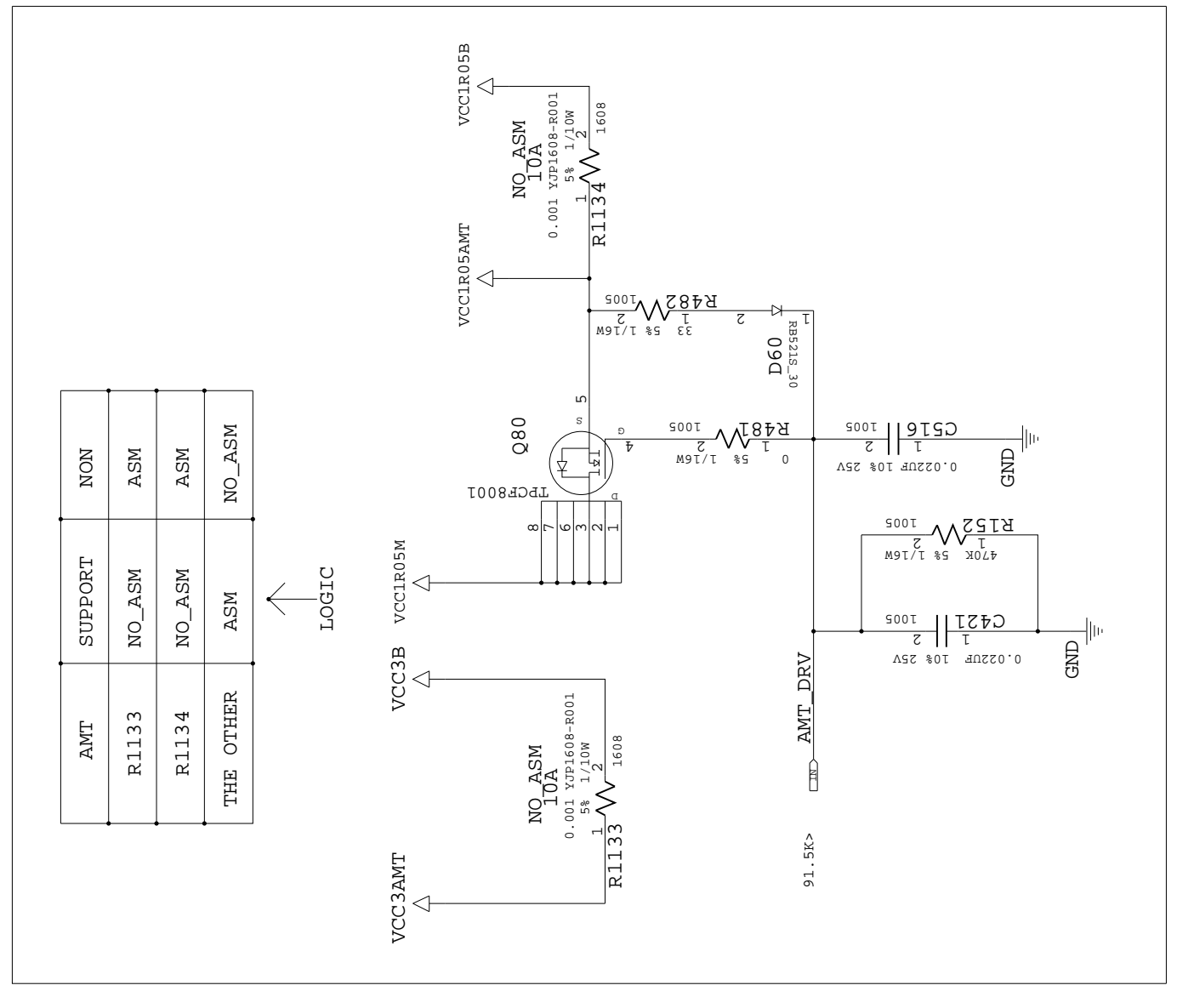
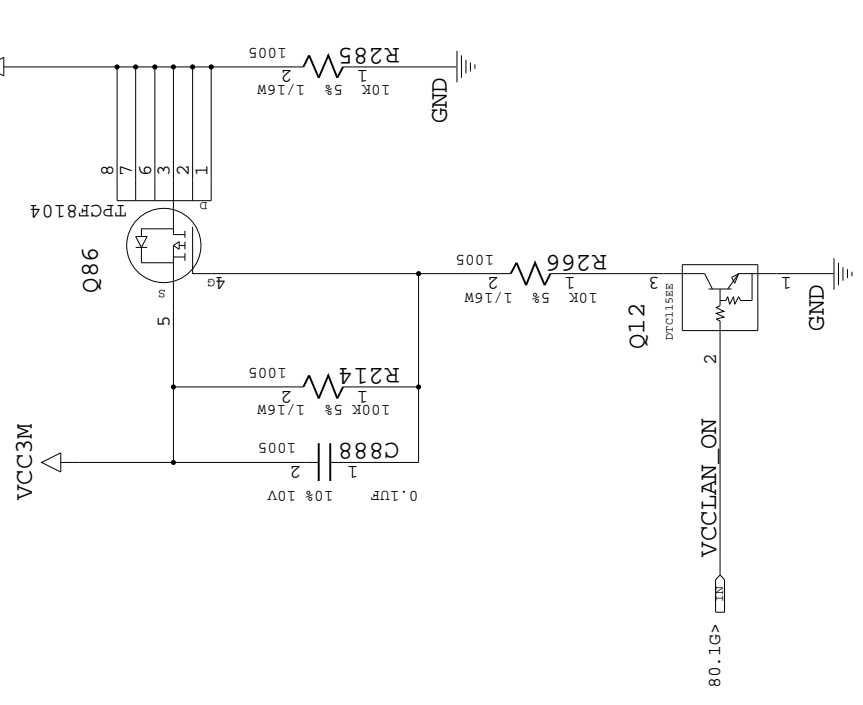
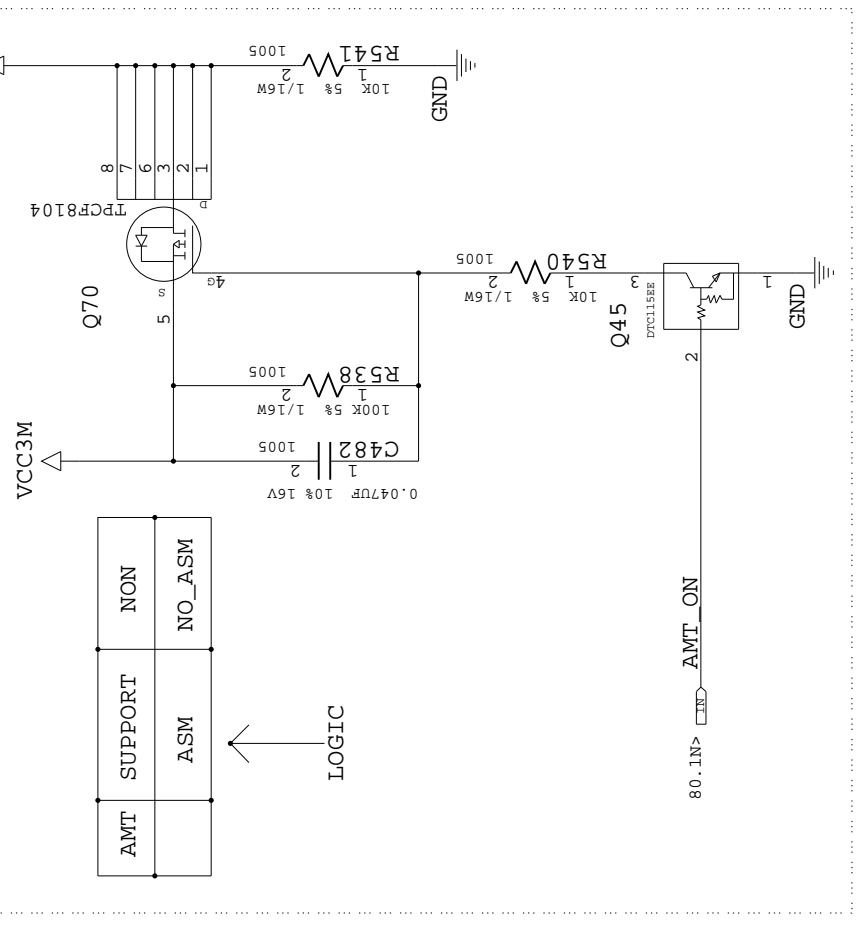
DESIGNER	Y. Y	02/08/07	PART NO.	42W9239
CHECKED	Y. I	02/08/07	TITLE	GENBU-5W
APPROVED	H. K	02/08/07	DC-DC	VCC1R25AMT (BD3508)
CLASS	H. K	02/08/07		

THIS DOCUMENT IS THE PROPERTY OF LENOVO. IT IS LOANED TO YOU FOR USE ONLY. IT IS NOT TO BE REPRODUCED OR TRANSMITTED IN ANY FORM OR BY ANY MEANS, ELECTRONIC OR MECHANICAL, INCLUDING PHOTOCOPYING, RECORDING, OR BY ANY INFORMATION STORAGE AND RETRIEVAL SYSTEM. ALL RIGHTS ARE RESERVED. FOR MORE INFORMATION, CONTACT THE LENOVO PURCHASING DEPARTMENT.



AMT	SUPPORT	NON
ASM	NO_ASM	NO_ASM

LOGIC



AMT	SUPPORT	NON
R1133	NO_ASM	ASM
R1134	NO_ASM	ASM
THE OTHER	ASM	NO_ASM

LOGIC

80.1G

42W9239

DESIGNER	Y. Y	02/08/07	PART NO.	42W9239
CHECKED	Y. I	02/08/07	TITLE	GENBU-5W
APPROVED	H. K	02/08/07	LOAD SW	AMT/LAN
CLASS	H. K	02/08/07		

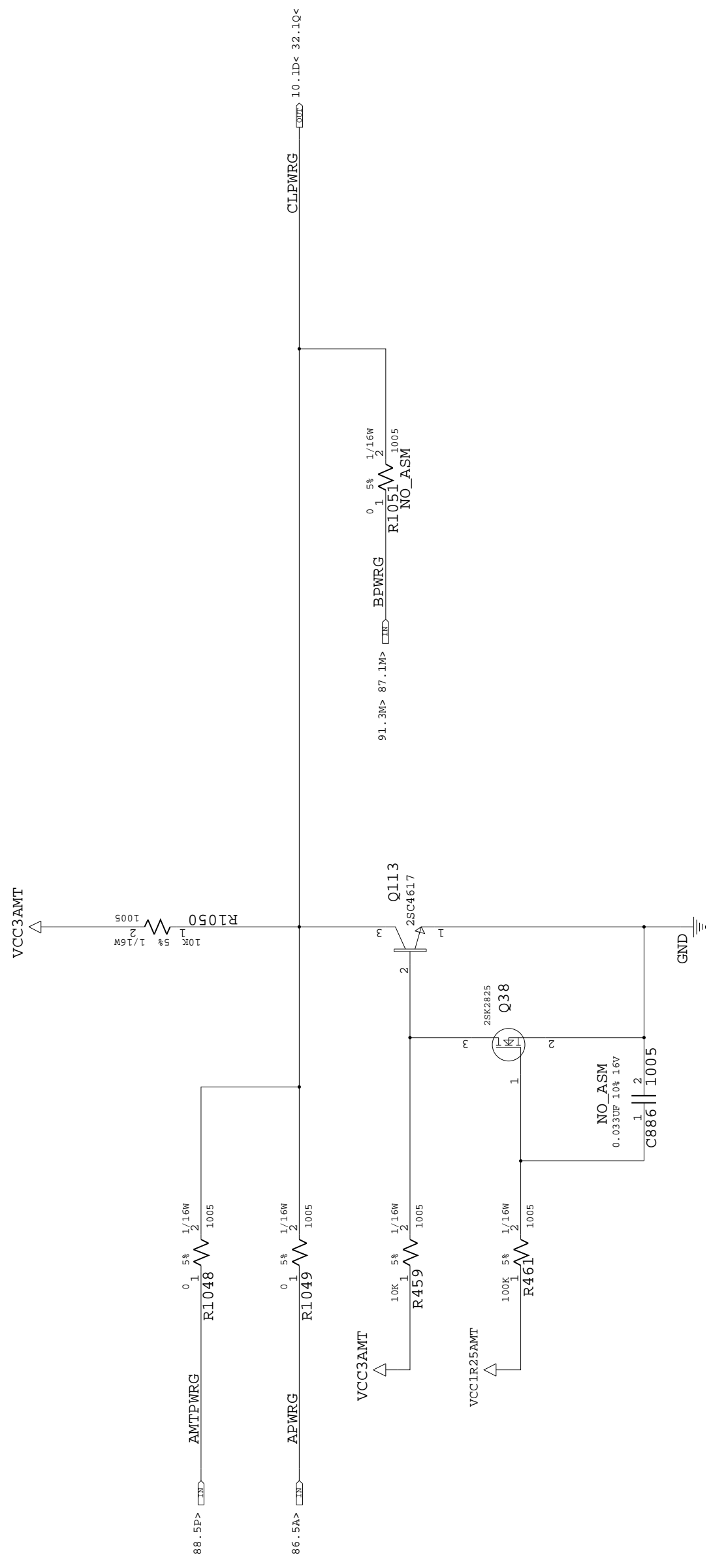
THIS DOCUMENT IS THE PROPERTY OF  
 LEANOVO. IT IS LOANED TO YOU FOR  
 YOUR USE ONLY. IT IS NOT TO BE  
 REPRODUCED OR TRANSMITTED IN ANY  
 FORM OR BY ANY MEANS, ELECTRONIC  
 OR MECHANICAL, INCLUDING PHOTOCOPYING,  
 RECORDING, OR BY ANY INFORMATION  
 STORAGE AND RETRIEVAL SYSTEM. ALL  
 RIGHTS ARE RESERVED. FOR MORE  
 INFORMATION, CONTACT YOUR LOCAL  
 LEANOVO OFFICE. ALL QUESTIONS MUST BE REFERRED  
 TO THE LEANOVO PURCHASING DEPARTMENT.

LENOVO CONFIDENTIAL

REL	DATE	EC NO.	PART NO.
	02/08/07	L11412	42W9239
			DEVELOPMENT NO.
			90 / 98

	AMT	NON-AMT
R1051	NO_ASM	ASM
OTHERS	ASM	NO_ASM

LOGIC

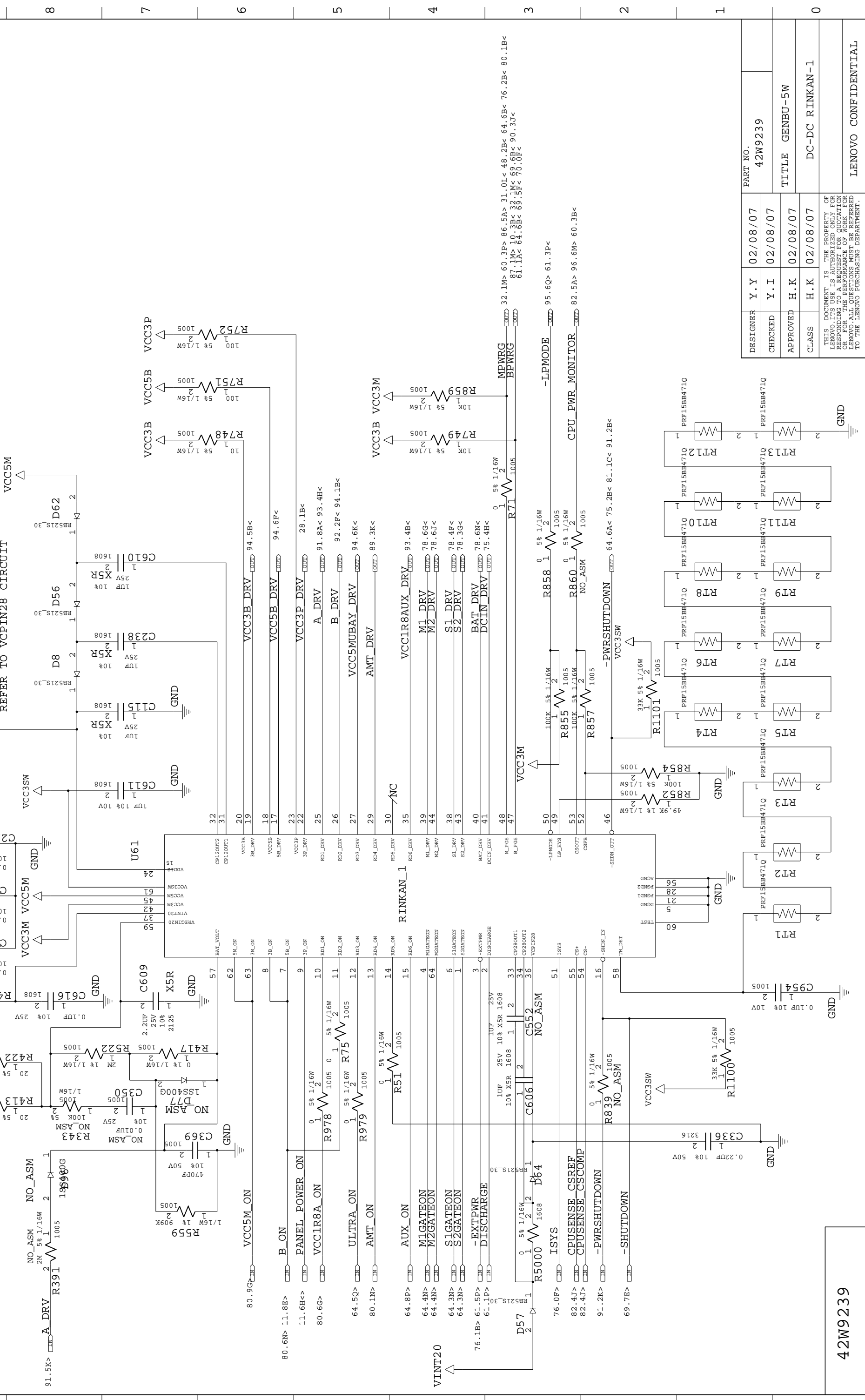


DESIGNER	Y. Y	02/08/07	PART NO.
CHECKED	Y. I	02/08/07	42W9239
APPROVED	H. K	02/08/07	TITLE GENBU-5W
CLASS	H. K	02/08/07	CLPWRG

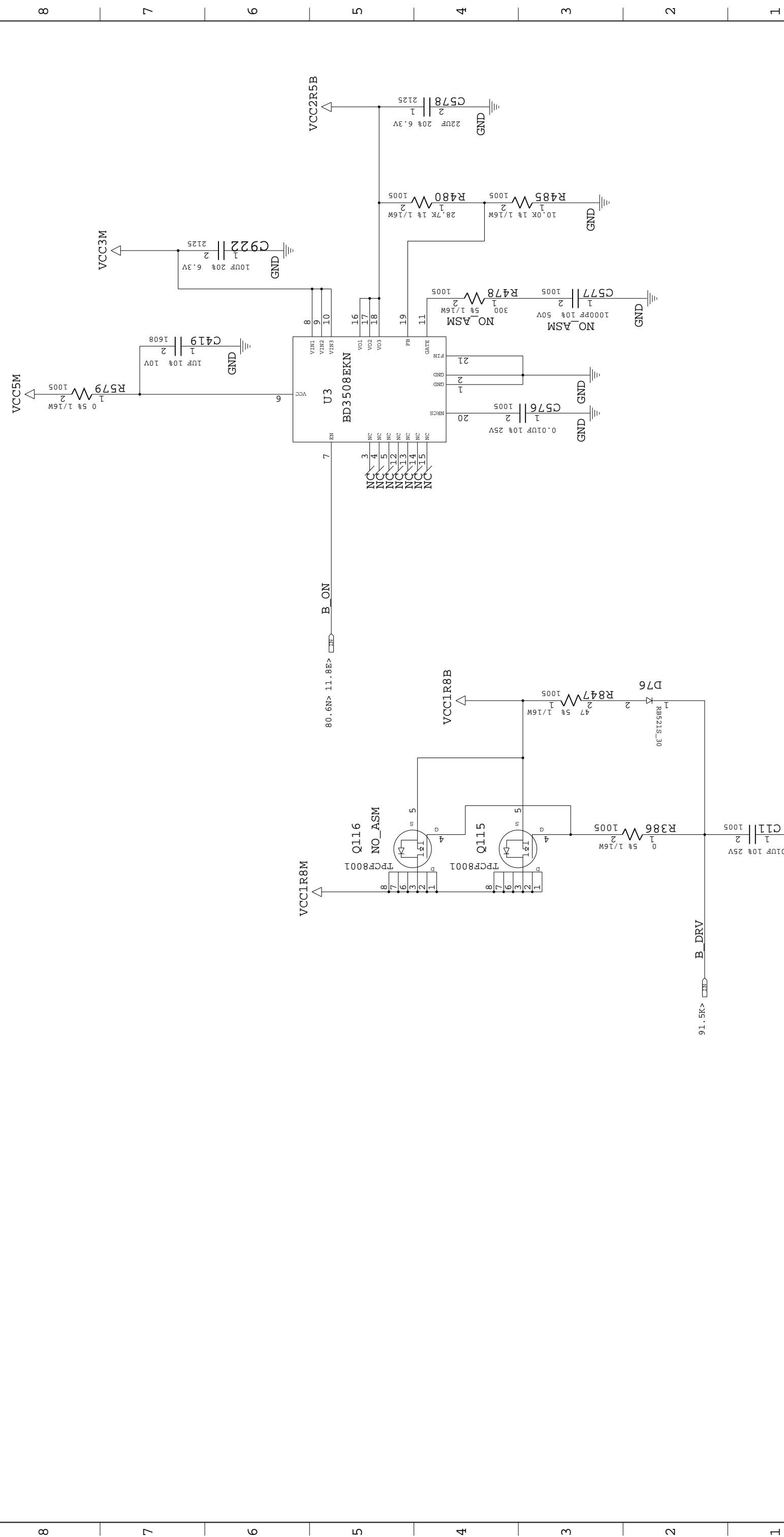
THIS DOCUMENT IS THE PROPERTY OF  
LENOVO. IT IS LOANED TO YOU FOR  
YOUR USE ONLY. IT IS NOT TO BE  
REPRODUCED OR TRANSMITTED IN ANY  
FORM OR BY ANY MEANS, ELECTRONIC  
OR MECHANICAL, INCLUDING PHOTOCOPYING,  
RECORDING, OR BY ANY INFORMATION  
SYSTEM. ALL QUESTIONS MUST BE REFERRED  
TO THE LENOVO PURCHASING DEPARTMENT.

42W9239

LENOVO CONFIDENTIAL



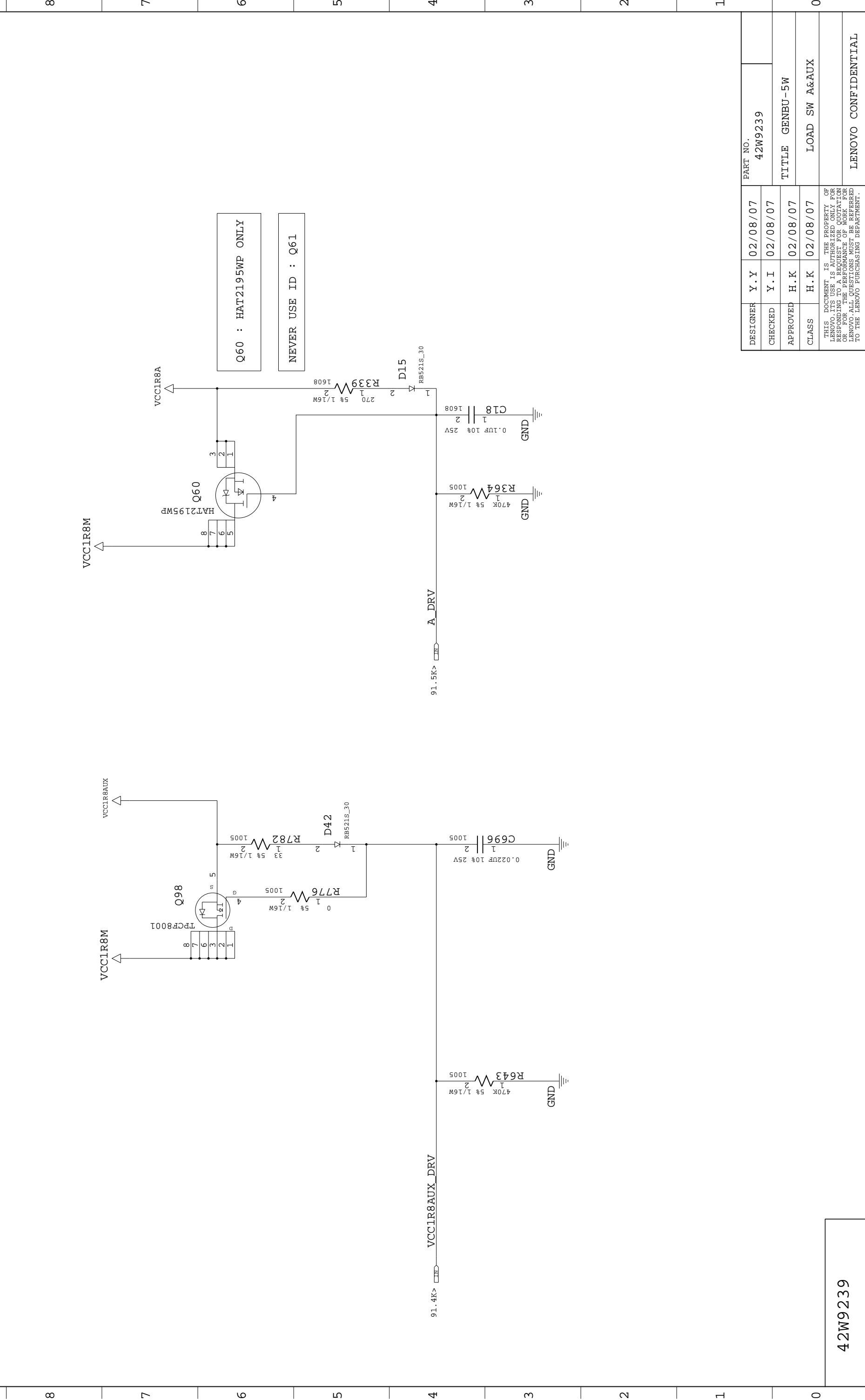
REL	02/08/07	L11412	42W9239
DATE	02/08/07	L11412	42W9239
EC NO.			
PART NO.			
DEVELOPMENT NO.			
Q/M			
			92 / 98



DESIGNER	Y. Y	02/08/07	PART NO.	42W9239
CHECKED	Y. I	02/08/07	TITLE	GENBU-5W
APPROVED	H. K	02/08/07	CLASS	LOAD SW VIDEO
THIS DOCUMENT IS THE PROPERTY OF				
LENOVO. IT IS TO BE USED ONLY FOR				
THE PURPOSES SPECIFIED IN THE				
REQUEST FOR QUOTATION FOR				
OR FOR THE PERFORMANCE OF WORK FOR				
LENOVO. ALL QUESTIONS MUST BE REFERRED				
TO THE LENOVO PURCHASING DEPARTMENT.				

42W9239

REL	02/08/07	EC NO.	L11412	PART NO.	42W9239
				DEVELOPMENT NO.	93 / 98

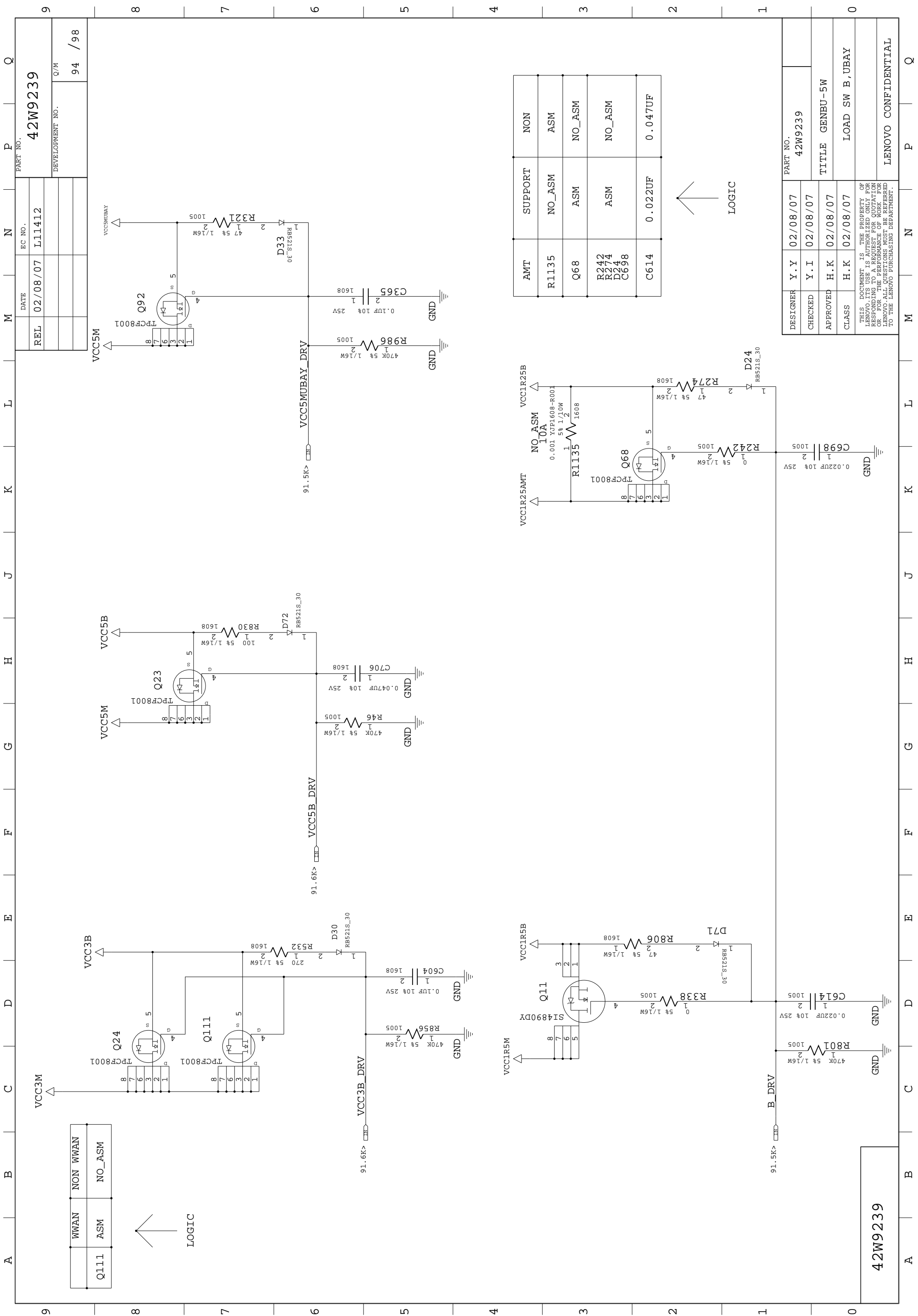


42W9239

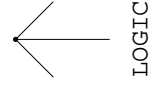
DESIGNER	Y. Y	02/08/07	PART NO.	42W9239
CHECKED	Y. I	02/08/07	TITLE	GENBU-5W
APPROVED	H. K	02/08/07	LOAD SW	A&AUX
CLASS	H. K	02/08/07	THIS DOCUMENT IS THE PROPERTY OF LENOVO. IT IS LOANED TO YOU FOR USE ONLY. RESPONDING TO A REQUEST FOR QUOTATION OR FOR THE PERFORMANCE OF WORK FOR LENOVO. ALL QUESTIONS MUST BE REFERRED TO THE LENOVO PURCHASING DEPARTMENT.	

A B C D E F G H J K L M N P Q

9 8 7 6 5 4 3 2 1 0



AMT	SUPPORT	NON
R1135	NO_ASM	ASM
Q68	ASM	NO_ASM
R242 R274 D24 C698	ASM	NO_ASM
C614	0.022UF	0.047UF



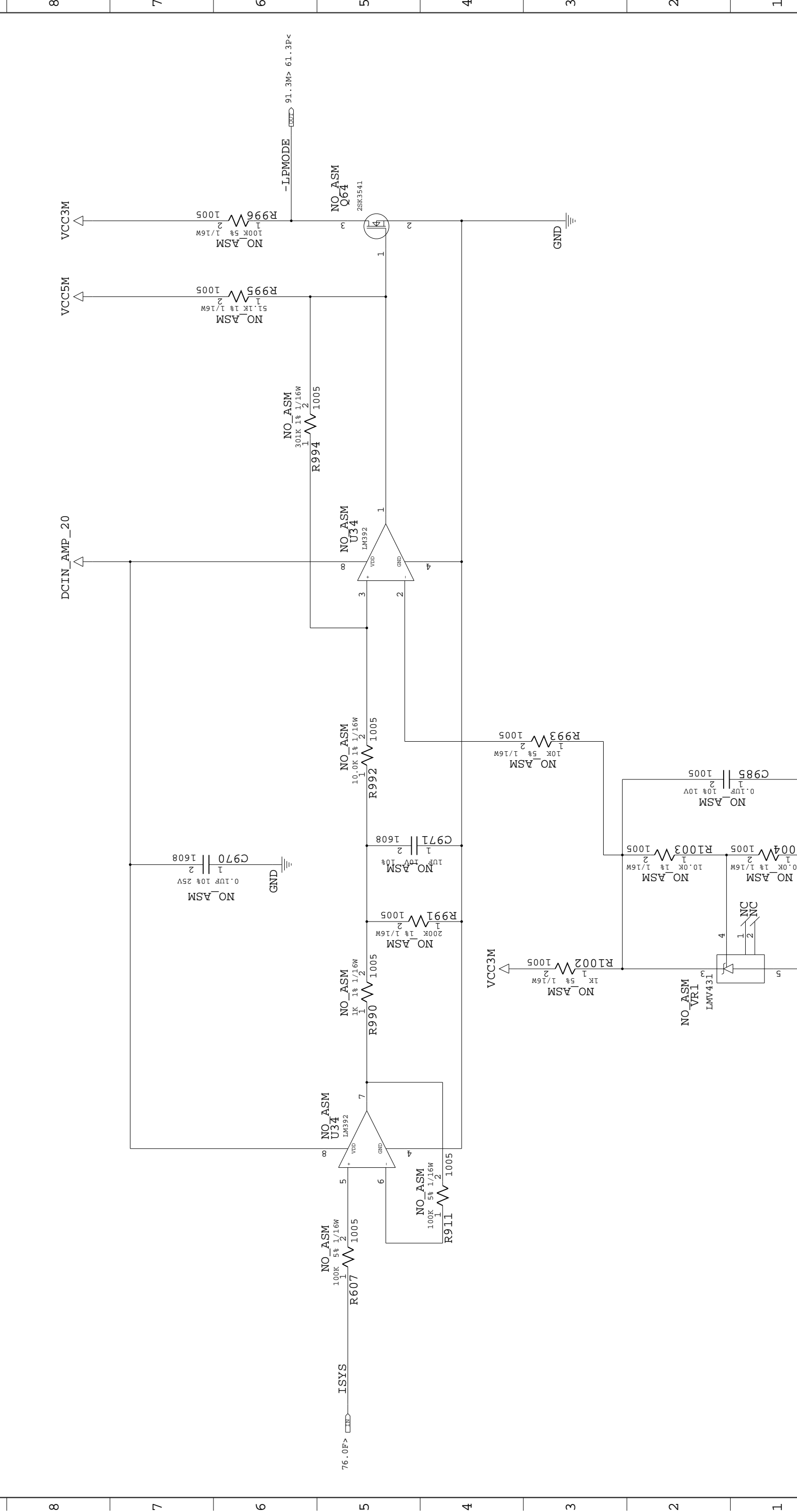
DESIGNER	Y. Y	02/08/07	PART NO.	42W9239
CHECKED	Y. I	02/08/07	TITLE	GENBU-5W
APPROVED	H. K	02/08/07	LOAD SW	B, UBAY
CLASS	H. K	02/08/07	THIS DOCUMENT IS THE PROPERTY OF LENOVO. IT IS LOANED TO YOU FOR USE ONLY. RESPONDING TO A REQUEST FOR QUOTATION OR FOR THE PERFORMANCE OF WORK FOR LENOVO. ALL QUESTIONS MUST BE REFERRED TO THE LENOVO PURCHASING DEPARTMENT.	

42W9239

9  
8  
7  
6  
5  
4  
3  
2  
1  
0

A B C D E F G H J K L M N P Q

REL	02/08/07	DATE	EC NO.	L11412
			PART NO.	42W9239
			DEVELOPMENT NO.	95 / 98

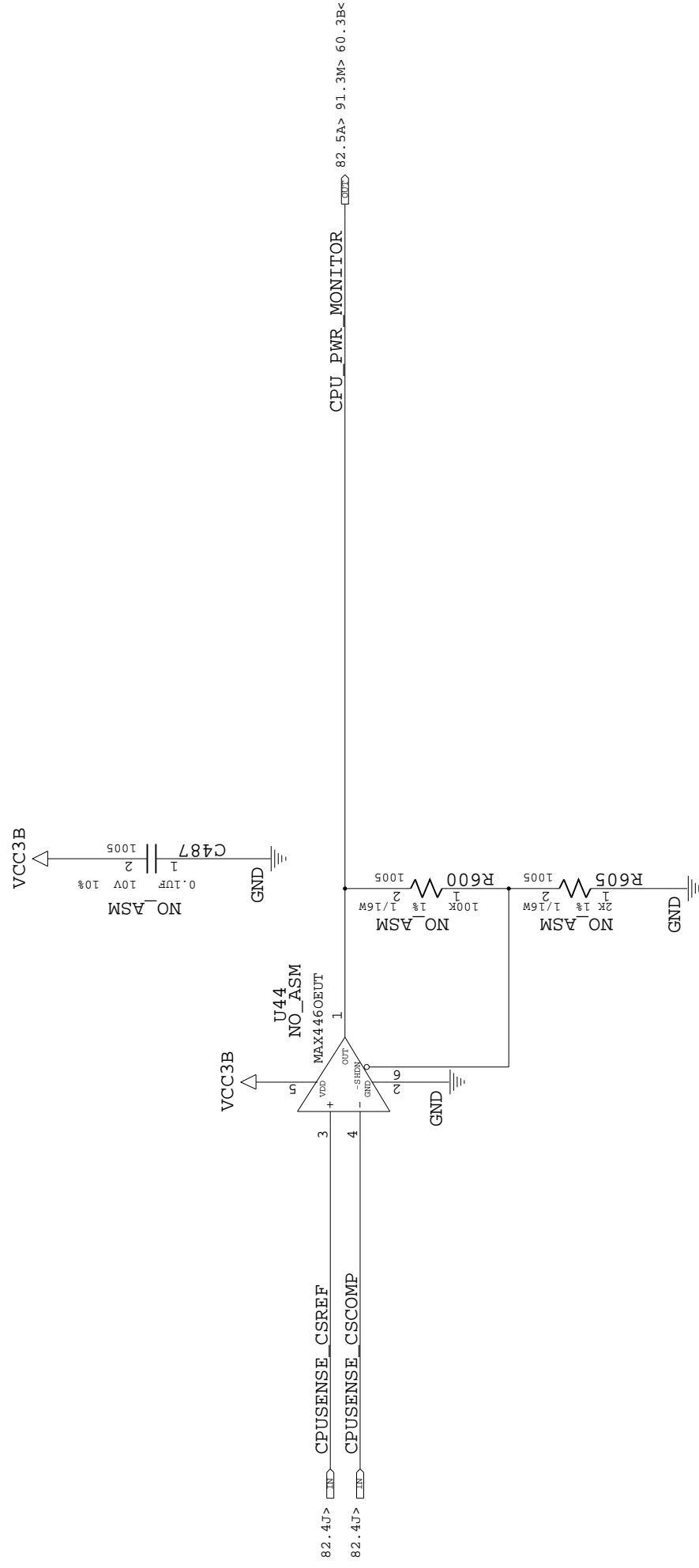


DESIGNER	Y. Y	02/08/07	PART NO.	42W9239
CHECKED	Y. I	02/08/07	TITLE	GENBU-5W
APPROVED	H. K	02/08/07	CLASS	MAX POWER CTRL
<p>THIS DOCUMENT IS THE PROPERTY OF LENOVO. IT IS LOANED TO YOU FOR USE ONLY. IT IS NOT TO BE REPRODUCED OR TRANSMITTED IN ANY FORM OR BY ANY MEANS, ELECTRONIC OR MECHANICAL, INCLUDING PHOTOCOPYING, RECORDING, OR BY ANY INFORMATION STORAGE AND RETRIEVAL SYSTEM. ALL RIGHTS ARE RESERVED. FOR MORE INFORMATION, CONTACT THE LENOVO PURCHASING DEPARTMENT.</p>				

42W9239

A B C D E F G H J K L M N P Q

REL	02/08/07	L11412	42W9239
			DEVELOPMENT NO.
			96 / 98

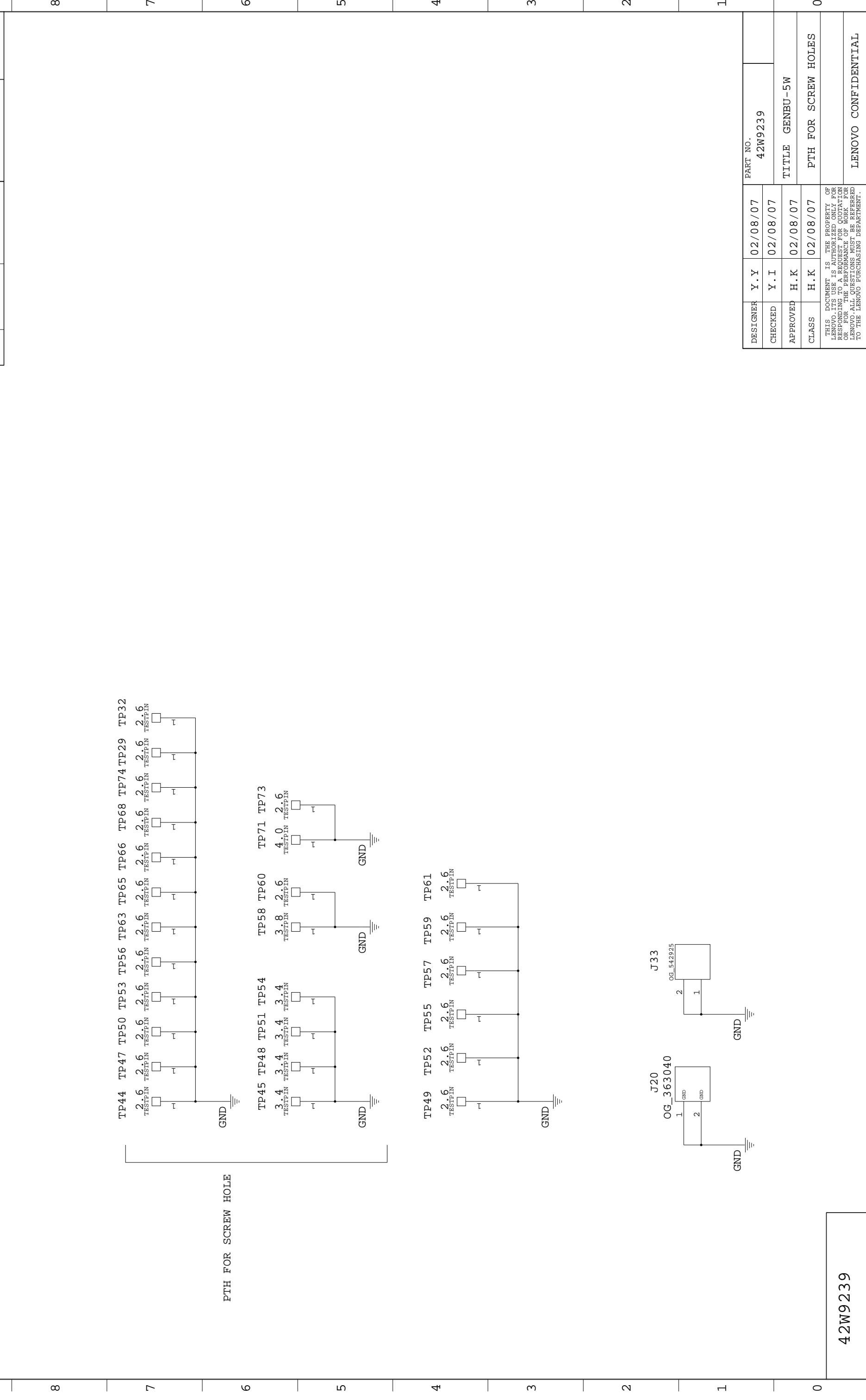


DESIGNER	Y. Y	02/08/07	PART NO.	42W9239
CHECKED	Y. I	02/08/07	TITLE	GENBU-5W
APPROVED	H. K	02/08/07	CLASS	POWER MONITOR
<p>THIS DOCUMENT IS THE PROPERTY OF LENOVO. IT IS LOANED TO YOU FOR USE ONLY. IT IS NOT TO BE REPRODUCED OR TRANSMITTED IN ANY FORM OR BY ANY MEANS, ELECTRONIC OR MECHANICAL, INCLUDING PHOTOCOPYING, RECORDING, OR BY ANY INFORMATION STORAGE AND RETRIEVAL SYSTEM, WITHOUT PERMISSION IN WRITING FROM LENOVO. ALL QUESTIONS MUST BE REFERRED TO THE LENOVO PURCHASING DEPARTMENT.</p>				

42W9239



REL	DATE 02/08/07	EC NO. L11412	PART NO. 42W9239
			DEVELOPMENT NO. 97 / 98



DESIGNER	Y. Y	02/08/07	PART NO.	42W9239
CHECKED	Y. I	02/08/07	TITLE	GENBU-5W
APPROVED	H. K	02/08/07		
CLASS	H. K	02/08/07		

THIS DOCUMENT IS THE PROPERTY OF LENOVO. IT IS LOANED TO YOU FOR YOUR USE ONLY. IT IS NOT TO BE REPRODUCED OR TRANSMITTED IN ANY FORM OR BY ANY MEANS, ELECTRONIC OR MECHANICAL, INCLUDING PHOTOCOPYING, RECORDING, OR BY ANY INFORMATION STORAGE AND RETRIEVAL SYSTEM, WITHOUT PERMISSION IN WRITING FROM LENOVO. ALL QUESTIONS MUST BE REFERRED TO THE LENOVO PURCHASING DEPARTMENT.

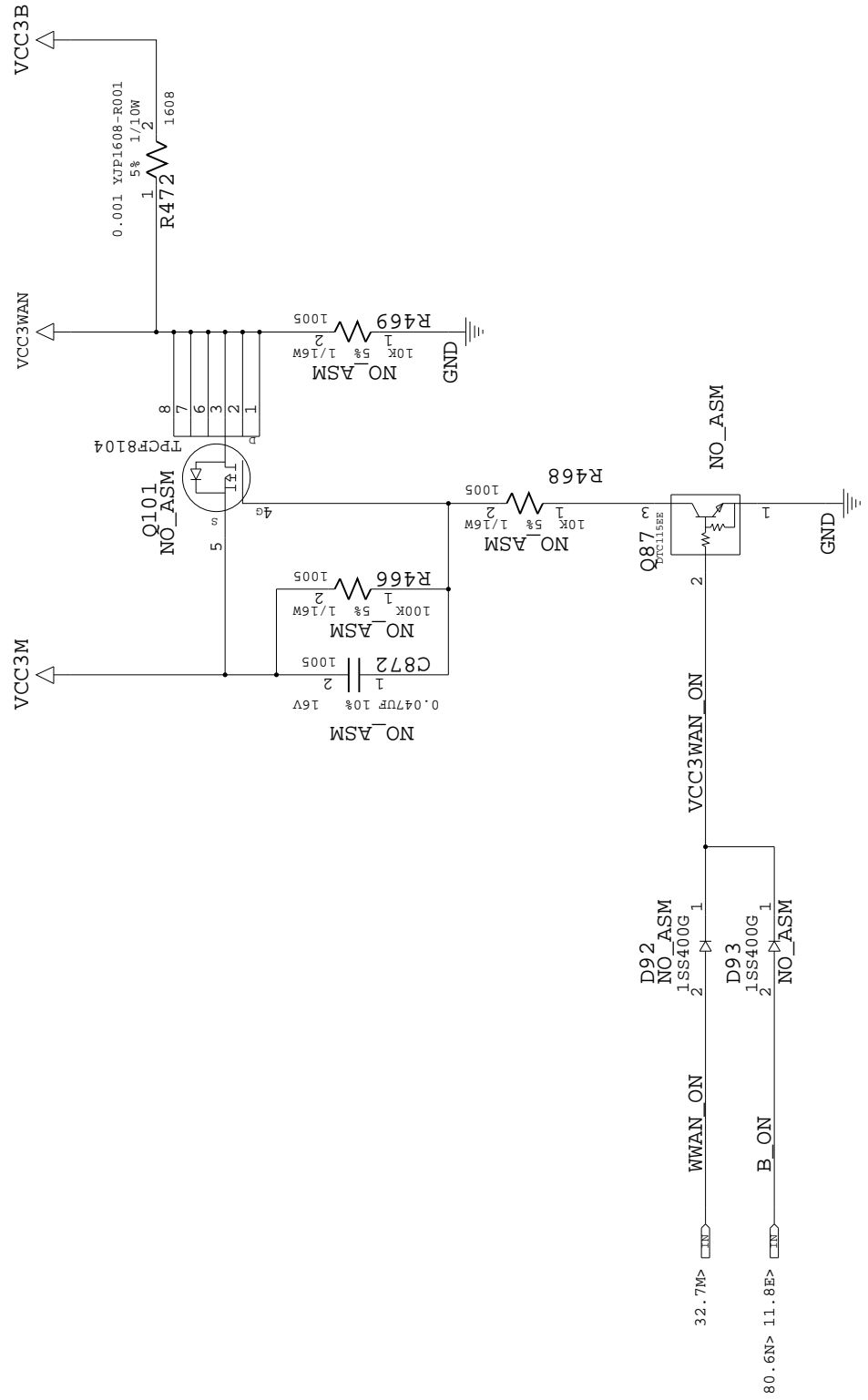
42W9239

A B C D E F G H J K L M N P Q  
 9 8 7 6 5 4 3 2 1 0

REL	DATE	EC NO.	PART NO.
	02/08/07	L11412	42W9239
			DEVELOPMENT NO.
			98 / 98

9 8 7 6 5 4 3 2 1

A B C D E F G H J K L M N P Q



DESIGNER	Y. Y	02/08/07	PART NO.
CHECKED	Y. I	02/08/07	42W9239
APPROVED	H. K	02/08/07	TITLE
CLASS	H. K	02/08/07	LOAD SW VCC3KDDI

THIS DOCUMENT IS THE PROPERTY OF LENOVO. IT IS LOANED TO YOU FOR YOUR USE ONLY. IT IS NOT TO BE REPRODUCED, COPIED, OR TRANSMITTED IN ANY FORM OR BY ANY MEANS, ELECTRONIC OR MECHANICAL, INCLUDING PHOTOCOPYING, RECORDING, OR BY ANY INFORMATION STORAGE AND RETRIEVAL SYSTEM. ALL RIGHTS ARE RESERVED. FOR MORE INFORMATION, CONTACT YOUR LENOVO ACCOUNT MANAGER OR THE LENOVO PURCHASING DEPARTMENT.

42W9239

9 8 7 6 5 4 3 2 1

A B C D E F G H J K L M N P Q