

P264: MXM-II, G3, 256MB, 128-bit, 4/8Mx32DDR LVDS, DVI_A, DVI_B, TV_OUT, VGA

HISTORY:

A00: INITIAL VERSION -
600-10264-00xx-000

3/18/04 - Stated P264 from P263 design

REV	VARIANT	NVPN	ASSEMBLY
B	BASE	600-10264-xxxx-vvv	BASE LEVEL GENERIC SCHEMATIC ONLY, COMMON & NO_STUFF ASSEMBLY NOTES
1	SKU000	600-10264-0000-000	600-10264-0000-000 (128bit) DDR1 8Mx32 144BGA, LVDS + DVI_A/DVI_B + TV_OUT +
2	SKU001	600-10264-0001-000	600-10264-0001-000 (128bit) DDR1 8Mx32 144BGA, LVDS + DVI_A/DVI_B + TV_OUT +
3	SKU002	600-10264-0002-000	600-10264-0002-000 (128bit) DDR1 4Mx32 144BGA, LVDS + DVI_A/DVI_B + TV_OUT +
4	<UNDEFINED>	<UNDEFINED>	<UNDEFINED>
5	<UNDEFINED>	<UNDEFINED>	<UNDEFINED>
6	<UNDEFINED>	<UNDEFINED>	<UNDEFINED>
7	<UNDEFINED>	<UNDEFINED>	<UNDEFINED>
8	<UNDEFINED>	<UNDEFINED>	<UNDEFINED>
9	<UNDEFINED>	<UNDEFINED>	<UNDEFINED>
10	<UNDEFINED>	<UNDEFINED>	<UNDEFINED>
11	<UNDEFINED>	<UNDEFINED>	<UNDEFINED>
12	<UNDEFINED>	<UNDEFINED>	<UNDEFINED>
13	<UNDEFINED>	<UNDEFINED>	<UNDEFINED>
14	<UNDEFINED>	<UNDEFINED>	<UNDEFINED>
15	<UNDEFINED>	<UNDEFINED>	<UNDEFINED>


ASSEMBLY: BASE LEVEL GENERIC SCHEMATIC ONLY, COMMON & NO_STUFF ASSEMBLY NOTES
PAGE: 2000 (2000 of 2000) details

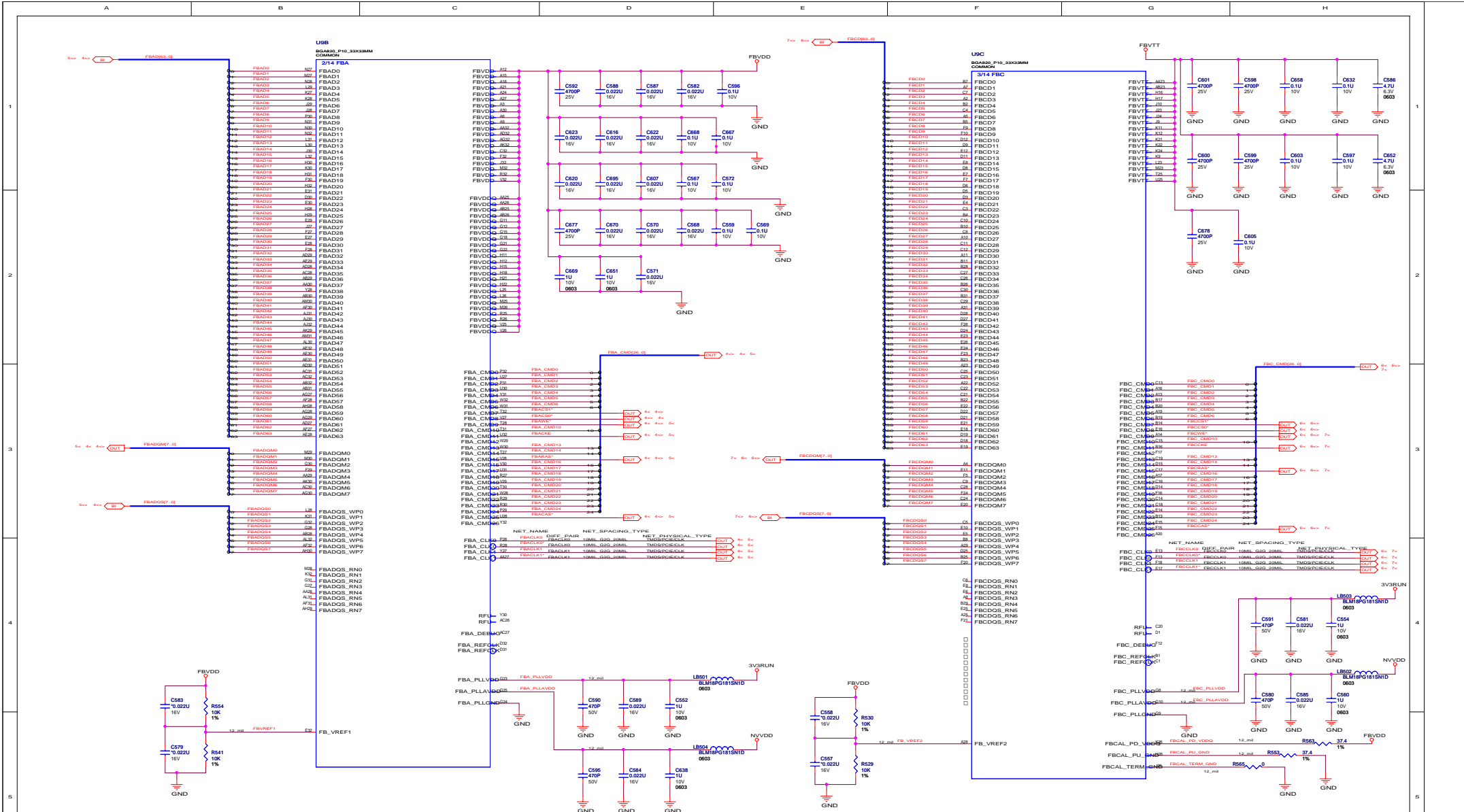
ALL NVIDIA DESIGN SPECIFICATIONS, REFERENCE SPECIFICATIONS, REFERENCE BOARDS, FILES, DRAWINGS, DIAGNOSTICS, LISTS AND OTHER DOCUMENTS OR INFORMATION (TOGETHER AND SEPARATELY, "MATERIALS") ARE BEING PROVIDED AS INFORMATION ONLY. NVIDIA MAKES NO WARRANTIES, EXPRESSED, IMPLIED, STATUTORY OR OTHERWISE WITH RESPECT TO THE MATERIALS OR INFORMATION. THE WARRANTIES OF DESIGN, OF NONINFRINGEMENT, MERCHANTABILITY OR FITNESS FOR A PARTICULAR PURPOSE, OR ARISING FROM A COURSE OF DEALING, TRADE USAGE, TRADE PRACTICE OR INDUSTRY STANDARDS.

NVIDIA CORPORATION
EXPRESSWAY
SANTA CLARA, CA 95050.
95958

NV_PN 600-10264-xxxx-vvv

ID	PAGE
NAME <XR_PAGE_TITLE>	DATE 7-MAY-2004



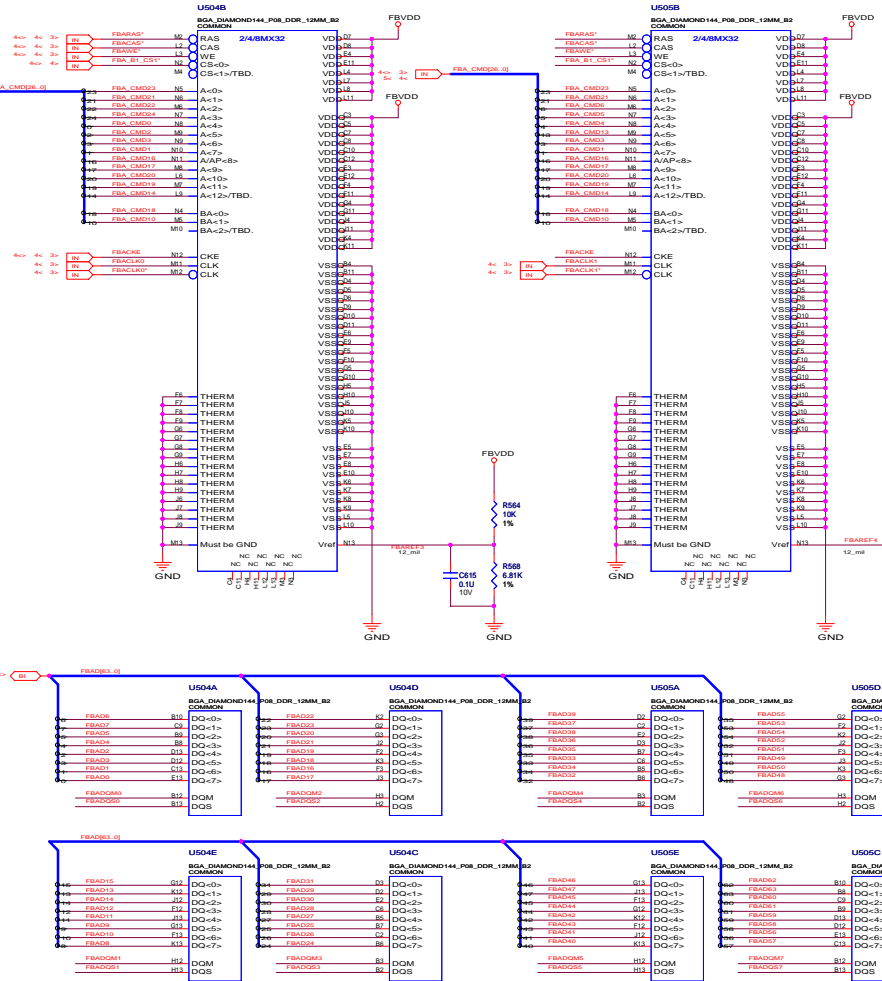


EXPRESSWAY
 SANTA CLARA, CA 95050
 48A
 NV_PN 600-10264-XXXX-VVV
 PAGE 20 OF 20
 DATE 7-MAY-2024

MEMORY 128/256MB, 8Mx32DDR, PARTITION A, BANK 1

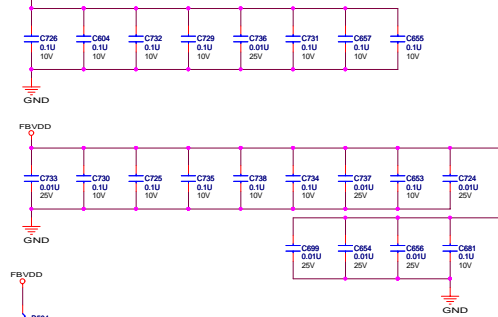
PLACE ALL DISCRETE COMPONENTS AS NEAR AS POSSIBLE TO MEMORY

need to hook up bank 1 signal



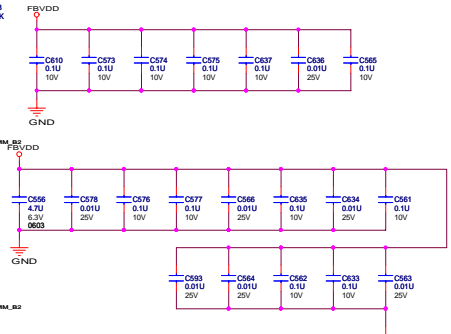
Decoupling for left MEMORY

Place around the MEM



Decoupling for right MEMORY

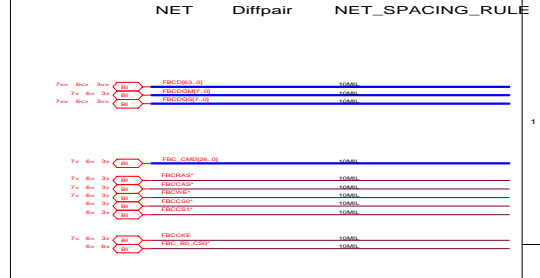
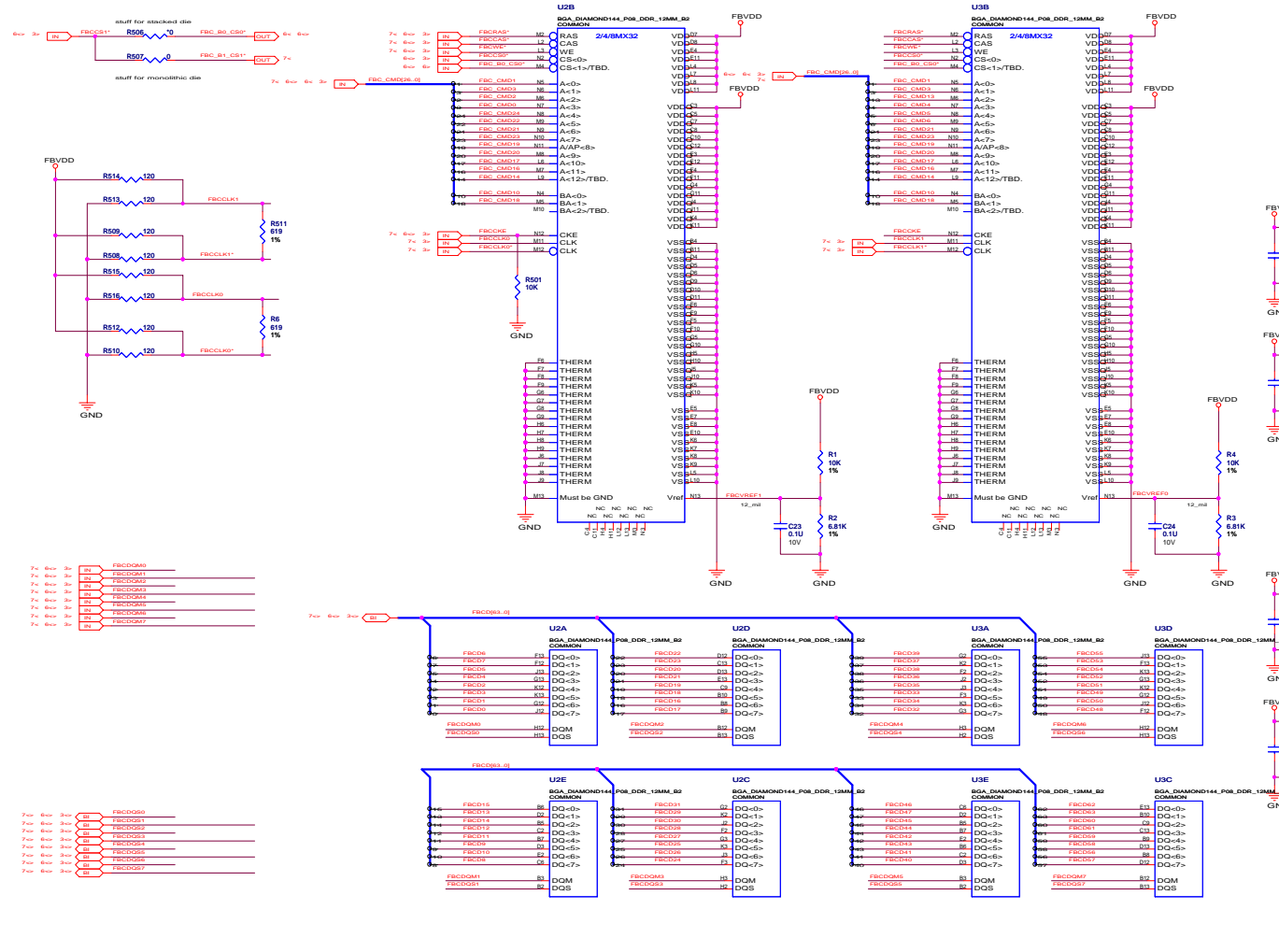
Place around the MEM



ALL NVIDIA DESIGN SPECIFICATIONS, REFERENCE SPECIFICATIONS, REFERENCE BOARDS, FILES, DRAWINGS, DIAGNOSTICS, LISTS AND OTHER DOCUMENTS OR INFORMATION (TOGETHER AND SEPARATELY, "MATERIALS") ARE PROVIDED UNDER AN EXPRESS OR IMPLIED WARRANTY THAT NVIDIA MAKES NO WARRANTIES, EXPRESSED, IMPLIED, STATUTORY OR OTHERWISE WITH RESPECT TO THE MATERIALS. TRADE PRACTICES OR INDUSTRY STANDARDS.

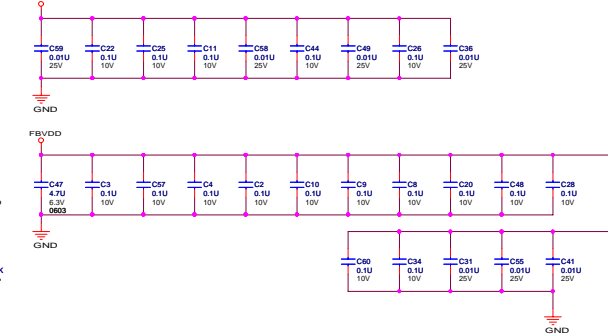
MEMORY 128/256MB, 8Mx32DDR, PARTITION C, BANK 0

PLACE ALL DISCRETE COMPONENTS AS NEAR AS POSSIBLE TO MEMORY



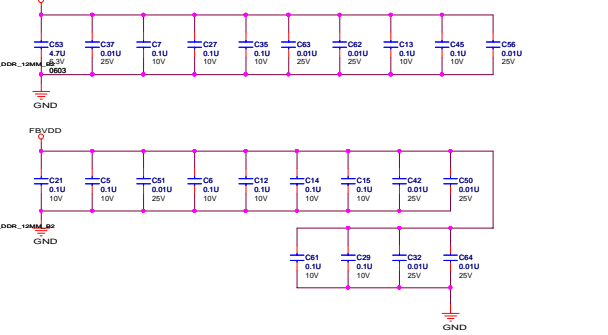
Decoupling for left MEMORY

Place around the MEM



Decoupling for left MEMORY

Place around the MEM



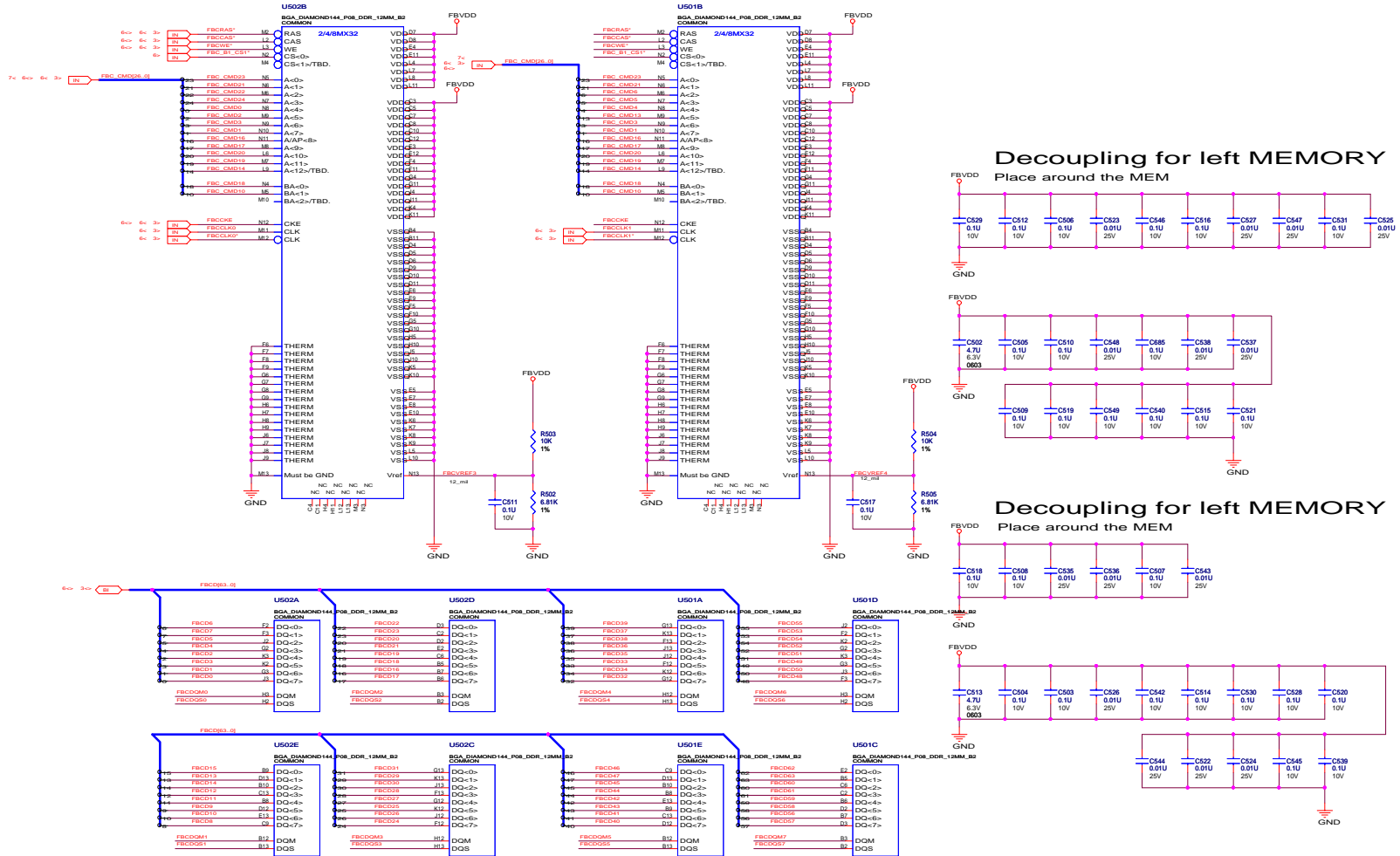
ALL NVIDIA DESIGN SPECIFICATIONS, REFERENCE SPECIFICATIONS, REFERENCE BOARDS, FILES, DRAWINGS, DIAGNOSTICS, LISTS AND OTHER DOCUMENTS OR INFORMATION (TOGETHER AND SEPARATELY, "MATERIALS") ARE BEING PROVIDED AND INFORMATION CONTAINED HEREIN OR DEVIATIONS OF INDUSTRY STANDARDS AND SPECIFICATIONS. NVIDIA MAKES NO WARRANTIES, EXPRESSED, IMPLIED, STATUTORY OR OTHERWISE WITH RESPECT TO THE MATERIALS OR THE INFORMATION PROVIDED HEREIN. INFORMATION, THE WARRANTY OF DESIGN, OF NON-INFRINGEMENT, MERCHANTABILITY OR FITNESS FOR A PARTICULAR PURPOSE, OR ARISING FROM A COURSE OF DEALING, TRADE USAGE, TRADE PRACTICE, OR INDUSTRY STANDARDS.

NVIDIA CORPORATION
 EXPRESSWAY
 SANTA CLARA, CA 95050
 USA
 NV_PN 600-10264-XXXX-VVV

ASSEMBLY	BASE LEVEL GENERIC SCHEMATIC ONLY. COMMON & NO_STUFF ASSEMBLY NOTES
PAGE	2/20 (100% detail)
REV	
ID	
NAME	<CON_PAGE_NUM>-OF
DATE	7-MAY-2004
PAGE	
DATE	
PAGE	
DATE	

MEMORY 128/256MB, 8Mx32DDR, PARTITION C, BANK 1

PLACE ALL DISCRETE COMPONENTS AS NEAR AS POSSIBLE TO MEMORY

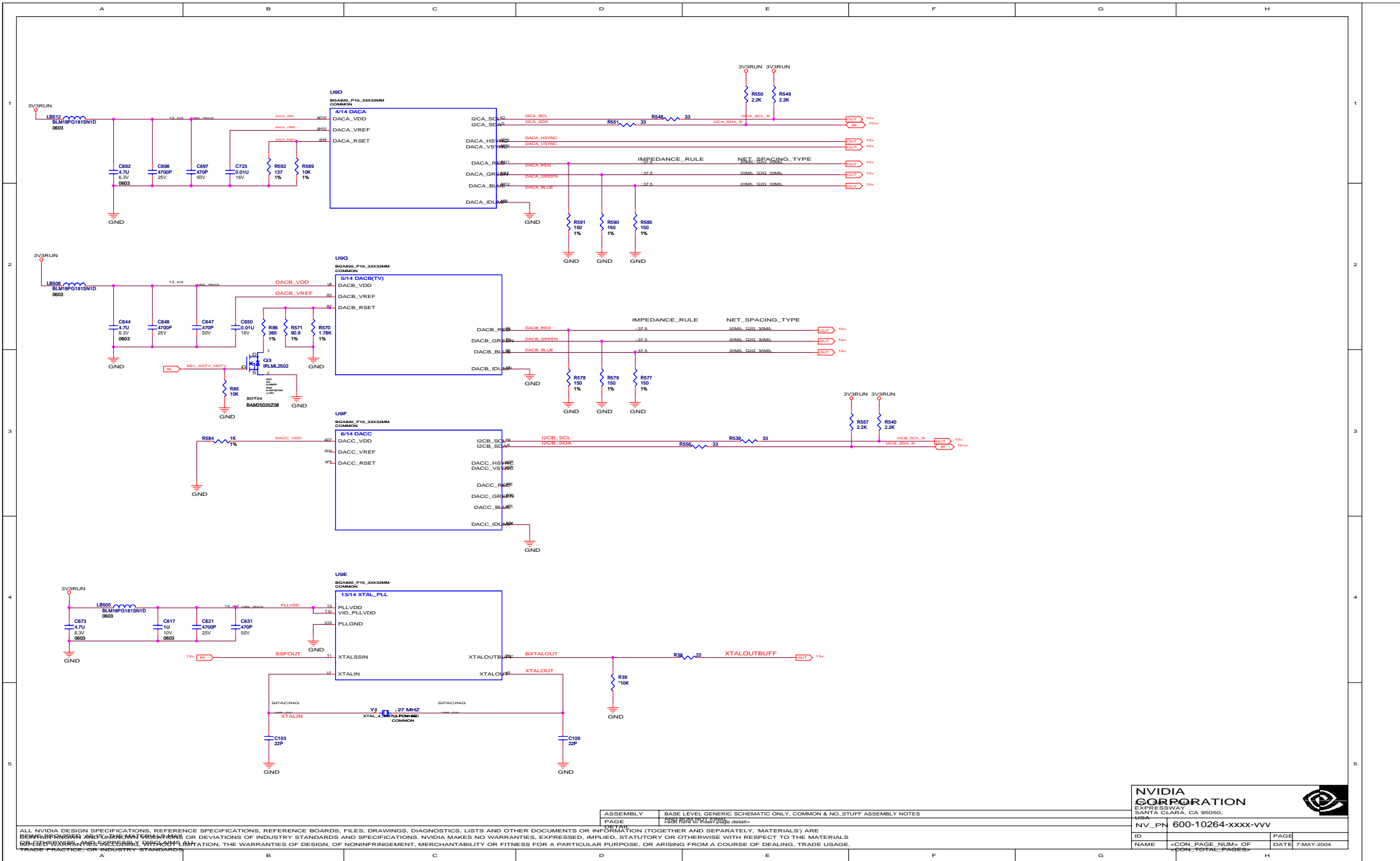


Decoupling for left MEMORY
Place around the MEM


Decoupling for left MEMORY
Place around the MEM

ASSEMBLY PAGE 2008 05/17/17
BASE LEVEL GENERIC SCHEMATIC ONLY. COMMON & NO. STUFF ASSEMBLY NOTES

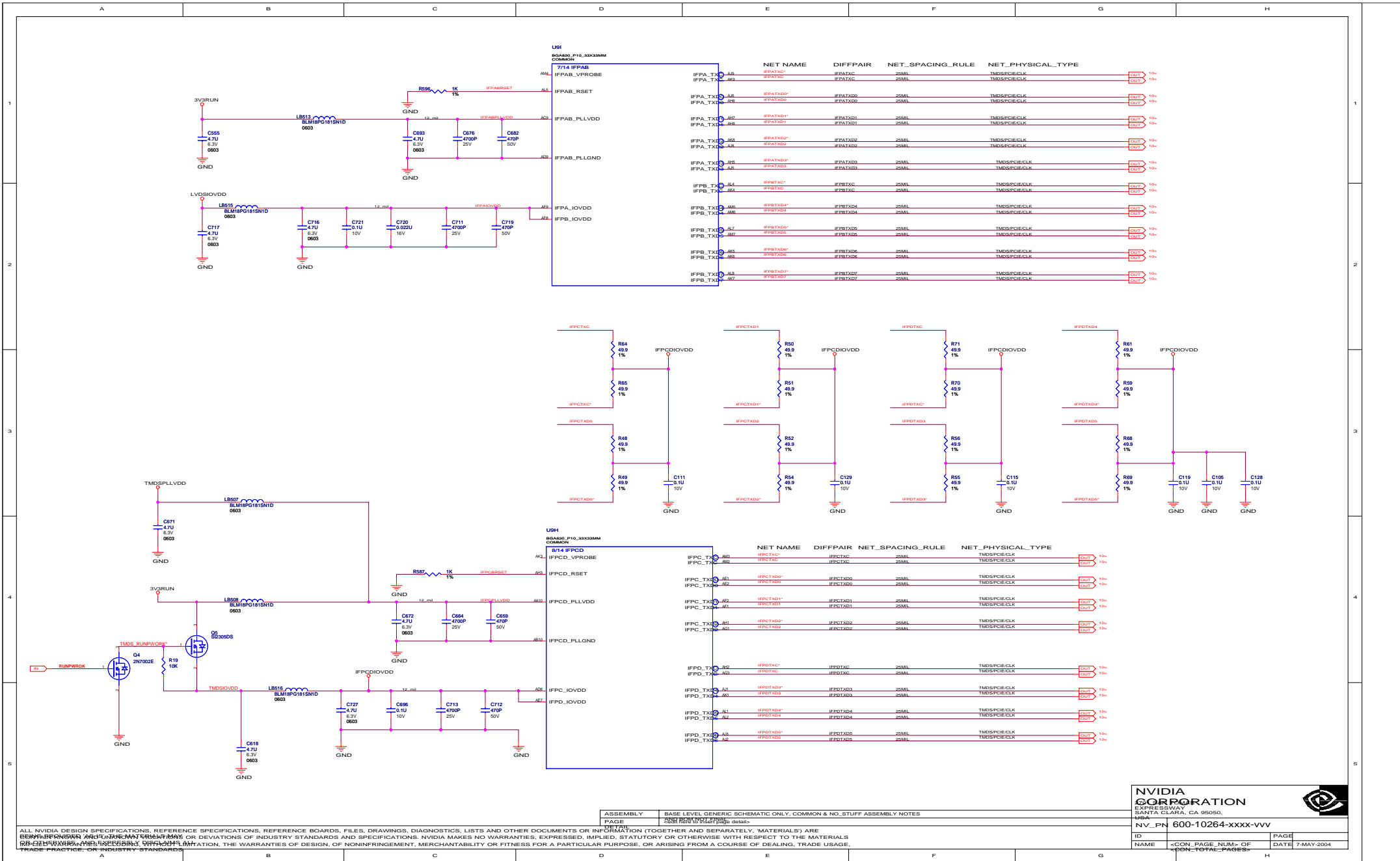
ALL NVIDIA DESIGN SPECIFICATIONS, REFERENCE SPECIFICATIONS, REFERENCE BOARDS, FILES, DRAWINGS, DIAGNOSTICS, LISTS AND OTHER DOCUMENTS OR INFORMATION (TOGETHER AND SEPARATELY, "MATERIALS") ARE BEYOND NVIDIA'S AND REFERENCE MATERIALS' OR DEVIATIONS OF INDUSTRY STANDARDS AND SPECIFICATIONS. NVIDIA MAKES NO WARRANTIES, EXPRESSED, IMPLIED, STATUTORY OR OTHERWISE WITH RESPECT TO THE MATERIALS OR INFORMATION, INCLUDING THE WARRANTIES OF DESIGN, OF NON-INFRINGEMENT, MERCHANTABILITY OR FITNESS FOR A PARTICULAR PURPOSE, OR ARISING FROM A COURSE OF DEALING, TRADE USAGE, TRADE PRACTICE OR INDUSTRY STANDARDS.



ASSEMBLY BASE LEVEL GENERIC SCHEMATIC ONLY. COMMON & NO_STUFF ASSEMBLY NOTES
 PAGE 2/22

NVIDIA CORPORATION EXPRESSWAY SANTA CLARA, CA 95050 USA			
ID	NV_PN 600-10264-XXXX-VVV	PAGE	
NAME	<CON_PAGE_NUM>_OF_<CON_TOTAL_PAGES>	DATE	7-MAY-2004

ALL NVIDIA DESIGN SPECIFICATIONS, REFERENCE SPECIFICATIONS, REFERENCE BOARDS, FILES, DRAWINGS, DIAGNOSTICS, LISTS AND OTHER DOCUMENTS OR INFORMATION (TOGETHER AND SEPARATELY, "MATERIALS") ARE BEING PROVIDED AND UNDERSTAND THAT THESE MATERIALS ARE PROVIDED "AS IS" WITHOUT WARRANTY OF ANY KIND, INCLUDING MERCHANTABILITY, FITNESS FOR A PARTICULAR PURPOSE, OR ARISING FROM A COURSE OF DEALING, TRADE USAGE, TRADE PRACTICE, OR INDUSTRY STANDARDS.



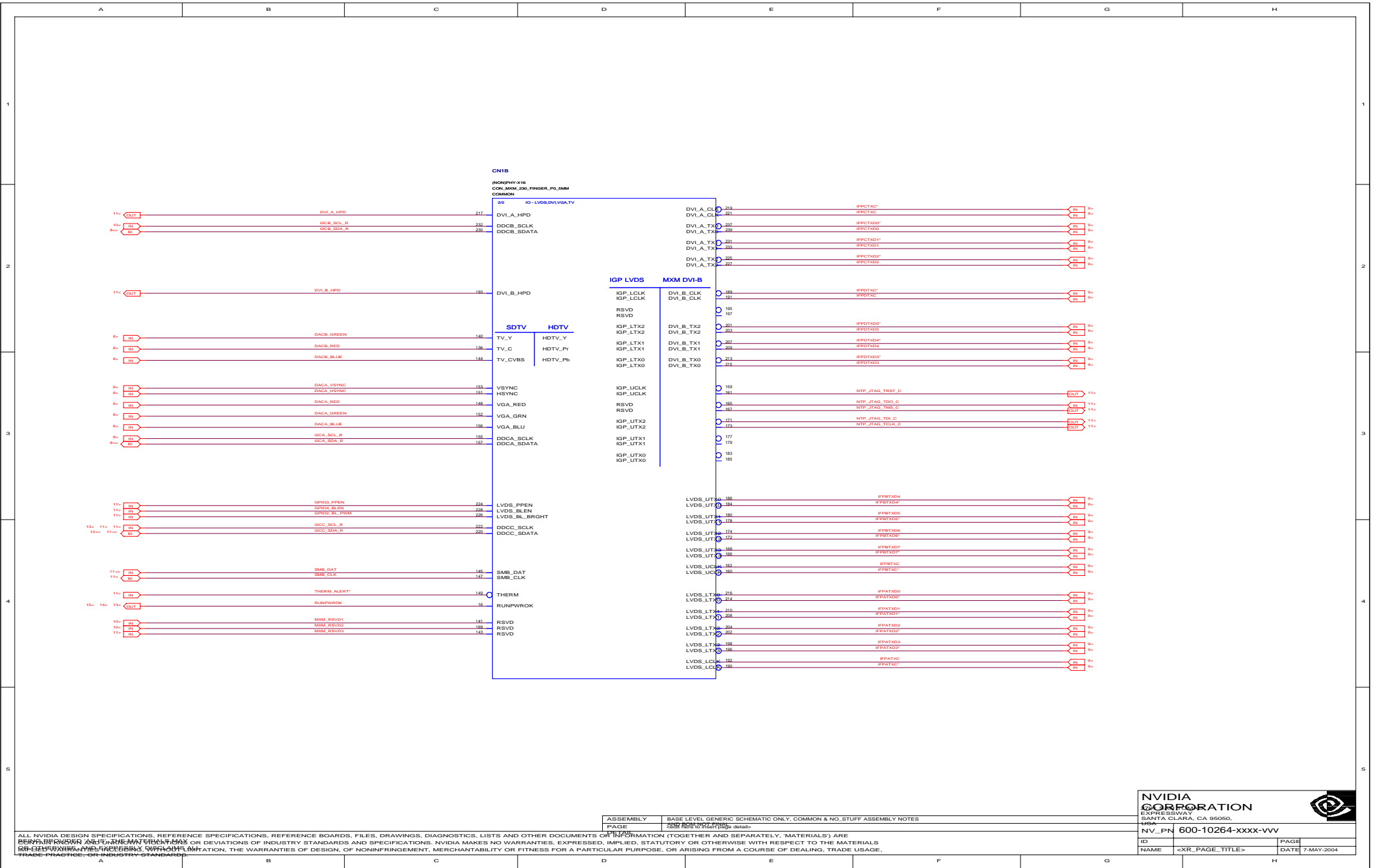
ALL NVIDIA DESIGN SPECIFICATIONS, REFERENCE SPECIFICATIONS, REFERENCE BOARDS, FILES, DRAWINGS, DIAGNOSTICS, LISTS AND OTHER DOCUMENTS OR INFORMATION (TOGETHER AND SEPARATELY, "MATERIALS") ARE THE PROPERTY OF NVIDIA CORPORATION. NVIDIA MAKES NO WARRANTIES, EXPRESSED, IMPLIED, STATUTORY OR OTHERWISE WITH RESPECT TO THE MATERIALS. TRADE PRACTICE OR INDUSTRY STANDARDS MAY APPLY. THE WARRANTIES OF DESIGN, OF NONINFRINGEMENT, MERCHANTABILITY OR FITNESS FOR A PARTICULAR PURPOSE, OR ARISING FROM A COURSE OF DEALING, TRADE USAGE OR DEPENDENT WARRANTIES OR DEVIATIONS OF INDUSTRY STANDARDS AND SPECIFICATIONS. NVIDIA MAKES NO WARRANTIES, EXPRESSED, IMPLIED, STATUTORY OR OTHERWISE WITH RESPECT TO THE MATERIALS. TRADE PRACTICE OR INDUSTRY STANDARDS MAY APPLY.



NV_PN 600-10264-XXXX-VVV

ASSEMBLY PAGE 2/22

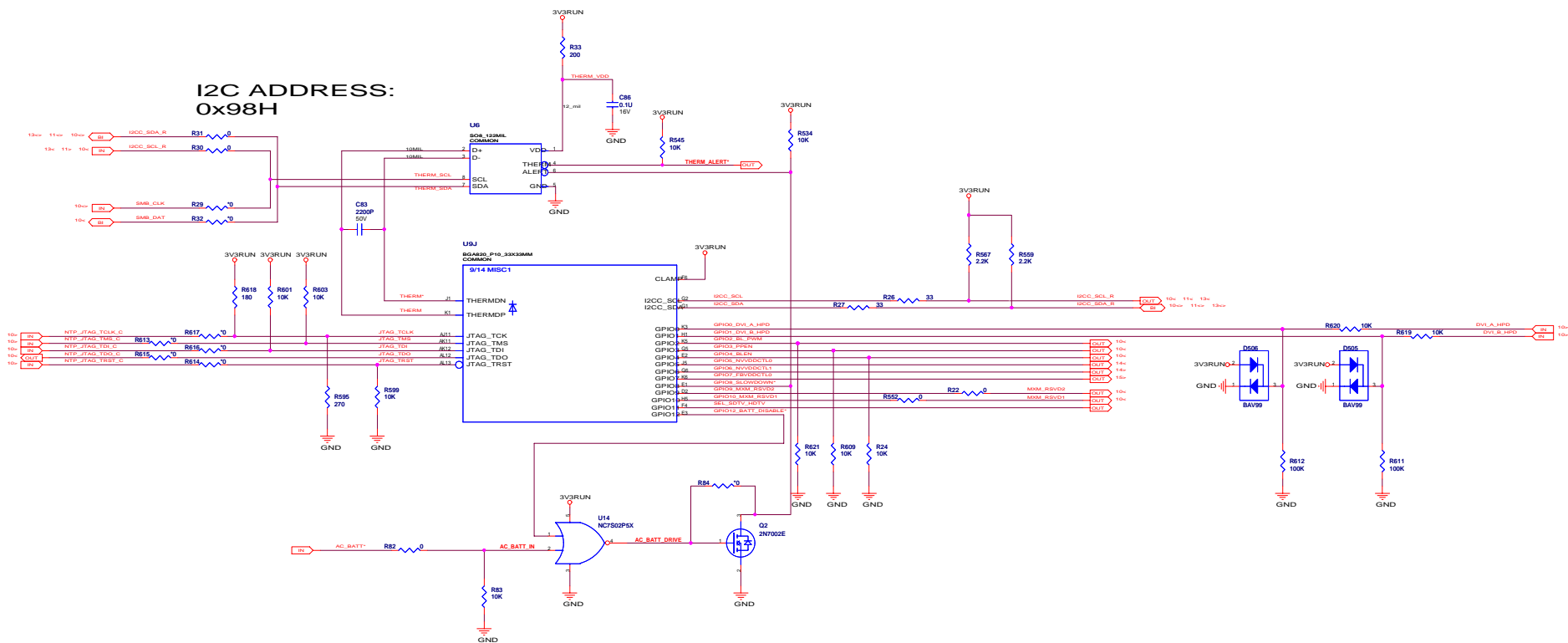
NAME <CON_PAGE_NUM> OF <CON_TOTAL_PAGES> PAGE 7 MAY 2004



ALL NVIDIA DESIGN SPECIFICATIONS, REFERENCE SPECIFICATIONS, REFERENCE BOARDS, FILES, DRAWINGS, DIAGNOSTICS, LISTS AND OTHER DOCUMENTS OR INFORMATION (TOGETHER AND SEPARATELY, "MATERIALS") ARE BEING PROVIDED AS REFERENCE MATERIALS OR DEVIATIONS OF INDUSTRY STANDARDS AND SPECIFICATIONS. NVIDIA MAKES NO WARRANTIES, EXPRESSED, IMPLIED, STATUTORY OR OTHERWISE WITH RESPECT TO THE MATERIALS OR THE INFORMATION. THE WARRANTIES OF DESIGN, OF NON-INFRINGEMENT, MERCHANTABILITY OR FITNESS FOR A PARTICULAR PURPOSE, OR ARISING FROM A COURSE OF DEALING, TRADE USAGE, TRADE PRACTICE OR INDUSTRY STANDARDS.

NVIDIA CORPORATION EXPRESSWAY SANTA CLARA, CA 95050.		
NV_PN 600-10264-xxxx-vvv		
ID	PAGE	
NAME <XR_PAGE_TITLE>	DATE 7-MAY-2004	

I2C ADDRESS:
0x98H



ASSEMBLY: BASE LEVEL GENERIC SCHEMATIC ONLY. COMMON & NO_STUFF ASSEMBLY NOTES
PAGE: 2/2

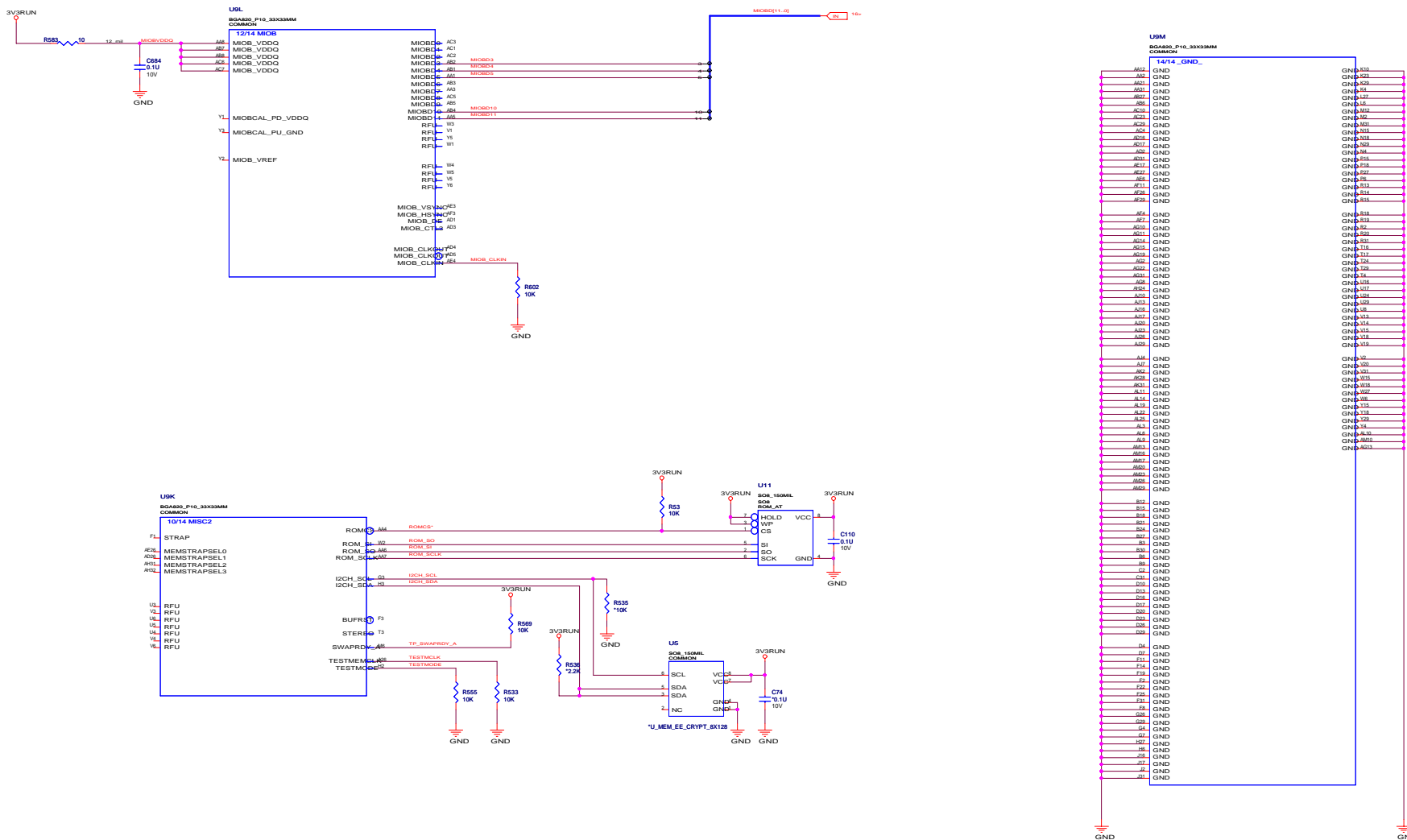
NVIDIA CORPORATION
EXPRESSWAY
SANTA CLARA, CA 95050
USA



NV_PN 600-10264-XXXX-VVV
ID: <CON_PAGE_NUM> OF <CON_TOTAL_PAGES> PAGE: 4
NAME: <CON_PAGE_NUM> OF <CON_TOTAL_PAGES> DATE: 7-MAY-2004

ALL NVIDIA DESIGN SPECIFICATIONS, REFERENCE SPECIFICATIONS, REFERENCE BOARDS, FILES, DRAWINGS, DIAGNOSTICS, LISTS AND OTHER DOCUMENTS OR INFORMATION (TOGETHER AND SEPARATELY, "MATERIALS") ARE BEING PROVIDED AS INFORMATION ONLY. NVIDIA MAKES NO WARRANTIES, EXPRESSED, IMPLIED, STATUTORY OR OTHERWISE WITH RESPECT TO THE MATERIALS. NVIDIA DISCLAIMS ALL WARRANTIES, INCLUDING MERCHANTABILITY, FITNESS FOR A PARTICULAR PURPOSE, OR ARISING FROM A COURSE OF DEALING, TRADE USAGE, TRADE PRACTICE, OR INDUSTRY STANDARDS.

A B C D E F G H



ASSEMBLY PAGE: 2/22

BASE LEVEL GENERIC SCHEMATIC ONLY. COMMON & NO_STUFF ASSEMBLY NOTES

ALL NVIDIA DESIGN SPECIFICATIONS, REFERENCE SPECIFICATIONS, REFERENCE BOARDS, FILES, DRAWINGS, DIAGNOSTICS, LISTS AND OTHER DOCUMENTS OR INFORMATION (TOGETHER AND SEPARATELY, "MATERIALS") ARE BEING PROVIDED AS INFORMATION ONLY. NVIDIA MAKES NO WARRANTIES, EXPRESSED, IMPLIED, STATUTORY OR OTHERWISE WITH RESPECT TO THE MATERIALS. NVIDIA DISCLAIMS ALL WARRANTIES, INCLUDING MERCHANTABILITY, FITNESS FOR A PARTICULAR PURPOSE, OR ARISING FROM A COURSE OF DEALING, TRADE USAGE, TRADE PRACTICE, OR INDUSTRY STANDARDS.

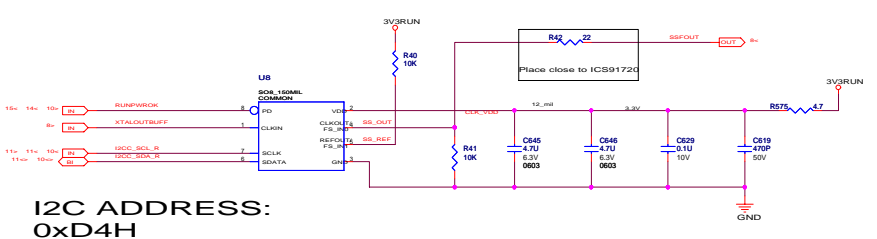


NV_PN 600-10264-XXXX-VVV

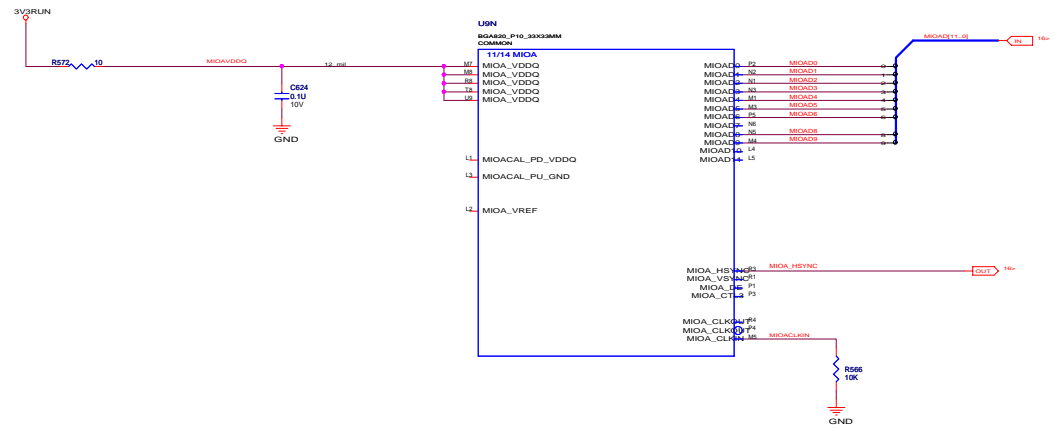
EXPRESSWAY SANTA CLARA, CA 95050, USA

NAME: <CON_PAGE_NUM> OF <CON_TOTAL_PAGES>

DATE: 7-MAY-2004



I2C ADDRESS:
0xD4H



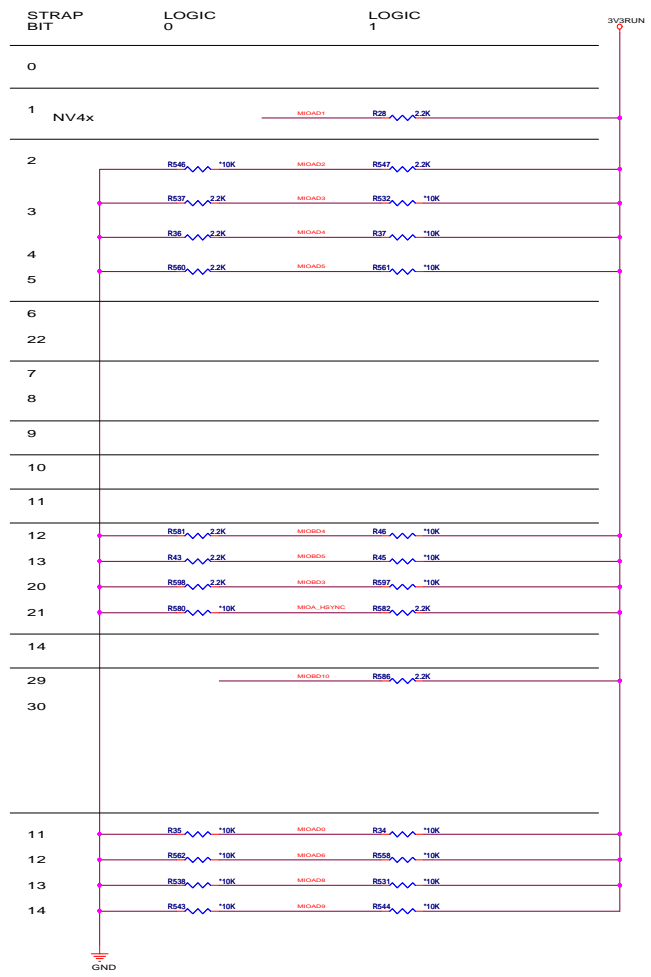
NVIDIA CORPORATION		
EXPRESSWAY SANTA CLARA, CA 95050, USA		
NV_PN	600-10264-XXXX-VVV	PAGE
ID	<CON_PAGE_NUM> OF	DATE
NAME	<CON_TOTAL_PAGES>	7-MAY-2004

ASSEMBLY BASE LEVEL GENERIC SCHEMATIC ONLY. COMMON & NO_STUFF ASSEMBLY NOTES
PAGE 2/22

ALL NVIDIA DESIGN SPECIFICATIONS, REFERENCE SPECIFICATIONS, REFERENCE BOARDS, FILES, DRAWINGS, DIAGNOSTICS, LISTS AND OTHER DOCUMENTS OR INFORMATION (TOGETHER AND SEPARATELY, "MATERIALS") ARE BEING PROVIDED AS INFORMATION ONLY. NVIDIA MAKES NO WARRANTIES, EXPRESSED, IMPLIED, STATUTORY OR OTHERWISE WITH RESPECT TO THE MATERIALS. NVIDIA DISCLAIMS ALL WARRANTIES, INCLUDING MERCHANTABILITY AND FITNESS FOR A PARTICULAR PURPOSE, ARISING FROM A COURSE OF DEALING, TRADE USAGE, TRADE PRACTICE, OR INDUSTRY STANDARDS.

12k OUT MIC0BD[11_0]

12k OUT MIC0AD[11_0]

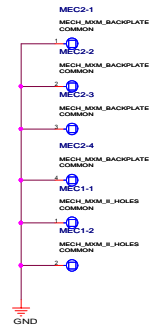


REG: NV_STRAP_0

PCI_AD_SWAP	0: REVERSED	
	1: NORMAL	DEFAULT
SUB_VENDOR	0: SYSTEM BIOS	
	1: ADAPTER BIOS	DEFAULT
RAM_CFG_0	RAM_CFG[3:0]	
	MS_0001: 8Mx32 DDR SDRAM, DQS PER 8 BITS, Monolithic	
	MS_0011: 8Mx32 DDR SDRAM, DQS PER 8 BITS, Stacked	
	MS_0110: 4Mx32 DDR SDRAM, DQS PER 8 BITS, Monolithic	
RAM_CFG_1		
RAM_CFG_2		
RAM_CFG_3		
CRYSTAL_0	MS_00: 13.5MHz	
	MS_01: 14.318MHz	
	MS_10: 27MHz	DEFAULT
	MS_11: RESERVED	
TV_MODE_0	MS_00: SECAM	
	MS_01: NTSC	DEFAULT
	MS_10: PAL	
	MS_11: VGA	
AGPBx/4x	0: 8x	DEFAULT
	1: 4x	
AGP_SIDEBAND	0: ENABLE	DEFAULT
	1: DISABLE	
AGP_FASTWRITE	0: ENABLE	DEFAULT
	1: DISABLE	
PCI_DEVID_0	MS_0100: NV34M	
	MS_0110: NV18M	
	MS_0111: NV18MPRO	DEFAULT
	MS_1010: NV31M	
	MS_1011: NV31MPRO	
	MS_1100: NV31GLM	
	MS_1101: NV33M	
	MS_1110: NV31GLMPRO	
BUS_TYPE	0: PCI	DEFAULT
	1: AGP	
ROM_TYPE_0	MS_00: PARALLEL	
	MS_01: SERIAL AT25F	
	MS_10: SERIAL SST45VF	DEFAULT
	MS_11: RESERVED	

REG: NV_STRAP_1

PEX_PLL_EN_TERM100	
3GIO_PADCFG_LUT_ADR[0]	
3GIO_PADCFG_LUT_ADR[1]	
3GIO_PADCFG_LUT_ADR[2]	



ALL NVIDIA DESIGN SPECIFICATIONS, REFERENCE SPECIFICATIONS, REFERENCE BOARDS, FILES, DRAWINGS, DIAGNOSTICS, LISTS AND OTHER DOCUMENTS OR INFORMATION (TOGETHER AND SEPARATELY, "MATERIALS") ARE BEING PROVIDED AS INFORMATION ONLY. NVIDIA MAKES NO WARRANTIES, EXPRESSED, IMPLIED, STATUTORY OR OTHERWISE WITH RESPECT TO THE MATERIALS. NVIDIA DISCLAIMS ALL WARRANTIES, INCLUDING MERCHANTABILITY, FITNESS FOR A PARTICULAR PURPOSE, OR ARISING FROM A COURSE OF DEALING, TRADE USAGE, TRADE PRACTICE, OR INDUSTRY STANDARDS.

NVIDIA CORPORATION
 EXPRESSWAY
 SANTA CLARA, CA 95050, USA

NV_PN 600-10264-XXXX-VVV

ID	PAGE
NAME	DATE

7-MAY-2004

ASSEMBLY PAGE 2/28

	A	B	C	D	E	F	G	H	
1	R617 R 14 R618 R 14 R619 R 14 R620 R 14 R621 R 14 R622 R 14 R623 R 14 R624 R 4 R625 R 4 R626 R 14 R628 R 3 R629 R 3 R631 R 10 R632 R 10 R633 R 12 R634 R 11 R635 R 12 R636 R 12 R637 R 10 R638 R 10 R639 R 8 R640 R 8 R641 R 3 R642 R 11 R643 R 10 R644 R 10 R645 R 11 R646 R 10 R647 R 10 R648 R 8 R649 R 8 R650 R 8 R651 R 8 R652 R 11 R653 R 3 R654 R 3 R655 R 12 R656 R 8 R657 R 8 R658 R 10 R659 R 11 R660 R 10 R661 R 10 R662 R 10 R663 R 3 R664 R 5 R665 R 3 R666 R 13 R667 R 11 R668 R 5 R669 R 12 R670 R 8 R671 R 8 R672 R 13 R673 R 4 R674 R 4 R675 R 13 R676 R 4 R677 R 8 R678 R 8 R679 R 8 R680 R 10 R681 R 10 R682 R 10 R683 R 12 R684 R 8 R685 R 8 R686 R 10 R687 R 0 R688 R 5 R689 R 8 R690 R 8 R691 R 8 R692 R 8 R693 R 10 R694 R 5 R695 R 11 R696 R 0 R697 R 10 R698 R 10 R699 R 11 R700 R 2 R601 R 11 R602 R 12 R603 R 11 R604 R 10 R605 R 10 R606 R 10 R607 R 10 R608 R 10 R609 R 11 R610 R 10 R611 R 11 R612 R 11 R613 R 11 R614 R 11 R615 R 11 R616 R 11 R617 R 11 R618 R 11 R619 R 11 R620 R 11 R621 R 11	U7 U_MEM_SD_DDR_X32 4 U8 U_CLK_SIG_120 13 U9 U_QSPI_Q3 2 3 4 9 11 12 13 U10 U_MEM_SD_DDR_X32 4 U11 U_MEM_FL_SER_120K50 12 U12 U_VREG_SNN 15 U13 U_VREG_SPINS 15 U601 U_MEM_SD_DDR_X32 7 U602 U_MEM_SD_DDR_X32 7 U603 U_SWRREG_MAX190X 14 U604 U_MEM_SD_DDR_X32 5 U605 U_MEM_SD_DDR_X32 5 U606 U_SWRREG_MAX190X 15 V1 XTAL_40M 8							
2	R656 R 8 R657 R 8 R658 R 10 R659 R 11 R660 R 10 R661 R 10 R662 R 10 R663 R 3 R664 R 5 R665 R 3 R666 R 13 R667 R 11 R668 R 5 R669 R 12 R670 R 8 R671 R 8 R672 R 13 R673 R 4 R674 R 4 R675 R 13 R676 R 4 R677 R 8 R678 R 8 R679 R 8 R680 R 10 R681 R 10 R682 R 10 R683 R 12 R684 R 8 R685 R 8 R686 R 10 R687 R 0 R688 R 5 R689 R 8 R690 R 8 R691 R 8 R692 R 8 R693 R 10 R694 R 5 R695 R 11 R696 R 0 R697 R 10 R698 R 10 R699 R 11 R700 R 2 R601 R 11 R602 R 12 R603 R 11 R604 R 10 R605 R 10 R606 R 10 R607 R 10 R608 R 10 R609 R 11 R610 R 10 R611 R 11 R612 R 11 R613 R 11 R614 R 11 R615 R 11 R616 R 11 R617 R 11 R618 R 11 R619 R 11 R620 R 11 R621 R 11								
3	R622 R 14 R623 R 14 R624 R 4 R625 R 4 R626 R 14 R628 R 3 R629 R 3 R631 R 10 R632 R 10 R633 R 12 R634 R 11 R635 R 12 R636 R 12 R637 R 10 R638 R 10 R639 R 8 R640 R 8 R641 R 3 R642 R 11 R643 R 10 R644 R 10 R645 R 11 R646 R 10 R647 R 10 R648 R 8 R649 R 8 R650 R 8 R651 R 8 R652 R 11 R653 R 3 R654 R 3 R655 R 12 R656 R 8 R657 R 8 R658 R 10 R659 R 11 R660 R 10 R661 R 10 R662 R 10 R663 R 3 R664 R 5 R665 R 3 R666 R 13 R667 R 11 R668 R 5 R669 R 12 R670 R 8 R671 R 8 R672 R 13 R673 R 4 R674 R 4 R675 R 13 R676 R 4 R677 R 8 R678 R 8 R679 R 8 R680 R 10 R681 R 10 R682 R 10 R683 R 12 R684 R 8 R685 R 8 R686 R 10 R687 R 0 R688 R 5 R689 R 8 R690 R 8 R691 R 8 R692 R 8 R693 R 10 R694 R 5 R695 R 11 R696 R 0 R697 R 10 R698 R 10 R699 R 11 R700 R 2 R601 R 11 R602 R 12 R603 R 11 R604 R 10 R605 R 10 R606 R 10 R607 R 10 R608 R 10 R609 R 11 R610 R 10 R611 R 11 R612 R 11 R613 R 11 R614 R 11 R615 R 11 R616 R 11 R617 R 11 R618 R 11 R619 R 11 R620 R 11 R621 R 11								
4	R622 R 14 R623 R 14 R624 R 4 R625 R 4 R626 R 14 R628 R 3 R629 R 3 R631 R 10 R632 R 10 R633 R 12 R634 R 11 R635 R 12 R636 R 12 R637 R 10 R638 R 10 R639 R 8 R640 R 8 R641 R 3 R642 R 11 R643 R 10 R644 R 10 R645 R 11 R646 R 10 R647 R 10 R648 R 8 R649 R 8 R650 R 8 R651 R 8 R652 R 11 R653 R 3 R654 R 3 R655 R 12 R656 R 8 R657 R 8 R658 R 10 R659 R 11 R660 R 10 R661 R 10 R662 R 10 R663 R 3 R664 R 5 R665 R 3 R666 R 13 R667 R 11 R668 R 5 R669 R 12 R670 R 8 R671 R 8 R672 R 13 R673 R 4 R674 R 4 R675 R 13 R676 R 4 R677 R 8 R678 R 8 R679 R 8 R680 R 10 R681 R 10 R682 R 10 R683 R 12 R684 R 8 R685 R 8 R686 R 10 R687 R 0 R688 R 5 R689 R 8 R690 R 8 R691 R 8 R692 R 8 R693 R 10 R694 R 5 R695 R 11 R696 R 0 R697 R 10 R698 R 10 R699 R 11 R700 R 2 R601 R 11 R602 R 12 R603 R 11 R604 R 10 R605 R 10 R606 R 10 R607 R 10 R608 R 10 R609 R 11 R610 R 10 R611 R 11 R612 R 11 R613 R 11 R614 R 11 R615 R 11 R616 R 11 R617 R 11 R618 R 11 R619 R 11 R620 R 11 R621 R 11								
5	U1 U_VTREG_LIN 15 U2 U_MEM_SD_DDR_X32 6 U3 U_MEM_SD_DDR_X32 6 U4 U_NOR_204 14 U5 U_MEM_FL_SER_120K50 12 U6 U_TEMP_AD1032 11								

NVIDIA CORPORATION
 2701 SAN TOMAS EXPRESSWAY
 SANTA CLARA, CA 95050, USA

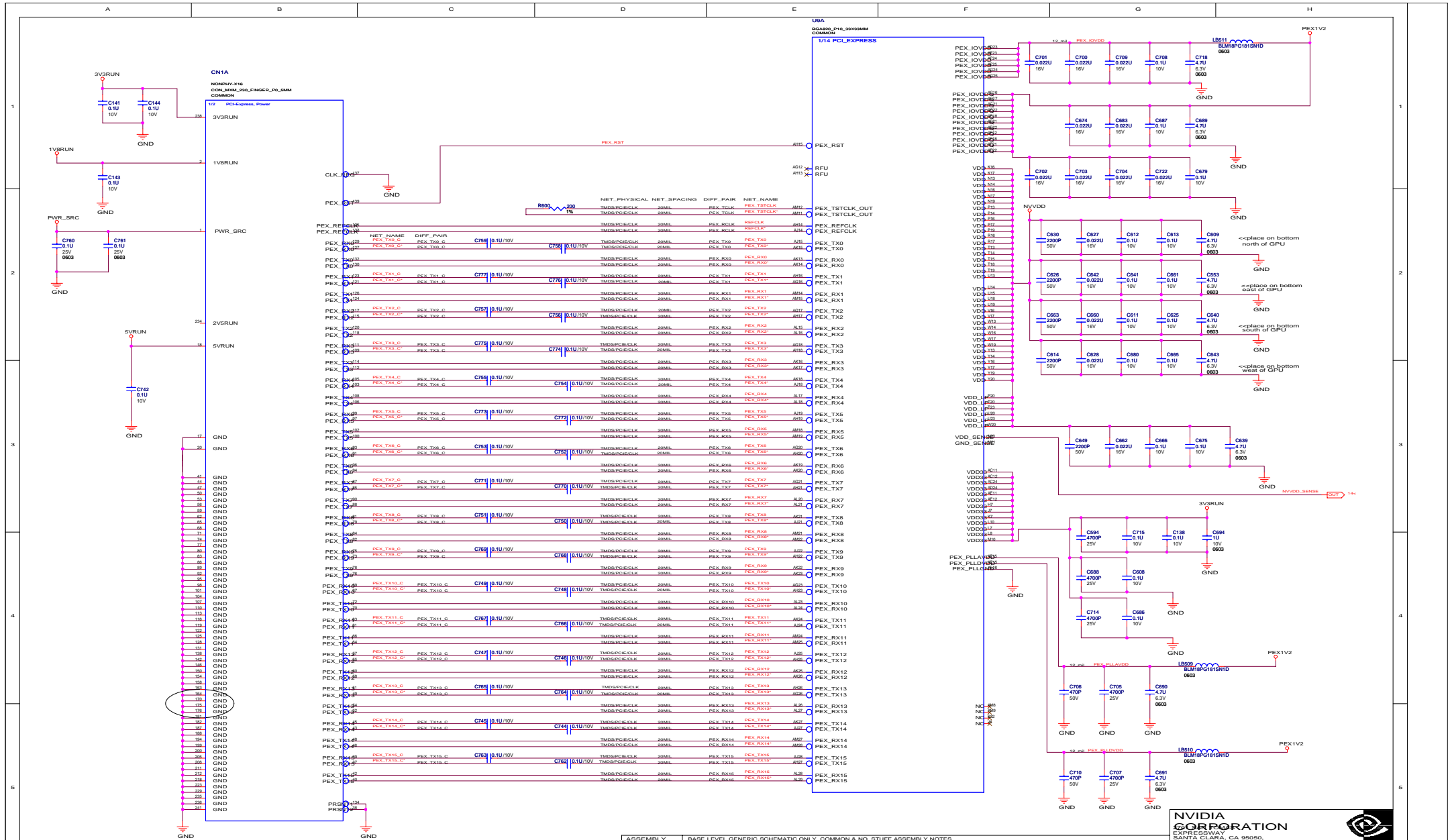


NV_PN 600-10264-XXXX-VVV

ID	PAGE
NAME	<CON_PAGE_NUM> OF <CON_PAGE_COUNT>

ASSEMBLY	BASE LEVEL GENERIC SCHEMATIC ONLY. COMMON & NO_STUFF ASSEMBLY NOTES AND BOM NOT FINAL
PAGE DETAIL	<edit here to insert page detail>

ALL NVIDIA DESIGN SPECIFICATIONS, REFERENCE SPECIFICATIONS, REFERENCE BOARDS, FILES, DRAWINGS, DIAGNOSTICS, LISTS AND OTHER DOCUMENTS OR INFORMATION (TOGETHER AND SEPARATELY, 'MATERIALS') ARE BEING PROVIDED 'AS IS'. THE MATERIALS MAY CONTAIN KNOWN AND UNKNOWN VIOLATIONS OR DEVIATIONS OF INDUSTRY STANDARDS AND SPECIFICATIONS. NVIDIA MAKES NO WARRANTIES, EXPRESSED, IMPLIED, STATUTORY OR OTHERWISE WITH RESPECT TO THE MATERIALS OR OTHERWISE, AND EXPRESSLY DISCLAIMS ALL IMPLIED WARRANTIES INCLUDING, WITHOUT LIMITATION, THE WARRANTIES OF DESIGN, OF NONINFRINGEMENT, OF MERCHANTABILITY OR ARISING FROM A COURSE OF DEALING, TRADE USAGE, TRADE PRACTICE, OR INDUSTRY STANDARDS.



NVIDIA CORPORATION
 EXPRESSWAY
 SANTA CLARA, CA 95050
 USA

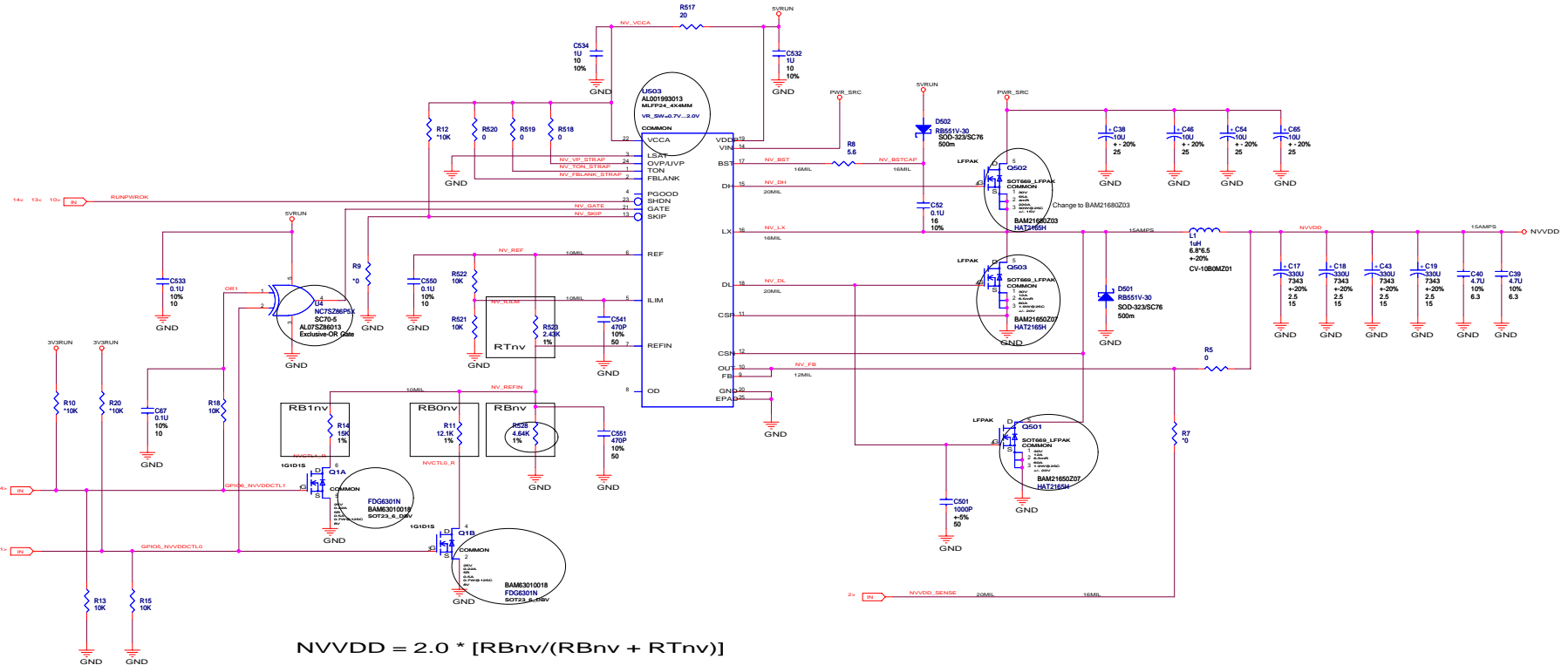
REV: PN 600-10264-XXXX-VVV

DATE: 7-MAY-2004

PAGE: 1 OF 1

ALL NVIDIA DESIGN SPECIFICATIONS, REFERENCE SPECIFICATIONS, REFERENCE BOARDS, FILES, DRAWINGS, DIAGNOSTICS, LISTS AND OTHER DOCUMENTS (TOGETHER AND SEPARATELY, "MATERIALS") ARE BEING PROVIDED AND UNDERSTAND THAT NVIDIA MAKES NO WARRANTIES, EXPRESSED, IMPLIED, STATUTORY OR OTHERWISE WITH RESPECT TO THE MATERIALS. NVIDIA DISCLAIMS ALL WARRANTIES, MERCHANTABILITY OR FITNESS FOR A PARTICULAR PURPOSE, OR ARISING FROM A COURSE OF DEALING, TRADE USAGE, TRADE PRACTICE, OR INDUSTRY STANDARDS.

NET	MIN_LINE_WIDTH	VOLTAGE
SVRLUN	10MIL	5V
SV3RLUN	10MIL	3.3V
FBVDD	12MIL	2.5V
FBVDDG	12MIL	2.5V
NV_VDD	12MIL	1.2V
PWR_SRC	18MIL	22V



$$NVDD = 2.0 * [RBnv / (RBnv + RTnv)]$$

NV43M	RTnv	RBnv	GPIO0	GPIO5
1.02V	3.09K	4.75K[15.4K]28K	High	High
1.08V	3.09K	4.75K[15.4K]	High	Low
1.13V	3.09K	4.75K[28K]	Low	High
1.21V	3.09K	4.75K	Low	Low

NVIDIA CORPORATION
 EXPRESSWAY
 SANTA CLARA, CA 95050
 95050

NV_PN 600-10264-XXXX-VVV

ID _____ PAGE _____
 NAME <XR_PAGE_TITLE> DATE 7-MAY-2004

ASSEMBLY: BASE LEVEL GENERIC SCHEMATIC ONLY. COMMON & NO_STUFF ASSEMBLY NOTES
 PAGE: 2/20 (REV: 1/1/2004) (REV: 1/1/2004)

ALL NVIDIA DESIGN SPECIFICATIONS, REFERENCE SPECIFICATIONS, REFERENCE BOARDS, FILES, DRAWINGS, DIAGNOSTICS, LISTS AND OTHER DOCUMENTS OR INFORMATION (TOGETHER AND SEPARATELY, "MATERIALS") ARE PROVIDED UNDER AN "AS IS" BASIS OR DEVIATIONS OF INDUSTRY STANDARDS AND SPECIFICATIONS. NVIDIA MAKES NO WARRANTIES, EXPRESSED, IMPLIED, STATUTORY OR OTHERWISE WITH RESPECT TO THE MATERIALS. NVIDIA ACCEPTS NO LIABILITY FOR ANY DAMAGES, INCLUDING CONSEQUENTIAL DAMAGES, ARISING FROM OR OUT OF THE USE OF THE MATERIALS. THE WARRANTIES OF DESIGN, OF NONINFRINGEMENT, MERCHANTABILITY OR FITNESS FOR A PARTICULAR PURPOSE, OR ARISING FROM A COURSE OF DEALING, TRADE USAGE, TRADE PRACTICE OR INDUSTRY STANDARDS.

