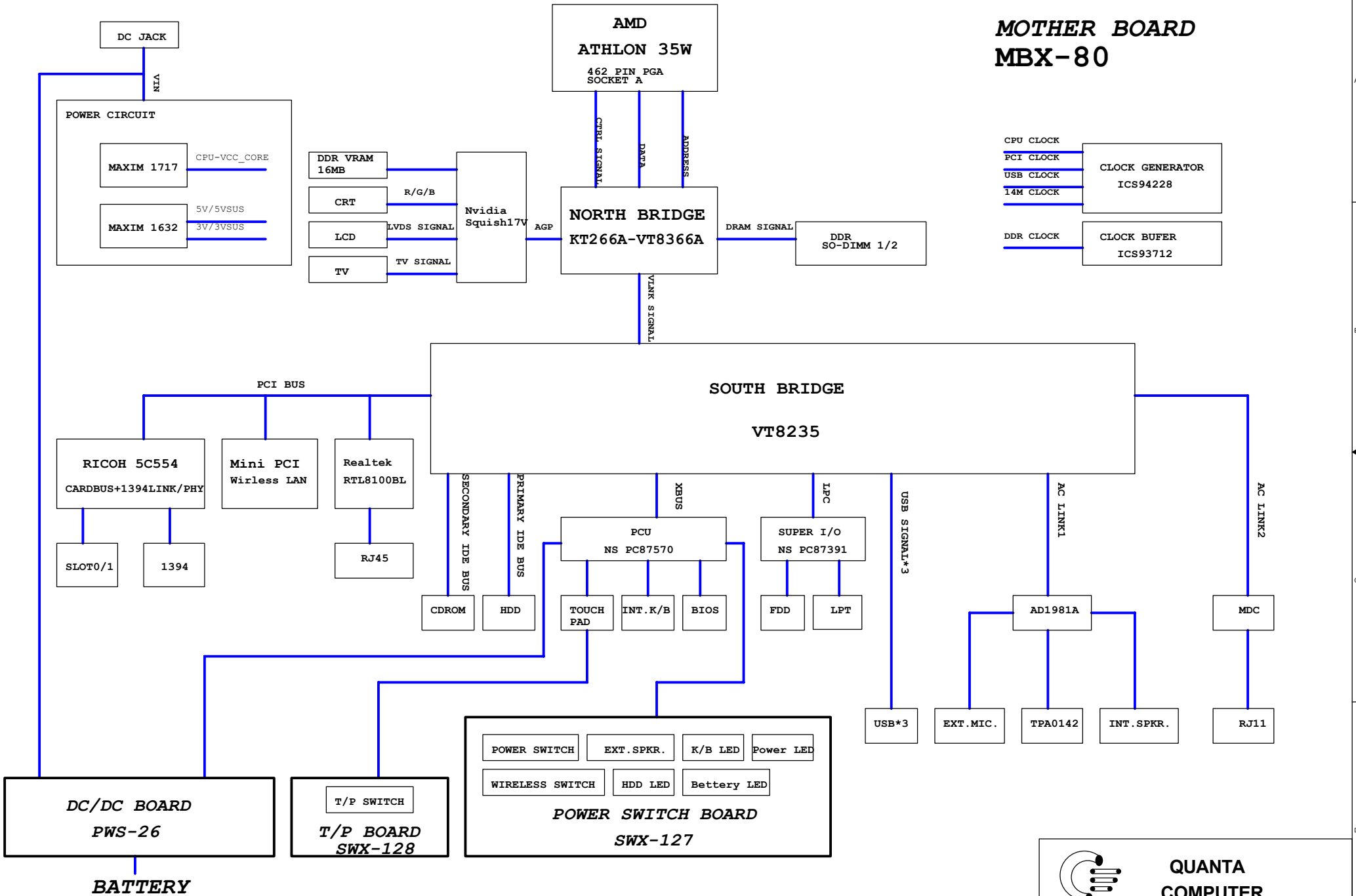
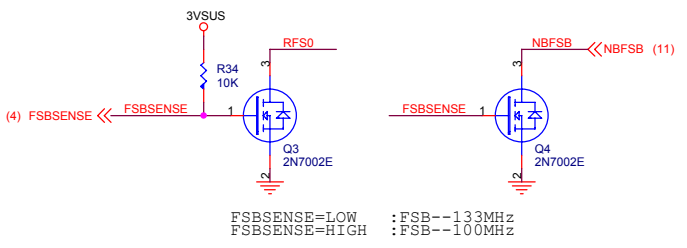
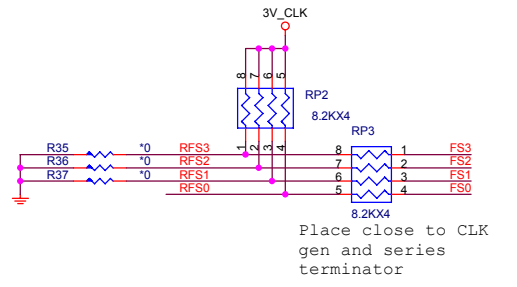
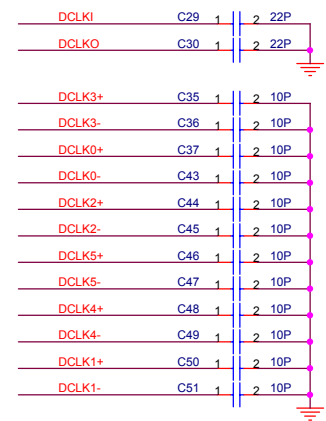
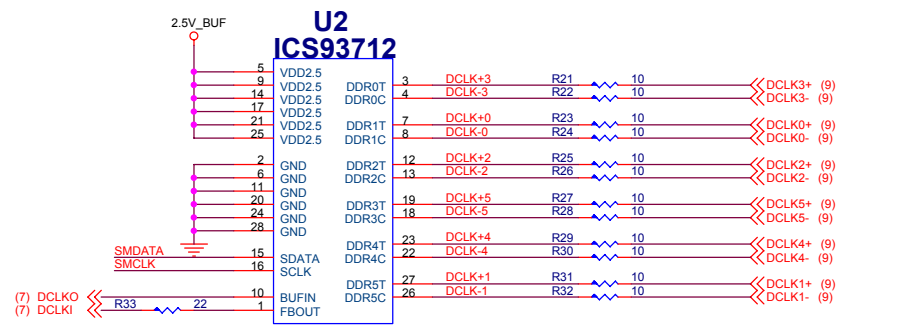
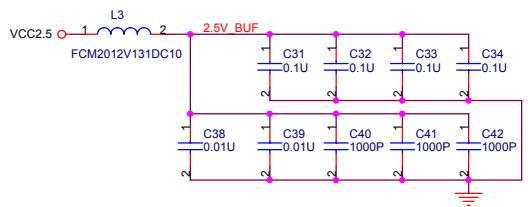
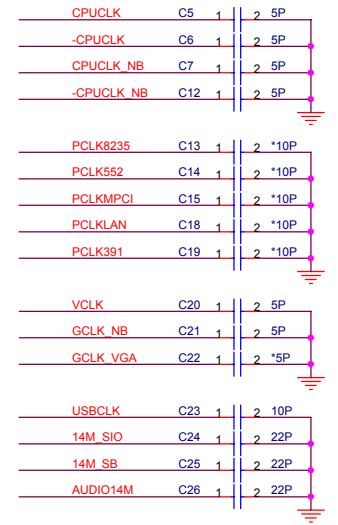
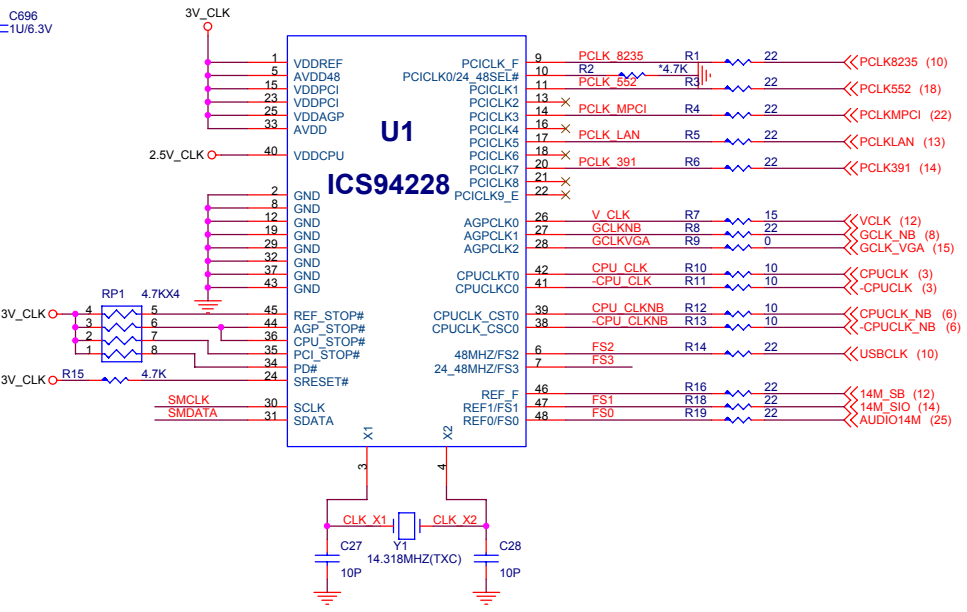
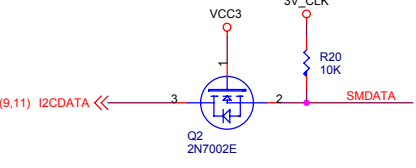
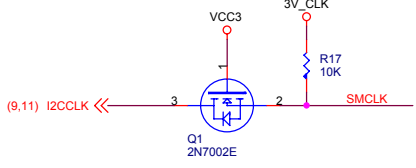
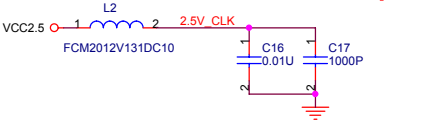
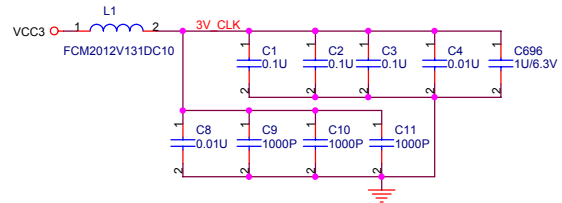


MOTHER BOARD MBX-80



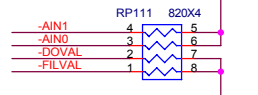
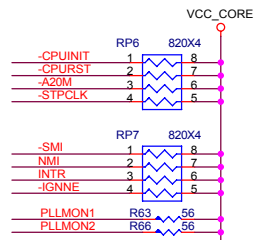
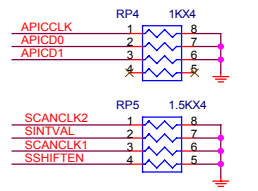
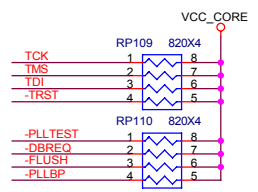
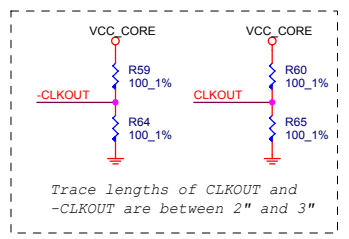
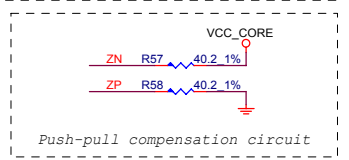
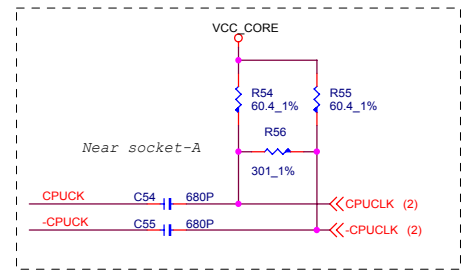
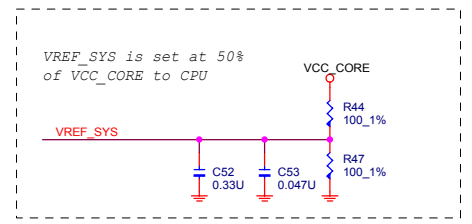
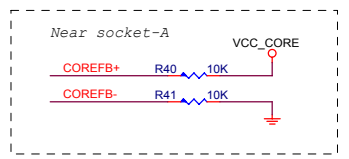
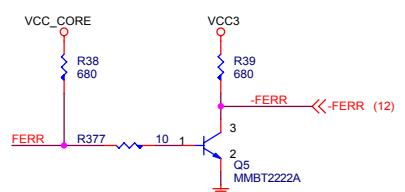
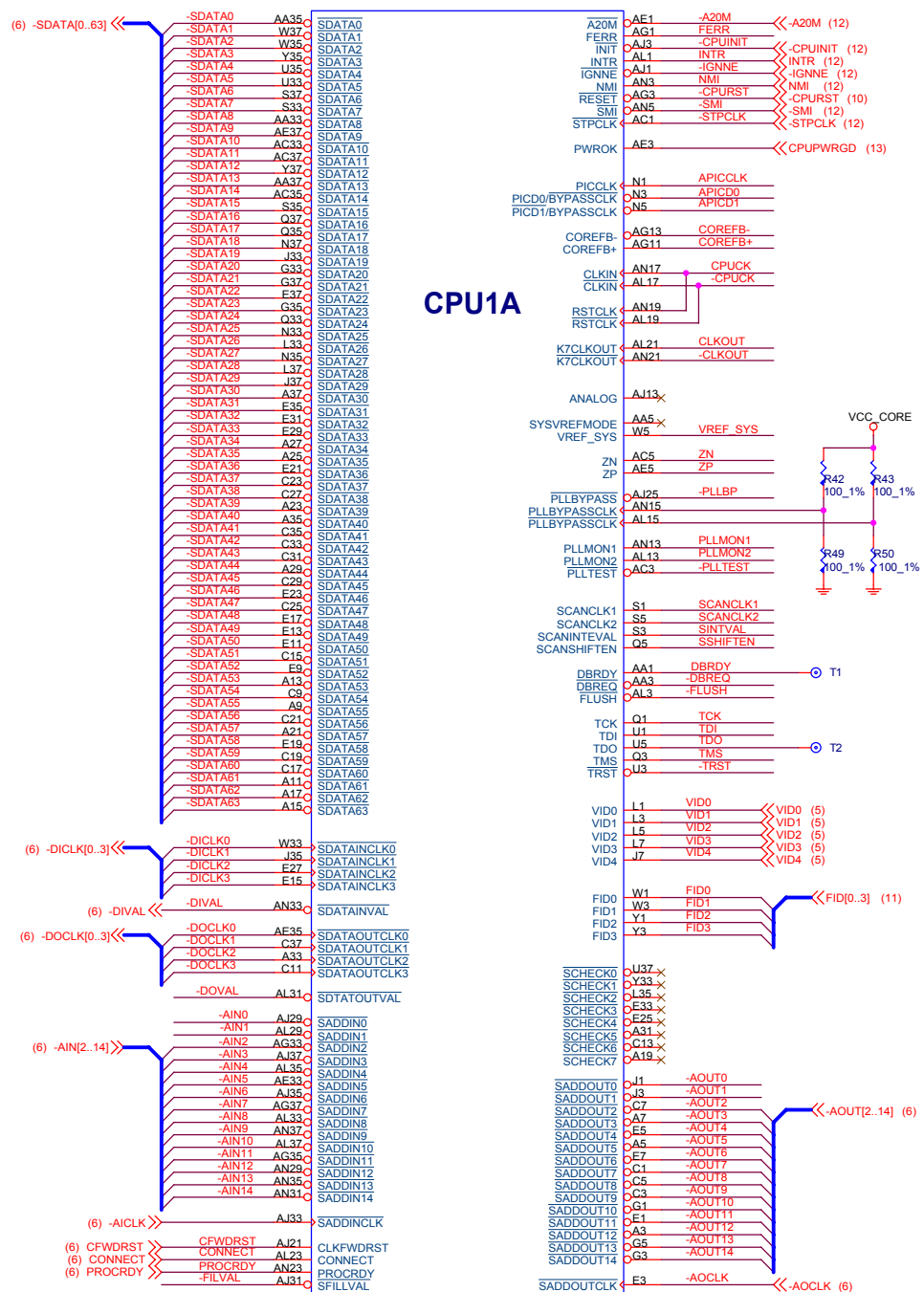
**QUANTA
COMPUTER**

Size	Document Number NE5 Main Board	Rev 2A
Date:	星期二, 十二月 11, 2002	Sheet 1 of 31



**QUANTA
COMPUTER**

Size	Document Number	Rev
Date:	NE5 Main Board	3C
Date: 星期二, 十二月 11, 2002	Sheet 2 of 31	

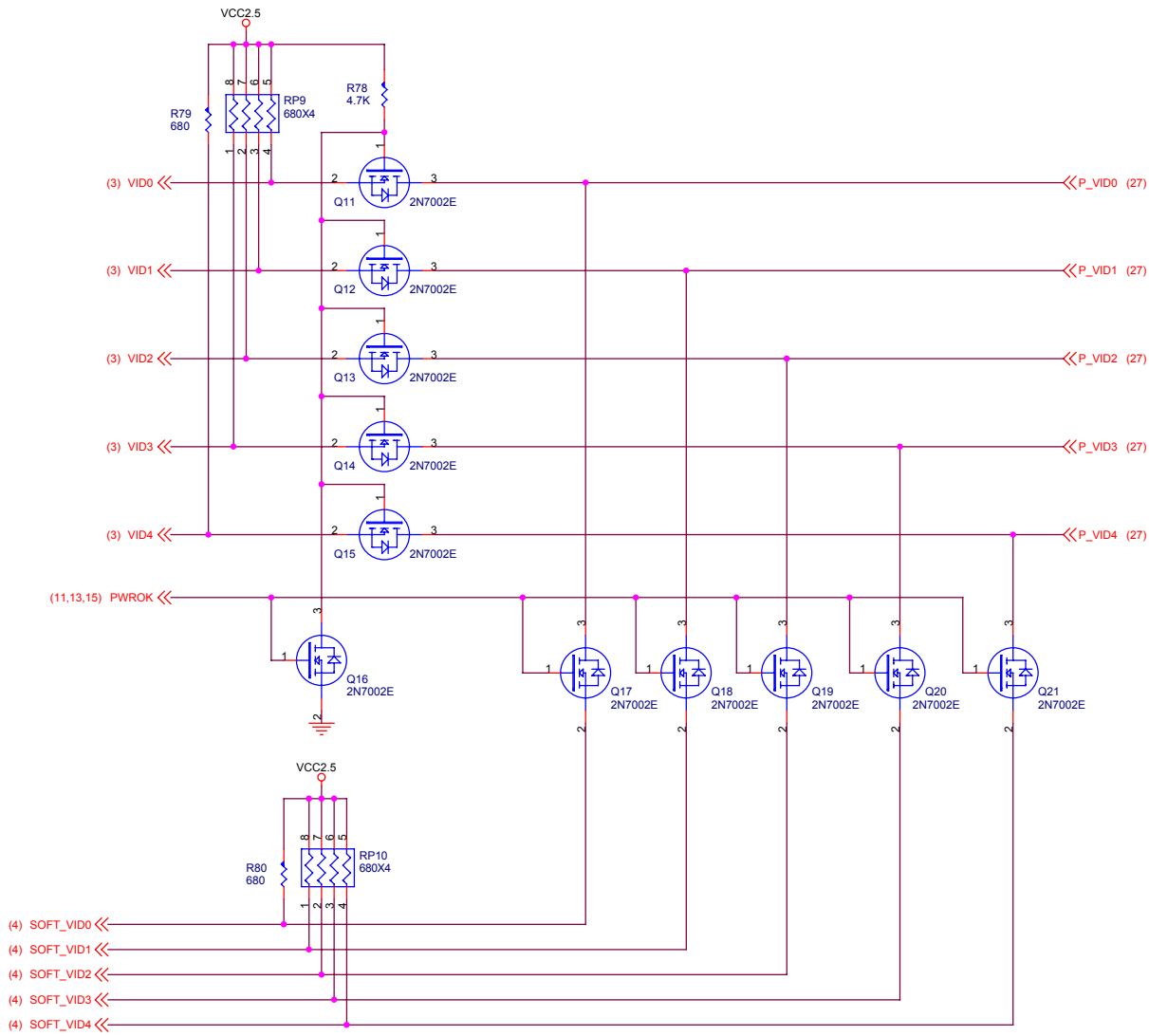


QUANTA COMPUTER

Size Document Number
NE5 Main Board

Rev
1A

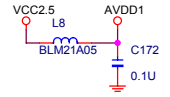
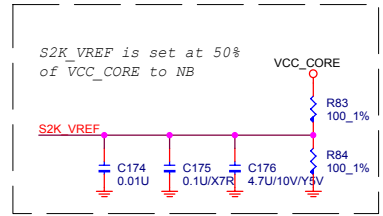
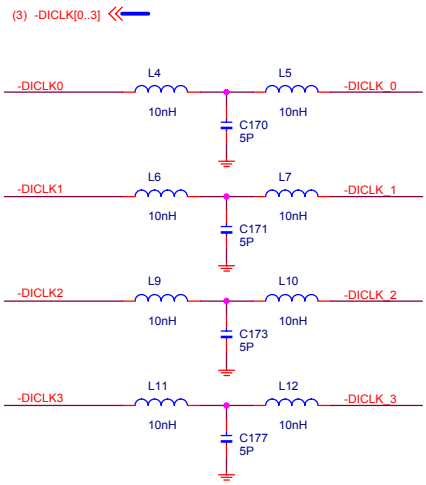
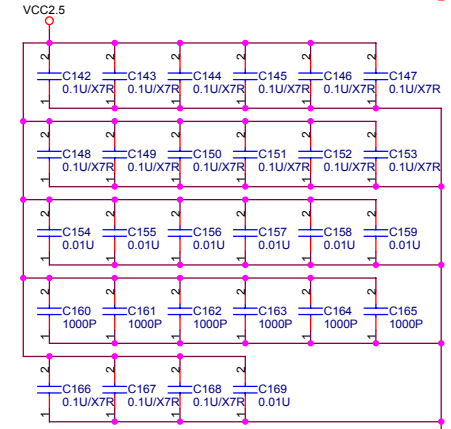
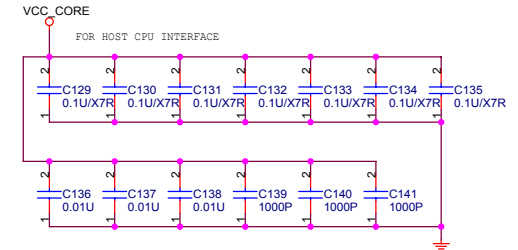
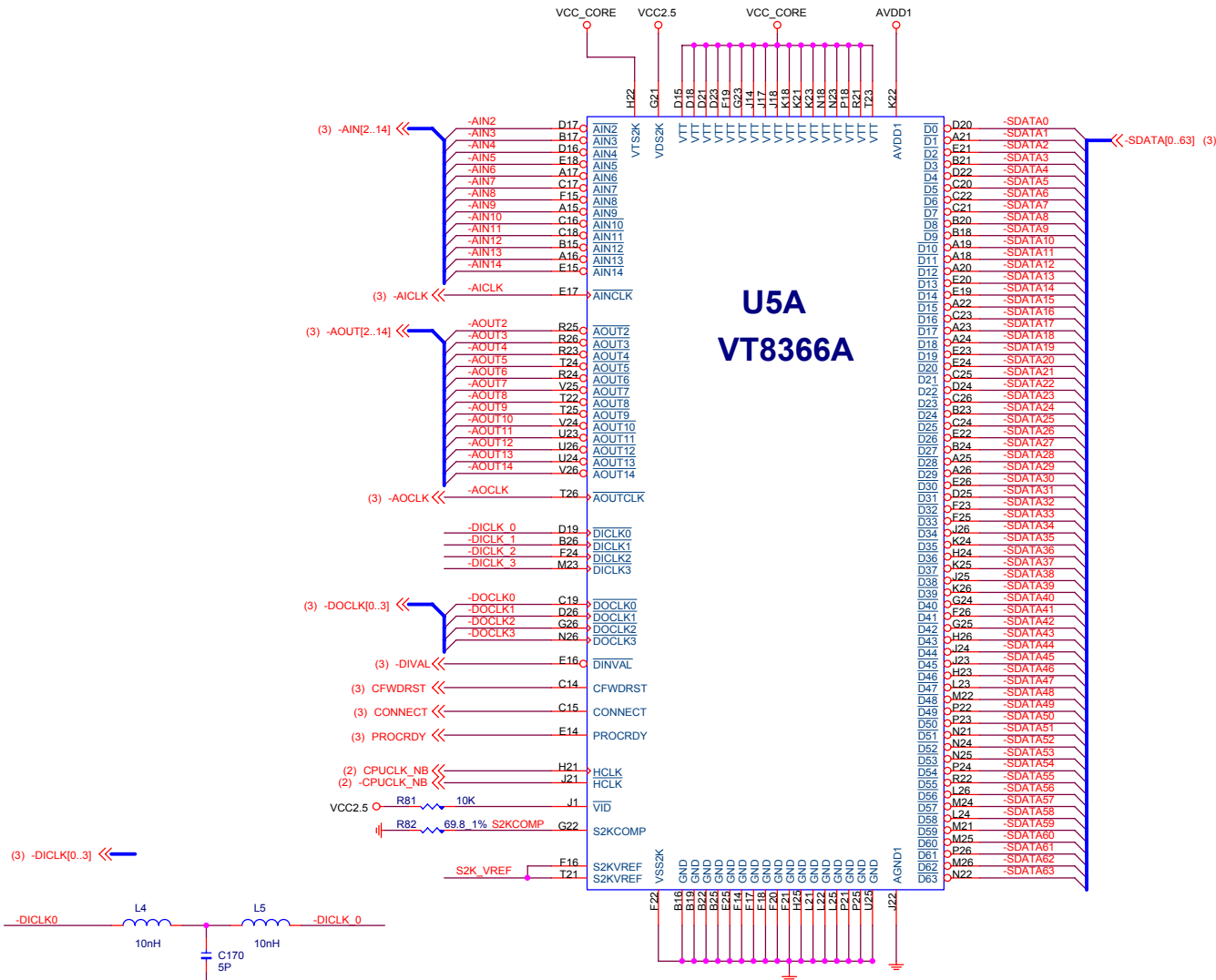
Date: 星期三, 十二月 11, 2002 Sheet 3 of 31



VID[4..0]	Voltage
0 0 0 0 0	2.00V
0 0 0 0 1	1.95V
0 0 0 1 0	1.90V
0 0 0 1 1	1.85V
0 0 1 0 0	1.80V
0 0 1 0 1	1.75V
0 0 1 1 0	1.70V
0 0 1 1 1	1.65V
0 1 0 0 0	1.60V
0 1 0 0 1	1.55V
0 1 0 1 0	1.50V
0 1 0 1 1	1.45V
0 1 1 0 0	1.40V
0 1 1 0 1	1.35V
0 1 1 1 0	1.30V
0 1 1 1 1	Shutdown
1 0 0 0 0	1.275V
1 0 0 0 1	1.250V
1 0 0 1 0	1.225V
1 0 0 1 1	1.200V
1 0 1 0 0	1.175V
1 0 1 0 1	1.150V
1 0 1 1 0	1.125V
1 0 1 1 1	1.100V
1 1 0 0 0	1.075V
1 1 0 0 1	1.050V
1 1 0 1 0	1.025V
1 1 0 1 1	1.000V
1 1 1 0 0	0.975V
1 1 1 0 1	0.950V
1 1 1 1 0	0.925V
1 1 1 1 1	Shutdown



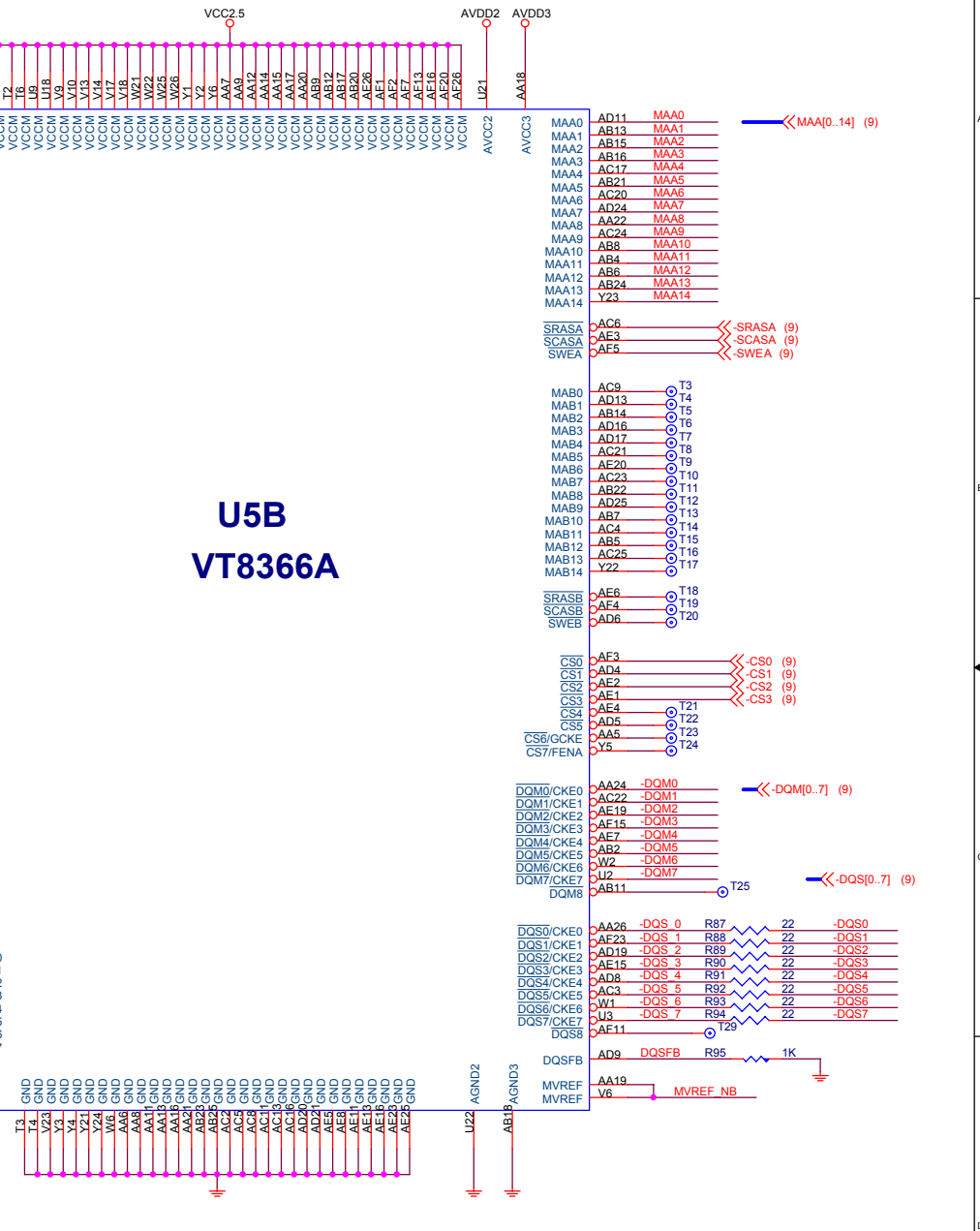
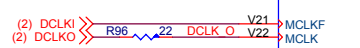
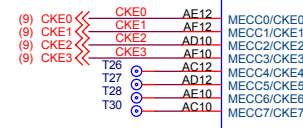
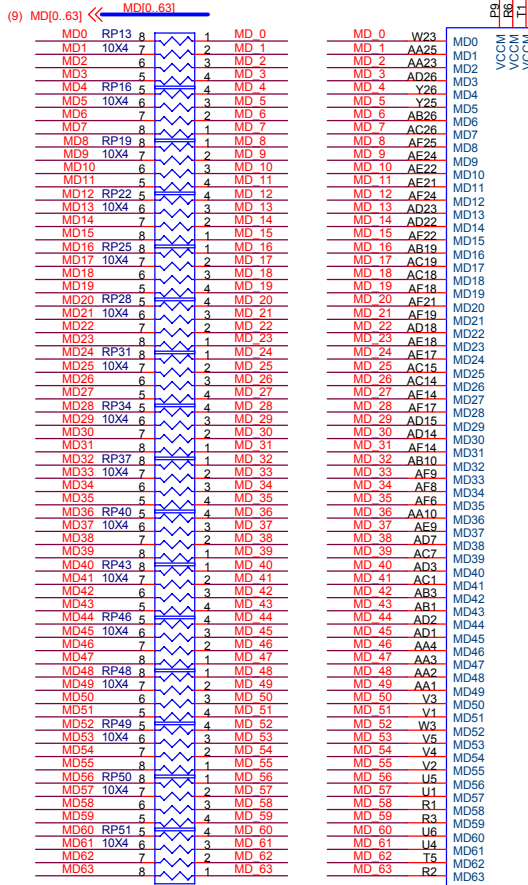
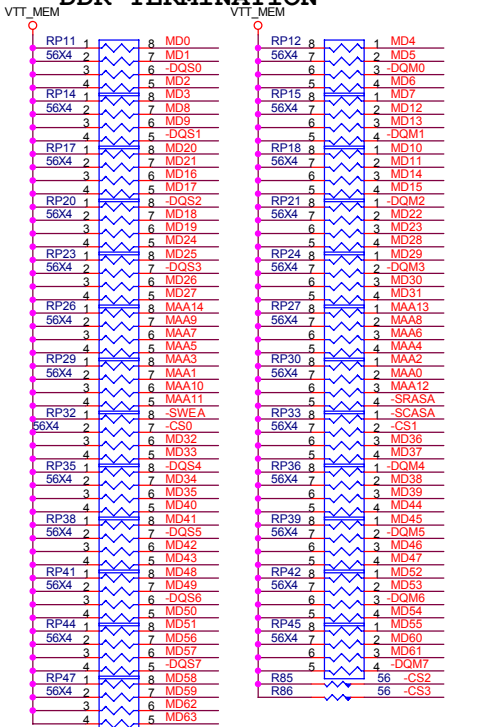
**QUANTA
COMPUTER**



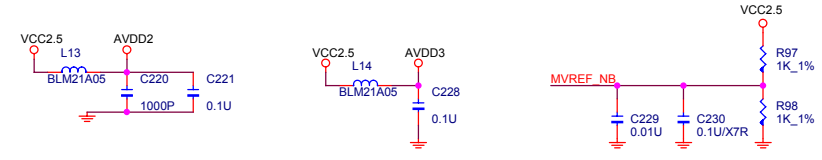
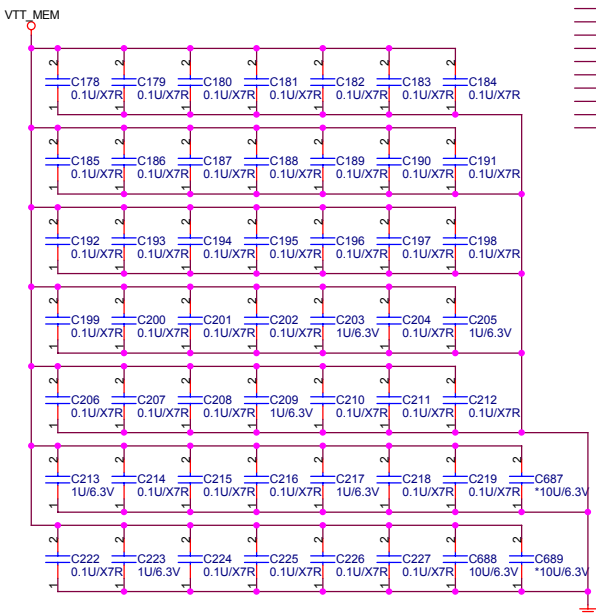
**QUANTA
COMPUTER**

Size	Document Number	Rev
	NE5 Main Board	1A
Date:	星期三, 十二月 11, 2002	Sheet 6 of 31

DDR TERMINATION



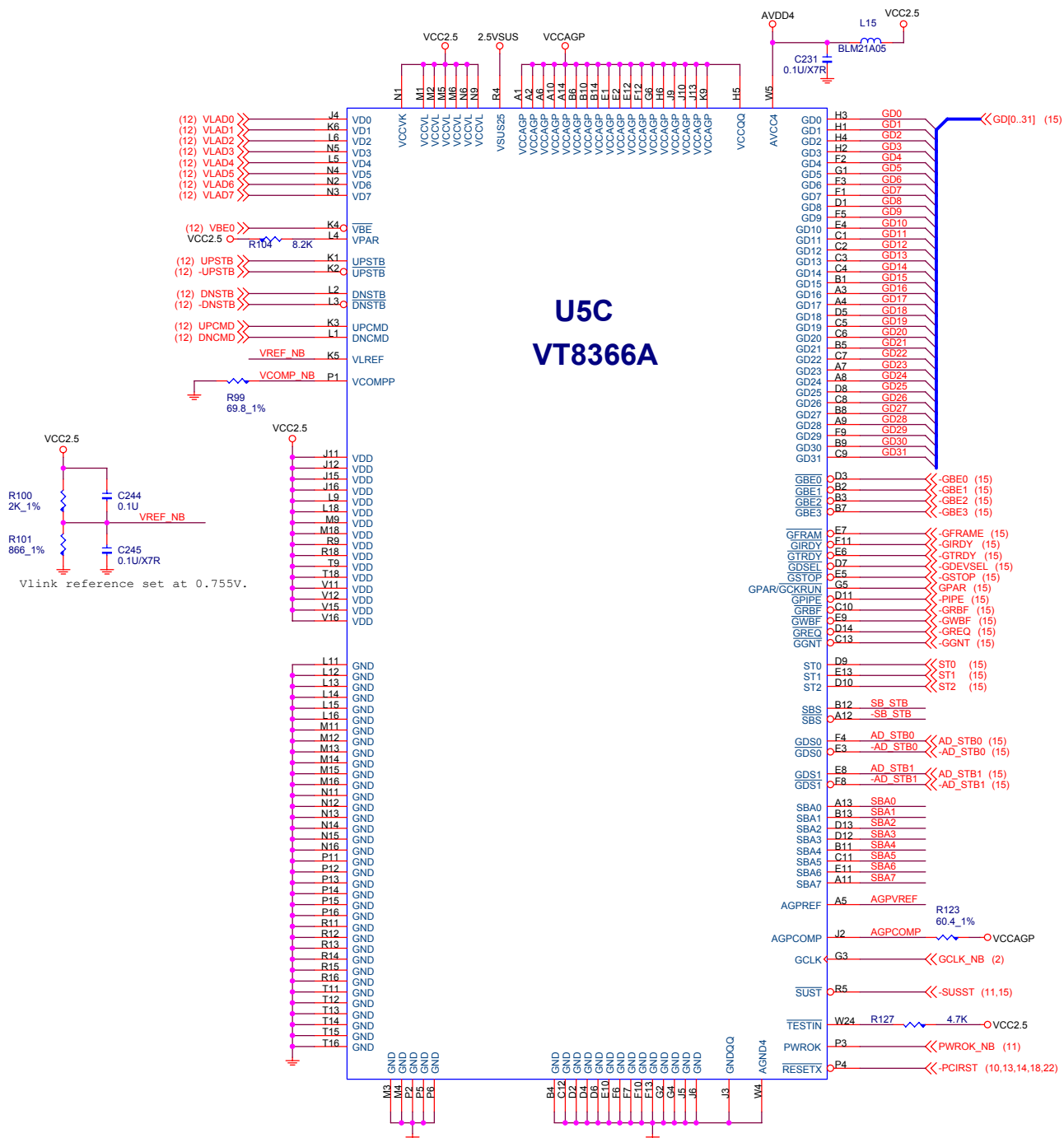
U5B VT8366A



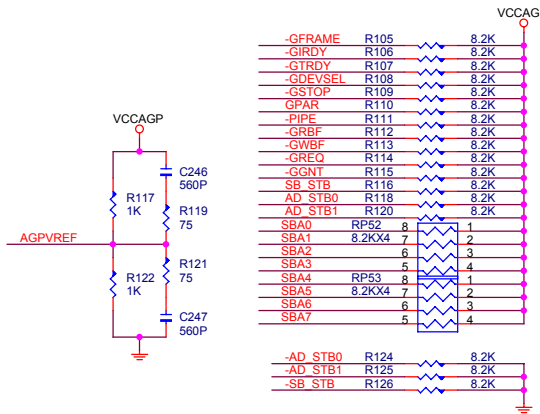
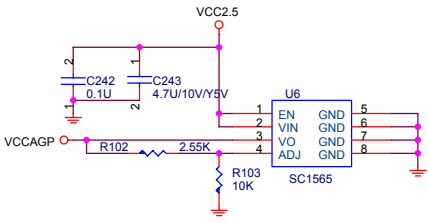
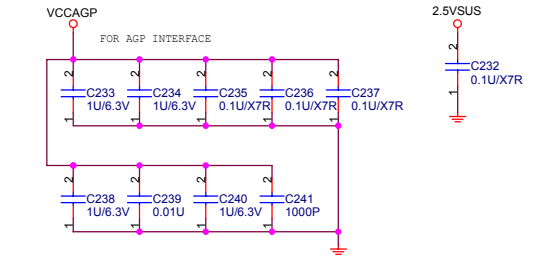
**QUANTA
COMPUTER**

Size: _____ Document Number: **NE5 Main Board** Rev: **2A**

Date: 星期三, 十二月 11, 2002 Sheet: 7 of 31

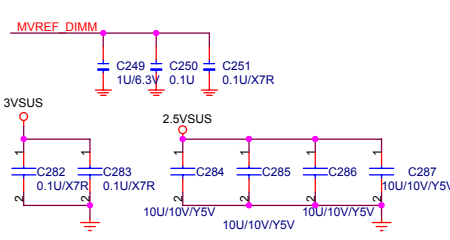
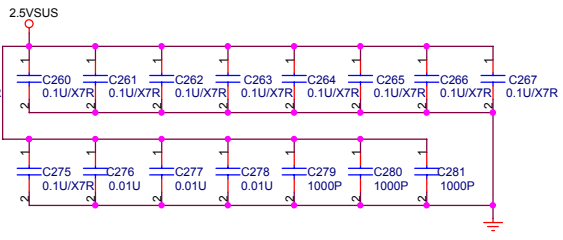
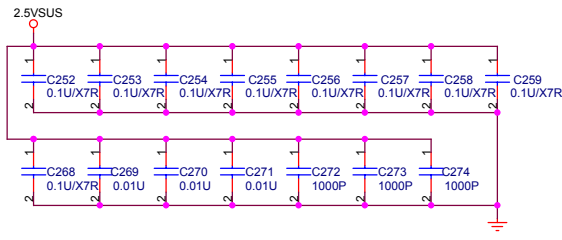
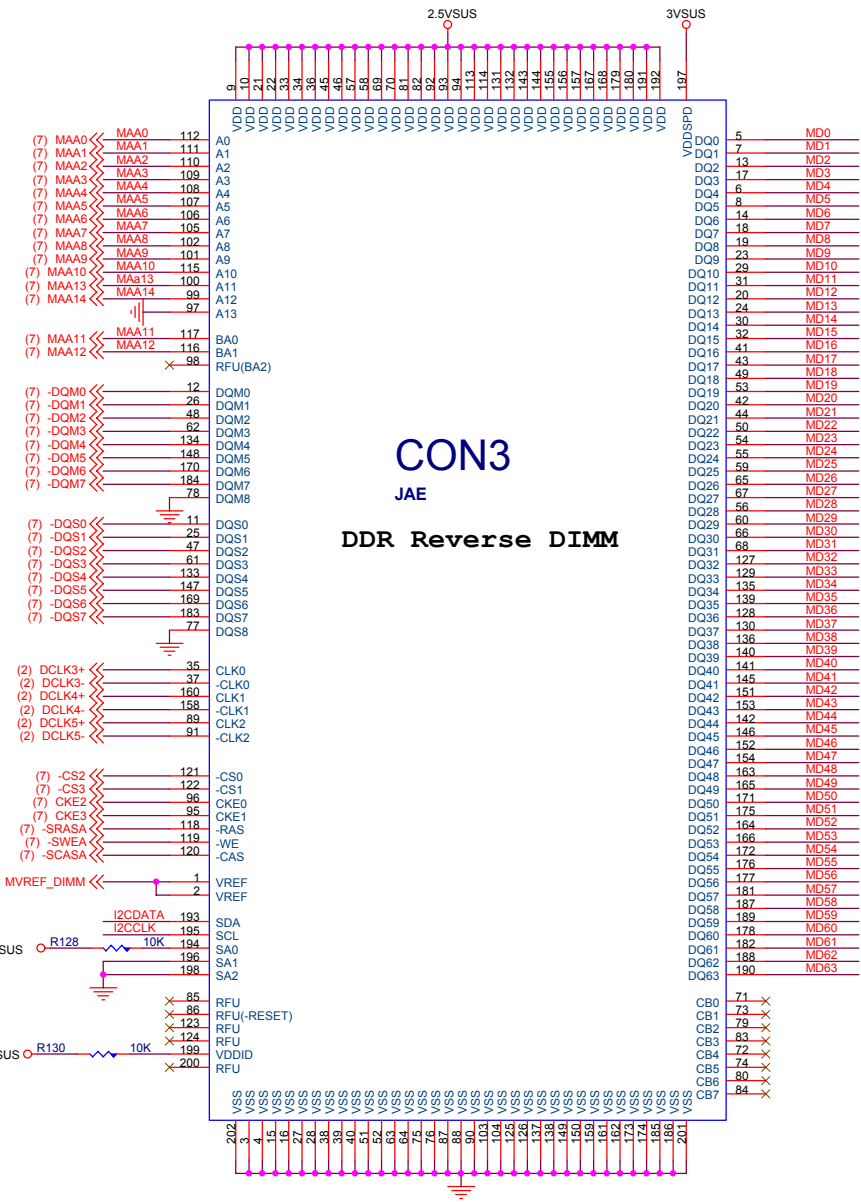
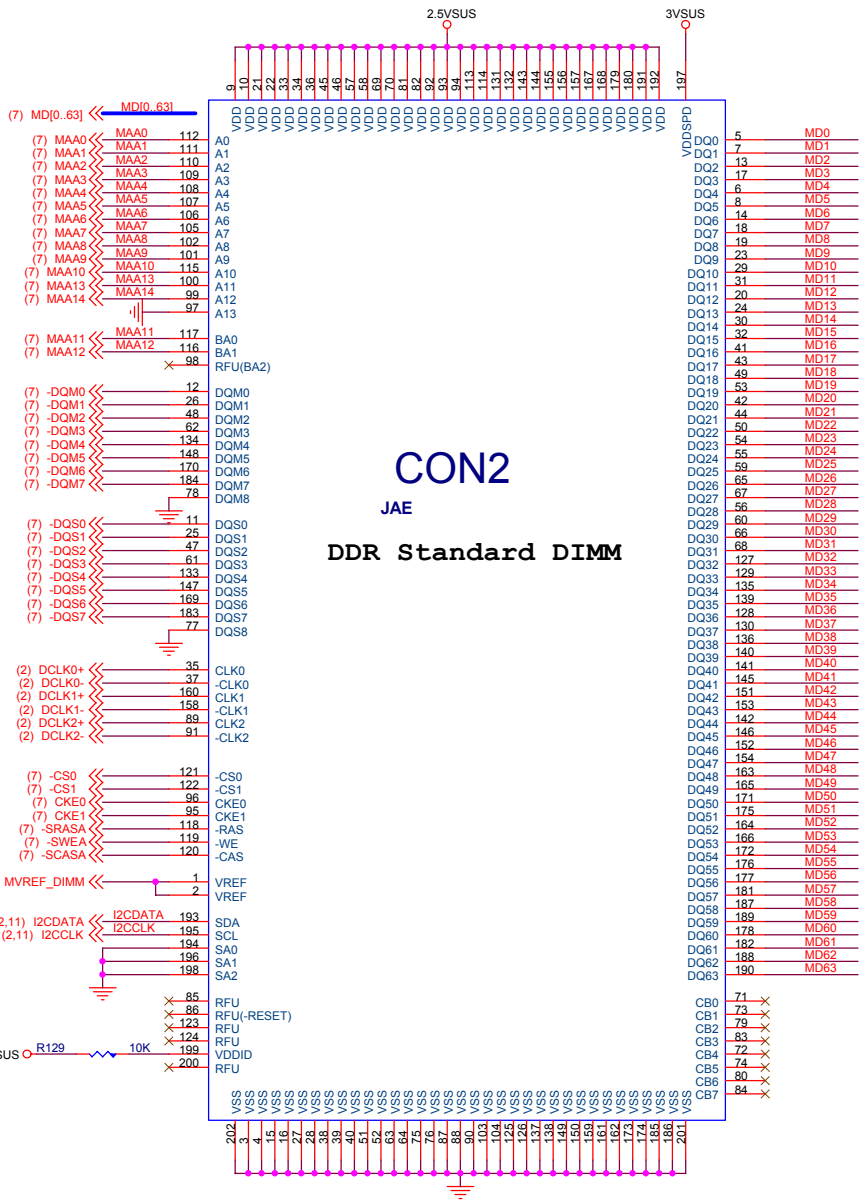


**U5C
VT8366A**



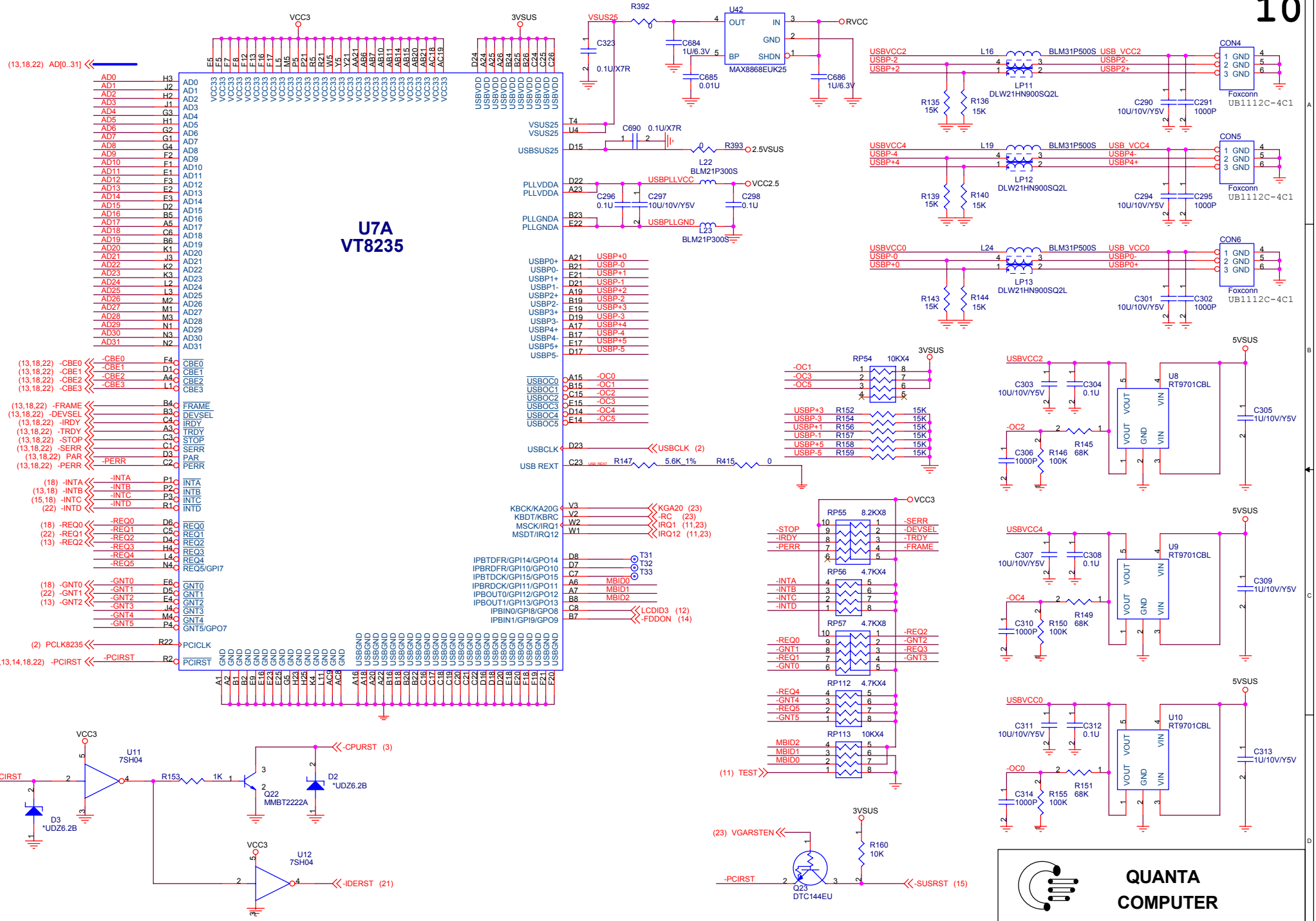
**QUANTA
COMPUTER**

Size	Document Number	Rev
	NE5 Main Board	3C
Date:	星期四, 十二月 12, 2002	Sheet 8 of 31

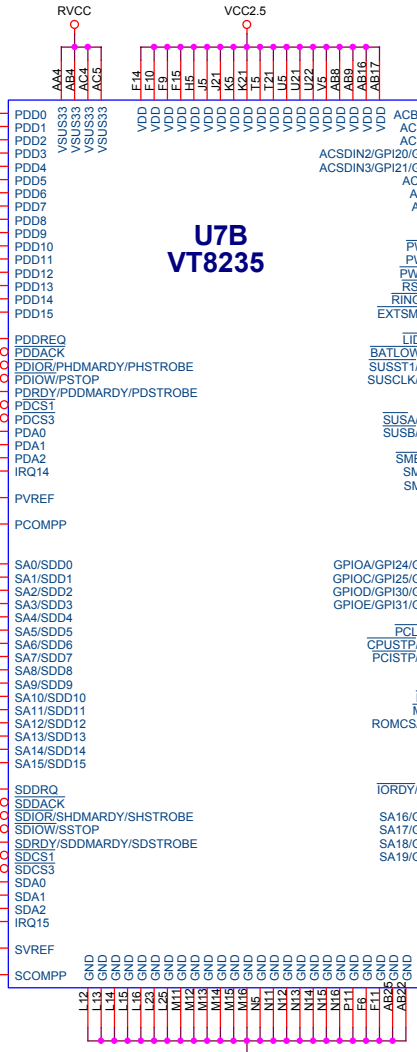


**QUANTA
COMPUTER**

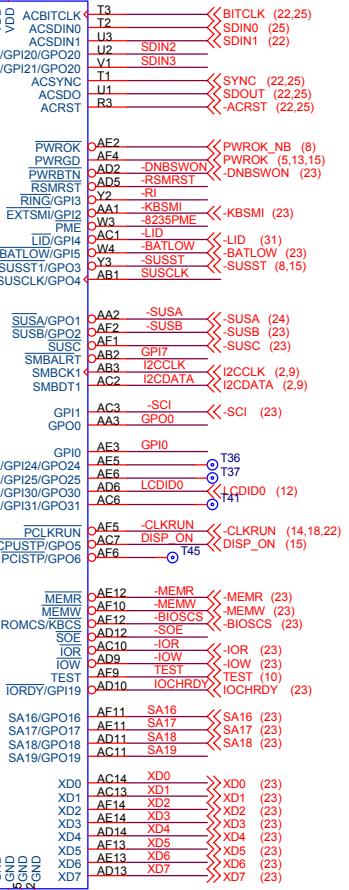
Size	Document Number	Rev
	NE5 Main Board	2A
Date:	日期: 十二月 11, 2002	Sheet 9 of 31



(21) PDD[0..15]
(21) SDD[0..15]
(23) SA[0..15]



U7B
VT8235

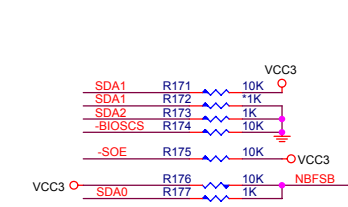
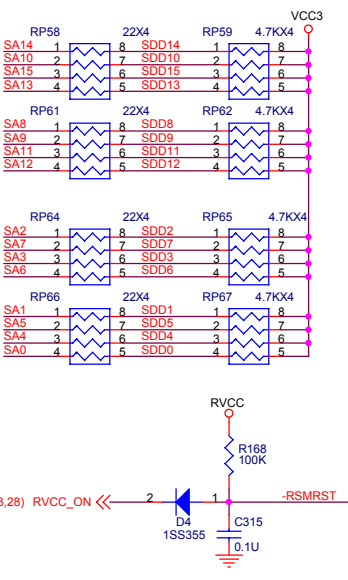
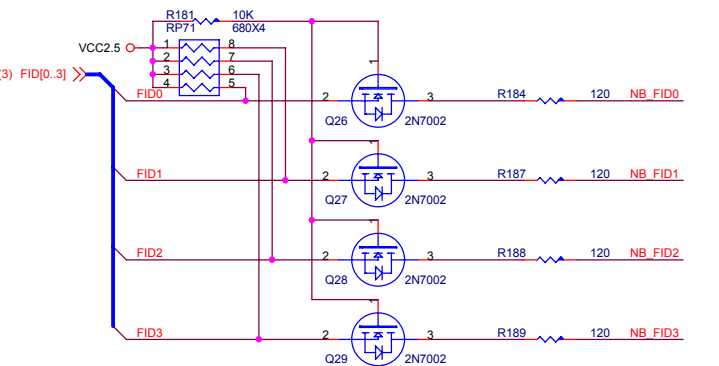
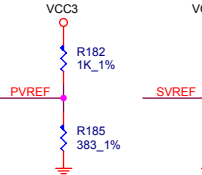


(21) PDDREQ
(21) PDDACK
(21) PDIOR
(21) PDIOV
(21) PIORDY
(21) PDCS1
(21) PDCS3
(21) PDA0
(21) PDA1
(21) PDA2
(21) IRQ14

SDD0
SDD1
SDD2
SDD3
SDD4
SDD5
SDD6
SDD7
SDD8
SDD9
SDD10
SDD11
SDD12
SDD13
SDD14
SDD15

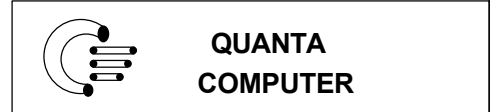
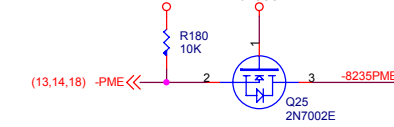
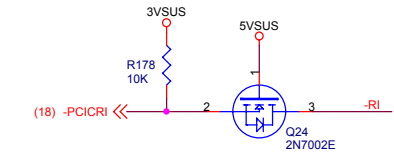
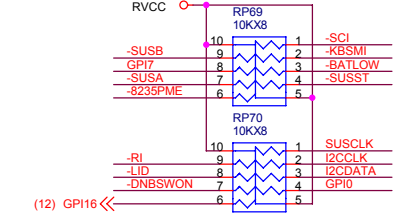
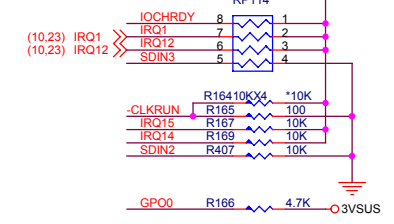
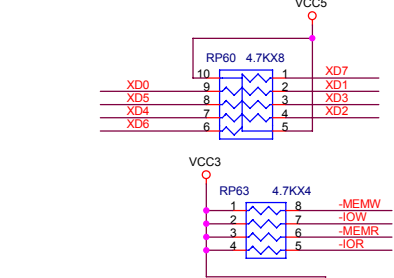
(21) SDDREQ
(21) SDDACK
(21) SDIOR
(21) SDIOV
(21) SIORDY
(21) SDCS1
(21) SDCS3
(21) SDA0
(21) SDA1
(21) SDA2
(21) IRQ15

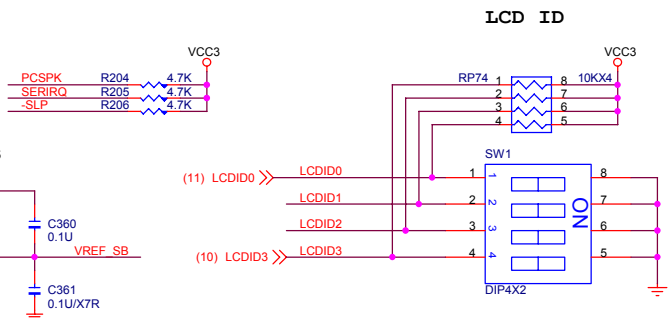
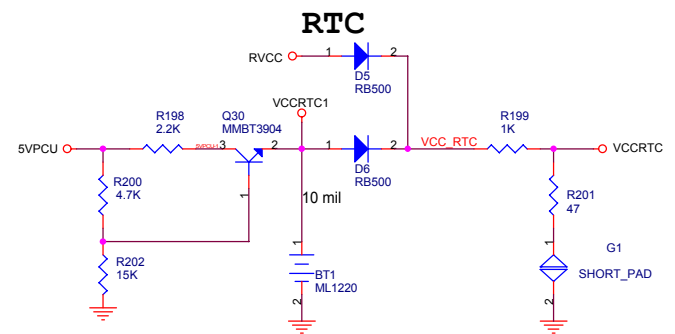
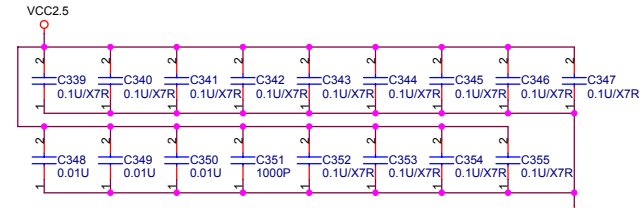
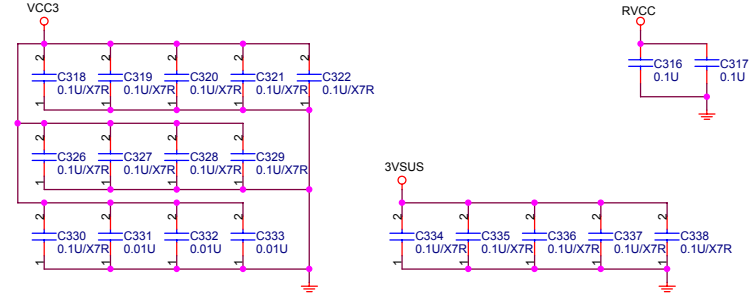
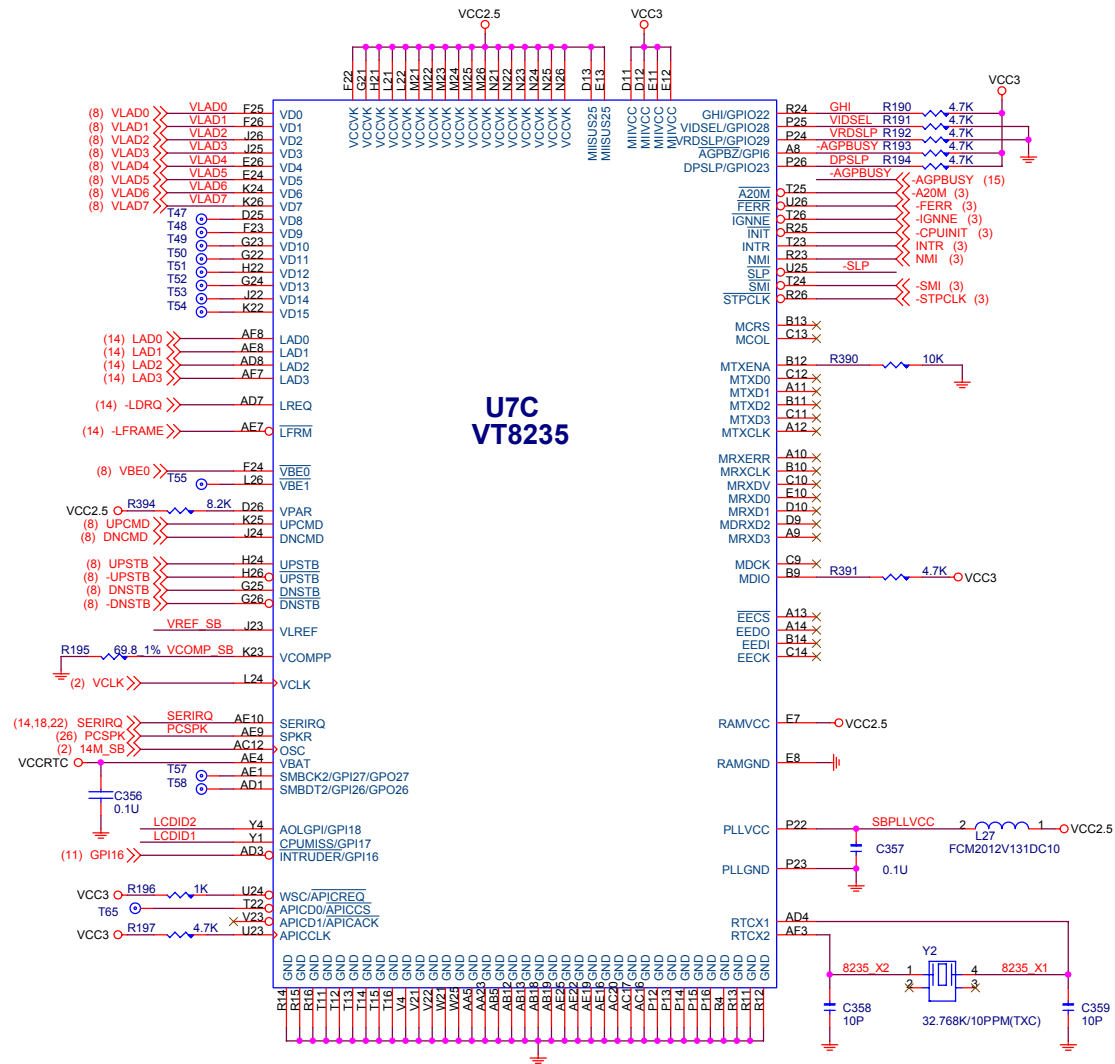
SVREF
SCOMPP



SDA0 => CPU Clock Frequency
SDA1 => Strapping Information Select
SDA2 => North Bridge S2K DQ Select
-ROMCS => LPC ROM Select
-SOE => Auto Reboot Select

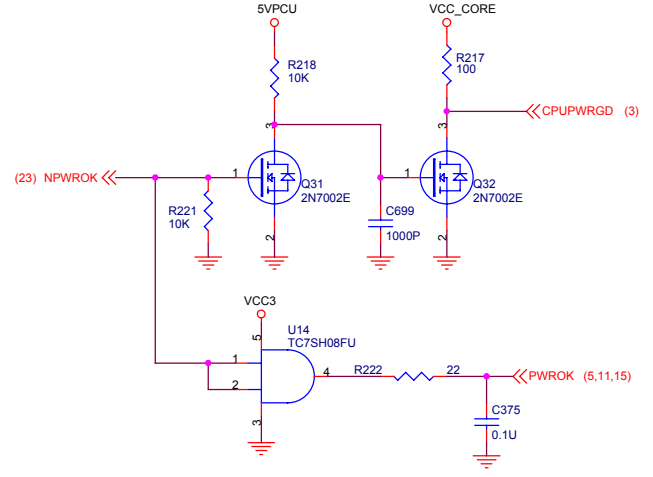
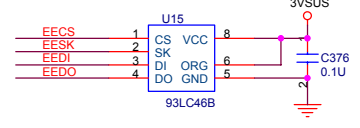
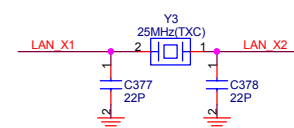
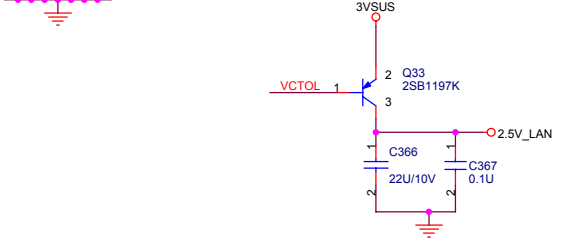
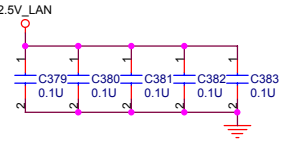
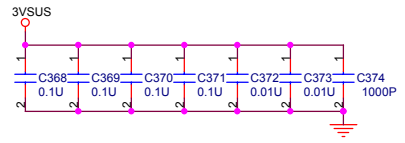
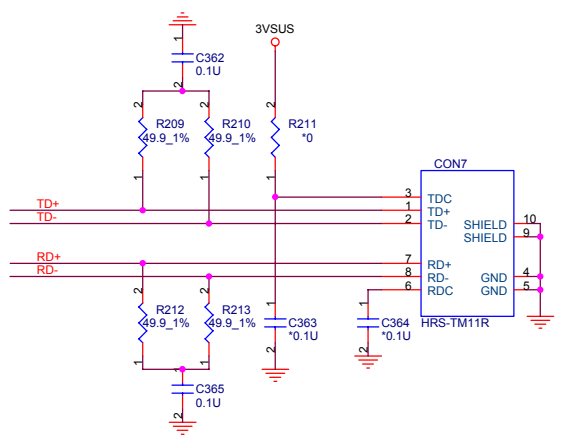
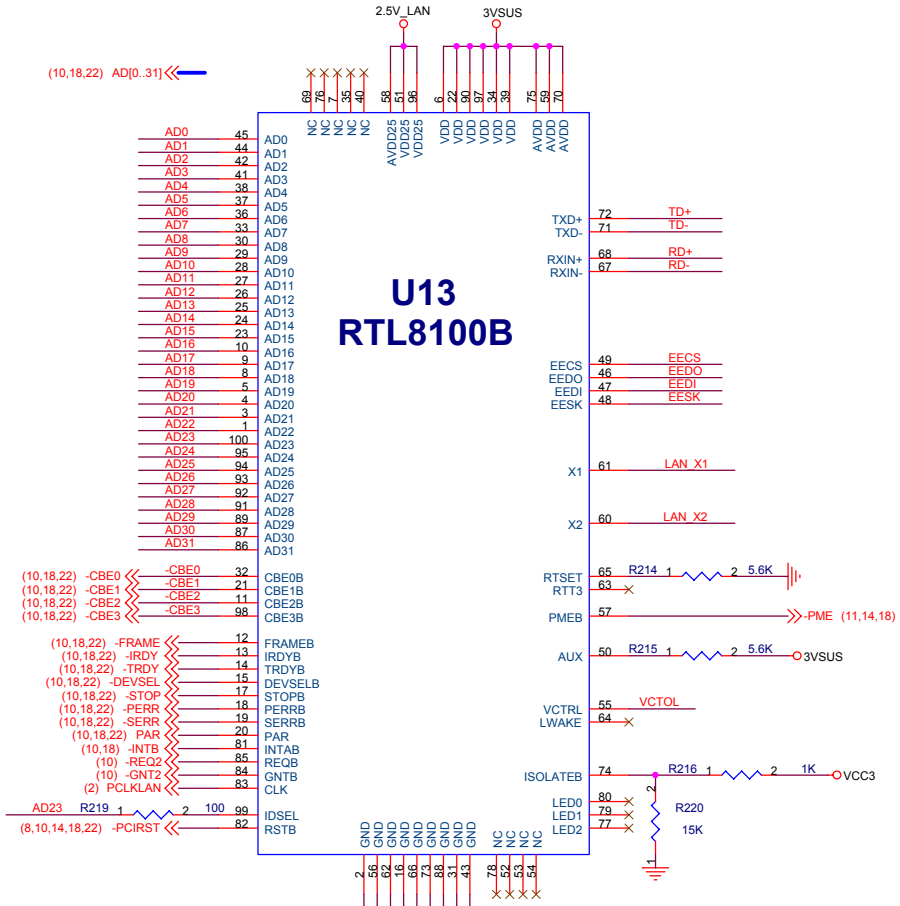
Power Up Strappings :
SA[19:16] => CPU Clock Divider
0000 11 1000
0001 11.5 1001 7.5
0010 12 1010 8
0011 12.5 1011 8.5
0100 5 1100 9
0101 5.5 1101 9.5
0110 6 1110 10
0111 6.5 1111 10.5





QUANTA COMPUTER

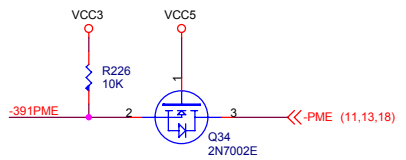
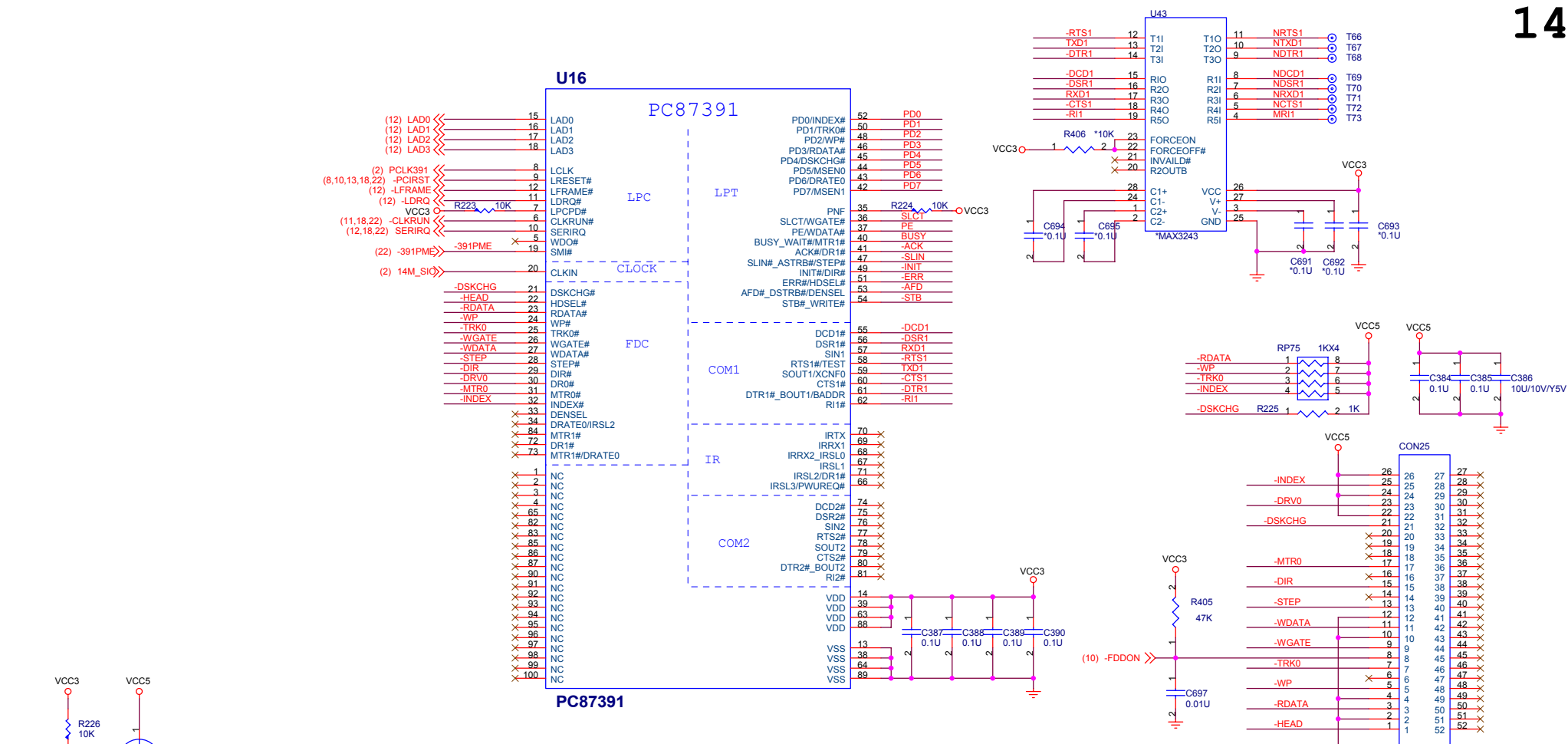
Size	Document Number	Rev
	NE5 Main Board	2A
Date:	日期: 十二月 11, 2002	Sheet 12 of 31



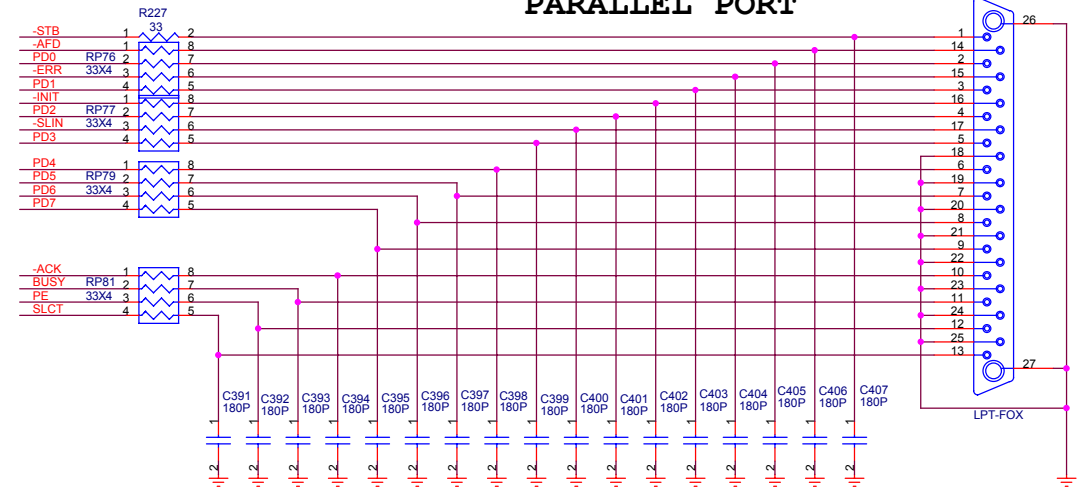
QUANTA COMPUTER

Size: Document Number: NE5 Main Board Rev: 3B

Date: 2002.11.11 Sheet: 13 of 31

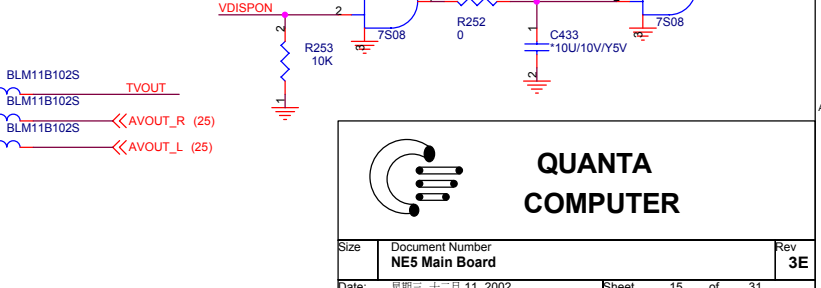
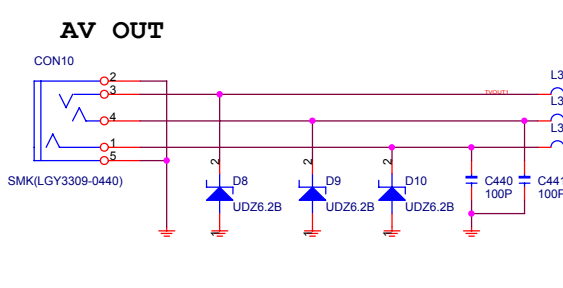
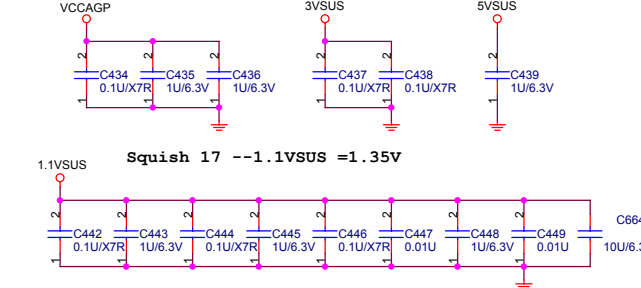
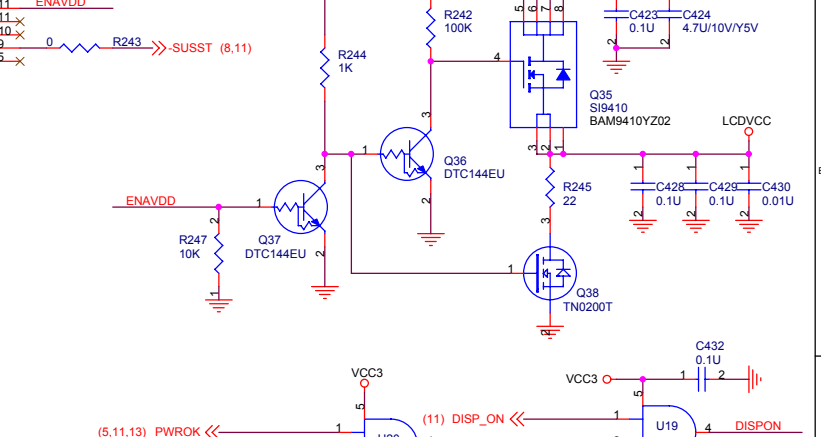
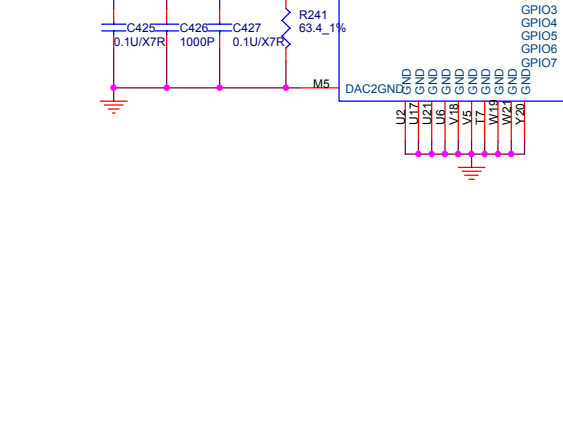
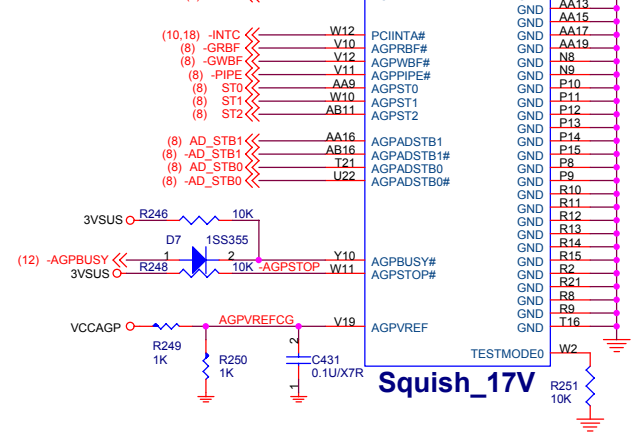
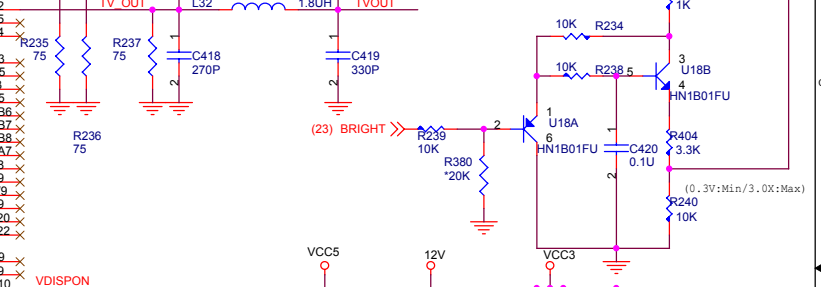
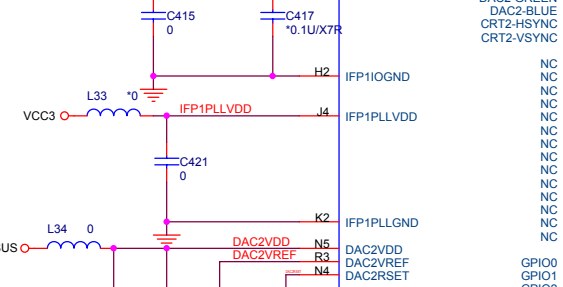
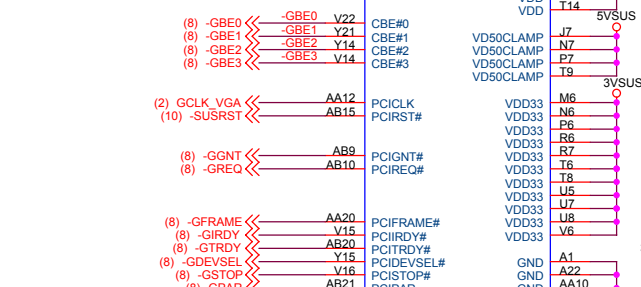
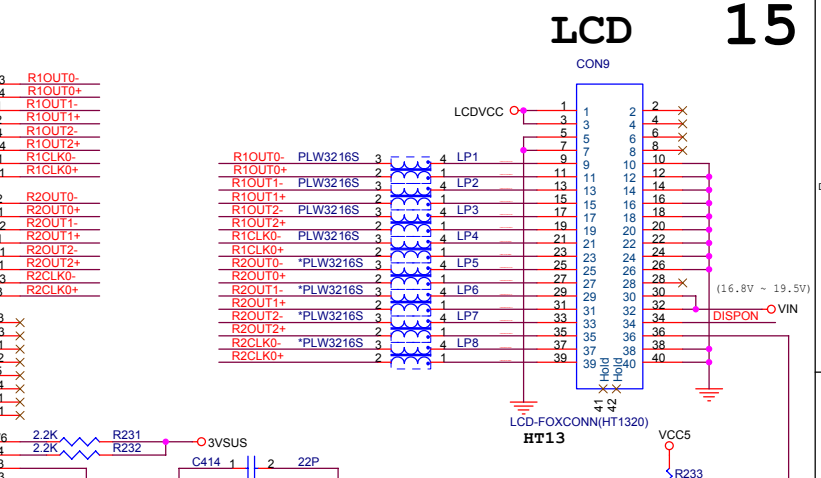
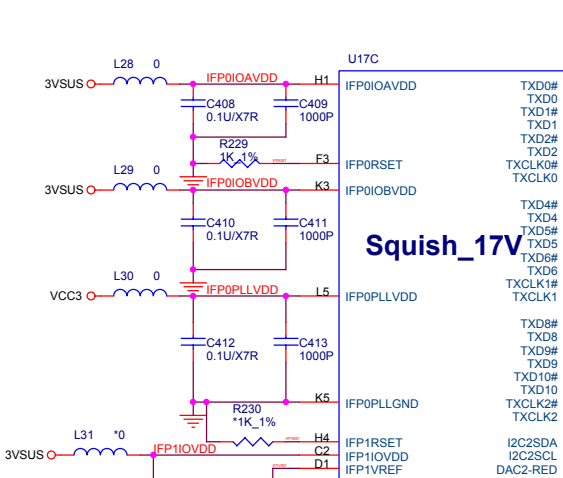
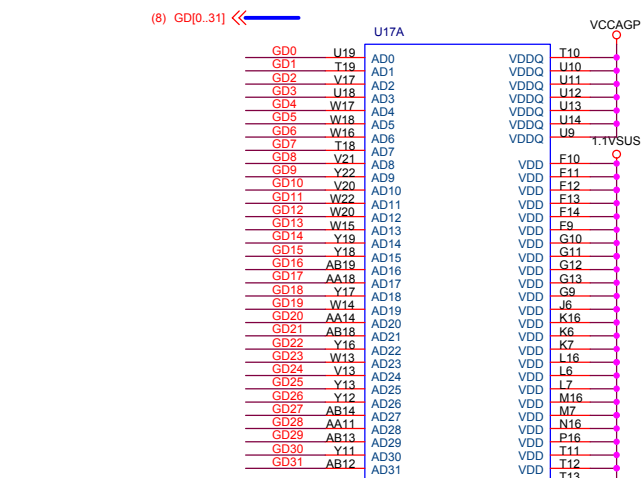


PARALLEL PORT



**QUANTA
COMPUTER**

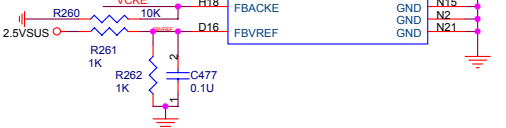
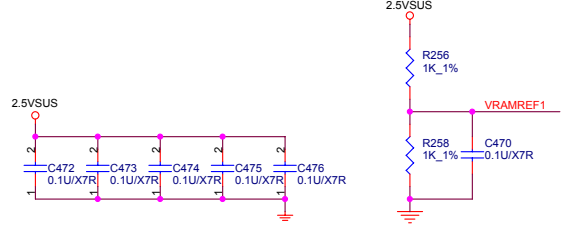
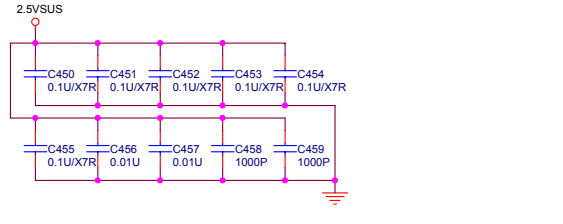
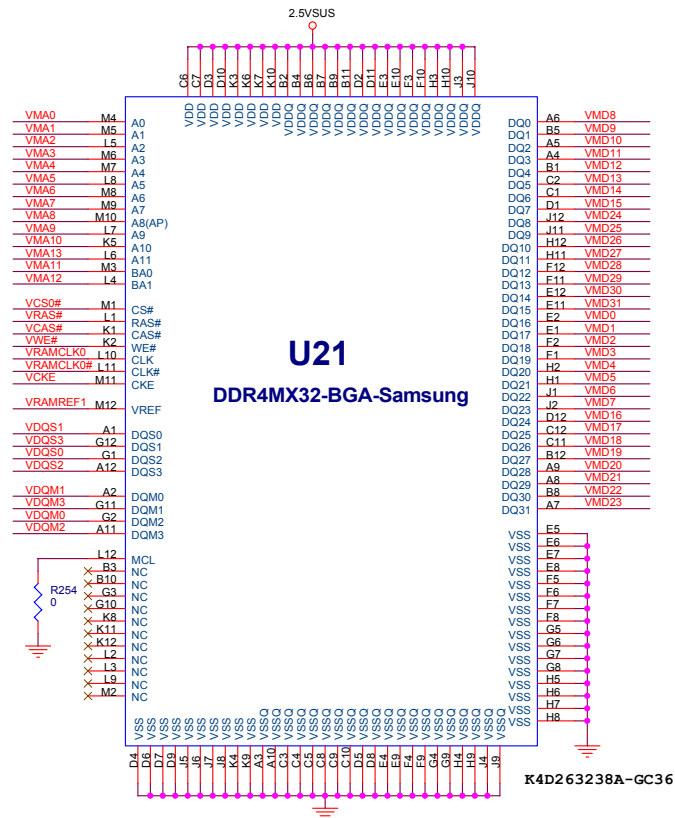
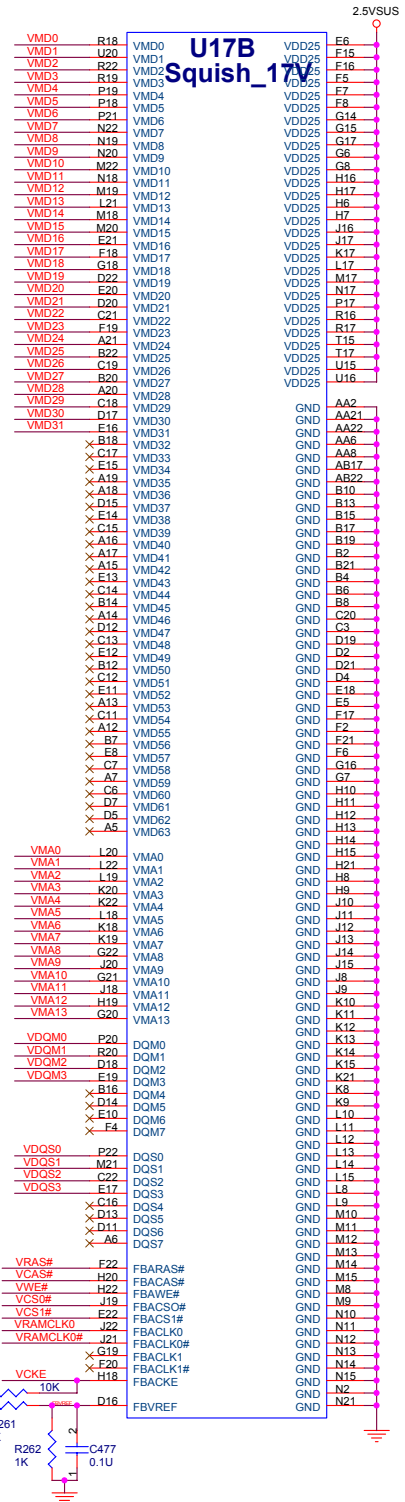
Size	Document Number NE5 Main Board	Rev 2A
Date:	星期三, 十二月 11, 2002	Sheet 14 of 31



QUANTA COMPUTER

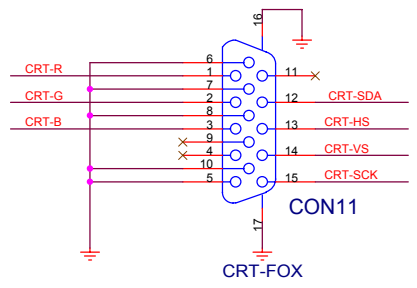
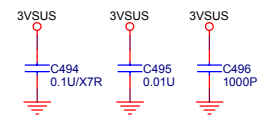
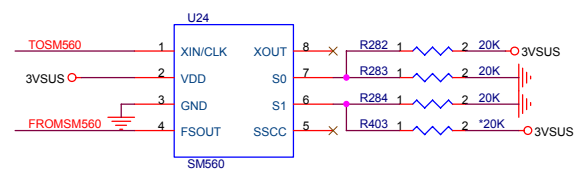
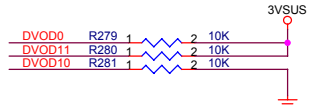
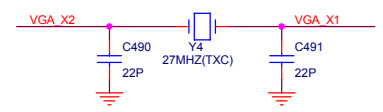
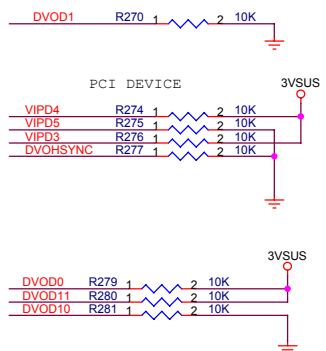
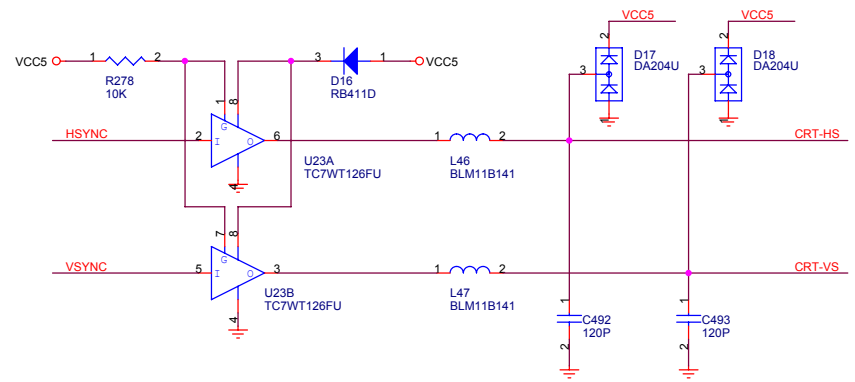
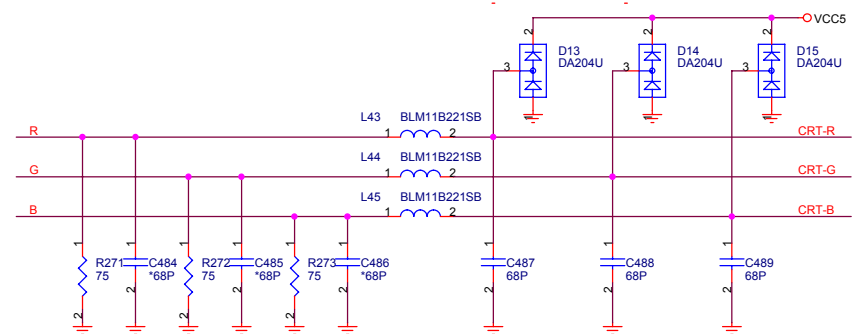
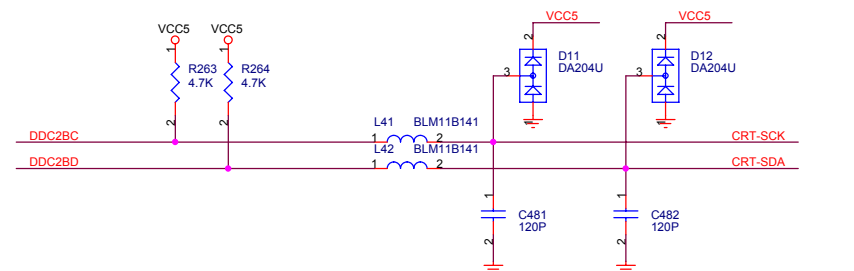
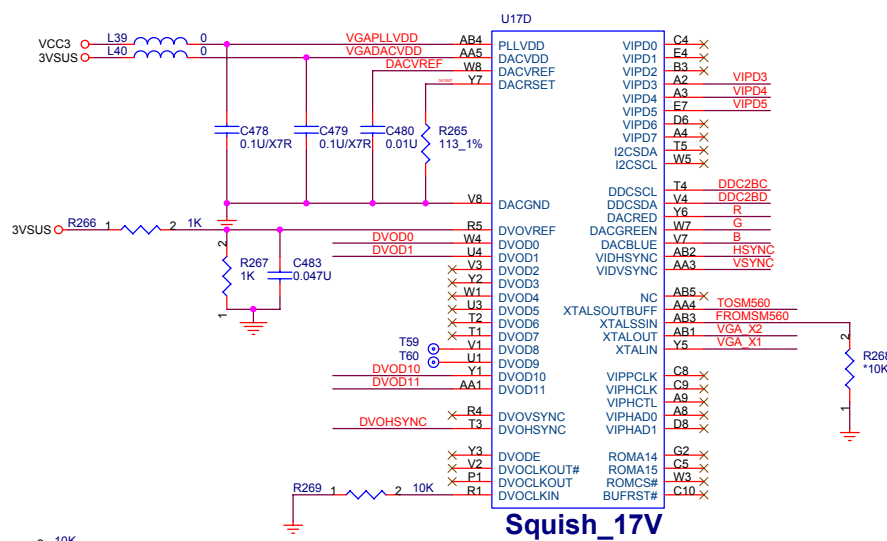
Size: Document Number: **NE5 Main Board** Rev: **3E**

Date: 星期二, 十二月 11, 2002 Sheet: 15 of 31



**QUANTA
COMPUTER**

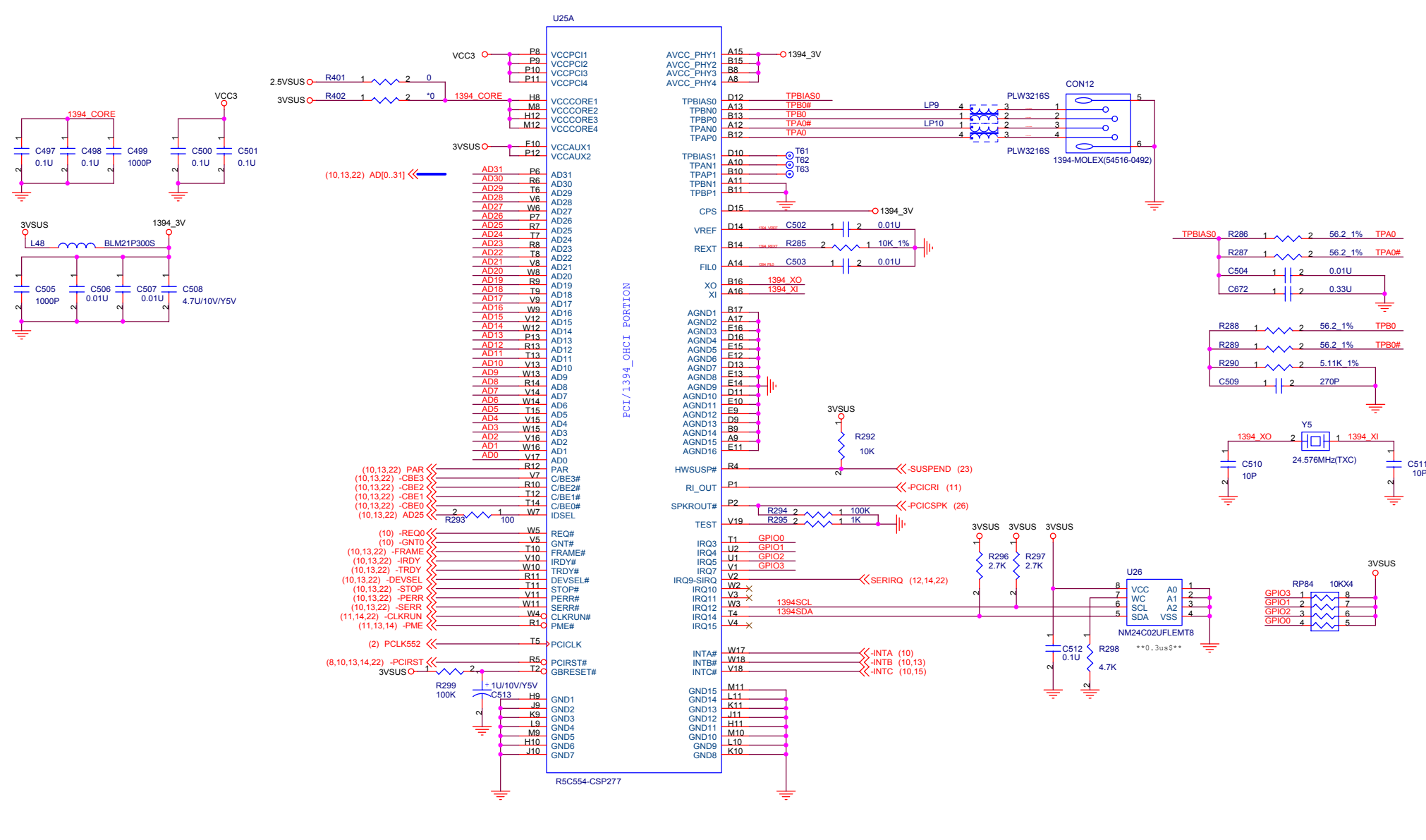
Size	Document Number	Rev
	NE5 Main Board	2A
Date:	星期三, 十二月 11, 2002	Sheet 16 of 31




QUANTA COMPUTER

Size: Document Number: NE5 Main Board Rev: 3B

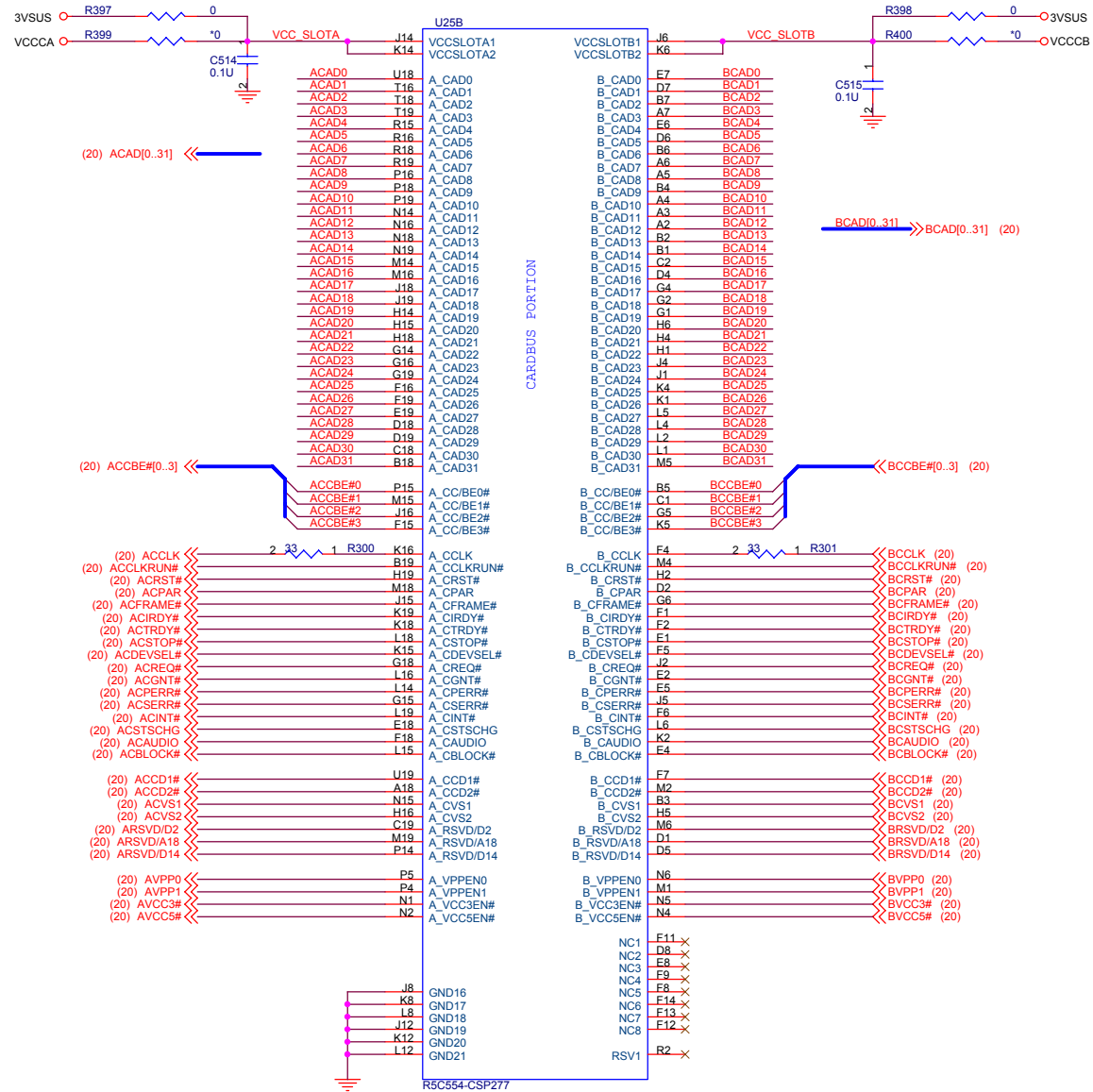
Date: 2002.11.11 Sheet: 17 of 31





**QUANTA
COMPUTER**

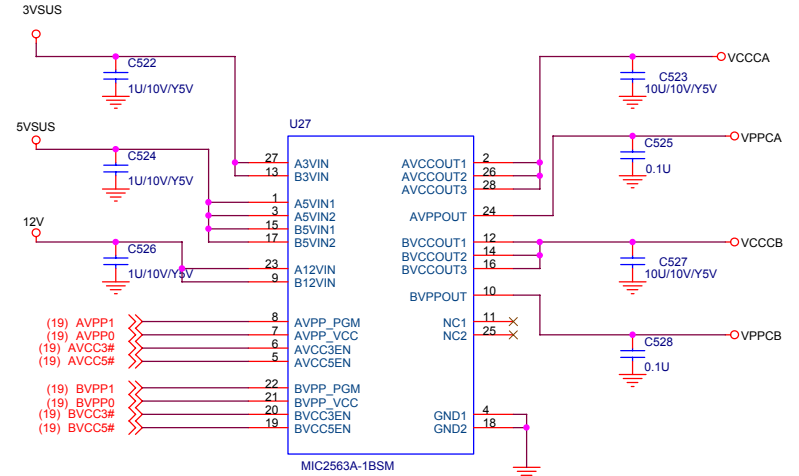
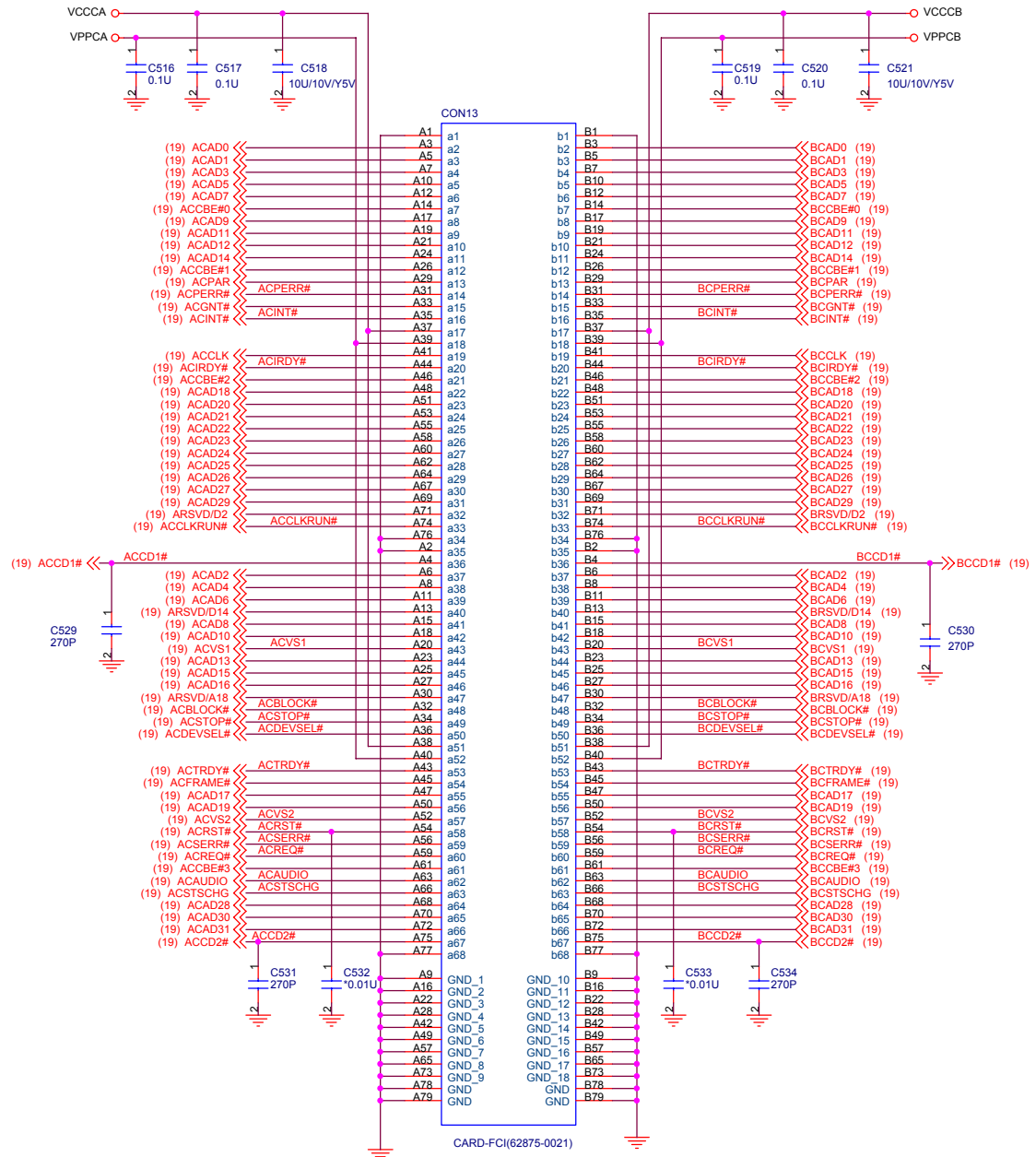
Size	Document Number	Rev
	NE5 Main Board	2A
Date:	星期三, 十二月 11, 2002	Sheet 18 of 31



**QUANTA
COMPUTER**

Size	Document Number NE5 Main Board	Rev 1A
Date:	星期三, 十二月 11, 2002	Sheet 19 of 31

(19) ACAD[0..31] <<



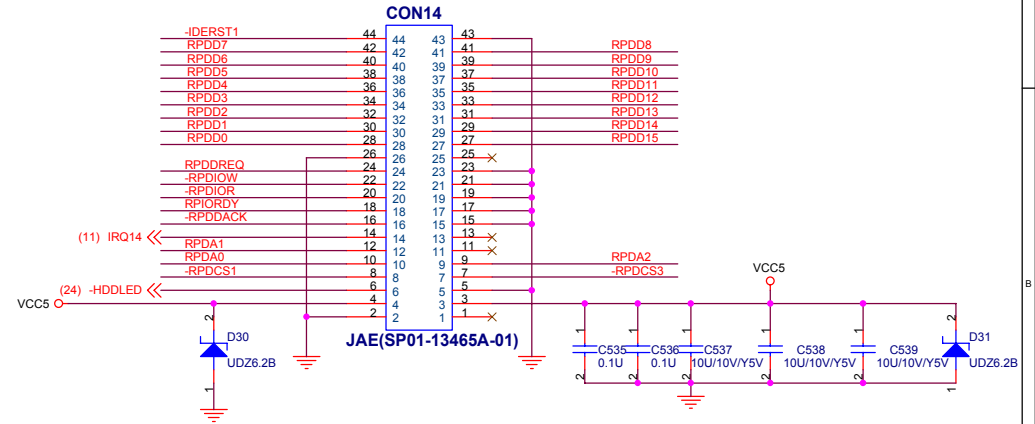
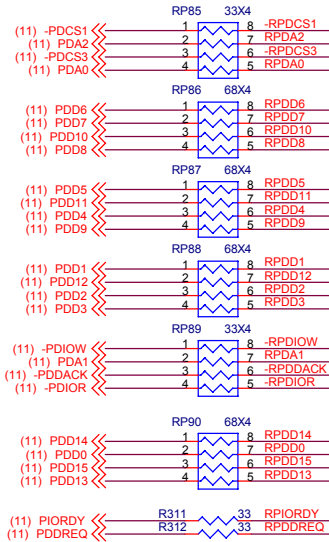
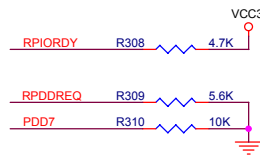
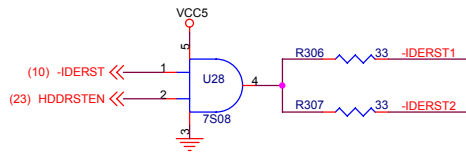
QUANTA COMPUTER

Size: Document Number: **NE5 Main Board** Rev: **1A**

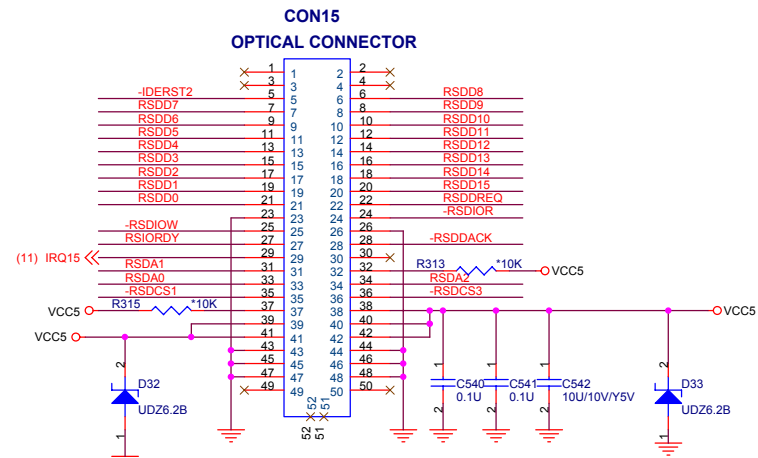
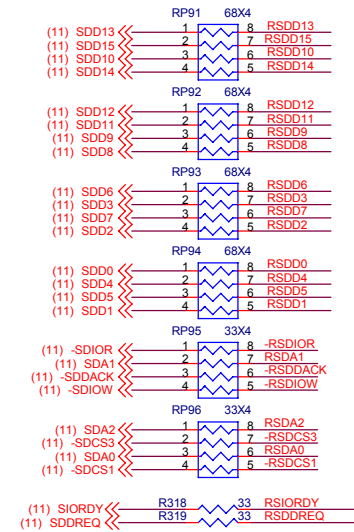
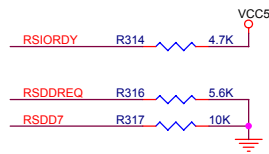
Date: 星期二, 十二月 11, 2002 Sheet: 20 of 31

(11) PDD[0..15] <<= <<=
(11) SDD[0..15] <<= <<=

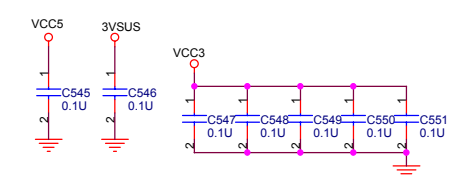
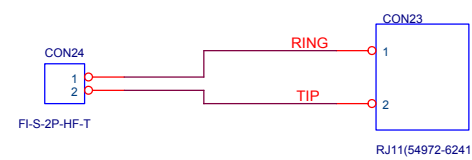
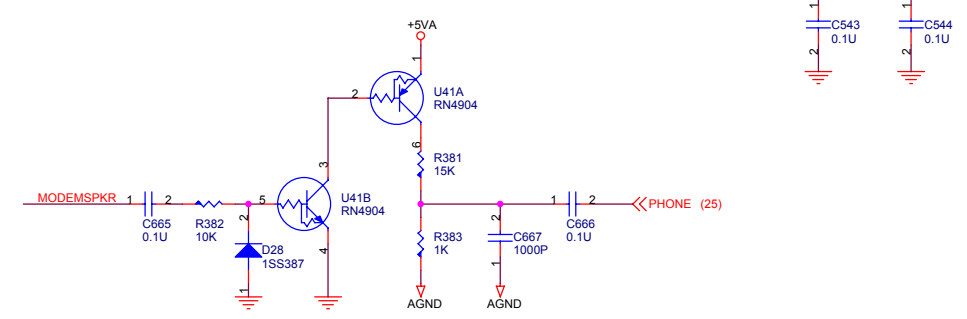
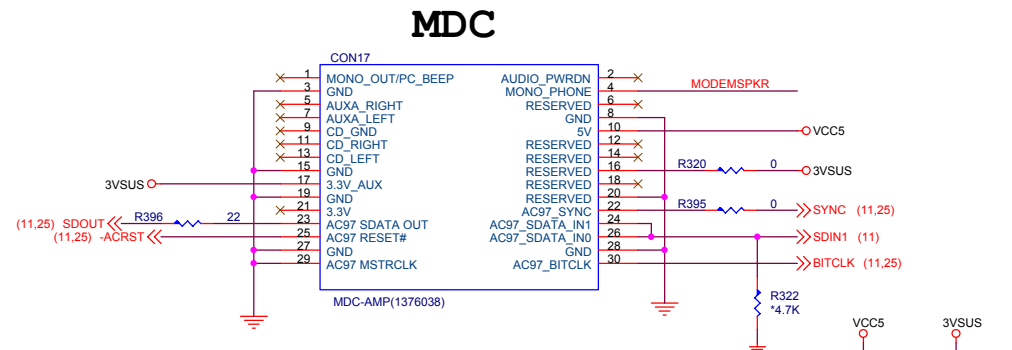
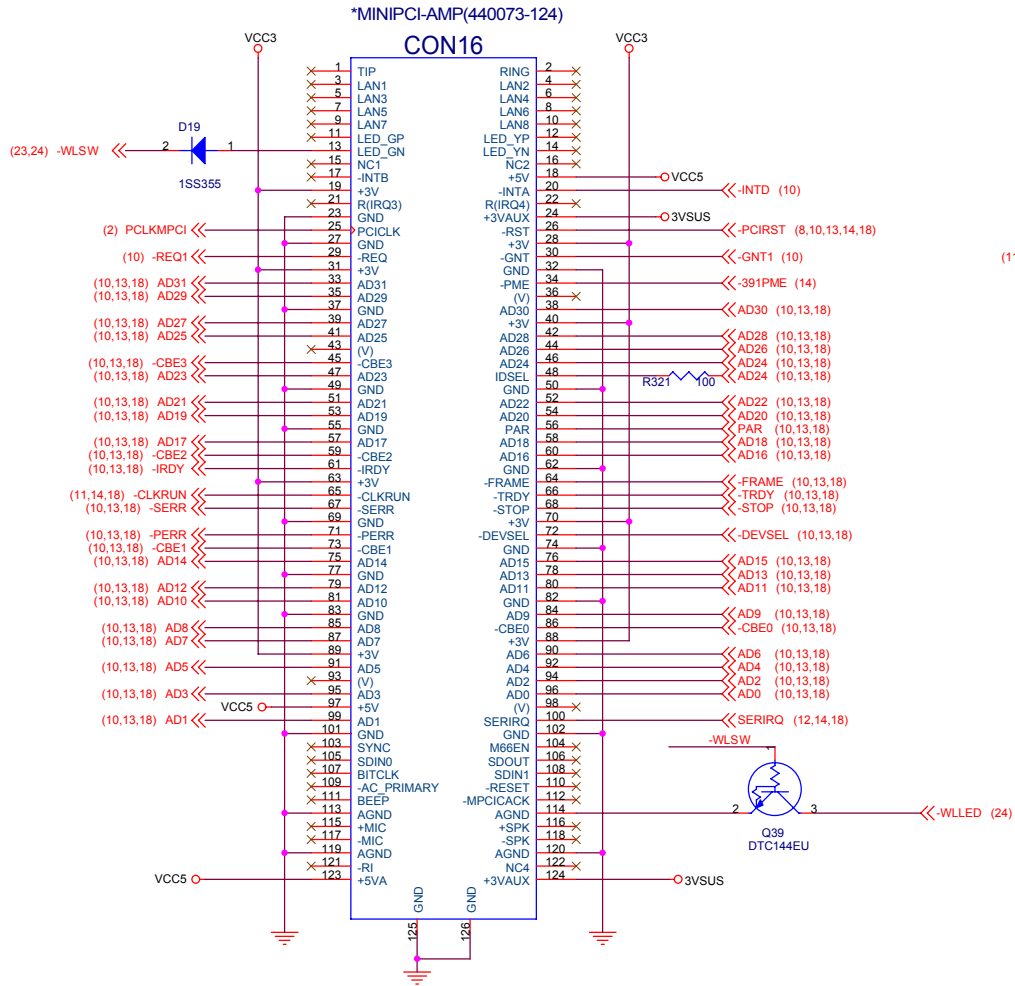
HDD CONNECTOR



CD-ROM CONNECTOR

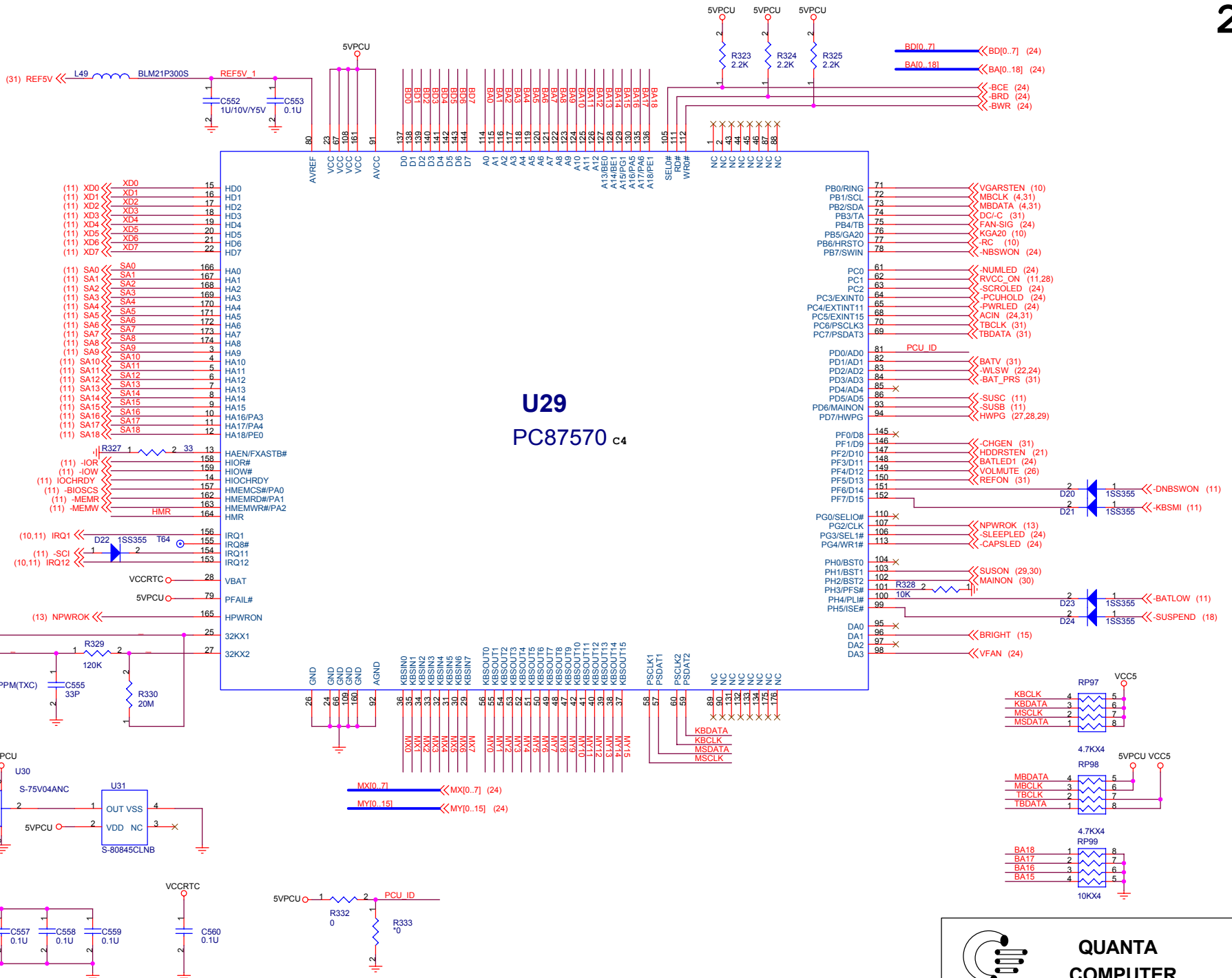


QUANTA COMPUTER logo and document information: NE5 Main Board, 3B, Date: 2002.11.11, Sheet 21 of 31



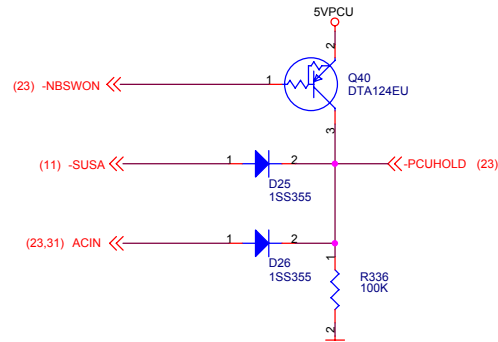
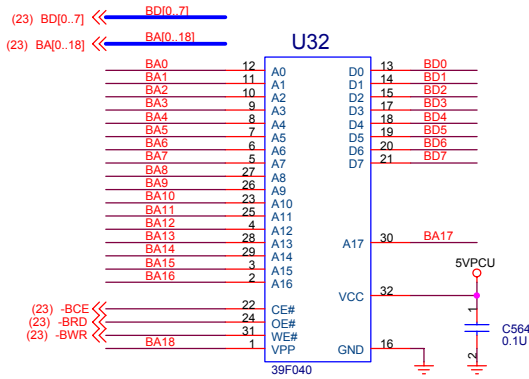
**QUANTA
COMPUTER**

Size	Document Number	Rev
	NE5 Main Board	3E
Date:	日期: 十二月 11, 2002	Sheet 22 of 31

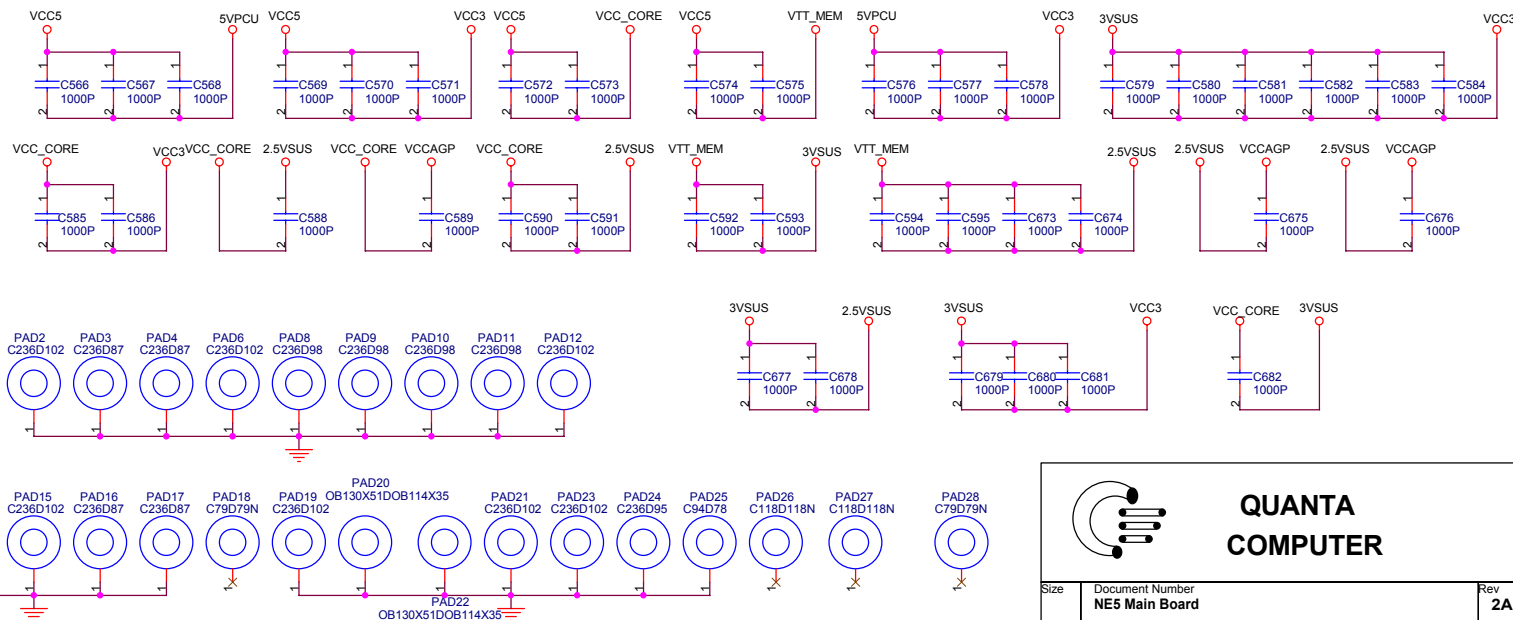
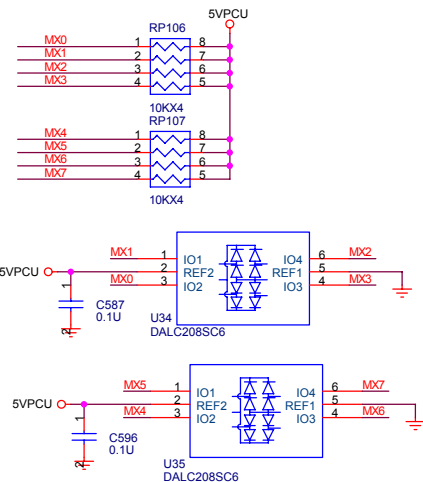
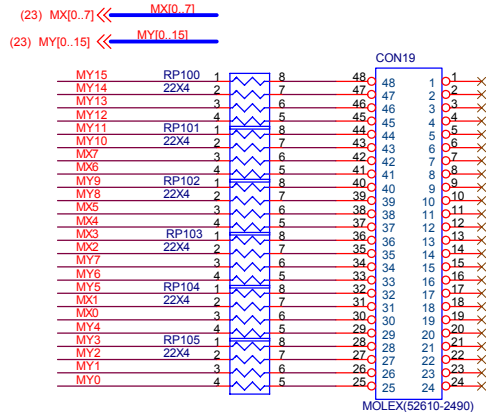
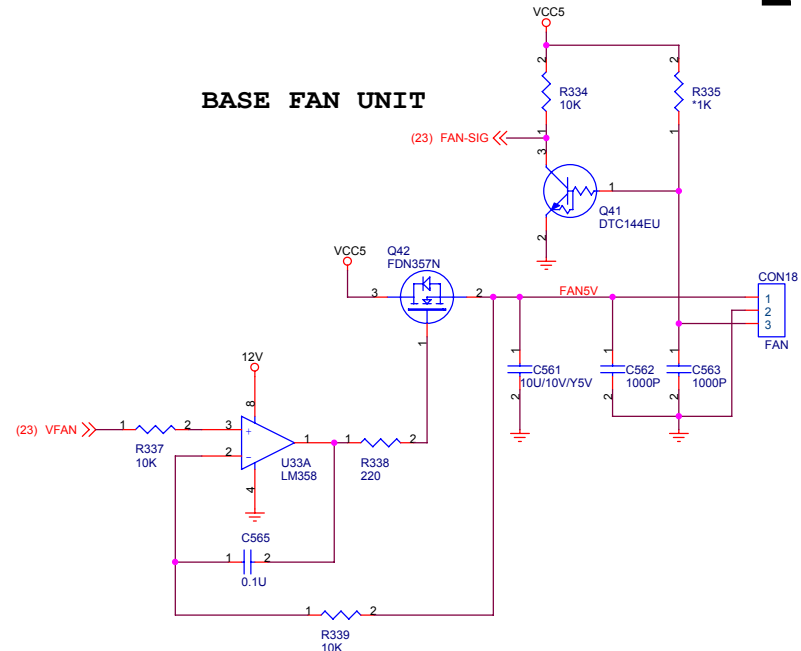
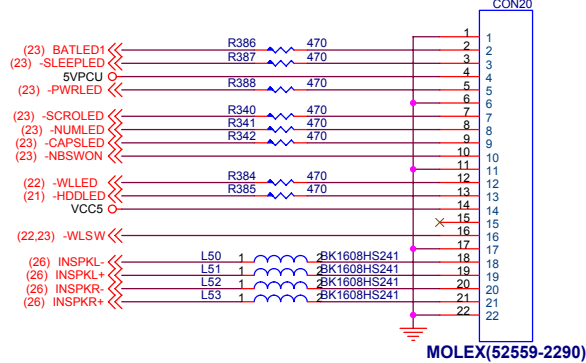


**QUANTA
COMPUTER**

Size	Document Number	Rev
	NE5 Main Board	2A
Date:	日期: 十二月 11, 2002	Sheet 23 of 31



POWER SWITCH BOARD CONNECTOR

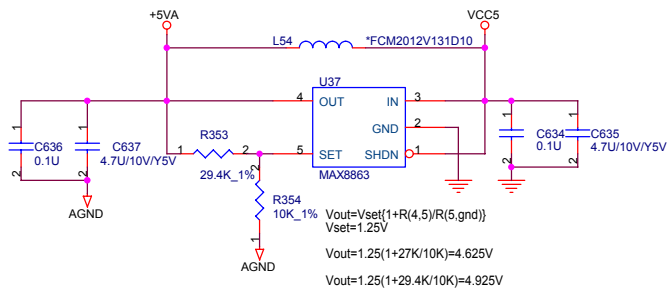
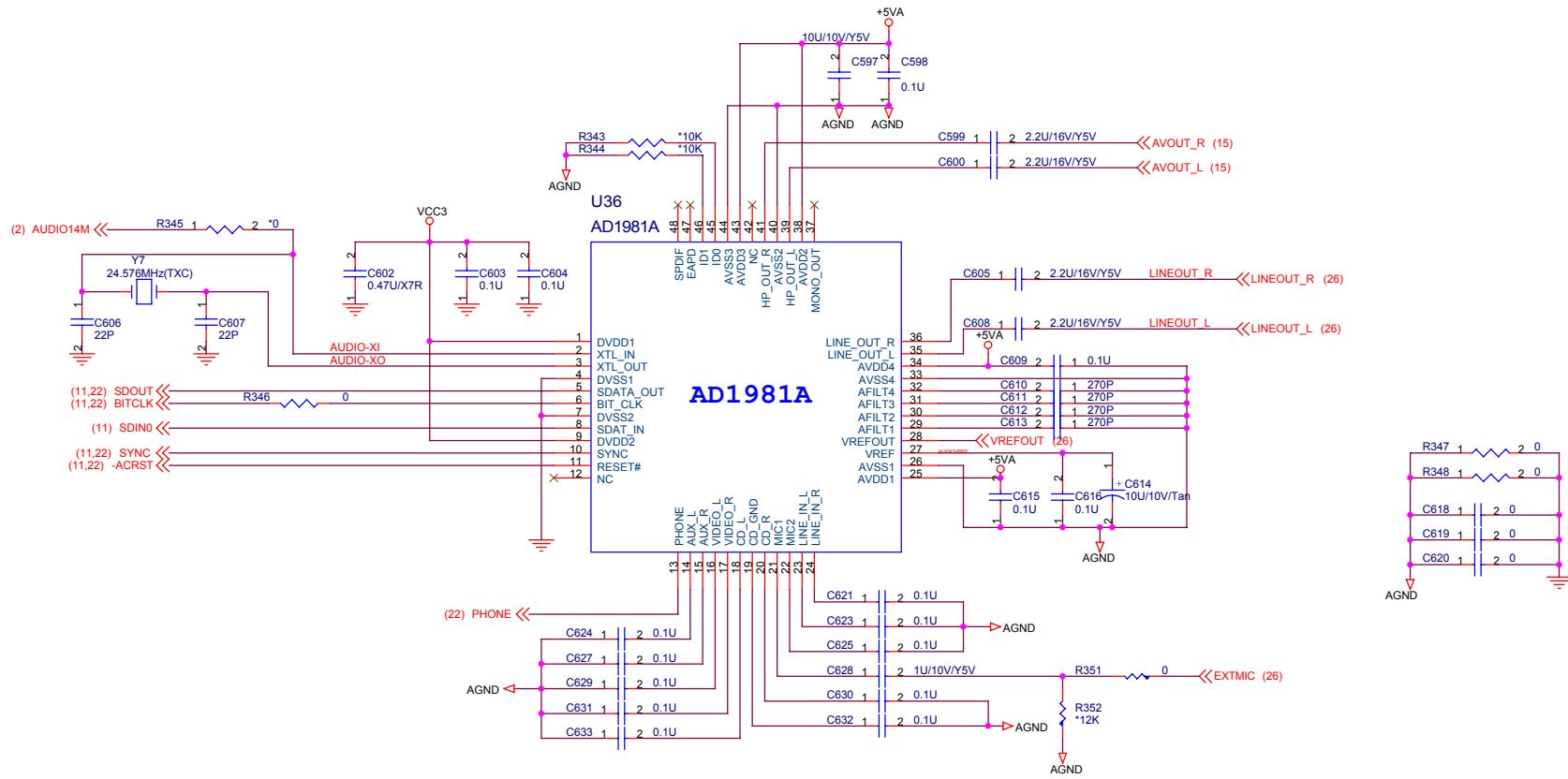


QUANTA COMPUTER

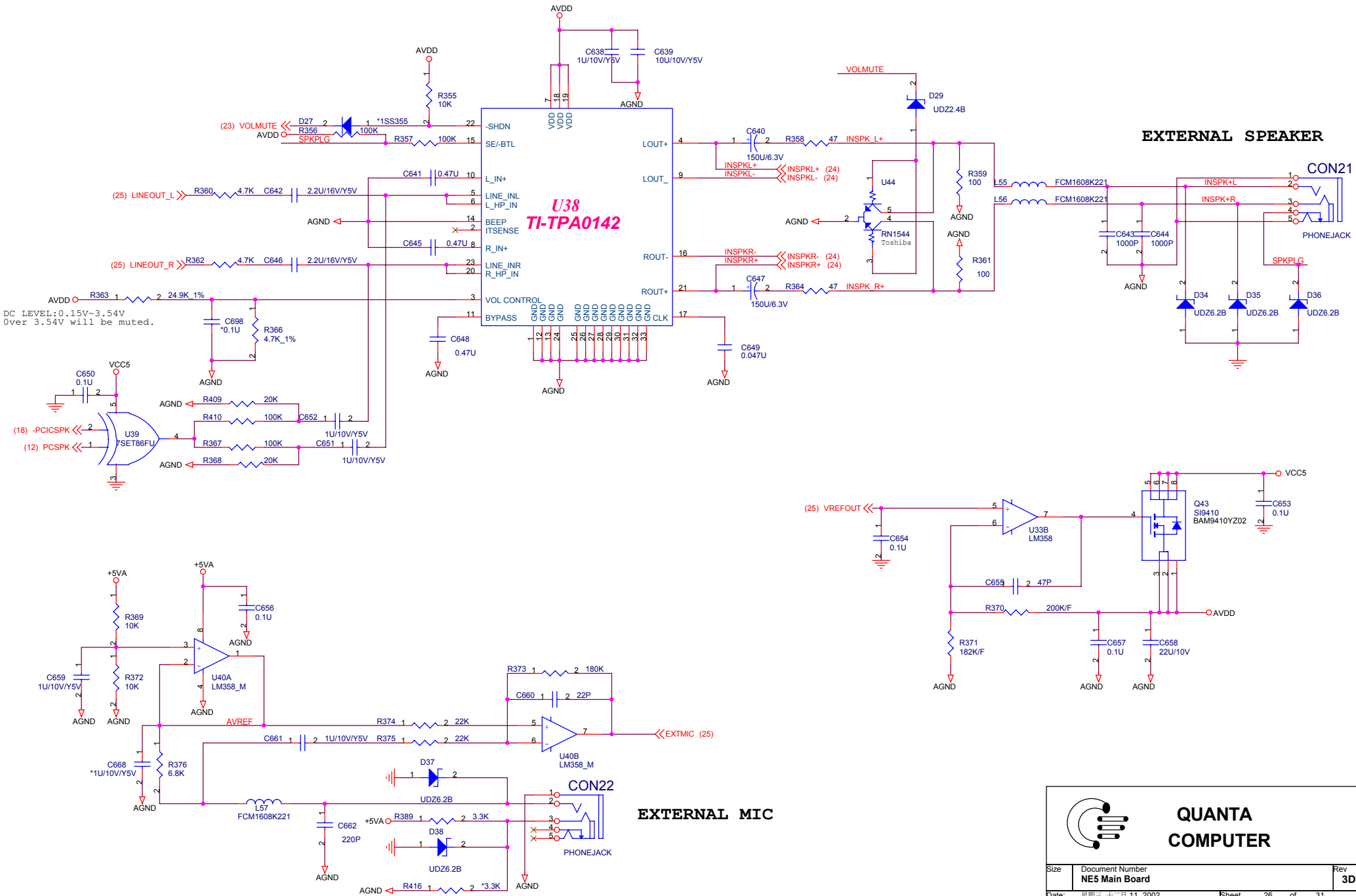
Size Document Number
NE5 Main Board

Date: 2002.11.11 星期二 Sheet 24 of 31

Rev 2A

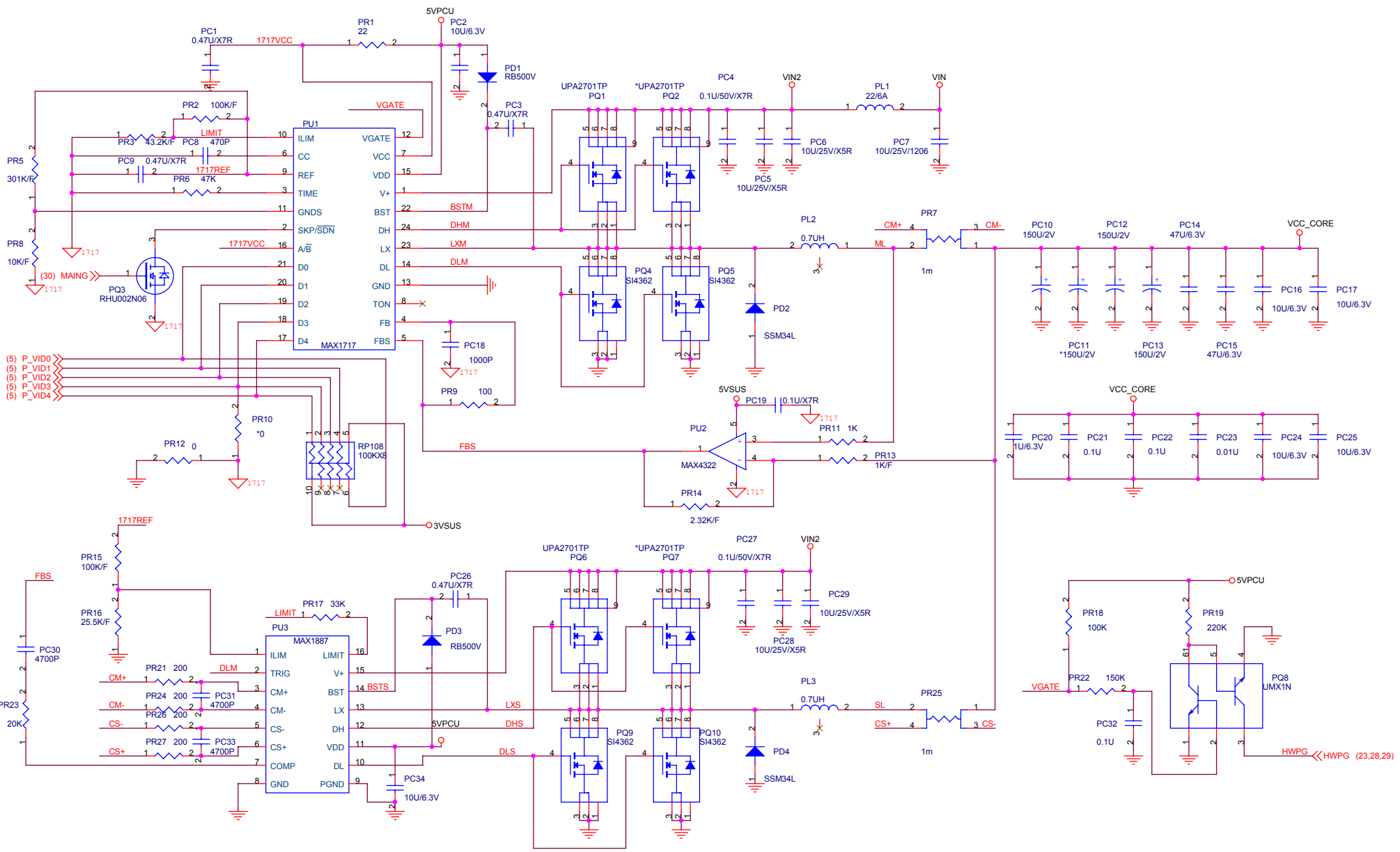



Audio amplifier



**QUANTA
COMPUTER**

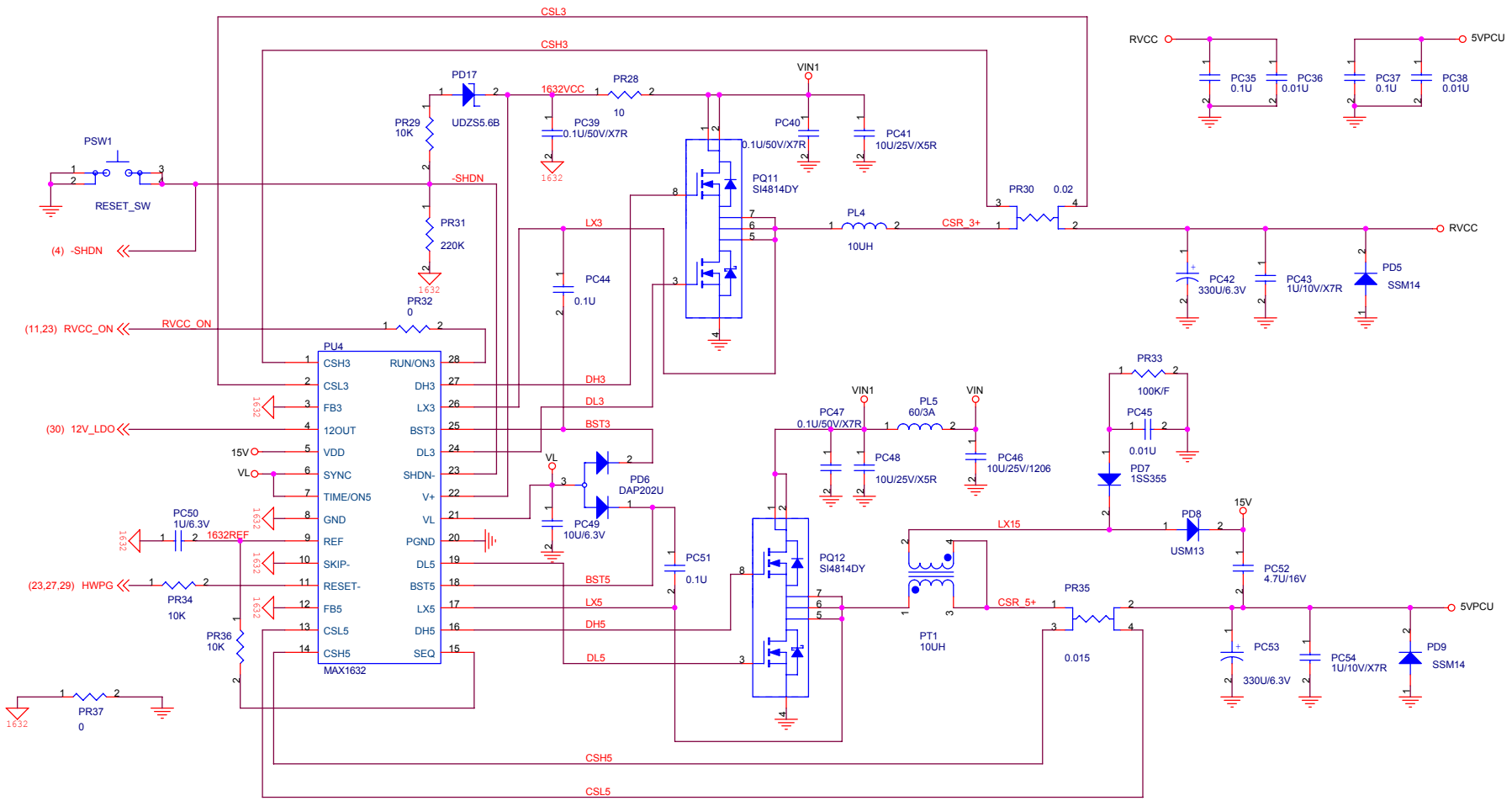
Size	Document Number	Rev
	NE5 Main Board	3D
Date:	日期: 十二月 11, 2002	Sheet 26 of 31






**QUANTA
COMPUTER**

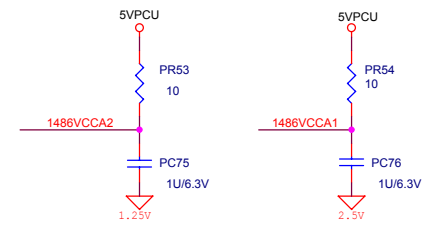
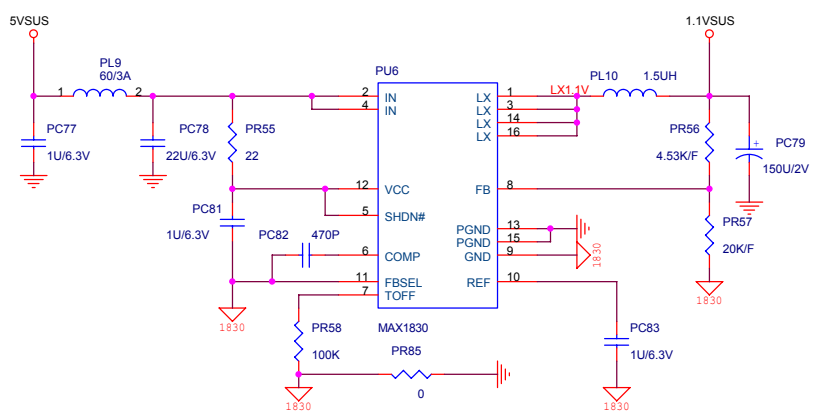
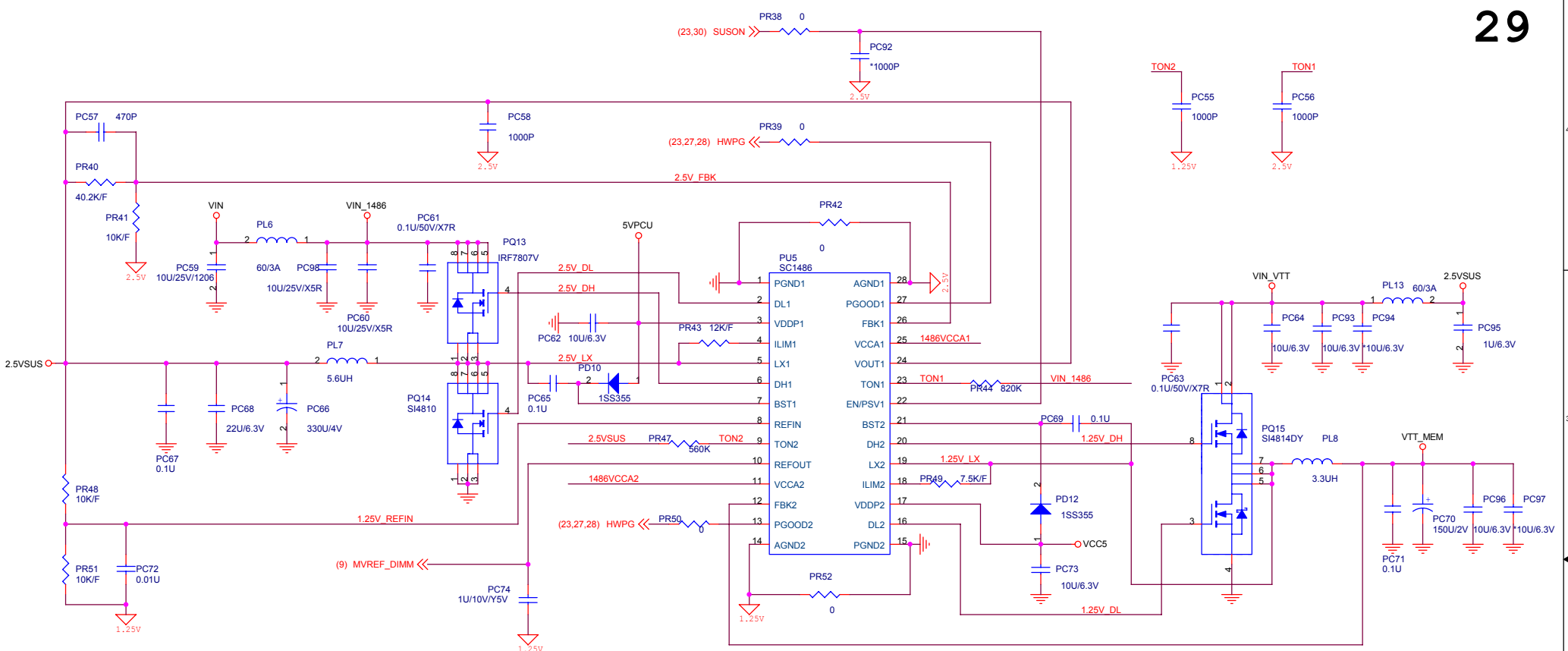
Size	Document Number	Rev
Date:	NE5 Main Board	2A
Date: 星期二, 十二月 11, 2002	Sheet 27 of 31	Rev





**QUANTA
COMPUTER**

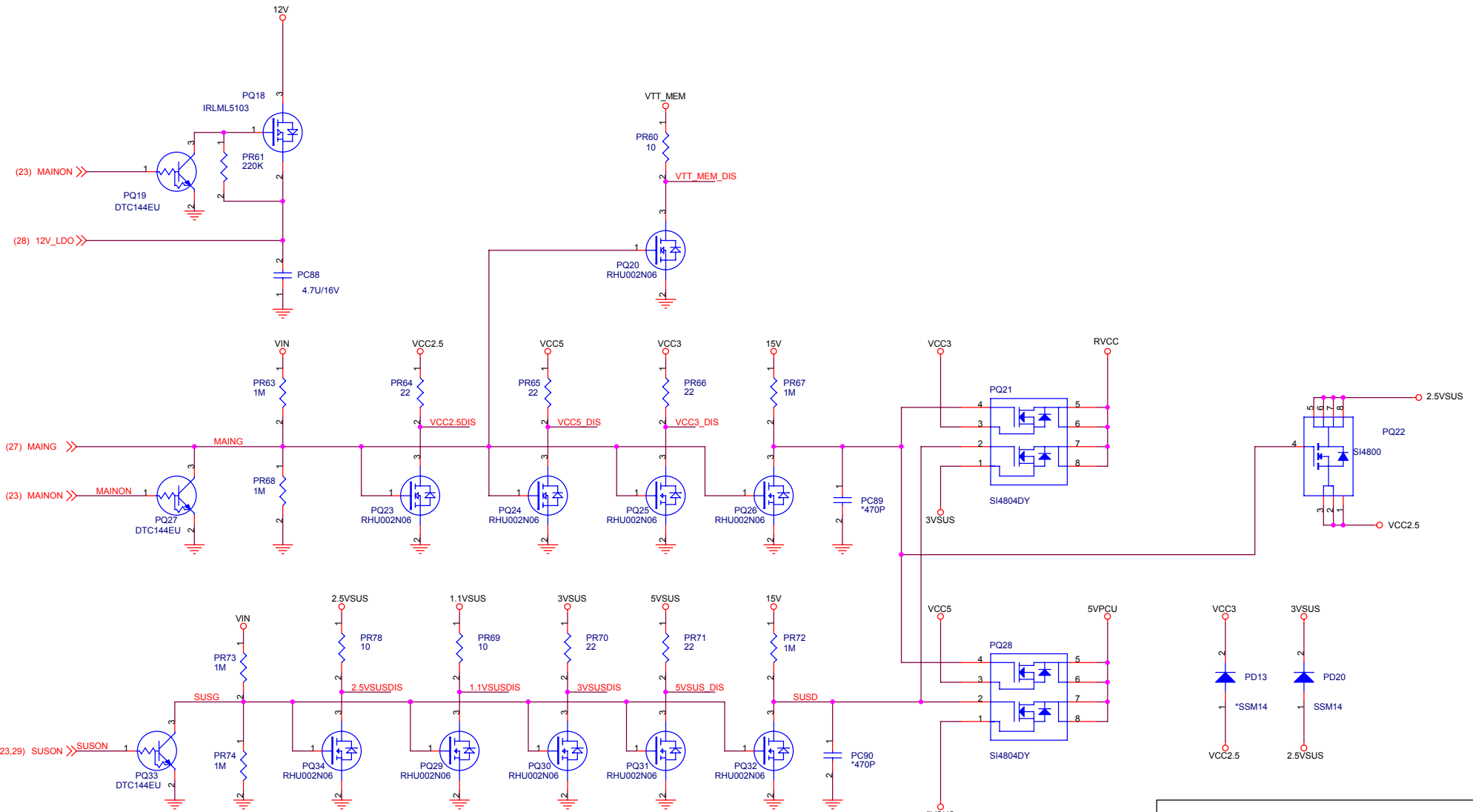
Size	Document Number NE5 Main Board	Rev 1A
Date: 星期二, 十二月 11, 2002		Sheet 28 of 31




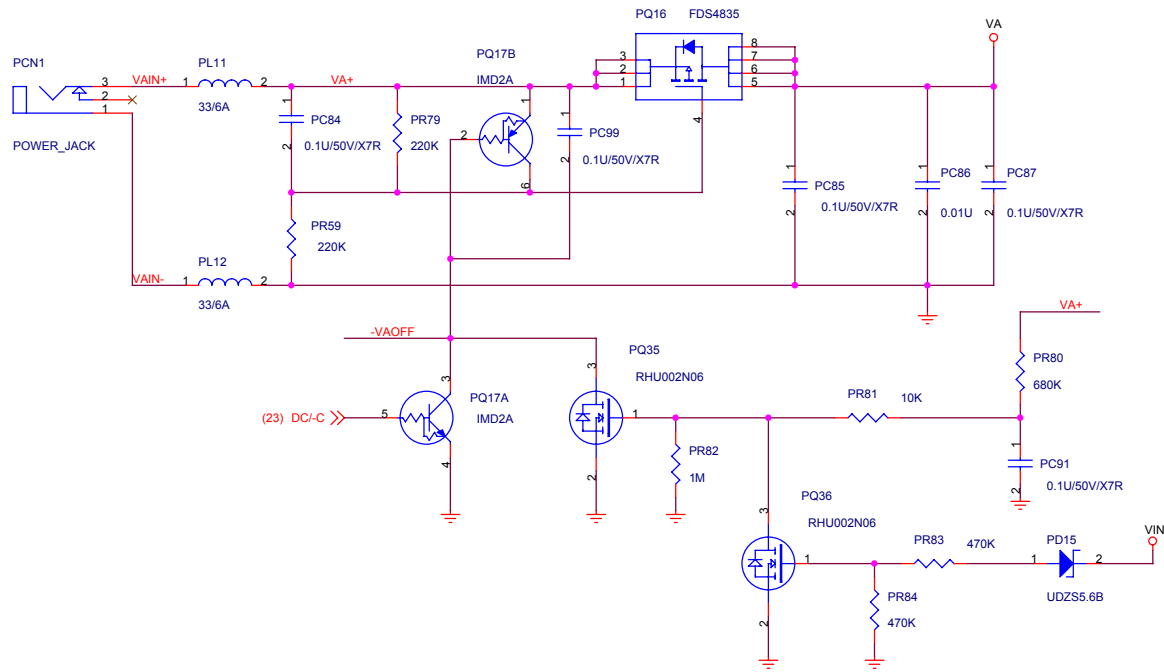
QUANTA COMPUTER

Size: Document Number: **NE5 Main Board** Rev: **2A**

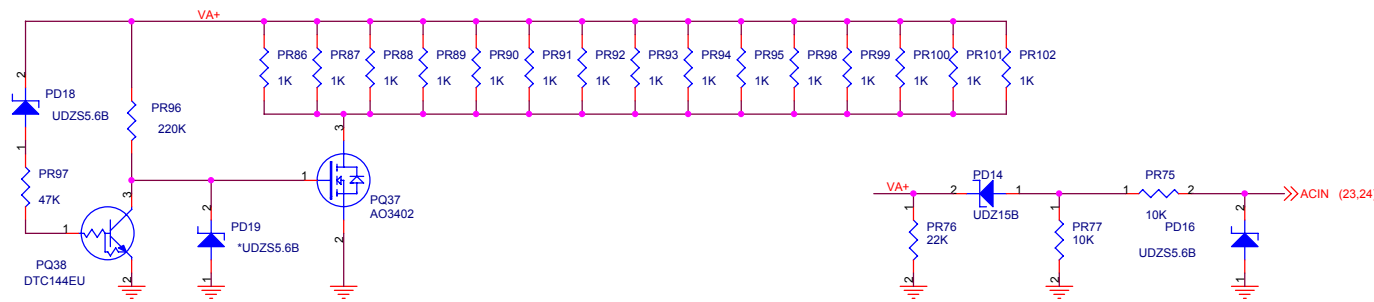
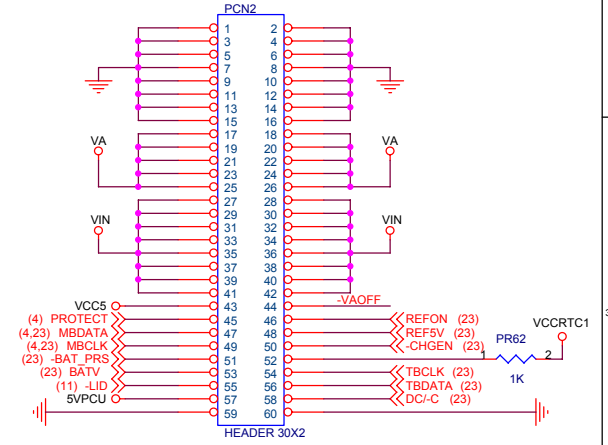
Date: 星期二, 十二月 11, 2002 Sheet: 29 of 31




 QUANTA COMPUTER		Size	Document Number	Rev	
		NE5 Main Board		2A	
Date:	星期二, 十二月 11, 2002	Sheet	30	of	31



CHARGER BOARD CONNECTOR





**QUANTA
COMPUTER**

Size	Document Number NE5 Main Board	Rev 3A
Date: 星期二, 十二月 11, 2002		Sheet 31 of 31