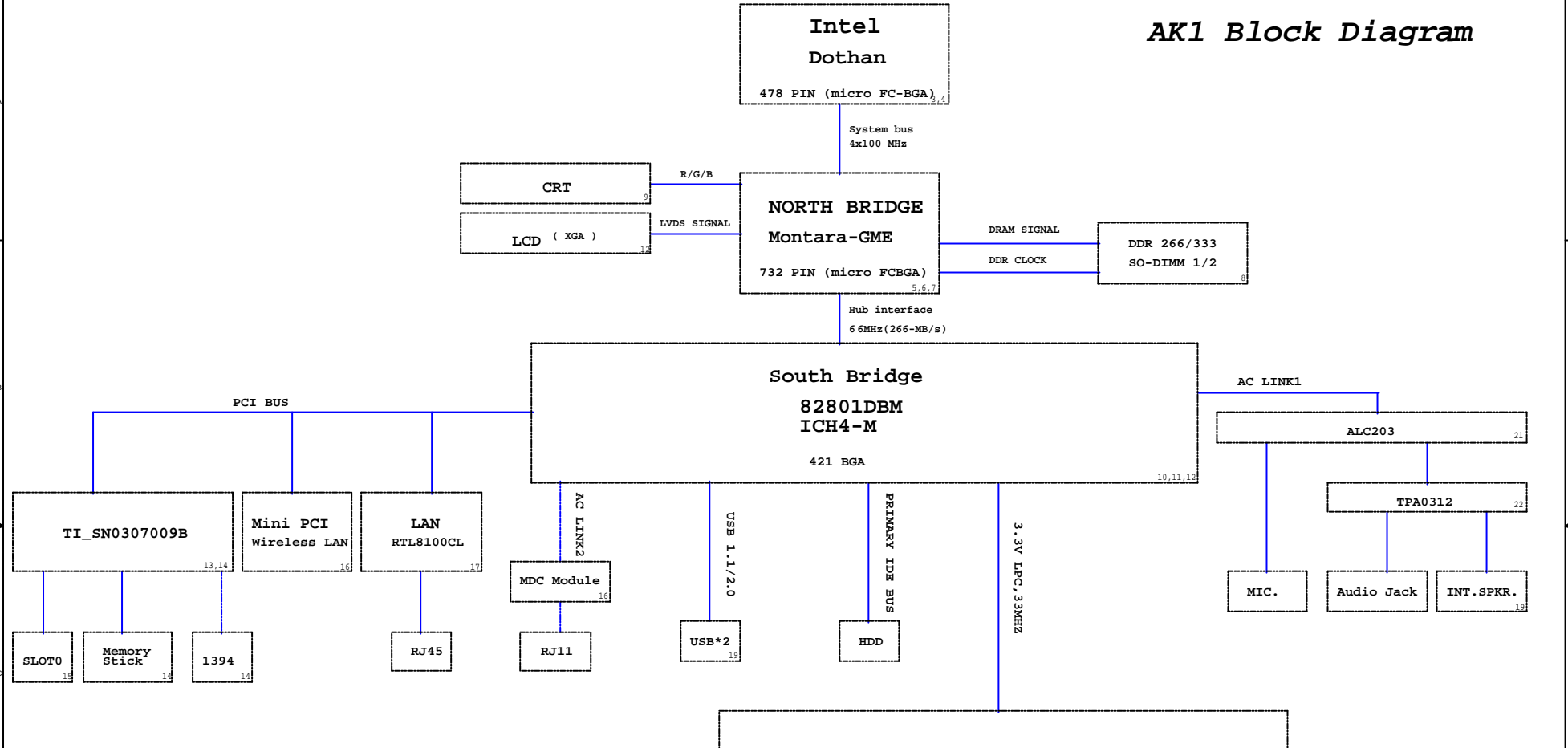
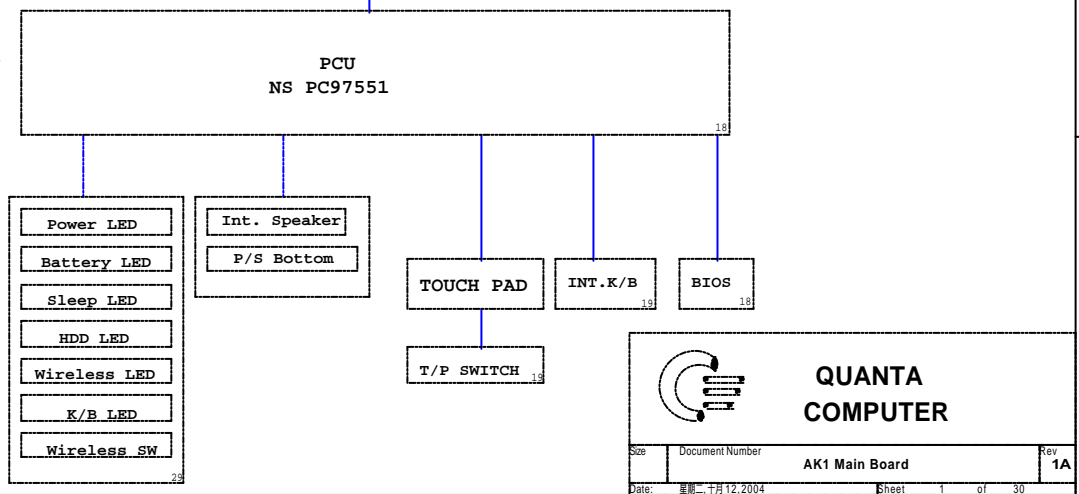
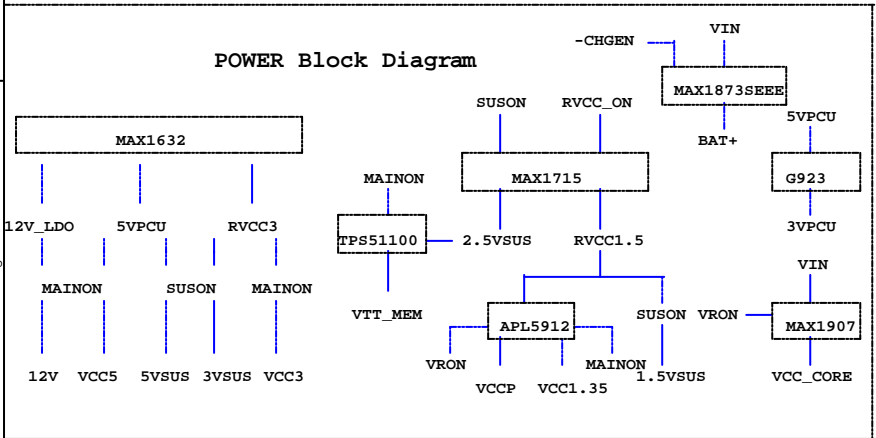


AK1 Block Diagram



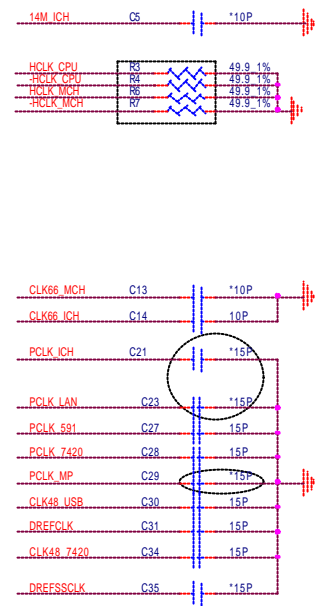
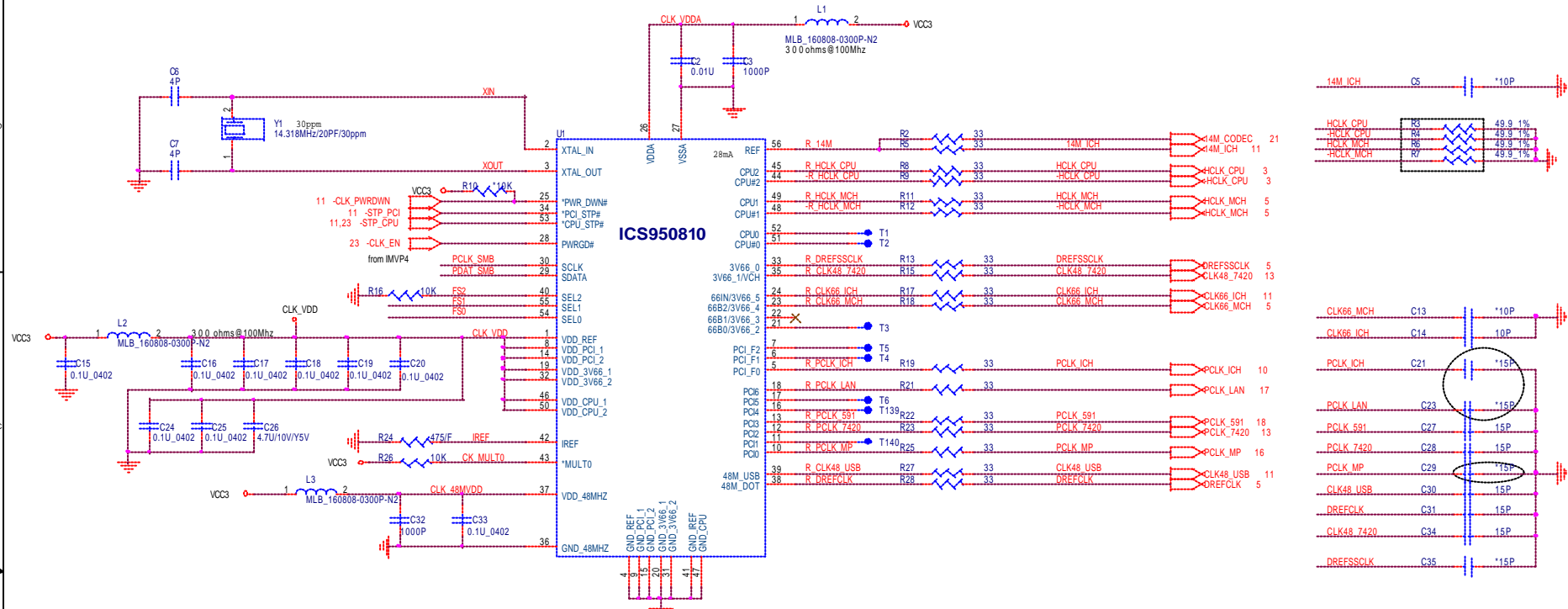
POWER Block Diagram



QUANTA COMPUTER

Size Document Number AK1 Main Board Rev 1A

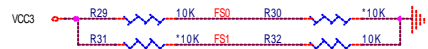
Date: 2004.12.10 Sheet 1 of 30



X : Pull high or pull low
Mid : Pin float

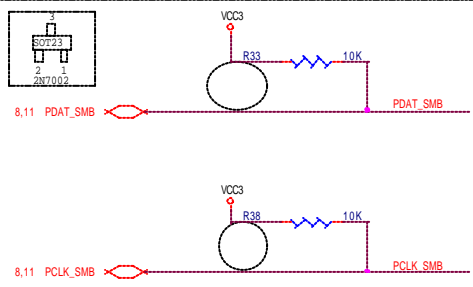
FS2	FS1	FS0	CPU	3V66[5:0]	PCI_F[2:0]
X	0	0	166.66	66.66	33.33
* X	0	1	100.00	66.66	33.33
X	1	0	200.00	66.66	33.33
X	1	1	133.33	66.66	33.33
Mid	0	0	Tristate	Tristate	Tristate
Mid	0	1	TCLK/2	TCLK/4	TCLK/8
Mid	1	0	Reserved	Reserved	Reserved
Mid	1	1	Reserved	Reserved	Reserved

* : Internal pull-up resistor
** : Internal pull-down resistor



CPULCK IREF SETUP:

CK_MULT0	IREF	Output Current
0	221 1% Iref=5mA	Ioh = 4*IREF
* 1	475 1% Iref=2.32mA	Ioh = 6*IREF

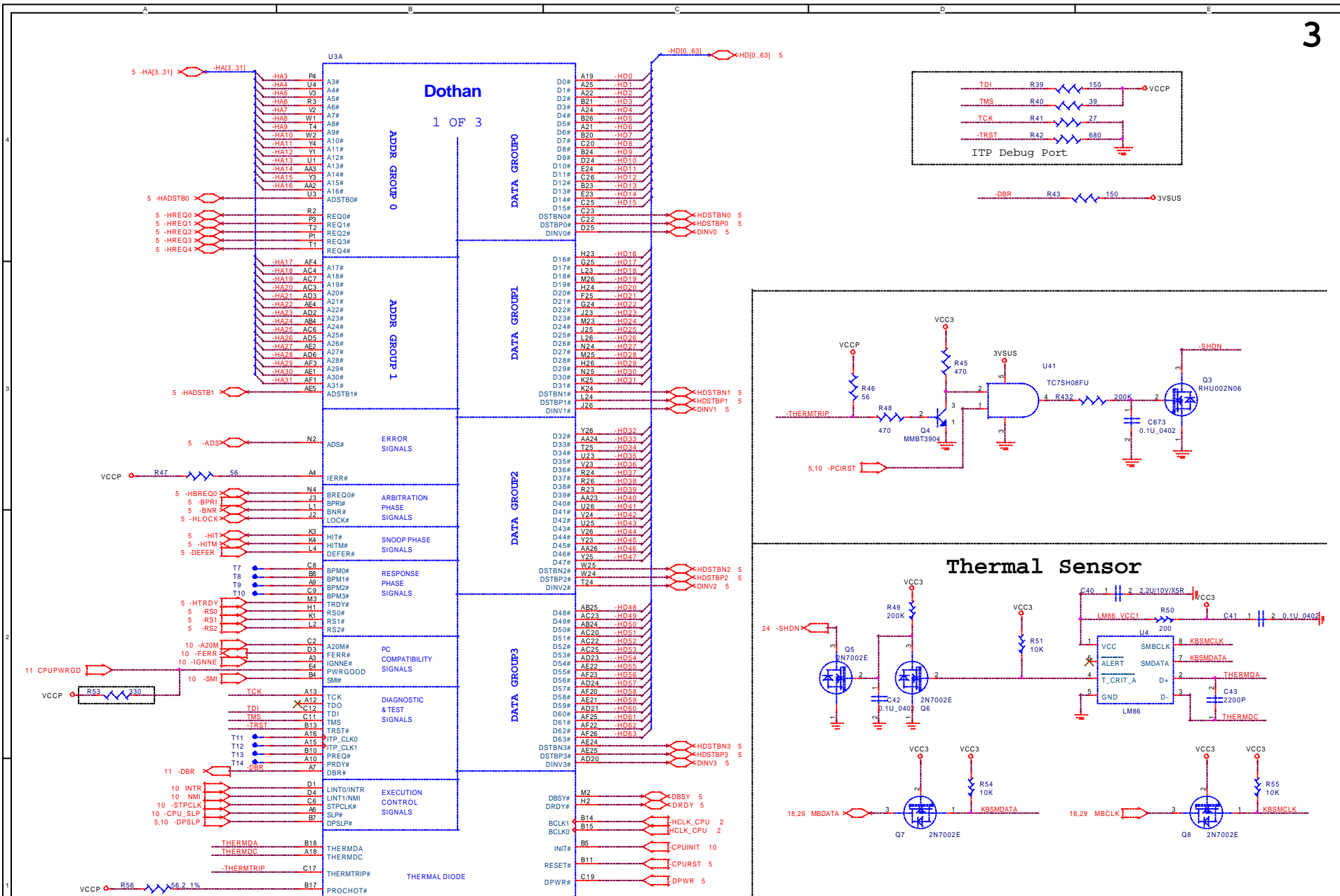


1. This part should not contain any substances which are specified in SS-00259-1
2. Purchase ink, paint, wire rods and molding resins only from the business partners that Sony approves as Green Partners.

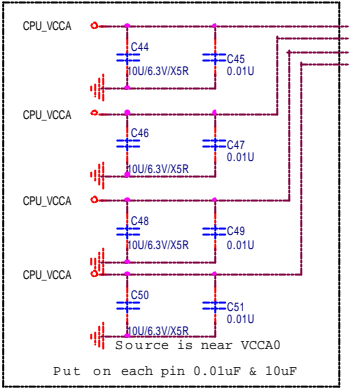
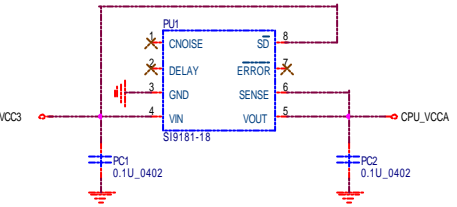
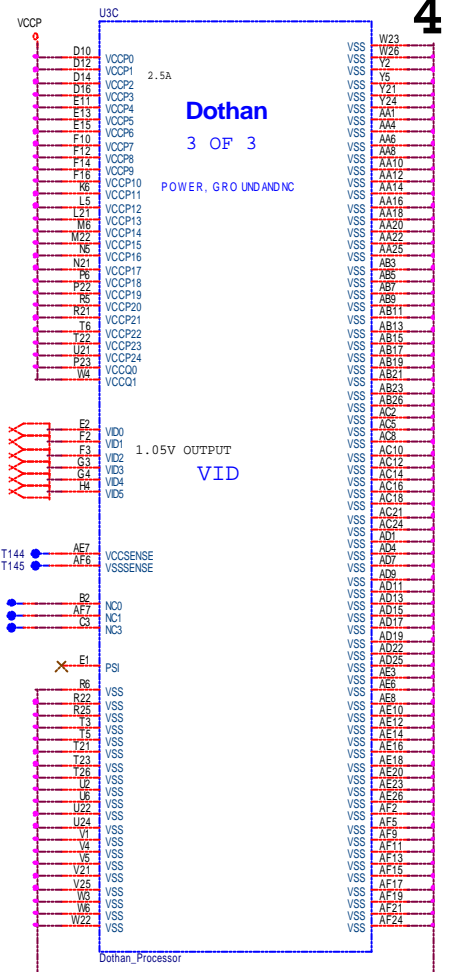
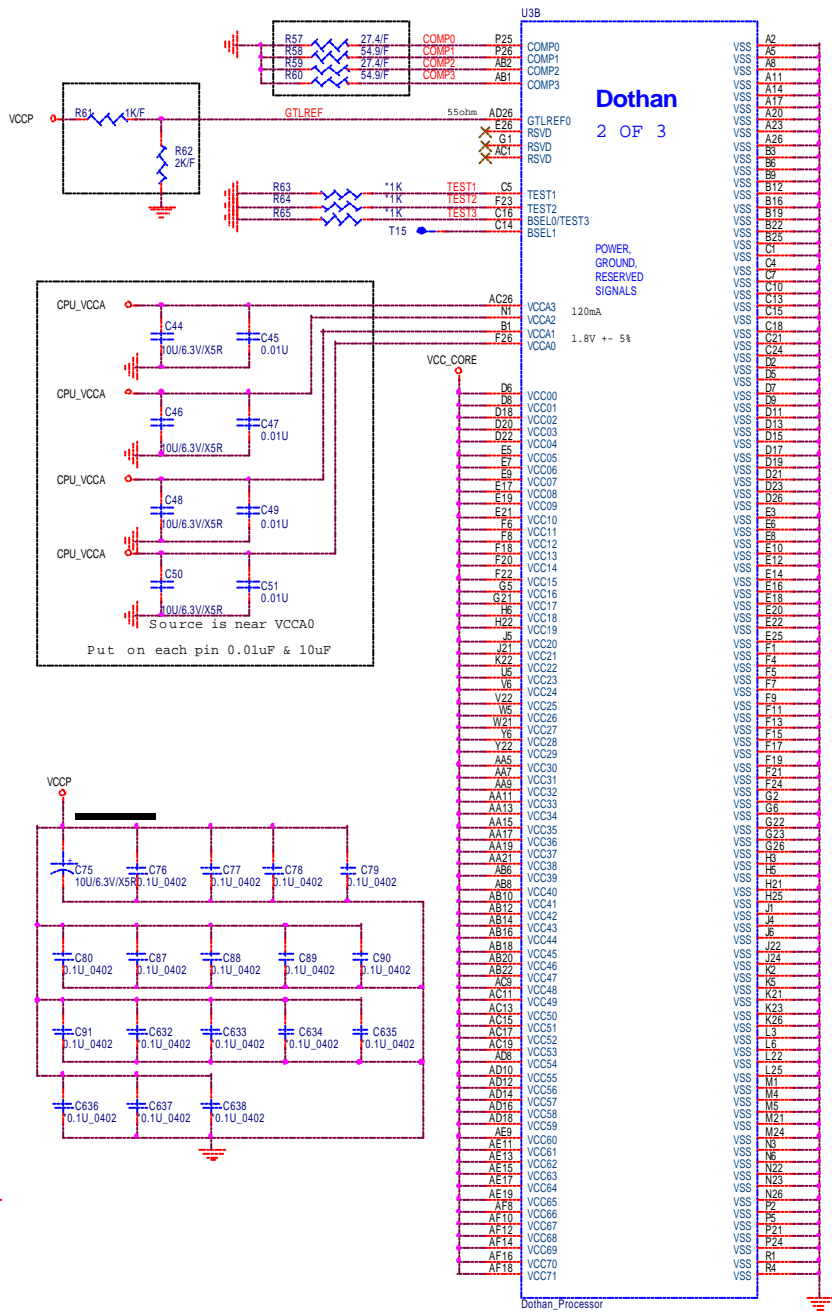
QUANTA COMPUTER

Document Number: **AK1 Main Board**

Date: 2004.12.17 Sheet 2 of 30



VCCA:
 VCC1.5 : Intel Dothan Processor only.
 VCC1.8 : Intel Dothan/Pentium M Processor only.



PC3	1	2	470U/2.5V	C52	0.1U_0402
C56	10U/6.3V/X5R	C53	0.1U_0402	C54	0.1U_0402
C57	10U/6.3V/X5R	C55	0.1U_0402	C58	0.01U
C59	10U/6.3V/X5R	C60	0.01U	C62	0.01U
C61	10U/6.3V/X5R	C64	0.01U	C66	10U/6.3V/X5R
C63	10U/6.3V/X5R	C68	10U/6.3V/X5R	C70	10U/6.3V/X5R
C65	10U/6.3V/X5R	C72	10U/6.3V/X5R	C74	10U/6.3V/X5R
C67	10U/6.3V/X5R	C76	10U/6.3V/X5R	C78	10U/6.3V/X5R
C69	10U/6.3V/X5R	C80	10U/6.3V/X5R	C82	10U/6.3V/X5R
C71	10U/6.3V/X5R	C84	10U/6.3V/X5R	C86	10U/6.3V/X5R
C73	10U/6.3V/X5R	C88	10U/6.3V/X5R	C90	10U/6.3V/X5R
C81	10U/6.3V/X5R	C92	10U/6.3V/X5R	C94	10U/6.3V/X5R
C83	10U/6.3V/X5R	C96	10U/6.3V/X5R	C98	10U/6.3V/X5R
C85	10U/6.3V/X5R	C100	10U/6.3V/X5R	C102	10U/6.3V/X5R
C87	10U/6.3V/X5R	C104	10U/6.3V/X5R		
C89	10U/6.3V/X5R				
C91	10U/6.3V/X5R				
C93	10U/6.3V/X5R				
C95	10U/6.3V/X5R				
C97	*10U/6.3V/X5R				
C99	*10U/6.3V/X5R				
C101	*10U/6.3V/X5R				
C103	*10U/6.3V/X5R				
C105	*10U/6.3V/X5R				

10U/6.3V/X5R(CC0805) 5 mOhm*35

1. This part should not contain any substances which are specified in SS-00259-1
 2. Purchase ink, paint, wire rods and molding resins only from the business partners that Sony approves as Green Partners.

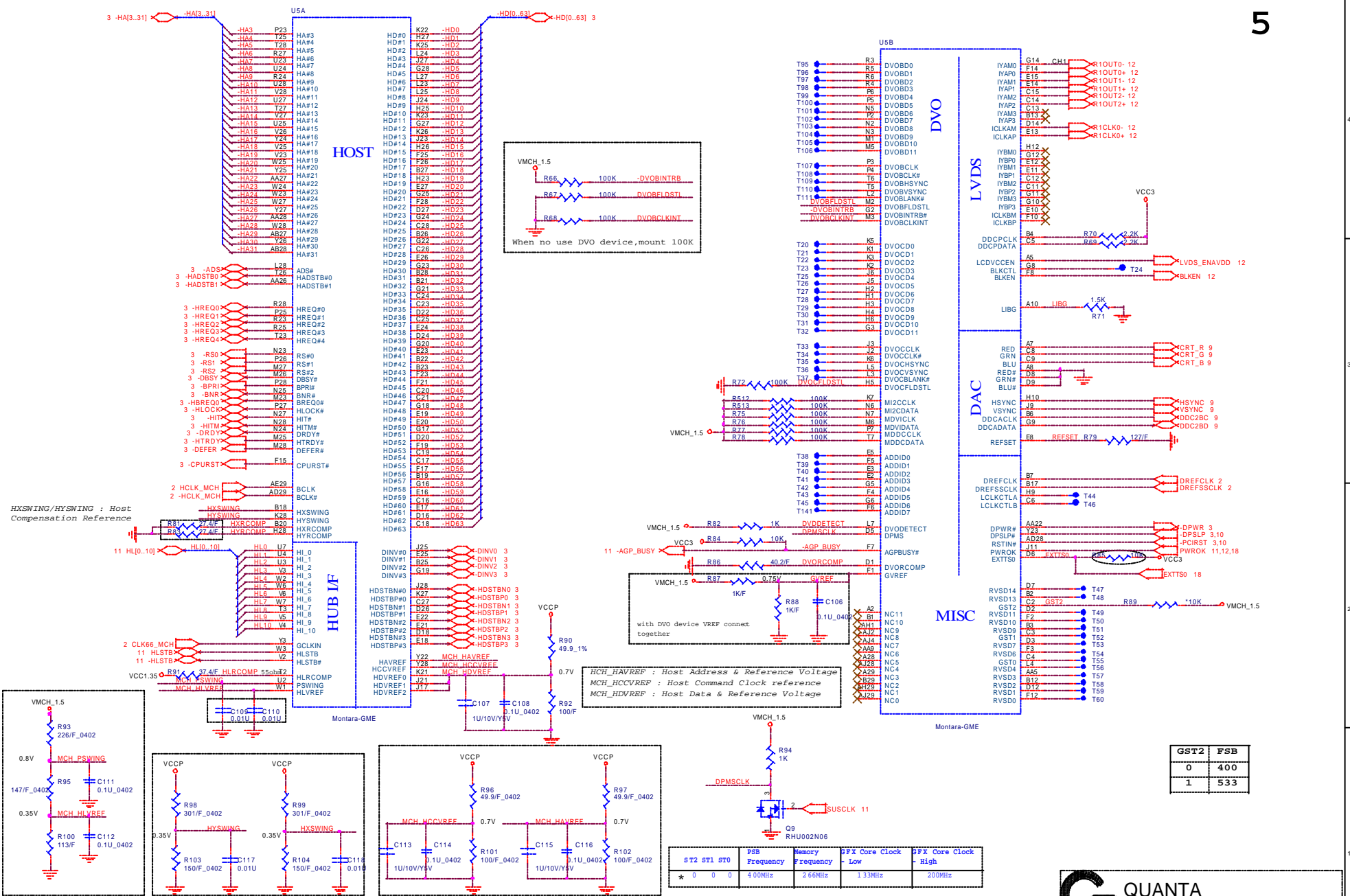
QUANTA COMPUTER

Dothan CPU-B

AK1 Main Board

Rev 1A

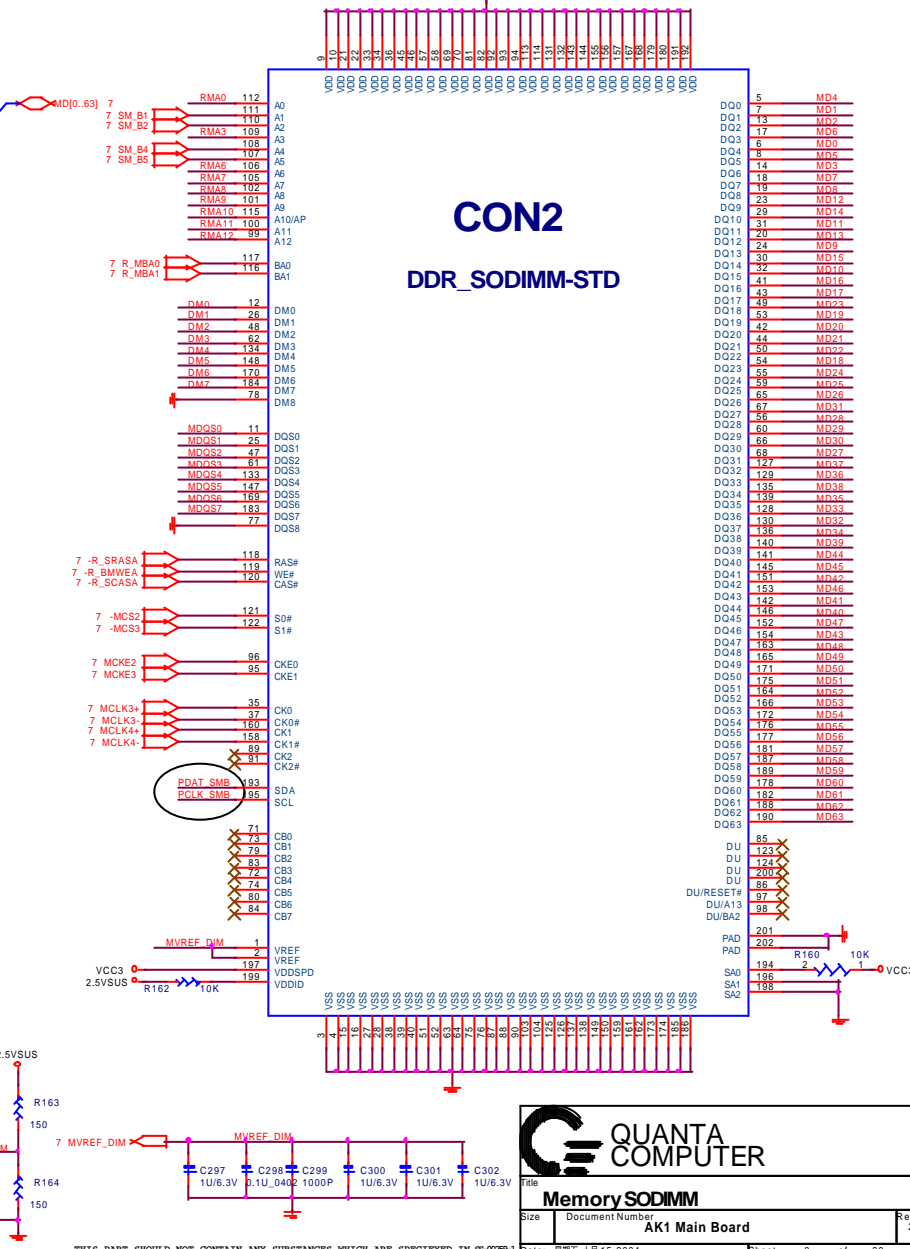
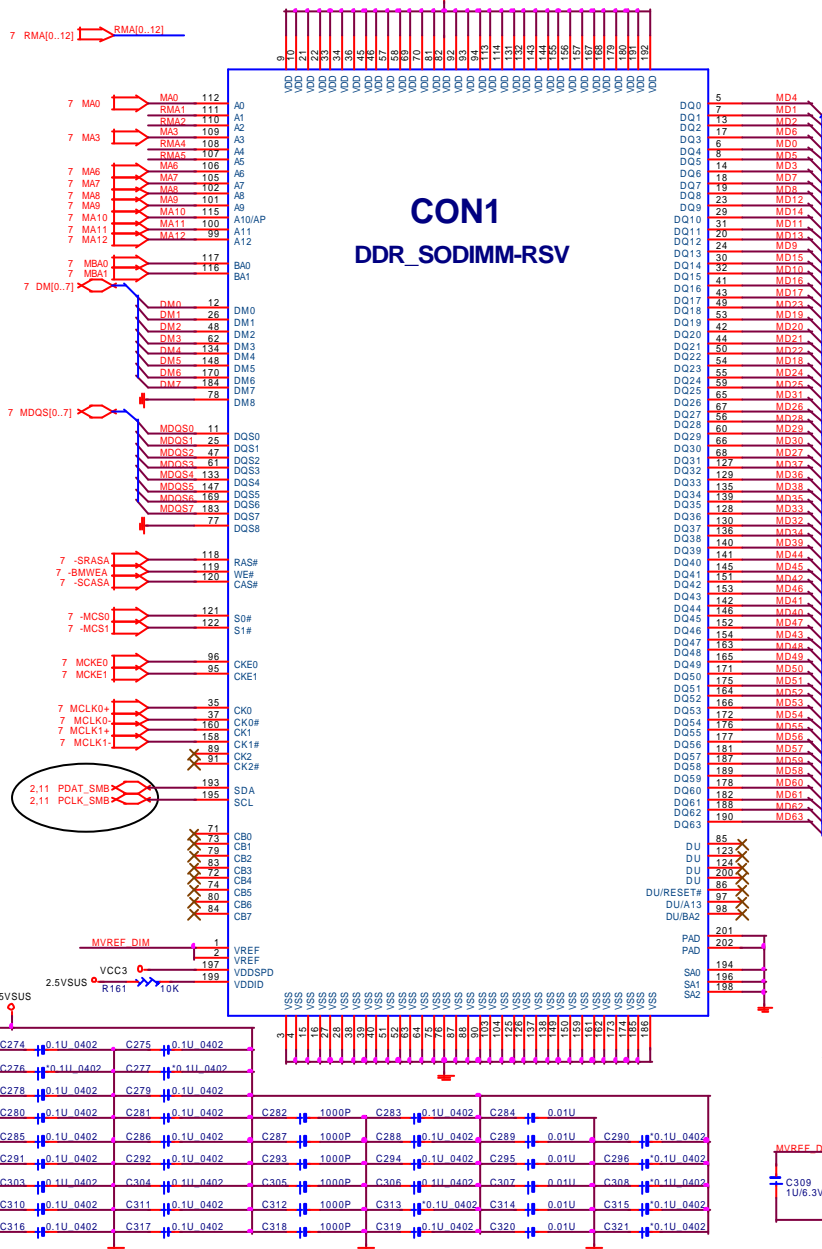
Date: 2004年12月12日 Sheet 4 of 30



DDR - Modules

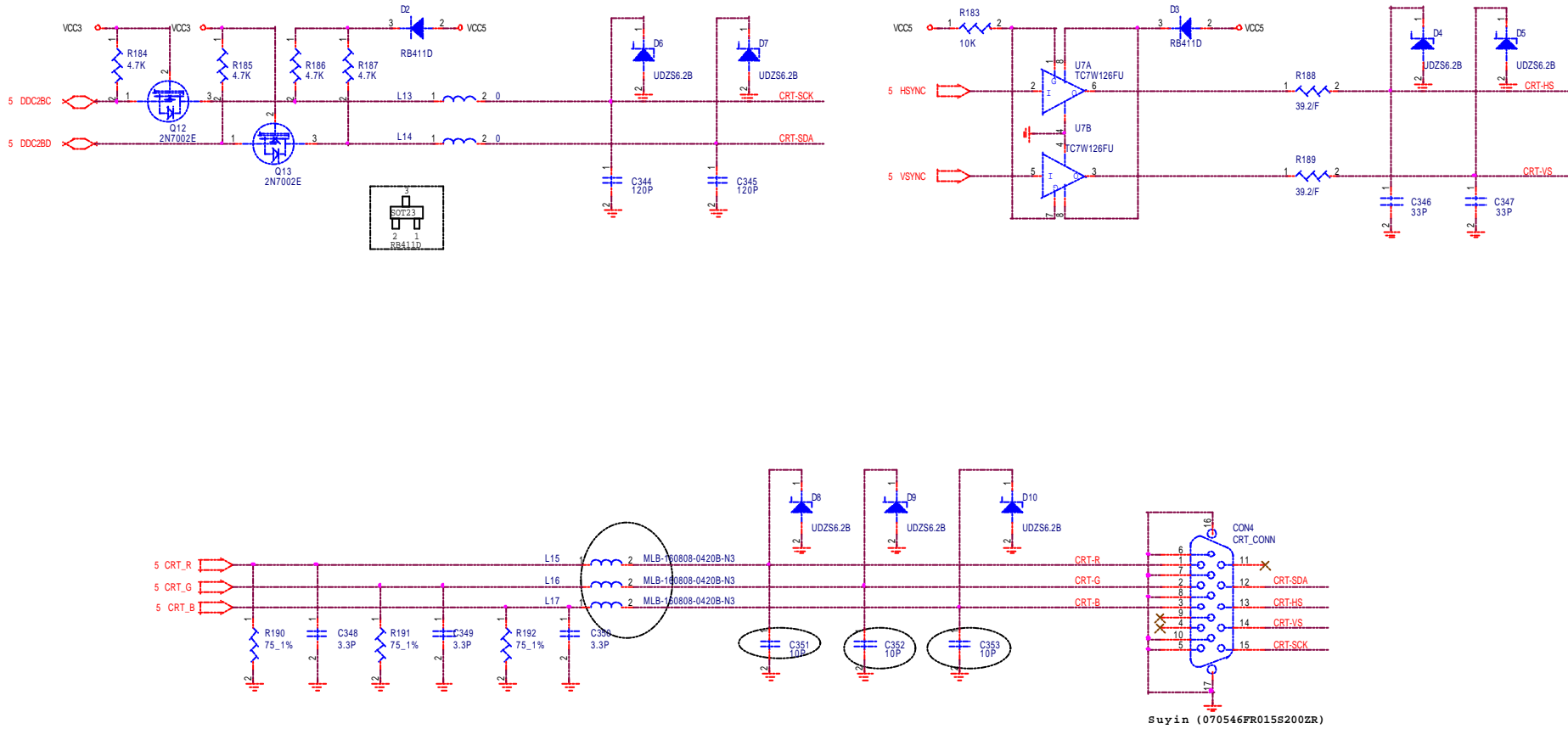
P-Two (CDRA02-AUK0L-P)

8



		QUANTA COMPUTER	
		Memory SODIMM	
File	Document Number	AK1 Main Board	
Size	Rev	2A	

1. This part should not contain any substances which are specified in SS-00259-1
 2. Purchase ink, paint, wire rods and molding resins only from the business partners that Sony approves as Green Partners.

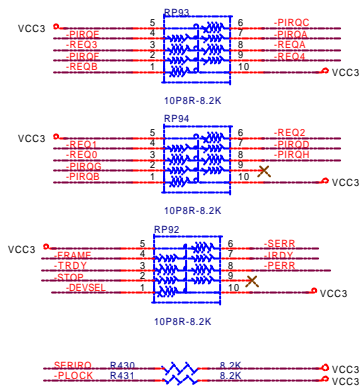


1.This part should not contain any substances which are specified in SS-00259-1
 2.Purchase ink, paint, wire rods and molding resins only from the business partners that Sony approves as Green Partners.



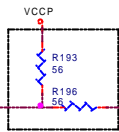
Title		CRT	
Size	Document Number	Rev	
		2A	
Date:	日期: 十月 14, 2004	Sheet	9 of 30

AK1 Main Board

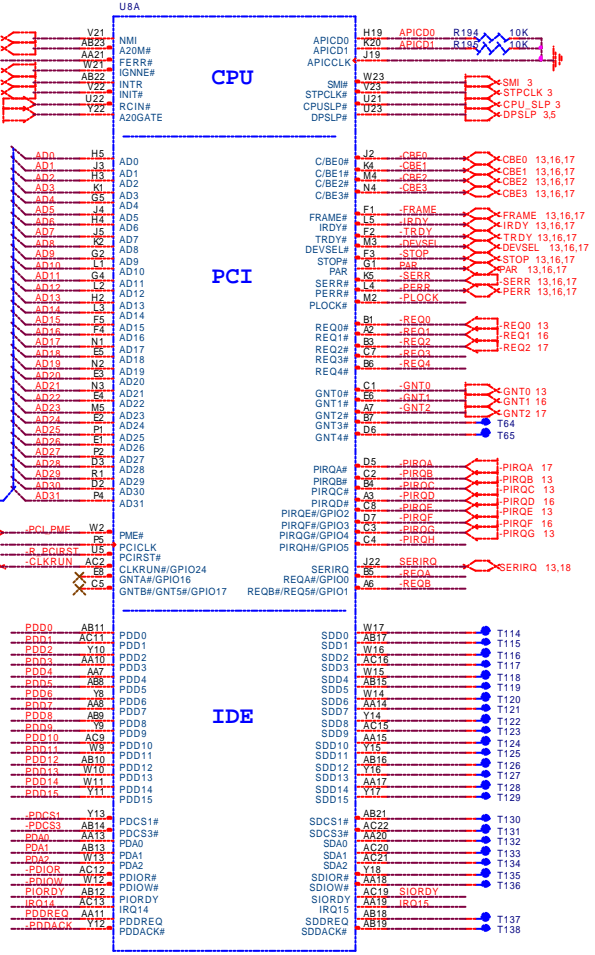


REQ0: CARD/1394/MS AD25
 REQ1: MINI PCI AD20
 REQ2: LAN AD29
 REQ3: X

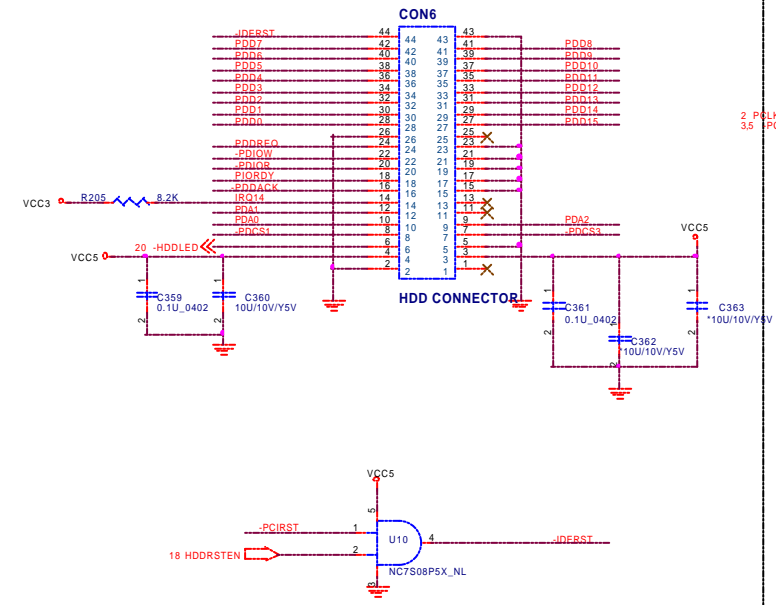
-PIROA: LAN
 -PIROB: CARDBUS/1394
 -PIROC: CARDBUS/1394
 -PIROD: MINIPCI
 -PIROE: CARDBUS/1394
 -PIROF: MINI-PCI
 -PIROG: CARDBUS/1394
 -PIROH: Internal USB



ICH HUB



HDD CONNECTOR



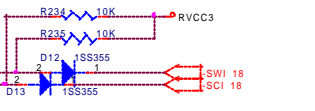
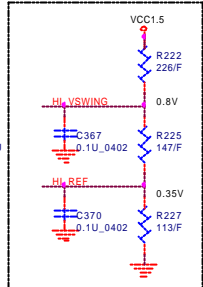
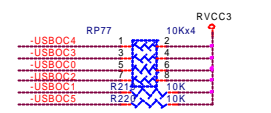
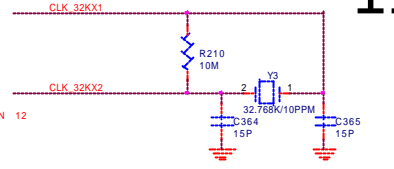
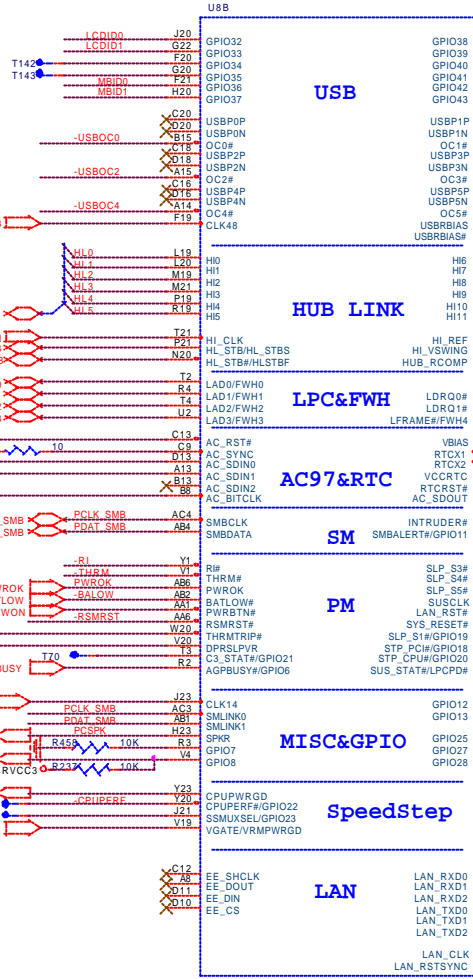
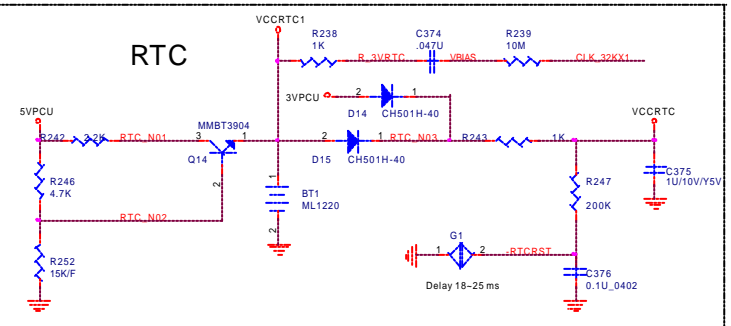
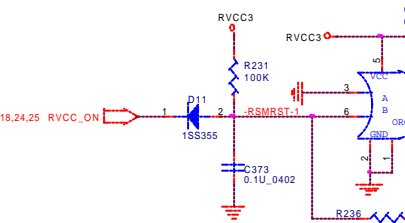
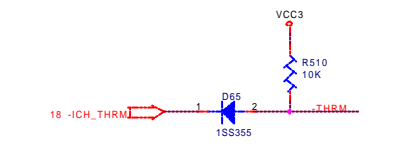
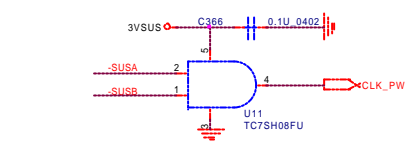
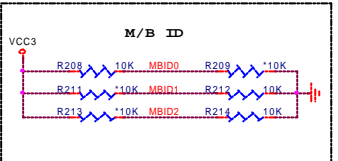
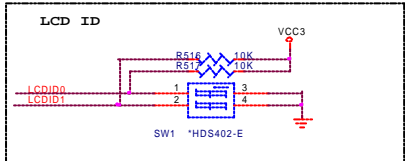
1.This part should not contain any substances which are specified in SS-00259-1
 2.Purchase ink, paint, wire rods and molding resins only from the business partners that Sony approves as Green Partners.

QUANTA COMPUTER

ICH4-M

Size	Document Number	AK1 Main Board	Rev 2A
Date: 2004年12月12日	Sheet: 10	of 30	

ICH4-M



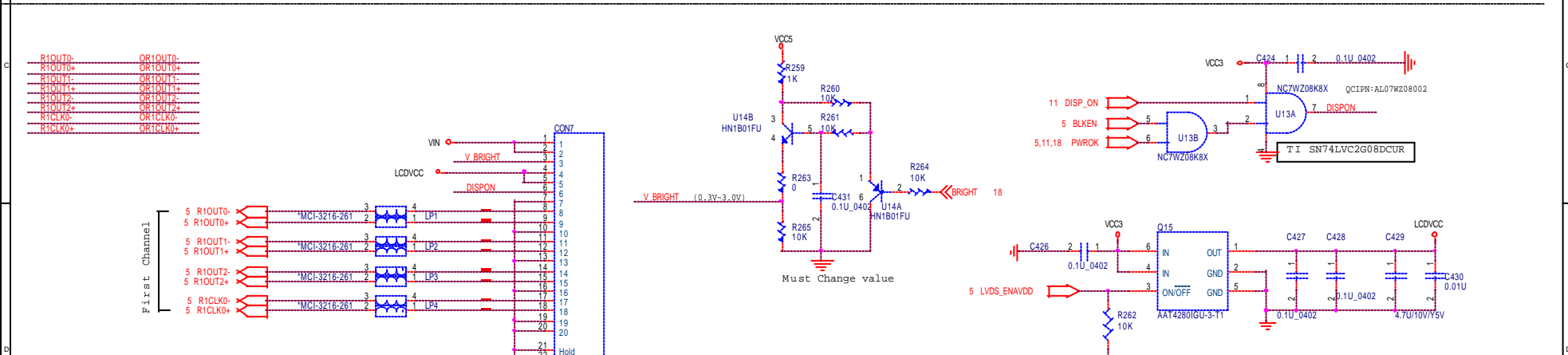
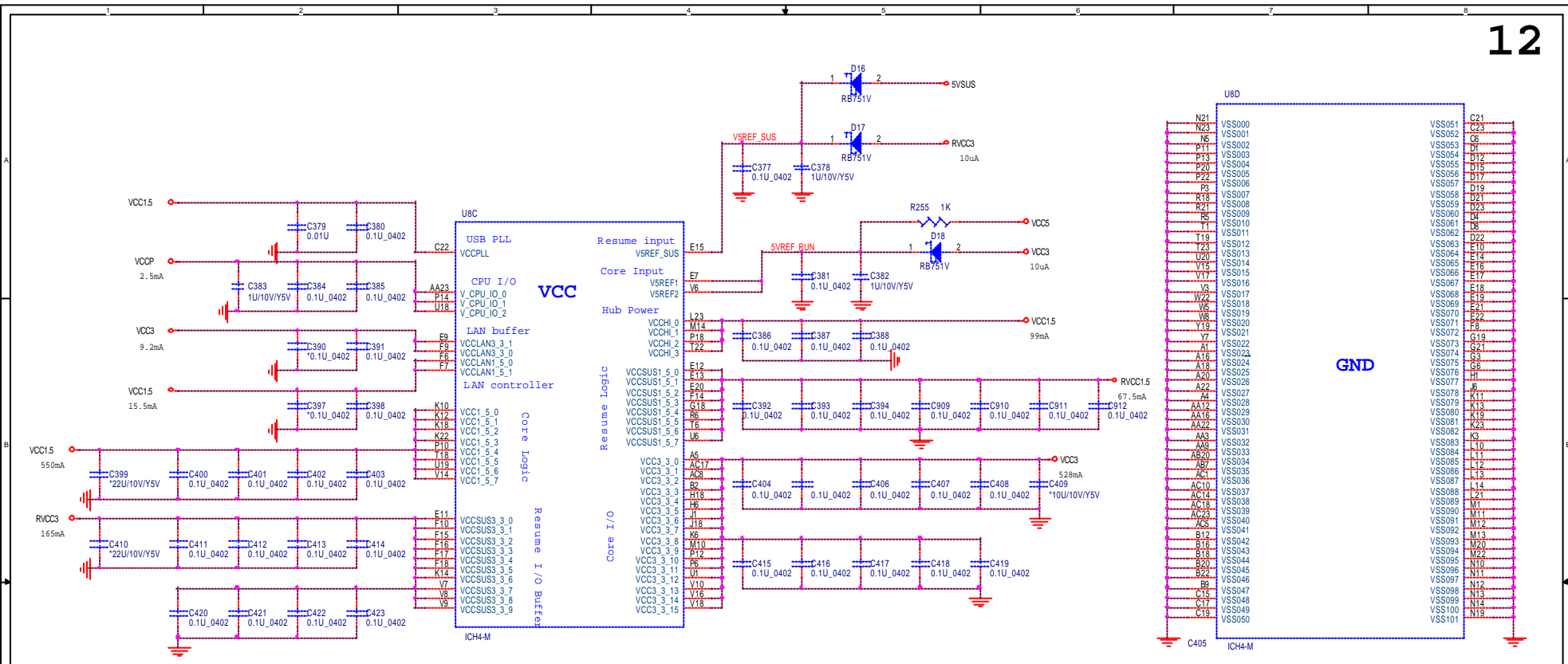
1. This part should not contain any substances which are specified in SS-00259-1
 2. Purchase ink, paint, wire rods and molding resins only from the business partners that Sony approves as Green Partners.

QUANTA COMPUTER

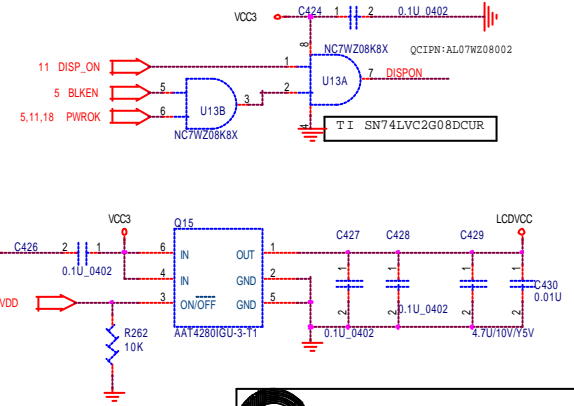
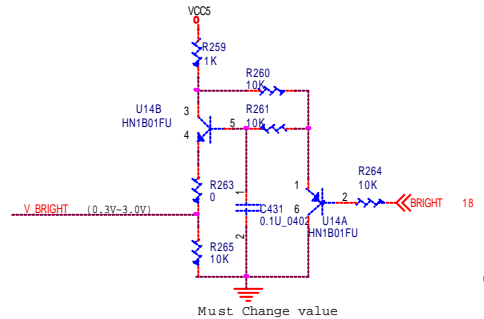
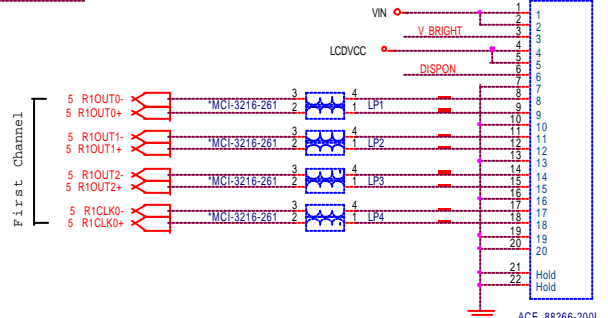
File: ICH4-M USB, HUB & LPC INTERFACE

Size: Document Number: AK1 Main Board Rev: 2A

Date: 08/12/2004 Sheet: 11 of 30



R1OUT0- OR1OUT0-
R1OUT0+ OR1OUT0+
R1OUT1- OR1OUT1-
R1OUT1+ OR1OUT1+
R1OUT2- OR1OUT2-
R1OUT2+ OR1OUT2+
R1CLK0- OR1CLK0-
R1CLK0+ OR1CLK0+



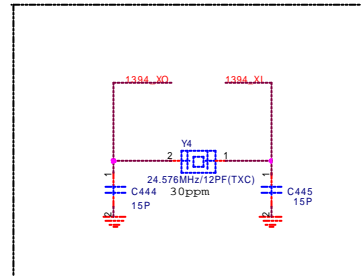
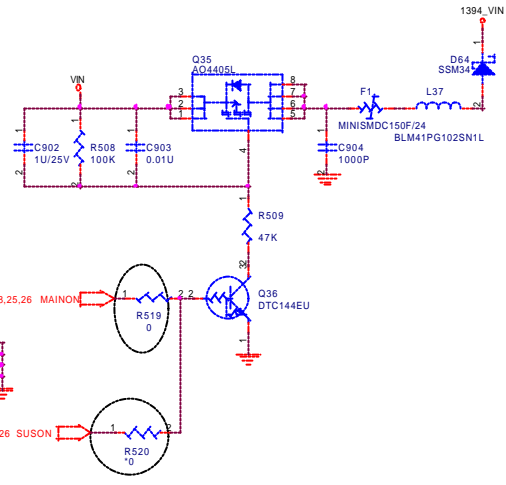
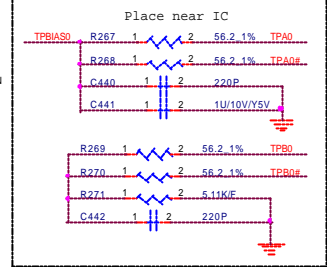
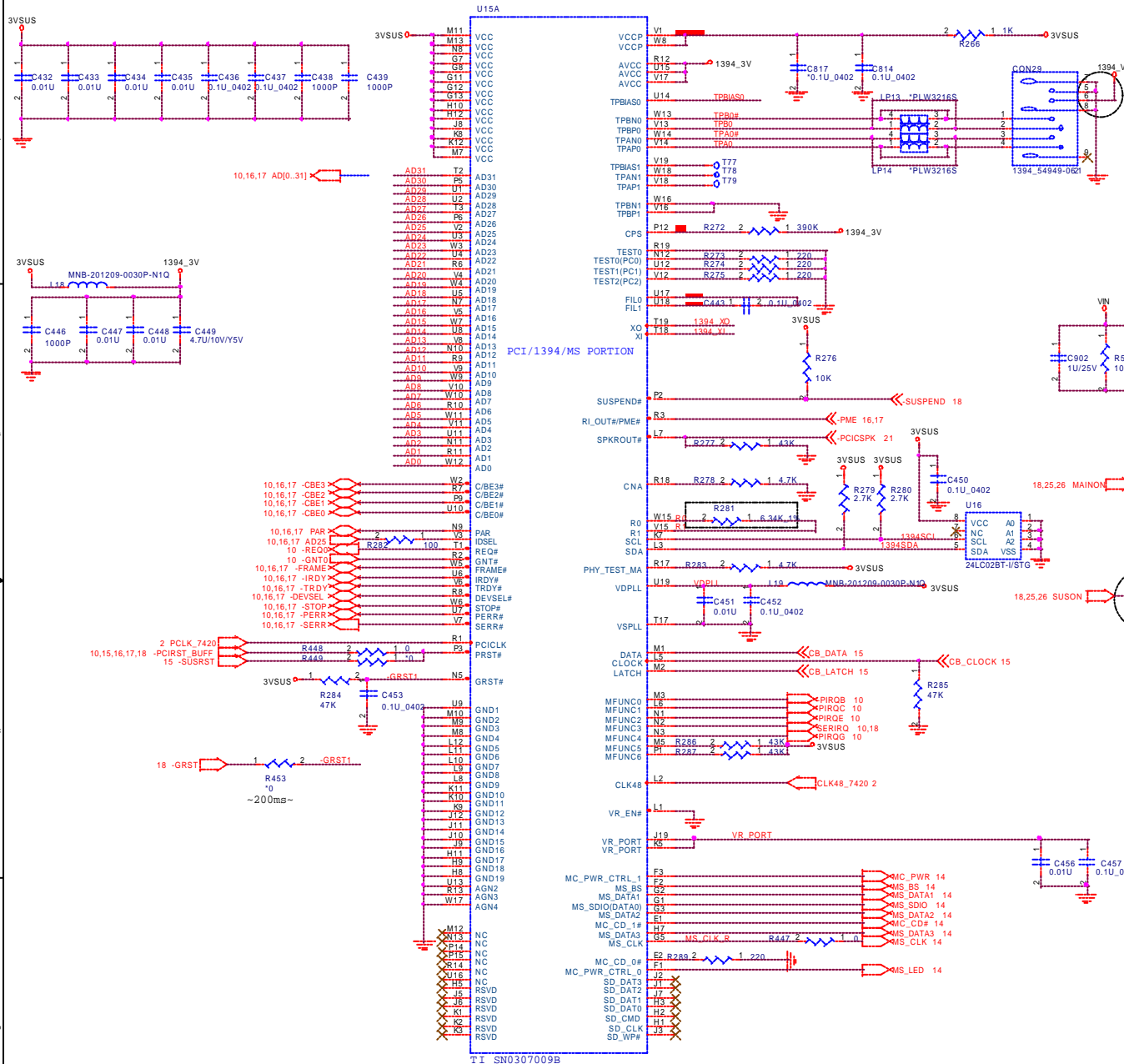
1. This part should not contain any substances which are specified in SS-00259-1
2. Purchase ink, paint, wire rods and molding resins only from the business partners that Sony approves as Green Partners.

QUANTA COMPUTER

File: **ICH4-M (POWER&GND)LCD**

Size: Document Number **AK1 Main Board** Rev 1A

Date: 2004年12月17日 Sheet 12 of 30



1. This part should not contain any substances which are specified in SS-00259-1
 2. Purchase ink, paint, wire rods and molding resins only from the business partners that Sony approves as Green Partners.

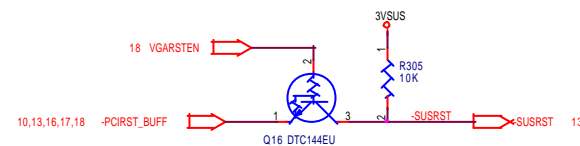
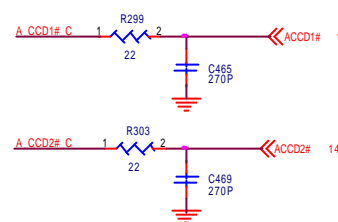
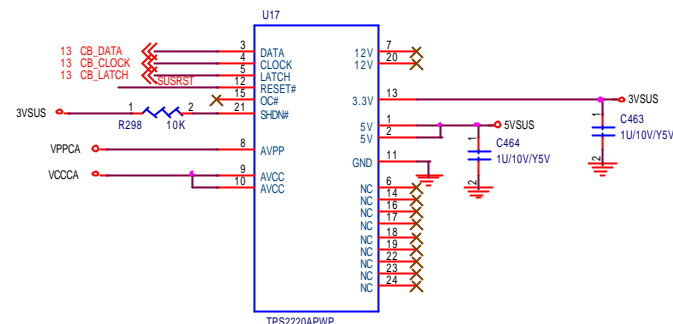
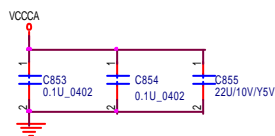
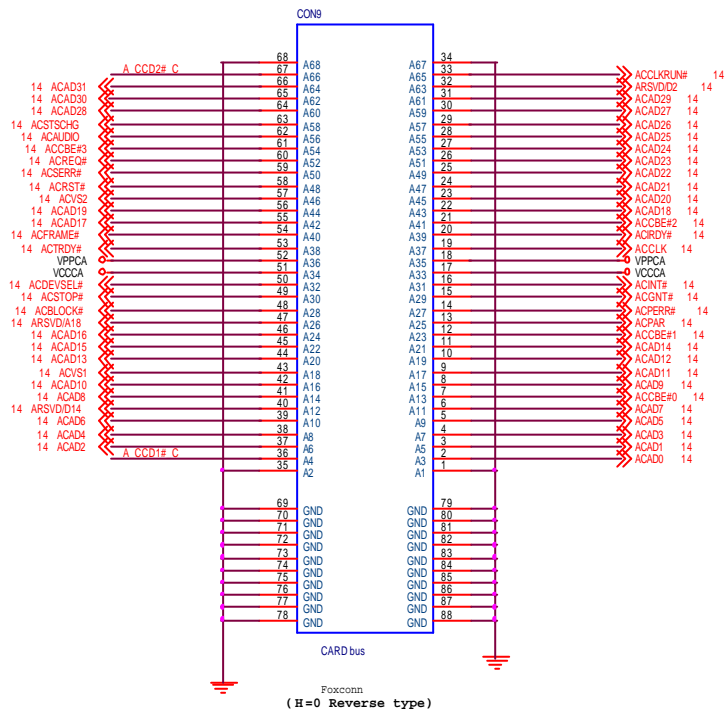
QUANTA COMPUTER

File: TI-SN0307009B CardBus Control -- A

Size: Document Number AK1 Main Board Rev 2A

Date: 08-11-2004 Sheet 13 of 30

14 ACAD[0..31] 
 14 ACCBE#[0..3] 



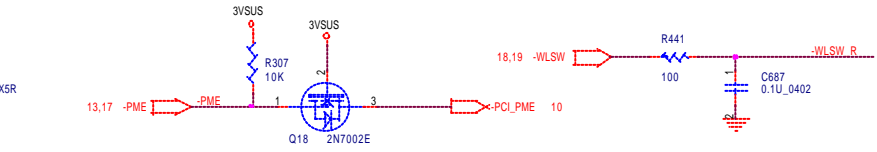
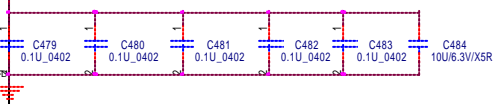
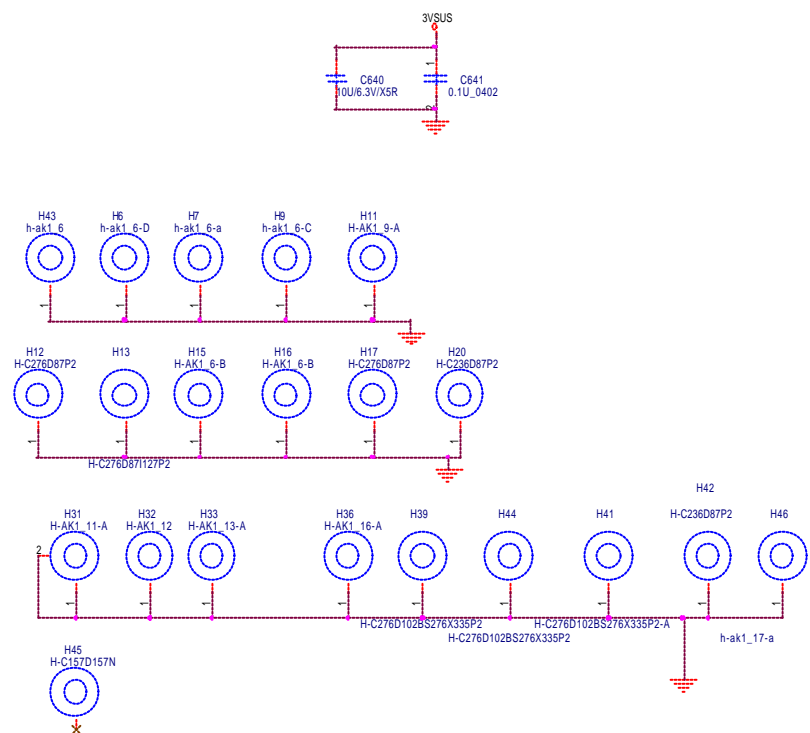
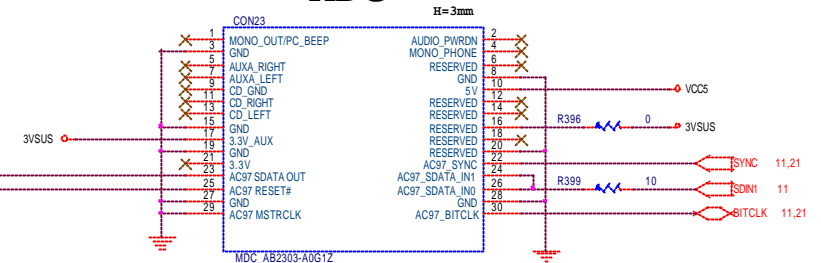
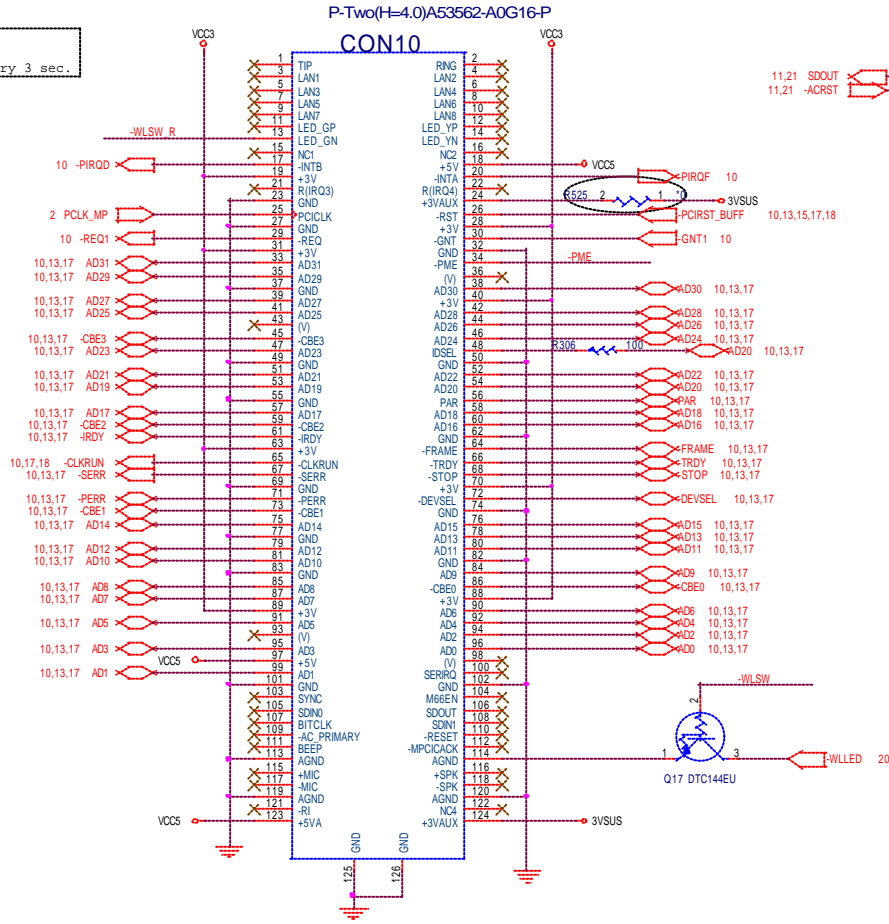
Title			Rev
CardBus Control SLOT			1A
Size	Document Number	AK1 Main Board	
Date:	日期: 十月 12, 2004	Sheet	15 of 30

1. This part should not contain any substances which are specified in SS-00259-1
 2. Purchase ink, paint, wire rods and molding resins only from the business partners that Sony approves as Green Partners.

ID Select : AD20
 Interrupt Pin : -PIRQD, -PIRQF
 Request indicates : -REQ1
 Grant indicates : -GNT1

LED_GP :LED WLEN LINK
 Output Current : 7mA
 Blink rate : 1 flash per every 3 sec.

WLSW:
 Low : disable the radio.
 High : Enable the radio.



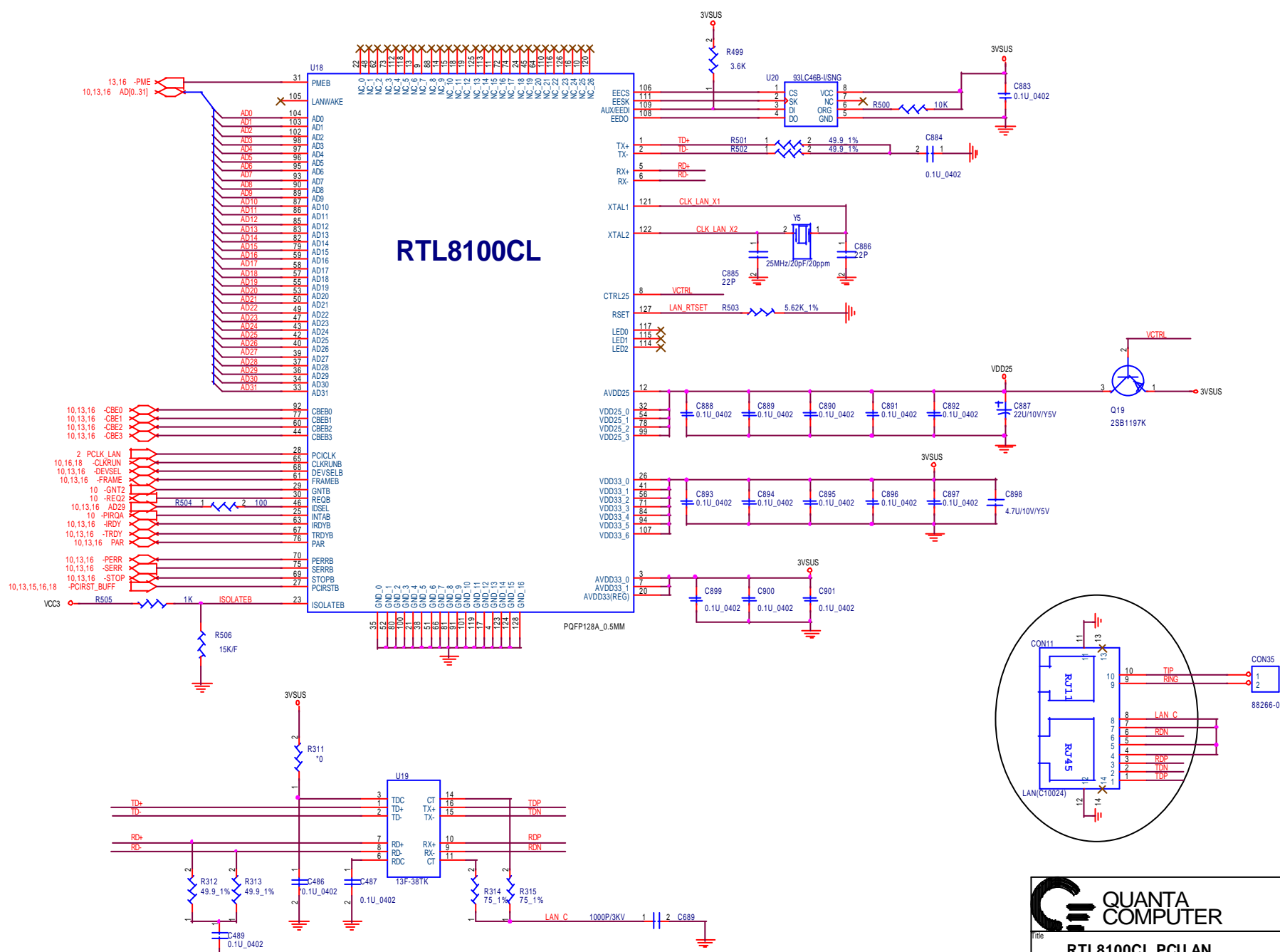
1. This part should not contain any substances which are specified in SS-00259-1
 2. Purchase ink, paint, wire rods and molding resins only from the business partners that Sony approves as Green Partners.

QUANTA COMPUTER

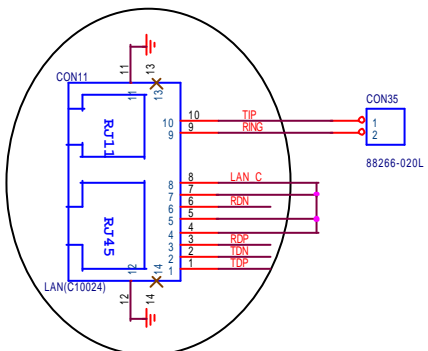
MINIPCI/MDC

Size: Document Number **AK1 Main Board** Key: 2A

Date: 2004年11月15日 Sheet: 16 of 30



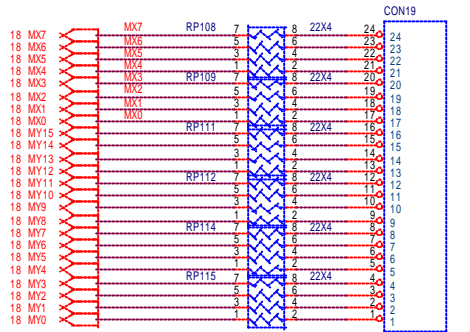
RTL8100CL



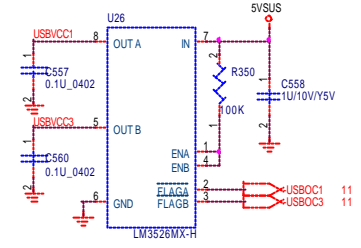
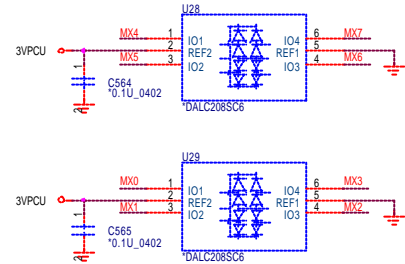
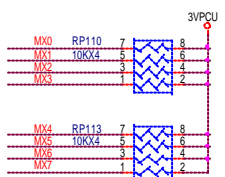
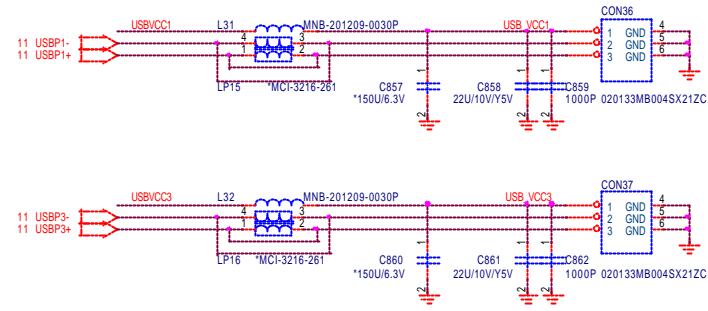
1. This part should not contain any substances which are specified in SS-00259-1
 2. Purchase ink, paint, wire rods and molding resins only from the business partners that Sony approves as Green Partners.



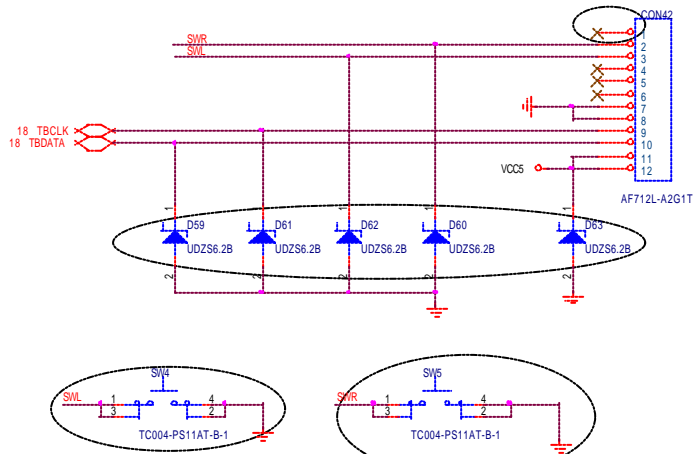
KEYBOARD



P-TWO(AFI243-A2G1Z)

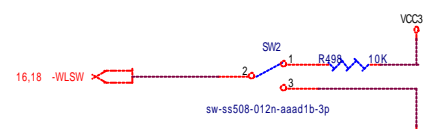


TOUCH PAD CONNECTOR

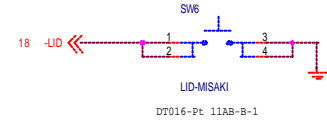


AF712L-A2G1T

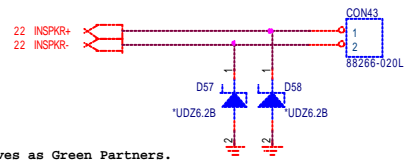
WIRELESS SWITCH



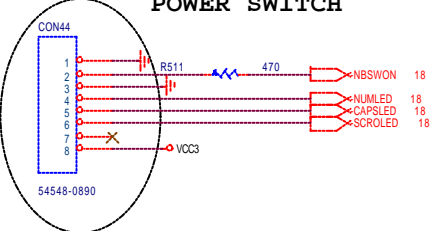
LID SWITCH



SPEAKER CONNECTOR



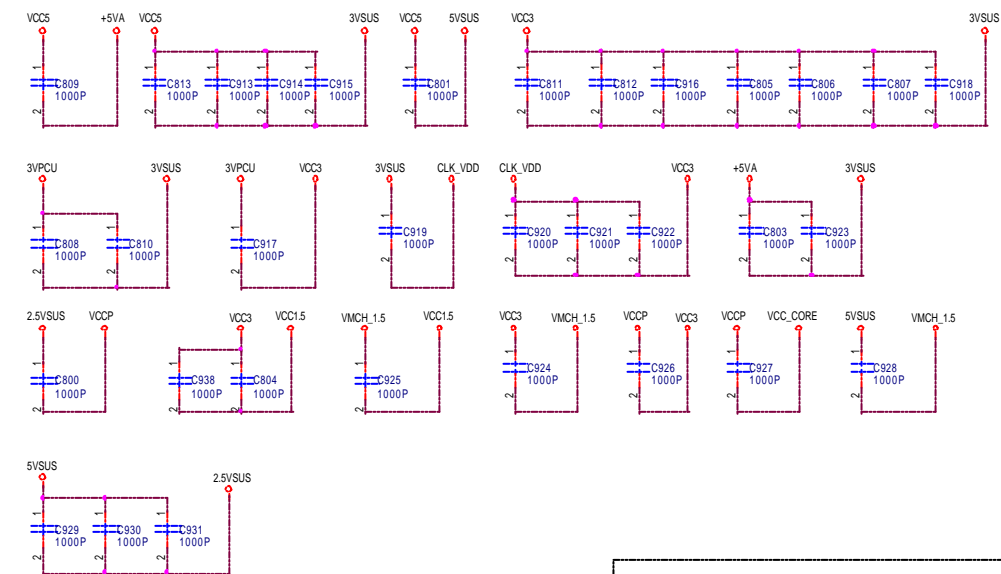
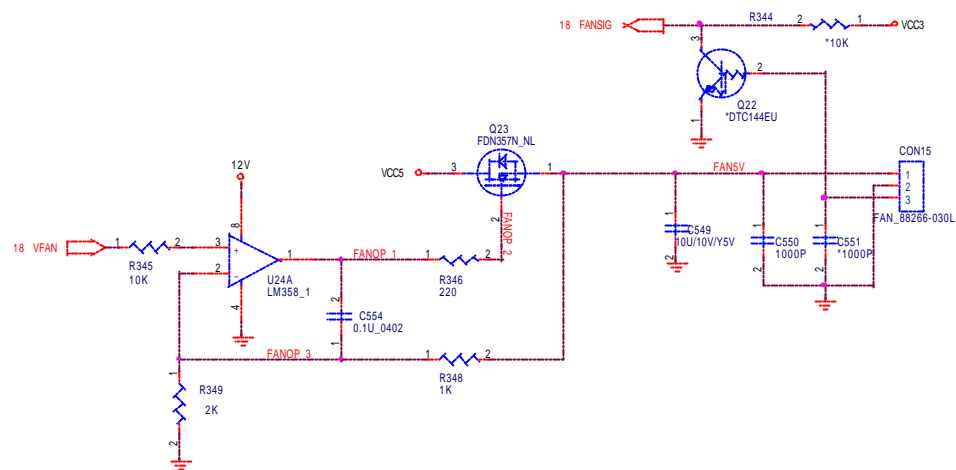
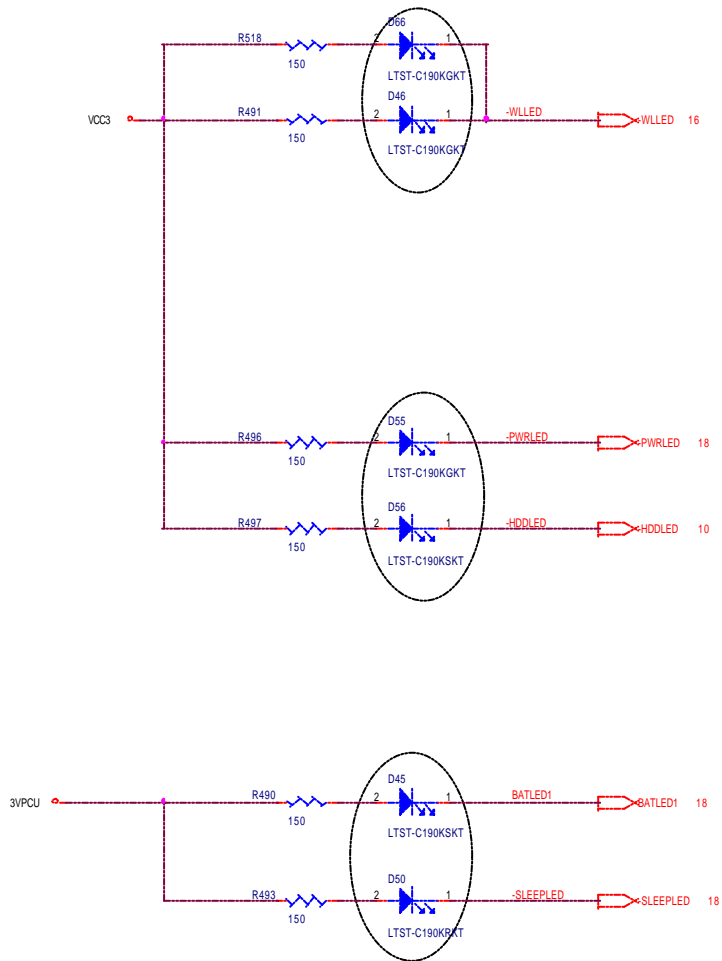
POWER SWITCH




1. This part should not contain any substances which are specified in SS-00259-1
 2. Purchase ink, paint, wire rods and molding resins only from the business partners that Sony approves as Green Partners.

MAIN FAN UNIT

LED GROUP

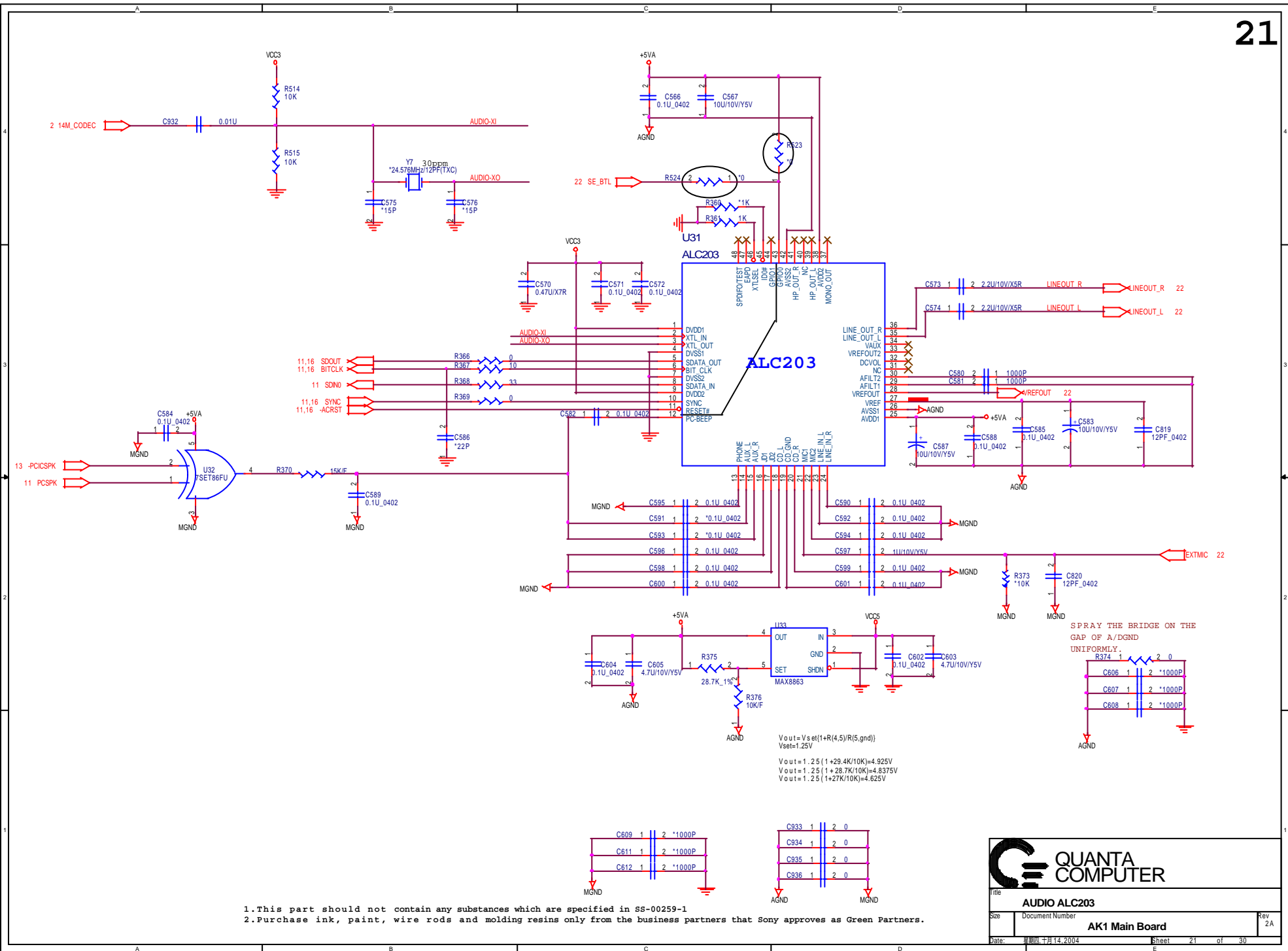


1.This part should not contain any substances which are specified in SS-00259-1
 2.Purchase ink, paint, wire rods and molding resins only from the business partners that Sony approves as Green Partners.



**QUANTA
COMPUTER**

Size	Document Number	Rev
	LED,P/S,C/B CONNECTOR	2A
Date: 2004.12.12		Sheet 20 of 30

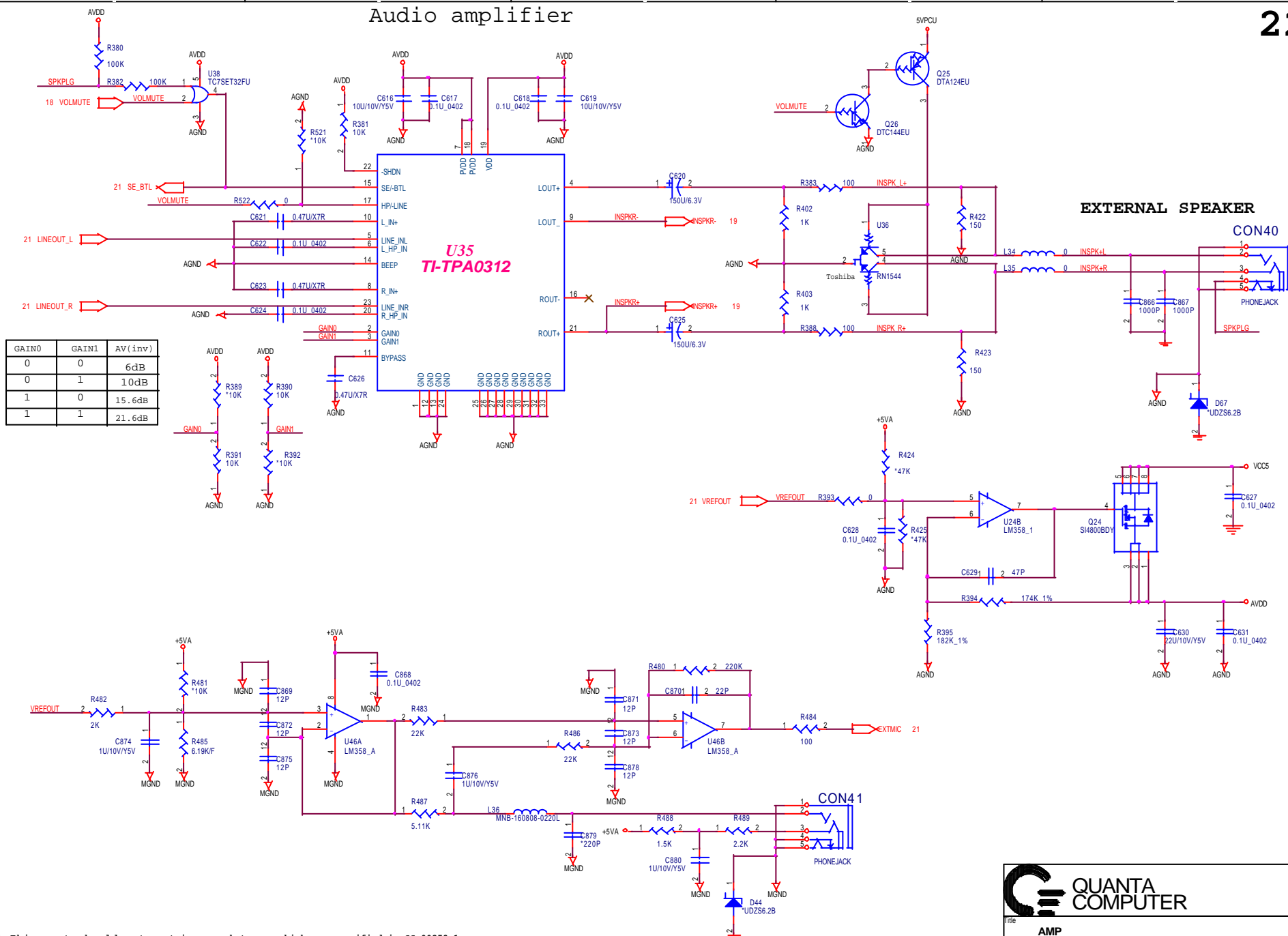


1. This part should not contain any substances which are specified in SS-00259-1
 2. Purchase ink, paint, wire rods and molding resins only from the business partners that Sony approves as Green Partners.



Title		AUDIO ALC203	
Size	Document Number	AK1 Main Board	
Date:	日期: 十月 14, 2004	Sheet	21 of 30
		Rev	2A

Audio amplifier

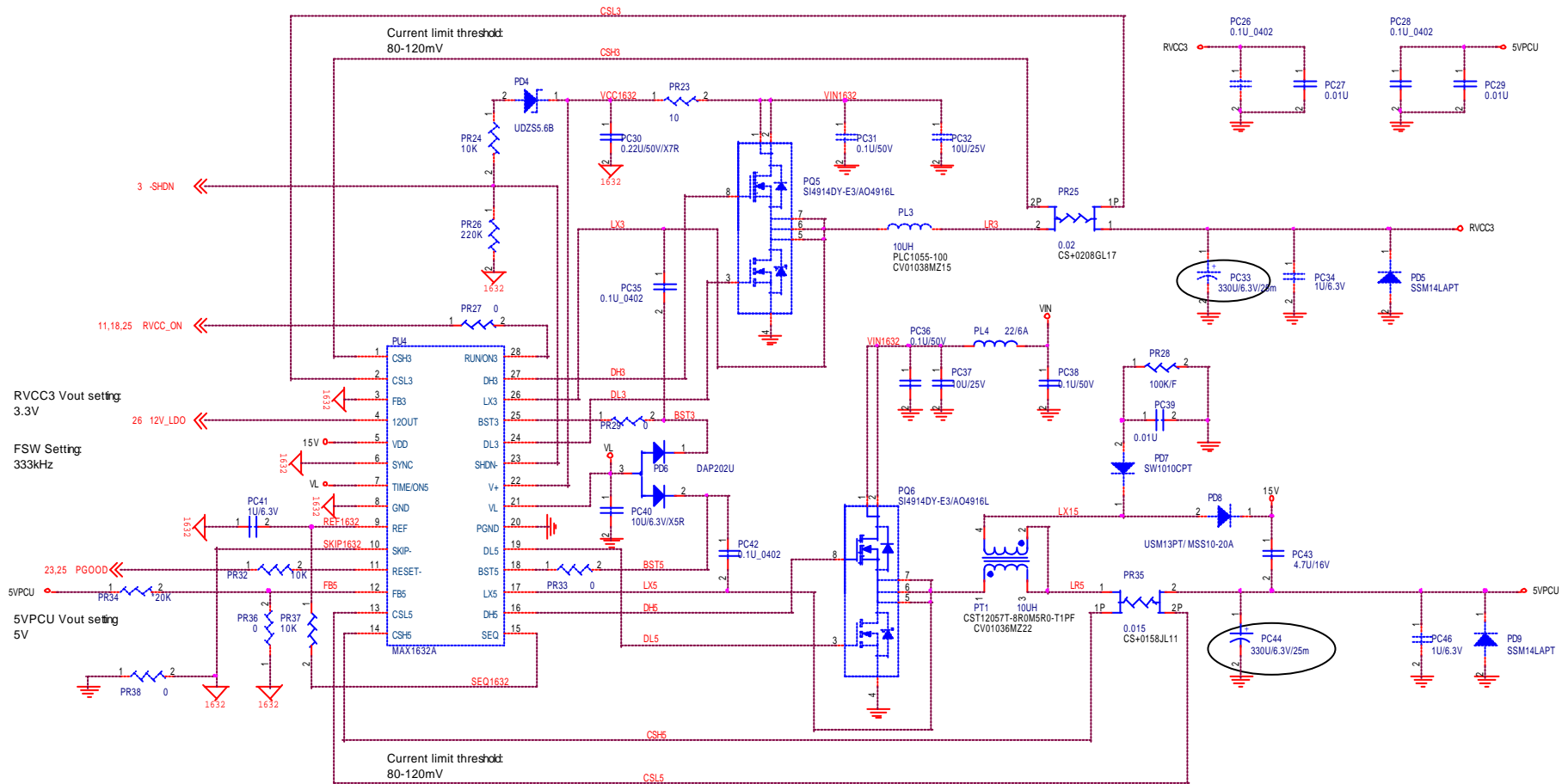
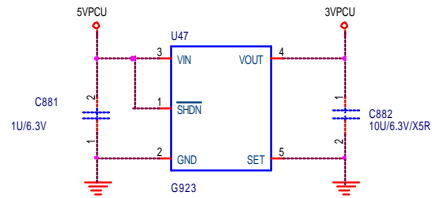


EXTERNAL SPEAKER

1. This part should not contain any substances which are specified in SS-00259-1
 2. Purchase ink, paint, wire rods and molding resins only from the business partners that Sony approves as Green Partners.



Title		AMP	
Size	Document Number	AK1 Main Board	
Date:	Rev	1A	




RVCC3 Vout setting:
3.3V

FSW Setting:
333kHz

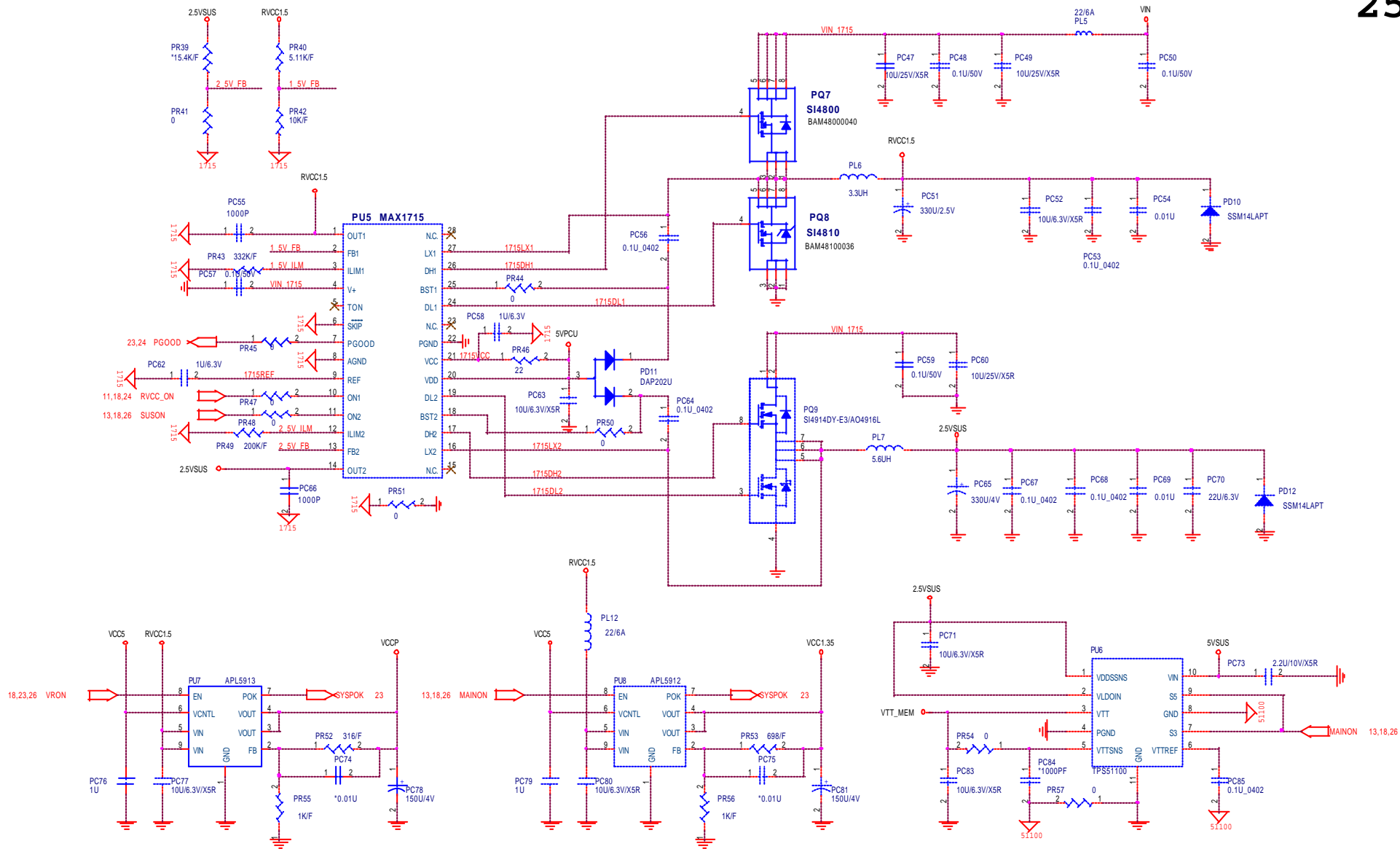
5VPCU Vout setting:
5V

1. This part should not contain any substances which are specified in SS-00259-1
 2. Purchase ink, paint, wire rods and molding resins only from the business partners that Sony approves as Green Partners.




**QUANTA
COMPUTER**

Size	Document Number	AK1 Main Board	Rev
			2A
Date: 2004.10.14		Sheet	24 of 30

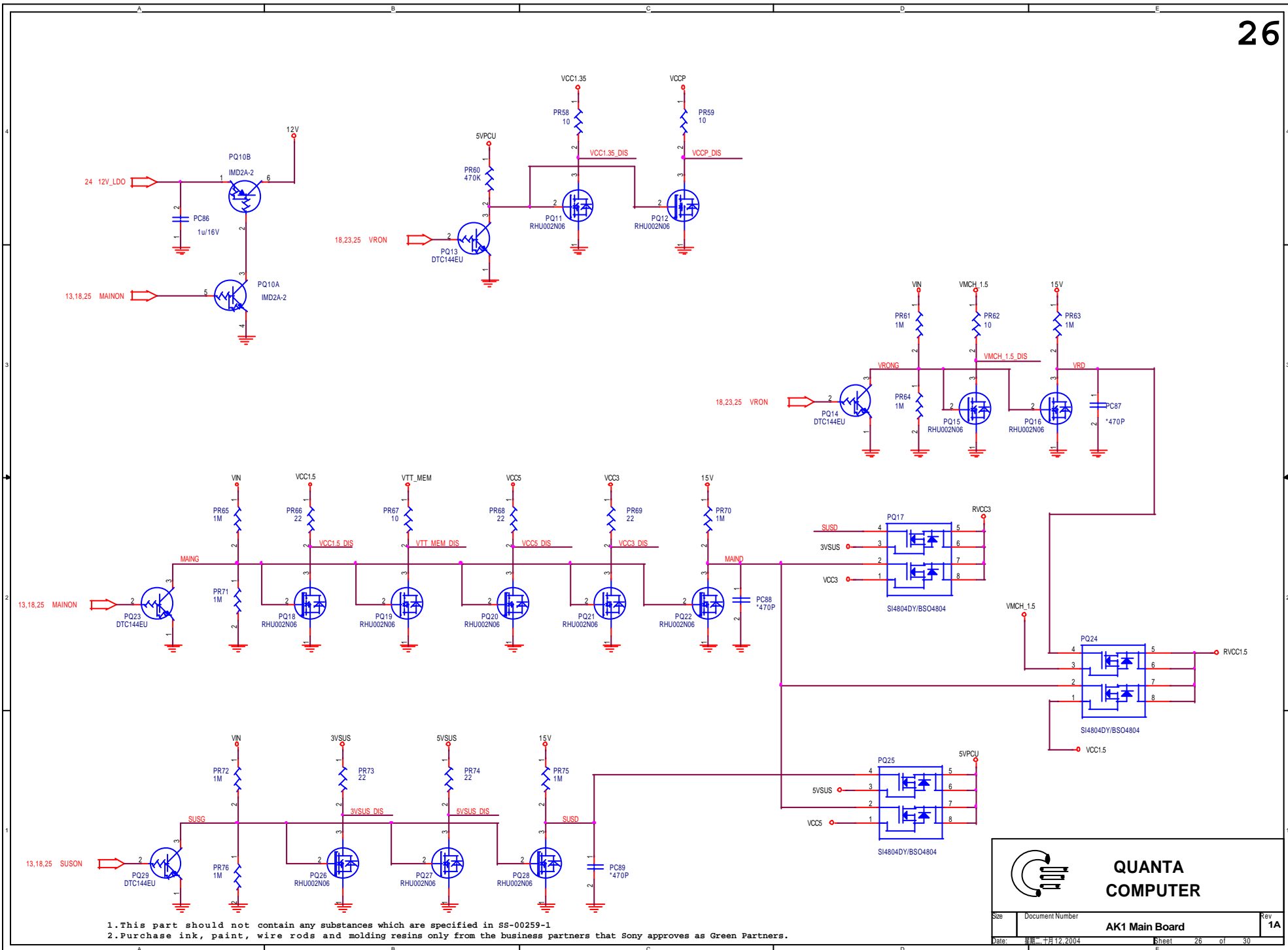


1. This part should not contain any substances which are specified in SS-00259-1
 2. Purchase ink, paint, wire rods and molding resins only from the business partners that Sony approves as Green Partners.



**QUANTA
COMPUTER**

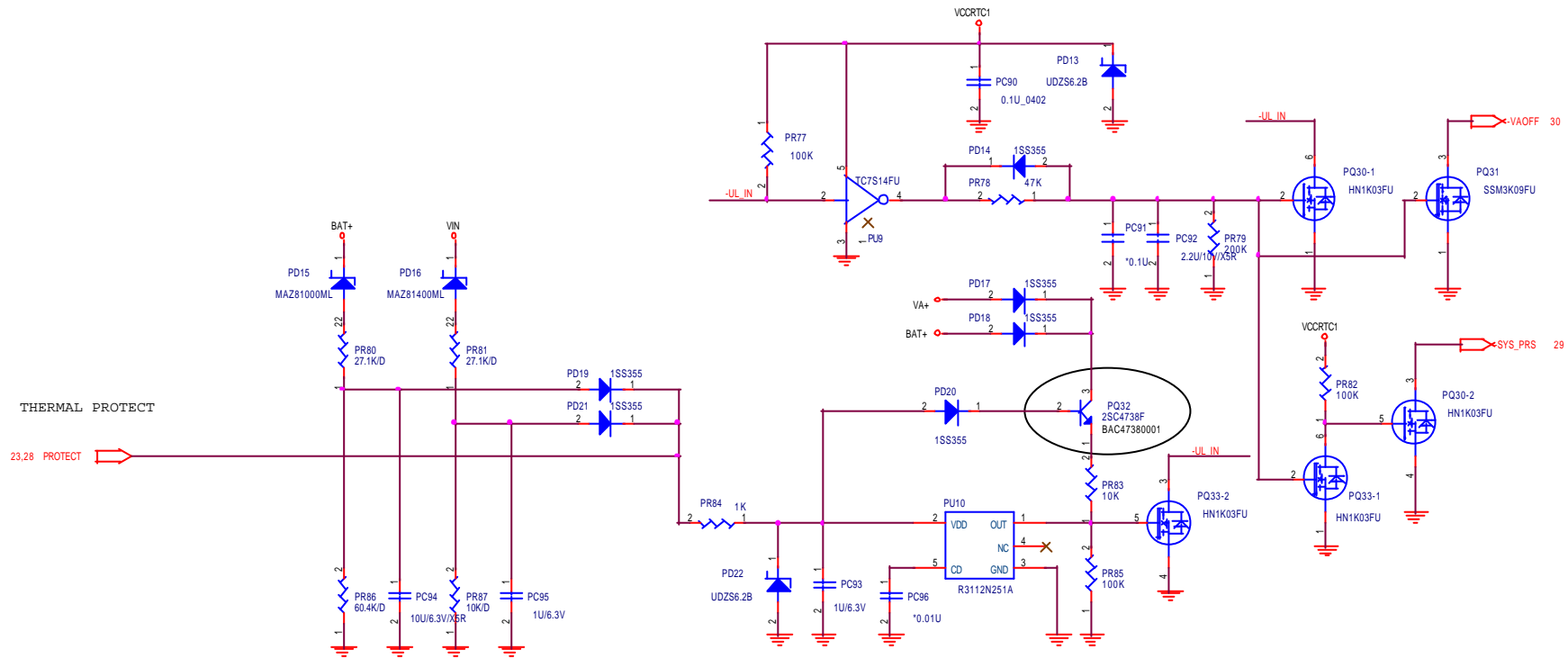
Size	Document Number	AK1 Main Board	Rev 1A
Date:	2004年12月12日	Sheet	25 of 30



1. This part should not contain any substances which are specified in SS-00259-1
 2. Purchase ink, paint, wire rods and molding resins only from the business partners that Sony approves as Green Partners.


QUANTA COMPUTER

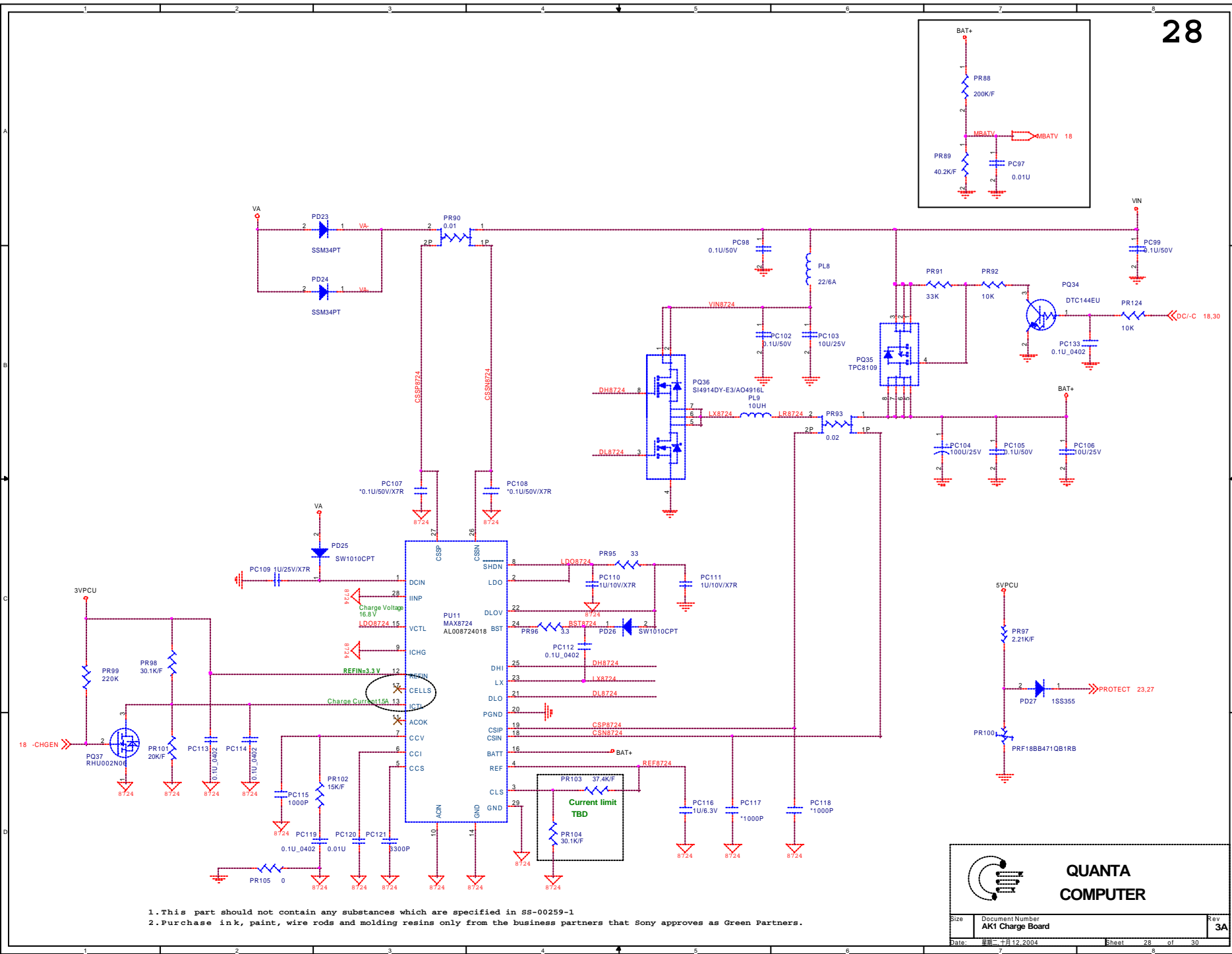
Size	Document Number	AK1 Main Board	Rev
			1A
Date:	2004年12月12日	Sheet	26 of 30




THERMAL PROTECT
23.28 PROTECT

1. This part should not contain any substances which are specified in SS-00259-1
2. Purchase ink, paint, wire rods and molding resins only from the business partners that Sony approves as Green Partners.

 QUANTA COMPUTER		Size	Document Number	Rev
			AK1 Main Board	1A
Date:	2004年12月12日	Sheet	27 of 30	

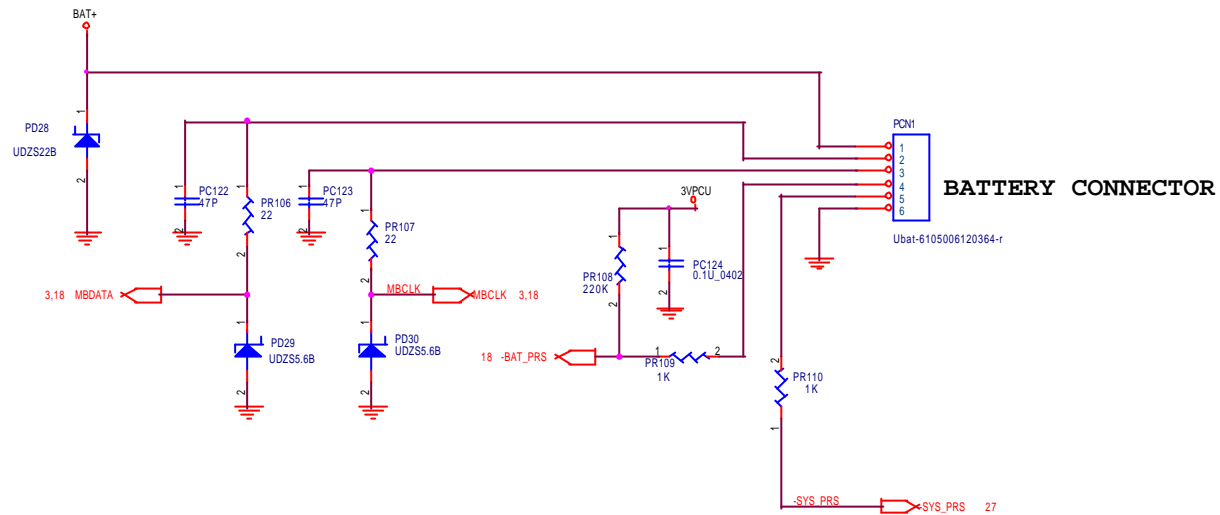


1. This part should not contain any substances which are specified in SS-00259-1
 2. Purchase ink, paint, wire rods and molding resins only from the business partners that Sony approves as Green Partners.




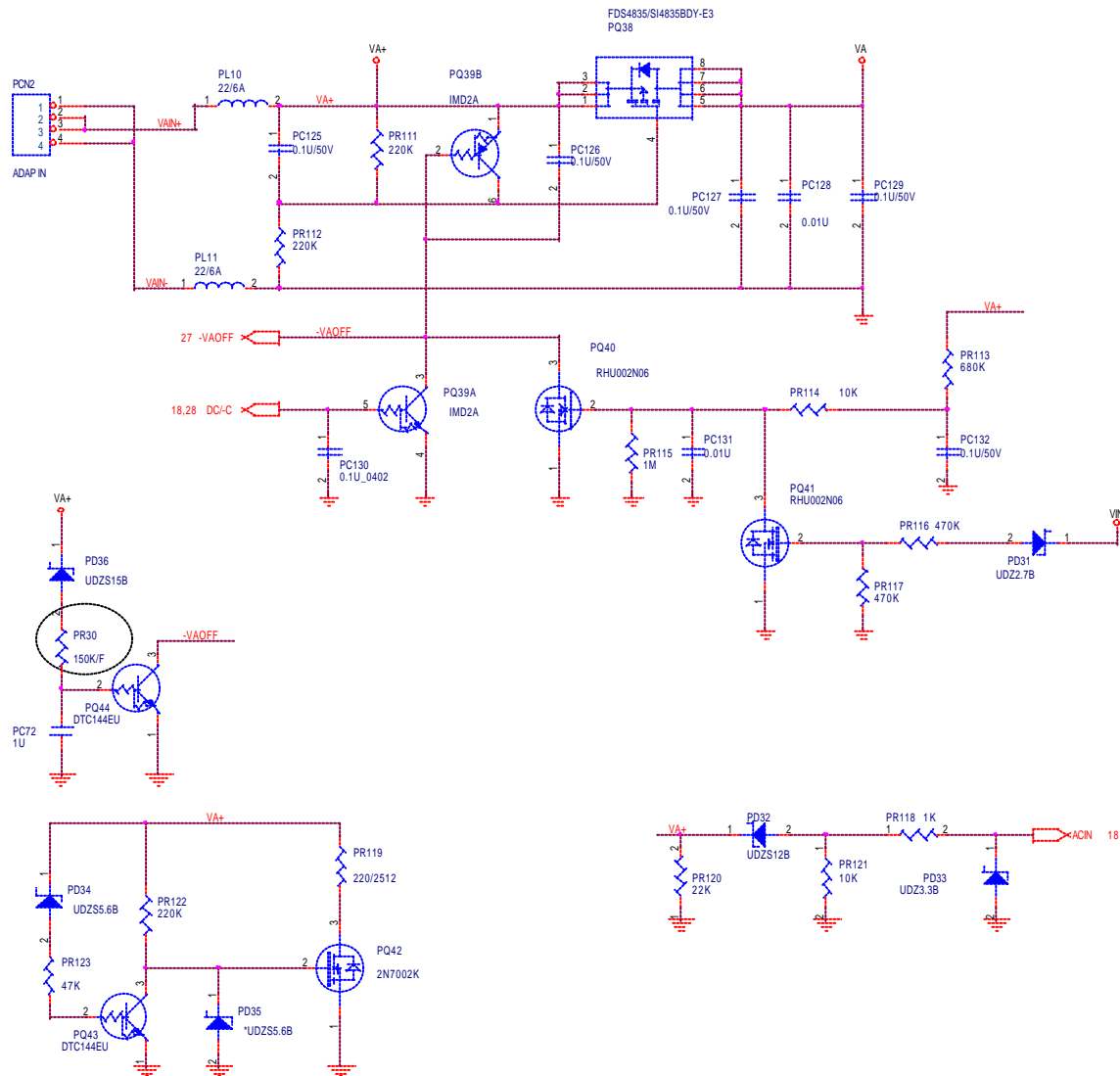
**QUANTA
COMPUTER**

Size	Document Number	Rev
Date: 星期二, 十月 12, 2004	AK1 Charge Board	3A
Sheet	28 of 30	




1. This part should not contain any substances which are specified in SS-00259-1
 2. Purchase ink, paint, wire rods and molding resins only from the business partners that Sony approves as Green Partners.

 QUANTA COMPUTER		Size	Document Number	Rev
			AK1 Main Board	1A
Date:	2004年12月12日	Sheet	29 of 30	



1. This part should not contain any substances which are specified in SS-00259-1
 2. Purchase ink, paint, wire rods and molding resins only from the business partners that Sony approves as Green Partners.

 QUANTA COMPUTER		Size	Document Number	Rev
			AK1 MAIN BOARD	2A
Date:	2004.12.10	Sheet	30 of 30	