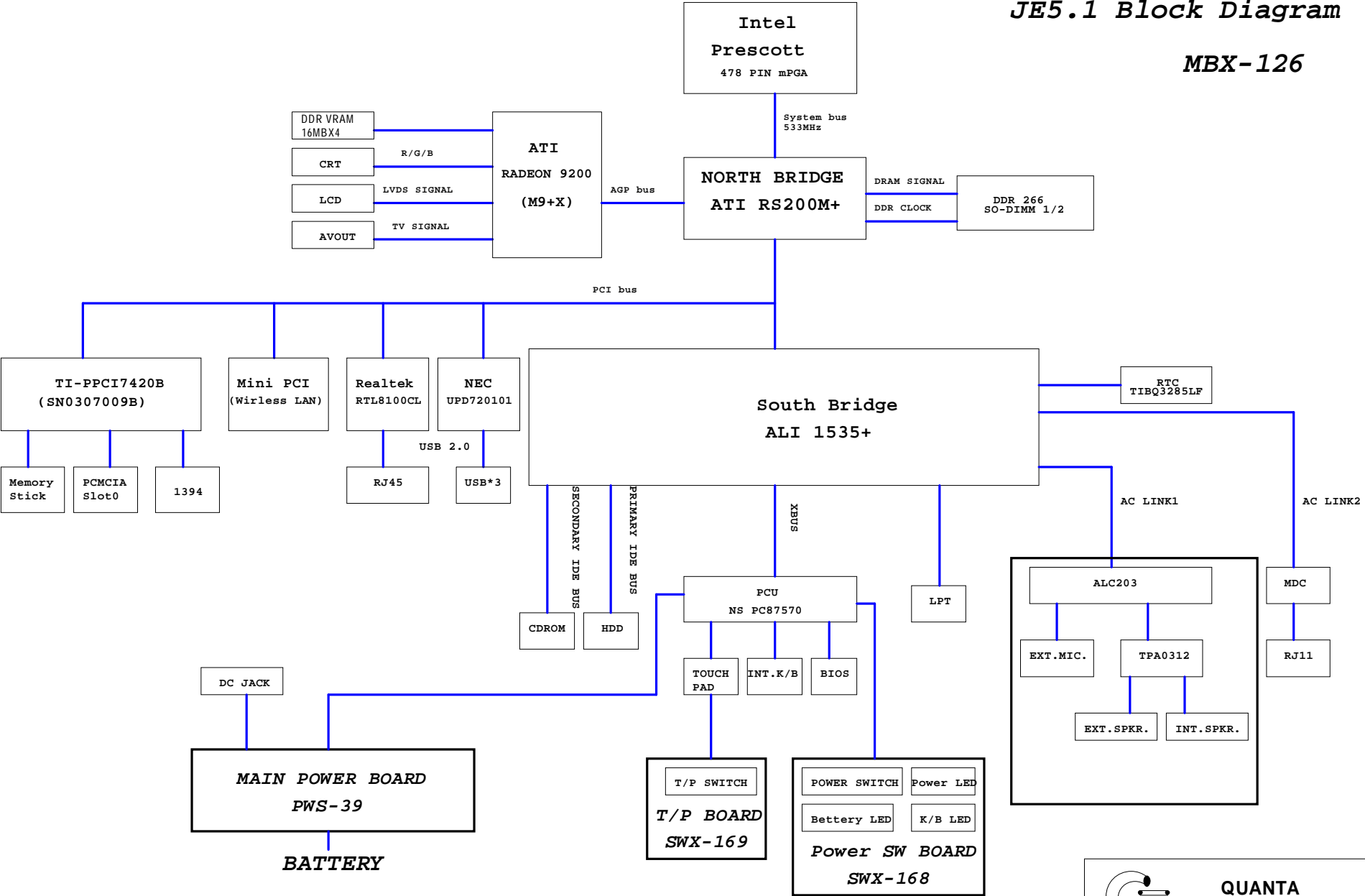



JE5.1 Block Diagram

MBX-126



Level 1 environment-related substances should NEVER be used. Molding resin, ink, paint and covered wiring material should be procured from the supplier approved as a Sony's green partner.




**QUANTA  
COMPUTER**

Size	Document Number	Rev
	JE5.1 Main Board	1A
Date:	Monday, August 30, 2004	Sheet 1 of 36

# Page List

01	Block Diagram
02	Page List
03	Prescott CPU-1
04	Prescott CPU-2
05	RS200M-AGTL+
06	RS200M-DDR I/F
07	RS200M-PCI & AGP I/F
08	RS200M-VIDEO I/F & CLKGEN
09	SYSTEM CONFIGURATION
10	DDR Terminator
11	DDR SODIMMx2
12	CRT PORT/TV
13	ALI M1535+ (PCI,ISA)-1/2
14	ALI M1535+ (IDE)-2/2
15	USB2.0 Controller (NEC-uPD720101)
16	ATI M9+ 1/3
17	ATI M9+ 2/3
18	ATI M9+ 3/3
19	VGA DDR VRAMX2 1/2
20	VGA DDR VRAMX2 2/2
21	AGP SSC
22	TI7420-A (CARDBUS+1394+MS)
23	TI7420-B (CARDBUS+1394+MS)
24	Cardbus slot
25	LAN interface RTL8100CL
26	MiniPCI & MDC
27	RTC/POWER GOOD LOGIC
28	IDE/HDD/LPT Connector
29	PCU NS 87570
30	Int. Keyboard/Bios/FAN
31	VCORE POWER 1
32	MAX1546(VCORE POWER 2)
33	MAX1632(5V/3V/12V)
34	MAX1844(2.5V/1.8V/1.25V )
35	MAX1844(VCC1.5)
36	Load Switch

Level 1 environment-related substances should NEVER be used.  
Molding resin, ink, paint and covered wiring material should be procured from the supplier approved as a Sony's green partner.

			QUANTA COMPUTER
COVER PAGE			
Size B	Document Number JE5.1 Main Board	Rev 1A	
Date: Tuesday, August 31, 2004		Sheet 2 of 36	

5 HA[3..31] HA[3..31]

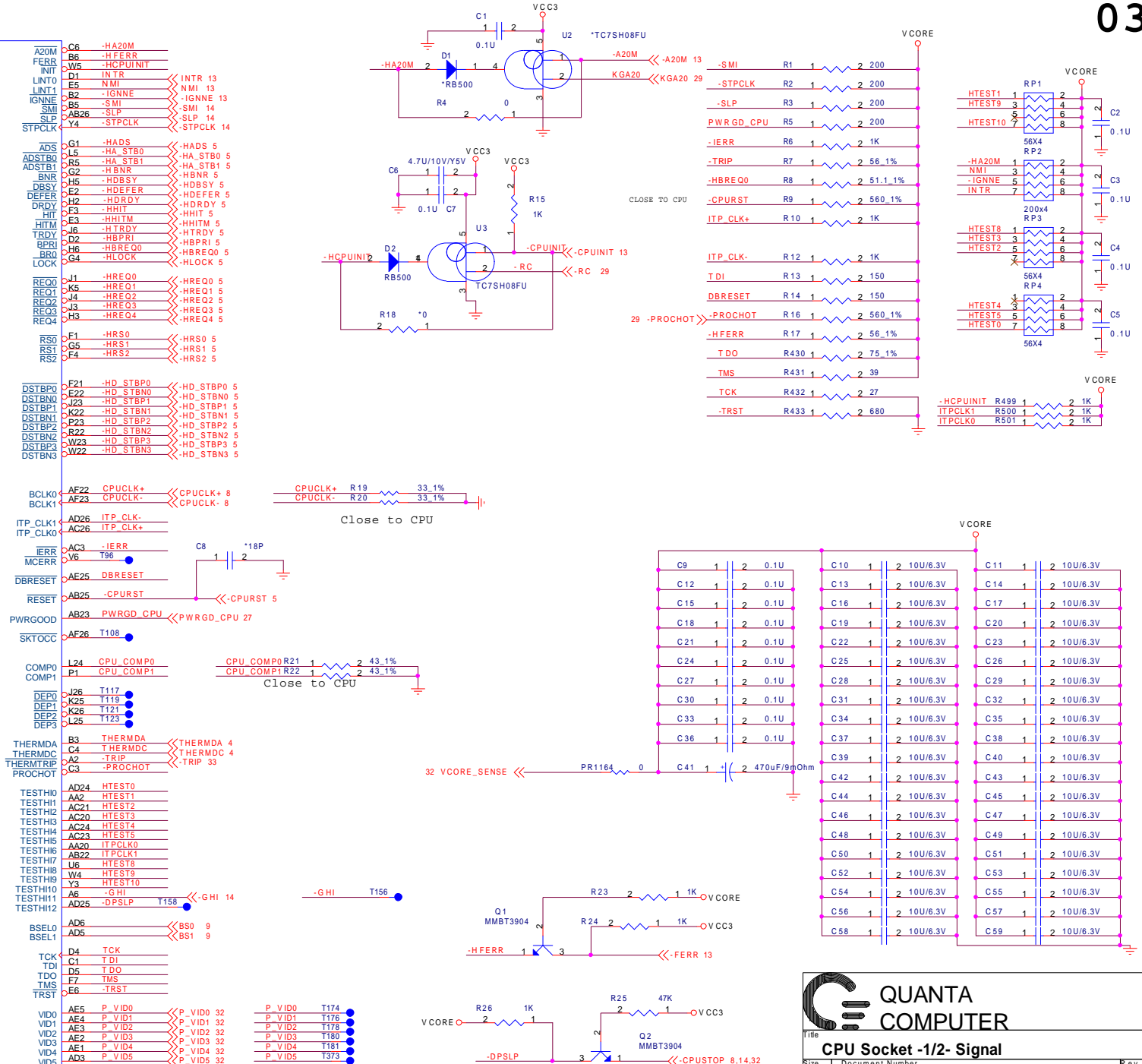
HA3	K2	AF#3
HA4	K4	AF#4
HA5	L4	AF#5
HA6	K3	AF#6
HA7	L3	AF#7
HA8	M3	AF#8
HA9	M3	AF#9
HA10	M3	AF#10
HA11	M4	AF#11
HA12	M4	AF#12
HA13	M1	AF#13
HA14	N2	AF#14
HA15	N2	AF#15
HA16	N3	AF#16
HA17	T1	AF#17
HA18	R2	AF#18
HA19	P2	AF#19
HA20	P2	AF#20
HA21	R3	AF#21
HA22	R3	AF#22
HA23	U1	AF#23
HA24	P4	AF#24
HA25	U3	AF#25
HA26	T4	AF#26
HA27	V2	AF#27
HA28	R6	AF#28
HA29	W1	AF#29
HA30	T3	AF#30
HA31	U4	AF#31
T57	V3	AF#32
T60	W2	AF#33
T62	AB1	AF#34
AB1	AF#35	

5 HD[0..63] HD[0..63]

HD0	B21	DA#0
HD1	A22	DA#1
HD2	A22	DA#2
HD3	A26	DA#3
HD4	C21	DA#4
HD5	D22	DA#5
HD6	B24	DA#6
HD7	C22	DA#7
HD8	C24	DA#8
HD9	B25	DA#9
HD10	G22	DA#10
HD11	H22	DA#11
HD12	C26	DA#12
HD13	D23	DA#13
HD14	J21	DA#14
HD15	D25	DA#15
HD16	H22	DA#16
HD17	E24	DA#17
HD18	G23	DA#18
HD19	F23	DA#19
HD20	F24	DA#20
HD21	F24	DA#21
HD22	F24	DA#22
HD23	D26	DA#23
HD24	L21	DA#24
HD25	G26	DA#25
HD26	H24	DA#26
HD27	M21	DA#27
HD28	L22	DA#28
HD29	J24	DA#29
HD30	K23	DA#30
HD31	H23	DA#31
HD32	M23	DA#32
HD33	N22	DA#33
HD34	P21	DA#34
HD35	M24	DA#35
HD36	N23	DA#36
HD37	M26	DA#37
HD38	N26	DA#38
HD39	N26	DA#39
HD40	R21	DA#40
HD41	R21	DA#41
HD42	R22	DA#42
HD43	R24	DA#43
HD44	T26	DA#44
HD45	T25	DA#45
HD46	T22	DA#46
HD47	T22	DA#47
HD48	U26	DA#48
HD49	U24	DA#49
HD50	U23	DA#50
HD51	U23	DA#51
HD52	U21	DA#52
HD53	V22	DA#53
HD54	V24	DA#54
HD55	W26	DA#55
HD56	Y26	DA#56
HD57	W25	DA#57
HD58	Y23	DA#58
HD59	Y24	DA#59
HD60	Y21	DA#60
HD61	A22	DA#61
HD62	A22	DA#62
HD63	A24	DA#63
DB10	E21	DB#10
DB11	P21	DB#11
DB12	P21	DB#12
DB13	V21	DB#13
DB15	V21	DB#15

5 -HDB[0..3] -HDB[0..3]

U1A ZIF SOCKET479		
A20M	C6	-HA20M
FERR	B6	-HFERR
L4	W5	-HCPUNIT
INTR	D1	INTR
NMI	E5	NMI
IGNNE	B2	-IGNNE
SMI	G5	SMI
SLP	AB26	-SLP
STPCLK	Y4	-STPCLK
HADS	G1	-HADS
HA_STB0	L5	-HA_STB0
HA_STB1	R5	-HA_STB1
HBNR	G2	-HBNR
HDBSY	H5	-HDBSY
HDEFER	E2	-HDEFER
HDRDY	H2	-HDRDY
HHITM	E3	-HHITM
HTRDY	J6	-HTRDY
HBPR1	D2	-HBPR1
HBREQ0	H6	-HBREQ0
HLOCK	G4	-HLOCK
HREQ0	J1	-HREQ0
HREQ1	K5	-HREQ1
HREQ2	J4	-HREQ2
HREQ3	U3	-HREQ3
HREQ4	H3	-HREQ4
HRS0	F1	-HRS0
HRS1	G5	-HRS1
HRS2	F4	-HRS2
HD_STBP0	F21	-HD_STBP0
HD_STBP1	J23	-HD_STBP1
HD_STBN1	K22	-HD_STBN1
HD_STBP2	P23	-HD_STBP2
HD_STBN2	R22	-HD_STBN2
HD_STBP3	W23	-HD_STBP3
HD_STBN3	W22	-HD_STBN3
CPUCLK+	AF22	CPUCLK+
CPUCLK-	AF23	CPUCLK-
ITP_CLK	AD26	ITP_CLK
ITP_CLK+	AC26	ITP_CLK+
IERR	AC3	-IERR
DBRESET	AE25	DBRESET
CPURST	AB25	-CPURST
PWRGD_CPU	AB23	PWRGD_CPU
CPU_COMP0	L24	CPU_COMP0
CPU_COMP1	P1	CPU_COMP1
THERMDA	B3	THERMDA
THERMDC	C4	THERMDC
TRIP	A2	-TRIP
PROCHOT	C3	-PROCHOT
HTEST0	AD24	HTEST0
HTEST1	AA2	HTEST1
HTEST2	AC21	HTEST2
HTEST3	AC20	HTEST3
HTEST4	AC24	HTEST4
HTEST5	AC23	HTEST5
ITPCLK0	AA20	ITPCLK0
ITPCLK1	AB22	ITPCLK1
HTEST6	U6	HTEST6
HTEST7	W4	HTEST7
HTEST8	Y3	HTEST8
HTEST9	W4	HTEST9
HTEST10	Y3	HTEST10
GHI	A6	-GHI
DPSLP	AD25	-DPSLP
B50	AD6	B50
B51	AD5	B51
TCK	D4	TCK
TDI	C1	TDI
TDO	D5	TDO
TMS	E7	TMS
TRST	E6	-TRST
P_VID0	AE5	P_VID0
P_VID1	AE4	P_VID1
P_VID2	AE3	P_VID2
P_VID3	AE2	P_VID3
P_VID4	AE1	P_VID4
P_VID5	AD3	P_VID5
T174	P_VID0	T174
T176	P_VID1	T176
T178	P_VID2	T178
T180	P_VID3	T180
T181	P_VID4	T181
T373	P_VID5	T373



Level 1 environment-related substances should NEVER be used.  
Molding resin, ink, paint and covered wiring material should be procured from the supplier approved as a Sony's green partner.

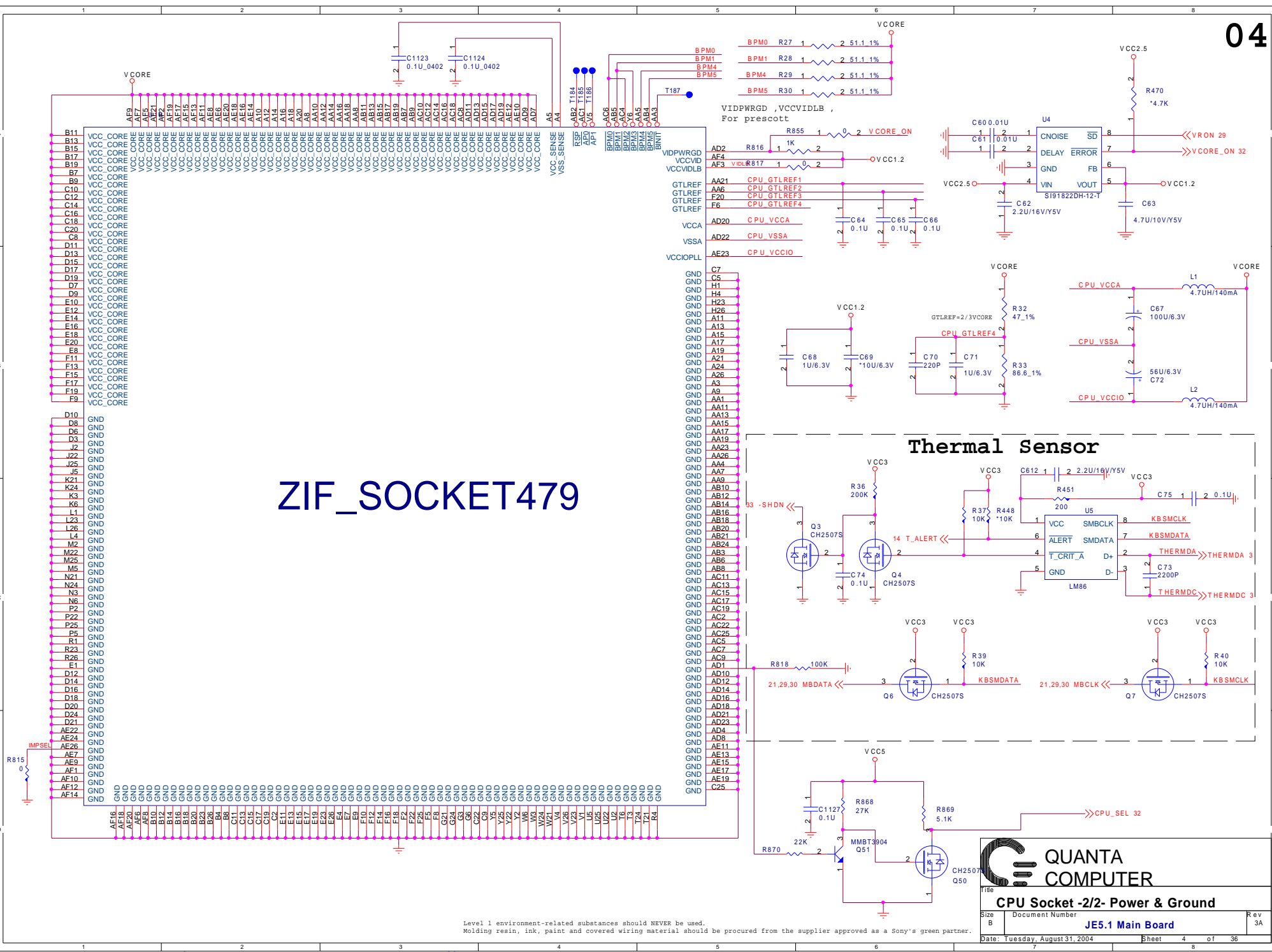
**QUANTA COMPUTER**

File: **CPU Socket -1/2- Signal**

Size	Document Number	Rev
B	<b>JE5.1 Main Board</b>	3A

Date: Tuesday, August 31, 2004 Sheet 3 of 36

# ZIF\_SOCKET479



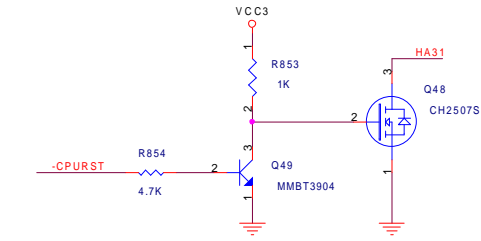
Level 1 environment-related substances should NEVER be used.  
 Molding resin, ink, paint and covered wiring material should be procured from the supplier approved as a Sony's green partner.

**QUANTA COMPUTER**

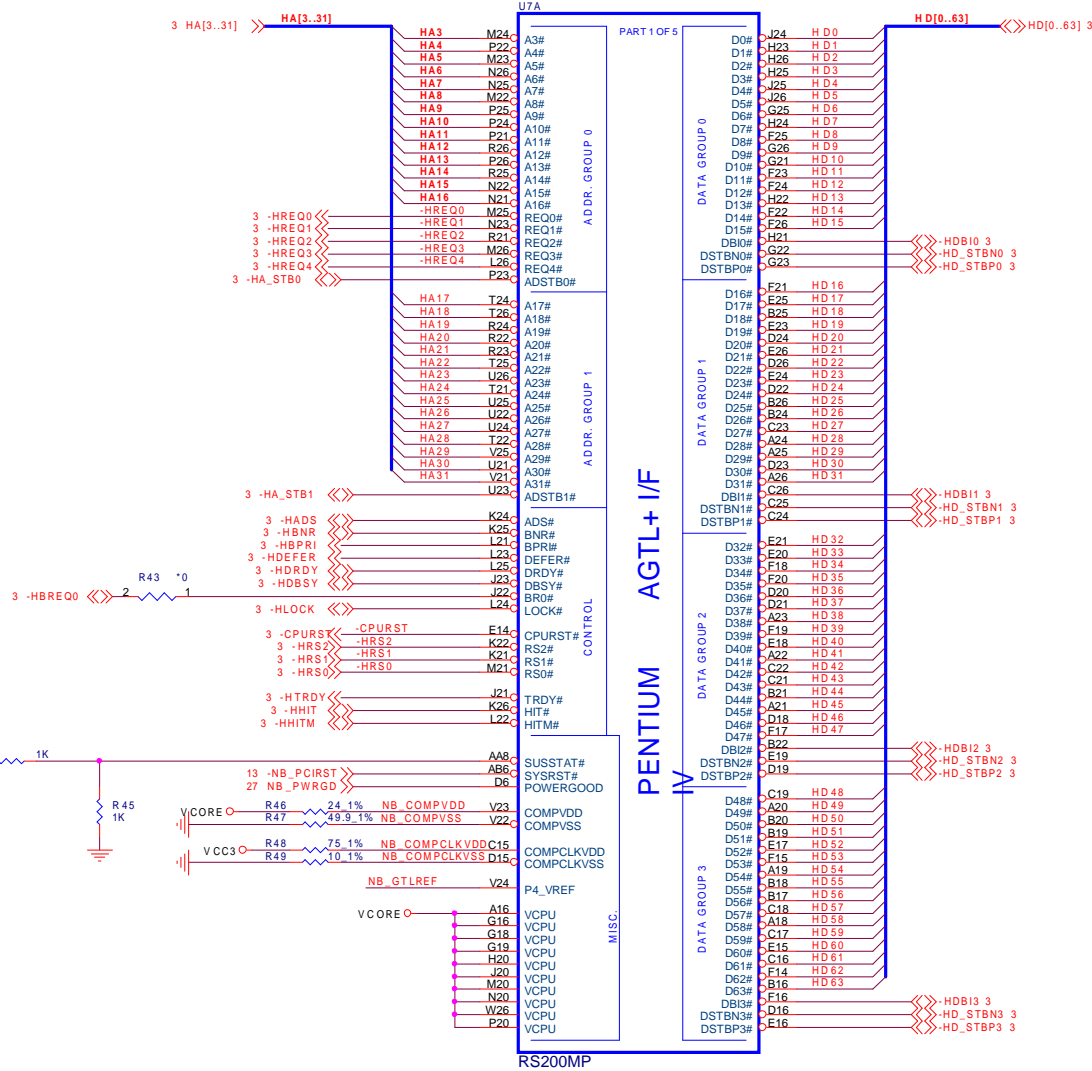
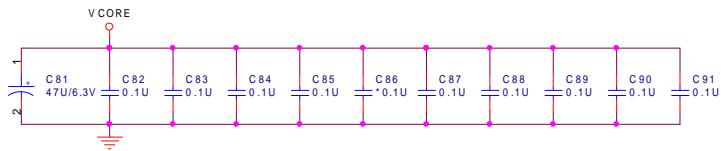
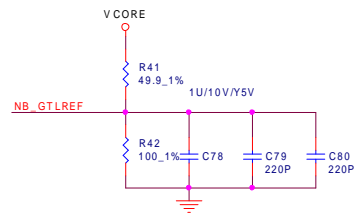
**CPU Socket -2/2- Power & Ground**

Size B	Document Number	JE5.1 Main Board	Rev 3A
--------	-----------------	------------------	--------

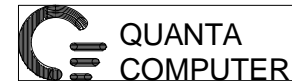
Date: Tuesday, August 31, 2004 Sheet 4 of 36



Disable HT



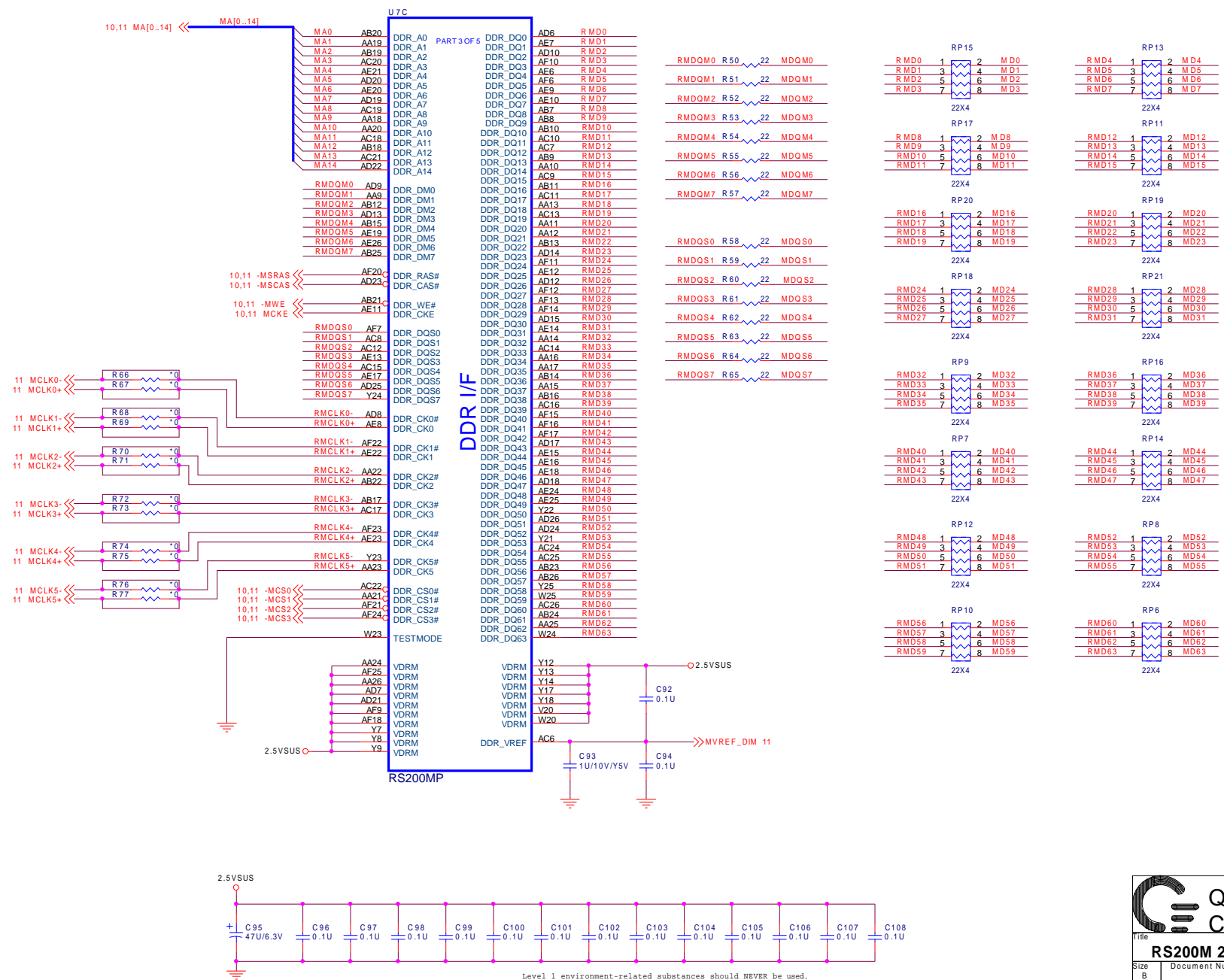
Level 1 environment-related substances should NEVER be used.  
 Molding resin, ink, paint and covered wiring material should be procured from the supplier approved as a Sony's green partner.



RS200M 1/4  
 JE5.1 Main Board

Size B	Document Number	Rev 2A
Date: Tuesday, August 31, 2004	Sheet 5 of 36	

MD[0..63] >> MD[0..63] 10,11  
 MDQM[0..7] >> MDQM[0..7] 10,11  
 MDQS[0..7] >> MDQS[0..7] 10,11



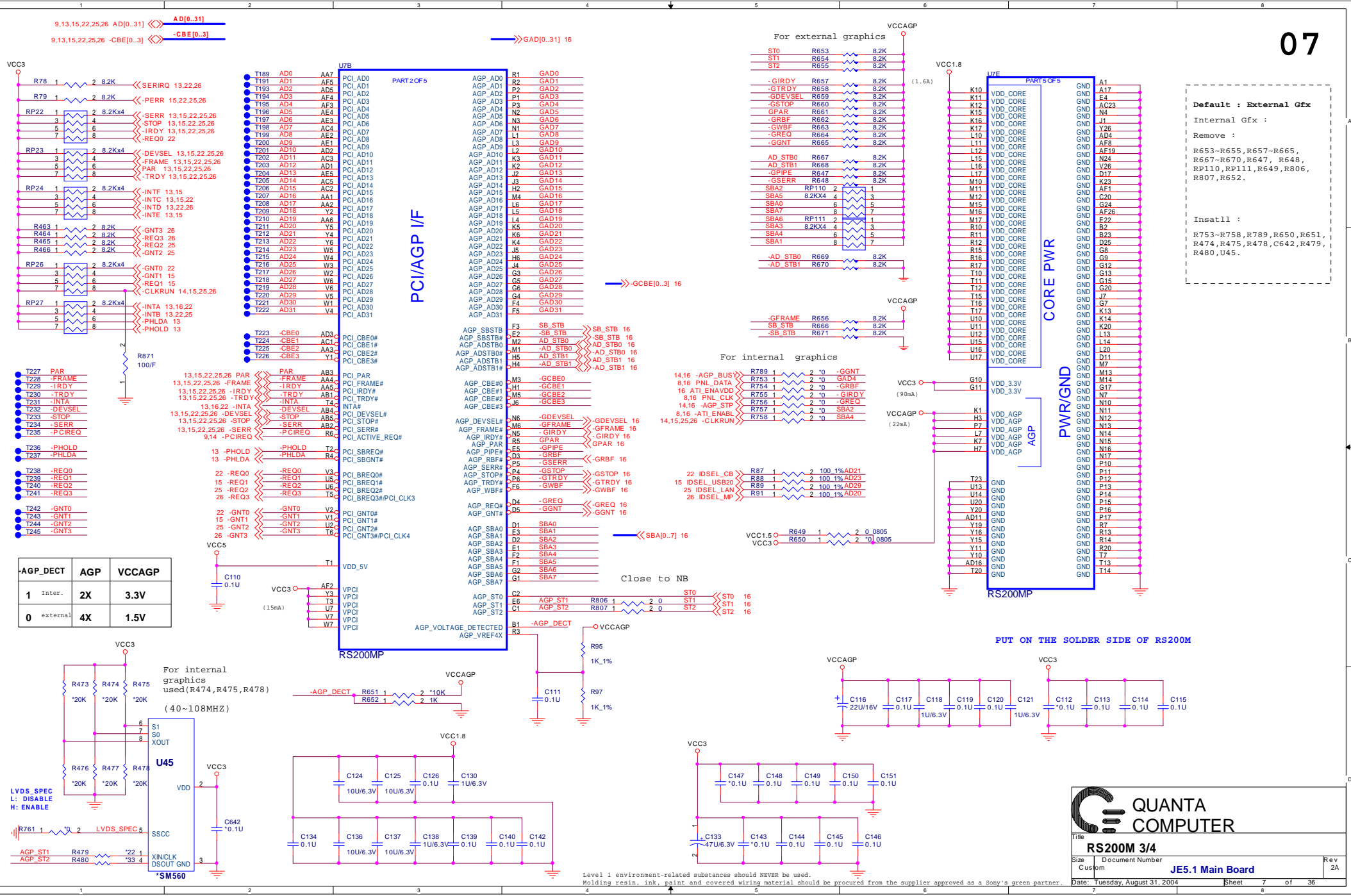
**QUANTA COMPUTER**

File: **RS200M 2/4**

Size B | Document Number **JE5.1 Main Board** | Rev 1A

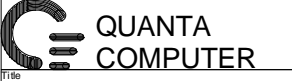
Date: Tuesday, August 31, 2004 | Sheet 6 of 36

Level 1 environment-related substances should NEVER be used.  
 Molding resin, ink, paint and covered wiring material should be procured from the supplier approved as a Sony's green partner.



Default : External Gfx  
 Internal Gfx :  
 Remove :  
 R653-R655, R657-R665,  
 R667-R670, R647, R648,  
 RP10, RP11, R649, R806,  
 R807, R652.

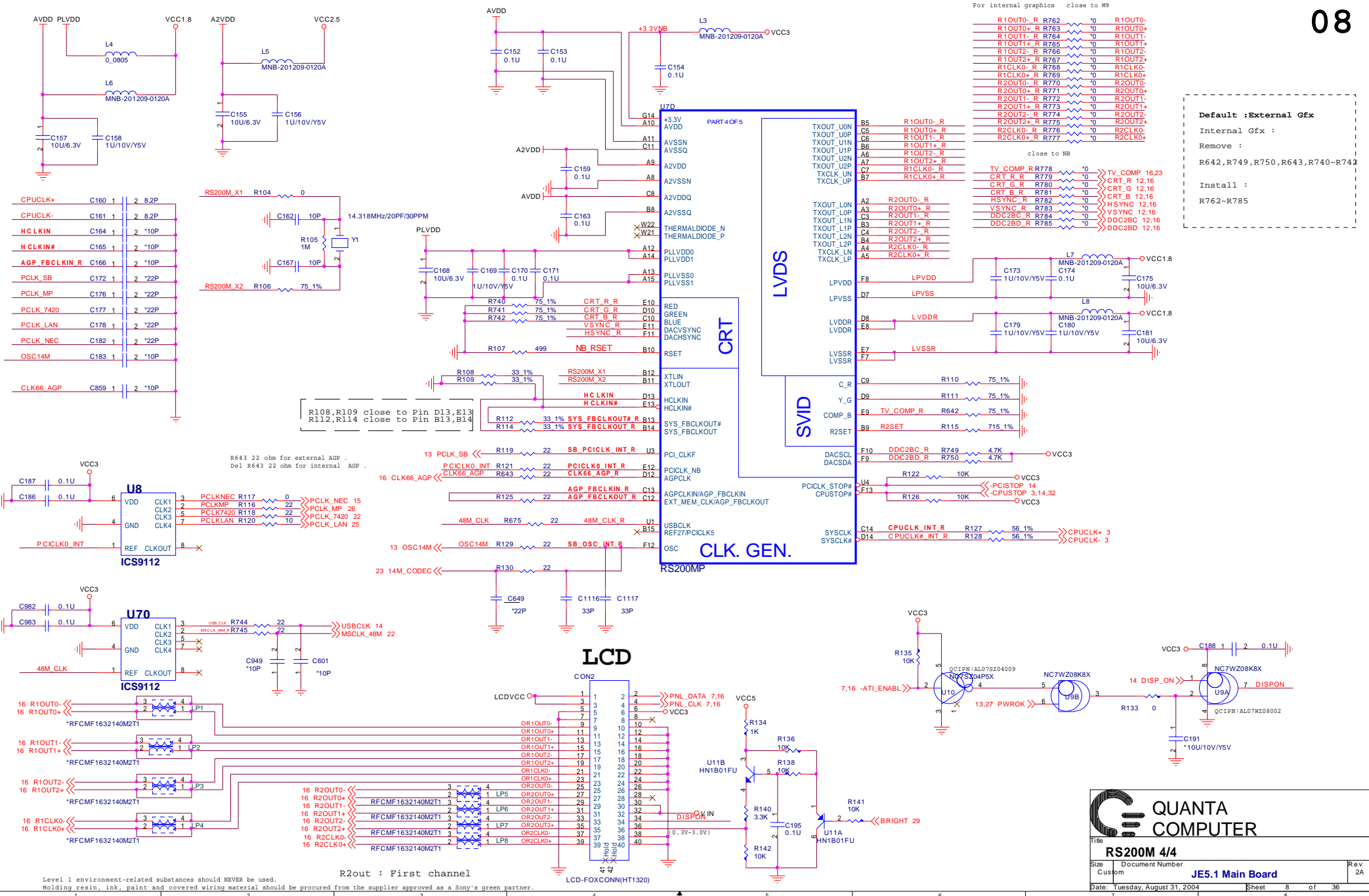
Install1 :  
 R753-R758, R789, R650, R651,  
 R474, R475, R478, C642, R479,  
 R480, U45.



Title: RS200M 3/4  
 Size: Document Number  
 Cus:pm JE5.1 Main Board  
 Date: Tuesday, August 31, 2004  
 Sheet 7 of 36  
 Rev 2A

Level 1 environment-related substances should NEVER be used.  
 Molding resin, ink, paint and covered wiring material should be procured from the supplier approved as a Sony's green partner.





For internal graphics close to M9

R1OUT0- R	R762	0	R1OUT0-
R1OUT0+ R	R763	0	R1OUT0+
R1OUT1- R	R764	0	R1OUT1-
R1OUT1+ R	R765	0	R1OUT1+
R1OUT2- R	R766	0	R1OUT2-
R1OUT2+ R	R767	0	R1OUT2+
R1CLK0- R	R768	0	R1CLK0-
R1CLK0+ R	R769	0	R1CLK0+
R2OUT0- R	R770	0	R2OUT0-
R2OUT0+ R	R771	0	R2OUT0+
R2OUT1- R	R772	0	R2OUT1-
R2OUT1+ R	R773	0	R2OUT1+
R2OUT2- R	R774	0	R2OUT2-
R2OUT2+ R	R775	0	R2OUT2+
R2CLK0- R	R776	0	R2CLK0-
R2CLK0+ R	R777	0	R2CLK0+

close to NB

TV_COMP R	R778	0	TV_COMP 1623
CRT R R	R779	0	CRT R 12.16
CRT G R	R780	0	CRT G 12.16
CRT B R	R781	0	CRT B 12.16
HSYNC R	R782	0	HSYNC 12.16
VSYNC R	R783	0	VSYNC 12.16
DDC2B R	R784	0	DDC2B 12.16
DDC2D R	R785	0	DDC2D 12.16

Default : External Gfx  
Internal Gfx :  
Remove :  
R642, R749, R750, R643, R740-R742  
Install :  
R762-R785

R108, R109 close to Pin D13, E13  
R112, R114 close to Pin B13, B14

R643 22 ohm for external AGP .  
Del R643 22 ohm for internal AGP .

R2out : First channel  
LCD-FOXCONN(HT1320)

**QUANTA COMPUTER**

Title: **RS200M 4/4**

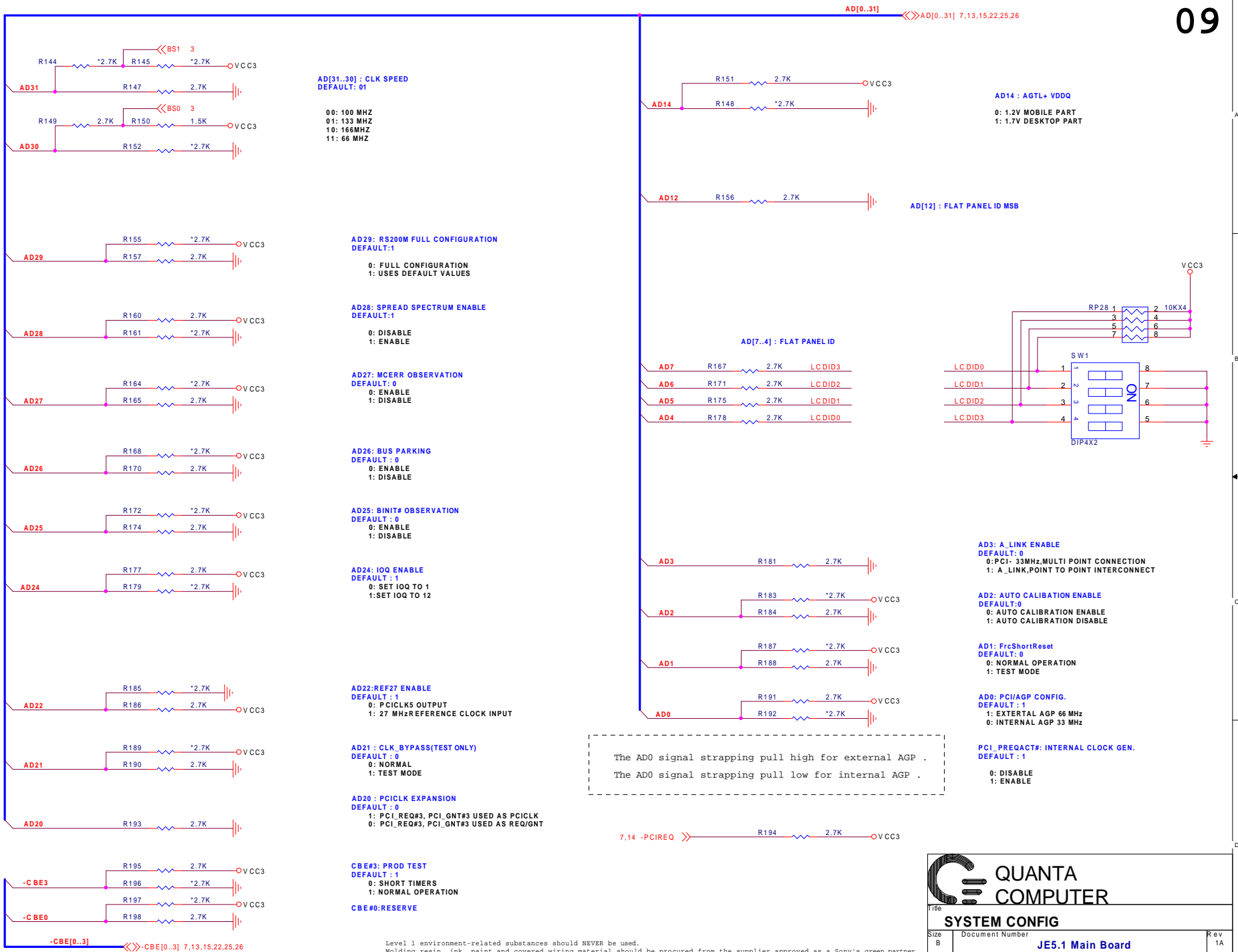
Size: **JE5.1 Main Board**

Document Number: **JE5.1 Main Board**

Date: **Tuesday, August 31, 2004** Sheet **8** of **36**

Rev **2A**





The AD0 signal strapping pull high for external AGP .  
 The AD0 signal strapping pull low for internal AGP .

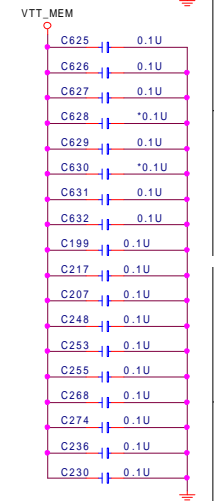
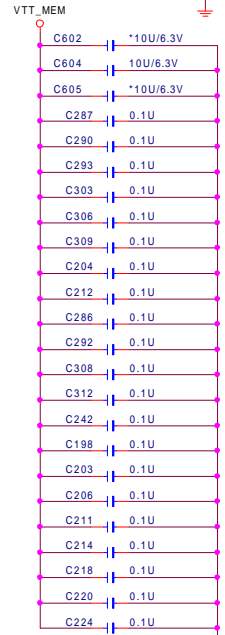
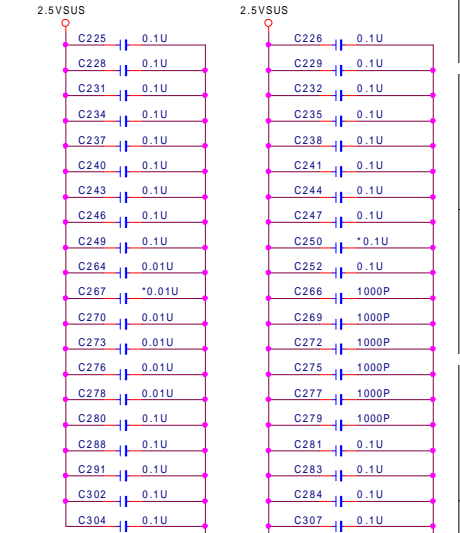
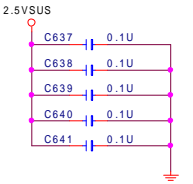
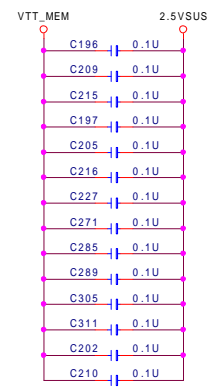
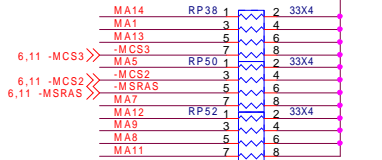
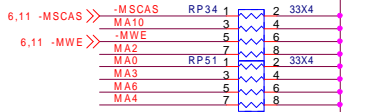
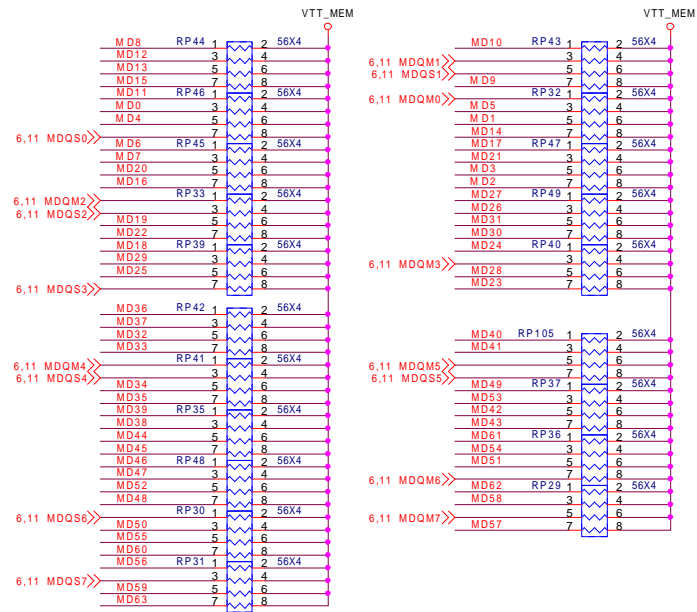
**QUANTA COMPUTER**

**SYSTEM CONFIG**

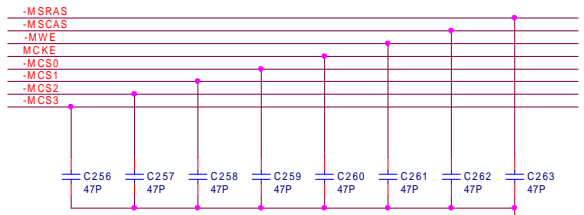
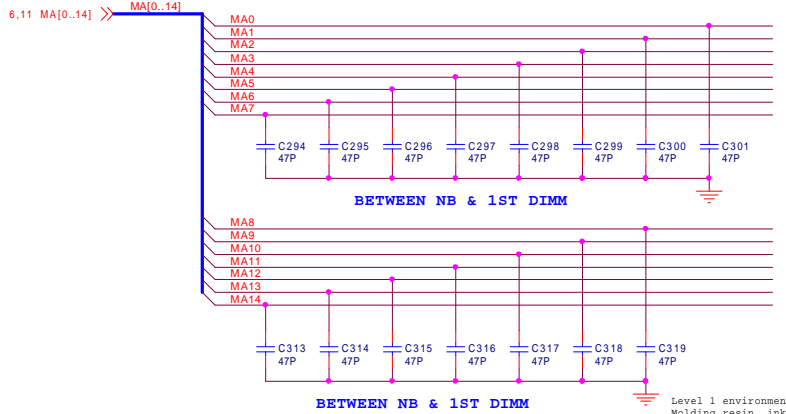
File	Document Number	Rev
Size	<b>JE5.1 Main Board</b>	1A
Date: Tuesday, August 31, 2004	Sheet 9 of 36	

Level 1 environment-related substances should NEVER be used.  
 Molding resin, ink, paint and covered wiring material should be procured from the supplier approved as a Sony's green partner.

# DDR TERMINATOR



# MA Terminator



Level 1 environment-related substances should NEVER be used.  
Molding resin, ink, paint and covered wiring material should be procured from the supplier approved as a Sony's green partner.

**QUANTA COMPUTER**

File: **Memory -1/2- Terminator**

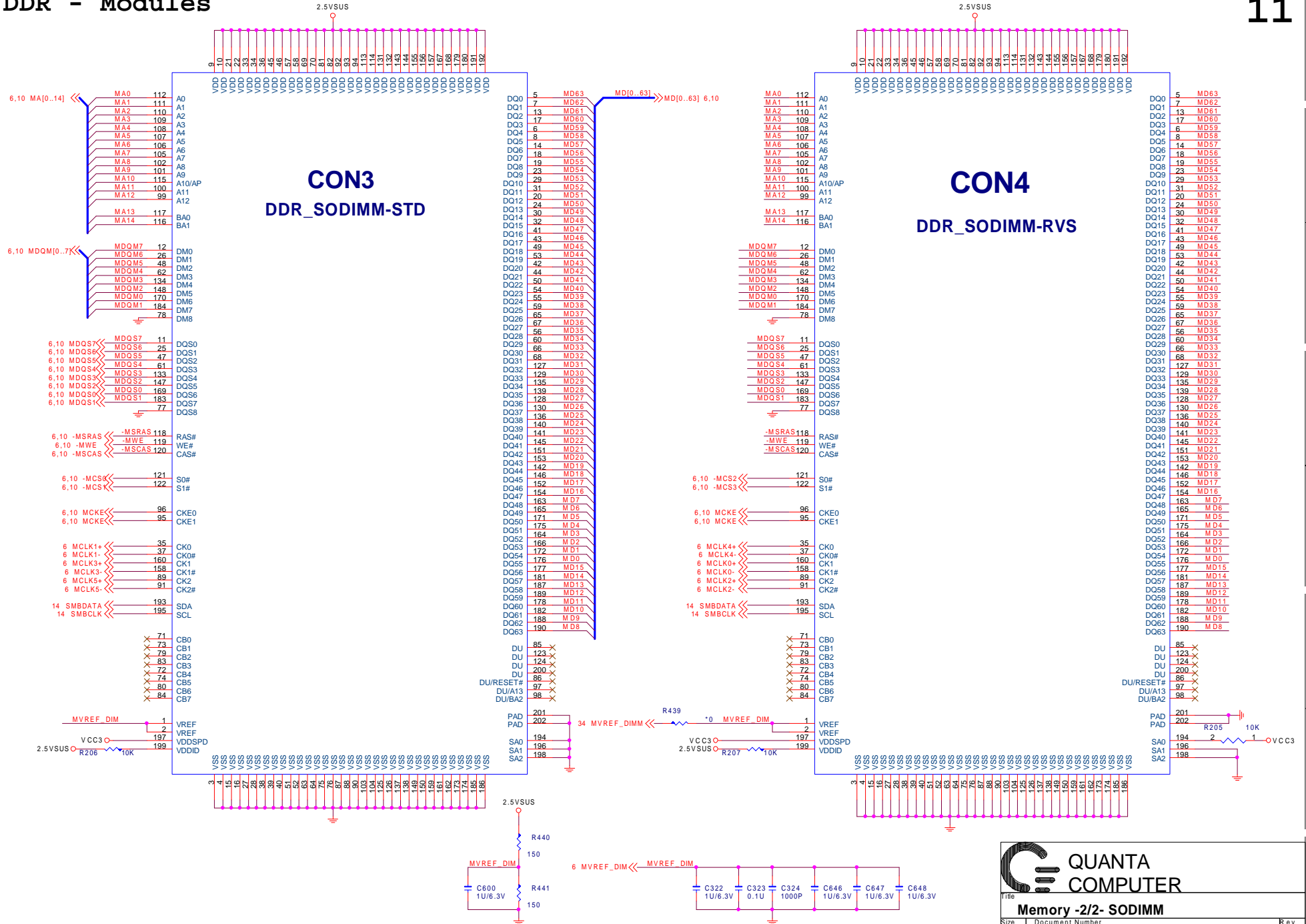
Size B Document Number **JE5.1 Main Board** Rev 1A

Date: Tuesday, August 31, 2004 Sheet 10 of 36

# DDR - Modules

## CON3 DDR\_SODIMM-STD

## CON4 DDR\_SODIMM-RVS



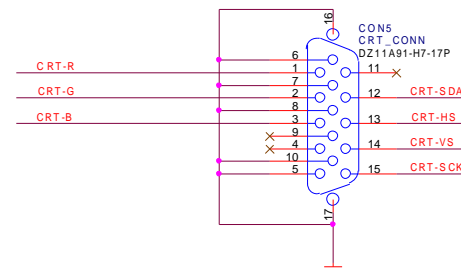
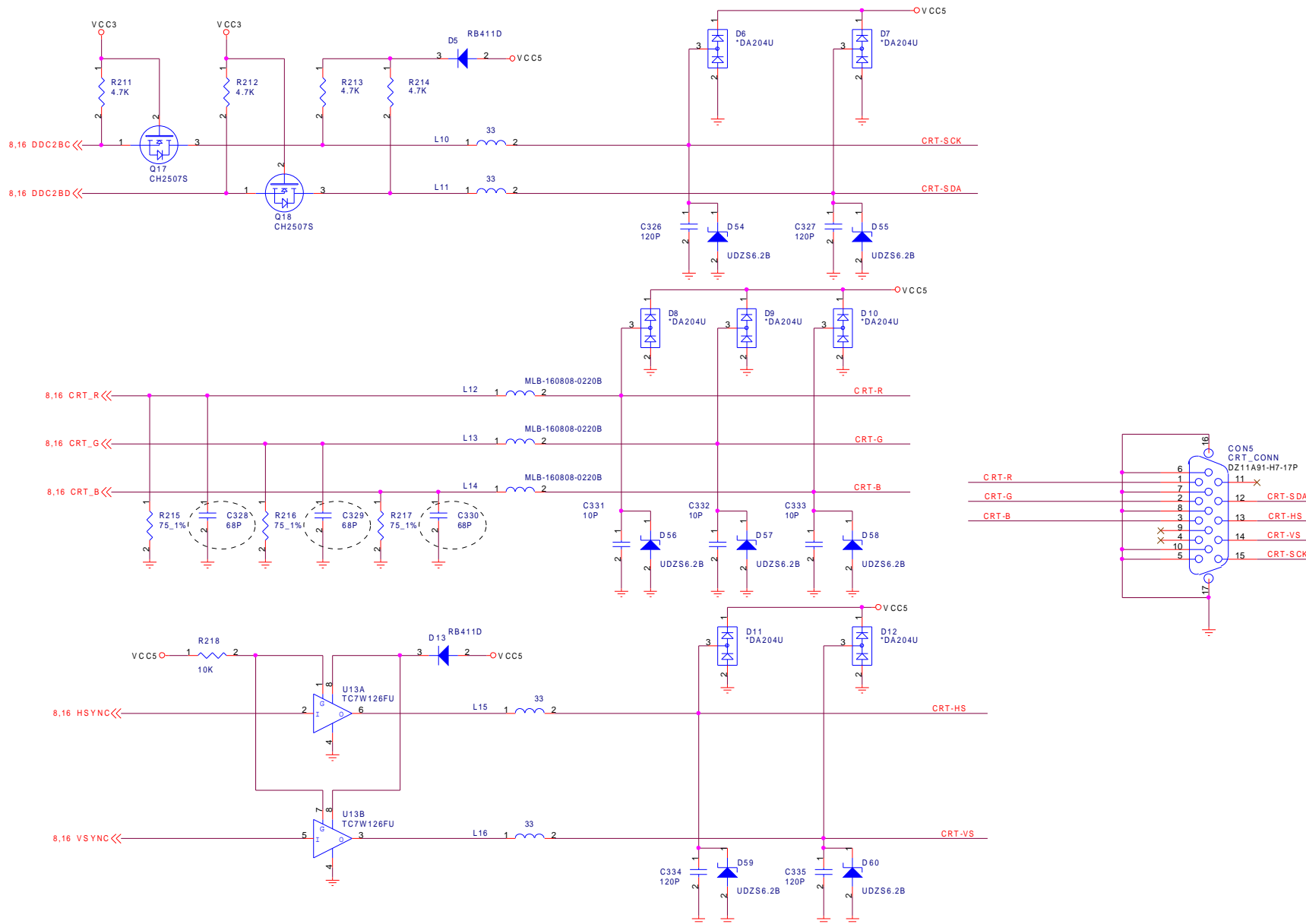
Level 1 environment-related substances should NEVER be used.  
Molding resin, ink, paint and covered wiring material should be procured from the supplier approved as a Sony's green partner.

**QUANTA COMPUTER**

**Memory -2/-2- SODIMM**

Size B Document Number **JE5.1 Main Board** Rev 1A

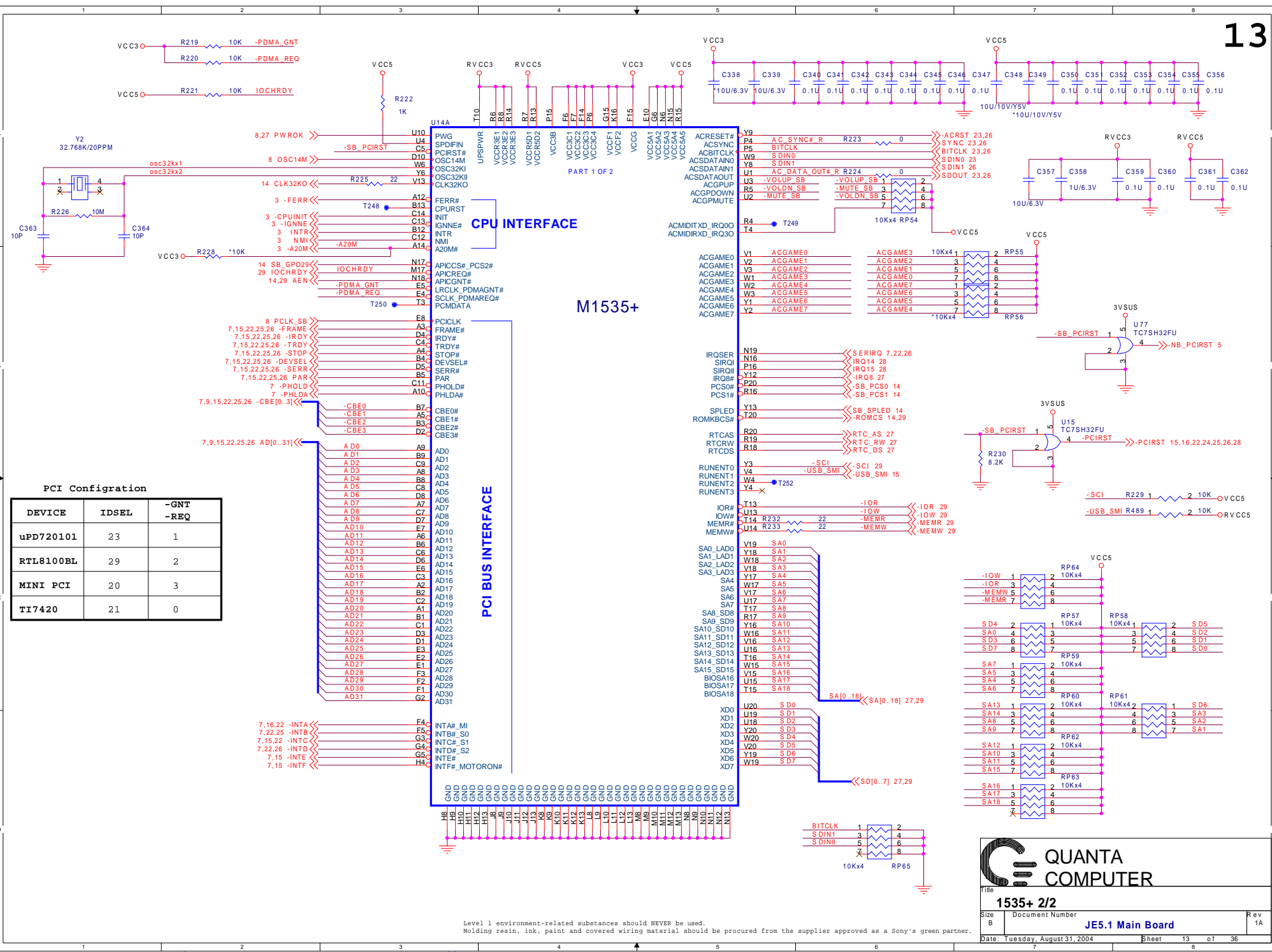
Date: Tuesday, August 31, 2004 Sheet 11 of 36



Level 1 environment-related substances should NEVER be used.  
Molding resin, ink, paint and covered wiring material should be procured from the supplier approved as a Sony's green partner.



Title			CRT PORT/TV		
Document Number			JE5.1 Main Board		
Size	Date: Tuesday, August 31, 2004				Rev
B	Sheet 12 of 36				1A



**PCI Configuration**

DEVICE	IDSEL	-GNT -REQ
uPD720101	23	1
RTL8100BL	29	2
MINI PCI	20	3
TI7420	21	0

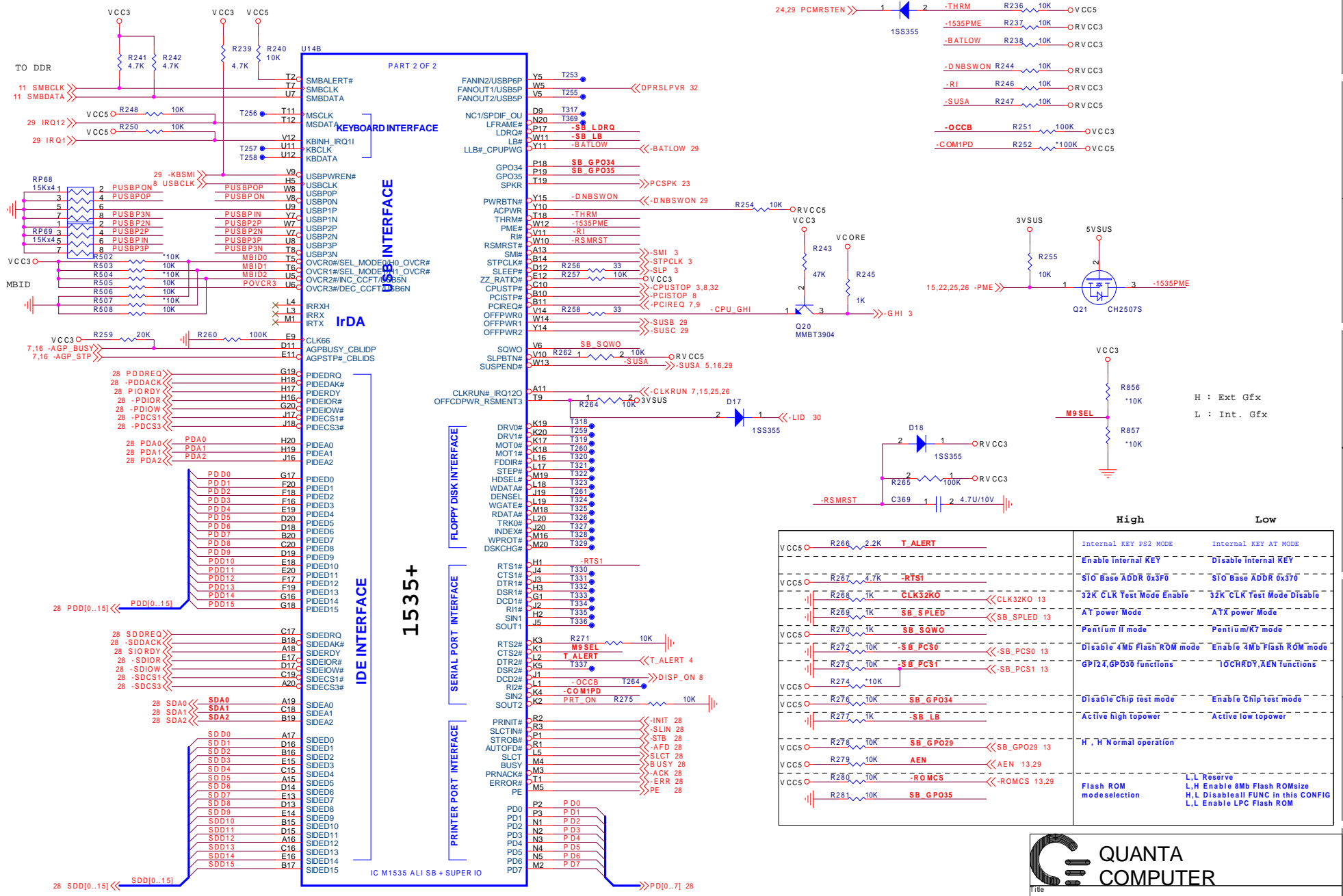
**QUANTA COMPUTER**

1535+ 2/2

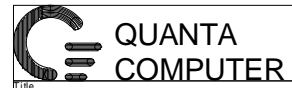
Size B Document Number **JE5.1 Main Board** Rev 1A

Date: Tuesday, August 31, 2004 Sheet 13 of 36

Level 1 environment-related substances should NEVER be used.  
Molding resin, ink, paint and covered wiring material should be procured from the supplier approved as a Sony's green partner.

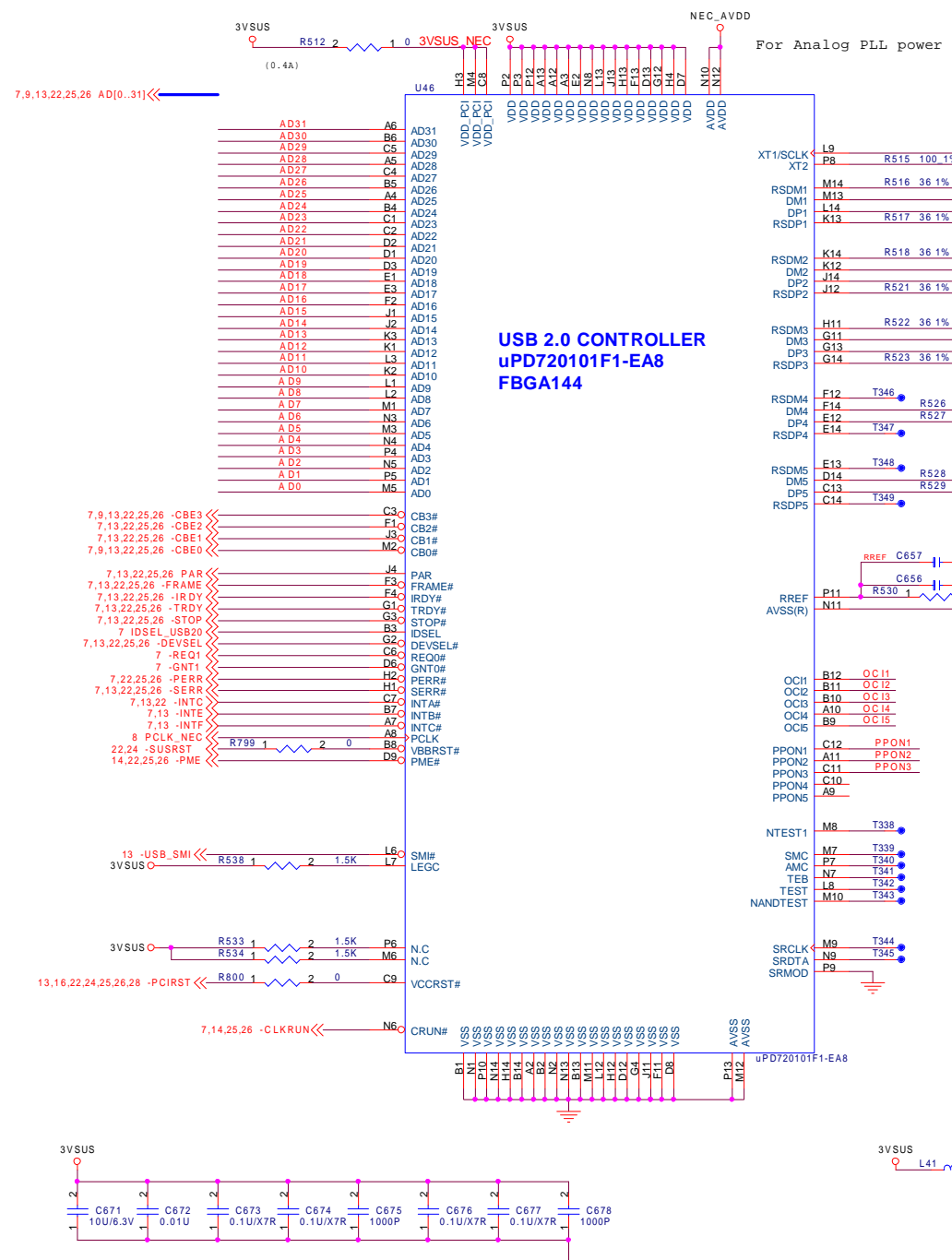


	High	Low
VCC3	R266 2.2K T_ALERT	Internal KEY PS2 MODE
VCC3	R267 4.7K -RTS1	Enable Internal KEY
VCC3	R268 1K CLK32KO	32K CLK Test Mode Enable
VCC3	R269 1K -SB_SPLED	AT power Mode
VCC3	R270 1K -SB_SQWO	Pentium II mode
VCC3	R271 10K -SB_PCS0	Disable 4Mb Flash ROM mode
VCC3	R272 10K -SB_PCS1	GP124, GP030 functions
VCC3	R273 10K -SB_PCS1	Disable Chip test mode
VCC3	R274 10K -SB_GPO34	Active high topower
VCC3	R275 10K -SB_LB	Flash ROM mode selection
VCC3	R276 10K -SB_GPO29	Internal KEY AT MODE
VCC3	R277 10K -SB_GPO29	Disable Internal KEY
VCC3	R278 10K -SB_GPO29	SIO Base ADDR 0x3F0
VCC3	R279 10K -SB_GPO29	SIO Base ADDR 0x3F0
VCC3	R280 10K -SB_GPO29	32K CLK Test Mode Disable
VCC3	R281 10K -SB_GPO29	32K CLK Test Mode Disable
VCC3	R282 10K -SB_GPO29	ATX power Mode
VCC3	R283 10K -SB_GPO29	ATX power Mode
VCC3	R284 10K -SB_GPO29	Pentium/K7 mode
VCC3	R285 10K -SB_GPO29	Pentium/K7 mode
VCC3	R286 10K -SB_GPO29	Enable 4Mb Flash ROM mode
VCC3	R287 10K -SB_GPO29	Enable 4Mb Flash ROM mode
VCC3	R288 10K -SB_GPO29	10CHRDY, AEN Functions
VCC3	R289 10K -SB_GPO29	10CHRDY, AEN Functions
VCC3	R290 10K -SB_GPO29	Disable Chip test mode
VCC3	R291 10K -SB_GPO29	Enable Chip test mode
VCC3	R292 10K -SB_GPO29	H, H Normal operation
VCC3	R293 10K -SB_GPO29	H, H Normal operation
VCC3	R294 10K -SB_GPO29	Flash ROM mode selection
VCC3	R295 10K -SB_GPO29	Flash ROM mode selection

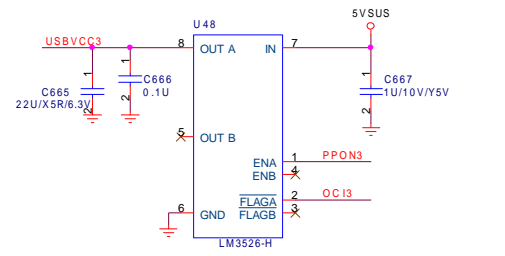
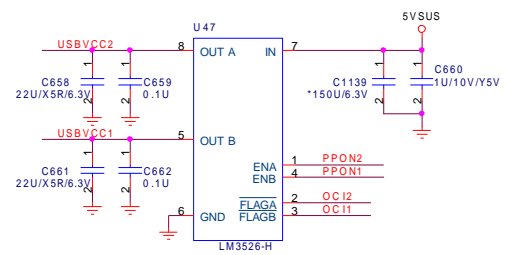
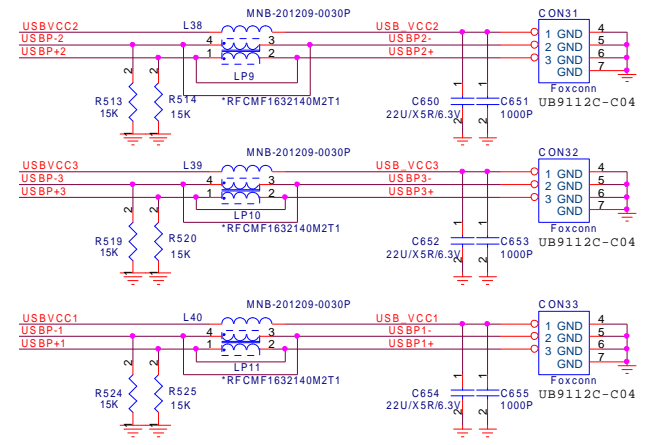


File 1535+ 2/2		
Size B	Document Number JE5.1 Main Board	Rev 1A
Date: Tuesday, August 31, 2004	Sheet 14	of 36

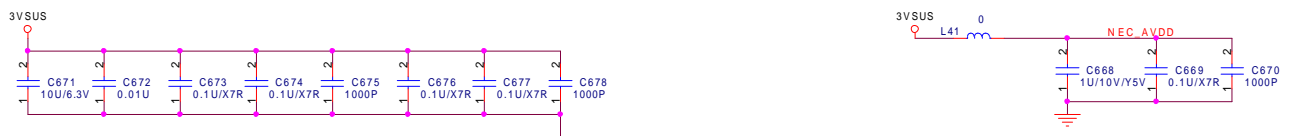
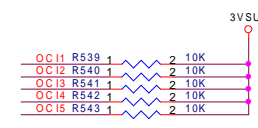
Level 1 environment-related substances should NEVER be used.  
Molding resin, ink, paint and covered wiring material should be procured from the supplier approved as a Sony's green partner.



**USB 2.0 CONTROLLER**  
**uPD720101F1-EA8**  
**FBGA144**



The chip is power switch for USB power .



Level 1 environment-related substances should NEVER be used.  
 Molding resin, ink, paint and covered wiring material should be procured from the supplier approved as a Sony's green partner.

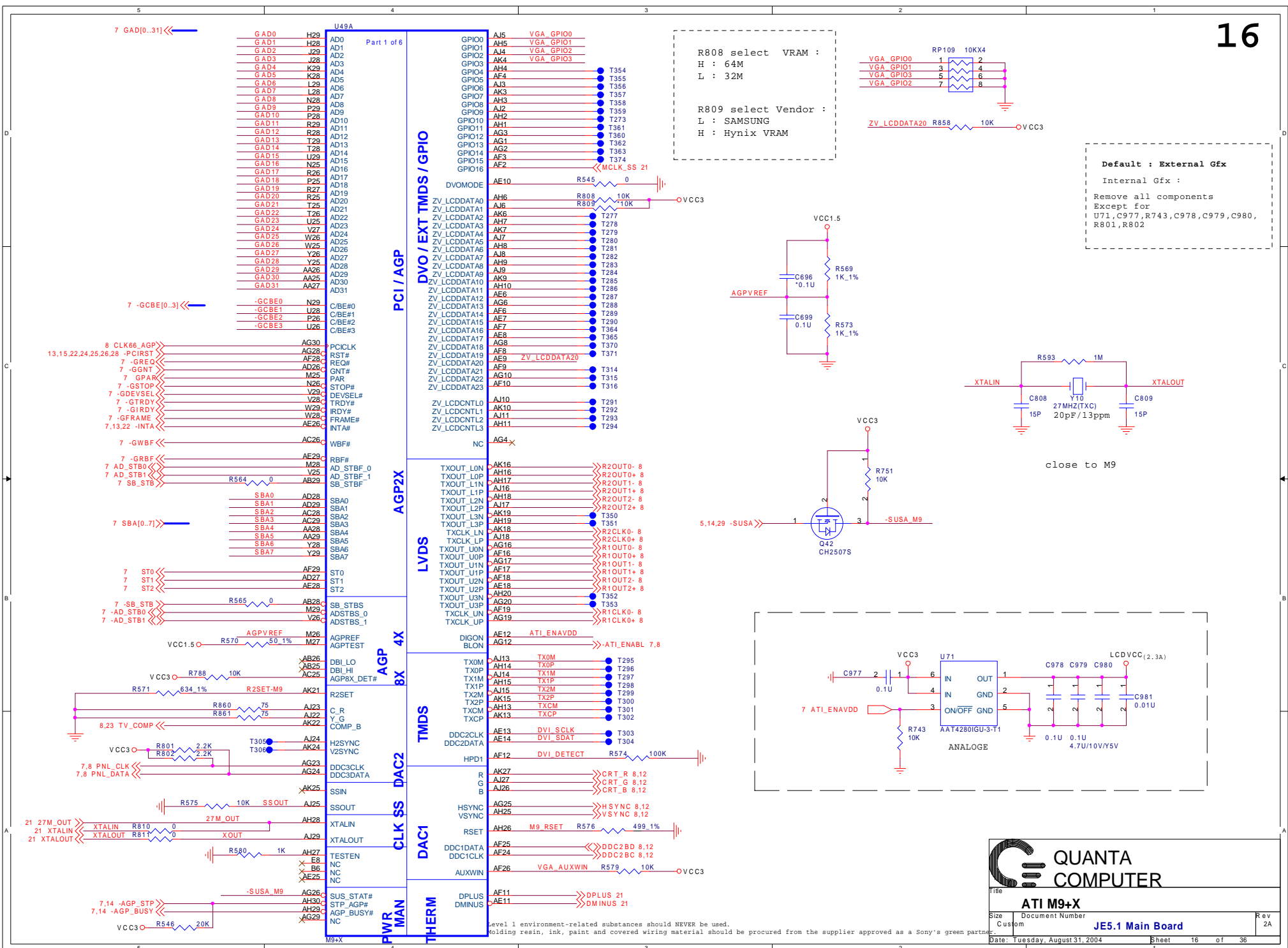
**QUANTA COMPUTER**

**USB Controller NEC-uPD720101**

Size: Custom Document Number: **JE5.1 Main Board** Rev: 3A

Date: Tuesday, August 31, 2004 Sheet: 15 of 36



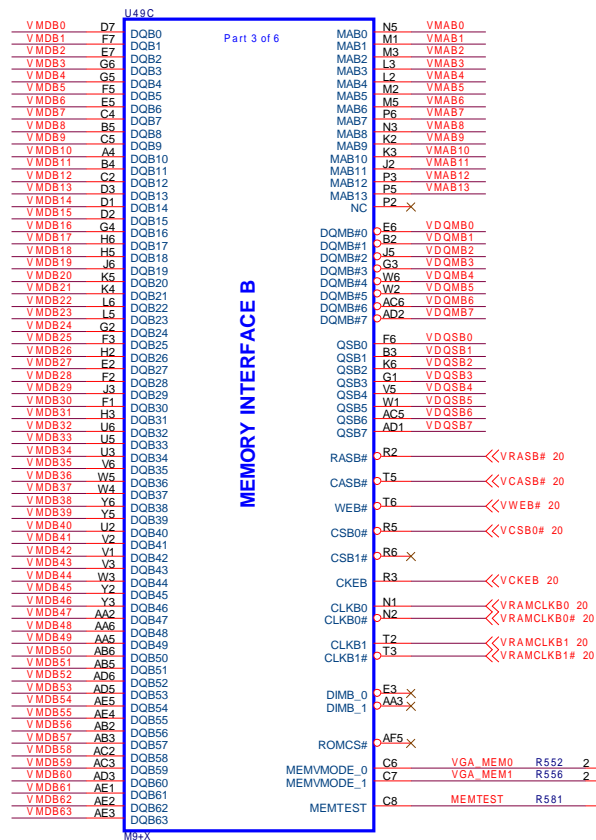
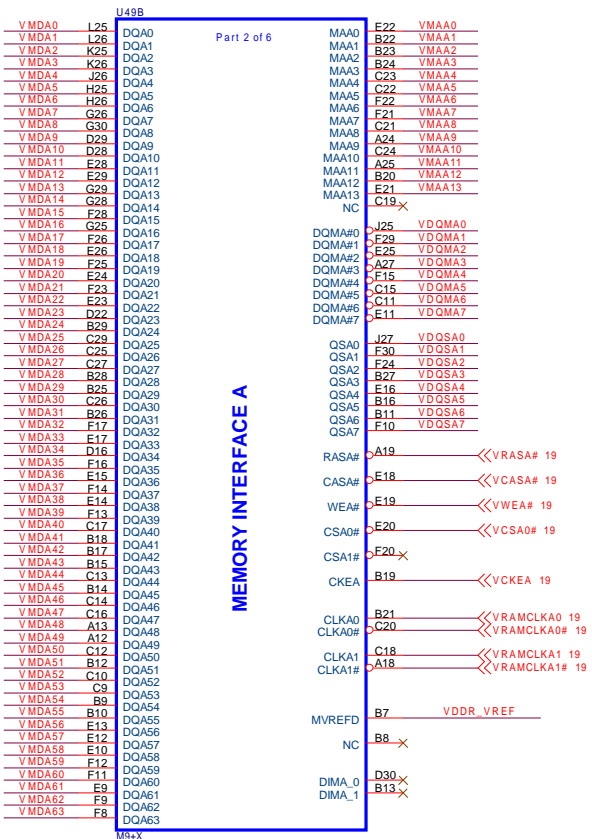


**QUANTA COMPUTER**

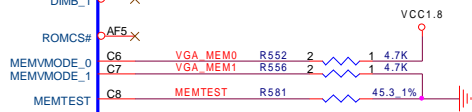
File: **ATI M9+X**

Size: Custom Document Number **JE5.1 Main Board** Rev 2A

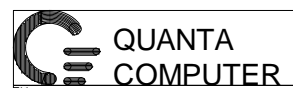
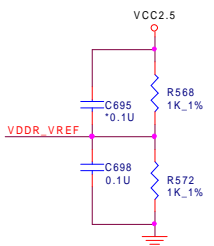
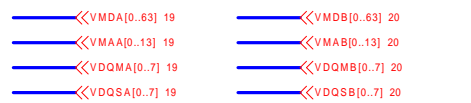
Date: Tuesday, August 31, 2004 Sheet 16 of 36



Default : External Gfx  
Internal Gfx :  
Remove all components .



MEMORY IO VOLTAGE = 2.5V

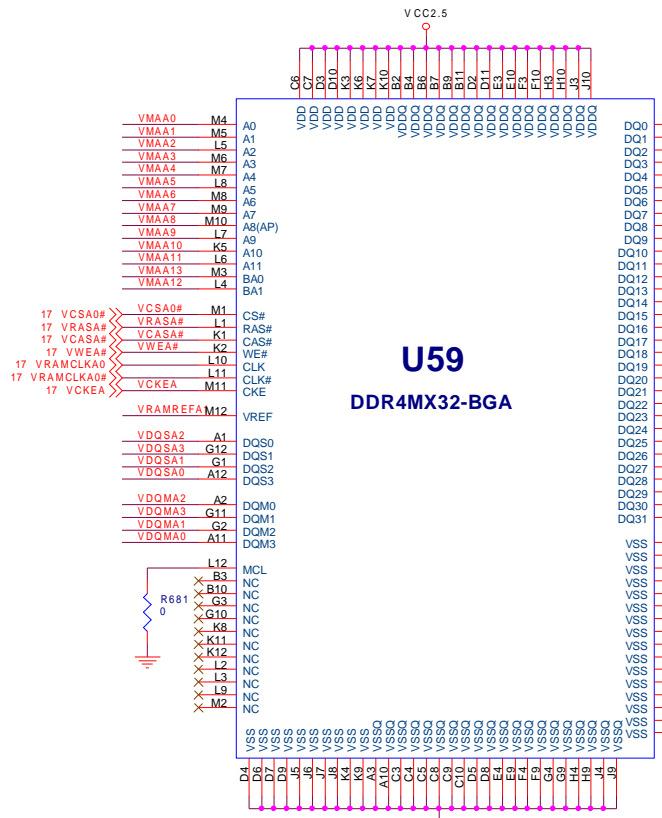


ATI M9+X		Rev 1A
Size Custom	Document Number JE5.1 Main Board	
Date: Tuesday, August 31, 2004	Sheet 17 of 36	

Level 1 environment-related substances should NEVER be used.  
Molding resin, ink, paint and covered wiring material should be procured from the supplier approved as a Sony's green partner.



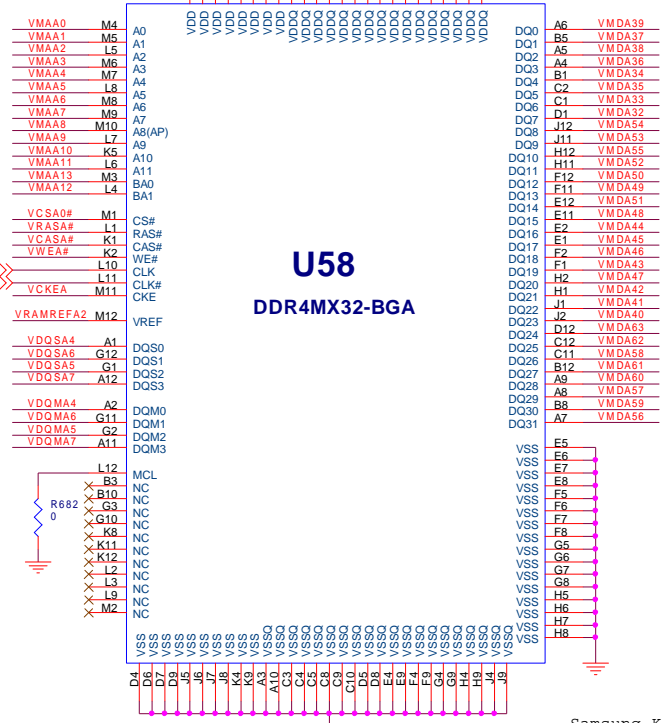
<<VMDA[0..63] 17  
<<VMAA[0..13] 17  
<<VDQMA[0..7] 17  
<<VDQSA[0..7] 17



U59  
DDR4Mx32-BGA

Samsung K4D263238E-VC33  
(Hynix -HY5DU28322AF(P))

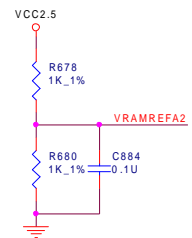
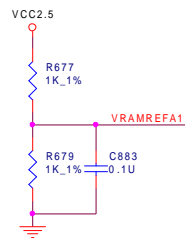
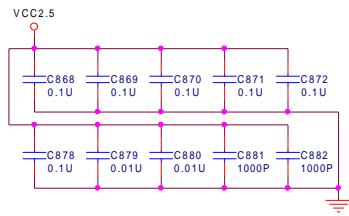
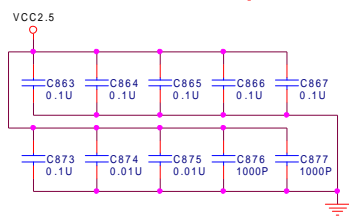
17 VRAMCLKA1  
17 VRAMCLKA1#



U58  
DDR4Mx32-BGA

Samsung K4D263238E-VC33  
(Hynix -HY5DU28322AF(P))

Default : External Gfx  
Internal Gfx :  
Remove all components .

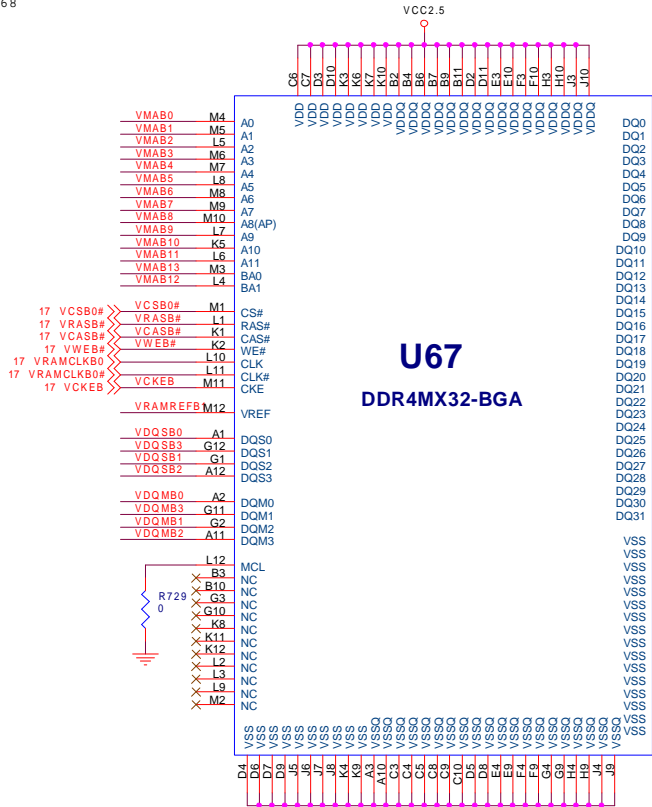


Level 1 environment-related substances should NEVER be used.  
Molding resin, ink, paint and covered wiring material should be procured from the supplier approved as a Sony's green partner.

QUANTA COMPUTER  
VGA DDR VRAMx2 1/2  
Date: Tuesday, August 31, 2004 Sheet 19 of 36

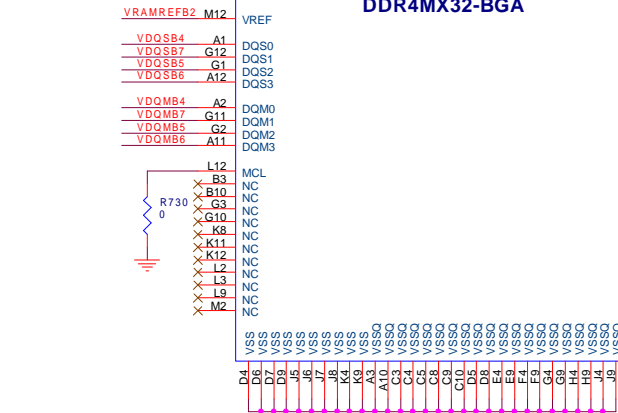
If 32M VRAM of M9+X only install U67, U68

VMDB[0..63] 17  
VMAB[0..13] 17  
VDQMB[0..7] 17  
VDQSB[0..7] 17



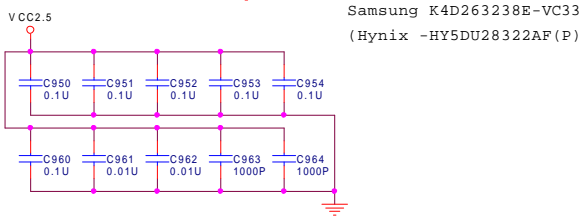
U67  
DDR4MX32-BGA

17 VRAMCLKB1#  
17 VRAMCLKB1#

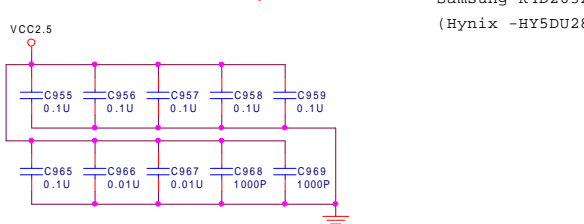


U68  
DDR4MX32-BGA

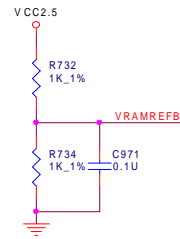
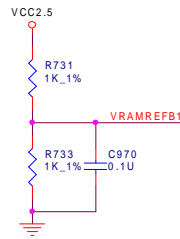
Default : External Gfx  
Internal Gfx :  
Remove all components .



Samsung K4D263238E-VC33  
(Hynix -HY5DU28322AF(P))



Samsung K4D263238E-VC33  
(Hynix -HY5DU28322AF(P))



Level 1 environment-related substances should NEVER be used.  
Molding resin, ink, paint and covered wiring material should be procured from the supplier approved as a Sony's green partner.

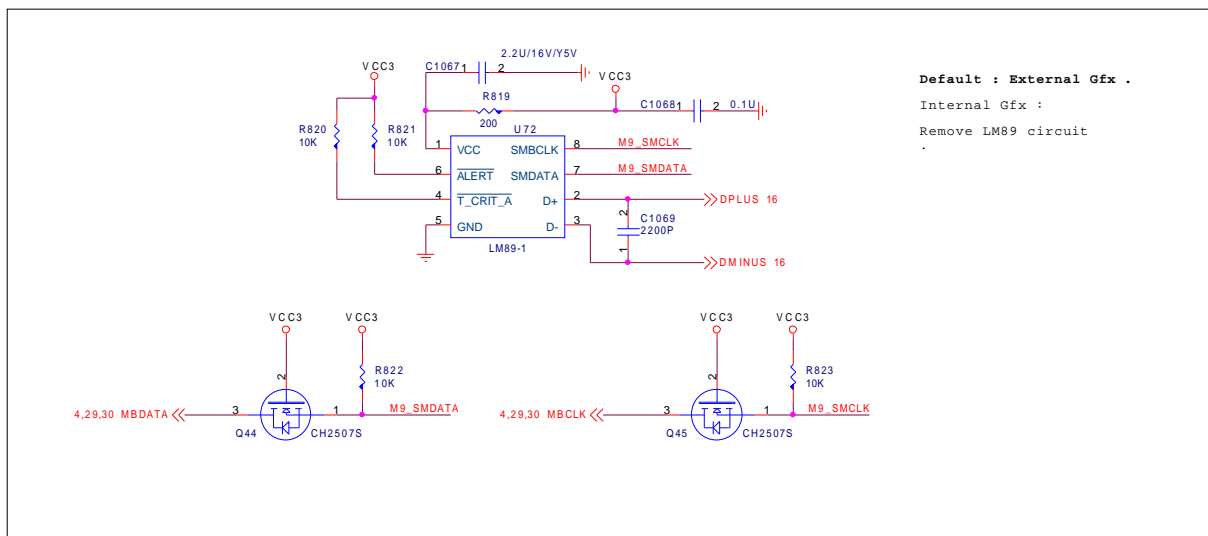
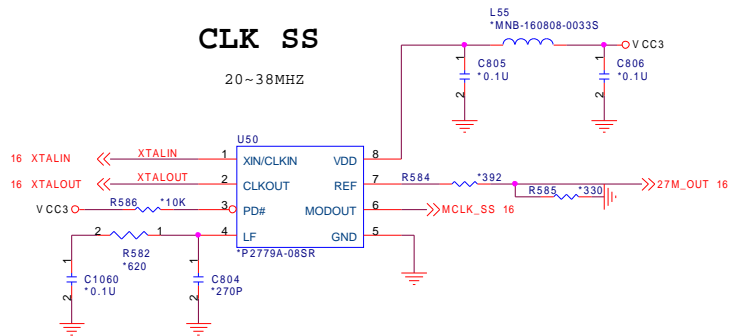
**QUANTA COMPUTER**

File: **VGA DDR VRAMx2 2/2**

Size	Document Number	Rev
Custom	<b>JE5.1 Main Board</b>	1A

Date: Tuesday, August 31, 2004 Sheet 20 of 36

MCLK (230MHZ) SPREAD SPECTRUM LOGIC



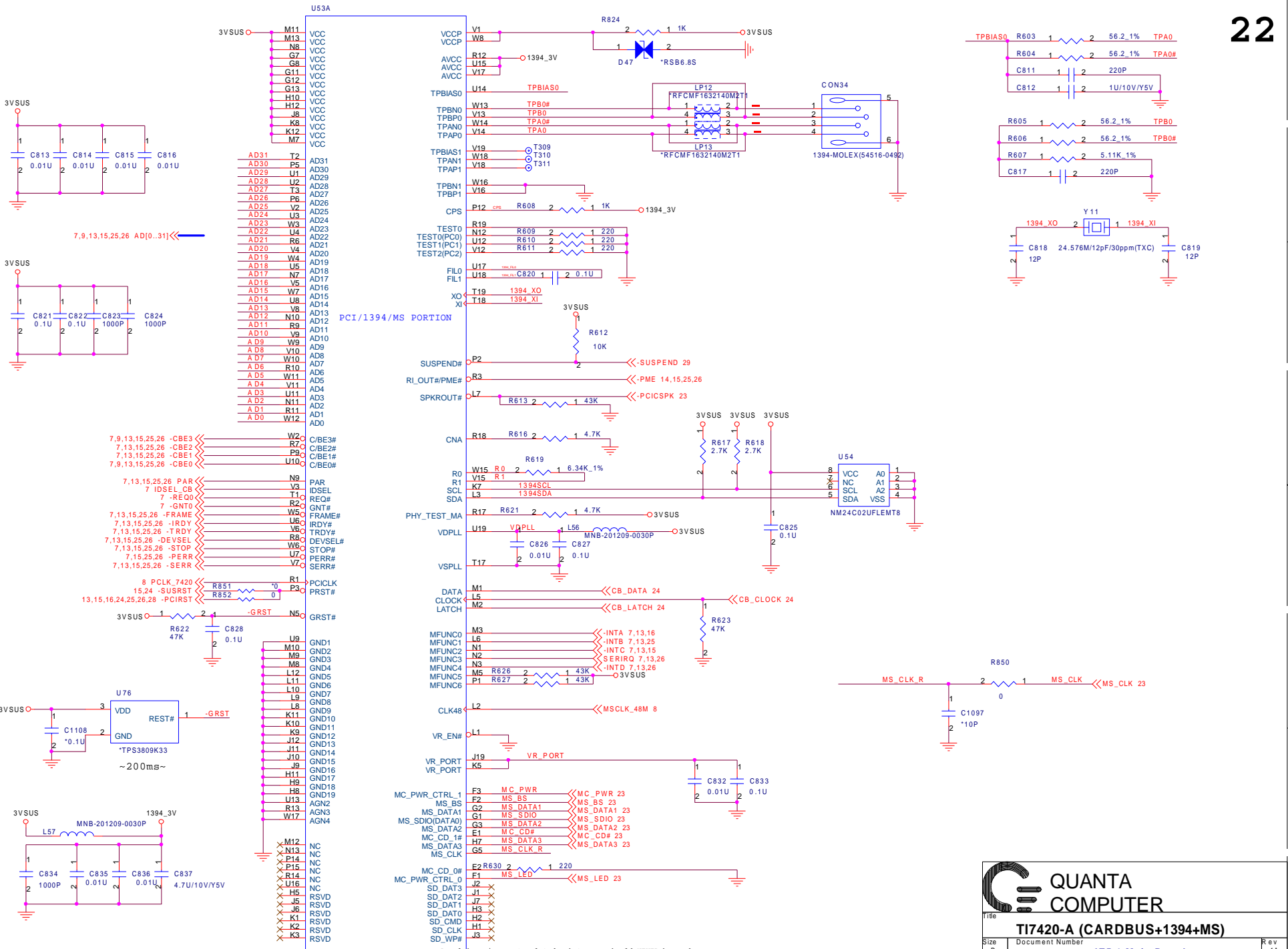
**QUANTA COMPUTER**

File: **AGP SSC**

Size	Document Number	Rev
Custom	<b>JE5.1 Main Board</b>	1A

Date: Tuesday, August 31, 2004 Sheet 21 of 36

Level 1 environment-related substances should NEVER be used.  
Molding resin, ink, paint and covered wiring material should be procured from the supplier approved as a Sony's green partner.



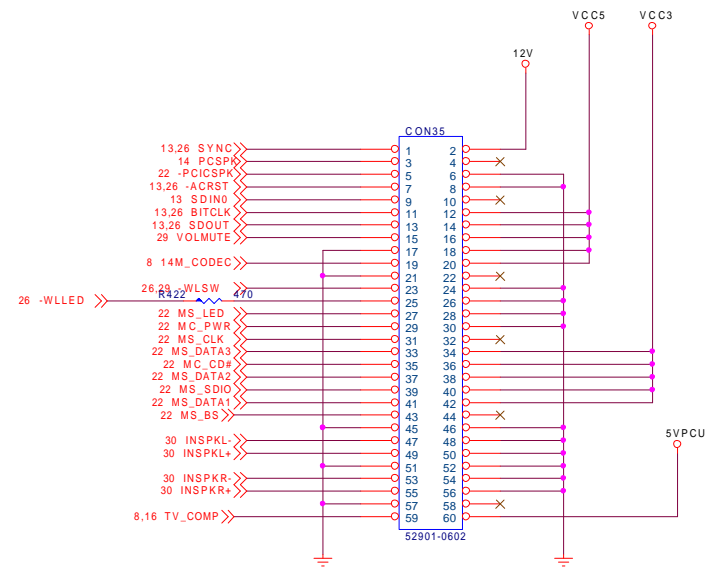
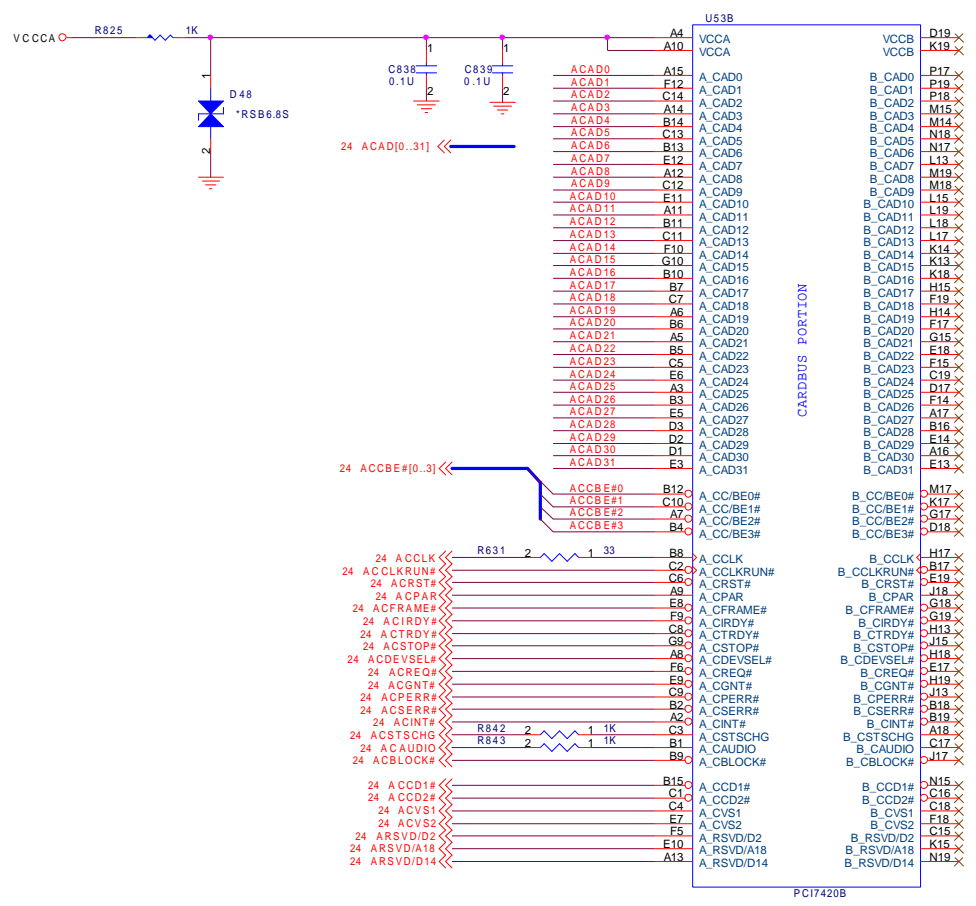
**QUANTA COMPUTER**

TI7420-A (CARDBUS+1394+MS)

JE5.1 Main Board

Date: Tuesday, August 31, 2004 Sheet 22 of 36





**QUANTA COMPUTER**

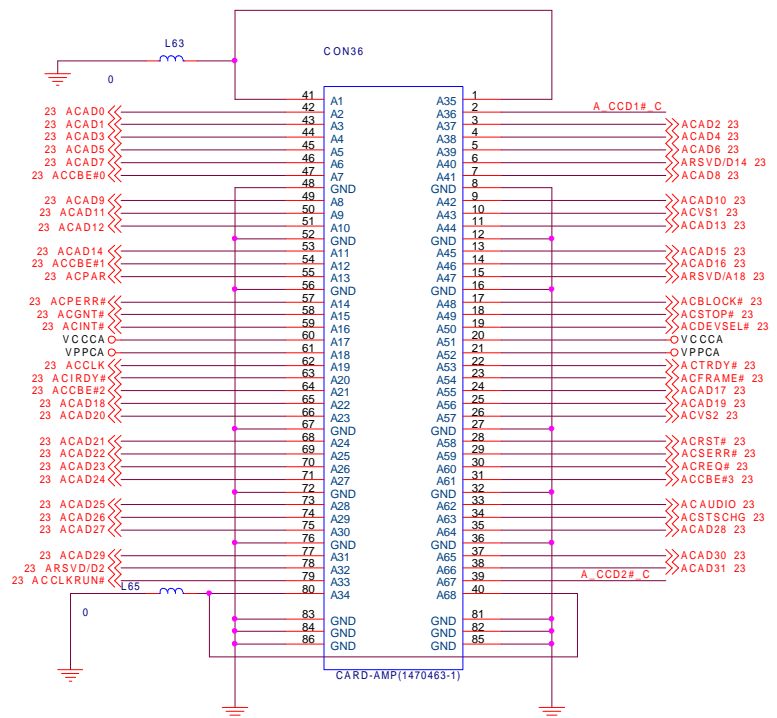
TI7420-A (CARDBUS+1394+MS)

Size Custom Document Number JE5.1 Main Board Rev 1A

Date: Tuesday, August 31, 2004 Sheet 23 of 36

Level 1 environment-related substances should NEVER be used.  
Molding resin, ink, paint and covered wiring material should be procured from the supplier approved as a Sony's green partner.

23 ACAD[0..31] <<
23 ACCBE#[0..3] <<



CardBus power switch chip

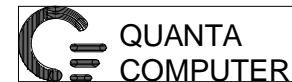
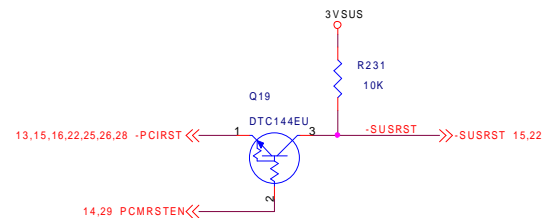
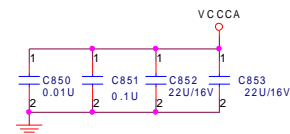
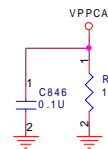
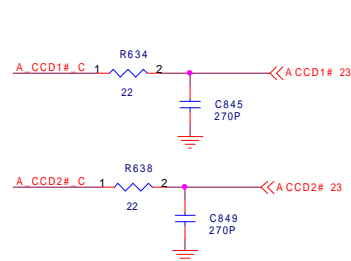
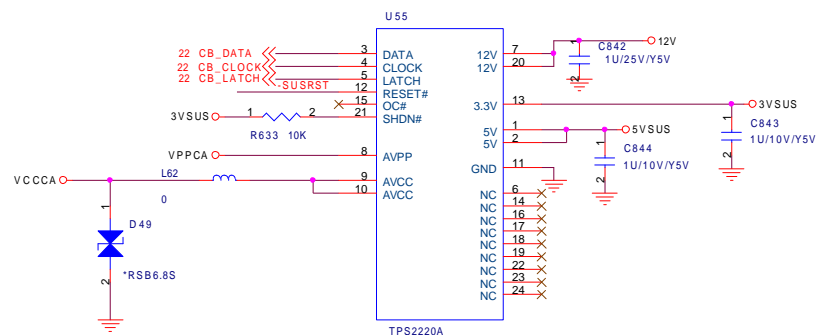
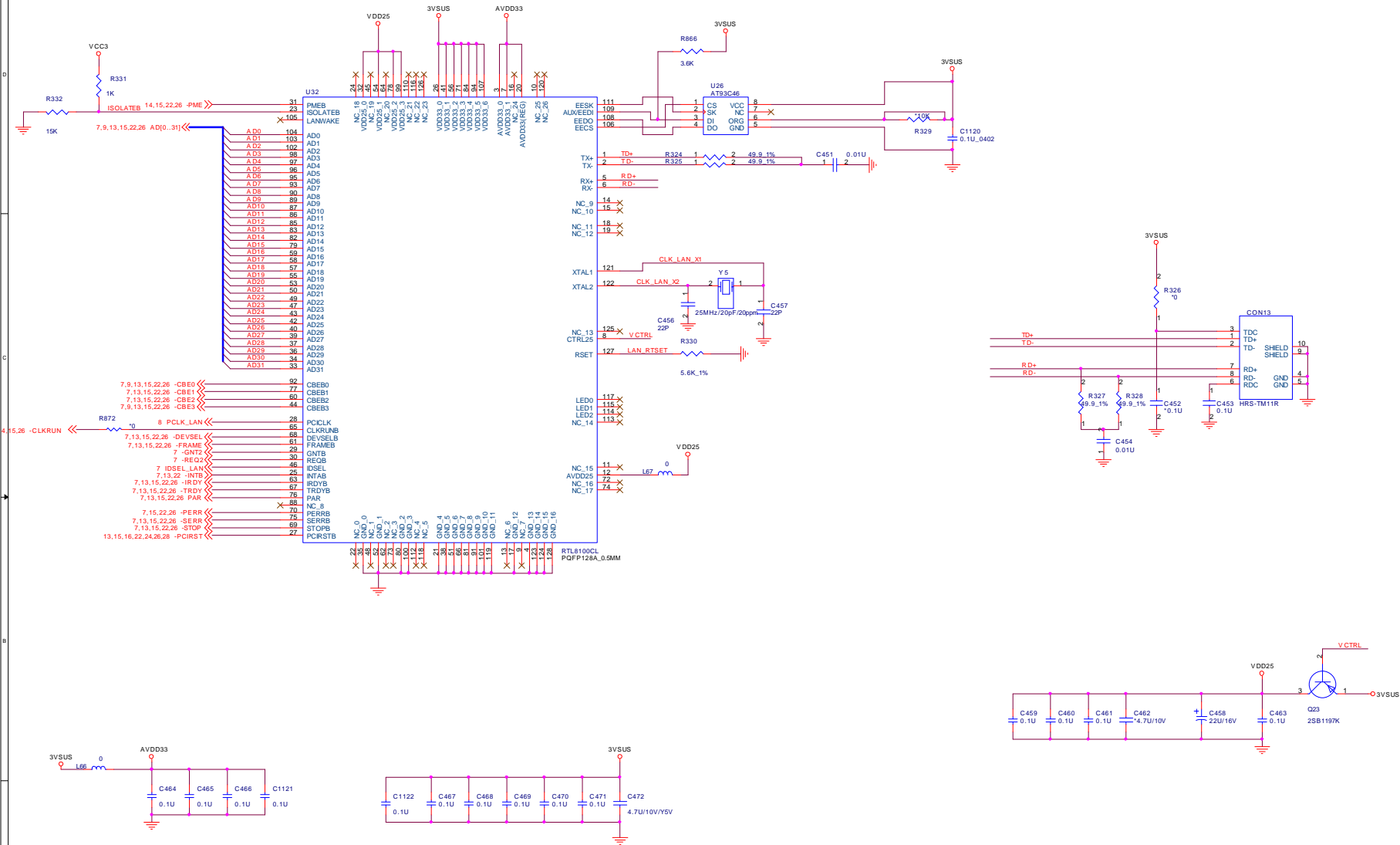


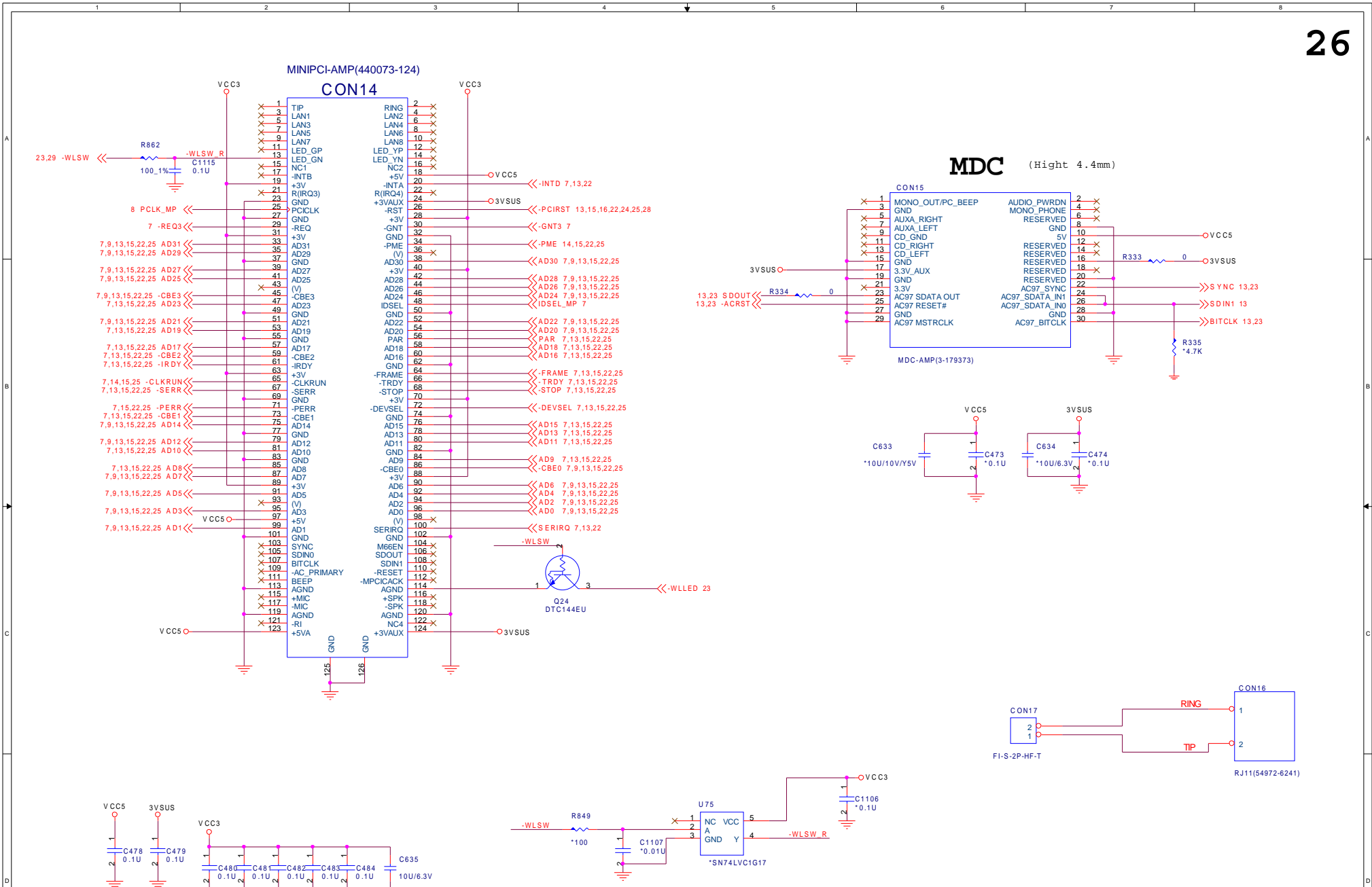
Table with columns: File, Document Number, Rev, Date, Sheet. Contains information for 'CARBUS SLOT' and 'JE5.1 Main Board'.

Level 1 environment-related substances should NEVER be used. Molding resin, ink, paint and covered wiring material should be procured from the supplier approved as a Sony's green partner.



		<b>QUANTA COMPUTER</b>	
		<b>RTL8100BL PCI LAN</b>	
Title	Document Number		
Size	<b>JES.1 Main Board</b>		
Date: Tuesday, August 31, 2004	Sheet: 25	of 36	
Rev	1A		

Level 1 environment-related substances should NEVER be used.  
 Molding resin, ink, paint and covered wiring material should be procured from the supplier approved as a Sony's green partner.



**QUANTA COMPUTER**

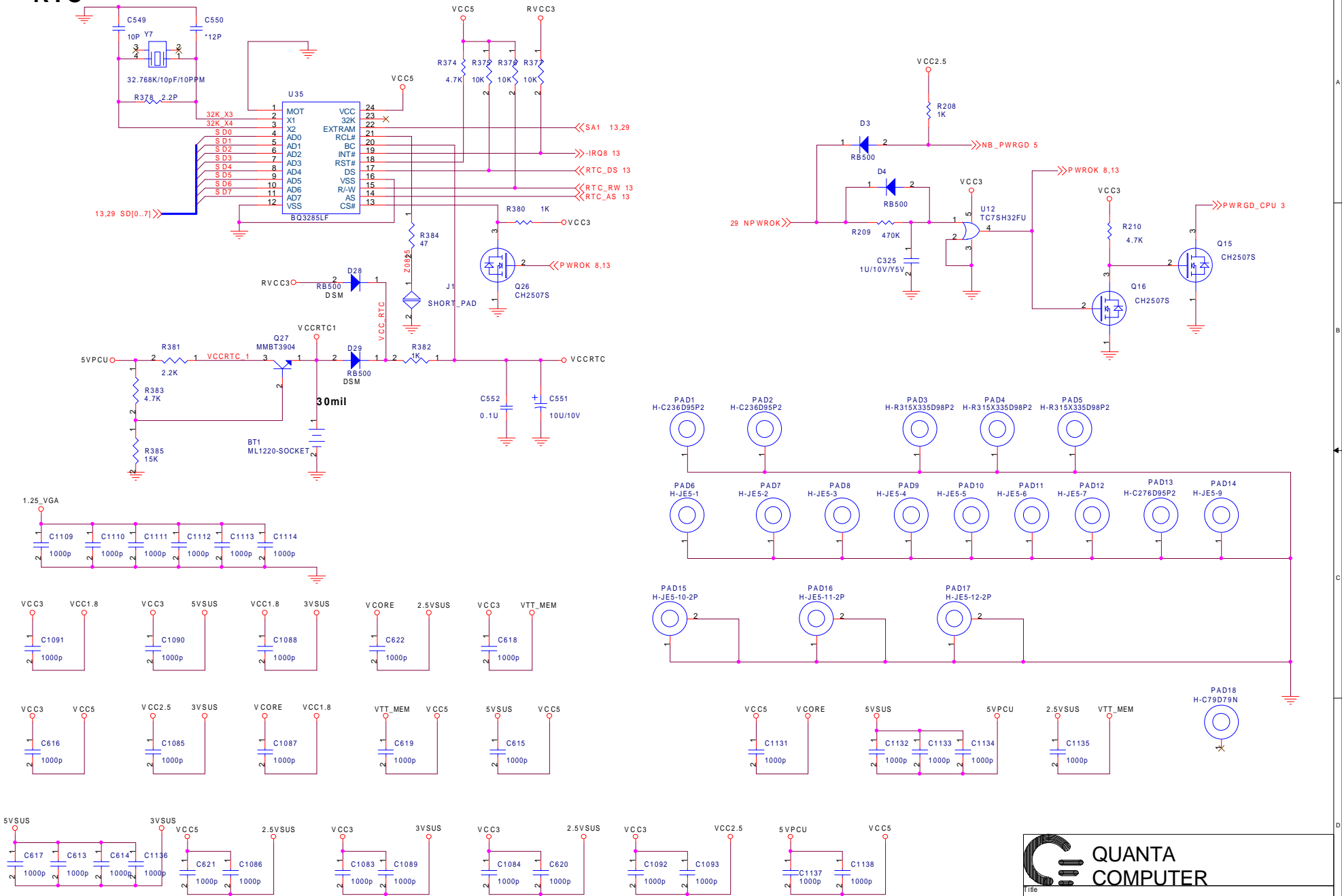
**MiniPCI & MDC**

File	Document Number	Rev
	<b>JE5.1 Main Board</b>	2A

Date: Tuesday, August 31, 2004 Sheet 26 of 36

Level 1 environment-related substances should NEVER be used.  
 Molding resin, ink, paint and covered wiring material should be procured from the supplier approved as a Sony's green partner.

RTC



Level 1 environment-related substances should NEVER be used.  
 Molding resin, ink, paint and covered wiring material should be procured from the supplier approved as a Sony's green partner.

**QUANTA COMPUTER**

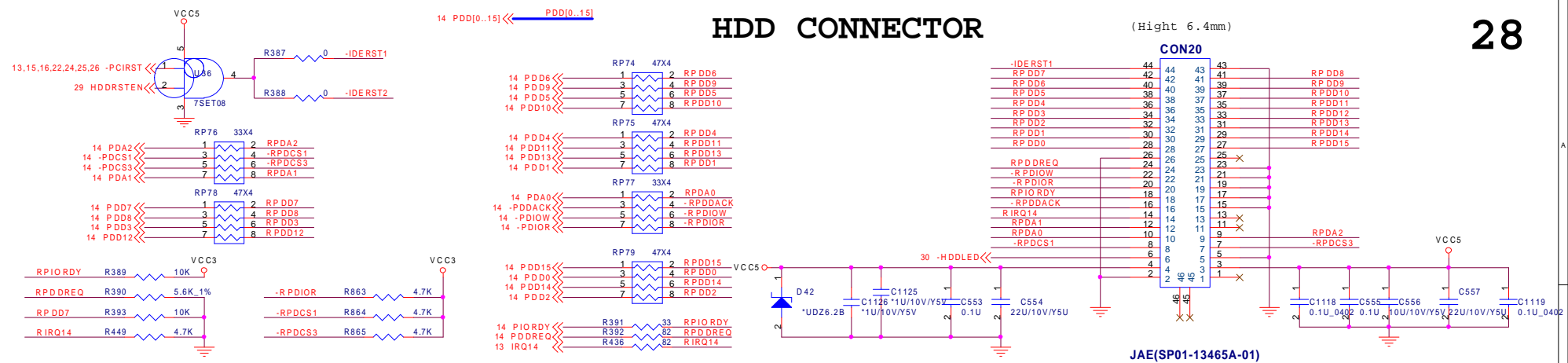
**RTC/POWER GOOD LOGIC**

Size B	Document Number	<b>JE5.1 Main Board</b>	Rev 2A
Date: Tuesday, August 31, 2004		Sheet 27 of 36	

# HDD CONNECTOR

(Hight 6.4mm)

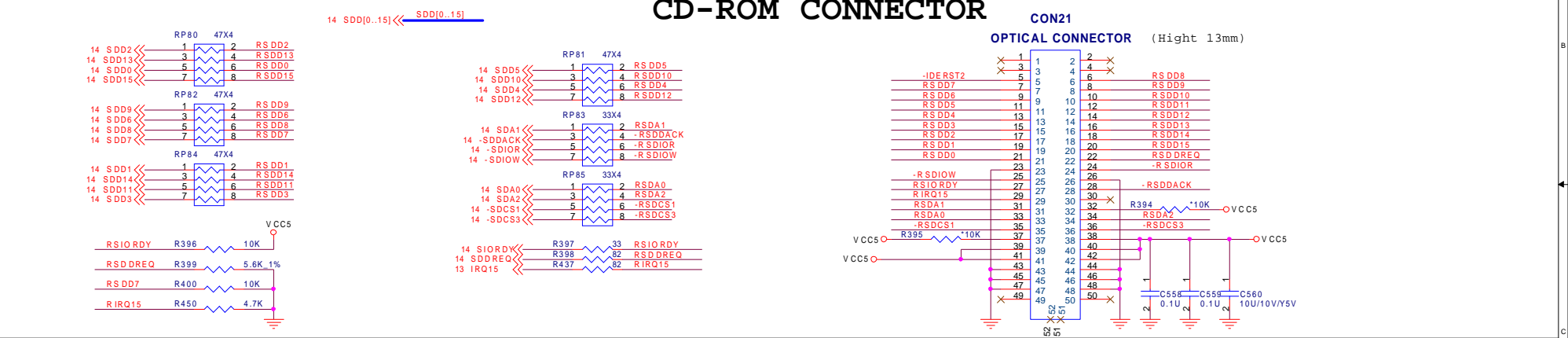
28



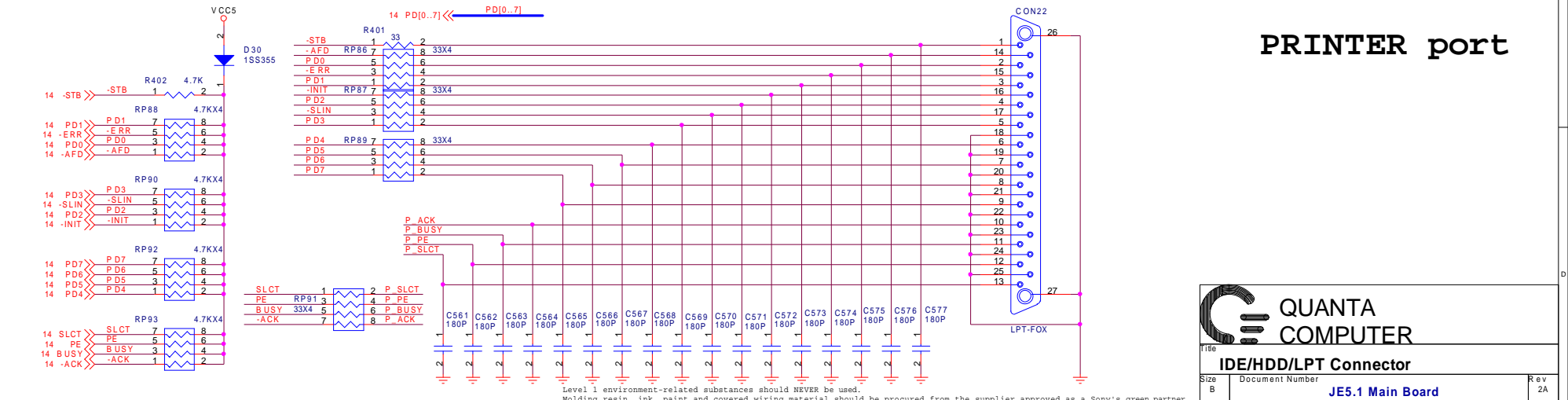
# CD-ROM CONNECTOR

CON21

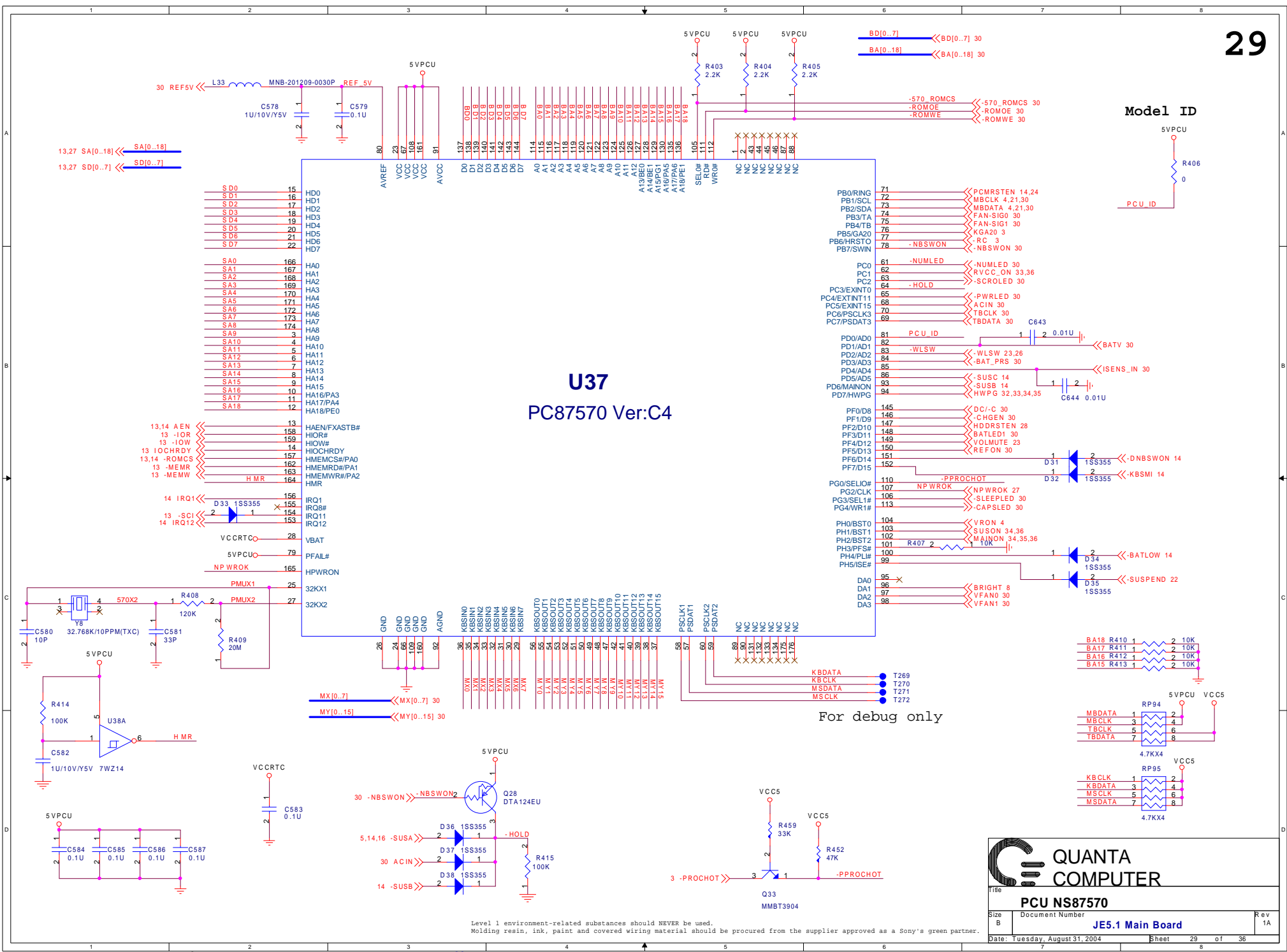
OPTICAL CONNECTOR (Hight 13mm)



# PRINTER port



IDE/HDD/LPT Connector		
Size B	Document Number	Rev 2A
JE5.1 Main Board		
Date: Tuesday, August 31, 2004	Sheet 28	of 36



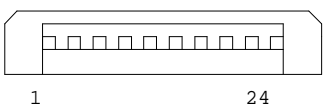
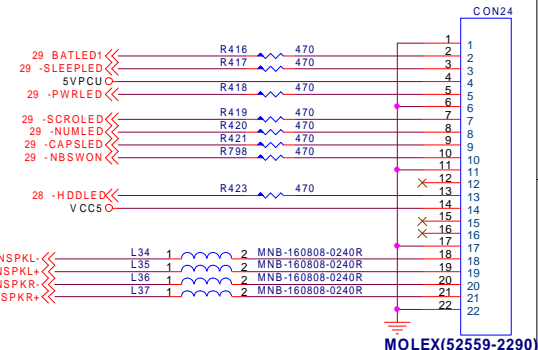
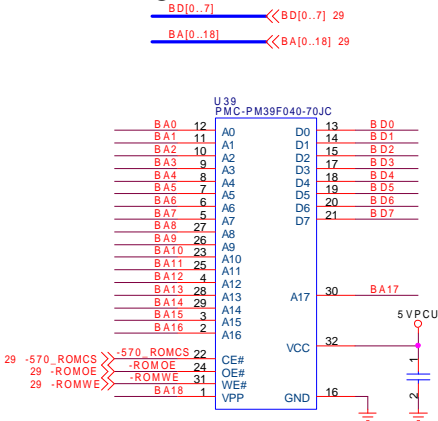
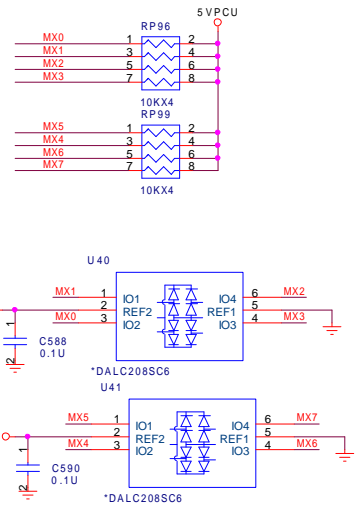
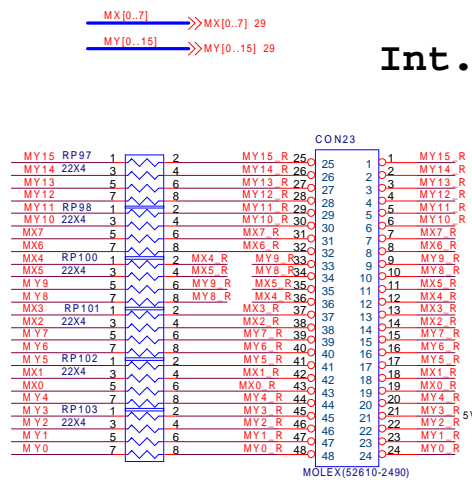
Level 1 environment-related substances should NEVER be used. Molding resin, ink, paint and covered wiring material should be procured from the supplier approved as a Sony's green partner.



Int. keyboard

BIOS

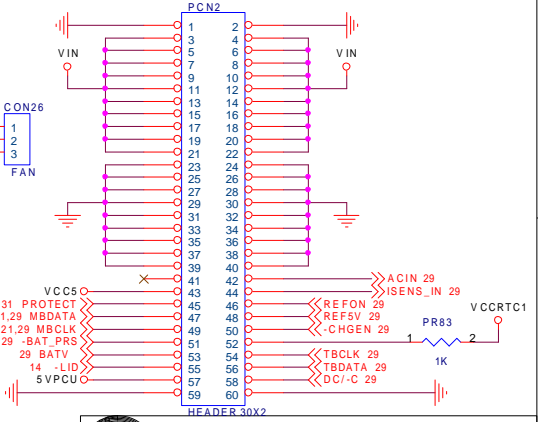
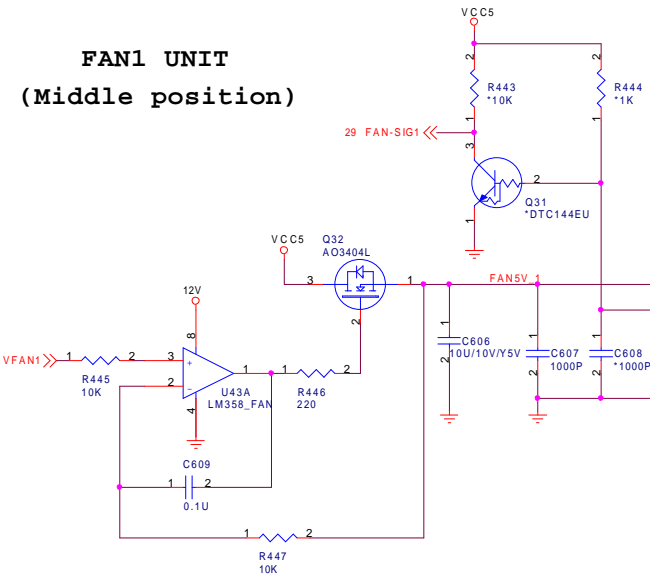
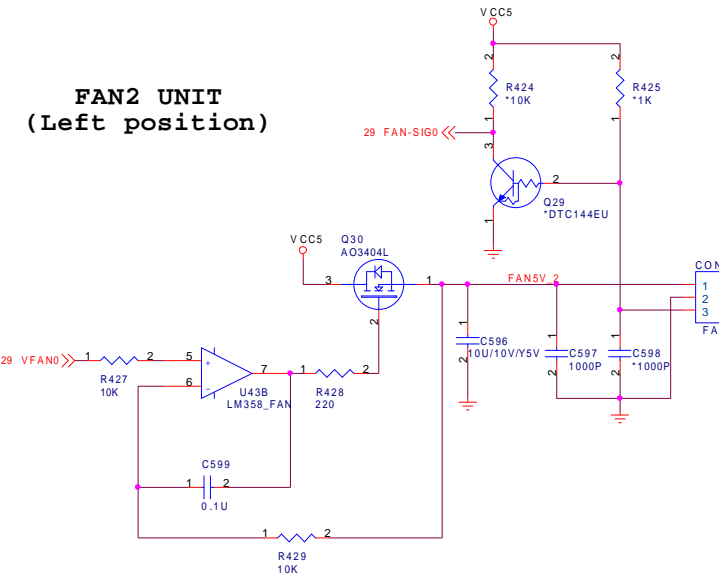
POWER SWITCH BOARD CONNECTOR



FAN2 UNIT (Left position)

FAN1 UNIT (Middle position)

CHARGER BOARD CONNECTOR



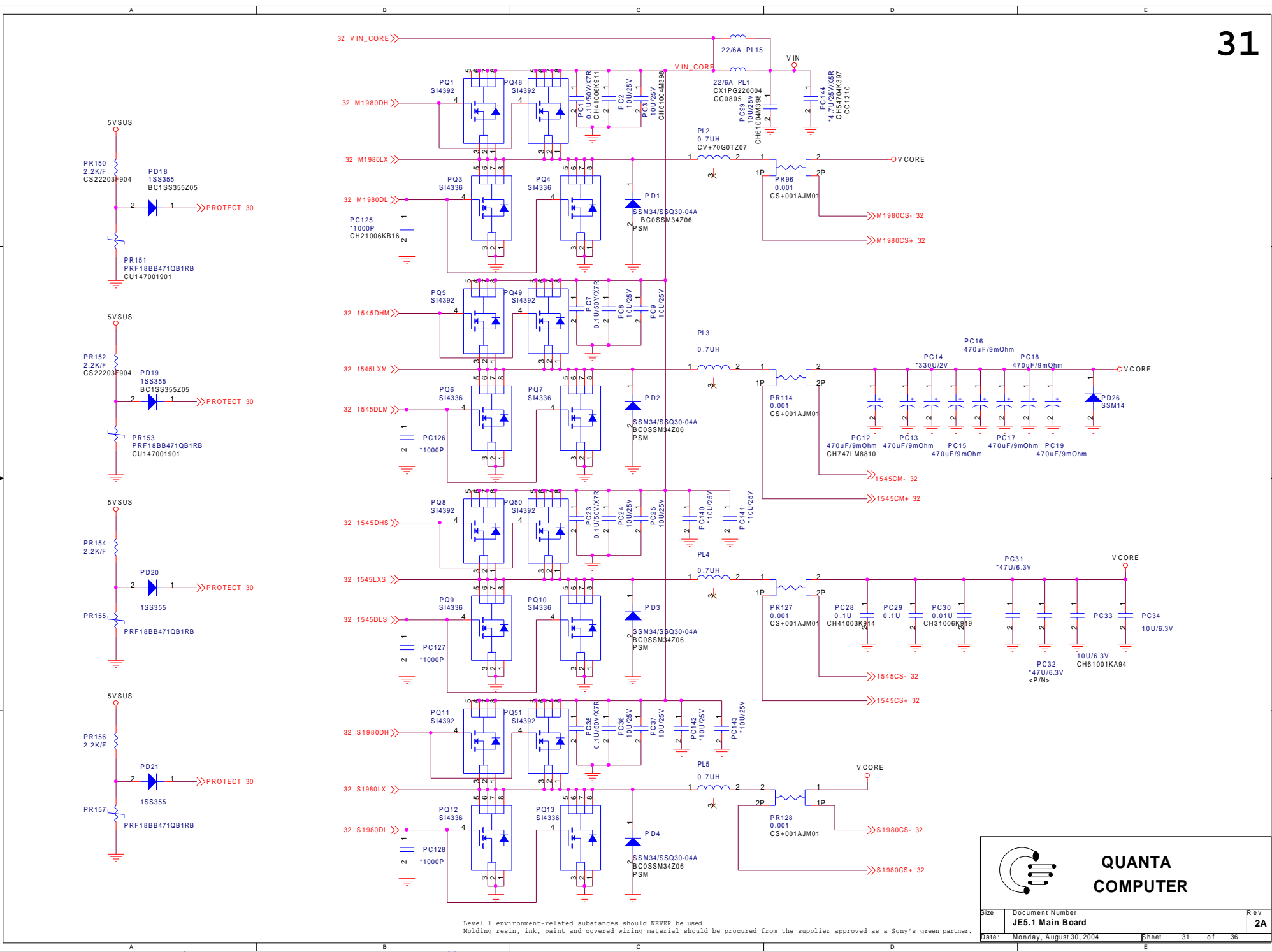
**QUANTA COMPUTER**

Title: INT. KEYBOARD/FAN

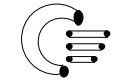
Size: Custom Document Number: JE5.1 Main Board Rev 1A

Date: Tuesday, August 31, 2004 Sheet 30 of 36

Level 1 environment-related substances should NEVER be used. Molding resin, ink, paint and covered wiring material should be procured from the supplier approved as a Sony's green partner.



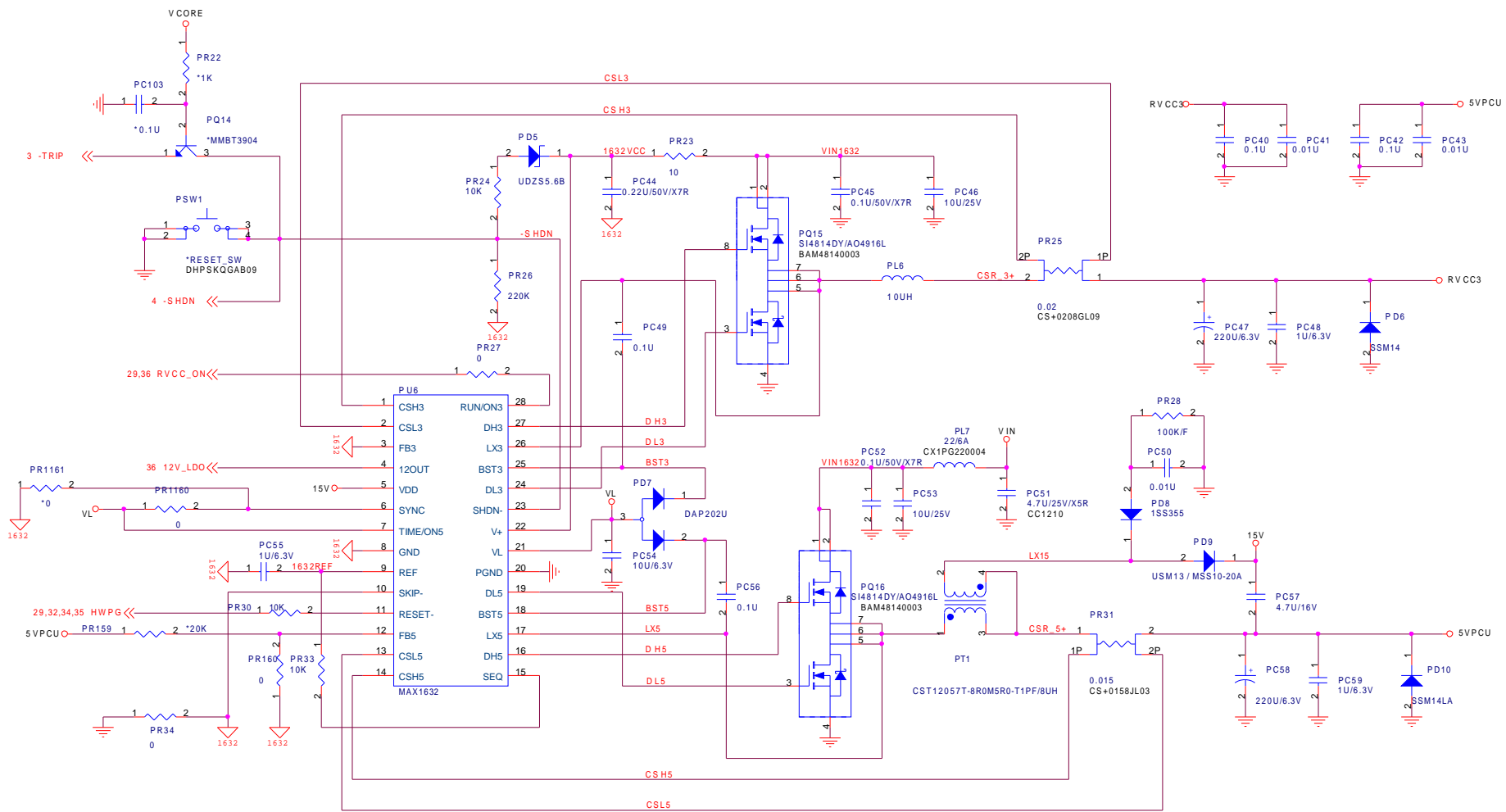
Level 1 environment-related substances should NEVER be used.  
 Molding resin, ink, paint and covered wiring material should be procured from the supplier approved as a Sony's green partner.




**QUANTA  
COMPUTER**

Size	Document Number	Rev
	<b>JE5.1 Main Board</b>	<b>2A</b>
Date:	Monday, August 30, 2004	Sheet 31 of 36



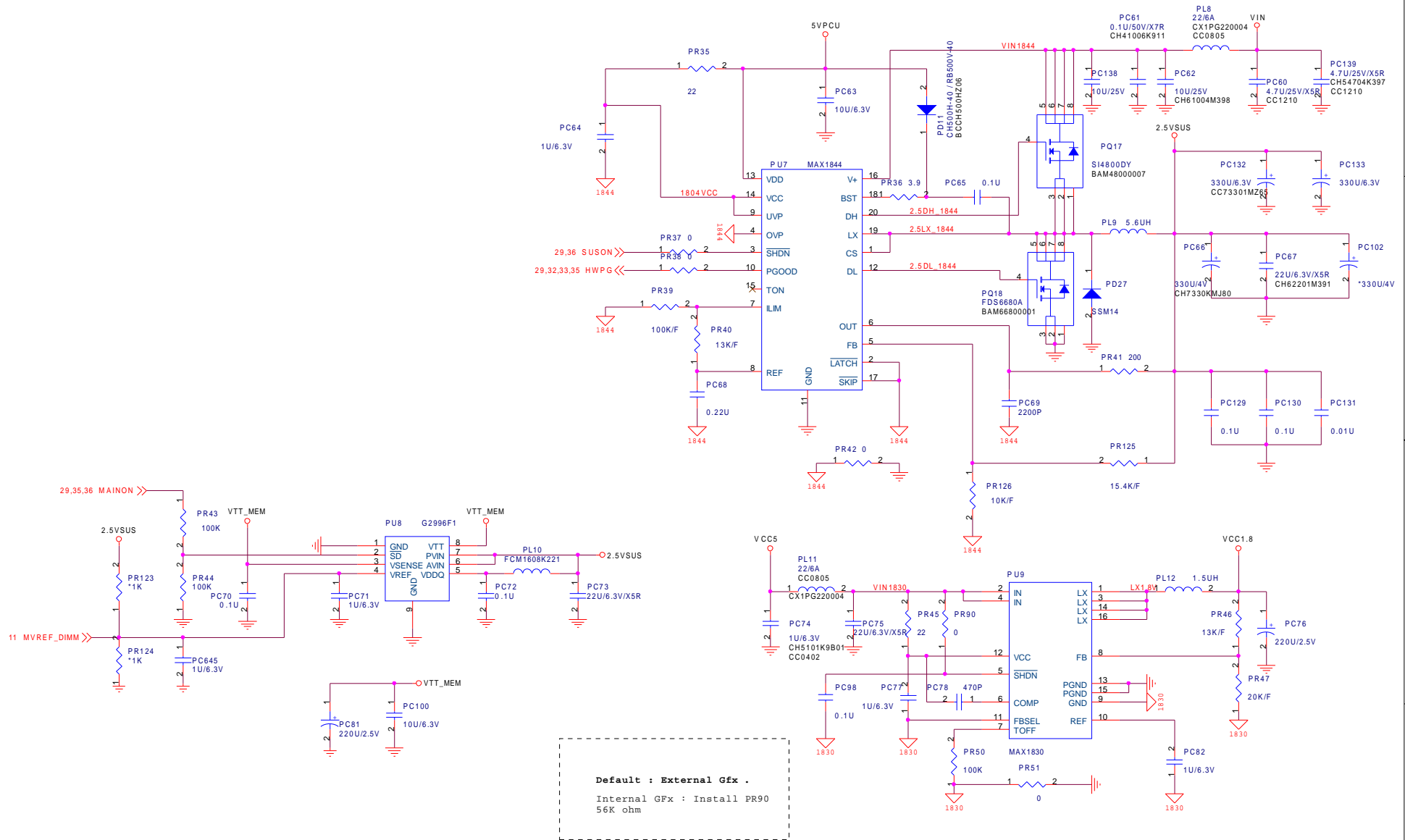




**QUANTA  
COMPUTER**

Size	Document Number	Rev
	<b>JE5.1 Main Board</b>	<b>2A</b>
Date:	Monday, August 30, 2004	Sheet 33 of 36

Level 1 environment-related substances should NEVER be used.  
Molding resin, ink, paint and covered wiring material should be procured from the supplier approved as a Sony's green partner.

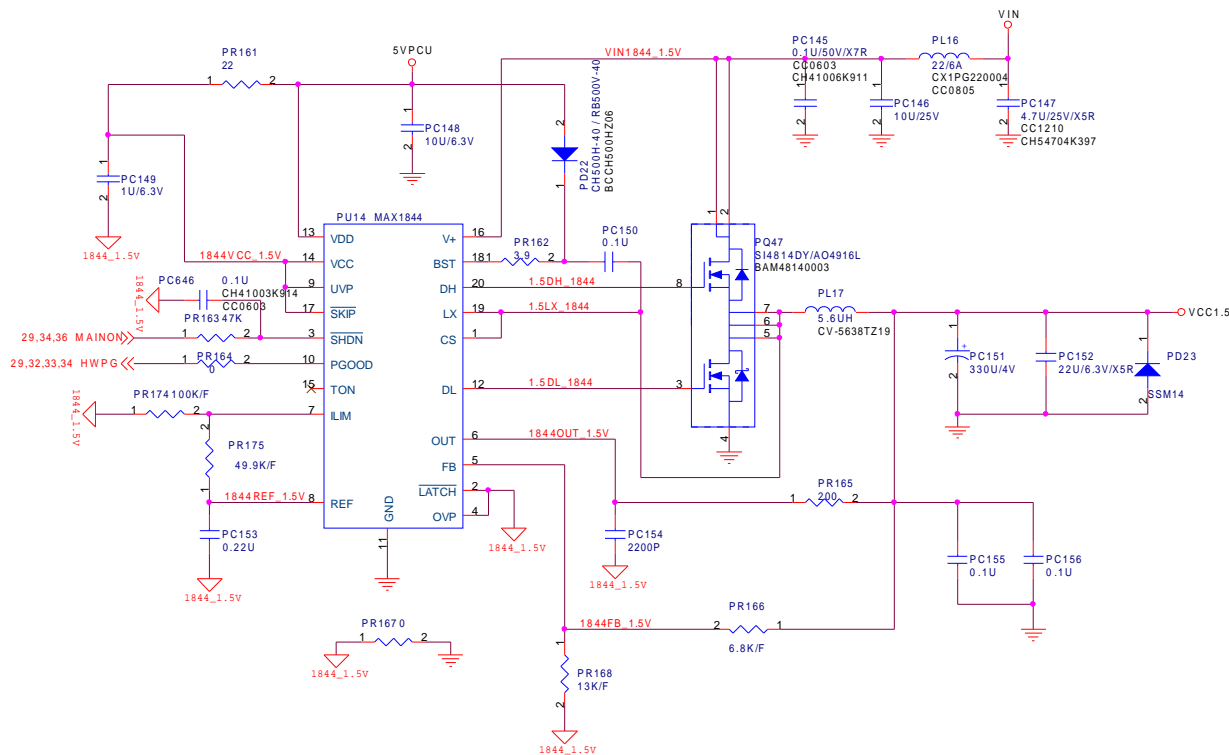


Default : External Gfx .  
 Internal Gfx : Install PR90  
 56K ohm

**QUANTA COMPUTER**

Size	Document Number	Rev
	<b>JE5.1 Main Board</b>	<b>2A</b>
Date:	Monday, August 30, 2004	Sheet 34 of 36

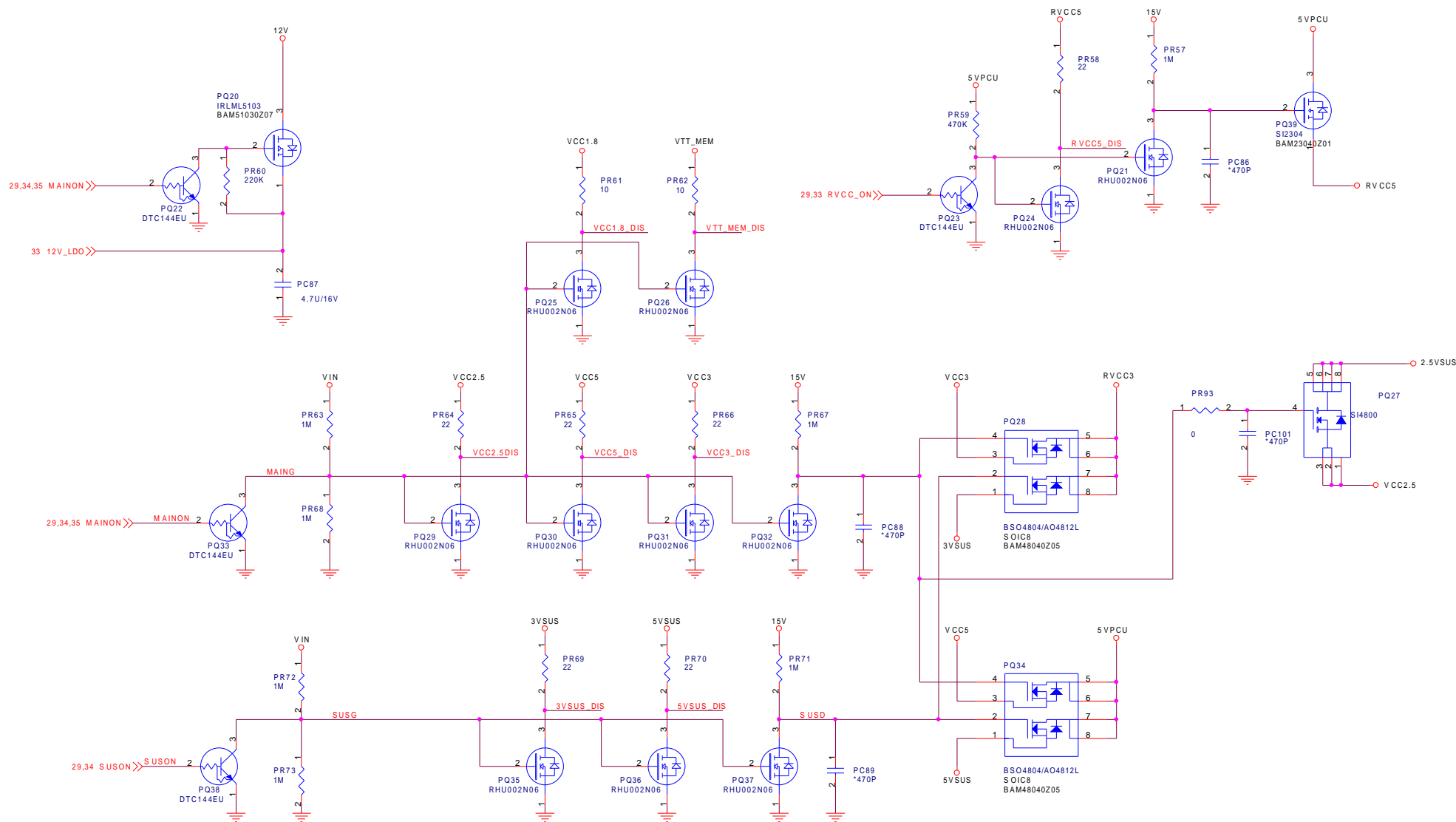
Level 1 environment-related substances should NEVER be used.  
 Molding resin, ink, paint and covered wiring material should be procured from the supplier approved as a Sony's green partner.




Default : External Gfx  
 Internal Gfx :  
 Remove all of components

Level 1 environment-related substances should NEVER be used.  
 Molding resin, ink, paint and covered wiring material should be procured from the supplier approved as a Sony's green partner.

		Size	Document Number	Rev
			JES.1 Main Board	2A
Date:	Monday, August 30, 2004	Sheet	35 of 36	



Level 1 environment-related substances should NEVER be used.  
 Molding resin, ink, paint and covered wiring material should be procured from the supplier approved as a Sony's green partner.

 <b>QUANTA COMPUTER</b>		Size	Document Number	Rev
			<b>JE5.1 Main Board</b>	<b>1A</b>
Date:	Monday, August 30, 2004	Sheet	36 of 36	