

SAMSUNG PROPRIETARY

THIS DOCUMENT CONTAINS CONFIDENTIAL
 PROPRIETARY INFORMATION THAT IS
 SAMSUNG ELECTRONICS CO.'S PROPERTY.
 DO NOT DISCLOSE TO OR DUPLICATE FOR OTHERS
 EXCEPT AS AUTHORIZED BY SAMSUNG.

SHANGHAI

CPU : Intel Merom
 Chip Set : CALISTOGA & ICH7-M
 Remarks : Mobility Platform

Model Name : Shanghai
 PBA Name : MAIN
 PCB Code : BA41-00774A/00732A
 Dev. Step : SR
 Revision : 1.0
 T.R. Date : 2007-03-15

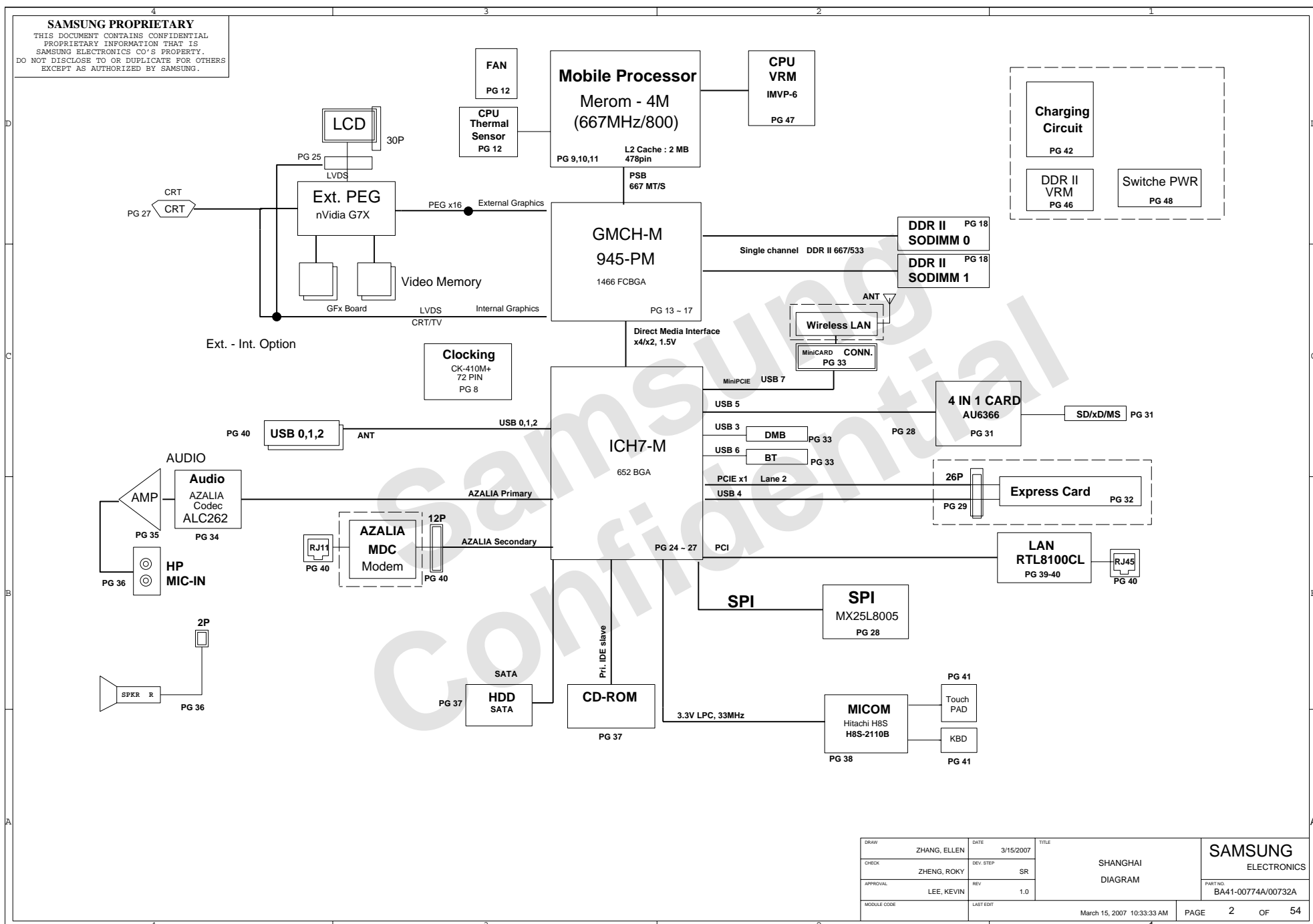
DRAW	CHECK	APPROVAL
ELLEN.ZHANG	ROKY ZHENG	KEVIN LEE

Table of Contents

1. COVER
- 2-7. DIAGRAM & ANNOTATION
8. CLOCK
- 9-11. MEROM
12. THERMAL & FAN
- 13-17. CALISTOGA
18. DDR2 SODIMM
19. DDR2 TERMINATION
- 20-22. GFX
23. GFX MEMORY
- 24-27 ICH7
28. SPI ROM
29. LCD
30. CRT
31. 4 IN 1 CARD
32. EXPRESS CARD
33. MINICARD/DMB/BT
- 34-36. AUDIO
37. HDD & ODD
38. MICOM
39. LAN
40. LAN & MDC & USB CONN
41. KBD & TOUCH-PAD CONN
42. CHARGE
43. P3.3V_AUX & P5.0V_AUX
44. P1.2V & VCCP_CORE
45. GRAPHIC CORE POWER
46. DDR2 POWER
47. CPU VRM
48. SWITCH POWER
49. POWER SWITCH AND LED
50. POWER STRAPS
- 51-54. TP

DRAW	ZHANG, ELLEN	DATE	3/15/2007	TITLE	SHANGHAI COVER	SAMSUNG ELECTRONICS PART NO. BA41-00774A/00732A
CHECK	ZHENG, ROKY	DEV. STEP	SR			
APPROVAL	LEE, KEVIN	REV	1.0			
MODULE CODE		LAST EDIT	March 15, 2007 10:33:33 AM	PAGE	1	OF 54

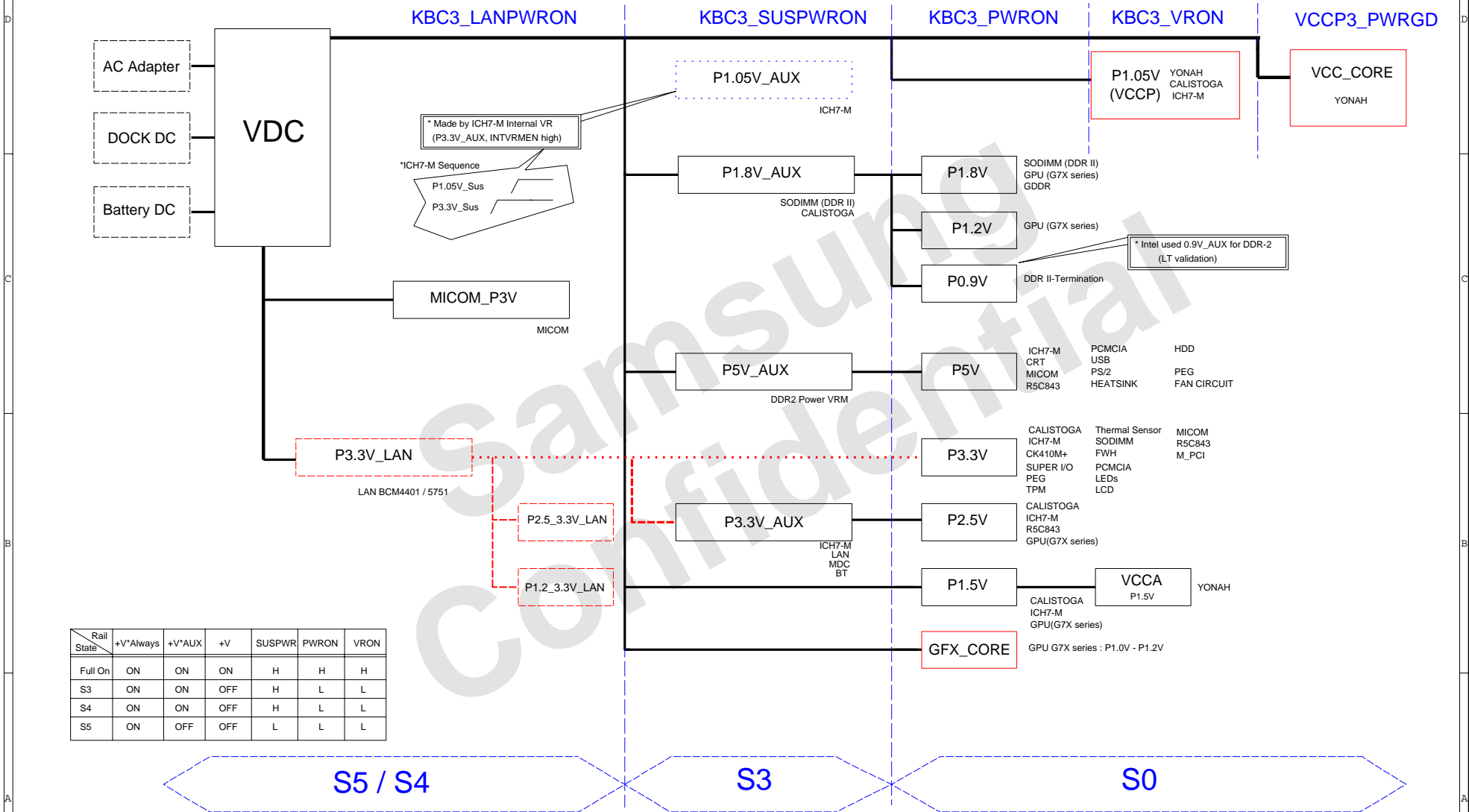
SAMSUNG PROPRIETARY
 THIS DOCUMENT CONTAINS CONFIDENTIAL
 PROPRIETARY INFORMATION THAT IS
 SAMSUNG ELECTRONICS CO.'S PROPERTY.
 DO NOT DISCLOSE TO OR DUPLICATE FOR OTHERS
 EXCEPT AS AUTHORIZED BY SAMSUNG.



DRAW	ZHANG, ELLEN	DATE	3/15/2007	TITLE	SHANGHAI DIAGRAM	SAMSUNG ELECTRONICS PART NO. BA41-00774A/00732A
CHECK	ZHENG, ROKY	DEV. STEP	SR			
APPROVAL	LEE, KEVIN	REV	1.0			
MODULE CODE		LAST EDIT				
March 15, 2007 10:33:33 AM					PAGE	2 OF 54

SAMSUNG PROPRIETARY
 THIS DOCUMENT CONTAINS CONFIDENTIAL
 PROPRIETARY INFORMATION THAT IS
 SAMSUNG ELECTRONICS CO.'S PROPERTY.
 DO NOT DISCLOSE TO OR DUPLICATE FOR OTHERS
 EXCEPT AS AUTHORIZED BY SAMSUNG.

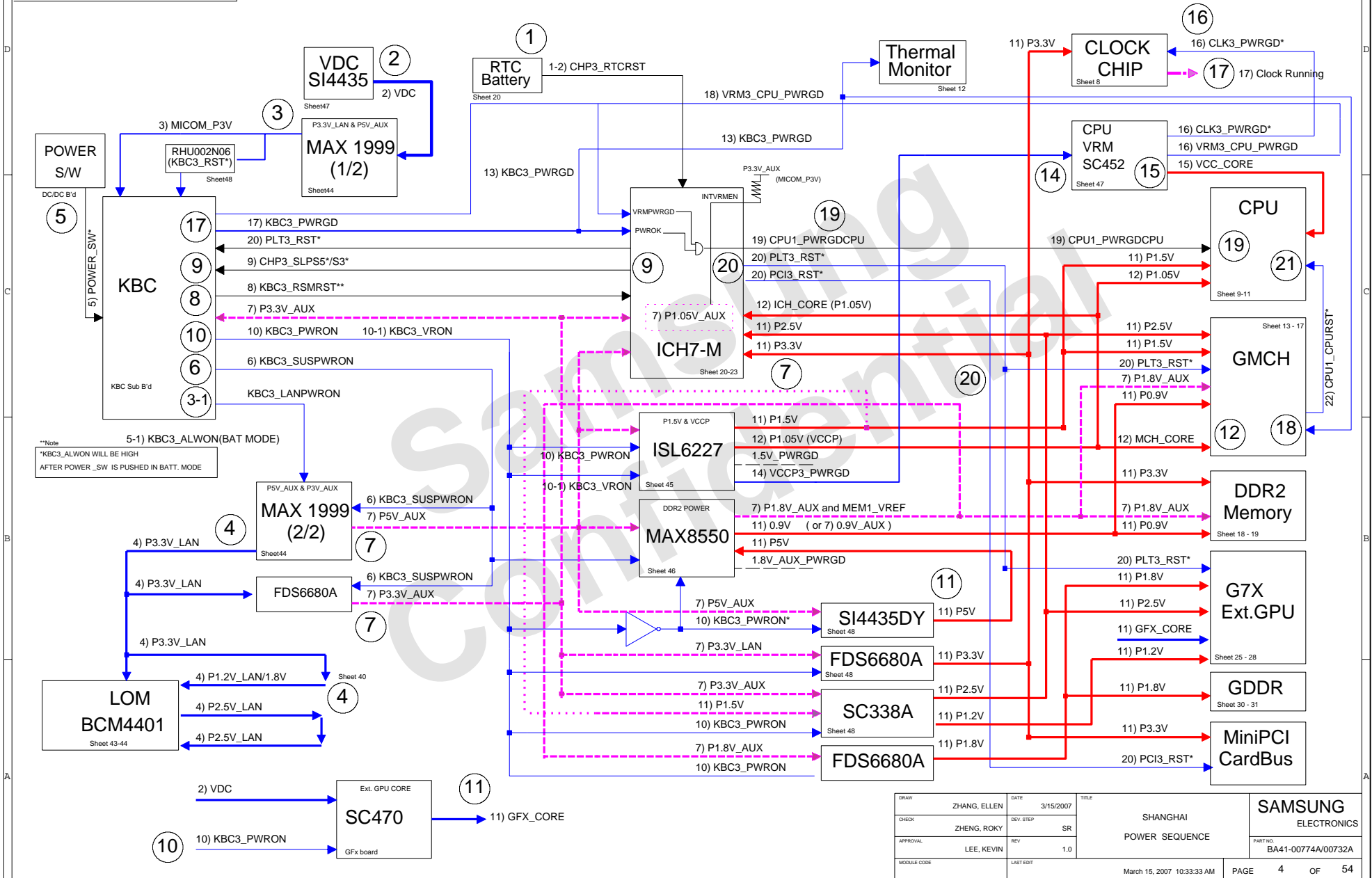
Power Diagram



DRAW	ZHANG, ELLEN	DATE	3/15/2007	TITLE	SHANGHAI POWER DIAGRAM	SAMSUNG ELECTRONICS PART NO. BA41-00774A/00732A
CHECK	ZHENG, ROKY	DEV. STEP	SR			
APPROVAL	LEE, KEVIN	REV	1.0			
MODULE CODE		LAST EDIT				
March 15, 2007 10:33:33 AM				PAGE	3	OF 54

SAMSUNG PROPRIETARY
 THIS DOCUMENT CONTAINS CONFIDENTIAL
 PROPRIETARY INFORMATION THAT IS
 SAMSUNG ELECTRONICS CO.'S PROPERTY.
 DO NOT DISCLOSE TO OR DUPLICATE FOR OTHERS
 EXCEPT AS AUTHORIZED BY SAMSUNG.

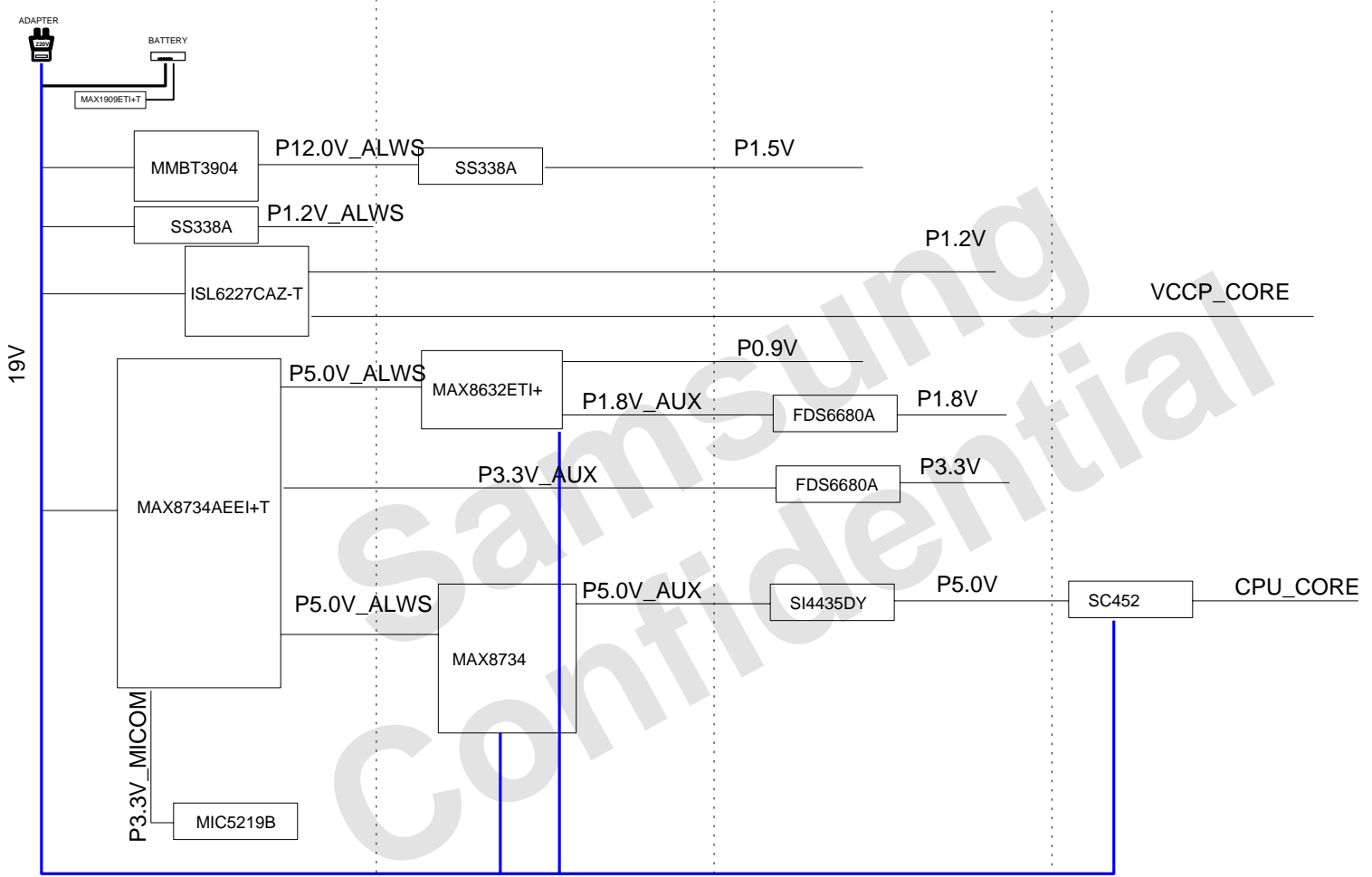
RESET DIAGRAM



DRAW	ZHANG, ELLEN	DATE	3/15/2007	TITLE	SHANGHAI POWER SEQUENCE	SAMSUNG ELECTRONICS PART NO. BA41-00774A/00732A
CHECK	ZHENG, ROKY	DEV. STEP	SR			
APPROVAL	LEE, KEVIN	REV	1.0			
MODULE CODE		LAST EDIT				
March 15, 2007 10:33:33 AM						PAGE 4 OF 54

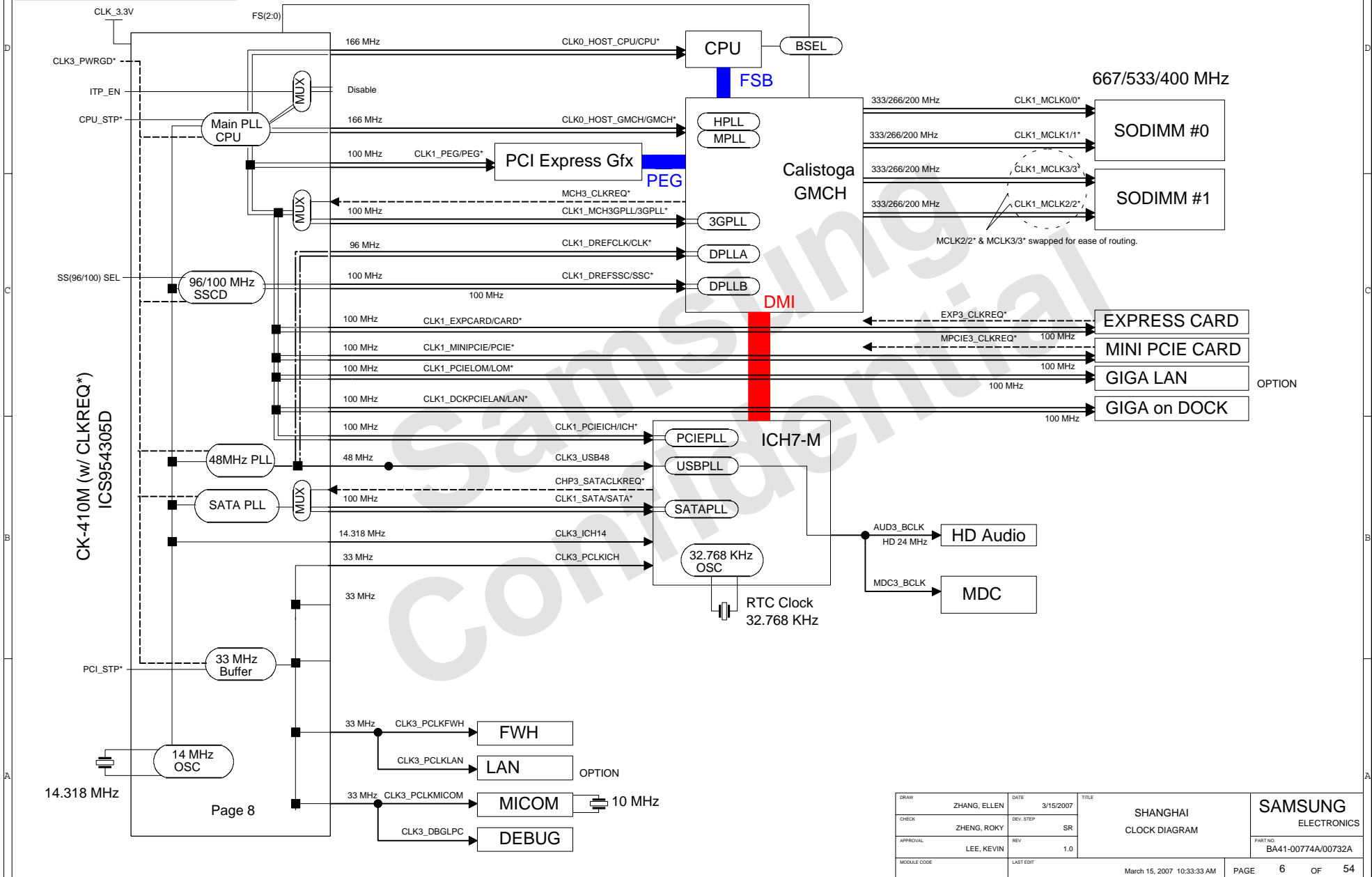
SAMSUNG PROPRIETARY
 THIS DOCUMENT CONTAINS CONFIDENTIAL
 PROPRIETARY INFORMATION THAT IS
 SAMSUNG ELECTRONICS CO.'S PROPERTY.
 DO NOT DISCLOSE TO OR DUPLICATE FOR OTHERS
 EXCEPT AS AUTHORIZED BY SAMSUNG.

POWER RAILS ANALYSIS



DRAW	ZHANG, ELLEN	DATE	3/15/2007	TITLE	SHANGHAI POWER BLOCK	SAMSUNG ELECTRONICS	
CHECK	ZHENG, ROKY	DEV. STEP	SR	PART NO.			BA41-00774A/00732A
APPROVAL	LEE, KEVIN	REV	1.0	PAGE			5 OF 54
MODULE CODE		LAST EDIT	March 15, 2007 10:33:33 AM				

SAMSUNG PROPRIETARY
 THIS DOCUMENT CONTAINS CONFIDENTIAL
 PROPRIETARY INFORMATION THAT IS
 SAMSUNG ELECTRONICS CO.'S PROPERTY.
 DO NOT DISCLOSE TO OR DUPLICATE FOR OTHERS
 EXCEPT AS AUTHORIZED BY SAMSUNG.



DRAW	ZHANG, ELLEN	DATE	3/15/2007	TITLE	SHANGHAI CLOCK DIAGRAM	SAMSUNG ELECTRONICS
CHECK	ZHENG, ROKY	DEV. STEP	SR			
APPROVAL	LEE, KEVIN	REV	1.0			PART NO. BA41-00774A/00732A
MODULE CODE		LAST EDIT		March 15, 2007 10:33:33 AM	PAGE	6 OF 54

SAMSUNG PROPRIETARY

THIS DOCUMENT CONTAINS CONFIDENTIAL PROPRIETARY INFORMATION THAT IS SAMSUNG ELECTRONICS CO.'S PROPERTY. DO NOT DISCLOSE TO OR DUPLICATE FOR OTHERS EXCEPT AS AUTHORIZED BY SAMSUNG.

SCHEMATIC ANNOTATIONS AND BOARD INFORMATION

PCI Devices

Devices	IDSEL#	REQ/GNT#	Interrupts
LAN	AD21	1	G
USB	AD30(internal)	-	-
Hub to PCI	AD31(internal)	-	-
LPC bridge/IDE/AC97/SMBUS	AD31(internal)	-	-
Internal MAC	AD31(internal)	-	-
AC Link	-	-	-

Crystal / Oscillator

TYPE	FREQUENCY	DEVICE	USAGE
Crystal	32.768KHz	SB600	Real Time Clock
Crystal	10MHz	MICOM	HS64FZ110B
Crystal	14.318MHz	CLOCK-Generator	ICS95481
Crystal	12MHz	AUG366	4 IN 1 CARD
Crystal	25MHz	LAN	LOM

Voltage Rails

CPU_CORE	CPU
VCCP_CORE	CPU RS600 SB600
P1.2V	RS600 SB600
P1.5V	CPU EXPCARD
P1.8V	RS600
P0.9V	DDR2
P5.0V	FAN THERMAL CRT SB600 AU6366 MINIPCI ALC262 HDD ODD MICOM USB TOUCH-PAD CPU_CORE
P3.3V	SYSTEM POWER
P2.5V_LAN	RTL8100
P1.8V_AUX	DDR2 P1.8V RS600
P5.0V_AUX	THERMAL LCD P1.2V P5.0V
P3.3V_AUX	MDC MICOM MINIPCI EXP-CARD SB600 THERMAL
P12.0V_ALWS	P1.5V P3.3V P1.8V
P5.0V_ALWS	P3.3V DDR2-PWR
P3.3V_MICOM	THERMAL SB600 MICOM LED P1.8V_ALWS
P1.2V_ALWS	SB600,P1.2V
VDC	Primary DC system power supply (7 to 21V)

CPU Core Voltage Table IMVP-6

Active Mode		Active/Deeper Sleep Dual Mode Region		Deeper Sleep/Extended Deeper Sleep Dual Mode Region	
VID(6:0)	Voltage	VID(6:0)	Voltage	VID(6:0)	Voltage
0 0 0 0 0 0 0	1.5000 V	0 1 0 1 0 0 0	1.0000 V	1 0 1 0 0 0 1	0.4875 V
0 0 0 0 0 0 0	1.4875 V	0 1 0 1 0 0 0	0.9875 V	1 0 1 0 0 0 1	0.4750 V
0 0 0 0 0 0 1	1.4750 V	0 1 0 1 0 0 1	0.9750 V	1 0 1 0 0 0 1	0.4625 V
0 0 0 0 0 1 0	1.4625 V	0 1 0 1 0 1 0	0.9625 V	1 0 1 0 1 0 0	0.4500 V
0 0 0 0 0 1 1	1.4500 V	0 1 0 1 1 0 0	0.9500 V	1 0 1 0 1 0 1	0.4375 V
0 0 0 0 1 0 0	1.4375 V	0 1 0 1 1 0 1	0.9375 V	1 0 1 0 1 1 0	0.4250 V
0 0 0 0 1 0 1	1.4250 V	0 1 0 1 1 1 0	0.9250 V	1 0 1 0 1 1 1	0.4125 V
0 0 0 0 1 1 0	1.4125 V	0 1 0 1 1 1 1	0.9125 V	1 0 1 1 0 0 0	0.4000 V
0 0 0 0 1 1 1	1.4000 V	0 1 1 0 0 0 0	0.9000 V	1 0 1 1 0 0 1	0.3875 V
0 0 0 1 0 0 0	1.3875 V	0 1 1 0 0 0 1	0.8875 V	1 0 1 1 0 1 0	0.3750 V
0 0 0 1 0 0 1	1.3750 V	0 1 1 0 0 1 0	0.8750 V	1 0 1 1 0 1 1	0.3625 V
0 0 0 1 0 1 0	1.3625 V	0 1 1 0 0 1 1	0.8625 V	1 0 1 1 1 0 0	0.3500 V
0 0 0 1 0 1 1	1.3500 V	0 1 1 0 1 0 0	0.8500 V	1 0 1 1 1 0 1	0.3375 V
0 0 0 1 1 0 0	1.3375 V	0 1 1 0 1 0 1	0.8375 V	1 0 1 1 1 1 0	0.3250 V
0 0 0 1 1 0 1	1.3250 V	0 1 1 0 1 1 0	0.8250 V	1 0 1 1 1 1 1	0.3125 V
0 0 0 1 1 1 0	1.3125 V	0 1 1 1 0 0 0	0.8125 V	1 1 0 0 0 0 0	0.3000 V
0 0 0 1 1 1 1	1.3000 V	0 1 1 1 0 0 1	0.8000 V	1 1 0 0 0 0 1	0.2875 V
0 0 1 0 0 0 0	1.2875 V	0 1 1 1 0 0 1	0.7875 V	1 1 0 0 0 1 0	0.2750 V
0 0 1 0 0 0 1	1.2750 V	0 1 1 1 0 1 0	0.7750 V	1 1 0 0 1 0 0	0.2625 V
0 0 1 0 0 1 0	1.2625 V	0 1 1 1 0 1 1	0.7625 V	1 1 0 0 1 0 1	0.2500 V
0 0 1 0 0 1 1	1.2500 V	0 1 1 1 1 0 0	0.7500 V	1 1 0 0 1 0 1	0.2375 V
0 0 1 0 1 0 0	1.2375 V	0 1 1 1 1 0 1	0.7375 V	1 1 0 0 1 1 0	0.2250 V
0 0 1 0 1 0 1	1.2250 V	0 1 1 1 1 1 0	0.7250 V	1 1 0 0 1 1 1	0.2125 V
0 0 1 0 1 1 0	1.2125 V	0 1 1 1 1 1 1	0.7125 V	1 1 0 1 0 0 0	0.2000 V
0 0 1 0 1 1 1	1.2000 V	1 0 0 0 0 0 0	0.7000 V	1 1 0 1 0 0 1	0.1875 V
0 0 1 1 0 0 0	1.1875 V	1 0 0 0 0 0 1	0.6875 V	1 1 0 1 0 1 0	0.1750 V
0 0 1 1 0 0 1	1.1750 V	1 0 0 0 0 1 0	0.6750 V	1 1 0 1 0 1 1	0.1625 V
0 0 1 1 0 1 0	1.1625 V	1 0 0 0 0 1 1	0.6625 V	1 1 0 1 1 0 0	0.1500 V
0 0 1 1 0 1 1	1.1500 V	1 0 0 0 1 0 0	0.6500 V	1 1 0 1 1 0 1	0.1375 V
0 0 1 1 1 0 0	1.1375 V	1 0 0 0 1 0 1	0.6375 V	1 1 0 1 1 1 0	0.1250 V
0 0 1 1 1 0 1	1.1250 V	1 0 0 0 1 1 0	0.6250 V	1 1 0 1 1 1 1	0.1125 V
0 0 1 1 1 1 0	1.1125 V	1 0 0 0 1 1 1	0.6125 V	1 1 1 0 0 0 0	0.1000 V
0 0 1 1 1 1 1	1.1000 V	1 0 0 1 0 0 0	0.6000 V	1 1 1 0 0 0 1	0.0875 V
0 1 0 0 0 0 0	1.0875 V	1 0 0 1 0 0 1	0.5875 V	1 1 1 0 0 1 0	0.0750 V
0 1 0 0 0 0 1	1.0750 V	1 0 0 1 0 1 0	0.5750 V	1 1 1 0 0 1 1	0.0625 V
0 1 0 0 0 1 0	1.0625 V	1 0 0 1 0 1 1	0.5625 V	1 1 1 0 1 0 0	0.0500 V
0 1 0 0 0 1 1	1.0500 V	1 0 0 1 1 0 0	0.5500 V	1 1 1 0 1 0 1	0.0375 V
0 1 0 0 1 0 0	1.0375 V	1 0 0 1 1 0 1	0.5375 V	1 1 1 0 1 1 0	0.0250 V
0 1 0 0 1 0 1	1.0250 V	1 0 0 1 1 1 0	0.5250 V	1 1 1 0 1 1 1	0.0125 V
0 1 0 0 1 1 0	1.0125 V	1 0 0 1 1 1 1	0.5125 V	1 1 1 1 0 0 0	0.0000 V
0 1 0 0 1 1 1	1.0125 V	1 0 1 0 0 0 0	0.5000 V	1 1 1 1 0 0 1	0.0000 V
				1 1 1 1 0 1 0	0.0000 V
				1 1 1 1 0 1 1	0.0000 V
				1 1 1 1 1 0 0	0.0000 V
				1 1 1 1 1 0 1	0.0000 V
				1 1 1 1 1 1 0	0.0000 V
				1 1 1 1 1 1 1	0.0000 V
				1 1 1 1 1 1 1	0.0000 V

IC / SMB Address

Devices	Address	Hex	Bus
SB600	Master	-	SMBUS Master
EMCN300(CPU Thermal Sensor)	1001 110X	9Ch	Thermal Sensor
SODIMM0	1010 0000	A0h	-
SODIMM1	1010 001X	A2h	-
ICS95411 (Clock Generator)	1101 001x	D2h	Clock, Unused Clock Output Disable

USB PORT Assign

PORT NUMBER	ASSIGNED TO
0	SYSTEM PORT A
1,2	SYSTEM PORT B
3	DMB
4	EXPRESS CARD
5	4 IN 1 CARD
6	BT
7	MINICARD

System Power States

CHP3_SLPS1* S1, Powered-On-Suspend(POS) : In this state, all clocks(except the 32.768KHz clock) are stopped. The system context is maintained in system DRAM. Power is maintained to PCI, the CPU, memory controller, memory, and all other critical subsystems. Note that this state does not preclude power being removed from non-essential devices, such as disk drives. During this state, CPU can be selected for either Deep Sleep or Deeper Sleep. In Deeper Sleep, CPU voltage reduced in this state to reduce the leakage power.

CHP3_SLPS3* S3, Suspend-To-RAM(STR) : The system context is maintained in system DRAM, but power is shut off to non-critical circuits. Memory is retained, and refreshes continue. All clocks stop except RTC clock.

CHP3_SLPS4* S4, Suspend-To-Disk(STD) : The Context of the system is maintained on the disk. All power is then shut off to the system except for the logic required to resume. Externally appears same as S5, but may have different wake events.

CHP3_SLPS5* S5, Soft Off(SOFF) : System context is not maintained. All power is shut off except for the logic required to restart. A full boot is required when waking.

*Yonah Processor (2.33 GHz / 800 MHz : TBD)

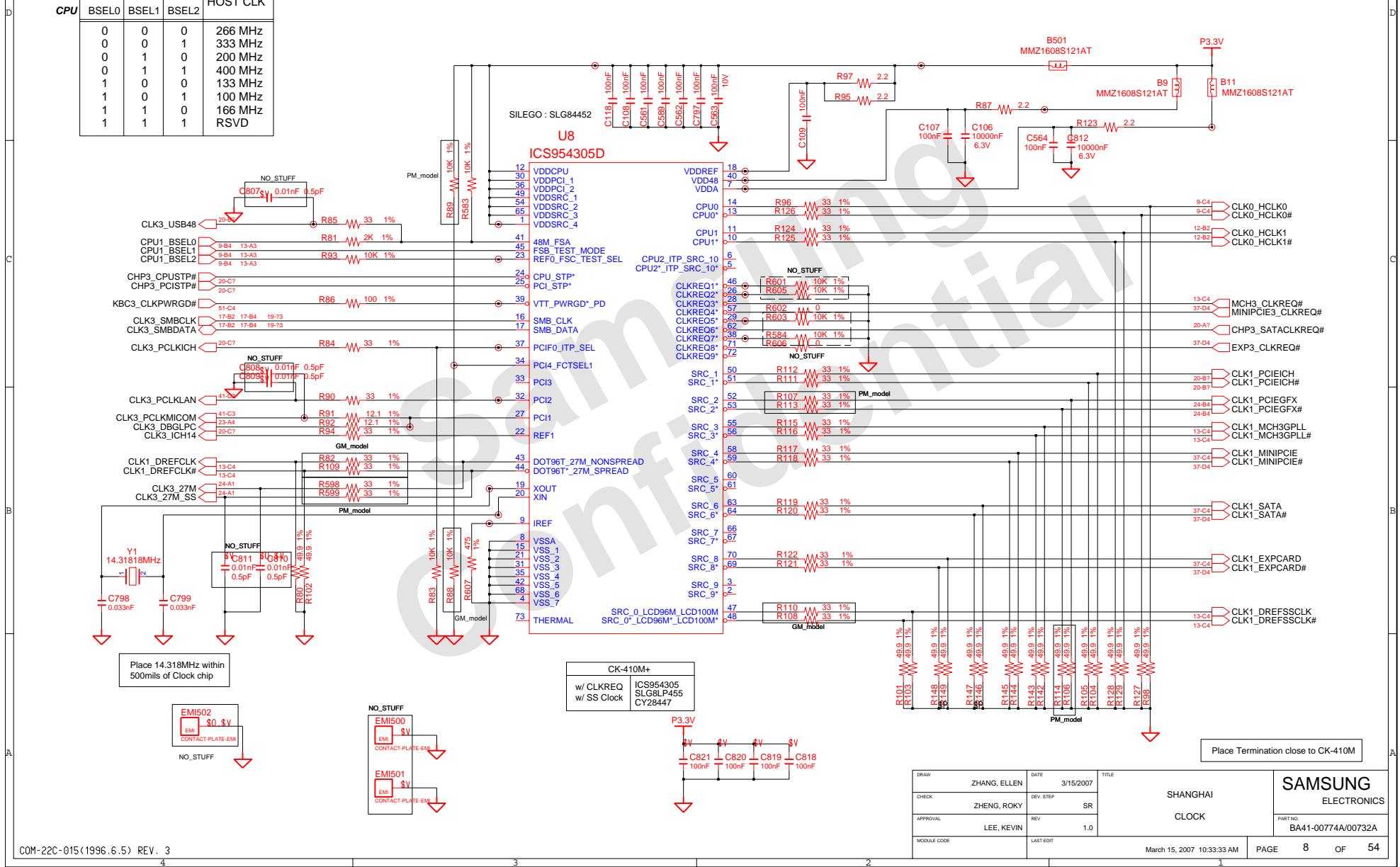
DRAW	ZHANG, ELLEN	DATE	3/15/2007	TITLE	
CHECK	ZHENG, ROKY	DEV. STEP	SR	SHANGHAI	SAMSUNG ELECTRONICS PART NO. BA41-00774A/00732A
APPROVAL	LEE, KEVIN	REV	1.0	ANNOTATIONS	
MODULE CODE		LAST EDIT			
				March 15, 2007 10:33:33 AM	PAGE 7 OF 54

SAMSUNG PROPRIETARY

THIS DOCUMENT CONTAINS CONFIDENTIAL PROPRIETARY INFORMATION THAT IS SAMSUNG ELECTRONICS CO.'S PROPERTY. DO NOT DISCLOSE TO OR DUPLICATE FOR OTHERS EXCEPT AS AUTHORIZED BY SAMSUNG.

FSA	FSB	FSC	HOST CLK
0	0	0	266 MHz
0	0	1	333 MHz
0	1	0	200 MHz
0	1	1	400 MHz
1	0	0	133 MHz
1	0	1	100 MHz
1	1	0	166 MHz
1	1	1	RSVD

CPU BSEL0 BSEL1 BSEL2



Place 14.318MHz within 500mils of Clock chip

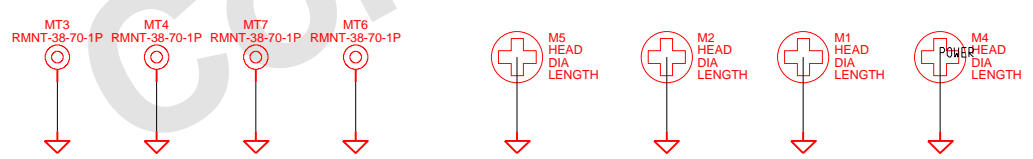
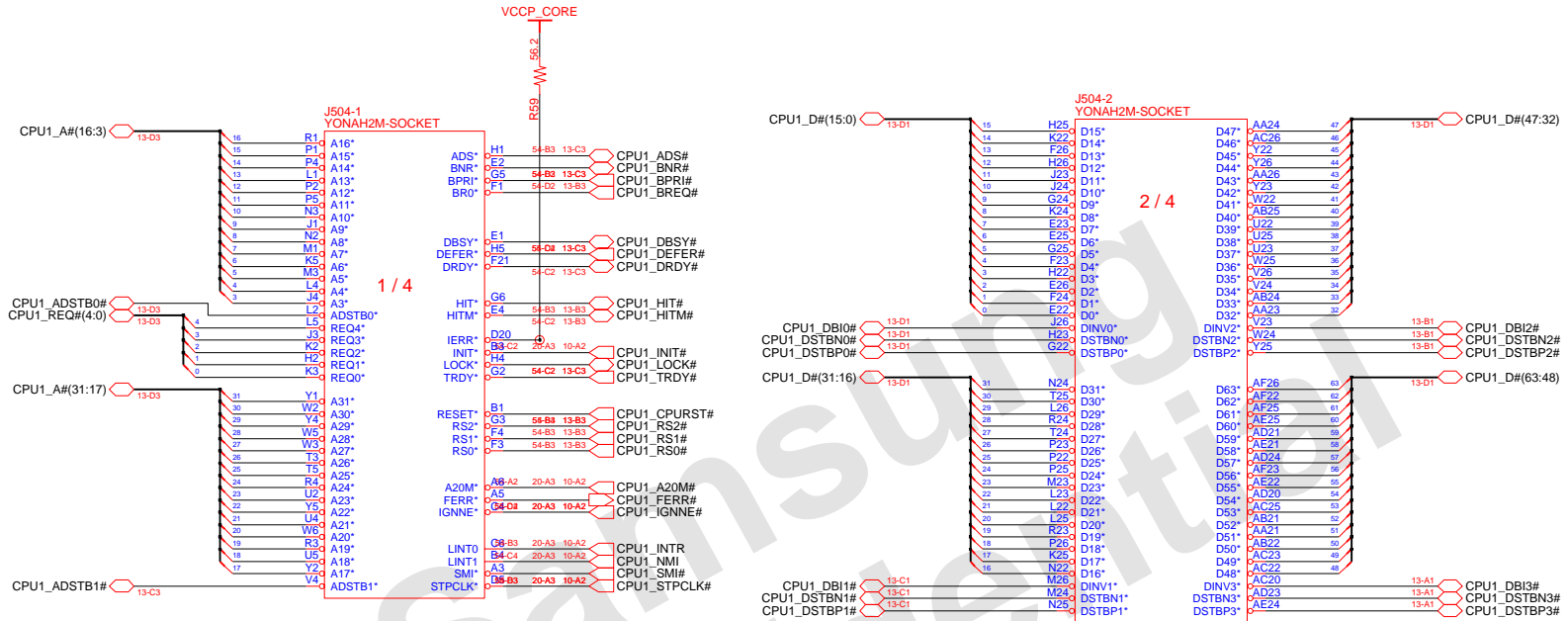
CK-410M+
w/ CLKREQ
w/ SS Clock

Place Termination close to CK-410M

DRAW	ZHANG, ELLEN	DATE	3/15/2007	TITLE	SHANGHAI CLOCK	SAMSUNG ELECTRONICS
CHECK	ZHENG, ROKY	DEV. STEP	SR			
APPROVAL	LEE, KEVIN	REV	1.0			
MODULE CODE		LAST EDIT				
March 15, 2007 10:33:33 AM				PAGE	8	OF 54

SAMSUNG PROPRIETARY

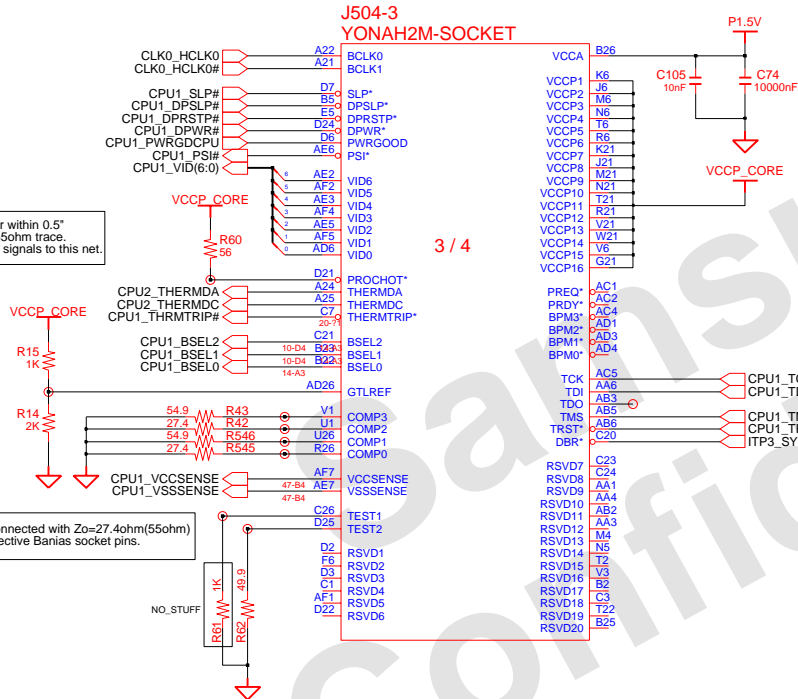
THIS DOCUMENT CONTAINS CONFIDENTIAL PROPRIETARY INFORMATION THAT IS SAMSUNG ELECTRONICS CO.'S PROPERTY. DO NOT DISCLOSE TO OR DUPLICATE FOR OTHERS EXCEPT AS AUTHORIZED BY SAMSUNG.



DRAW	ZHANG, ELLEN	DATE	3/15/2007	TITLE	SHANGHAI MEROM(1/3)	SAMSUNG ELECTRONICS PART NO. BA41-00774A/00732A	
CHECK	ZHENG, ROKY	DEV. STEP	SR				
APPROVAL	LEE, KEVIN	REV	1.0				
MODULE CODE		LAST EDIT					
March 15, 2007 10:33:33 AM						PAGE	9 OF 54

SAMSUNG PROPRIETARY

THIS DOCUMENT CONTAINS CONFIDENTIAL PROPRIETARY INFORMATION THAT IS SAMSUNG ELECTRONICS CO.'S PROPERTY. DO NOT DISCLOSE TO OR DUPLICATE FOR OTHERS EXCEPT AS AUTHORIZED BY SAMSUNG.



GTLREF : Keep the Voltage divider within 0.5" of the first GTLREF0 pin with Zo=55ohm trace. Minimize coupling of any switching signals to this net.

COMP0.2(COMP1,3) should be connected with Zo=27.4ohm(55ohm) trace shorter than 1/2" to their respective Banias socket pins.

CPU Core Voltage Table IMVP-6

Active Mode		Active/Deeper Sleep Dual Mode Region		Deeper Sleep/Extended Deeper Sleep Dual Mode Region	
VID(6:0)	Voltage	VID(6:0)	Voltage	VID(6:0)	Voltage
0 0 0 0 0 0 0	1.5000 V	0 1 0 1 0 0 0	1.0000 V	1 0 1 0 0 0 1	0.4875 V
0 0 0 0 0 0 1	1.4875 V	0 1 0 1 0 0 1	0.9875 V	1 0 1 0 0 1 0	0.4750 V
0 0 0 0 0 1 0	1.4750 V	0 1 0 1 0 1 0	0.9750 V	1 0 1 0 0 1 1	0.4625 V
0 0 0 0 0 1 1	1.4625 V	0 1 0 1 1 0 0	0.9625 V	1 0 1 0 1 0 0	0.4500 V
0 0 0 0 1 0 0	1.4500 V	0 1 0 1 1 0 1	0.9500 V	1 0 1 0 1 0 1	0.4375 V
0 0 0 0 1 0 1	1.4375 V	0 1 0 1 1 1 0	0.9375 V	1 0 1 0 1 1 0	0.4250 V
0 0 0 0 1 1 0	1.4250 V	0 1 0 1 1 1 1	0.9250 V	1 0 1 0 1 1 1	0.4125 V
0 0 0 0 1 1 1	1.4125 V	0 1 1 0 0 0 0	0.9125 V	1 0 1 1 0 0 0	0.4000 V
0 0 0 1 0 0 0	1.4000 V	0 1 1 0 0 0 1	0.9000 V	1 0 1 1 0 0 1	0.3875 V
0 0 0 1 0 0 1	1.3875 V	0 1 1 0 0 1 0	0.8875 V	1 0 1 1 0 1 0	0.3750 V
0 0 0 1 0 1 0	1.3750 V	0 1 1 0 0 1 1	0.8750 V	1 0 1 1 0 1 1	0.3625 V
0 0 0 1 0 1 1	1.3625 V	0 1 1 0 1 0 0	0.8625 V	1 0 1 1 1 0 0	0.3500 V
0 0 0 1 1 0 0	1.3500 V	0 1 1 0 1 0 1	0.8500 V	1 0 1 1 1 0 1	0.3375 V
0 0 0 1 1 0 1	1.3375 V	0 1 1 0 1 1 0	0.8375 V	1 0 1 1 1 1 0	0.3250 V
0 0 0 1 1 1 0	1.3250 V	0 1 1 0 1 1 1	0.8250 V	1 0 1 1 1 1 1	0.3125 V
0 0 0 1 1 1 1	1.3125 V	0 1 1 1 0 0 0	0.8125 V	1 1 0 0 0 0 0	0.3000 V
0 0 1 0 0 0 0	1.3000 V	0 1 1 1 0 0 1	0.8000 V	1 1 0 0 0 0 1	0.2875 V
0 0 1 0 0 0 1	1.2875 V	0 1 1 1 0 1 0	0.7875 V	1 1 0 0 0 1 0	0.2750 V
0 0 1 0 0 1 0	1.2750 V	0 1 1 1 0 1 1	0.7750 V	1 1 0 0 0 1 1	0.2625 V
0 0 1 0 0 1 1	1.2625 V	0 1 1 1 1 0 0	0.7625 V	1 1 0 0 1 0 0	0.2500 V
0 0 1 0 1 0 0	1.2500 V	0 1 1 1 1 0 1	0.7500 V	1 1 0 0 1 0 1	0.2375 V
0 0 1 0 1 0 1	1.2375 V	0 1 1 1 1 1 0	0.7375 V	1 1 0 0 1 1 0	0.2250 V
0 0 1 0 1 1 0	1.2250 V	0 1 1 1 1 1 1	0.7250 V	1 1 0 0 1 1 1	0.2125 V
0 0 1 0 1 1 1	1.2125 V	0 1 1 1 1 1 1	0.7125 V	1 1 0 1 0 0 0	0.2000 V
0 0 1 1 0 0 0	1.2000 V	1 0 0 0 0 0 0	0.7000 V	1 1 0 1 0 0 1	0.1875 V
0 0 1 1 0 0 1	1.1875 V	1 0 0 0 0 0 1	0.6875 V	1 1 0 1 0 1 0	0.1750 V
0 0 1 1 0 1 0	1.1750 V	1 0 0 0 0 1 0	0.6750 V	1 1 0 1 0 1 1	0.1625 V
0 0 1 1 0 1 1	1.1625 V	1 0 0 0 0 1 1	0.6625 V	1 1 0 1 1 0 0	0.1500 V
0 0 1 1 1 0 0	1.1500 V	1 0 0 0 1 0 0	0.6500 V	1 1 0 1 1 0 1	0.1375 V
0 0 1 1 1 0 1	1.1375 V	1 0 0 0 1 0 1	0.6375 V	1 1 0 1 1 1 0	0.1250 V
0 0 1 1 1 1 0	1.1250 V	1 0 0 0 1 1 0	0.6250 V	1 1 0 1 1 1 1	0.1125 V
0 0 1 1 1 1 1	1.1125 V	1 0 0 0 1 1 1	0.6125 V	1 1 1 0 0 0 0	0.1000 V
0 1 0 0 0 0 0	1.1000 V	1 0 0 1 0 0 0	0.6000 V	1 1 1 0 0 0 1	0.0875 V
0 1 0 0 0 0 1	1.0875 V	1 0 0 1 0 0 1	0.5875 V	1 1 1 0 0 1 0	0.0750 V
0 1 0 0 0 1 0	1.0750 V	1 0 0 1 0 1 0	0.5750 V	1 1 1 0 0 1 1	0.0625 V
0 1 0 0 0 1 1	1.0625 V	1 0 0 1 1 0 0	0.5625 V	1 1 1 0 1 0 0	0.0500 V
0 1 0 0 1 0 0	1.0500 V	1 0 0 1 1 0 1	0.5500 V	1 1 1 0 1 0 1	0.0375 V
0 1 0 0 1 0 1	1.0375 V	1 0 0 1 1 0 1	0.5375 V	1 1 1 0 1 1 0	0.0250 V
0 1 0 0 1 1 0	1.0250 V	1 0 0 1 1 1 0	0.5250 V	1 1 1 0 1 1 1	0.0125 V
0 1 0 0 1 1 1	1.0125 V	1 0 0 1 1 1 1	0.5125 V	1 1 1 1 0 0 0	0.0000 V
		1 0 1 0 0 0 0	0.5000 V	1 1 1 1 0 0 1	0.0000 V
		1 0 1 0 0 0 1		1 1 1 1 0 1 0	0.0000 V
		1 0 1 0 0 1 0		1 1 1 1 0 1 1	0.0000 V
		1 0 1 0 1 0 0		1 1 1 1 1 0 0	0.0000 V
		1 0 1 0 1 0 1		1 1 1 1 1 0 1	0.0000 V
		1 0 1 0 1 1 0		1 1 1 1 1 1 0	0.0000 V
		1 0 1 0 1 1 1		1 1 1 1 1 1 1	0.0000 V

Active
DPRSLPVR 0
DPRSTP* 1
PSI2* 0 or 1

Deeper Slp
DPRSLPVR 1
DPRSTP* 0
PSI2* 0 or 1

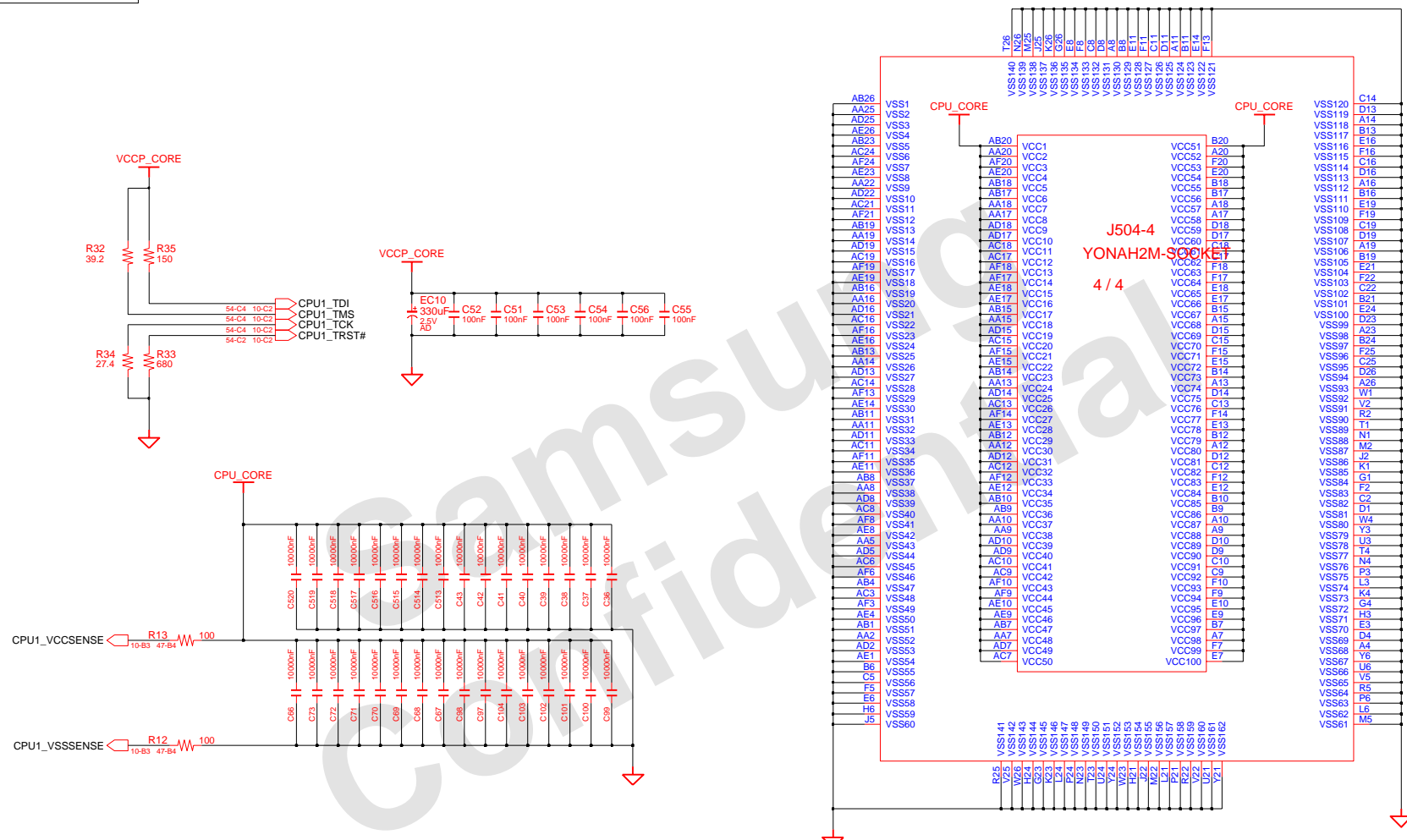
**11111111* : 0V power good asserted.

*Yonah Processor (2.33 GHz / 800 MHz : TBD)

DRAW	ZHANG, ELLEN	DATE	3/15/2007	TITLE	SHANGHAI MEROM(2/3)	SAMSUNG ELECTRONICS
CHECK	ZHENG, ROKY	DEV. STEP	SR			
APPROVAL	LEE, KEVIN	REV	1.0			
MODULE CODE		LAST ENT				
			March 15, 2007 10:33:33 AM	PAGE 10 OF 54		

SAMSUNG PROPRIETARY

THIS DOCUMENT CONTAINS CONFIDENTIAL PROPRIETARY INFORMATION THAT IS SAMSUNG ELECTRONICS CO.'S PROPERTY. DO NOT DISCLOSE TO OR DUPLICATE FOR OTHERS EXCEPT AS AUTHORIZED BY SAMSUNG.



DRAW	ZHANG, ELLEN	DATE	3/15/2007	TITLE	SHANGHAI MEROM(3/3)	SAMSUNG ELECTRONICS
CHECK	ZHENG, ROKY	DEV. STEP	SR			
APPROVAL	LEE, KEVIN	REV	1.0			PART NO. BA41-00774A/00732A
MODULE CODE		LAST EDIT		March 15, 2007 10:33:33 AM	PAGE	11 OF 54

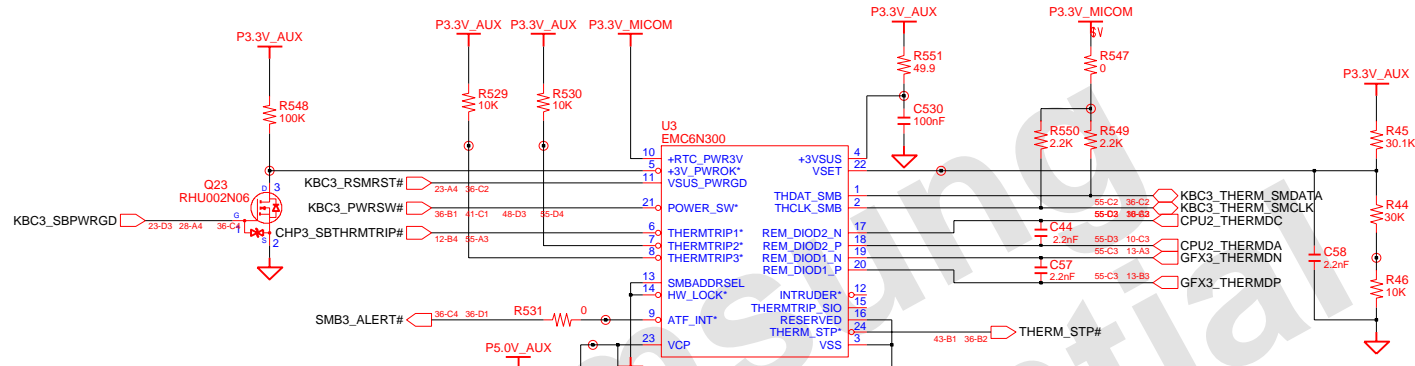
SAMSUNG PROPRIETARY

THIS DOCUMENT CONTAINS CONFIDENTIAL PROPRIETARY INFORMATION THAT IS SAMSUNG ELECTRONICS CO.'S PROPERTY. DO NOT DISCLOSE TO OR DUPLICATE FOR OTHERS EXCEPT AS AUTHORIZED BY SAMSUNG.

Refer To Thermal Sensor Layout Guidelines.

- Place the Thermal Sensor close to a remote diode.
- Keep traces away from high voltage (+12V bus)
- Keep traces away from fast data buses and CRT signal.
- Use recommended trace widths and spacings (10mil)
- Place a ground plane under the traces.
- Use guard traces flanking DXP and DXN and connecting to GND

CPU / RS600 Thermal Sensor



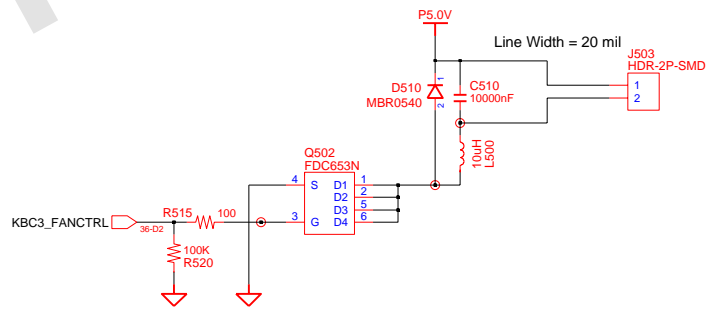
Please place this part between CPU & MCH

PLACE THIS AT THE OPPOSITE SIDE OF CPU

Place between NB and CPU

NO_STUFF

FAN Control Logic

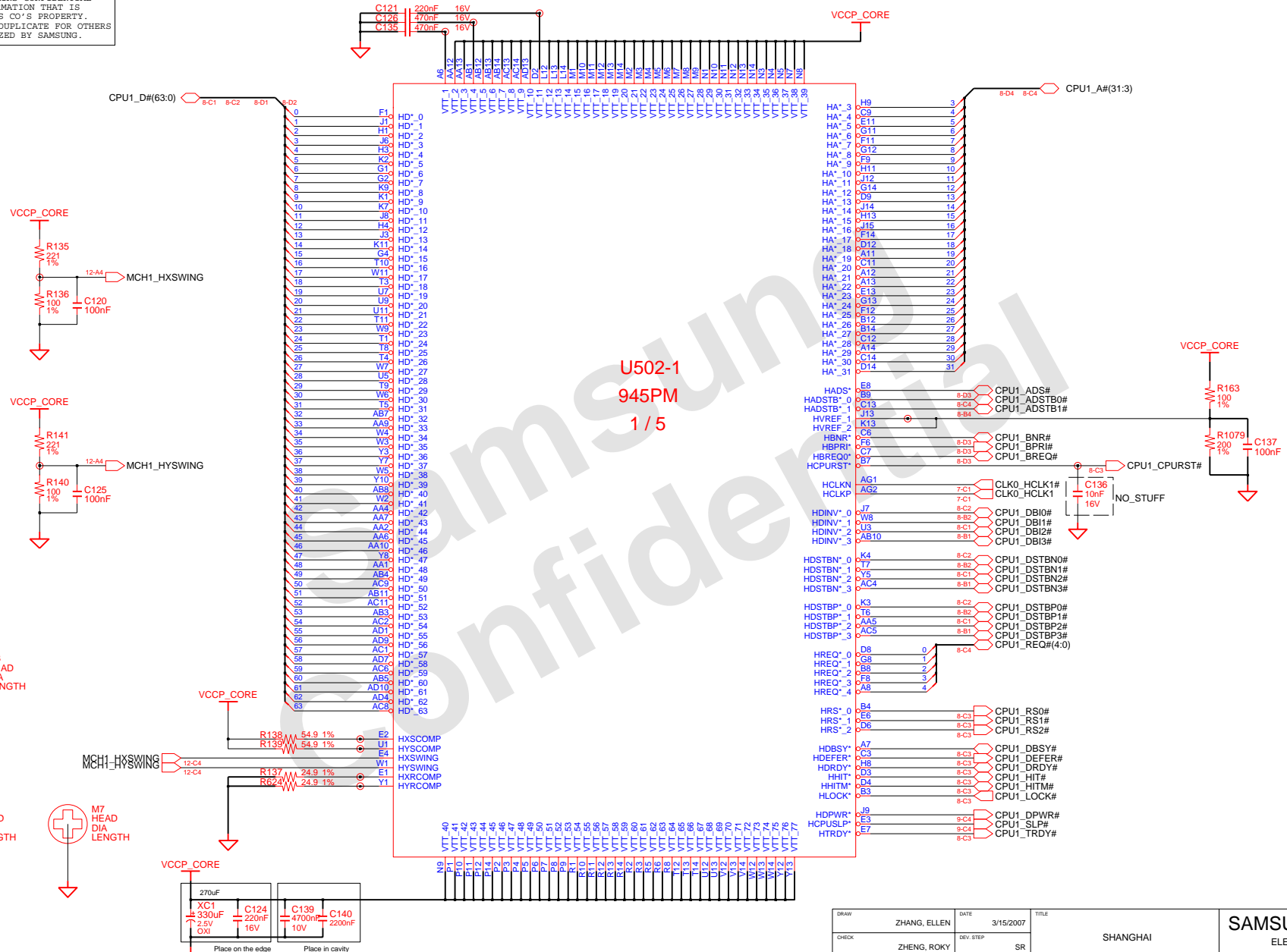


Line Width = 20 mil

DRAW	ZHANG, ELLEN	DATE	3/15/2007	TITLE	SHANGHAI THERMAL & FAN	SAMSUNG ELECTRONICS
CHECK	ZHENG, ROKY	DEV. STEP	SR			
APPROVAL	LEE, KEVIN	REV	1.0			PART NO. BA41-00774A/00732A
MODULE CODE		LAST EDIT		March 15, 2007 10:33:33 AM	PAGE	12 OF 54

SAMSUNG PROPRIETARY

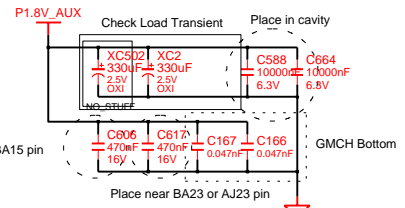
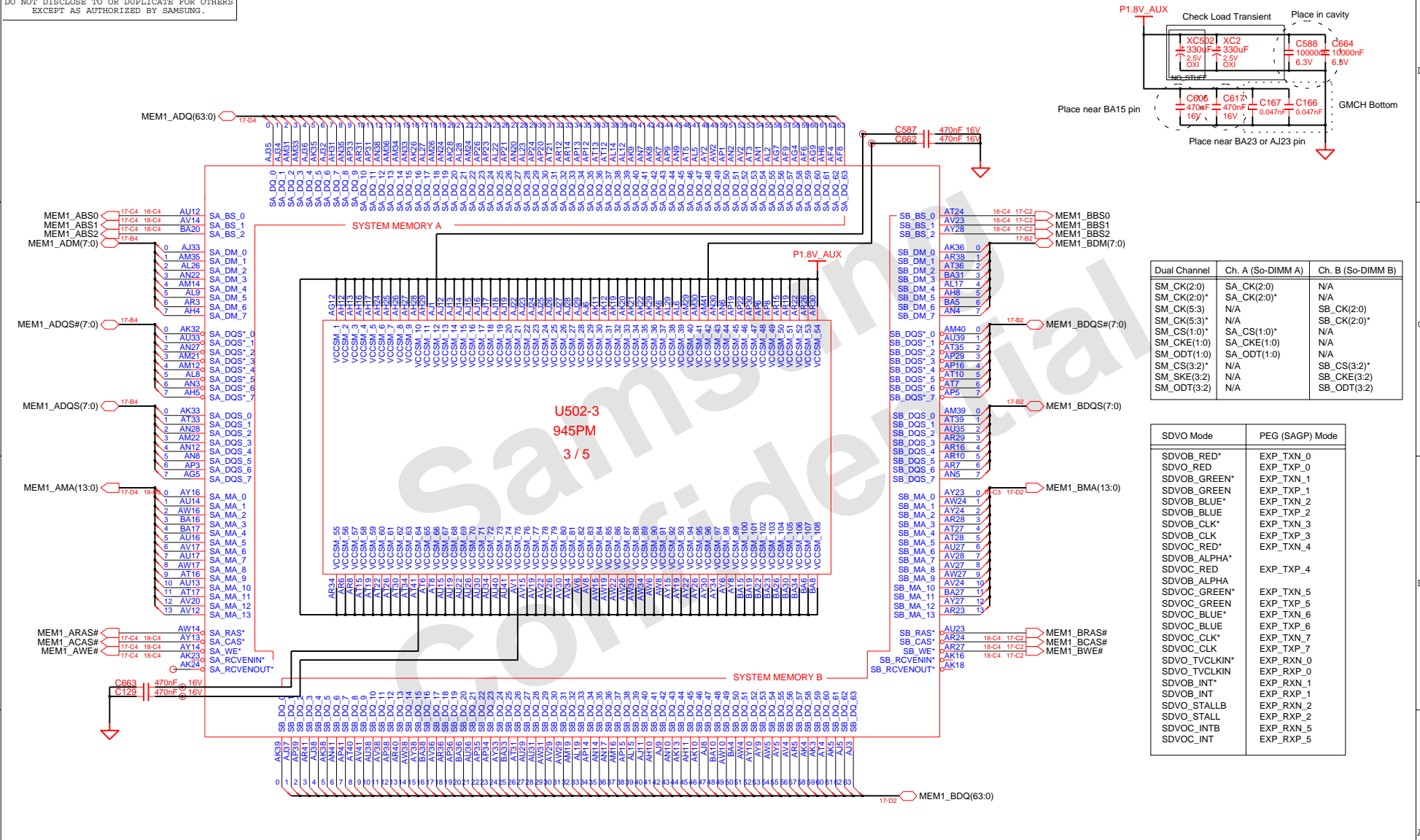
THIS DOCUMENT CONTAINS CONFIDENTIAL PROPRIETARY INFORMATION THAT IS SAMSUNG ELECTRONICS CO.'S PROPERTY. DO NOT DISCLOSE TO OR DUPLICATE FOR OTHERS EXCEPT AS AUTHORIZED BY SAMSUNG.



U502-1
945PM
1 / 5

DRAW	ZHANG, ELLEN	DATE	3/15/2007	TITLE		SHANGHAI CALISTOGA(1/5)	SAMSUNG ELECTRONICS
CHECK	ZHENG, ROKY	DEV. STEP	SR				
APPROVAL	LEE, KEVIN	REV	1.0			PART NO.	BA41-00774A/00732A
MODULE CODE		LAST EDIT				March 15, 2007 10:33:33 AM	PAGE 13 OF 54

SAMSUNG PROPRIETARY
 THIS DOCUMENT CONTAINS CONFIDENTIAL
 PROPRIETARY INFORMATION THAT IS
 SAMSUNG ELECTRONICS CO.'S PROPERTY.
 DO NOT DISCLOSE TO OR DUPLICATE FOR OTHERS
 EXCEPT AS AUTHORIZED BY SAMSUNG.



Dual Channel	Ch. A (So-DIMM A)	Ch. B (So-DIMM B)
SM_CK(2:0)	SA_CK(2:0)	N/A
SM_CK(2:0)*	SA_CK(2:0)*	N/A
SM_CK(5:3)	N/A	SB_CK(2:0)
SM_CK(5:3)*	N/A	SB_CK(2:0)*
SM_CS(1:0)	SA_CS(1:0)*	N/A
SM_CKE(1:0)	SA_CKE(1:0)	N/A
SM_ODT(1:0)	SA_ODT(1:0)	N/A
SM_CS(3:2)	N/A	SB_CS(3:2)*
SM_SKE(3:2)	N/A	SB_CKE(3:2)
SM_ODT(3:2)	N/A	SB_ODT(3:2)

SDVO Mode	PEG (SAGP) Mode
SDVO_RED*	EXP_TXN_0
SDVO_RED	EXP_TXP_0
SDVO_GREEN*	EXP_TXN_1
SDVO_GREEN	EXP_TXP_1
SDVO_BLUE*	EXP_TXN_2
SDVO_BLUE	EXP_TXP_2
SDVO_CLK*	EXP_TXN_3
SDVO_CLK	EXP_TXP_3
SDVOC_RED*	EXP_TXN_4
SDVOC_RED	EXP_TXP_4
SDVOC_ALPHA*	EXP_TXN_5
SDVOC_ALPHA	EXP_TXP_5
SDVOC_GREEN*	EXP_TXN_6
SDVOC_GREEN	EXP_TXP_6
SDVOC_BLUE*	EXP_TXN_7
SDVOC_BLUE	EXP_TXP_7
SDVOC_CLK*	EXP_TXN_8
SDVOC_CLK	EXP_TXP_8
SDVO_TVCLKIN*	EXP_RXN_0
SDVO_TVCLKIN	EXP_RXP_0
SDVOC_INT*	EXP_RXN_1
SDVOC_INT	EXP_RXP_1
SDVO_STALLB	EXP_RXN_2
SDVO_STALL	EXP_RXP_2
SDVOC_INTB	EXP_RXN_5
SDVOC_INT	EXP_RXP_5

DRAW	ZHANG, ELLEN	DATE	3/15/2007	TITLE		SAMSUNG ELECTRONICS PART NO. BA41-00774A/00732A
CHECK	ZHENG, ROKY	DEV. STEP	SR	SHANGHAI		
APPROVAL	LEE, KEVIN	REV	1.0	CALISTOGA (3/5)		
MODULE CODE		LAST EDIT				
				March 15, 2007 10:33:33 AM	PAGE 15 OF 54	

SAMSUNG PROPRIETARY

THIS DOCUMENT CONTAINS CONFIDENTIAL PROPRIETARY INFORMATION THAT IS SAMSUNG ELECTRONICS CO.'S PROPERTY. DO NOT DISCLOSE TO OR DUPLICATE FOR OTHERS EXCEPT AS AUTHORIZED BY SAMSUNG.

P1.5V

VCCP_CORE

VCCP_CORE

VCCP_CORE

VCCP_CORE

AA18	VCCAUX_NCTIF_1	AA18	VCCAUX_NCTIF_1
AA19	VCCAUX_NCTIF_2	AA19	VCCAUX_NCTIF_2
AA20	VCCAUX_NCTIF_3	AA20	VCCAUX_NCTIF_3
AA21	VCCAUX_NCTIF_4	AA21	VCCAUX_NCTIF_4
AA22	VCCAUX_NCTIF_5	AA22	VCCAUX_NCTIF_5
AA23	VCCAUX_NCTIF_6	AA23	VCCAUX_NCTIF_6
AA24	VCCAUX_NCTIF_7	AA24	VCCAUX_NCTIF_7
AA25	VCCAUX_NCTIF_8	AA25	VCCAUX_NCTIF_8
AA26	VCCAUX_NCTIF_9	AA26	VCCAUX_NCTIF_9
AA27	VCCAUX_NCTIF_10	AA27	VCCAUX_NCTIF_10
AA28	VCCAUX_NCTIF_11	AA28	VCCAUX_NCTIF_11
AA29	VCCAUX_NCTIF_12	AA29	VCCAUX_NCTIF_12
AA30	VCCAUX_NCTIF_13	AA30	VCCAUX_NCTIF_13
AA31	VCCAUX_NCTIF_14	AA31	VCCAUX_NCTIF_14
AA32	VCCAUX_NCTIF_15	AA32	VCCAUX_NCTIF_15
AA33	VCCAUX_NCTIF_16	AA33	VCCAUX_NCTIF_16
AA34	VCCAUX_NCTIF_17	AA34	VCCAUX_NCTIF_17
AA35	VCCAUX_NCTIF_18	AA35	VCCAUX_NCTIF_18
AA36	VCCAUX_NCTIF_19	AA36	VCCAUX_NCTIF_19
AA37	VCCAUX_NCTIF_20	AA37	VCCAUX_NCTIF_20
AA38	VCCAUX_NCTIF_21	AA38	VCCAUX_NCTIF_21
AA39	VCCAUX_NCTIF_22	AA39	VCCAUX_NCTIF_22
AA40	VCCAUX_NCTIF_23	AA40	VCCAUX_NCTIF_23
AA41	VCCAUX_NCTIF_24	AA41	VCCAUX_NCTIF_24
AA42	VCCAUX_NCTIF_25	AA42	VCCAUX_NCTIF_25
AA43	VCCAUX_NCTIF_26	AA43	VCCAUX_NCTIF_26
AA44	VCCAUX_NCTIF_27	AA44	VCCAUX_NCTIF_27
AA45	VCCAUX_NCTIF_28	AA45	VCCAUX_NCTIF_28
AA46	VCCAUX_NCTIF_29	AA46	VCCAUX_NCTIF_29
AA47	VCCAUX_NCTIF_30	AA47	VCCAUX_NCTIF_30
AA48	VCCAUX_NCTIF_31	AA48	VCCAUX_NCTIF_31
AA49	VCCAUX_NCTIF_32	AA49	VCCAUX_NCTIF_32
AA50	VCCAUX_NCTIF_33	AA50	VCCAUX_NCTIF_33
AA51	VCCAUX_NCTIF_34	AA51	VCCAUX_NCTIF_34
AA52	VCCAUX_NCTIF_35	AA52	VCCAUX_NCTIF_35
AA53	VCCAUX_NCTIF_36	AA53	VCCAUX_NCTIF_36
AA54	VCCAUX_NCTIF_37	AA54	VCCAUX_NCTIF_37
AA55	VCCAUX_NCTIF_38	AA55	VCCAUX_NCTIF_38
AA56	VCCAUX_NCTIF_39	AA56	VCCAUX_NCTIF_39
AA57	VCCAUX_NCTIF_40	AA57	VCCAUX_NCTIF_40
AA58	VCCAUX_NCTIF_41	AA58	VCCAUX_NCTIF_41
AA59	VCCAUX_NCTIF_42	AA59	VCCAUX_NCTIF_42
AA60	VCCAUX_NCTIF_43	AA60	VCCAUX_NCTIF_43
AA61	VCCAUX_NCTIF_44	AA61	VCCAUX_NCTIF_44
AA62	VCCAUX_NCTIF_45	AA62	VCCAUX_NCTIF_45
AA63	VCCAUX_NCTIF_46	AA63	VCCAUX_NCTIF_46
AA64	VCCAUX_NCTIF_47	AA64	VCCAUX_NCTIF_47
AA65	VCCAUX_NCTIF_48	AA65	VCCAUX_NCTIF_48
AA66	VCCAUX_NCTIF_49	AA66	VCCAUX_NCTIF_49
AA67	VCCAUX_NCTIF_50	AA67	VCCAUX_NCTIF_50
AA68	VCCAUX_NCTIF_51	AA68	VCCAUX_NCTIF_51
AA69	VCCAUX_NCTIF_52	AA69	VCCAUX_NCTIF_52
AA70	VCCAUX_NCTIF_53	AA70	VCCAUX_NCTIF_53
AA71	VCCAUX_NCTIF_54	AA71	VCCAUX_NCTIF_54
AA72	VCCAUX_NCTIF_55	AA72	VCCAUX_NCTIF_55
AA73	VCCAUX_NCTIF_56	AA73	VCCAUX_NCTIF_56
AA74	VCCAUX_NCTIF_57	AA74	VCCAUX_NCTIF_57
AA75	VCCAUX_NCTIF_58	AA75	VCCAUX_NCTIF_58
AA76	VCCAUX_NCTIF_59	AA76	VCCAUX_NCTIF_59
AA77	VCCAUX_NCTIF_60	AA77	VCCAUX_NCTIF_60

P1.5V

VCCP_CORE

VCCP_CORE

VCCP_CORE

VCCP_CORE

AA19	VCC_1	VCC_56	N21
AA20	VCC_2	VCC_57	N22
AA21	VCC_3	VCC_58	N23
AA22	VCC_4	VCC_59	N24
AA23	VCC_5	VCC_60	N25
AA24	VCC_6	VCC_61	N26
AA25	VCC_7	VCC_62	N27
AA26	VCC_8	VCC_63	N28
AA27	VCC_9	VCC_64	N29
AA28	VCC_10	VCC_65	N30
AA29	VCC_11	VCC_66	N31
AA30	VCC_12	VCC_67	N32
AA31	VCC_13	VCC_68	N33
AA32	VCC_14	VCC_69	N34
AA33	VCC_15	VCC_70	N35
AA34	VCC_16	VCC_71	N36
AA35	VCC_17	VCC_72	N37
AA36	VCC_18	VCC_73	N38
AA37	VCC_19	VCC_74	N39
AA38	VCC_20	VCC_75	N40
AA39	VCC_21	VCC_76	N41
AA40	VCC_22	VCC_77	N42
AA41	VCC_23	VCC_78	N43
AA42	VCC_24	VCC_79	N44
AA43	VCC_25	VCC_80	N45
AA44	VCC_26	VCC_81	N46
AA45	VCC_27	VCC_82	N47
AA46	VCC_28	VCC_83	N48
AA47	VCC_29	VCC_84	N49
AA48	VCC_30	VCC_85	N50
AA49	VCC_31	VCC_86	N51
AA50	VCC_32	VCC_87	N52
AA51	VCC_33	VCC_88	N53
AA52	VCC_34	VCC_89	N54
AA53	VCC_35	VCC_90	N55
AA54	VCC_36	VCC_91	N56
AA55	VCC_37	VCC_92	N57
AA56	VCC_38	VCC_93	N58
AA57	VCC_39	VCC_94	N59
AA58	VCC_40	VCC_95	N60
AA59	VCC_41	VCC_96	N61
AA60	VCC_42	VCC_97	N62
AA61	VCC_43	VCC_98	N63
AA62	VCC_44	VCC_99	N64
AA63	VCC_45	VCC_100	N65
AA64	VCC_46	VCC_101	N66
AA65	VCC_47	VCC_102	N67
AA66	VCC_48	VCC_103	N68
AA67	VCC_49	VCC_104	N69
AA68	VCC_50	VCC_105	N70
AA69	VCC_51	VCC_106	N71
AA70	VCC_52	VCC_107	N72
AA71	VCC_53	VCC_108	N73
AA72	VCC_54	VCC_109	N74
AA73	VCC_55	VCC_110	N75
AA74	VCC_56	VCC_111	N76

U502-4
945PM
4 / 5

P1.5V

VCCP_CORE

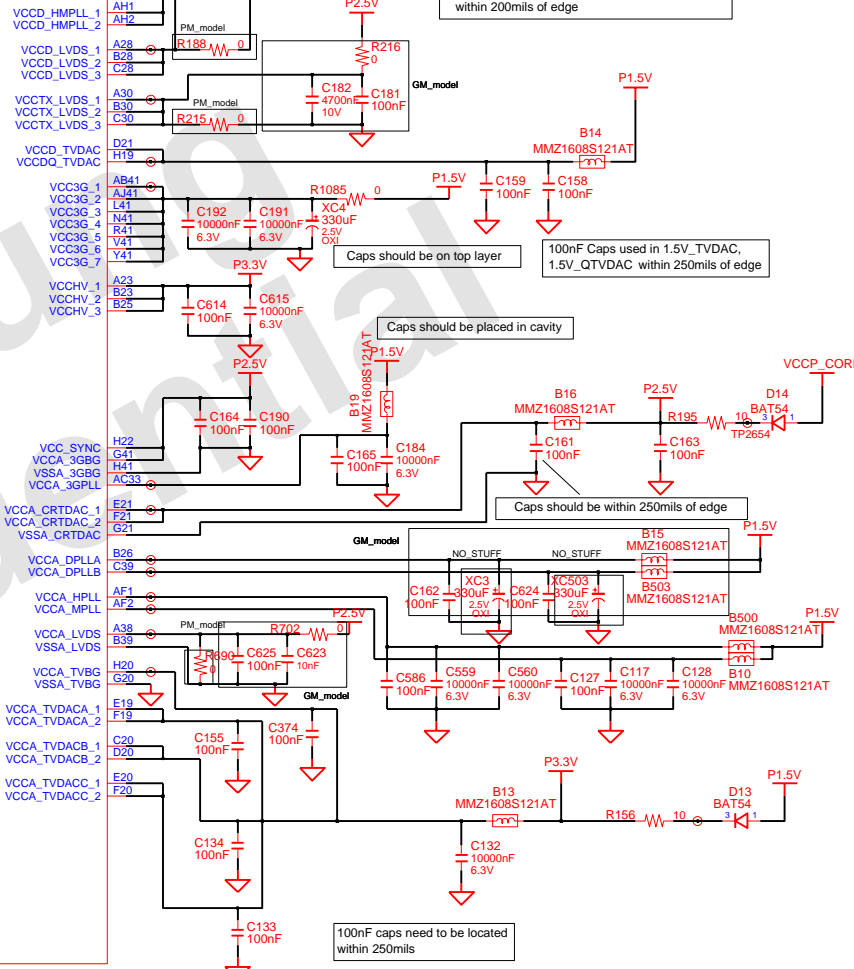
VCCP_CORE

P1.5V

VCCP_CORE

VCCP_CORE

AC29	VCCAUX_1	AC29	VCCAUX_1
AC30	VCCAUX_2	AC30	VCCAUX_2
AC31	VCCAUX_3	AC31	VCCAUX_3
AC32	VCCAUX_4	AC32	VCCAUX_4
AC33	VCCAUX_5	AC33	VCCAUX_5
AC34	VCCAUX_6	AC34	VCCAUX_6
AC35	VCCAUX_7	AC35	VCCAUX_7
AC36	VCCAUX_8	AC36	VCCAUX_8
AC37	VCCAUX_9	AC37	VCCAUX_9
AC38	VCCAUX_10	AC38	VCCAUX_10
AC39	VCCAUX_11	AC39	VCCAUX_11
AC40	VCCAUX_12	AC40	VCCAUX_12
AC41	VCCAUX_13	AC41	VCCAUX_13
AC42	VCCAUX_14	AC42	VCCAUX_14
AC43	VCCAUX_15	AC43	VCCAUX_15
AC44	VCCAUX_16	AC44	VCCAUX_16
AC45	VCCAUX_17	AC45	VCCAUX_17
AC46	VCCAUX_18	AC46	VCCAUX_18
AC47	VCCAUX_19	AC47	VCCAUX_19
AC48	VCCAUX_20	AC48	VCCAUX_20
AC49	VCCAUX_21	AC49	VCCAUX_21
AC50	VCCAUX_22	AC50	VCCAUX_22
AC51	VCCAUX_23	AC51	VCCAUX_23
AC52	VCCAUX_24	AC52	VCCAUX_24
AC53	VCCAUX_25	AC53	VCCAUX_25
AC54	VCCAUX_26	AC54	VCCAUX_26
AC55	VCCAUX_27	AC55	VCCAUX_27
AC56	VCCAUX_28	AC56	VCCAUX_28
AC57	VCCAUX_29	AC57	VCCAUX_29
AC58	VCCAUX_30	AC58	VCCAUX_30
AC59	VCCAUX_31	AC59	VCCAUX_31
AC60	VCCAUX_32	AC60	VCCAUX_32
AC61	VCCAUX_33	AC61	VCCAUX_33
AC62	VCCAUX_34	AC62	VCCAUX_34
AC63	VCCAUX_35	AC63	VCCAUX_35
AC64	VCCAUX_36	AC64	VCCAUX_36
AC65	VCCAUX_37	AC65	VCCAUX_37
AC66	VCCAUX_38	AC66	VCCAUX_38
AC67	VCCAUX_39	AC67	VCCAUX_39
AC68	VCCAUX_40	AC68	VCCAUX_40
AC69	VCCAUX_41	AC69	VCCAUX_41

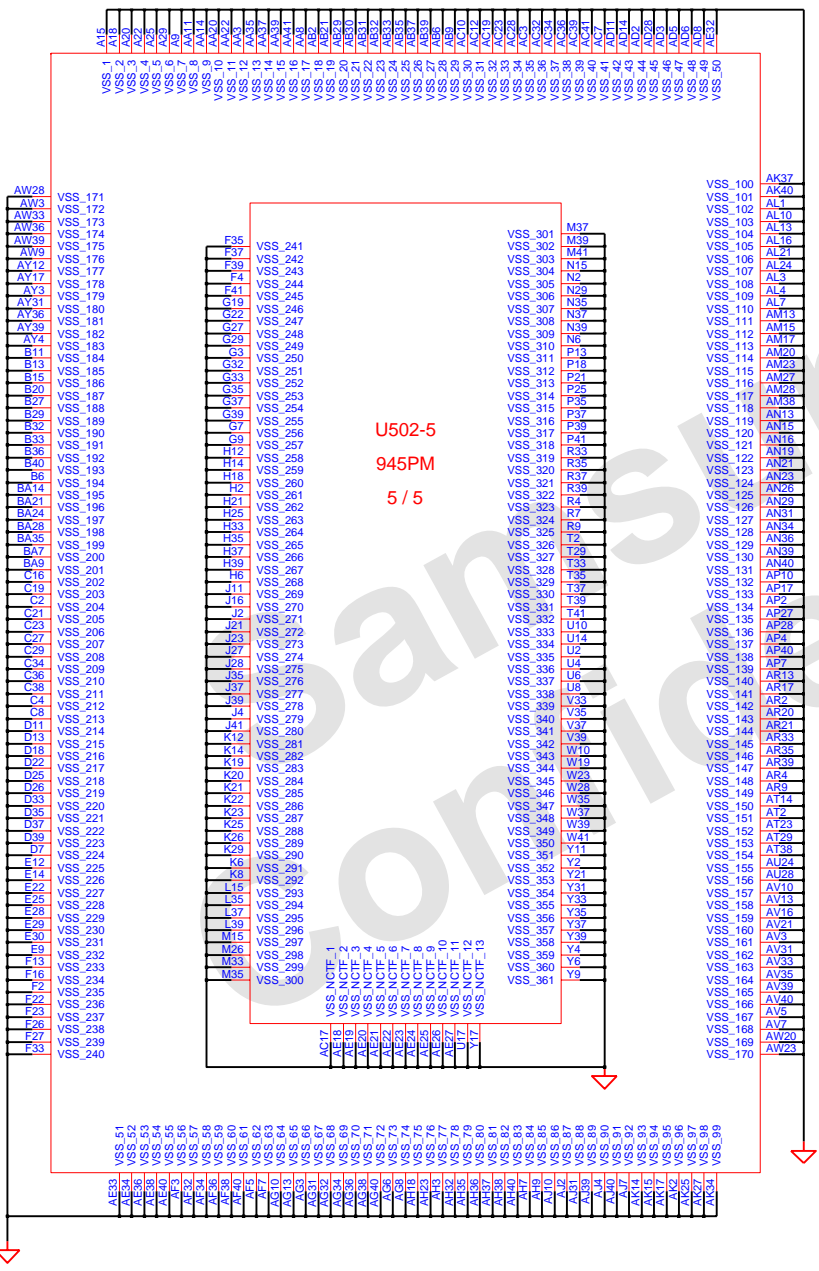


DRAW	ZHANG, ELLEN	DATE	3/15/2007	TITLE	
CHECK	ZHENG, ROKY	DEV. STEP	SR	SHANGHAI	
APPROVAL	LEE, KEVIN	REV	1.0	CALISTOGA (4/5)	
MODULE CODE		LAST EDIT			
				March 15, 2007 10:33:33 AM	PAGE 16 OF 54

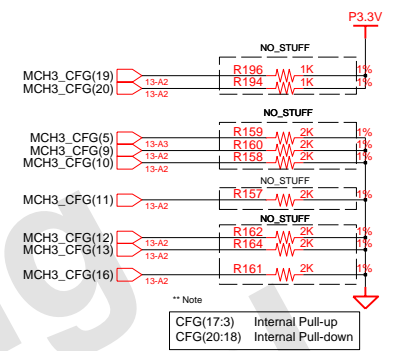
SAMSUNG
ELECTRONICS
PART NO.
BA41-00774A/00732A

SAMSUNG PROPRIETARY

THIS DOCUMENT CONTAINS CONFIDENTIAL PROPRIETARY INFORMATION THAT IS SAMSUNG ELECTRONICS CO.'S PROPERTY. DO NOT DISCLOSE TO OR DUPLICATE FOR OTHERS EXCEPT AS AUTHORIZED BY SAMSUNG.



U502-5
945PM
5/5



** Note
CFG(17:3) Internal Pull-up
CFG(20:18) Internal Pull-down

** Note *POCAFEB-10 Only (Remove in MP Model)

CFG#	Current Setting (def.: default Option)	
	Low	High
CFG(5)	DMIX2	DMIX4 (def.)
CFG(6)	Reserved	DDR-II (def.)
CFG(7)	DT/Transportable	Mobile CPU (def.)
CFG(9)	PEG Reversal	Normal
CFG(16)	Dynamic ODT	Enabled ODT (def.)
CFG(18)	VCC 1.05V (def.)	VCC 1.5V
CFG(19)	DMI Lane Normal	DMI Lane Reversal
CFG(20)	SDVO or PCIE X1 Only(def.)	SDVO and PCIE X1 Simultaneously

When CFG 13:12 are pulled down to '00', certain clocks within Calistoga will become free-running clocks.

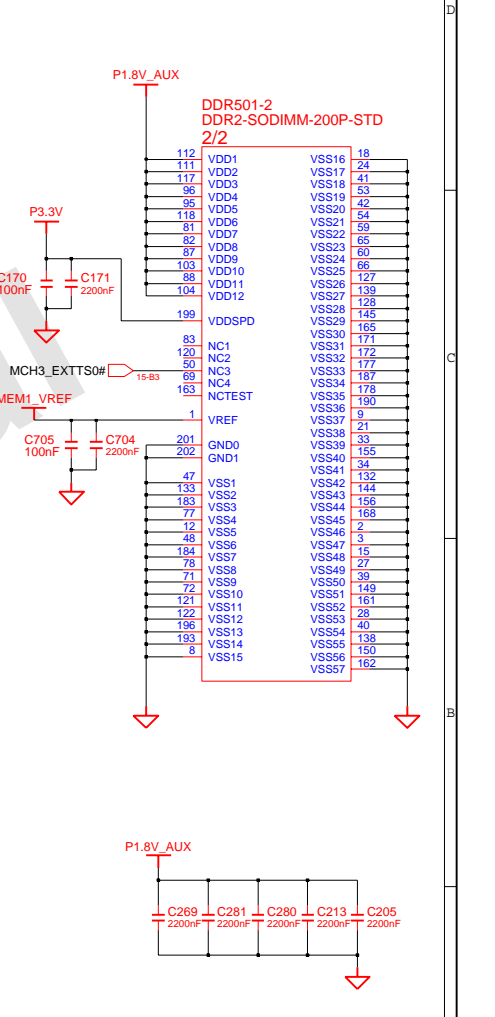
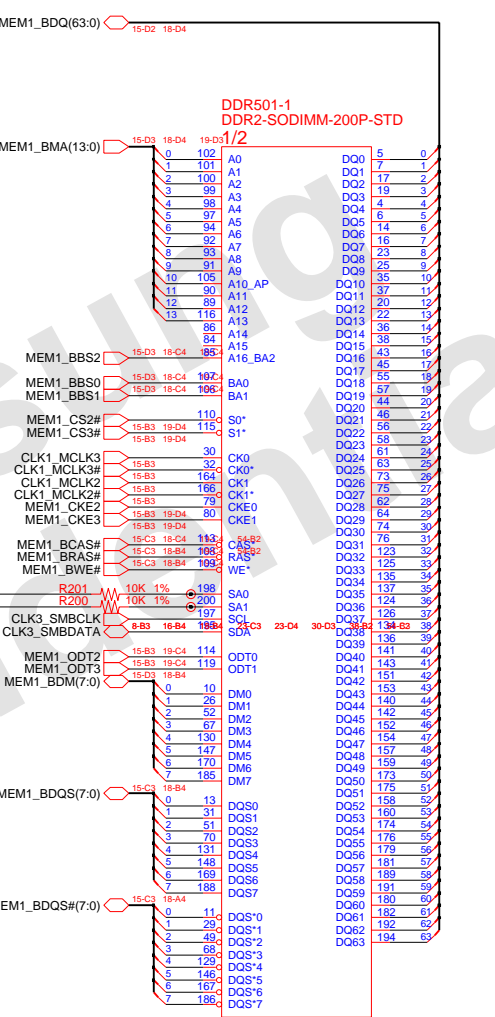
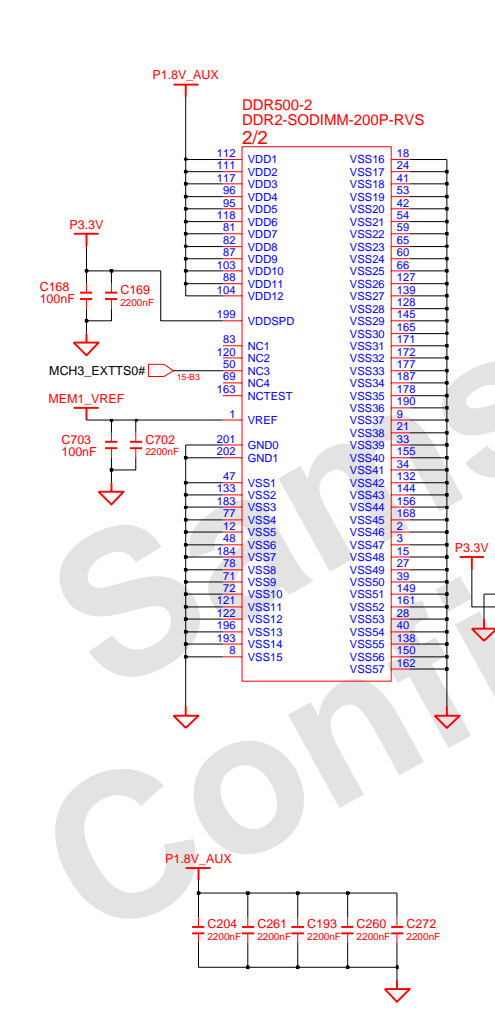
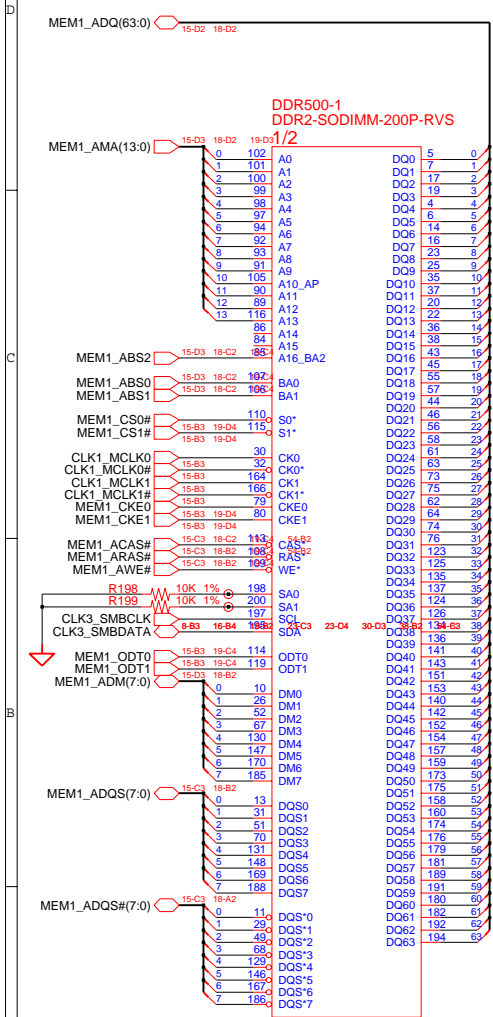
This will lead to a rise in avg. power, but eliminates any possible clock-timing marginalities involved in clock power-up/power-down.

Intel strongly recommends leaving CFG 13:12 = NC (Internal PU to '11) to ensure low avg.power.

DRAW	ELLEN,ZHANG	DATE	03/15/2007	TITLE	SHANGHAI CALISTOGA(5/5)	SAMSUNG ELECTRONICS	
CHECK	ROKY,ZHENG	DEV. STEP	SR				
APPROVAL	KEVIN,LEE	REV	1. 0				
MODULE CODE		LAST EDIT	MARCH,15,2007 10:24:38AM				
						PART NO.	BA41-00774A/00732A
						PAGE	17 OF 54

SAMSUNG PROPRIETARY

THIS DOCUMENT CONTAINS CONFIDENTIAL PROPRIETARY INFORMATION THAT IS SAMSUNG ELECTRONICS CO.'S PROPERTY. DO NOT DISCLOSE TO OR DUPLICATE FOR OTHERS EXCEPT AS AUTHORIZED BY SAMSUNG.

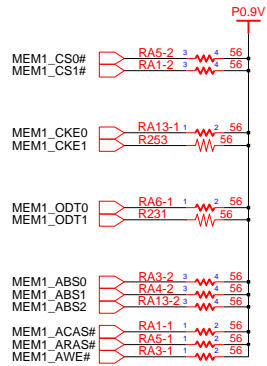


DRAW	ZHANG, ELLEN	DATE	3/15/2007	TITLE	SHANGHAI MEMORY SODIMM	SAMSUNG ELECTRONICS
CHECK	ZHENG, ROKY	DEV. STEP	SR	APPROVAL	LEE, KEVIN	
MODULE CODE		LAST EDIT		March 15, 2007 10:33:33 AM	PAGE	18 OF 54

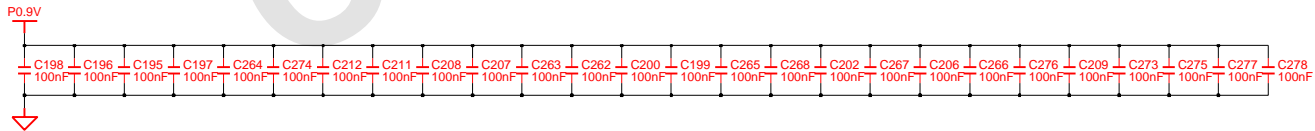
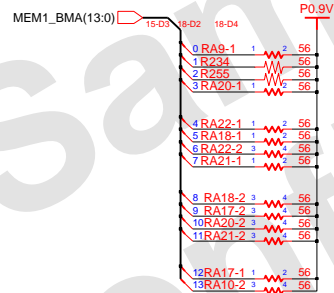
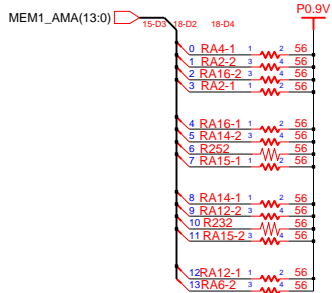
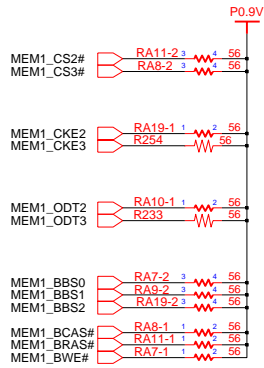
SAMSUNG PROPRIETARY

THIS DOCUMENT CONTAINS CONFIDENTIAL PROPRIETARY INFORMATION THAT IS SAMSUNG ELECTRONICS CO.'S PROPERTY. DO NOT DISCLOSE TO OR DUPLICATE FOR OTHERS EXCEPT AS AUTHORIZED BY SAMSUNG.

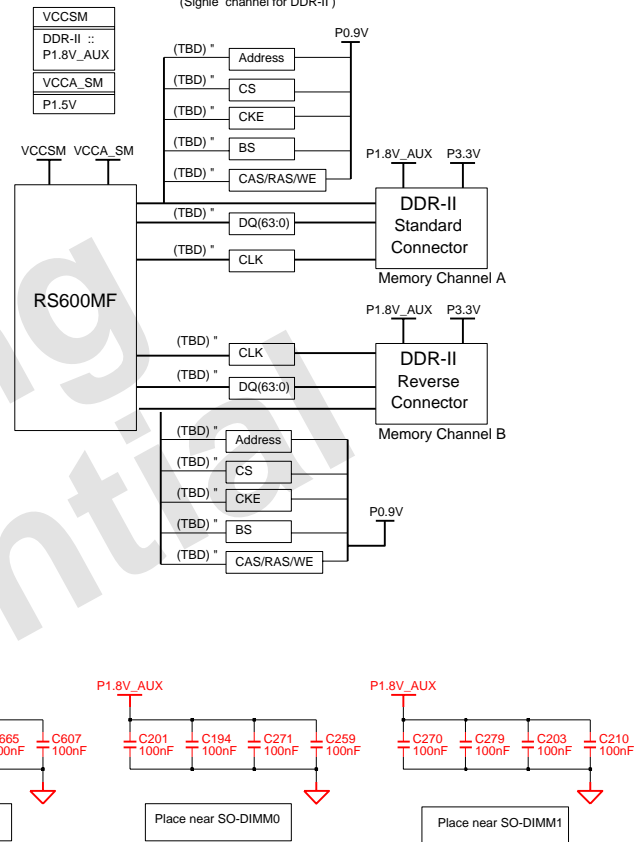
Channel 1



Channel 2

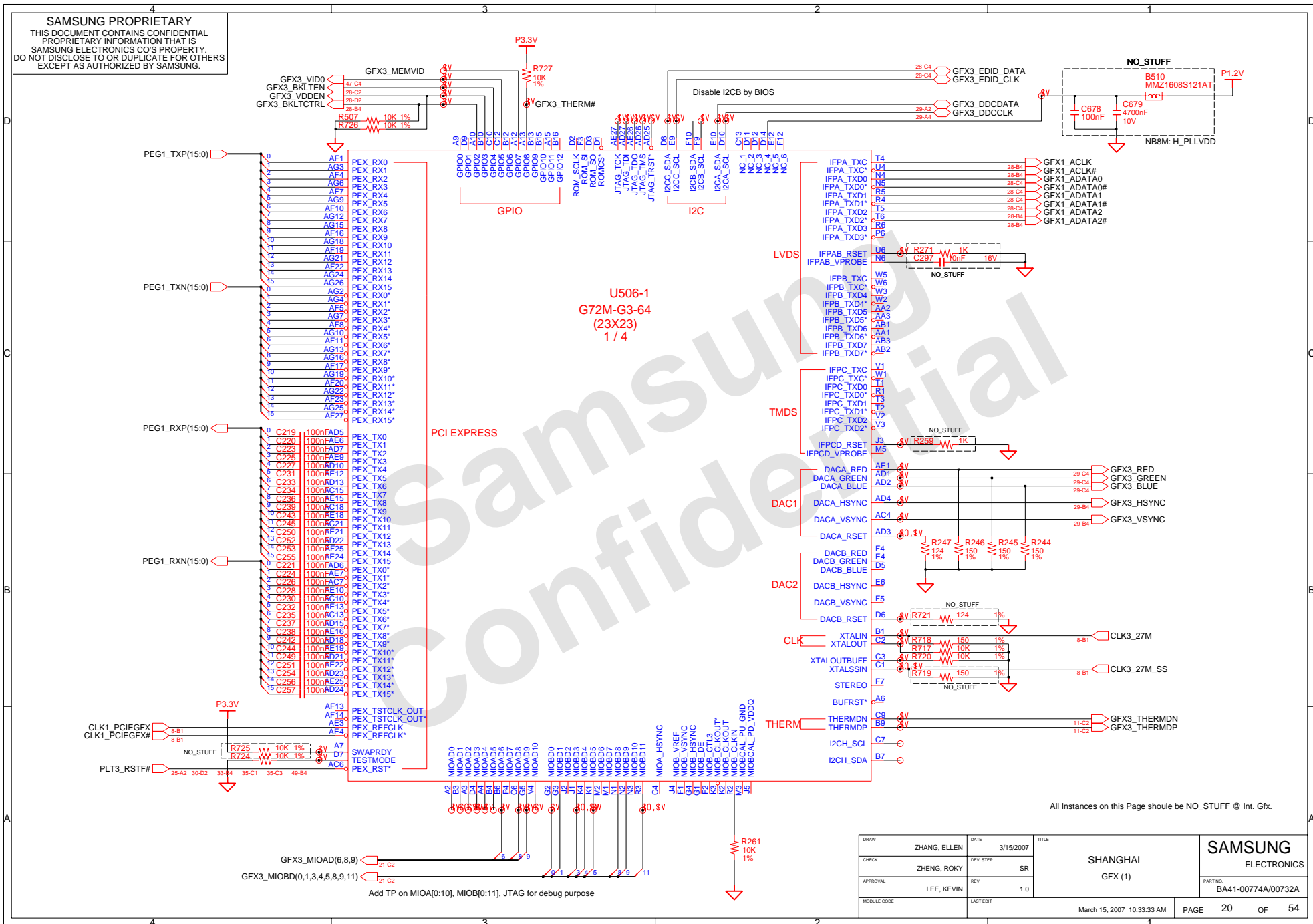


Memory Topology



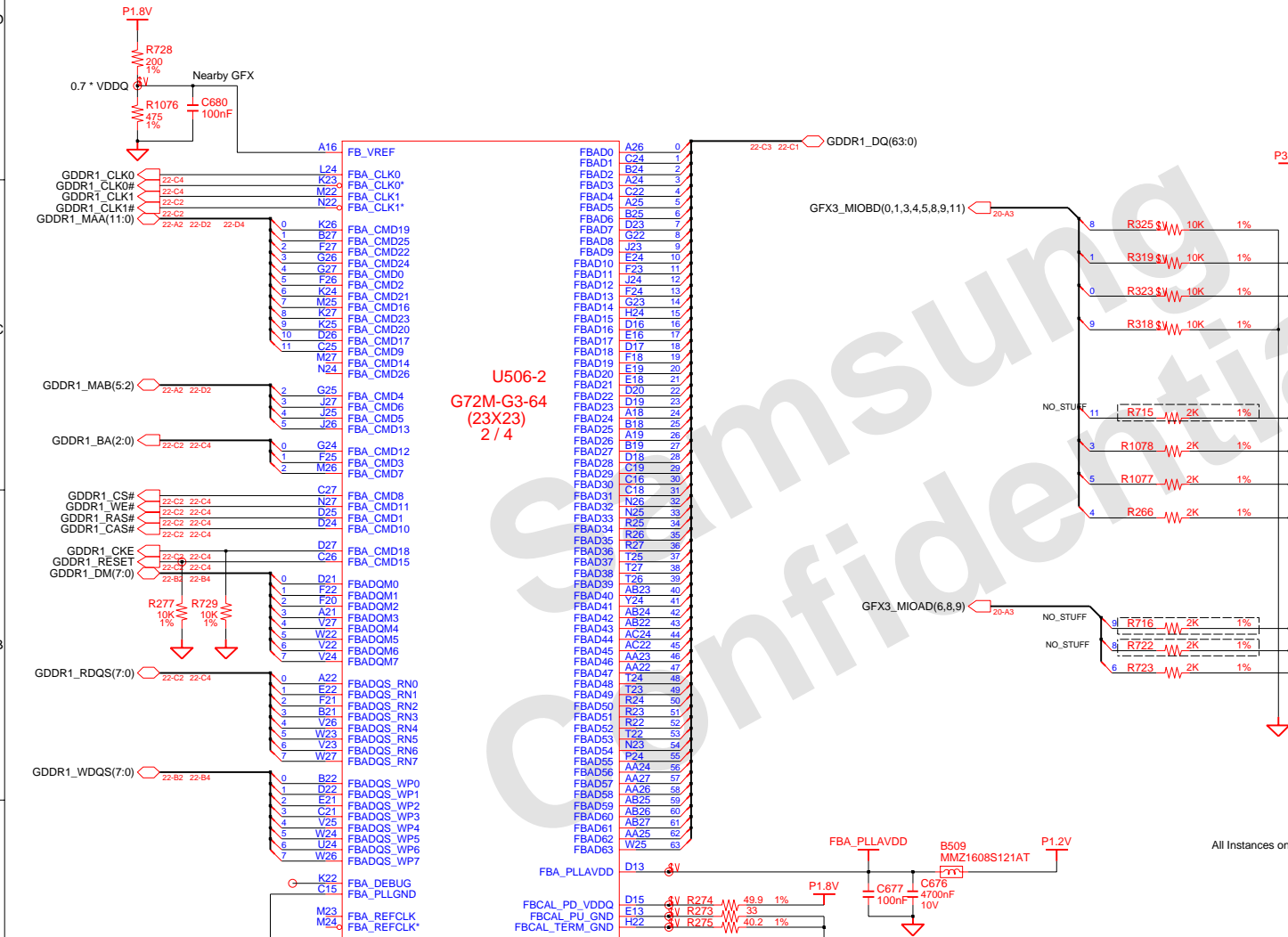
DRAW	ZHANG, ELLEN	DATE	3/15/2007	TITLE	SHANGHAI DDR2 TERMINATION	SAMSUNG ELECTRONICS PART NO. BA41-00774A/00732A
CHECK	ZHENG, ROKY	DEV. STEP	SR			
APPROVAL	LEE, KEVIN	REV	1.0			
MODULE CODE		LAST EDIT				
March 15, 2007 10:33:33 AM				PAGE		

SAMSUNG PROPRIETARY
 THIS DOCUMENT CONTAINS CONFIDENTIAL
 PROPRIETARY INFORMATION THAT IS
 SAMSUNG ELECTRONICS CO'S PROPERTY.
 DO NOT DISCLOSE TO OR DUPLICATE FOR OTHERS
 EXCEPT AS AUTHORIZED BY SAMSUNG.



DRAW	ZHANG, ELLEN	DATE	3/15/2007	TITLE	SHANGHAI		SAMSUNG ELECTRONICS
CHECK	ZHENG, ROKY	DEV STEP	SR	GFX (1)		PART NO. BA41-00774A/00732A	
APPROVAL	LEE, KEVIN	REV	1.0			March 15, 2007 10:33:33 AM	PAGE 20 OF 54
MODULE CODE		LAST ENT					

SAMSUNG PROPRIETARY
 THIS DOCUMENT CONTAINS CONFIDENTIAL
 PROPRIETARY INFORMATION THAT IS
 SAMSUNG ELECTRONICS CO'S PROPERTY.
 DO NOT DISCLOSE TO OR DUPLICATE FOR OTHERS
 EXCEPT AS AUTHORIZED BY SAMSUNG.



**U506-2
 G72M-G3-64
 (23X23)
 2 / 4**

STRAPS

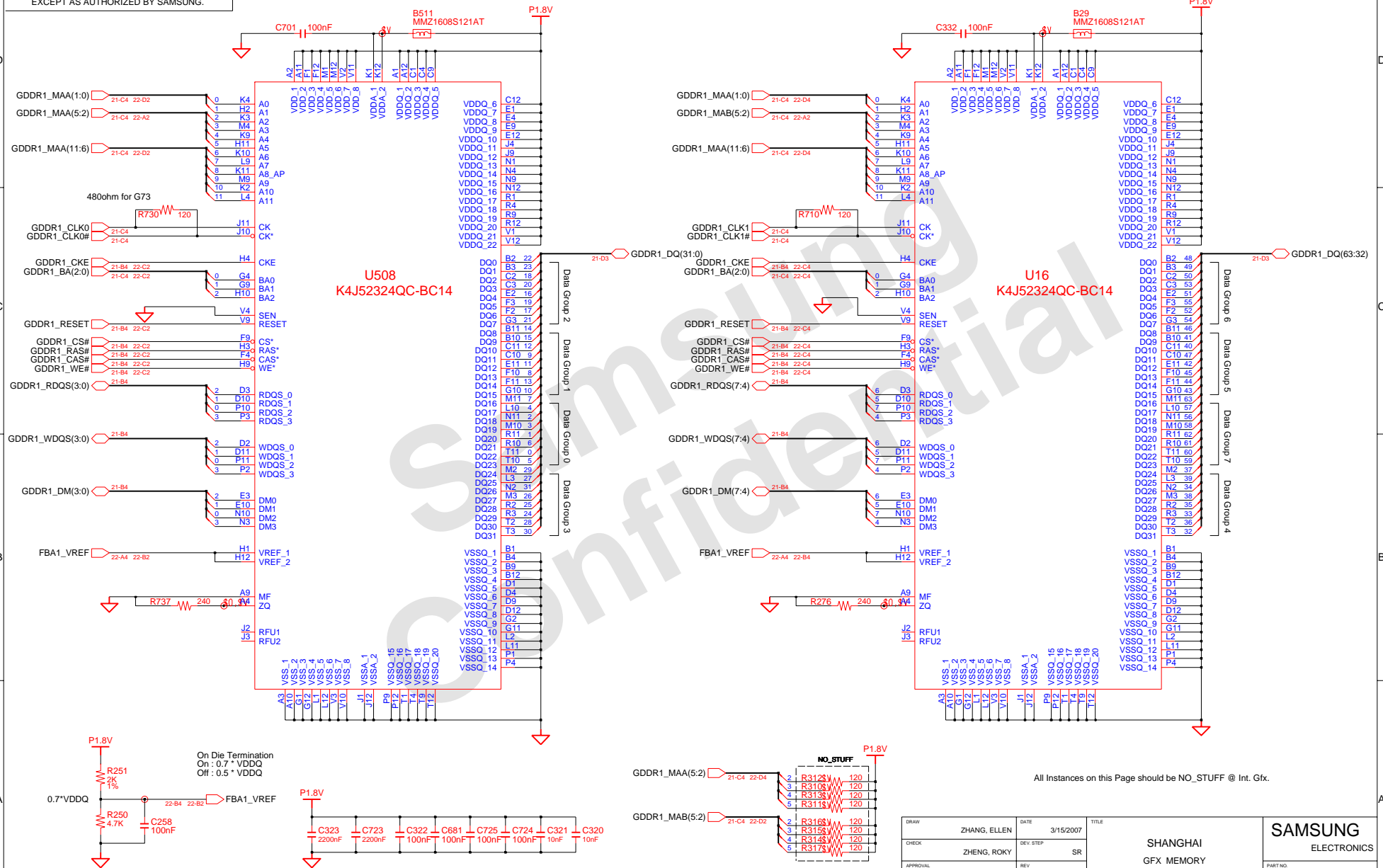
SUB_VENDOR		MIOAD[1]
0	No Video BIOS ROM	
1	Video BIOS ROM is present (DEF.) (For merged BIOS)	
RAM_CFG[2:0]		MIOBD[8, 1, 0]
000	8M x 32 DDR, Monolithic, 2.5V I/O	
001	8M x 32 DDR, Monolithic, 1.8V I/O	
010	8M x 32 DDR, 1.8V I/O Analog DLL (SEC K4D5532G0F-GC)	
011	16M x 32 DDR, 1.8V I/O, Hynix Stacked Die (2 x 8M x32)	
100	4M x 32 DDR, 1.8V I/O	
101	Reserved	
110	4M x 32 DDR, 2.5V I/O	
111	Reserved	
RAM_CFG[3]		MIOBD[9]
0	Full Width	
1	Half Width	
CRYSTAL[1:0]		MIOBD[6, 2]
00	13.5MHz	
01	14.318MHz	
10	27.0MHz (DEF.)	
11	Reserved	
TMVODE[1:0]		MIOAD[10, 7]
000	SECAM	
001	NTSC (DEF.)	
010	PAL	
011	VGA	
PCI_DEVID[3:0]		MIOBD[11, 3, 5, 4]
G72M	0x01D8	
G72MIV	0x01D7	
G73M	0x0398	
3GIO_PADCFG[2:0]		MIOAD[9, 8, 6]
000	Desktop (DEF.)	
001	Mobile1 (G72M)	
010	Mobile2 (G7x or NV42)	
011	Mobile3	
PEX_PLL_EN_TERM		MIOAD[0]
0	Enabled (DEF.)	
1	Disabled	

All Instances on this Page should be NO_STUFF @ Int. Gfx.

NB8M-SE: FBCAL_PU_GND pull down resistor 40.2 ohm (2007-008708)

DRAW	ZHANG, ELLEN	DATE	3/15/2007	TITLE	SHANGHAI GFX (2)	SAMSUNG ELECTRONICS
CHECK	ZHENG, ROKY	DEV_STEP	SR			
APPROVAL	LEE, KEVIN	REV	1.0			
MODULE CODE		LAST ENT				
March 15, 2007 10:33:33 AM					PAGE	21 OF 54

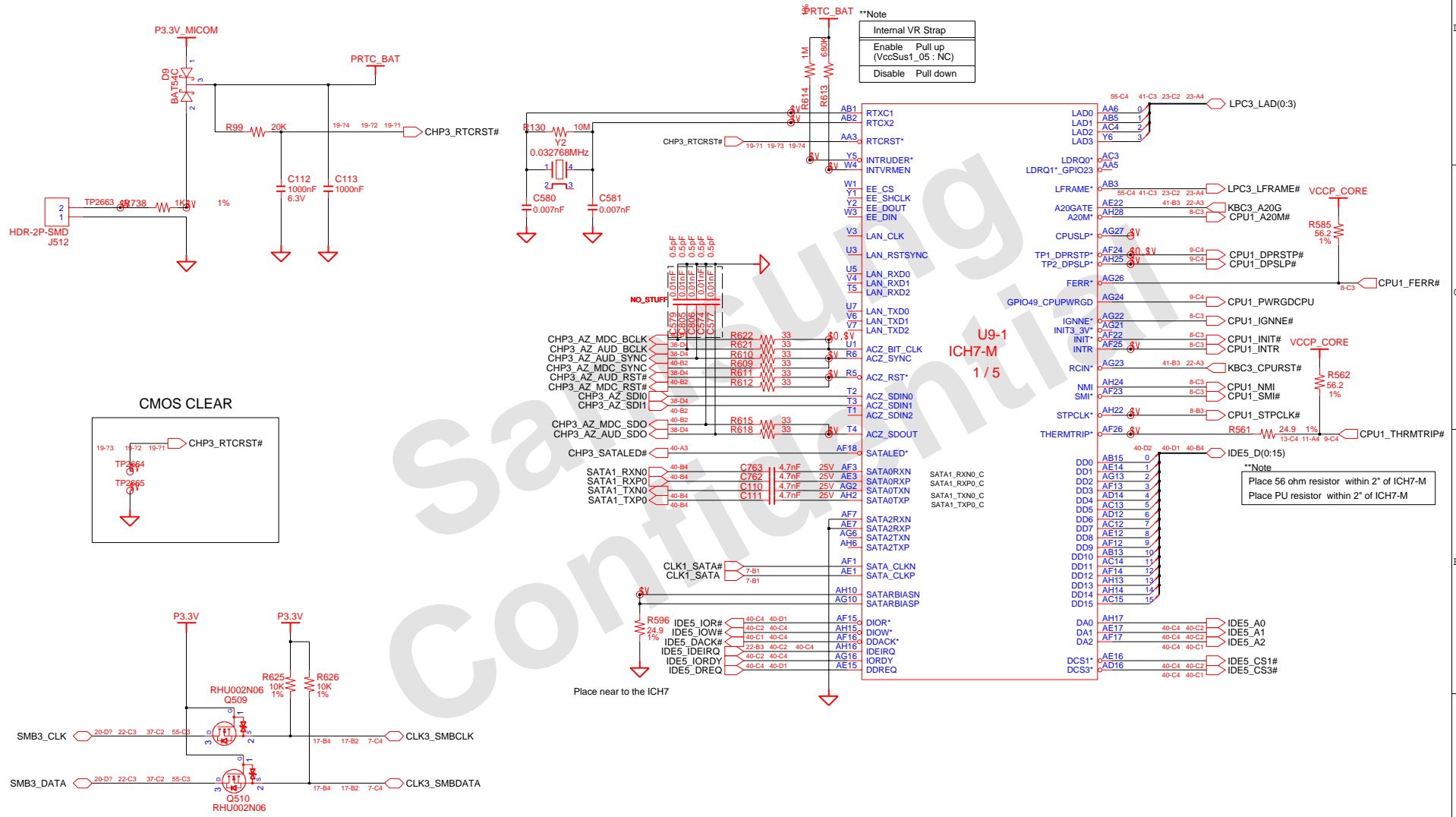
SAMSUNG PROPRIETARY
 THIS DOCUMENT CONTAINS CONFIDENTIAL
 PROPRIETARY INFORMATION THAT IS
 SAMSUNG ELECTRONICS CO'S PROPERTY.
 DO NOT DISCLOSE TO OR DUPLICATE FOR OTHERS
 EXCEPT AS AUTHORIZED BY SAMSUNG.



DRAW	ZHANG, ELLEN	DATE	3/15/2007	TITLE	SHANGHAI GFX MEMORY	SAMSUNG ELECTRONICS PART NO. BA41-00774A/00732A
CHECK	ZHENG, ROKY	DEV STEP	SR			
APPROVAL	LEE, KEVIN	REV	1.0			
MODULE CODE		LAST EDIT				
March 15, 2007 10:33:33 AM						PAGE 23 OF 52

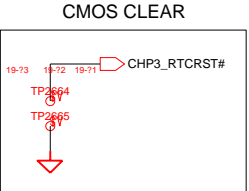
SAMSUNG PROPRIETARY

THIS DOCUMENT CONTAINS CONFIDENTIAL PROPRIETARY INFORMATION THAT IS SAMSUNG ELECTRONICS CO.'S PROPERTY. DO NOT DISCLOSE TO OR DUPLICATE FOR OTHERS EXCEPT AS AUTHORIZED BY SAMSUNG.



****Note**

Internal VR Strap	
Enable	Pull up
	(VccSus1_05 : NC)
Disable	Pull down



****Note**
Place 56 ohm resistor within 2" of ICH7-M
Place PU resistor within 2" of ICH7-M

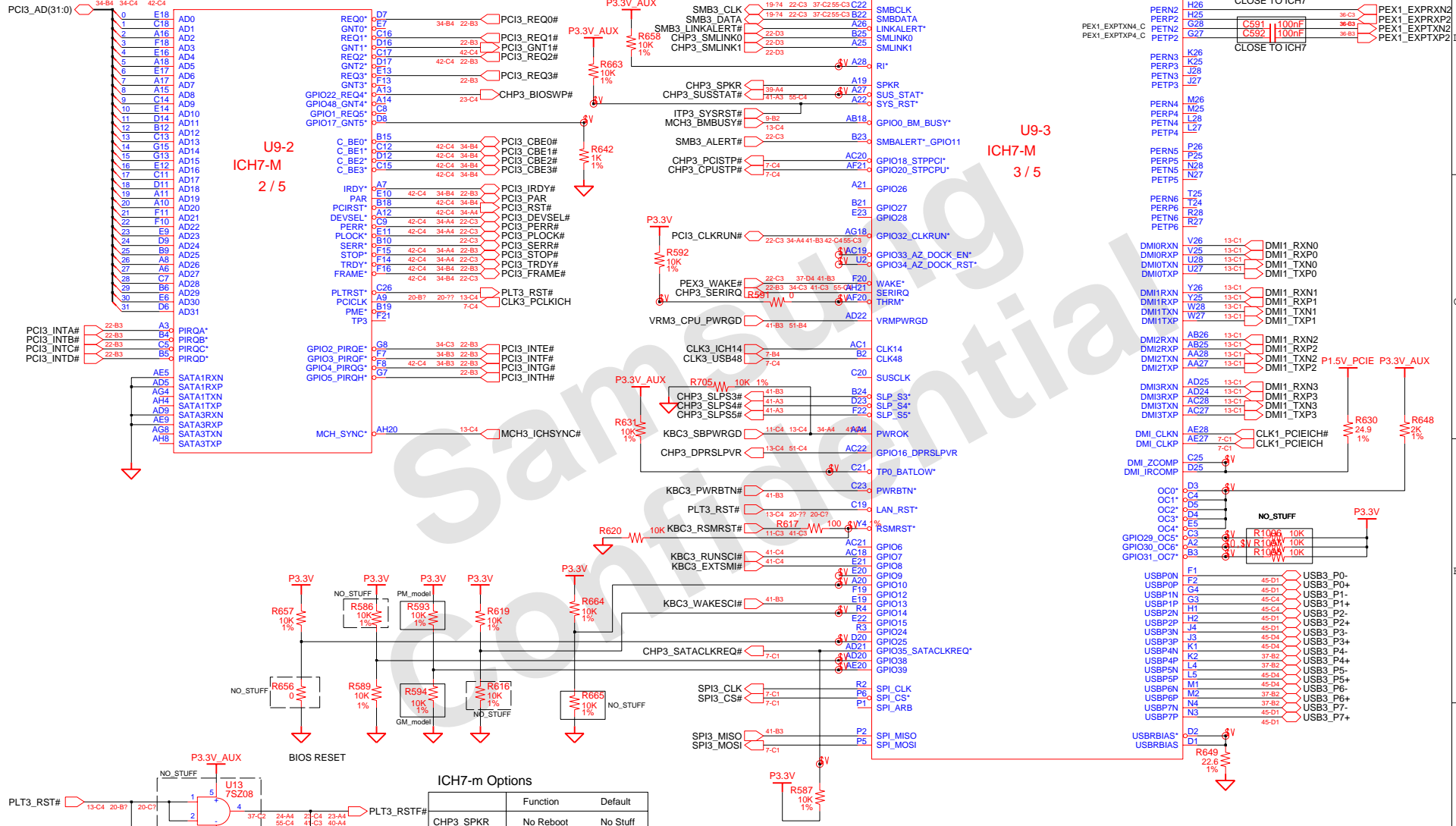
DRAW	ZHANG, ELLEN	DATE	3/15/2007	TITLE	
CHECK	ZHENG, ROKY	DEV. STEP	SR	SHANGHAI	
APPROVAL	LEE, KEVIN	REV	1.0	ICH7(1/4)	
MODULE CODE	undefined	LAST EDIT	March 15, 2007 10:33:33 AM	PAGE	24 OF 54

SAMSUNG ELECTRONICS
PART NO. BA41-00774A/00732A

SAMSUNG PROPRIETARY

THIS DOCUMENT CONTAINS CONFIDENTIAL PROPRIETARY INFORMATION THAT IS SAMSUNG ELECTRONICS CO.'S PROPERTY. DO NOT DISCLOSE TO OR DUPLICATE FOR OTHERS EXCEPT AS AUTHORIZED BY SAMSUNG.

CHIP3_SATADET0*



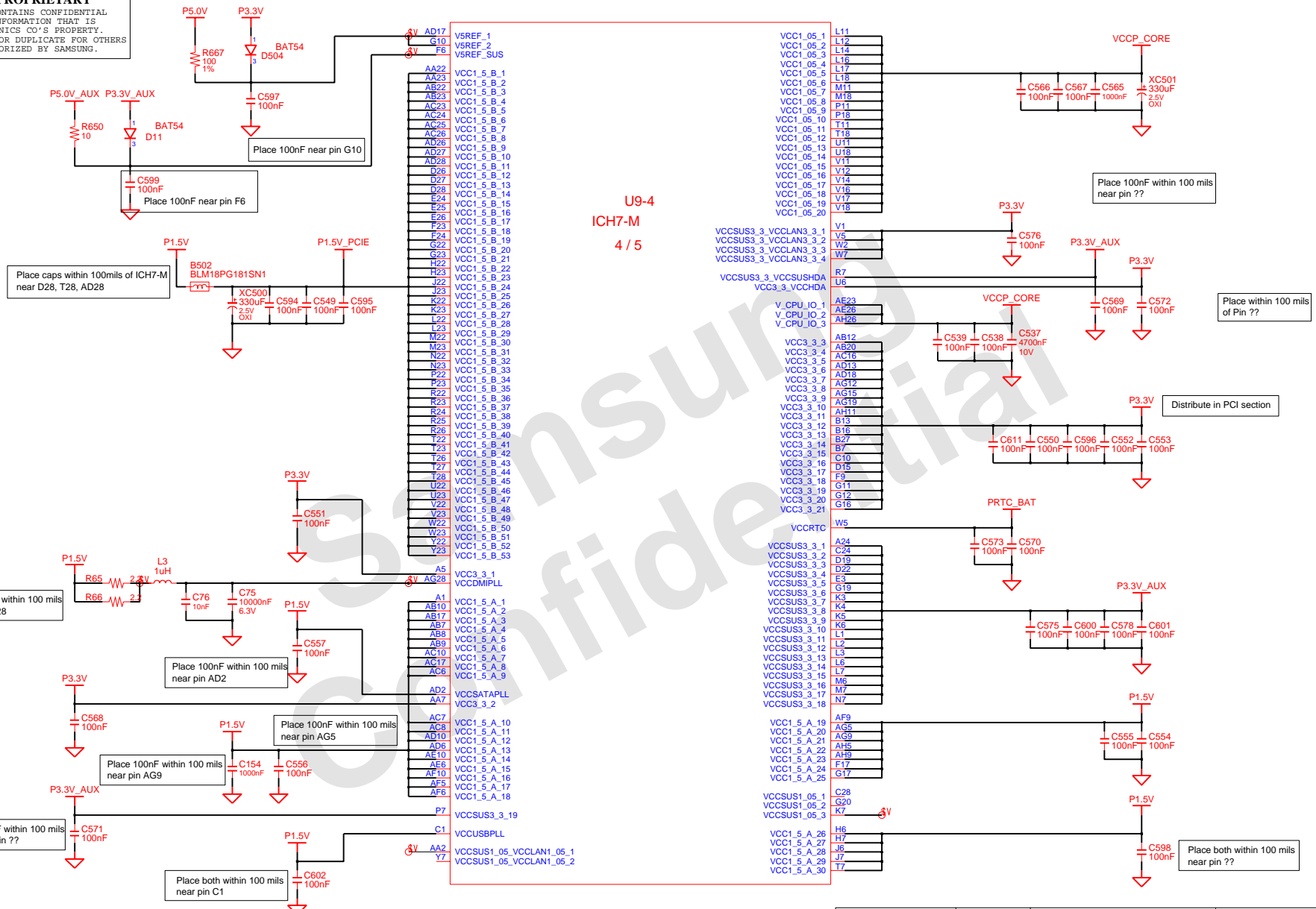
ICH7-m Options

Option	Function	Default
CHIP3_SPKR	No Reboot	No Stuff
CHIP3_GNT3	A16 swap override	No Stuff
AC97_SDOUT	Safe Mode	TBD
CHIP3_GNT(5:4)	Boot BIOS Option	

DRAW	ZHANG, ELLEN	DATE	3/15/2007	TITLE	
CHECK	ZHENG, ROKY	DEV. STEP	SR	SHANGHAI	SAMSUNG ELECTRONICS
APPROVAL	LEE, KEVIN	REV	1.0	ICH7(2/4)	
MODULE CODE	undefined	LAST EDIT	March 15, 2007 10:33:33 AM	PAGE	25 OF 54

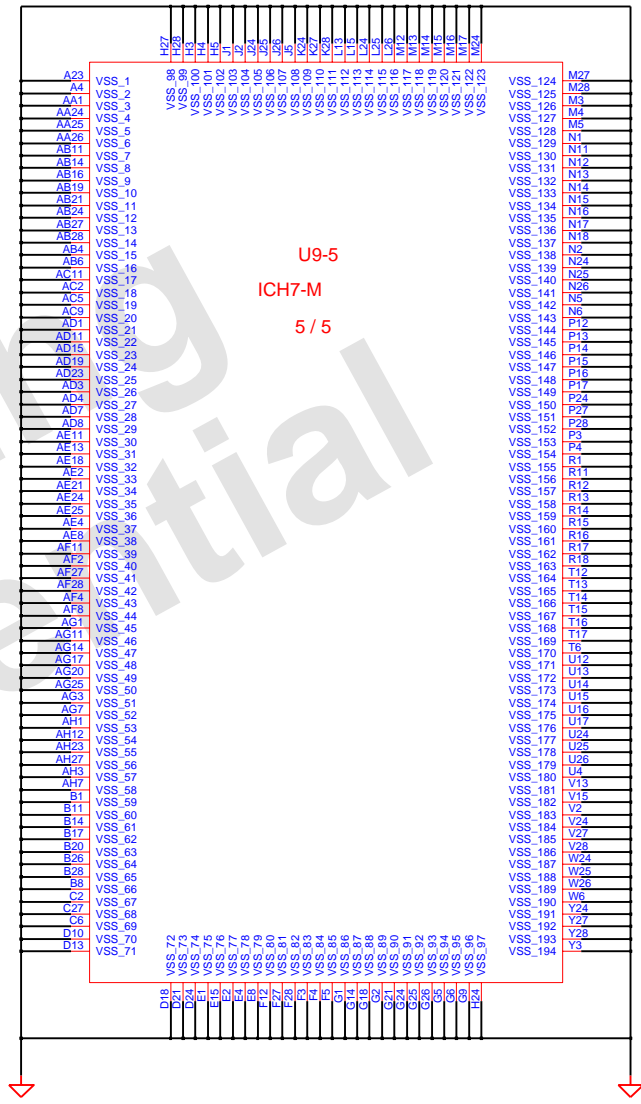
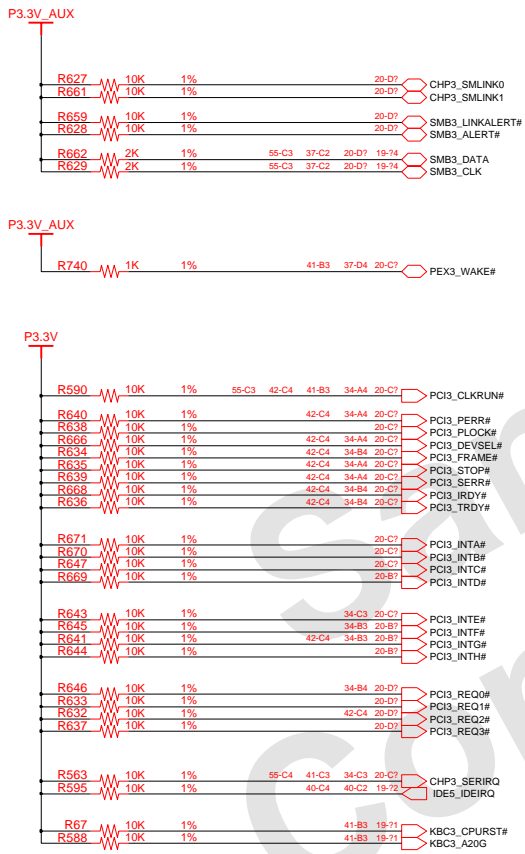
PART NO. BA41-00774A/00732A

SAMSUNG PROPRIETARY
 THIS DOCUMENT CONTAINS CONFIDENTIAL
 PROPRIETARY INFORMATION THAT IS
 SAMSUNG ELECTRONICS CO.'S PROPERTY.
 DO NOT DISCLOSE TO OR DUPLICATE FOR OTHERS
 EXCEPT AS AUTHORIZED BY SAMSUNG.



DRAW	ZHANG, ELLEN	DATE	3/15/2007	TITLE	SHANGHAI ICH7(3/4)	SAMSUNG ELECTRONICS	
CHECK	ZHENG, ROKY	DEV. STEP	SR				
APPROVAL	LEE, KEVIN	REV	1.0				
MODULE CODE	undefined	LAST EDIT	March 15, 2007 10:33:33 AM	PAGE			26 OF 54

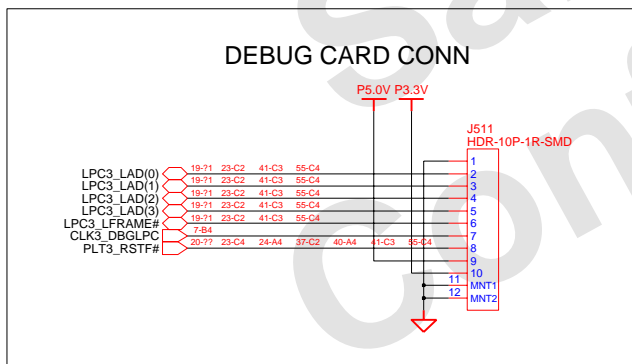
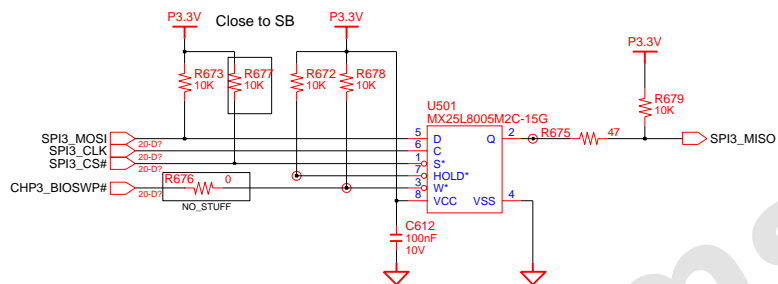
SAMSUNG PROPRIETARY
 THIS DOCUMENT CONTAINS CONFIDENTIAL
 PROPRIETARY INFORMATION THAT IS
 SAMSUNG ELECTRONICS CO.'S PROPERTY.
 DO NOT DISCLOSE TO OR DUPLICATE FOR OTHERS
 EXCEPT AS AUTHORIZED BY SAMSUNG.



DRAW	ZHANG, ELLEN	DATE	3/15/2007	TITLE	SHANGHAI	SAMSUNG ELECTRONICS
CHECK	ZHENG, ROKY	DEV. STEP	SR		ICH7(4/4)	
APPROVAL	LEE, KEVIN	REV	1.0			PART NO. BA41-00774A/00732A
MODULE CODE	undefined	LAST EDIT	March 15, 2007 10:33:33 AM	PAGE	27	OF 52

SAMSUNG PROPRIETARY

THIS DOCUMENT CONTAINS CONFIDENTIAL PROPRIETARY INFORMATION THAT IS SAMSUNG ELECTRONICS CO.'S PROPERTY. DO NOT DISCLOSE TO OR DUPLICATE FOR OTHERS EXCEPT AS AUTHORIZED BY SAMSUNG.

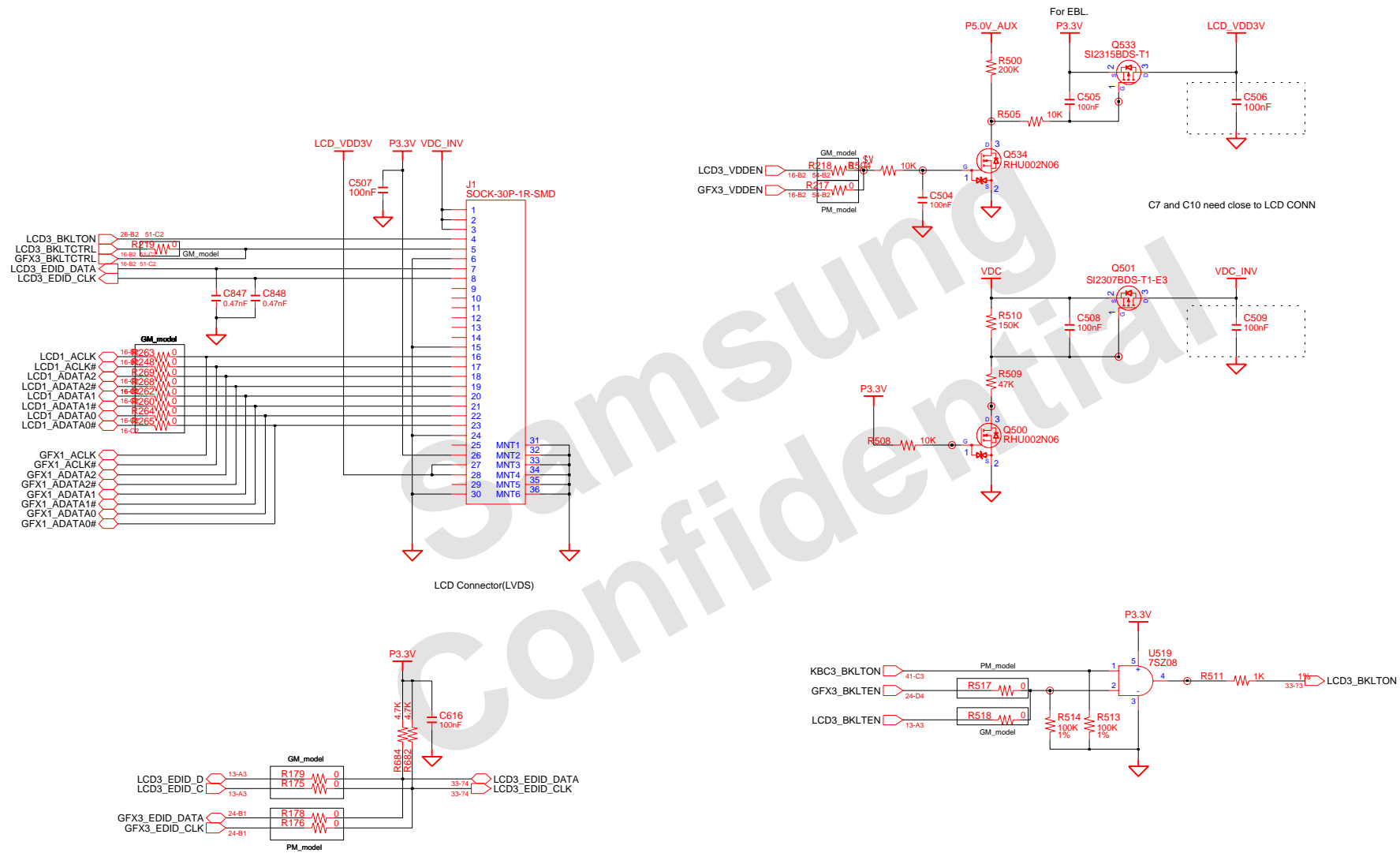


- | | |
|---|------------------------------------|
| 02 VERIFY REAL MODE | 66 CONFIGURE ADVANCE CACHE REG. |
| 03 DISABLE NMI | 6A DISPLAY EXTERNAL CACHE SIZE |
| 04 GET CPU TYPE | 6C DISPLAY SHADOW MESSAGE |
| 06 INIT. SYSTEM H/W | 6E DISPLAY NON-DISPOSABLE SEGMENT |
| 08 INIT. CHIPSET REG. | 70 DISPLAY ERROR MESSAGE |
| 09 SET IN POST FLAG | 72 CHECK FOR CONFIGURATION ERROR |
| 0A INIT CPU.REG | 74 TEST REAL-TIME CLOCK |
| 0B CPU CACHE ON | 76 CHECK FOR KEYBOARD ERROR |
| 0C INIT.CACHE TO POST | 7C SETUP HARDWARE INTERRUPT VECTOR |
| 0E INIT. I/O VALUE | 7E TEST COPROCESSER IF PRESENT |
| 0F ENABLE THE L-BUS IDE | 80 DISABLE ON-BOARD I/O PORT |
| 10 INIT. POWER MANAGER | 82 DETECT AND INSTALL EXT.RS232C |
| 11 LOAD ALTERNATE REG. | 84 DETECT AND INSTALL EXT.PARALLEL |
| 13 PCI BUS MASTER RESET WITH INITIAL POST VALUE | 86 RE-INIT. ON-BOARD I/O PORT |
| 14 INIT. KEYBOARD CONTROLLER | 88 INIT. BIOS DATA ROM |
| 16 CHECK CHECKSUM | 8A INIT.EXTENDED BIOS DATA AREA |
| 18 8254 TIMER INIT. | 8C INIT. FDD CONTROLLER |
| 1A 8237 DMA CONTROLLER INIT. | 9A SHADOW OPTION ROMS |
| 1C RESET INTERRUPT CONTROLLER | 9C SETUP POWER MANAGEMENT |
| 20 TEST DRAM REFRESH | 9E ENABLE H/W INTERRUPT |
| 22 TEST 8742 KEYBOARD CONTROLLER | A0 SET TIME OF DAY |
| 24 SET ES SEGMENT REG. TO 4GB | A4 INIT. TYPOMATIC RATE |
| 26 ENABLE A20 | A8 ERASE F2 PROMPT |
| 28 AUTO SIZING DRAM | AA SCAN FOR F2 KEY STROKE |
| 32 COMPUTE THE CPU SPEED | AC ENTER SETUP |
| 34 TESET CMOS RAM | AE CLEAR IN POST FLAG |
| 38 SHADOW SYSTEM BIOS ROM | B0 CHECK FOR ERRORS |
| 3A AUTO SIZING CACHE | B2 POST DONE-PREPARE TO BOOT O/S |
| 3C CONFIGURE ADVANCED CHIPSET REG. | B4 ONE BEEP |
| 3D LOAD ALTER REG. WITH CMOS VALUE | B6 CHECK PASSWORD (OPTION) |
| 42 INIT. INTERRUPT VECTOR | B7 ACPI INIT |
| 44 INIT. BIOS INTERRUPT | BA DMI INIT |
| 46 CHECK ROM COPYRIGHT NOTICE | BE CLEAR SCREEN |
| 47 INIT. I20 SUPPORT IF INSTALLED | C0 TRY BOOT WITH INT19 |
| 48 CHECK VIDEO CONFIGURE AGAINST CMOS | D0 INTERRUPT HANDLER ERROR |
| 49 INIT. PCI BUS AND DEVICE | D2 UNKNOWN INTERRUPT ERROR |
| 4A INIT. ALL VIDEO BIOS ROM | D4 PENDING INTERRUPT ERROR |
| 4C SHADOW VIDEO BIOS ROM | D6 SHUTDOWN 5 |
| 50 DISPLAY CPU TYPE AND SPEED | D8 SHUTDOWN ERROR |
| 52 TEST KEYBOARD | DA EXTENDED BLOCK MOVE |
| 54 SET KEYCLICK IF ENABLED | DC SHUTDOWN 10 |
| 56 ENABLE KEYBOARD | 89 ENABLE NMI |
| 58 TEST FOR UNEXPECTED INTERRUPTS | 90 INIT. HDD CONTROLLER |
| 5A DISPLAY " PRESS SETUP" | 91 INIT. LOCAL BUS HDD CONTROLLER |
| 5C TEST RAM BETWEEN 512K AND 640K | 92 JUMP TO USER PATCH 2 |
| 60 TEST EXTENDED MEMORY | 94 DISABLE A20 ADDRESS LINE |
| 62 TEST EXTENDED MEMORY ADDRESS LINE | 96 CLEAR HUGE ES SEGMENT REG. |
| 64 JUMP TO USER PATCH 1 | 98 SEARCH FOR OPTION ROMS |

DRAW	ZHANG, ELLEN	DATE	3/15/2007	TITLE	SHANGHAI	SAMSUNG ELECTRONICS
CHECK	ZHENG, ROKY	DEV. STEP	SR	FWH		
APPROVAL	LEE, KEVIN	REV	1.0			PART NO. BA41-00774A/00732A
MODULE CODE	undefined	LAST EDIT	March 15, 2007 10:33:33 AM	PAGE	28	OF 54

SAMSUNG PROPRIETARY

THIS DOCUMENT CONTAINS CONFIDENTIAL PROPRIETARY INFORMATION THAT IS SAMSUNG ELECTRONICS CO.'S PROPERTY. DO NOT DISCLOSE TO OR DUPLICATE FOR OTHERS EXCEPT AS AUTHORIZED BY SAMSUNG.

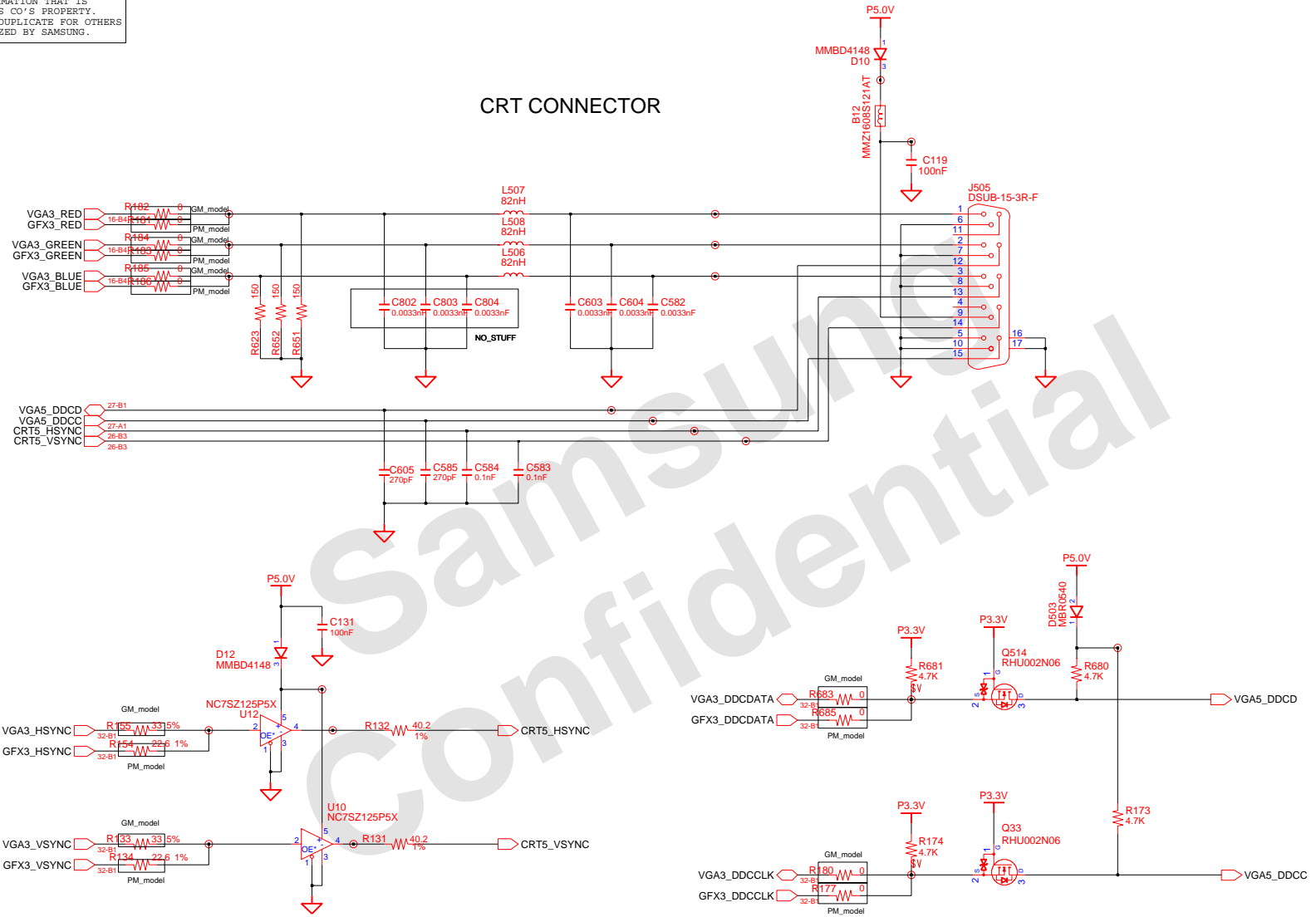


DRAW	ZHANG, ELLEN	DATE	3/15/2007	TITLE	SHANGHAI LCD	SAMSUNG ELECTRONICS
CHECK	ZHENG, ROKY	DEV. STEP	SR			
APPROVAL	LEE, KEVIN	REV	1.0		PART NO.	BA41-00774A/00732A
MODULE CODE	undefined	LAST EDIT	March 15, 2007 10:33:33 AM	PAGE	29	OF 54

SAMSUNG PROPRIETARY

THIS DOCUMENT CONTAINS CONFIDENTIAL PROPRIETARY INFORMATION THAT IS SAMSUNG ELECTRONICS CO.'S PROPERTY. DO NOT DISCLOSE TO OR DUPLICATE FOR OTHERS EXCEPT AS AUTHORIZED BY SAMSUNG.

CRT CONNECTOR

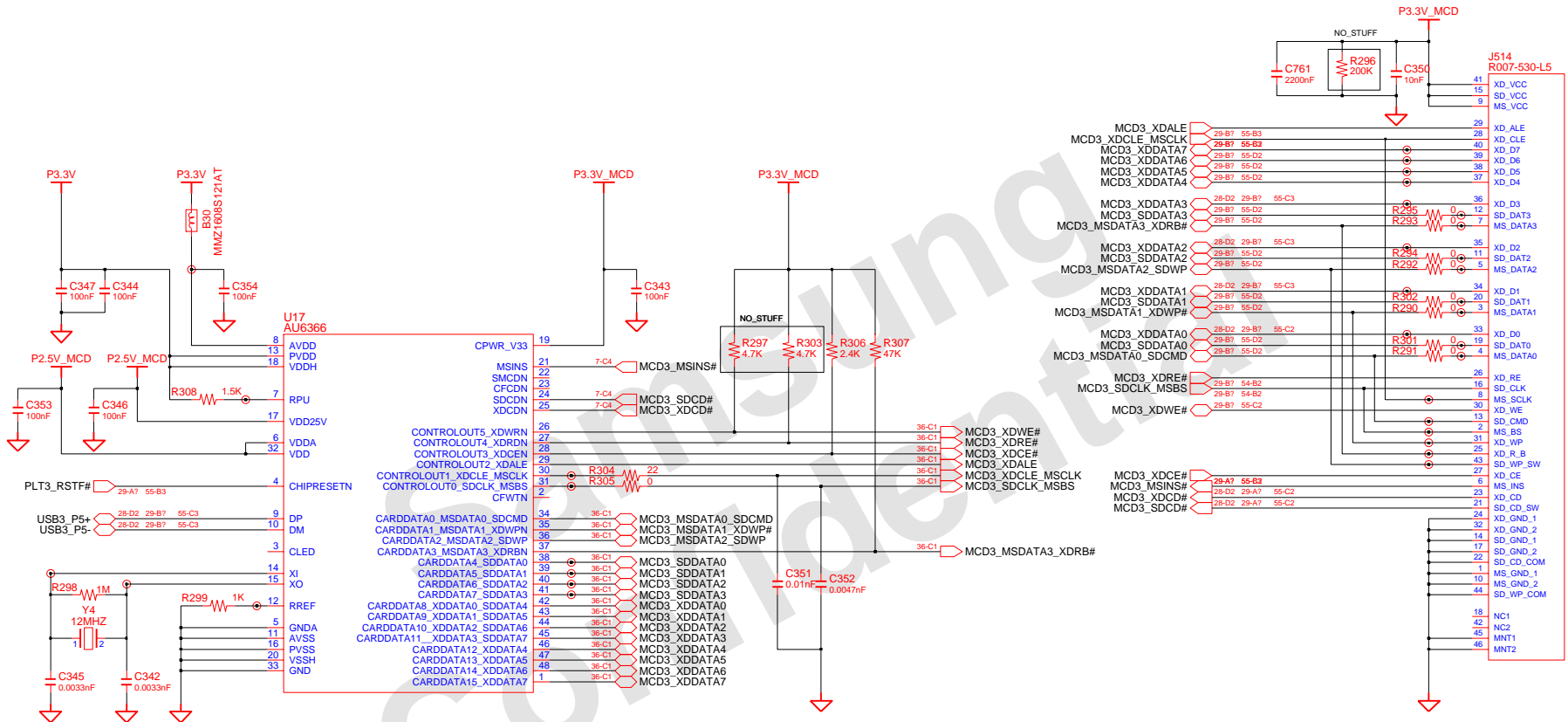


DRAW	ZHANG, ELLEN	DATE	3/15/2007	TITLE	SHANGHAI CRT	SAMSUNG ELECTRONICS PART NO. BA41-00774A/00732A
CHECK	ZHENG, ROKY	DEV. STEP	SR			
APPROVAL	LEE, KEVIN	REV	1.0			
MODULE CODE	undefined	LAST EDIT	March 15, 2007 10:33:33 AM	PAGE	30	OF 54

SAMSUNG PROPRIETARY

THIS DOCUMENT CONTAINS CONFIDENTIAL PROPRIETARY INFORMATION THAT IS SAMSUNG ELECTRONICS CO.'S PROPERTY. DO NOT DISCLOSE TO OR DUPLICATE FOR OTHERS EXCEPT AS AUTHORIZED BY SAMSUNG.

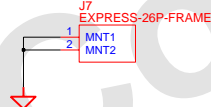
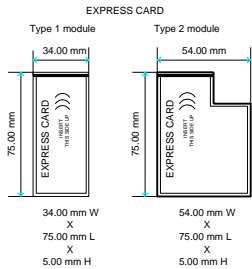
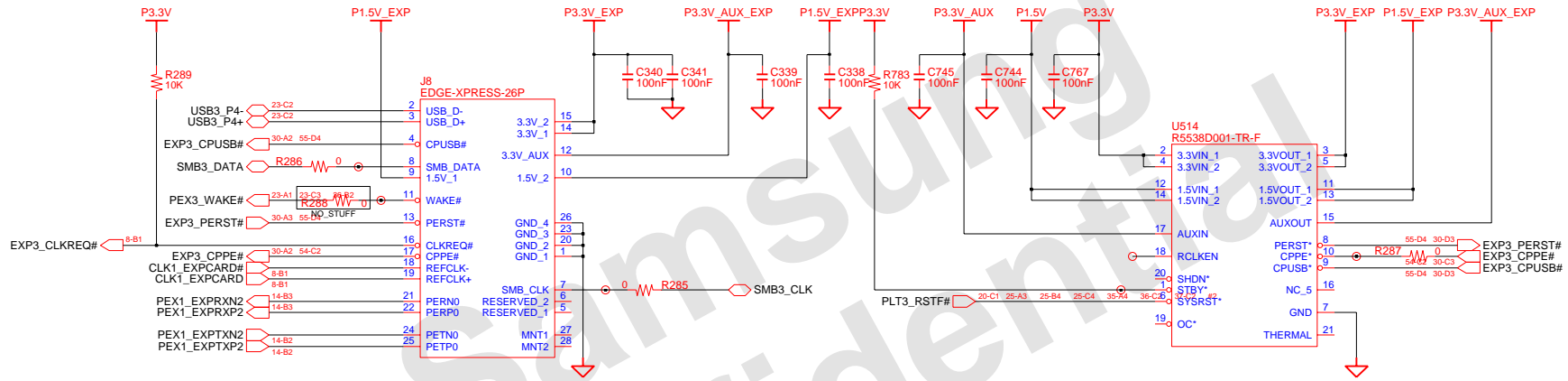
4 IN 1 CARD



DRAW	ZHANG, ELLEN	DATE	3/15/2007	TITLE	SHANGHAI 4 IN 1 CARD	SAMSUNG ELECTRONICS			
CHECK	ZHENG, ROKY	DEV. STEP	SR						
APPROVAL	LEE, KEVIN	REV	1.0						
MODULE CODE	undefined	LAST ENT							
March 15, 2007 10:33:33 AM						PAGE	31	OF	54
						PART NO.	BA41-00774A/00732A		

SAMSUNG PROPRIETARY

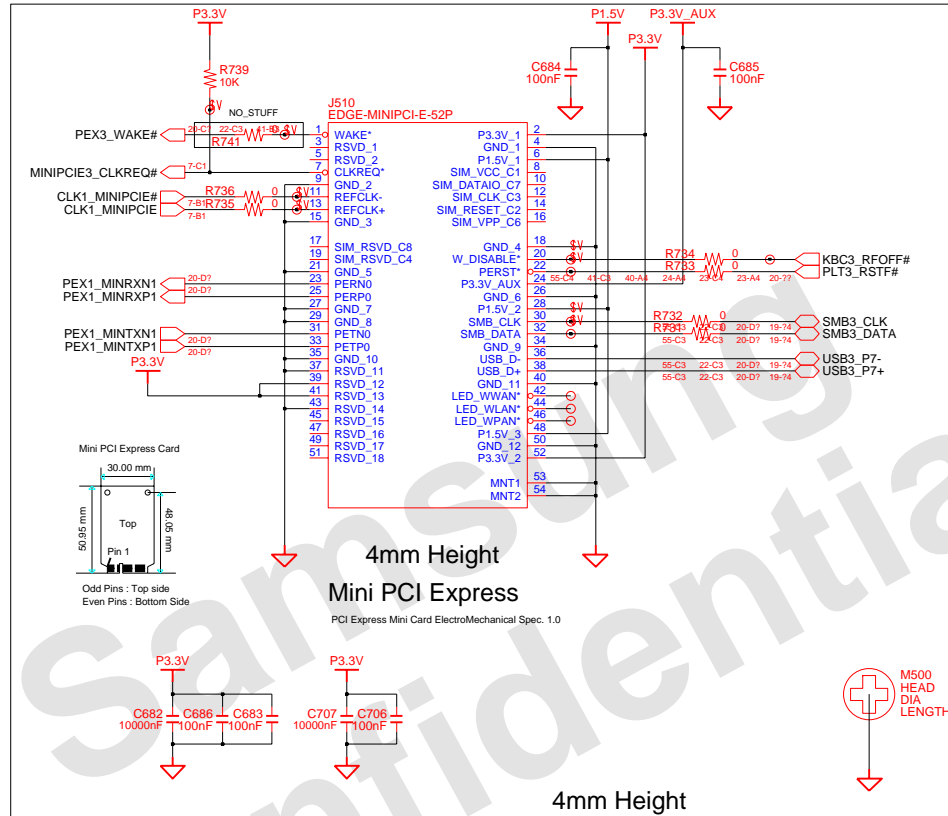
THIS DOCUMENT CONTAINS CONFIDENTIAL PROPRIETARY INFORMATION THAT IS SAMSUNG ELECTRONICS CO.'S PROPERTY. DO NOT DISCLOSE TO OR DUPLICATE FOR OTHERS EXCEPT AS AUTHORIZED BY SAMSUNG.



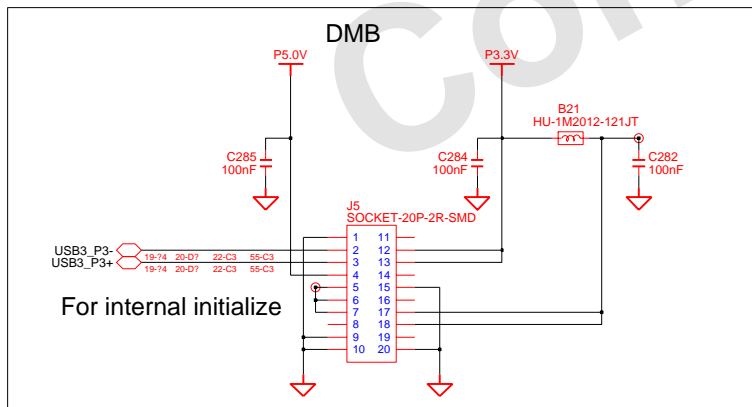
DRAW	ZHANG, ELLEN	DATE	3/15/2007	TITLE	SHANGHAI EXPRESS CARD	SAMSUNG ELECTRONICS
CHECK	ZHENG, ROKY	DEV. STEP	SR			
APPROVAL	LEE, KEVIN	REV	1.0			
MODULE CODE	undefined	LAST EDIT	March 15, 2007 10:33:33 AM	PAGE 32 OF 54		
					PART NO.	BA41-00774A/00732A

SAMSUNG PROPRIETARY

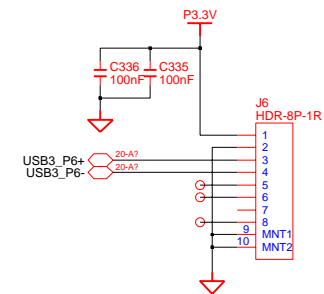
THIS DOCUMENT CONTAINS CONFIDENTIAL PROPRIETARY INFORMATION THAT IS SAMSUNG ELECTRONICS CO.'S PROPERTY. DO NOT DISCLOSE TO OR DUPLICATE FOR OTHERS EXCEPT AS AUTHORIZED BY SAMSUNG.



factory option



Bluetooth Interface



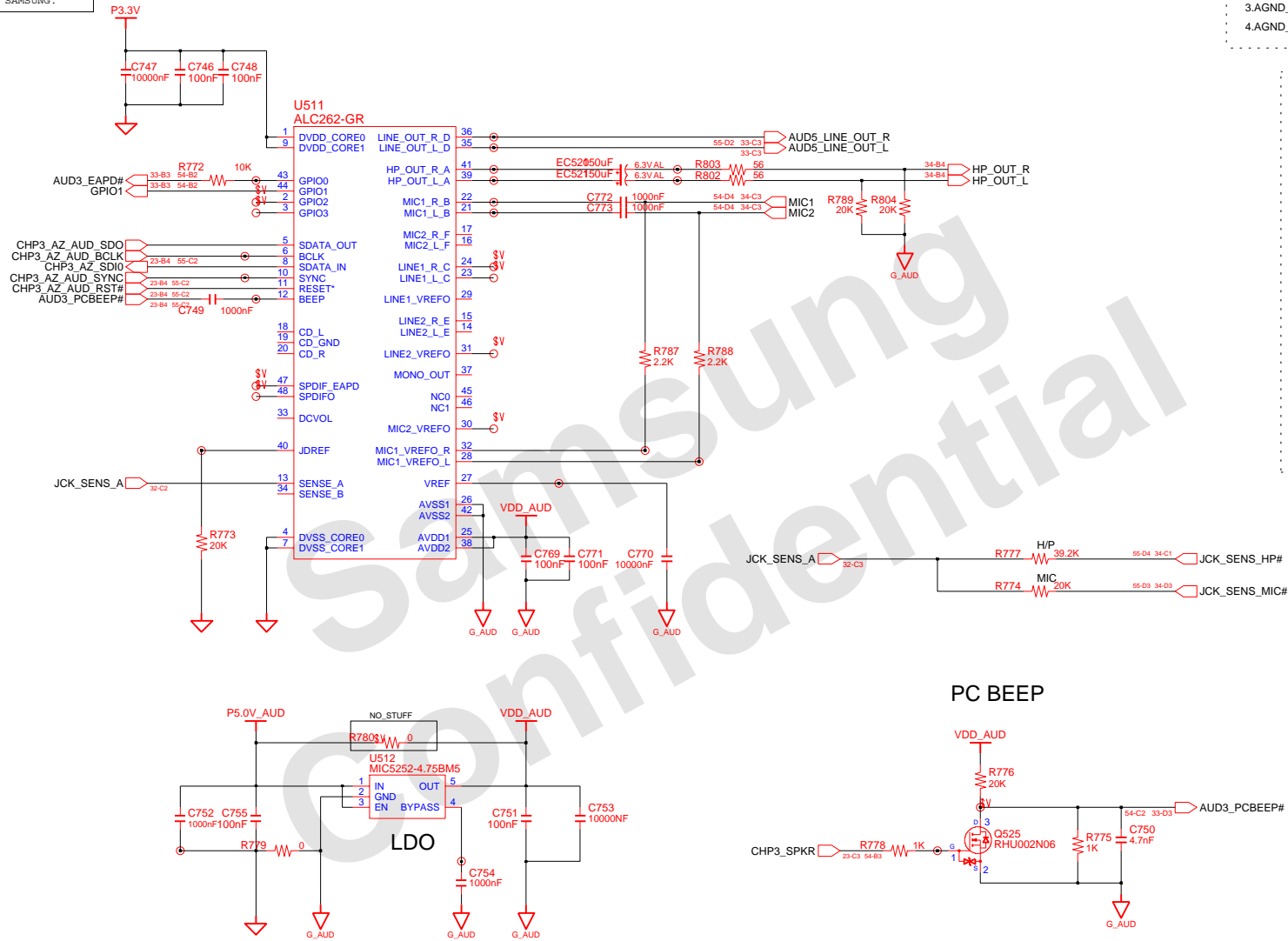
DRAW	ZHANG, ELLEN	DATE	3/15/2007	TITLE	SHANGHAI MINI CARD	SAMSUNG ELECTRONICS	
CHECK	ZHENG, ROKY	DEV. STEP	SR				
APPROVAL	LEE, KEVIN	REV	1.0				
MODULE CODE	undefined	LAST EDIT	March 15, 2007 10:33:33 AM	PAGE			33 OF 54
							PART NO.

SAMSUNG PROPRIETARY

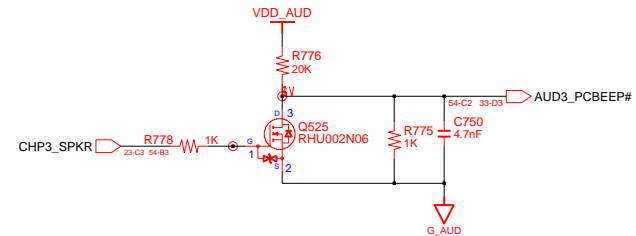
THIS DOCUMENT CONTAINS CONFIDENTIAL PROPRIETARY INFORMATION THAT IS SAMSUNG ELECTRONICS CO.'S PROPERTY. DO NOT DISCLOSE TO OR DUPLICATE FOR OTHERS EXCEPT AS AUTHORIZED BY SAMSUNG.

- 1.AGND_AUD IS AUDIO GROUND
- 2. GND IS DIGITAL GROUND
- 3.AGND_MIC IS MIC GROUND
- 4.AGND_CHS IS CHASSIS GROUND

ALL TYPE IS 1608



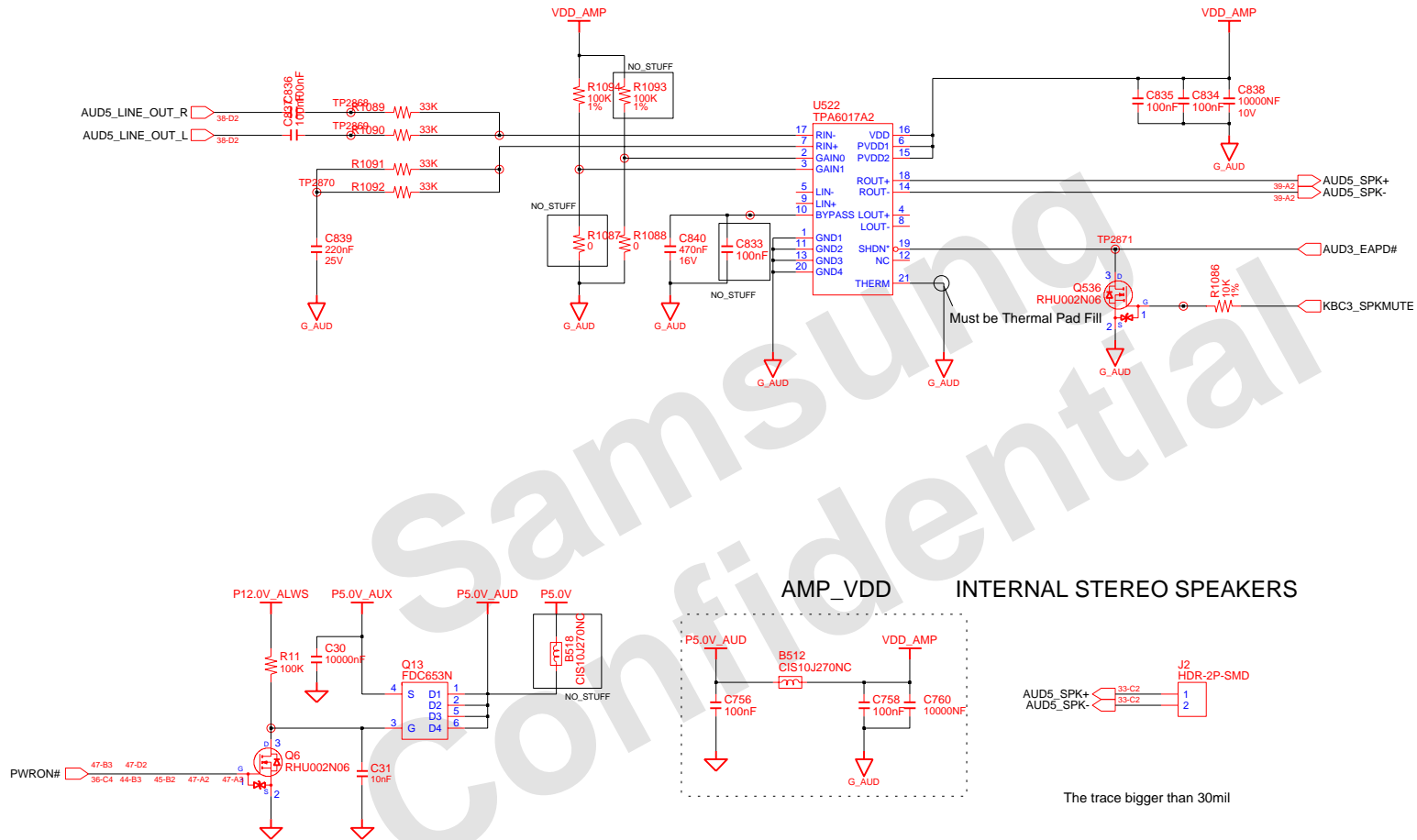
PC BEEP



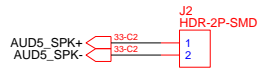
DRAW	ZHANG, ELLEN	DATE	3/15/2007	TITLE	SHANGHAI AUDIO(1/3)	SAMSUNG ELECTRONICS	
CHECK	ZHENG, ROKY	DEV. STEP	SR				
APPROVAL	LEE, KEVIN	REV	1.0				
MODULE CODE	undefined	LAST EDIT	March 15, 2007 10:33:33 AM	PAGE			34 OF 54

SAMSUNG PROPRIETARY

THIS DOCUMENT CONTAINS CONFIDENTIAL PROPRIETARY INFORMATION THAT IS SAMSUNG ELECTRONICS CO.'S PROPERTY. DO NOT DISCLOSE TO OR DUPLICATE FOR OTHERS EXCEPT AS AUTHORIZED BY SAMSUNG.



AMP_VDD INTERNAL STEREO SPEAKERS



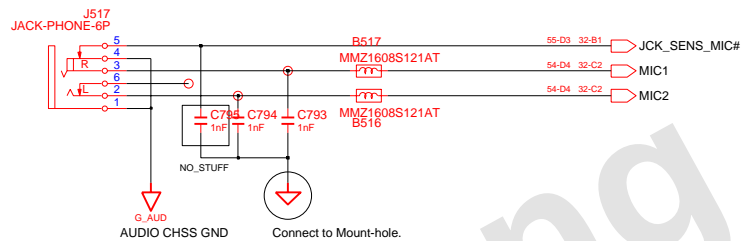
The trace bigger than 30mil

DRAW	ZHANG, ELLEN	DATE	3/15/2007	TITLE	SHANGHAI AUDIO(2/3)	SAMSUNG ELECTRONICS PART NO. BA41-00774A/00732A
CHECK	ZHENG, ROKY	DEV. STEP	SR			
APPROVAL	LEE, KEVIN	REV	1.0			
MODULE CODE	undefined	LAST EDIT	March 15, 2007 10:33:33 AM	PAGE 35 OF 54		

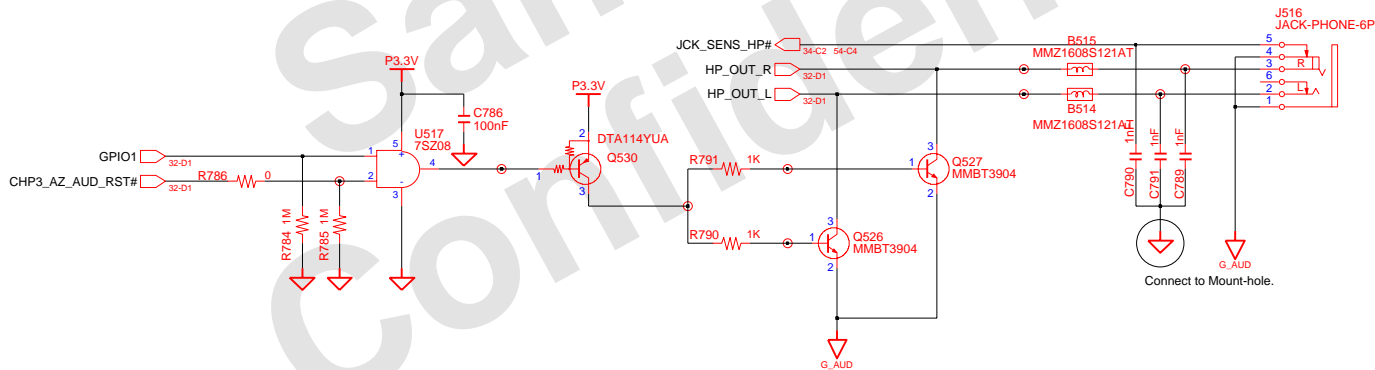
SAMSUNG PROPRIETARY

THIS DOCUMENT CONTAINS CONFIDENTIAL PROPRIETARY INFORMATION THAT IS SAMSUNG ELECTRONICS CO.'S PROPERTY. DO NOT DISCLOSE TO OR DUPLICATE FOR OTHERS EXCEPT AS AUTHORIZED BY SAMSUNG.

MIC JACK



HEADPHONE



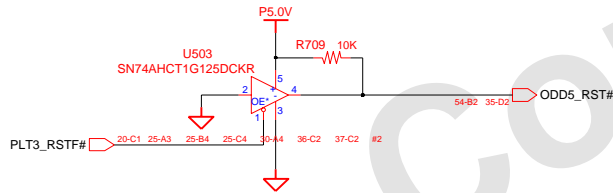
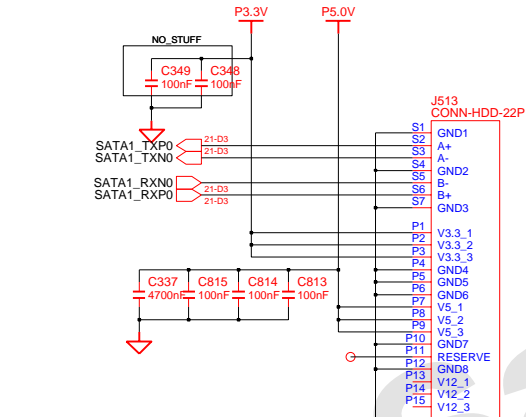
The traces led to Audio Jacks have the width over 10mil

DRAW	ZHANG, ELLEN	DATE	3/15/2007	TITLE	SHANGHAI AUDIO(3/3)	SAMSUNG ELECTRONICS
CHECK	ZHENG, ROKY	DEV. STEP	SR			
APPROVAL	LEE, KEVIN	REV	1.0			
MODULE CODE	undefined	LAST EDIT	March 15, 2007 10:33:33 AM	PAGE 36 OF 54		

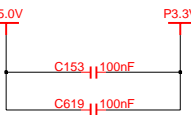
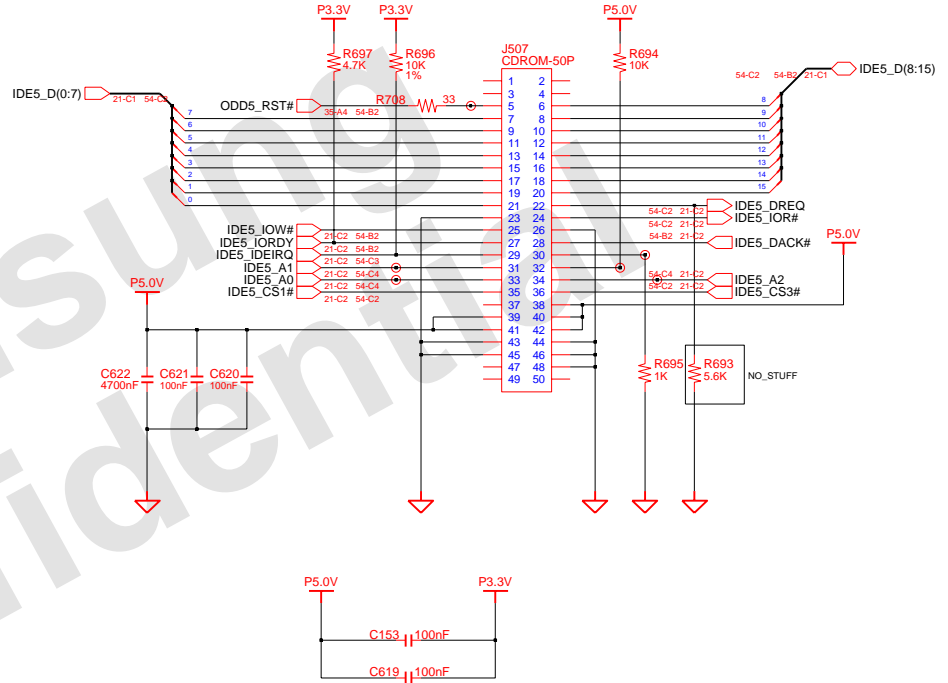
SAMSUNG PROPRIETARY

THIS DOCUMENT CONTAINS CONFIDENTIAL PROPRIETARY INFORMATION THAT IS SAMSUNG ELECTRONICS CO.'S PROPERTY. DO NOT DISCLOSE TO OR DUPLICATE FOR OTHERS EXCEPT AS AUTHORIZED BY SAMSUNG.

Main to HDD



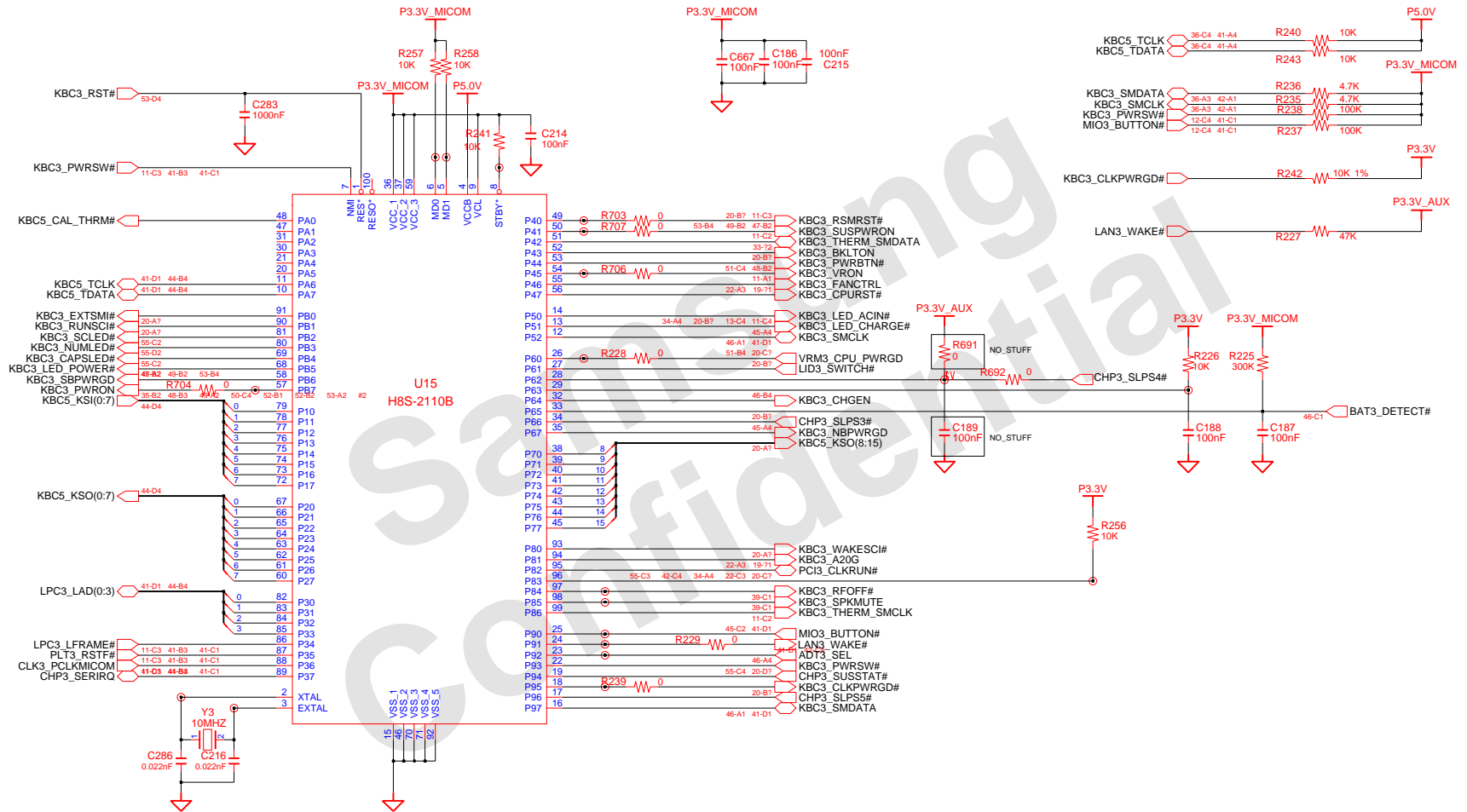
Main to ODD



DRAW	ZHANG, ELLEN	DATE	3/15/2007	TITLE	SHANGHAI HDD & ODD	SAMSUNG ELECTRONICS PART NO. BA41-00774A/00732A
CHECK	ZHENG, ROKY	DEV. STEP	SR			
APPROVAL	LEE, KEVIN	REV	1.0			
MODULE CODE	undefined	LAST EDIT	March 15, 2007 10:33:33 AM	PAGE 37 OF 54		

SAMSUNG PROPRIETARY

THIS DOCUMENT CONTAINS CONFIDENTIAL PROPRIETARY INFORMATION THAT IS SAMSUNG ELECTRONICS CO.'S PROPERTY. DO NOT DISCLOSE TO OR DUPLICATE FOR OTHERS EXCEPT AS AUTHORIZED BY SAMSUNG.



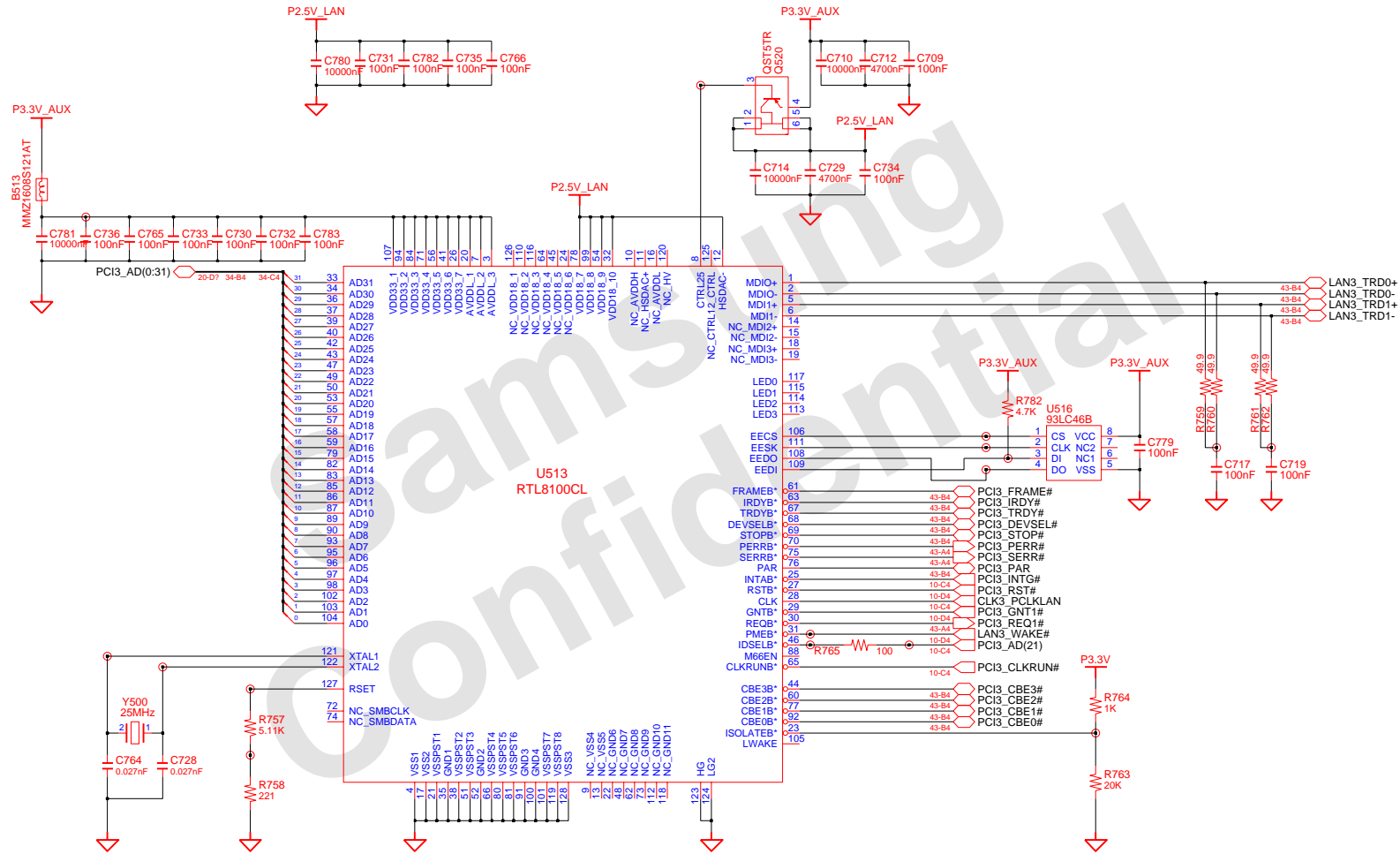
TP FOR UPDATE MICOM:
 P84=>TXD;P85=>RXD
 MD0 and MD1 =>GND
 P90,P91,P92=>VCC

DRAW	ZHANG, ELLEN	DATE	3/15/2007	TITLE	SAMSUNG ELECTRONICS SHANGHAI MICOM PART NO. BA41-00774A/00732A	
CHECK	ZHENG, ROKY	DEV. STEP	SR			
APPROVAL	LEE, KEVIN	REV	1.0			
MODULE CODE	undefined	LAST EDIT	March 15, 2007 10:33:33 AM	PAGE		38 OF 54

SAMSUNG PROPRIETARY

THIS DOCUMENT CONTAINS CONFIDENTIAL PROPRIETARY INFORMATION THAT IS SAMSUNG ELECTRONICS CO.'S PROPERTY. DO NOT DISCLOSE TO OR DUPLICATE FOR OTHERS EXCEPT AS AUTHORIZED BY SAMSUNG.

LAN Controller (Only 10/100M)

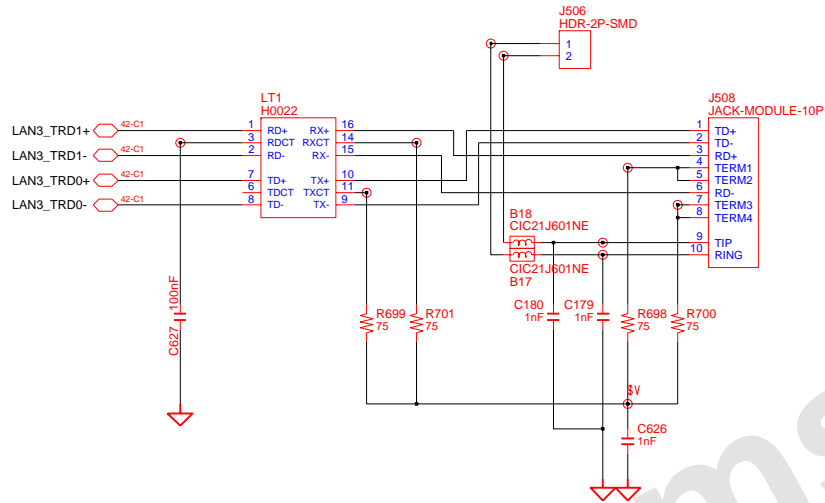


DRAW	ZHANG, ELLEN	DATE	3/15/2007	TITLE	SHANGHAI	SAMSUNG ELECTRONICS
CHECK	ZHENG, ROKY	DEV. STEP	SR		LAN	PART NO. BA41-00774A/00732A
APPROVAL	LEE, KEVIN	REV	1.0			
MODULE CODE	undefined	LAST EDIT	March 15, 2007 10:33:33 AM	PAGE	39	OF 54

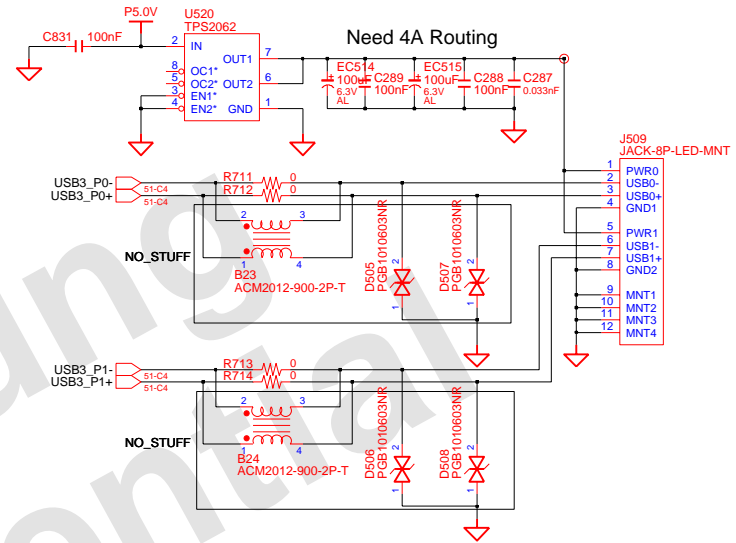
SAMSUNG PROPRIETARY

THIS DOCUMENT CONTAINS CONFIDENTIAL PROPRIETARY INFORMATION THAT IS SAMSUNG ELECTRONICS CO.'S PROPERTY. DO NOT DISCLOSE TO OR DUPLICATE FOR OTHERS EXCEPT AS AUTHORIZED BY SAMSUNG.

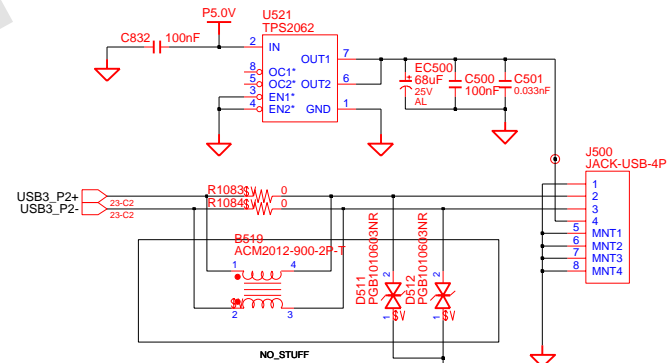
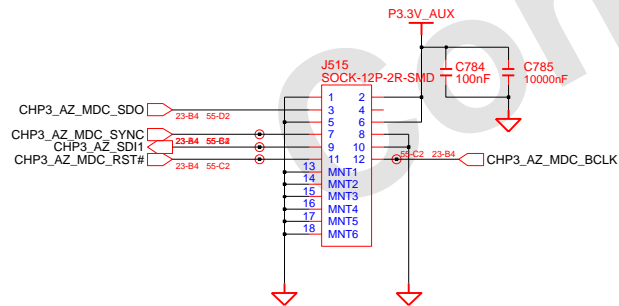
LAN Connector



USB Connector



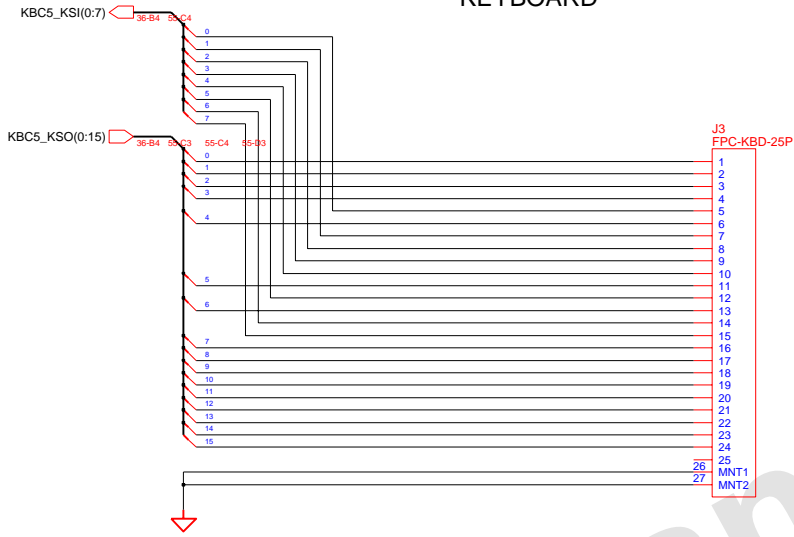
MDC Connector



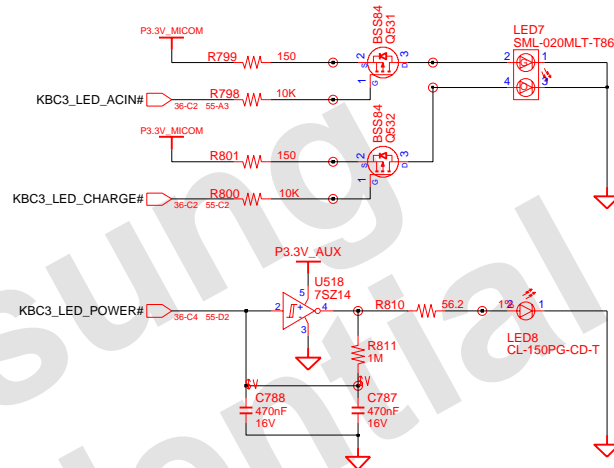
DRAW	ZHANG, ELLEN	DATE	3/15/2007	TITLE	SHANGHAI LAN & MDC CONN	SAMSUNG ELECTRONICS	
CHECK	ZHENG, ROKY	DEV. STEP	SR				
APPROVAL	LEE, KEVIN	REV	1.0				
MODULE CODE	undefined	LAST EDIT	March 15, 2007 10:33:33 AM	PAGE			40 OF 54
				PART NO.			BA41-00774A/00732A

SAMSUNG PROPRIETARY
 THIS DOCUMENT CONTAINS CONFIDENTIAL
 PROPRIETARY INFORMATION THAT IS
 SAMSUNG ELECTRONICS CO.'S PROPERTY.
 DO NOT DISCLOSE TO OR DUPLICATE FOR OTHERS
 EXCEPT AS AUTHORIZED BY SAMSUNG.

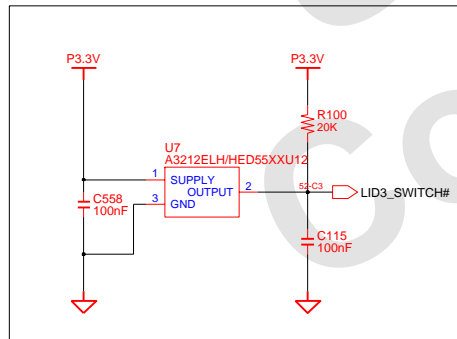
KEYBOARD



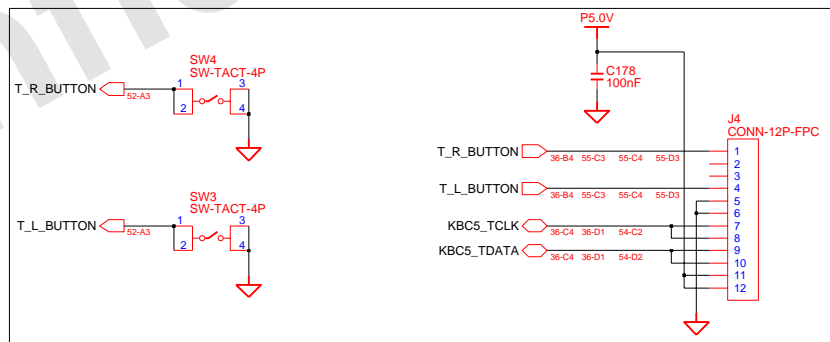
ADAPTERIN/CHARGING LED



LID SWITCH



TOUCHPAD

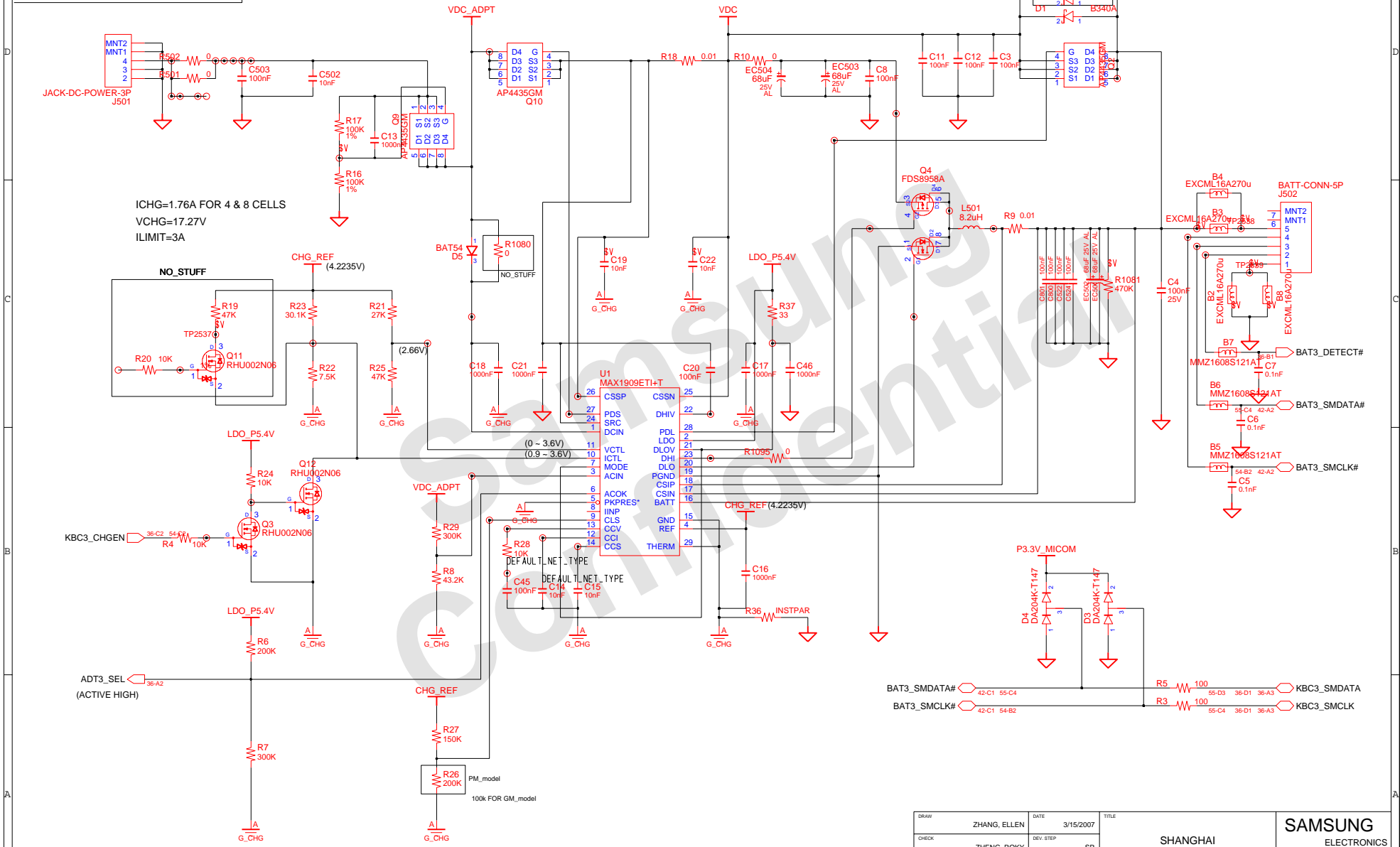


DRAW	ZHANG, ELLEN	DATE	3/15/2007	TITLE	SHANGHAI BOARD CONN	SAMSUNG ELECTRONICS PART NO. BA41-00774A/00732A	
CHECK	ZHENG, ROKY	DEV. STEP	SR				
APPROVAL	LEE, KEVIN	REV	1.0				
MODULE CODE	undefined	LAST EDIT	March 15, 2007 10:33:33 AM	PAGE			41 OF 54

SAMSUNG PROPRIETARY

THIS DOCUMENT CONTAINS CONFIDENTIAL PROPRIETARY INFORMATION THAT IS SAMSUNG ELECTRONICS CO.'S PROPERTY. DO NOT DISCLOSE TO OR DUPLICATE FOR OTHERS EXCEPT AS AUTHORIZED BY SAMSUNG.

CHARGER & POWER MANAGEMENT



ICHG=1.76A FOR 4 & 8 CELLS
 VCHG=17.27V
 ILIMIT=3A

NO_STUFF

CHG_REF (4.2235V)

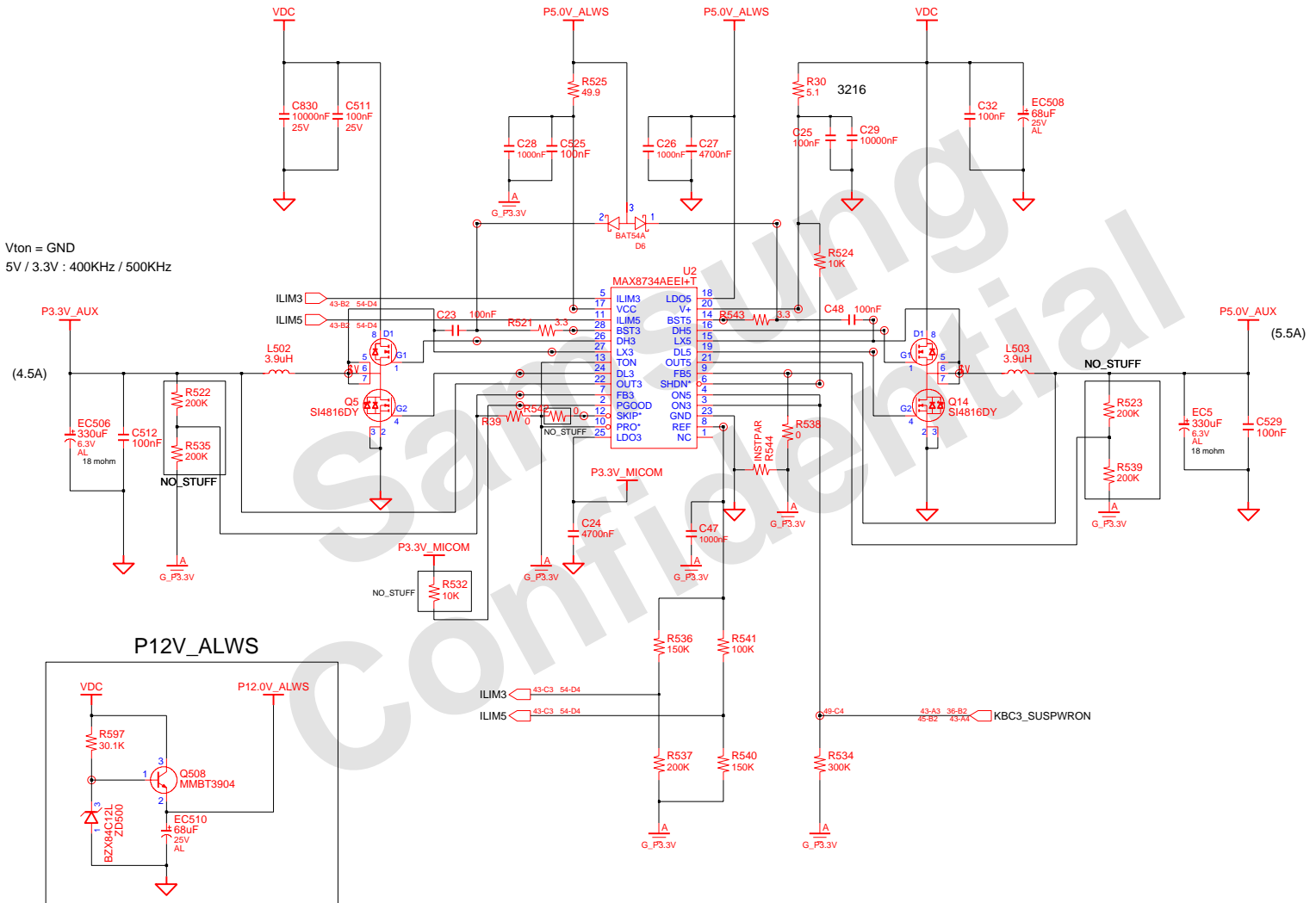
LDO_P5.4V

P3.3V_MICOM

BAT3_SMDATA# 42-C1 55-C4
 BAT3_SMCLK# 42-C1 54-B2

DRAW	ZHANG, ELLEN	DATE	3/15/2007	TITLE	SHANGHAI CHARGE	SAMSUNG ELECTRONICS	
CHECK	ZHENG, ROKY	DEV. STEP	SR				
APPROVAL	LEE, KEVIN	REV	1.0				
MODULE CODE	undefined	LAST EDIT	March 15, 2007 10:33:33 AM	PAGE			42 OF 54
				PART NO.			BA41-00774A/00732A

P3.3V_AUX & P5V_AUX

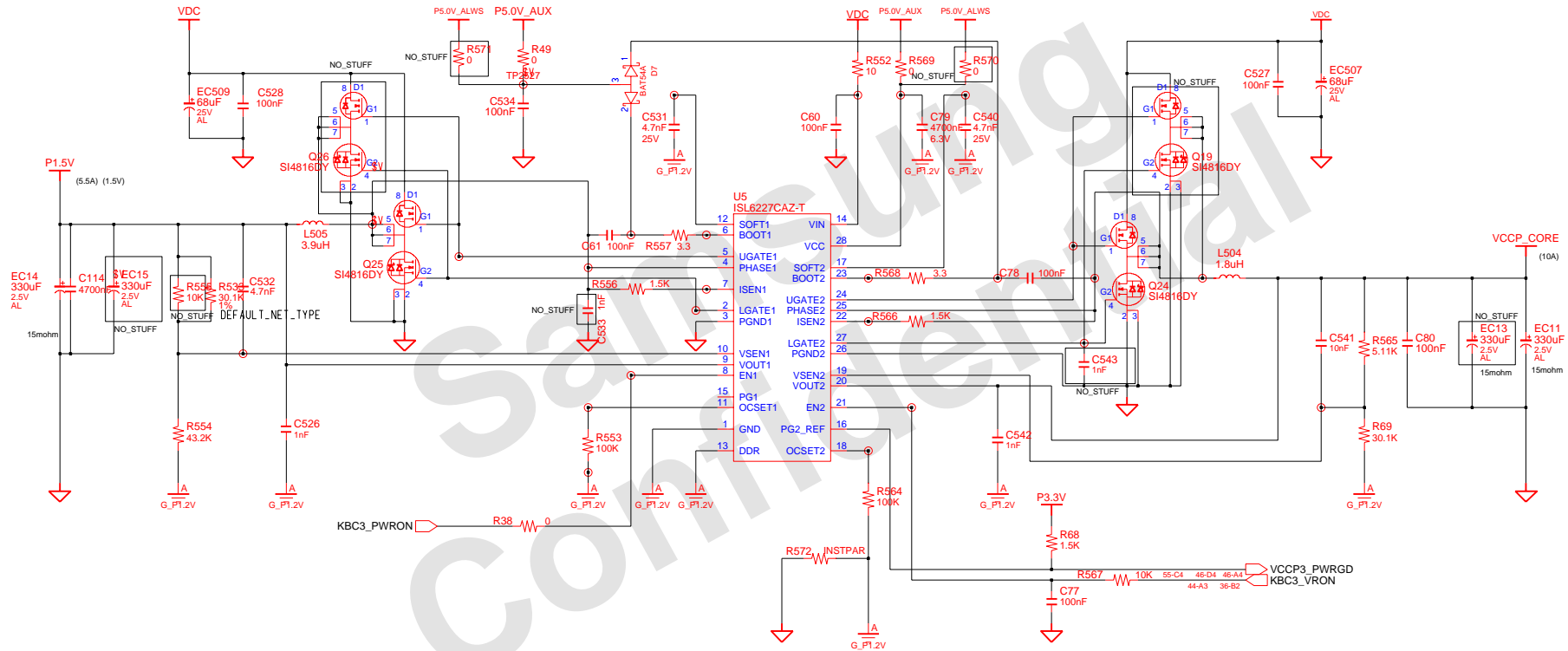


DRAW	ZHANG, ELLEN	DATE	3/15/2007	TITLE	SHANGHAI P3.3V_AUX & P5V_AUX	SAMSUNG ELECTRONICS
CHECK	ZHENG, ROKY	DEV. STEP	SR			PART NO. BA41-00774A/00732A
APPROVAL	LEE, KEVIN	REV	1.0			
MODULE CODE	undefined	LAST EDIT	March 15, 2007 10:33:33 AM	PAGE	43	OF 54

SAMSUNG PROPRIETARY

THIS DOCUMENT CONTAINS CONFIDENTIAL
PROPRIETARY INFORMATION THAT IS
SAMSUNG ELECTRONICS CO.'S PROPERTY.
DO NOT DISCLOSE TO OR DUPLICATE FOR OTHERS
EXCEPT AS AUTHORIZED BY SAMSUNG.

P1.5V & VCCP_CORE(1.05V)

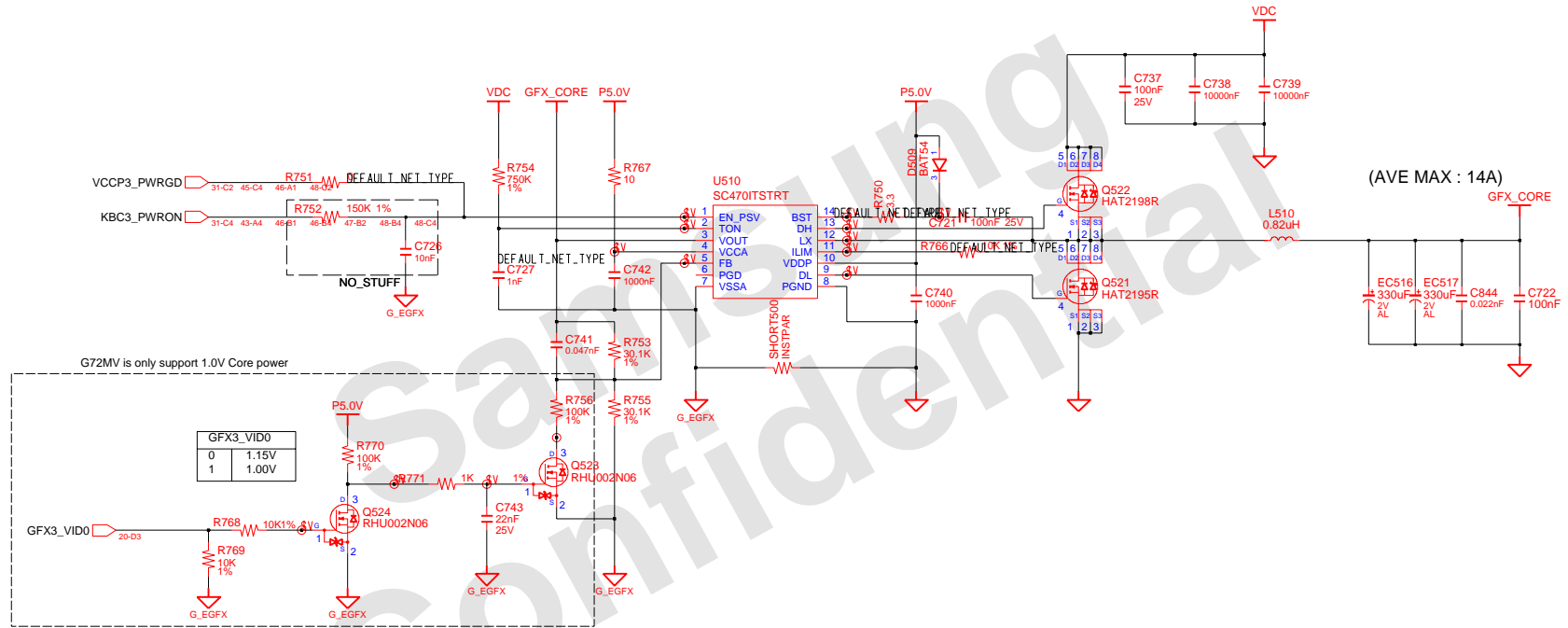


DRAW	ZHANG, ELLEN	DATE	3/15/2007	TITLE	SHANGHAI P1.2V & VCCP			SAMSUNG ELECTRONICS	
CHECK	ZHENG, ROKY	DEV. STEP	SR				PART NO. BA41-00774A/00732A		
APPROVAL	LEE, KEVIN	REV	1.0				PAGE 44 OF 54		
MODULE CODE	undefined	LAST EDIT	March 15, 2007 10:33:33 AM						

SAMSUNG PROPRIETARY

THIS DOCUMENT CONTAINS CONFIDENTIAL PROPRIETARY INFORMATION THAT IS SAMSUNG ELECTRONICS CO.'S PROPERTY. DO NOT DISCLOSE TO OR DUPLICATE FOR OTHERS EXCEPT AS AUTHORIZED BY SAMSUNG.

Graphic Core Power

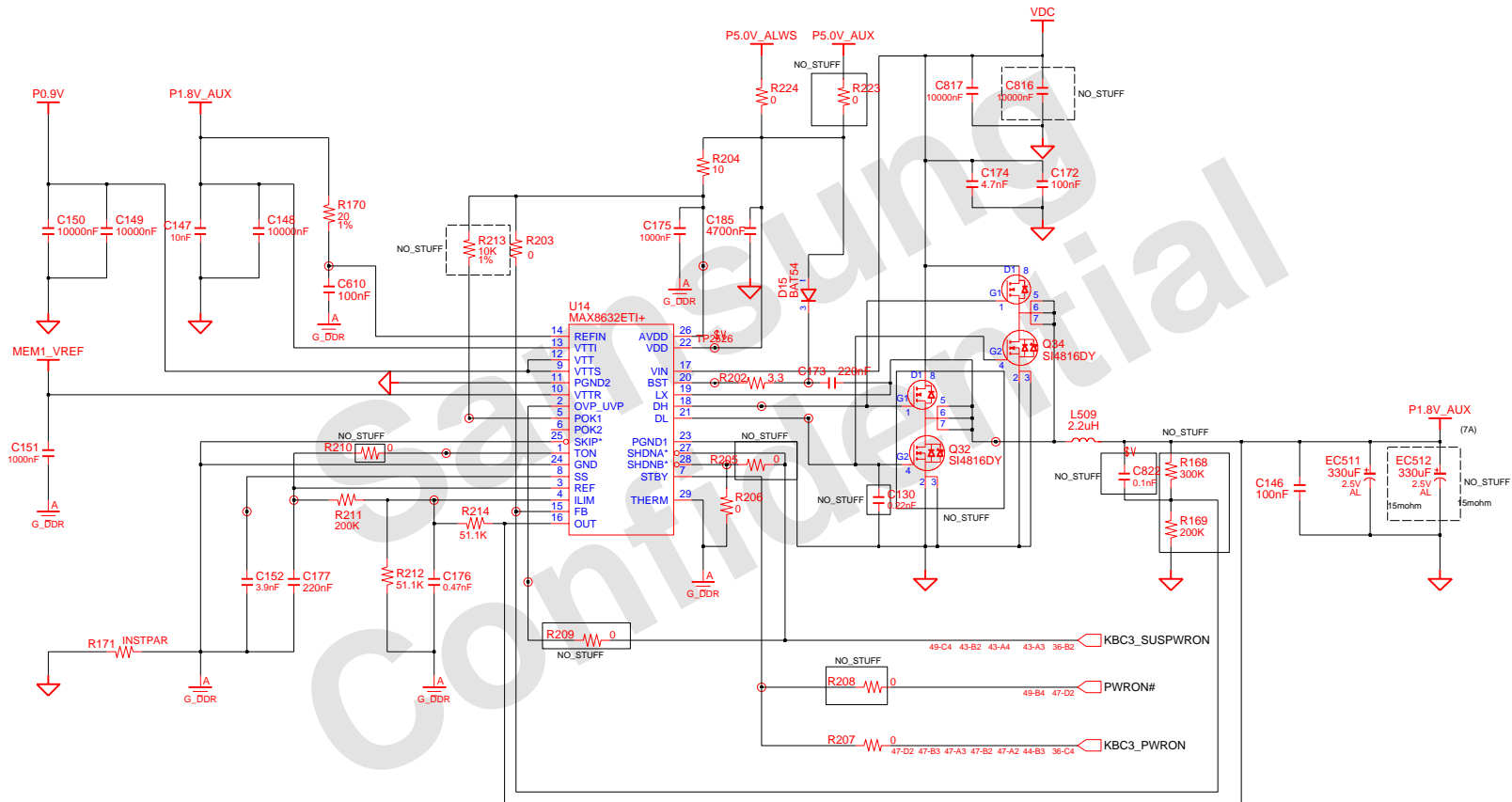


(AVE MAX : 14A)

DRAW	ZHANG, ELLEN	DATE	3/15/2007	TITLE	SHANGHAI GFX_CORE & P1.5V	SAMSUNG ELECTRONICS PART NO. BA41-00774A/00732A
CHECK	ZHENG, ROKY	DEV. STEP	SR			
APPROVAL	LEE, KEVIN	REV	1.0			
MODULE CODE		LAST EDIT				
			March 15, 2007 10:33:33 AM	PAGE 45 OF 54		

SAMSUNG PROPRIETARY
 THIS DOCUMENT CONTAINS CONFIDENTIAL
 PROPRIETARY INFORMATION THAT IS
 SAMSUNG ELECTRONICS CO.'S PROPERTY.
 DO NOT DISCLOSE TO OR DUPLICATE FOR OTHERS
 EXCEPT AS AUTHORIZED BY SAMSUNG.

DDR2 Power

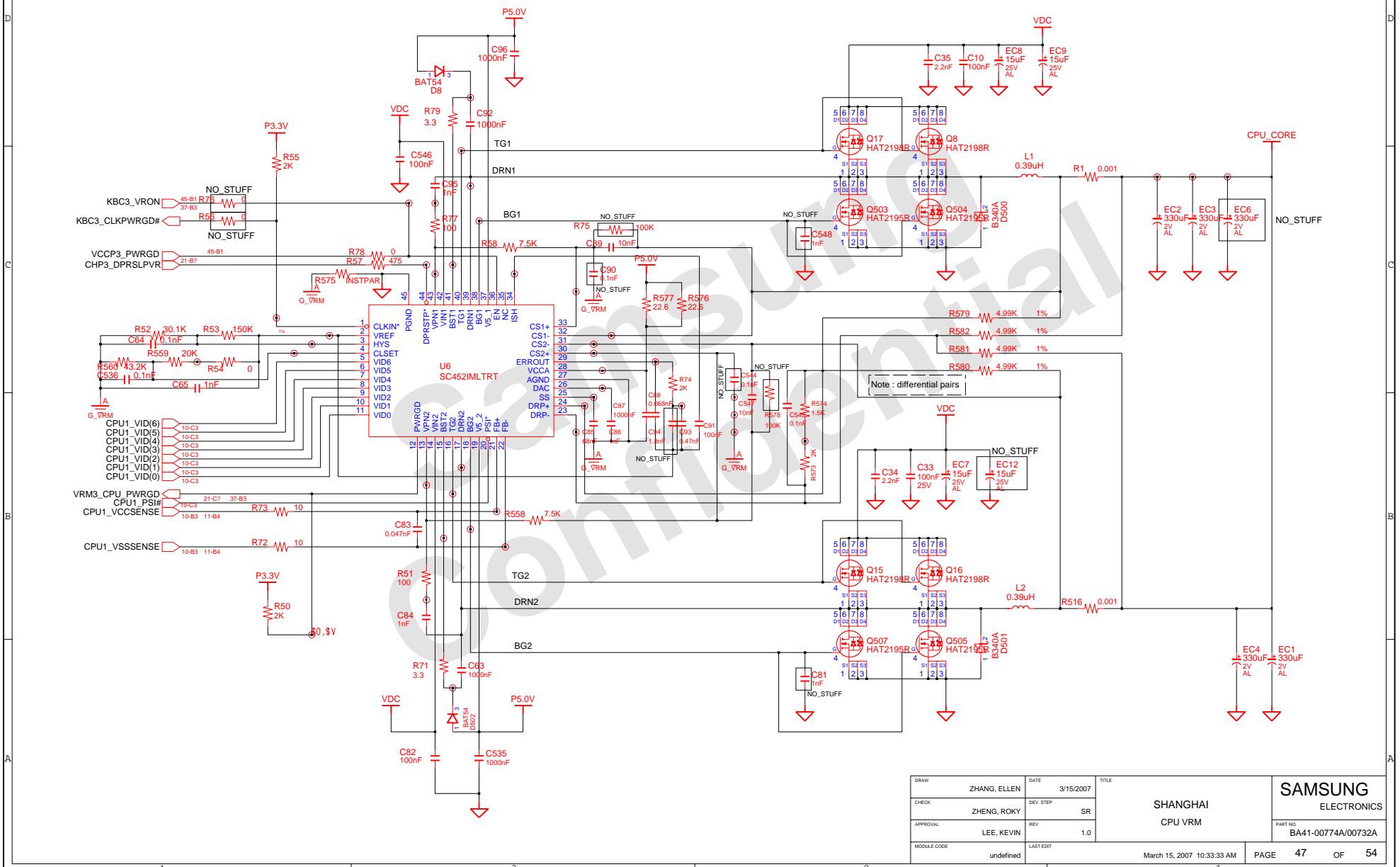


DRAW	ZHANG, ELLEN	DATE	3/15/2007	TITLE	SAMSUNG ELECTRONICS SHANGHAI DDR2 POWER PART NO. BA41-00774A/00732A	
CHECK	ZHENG, ROKY	DEV. STEP	SR			
APPROVAL	LEE, KEVIN	REV	1.0			
MODULE CODE	undefined	LAST EDIT	March 15, 2007 10:33:33 AM	PAGE		46 OF 54

SAMSUNG PROPRIETARY

THIS DOCUMENT CONTAINS CONFIDENTIAL PROPRIETARY INFORMATION THAT IS SAMSUNG ELECTRONICS CO.'S PROPERTY. DO NOT DISCLOSE TO OR DUPLICATE FOR OTHERS EXCEPT AS AUTHORIZED BY SAMSUNG.

CPU VRM [SEMTECH]

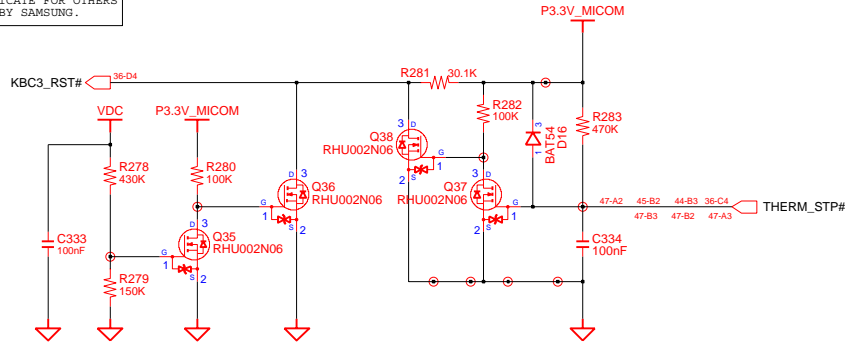


DRAW	ZHANG, ELLEN	DATE	3/15/2007	TITLE	SHANGHAI CPU VRM	SAMSUNG ELECTRONICS
CHECK	ZHENG, ROKY	DEV. STEP	SR			
APPROVAL	LEE, KEVIN	REV	1.0			
MODULE CODE	undefined	LAST EDIT	March 15, 2007 10:33:33 AM	PAGE 47 OF 54		
PART NO. BA41-00774A/00732A						

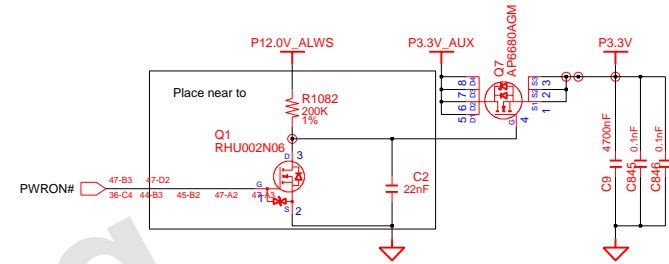
SAMSUNG PROPRIETARY

THIS DOCUMENT CONTAINS CONFIDENTIAL PROPRIETARY INFORMATION THAT IS SAMSUNG ELECTRONICS CO.'S PROPERTY. DO NOT DISCLOSE TO OR DUPLICATE FOR OTHERS EXCEPT AS AUTHORIZED BY SAMSUNG.

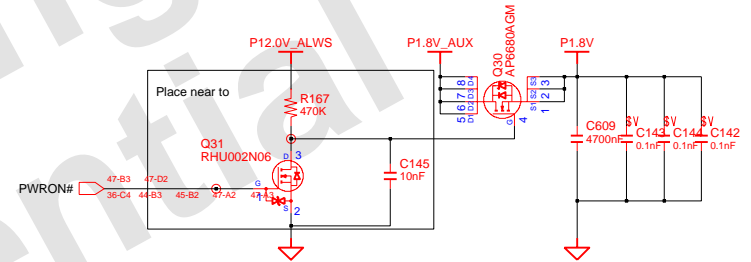
MICOM RESET



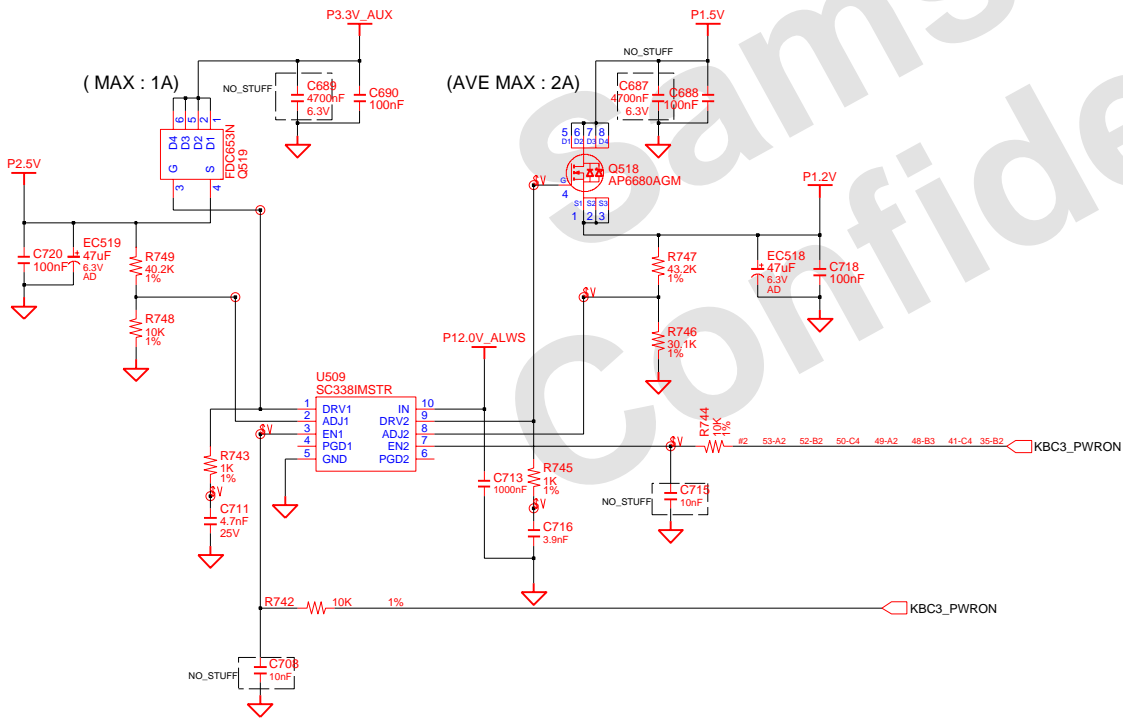
Switched Power On (P3.3V)



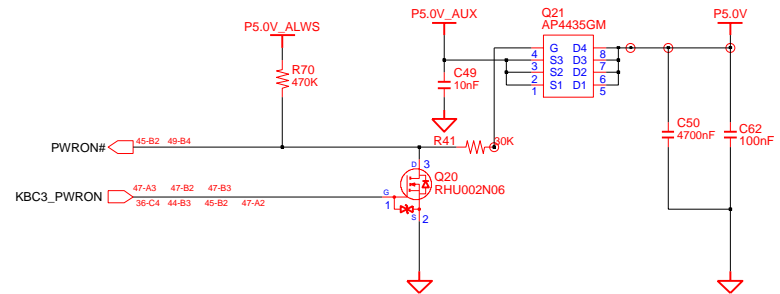
Switched Power On (1.8V)



P1.2V / P2.5V POWER



Switched Power On (P5V)

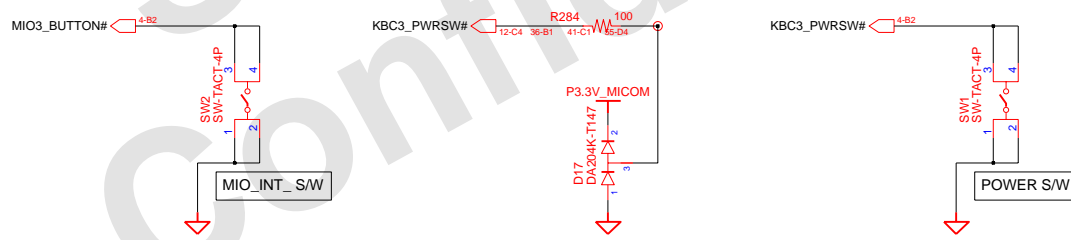
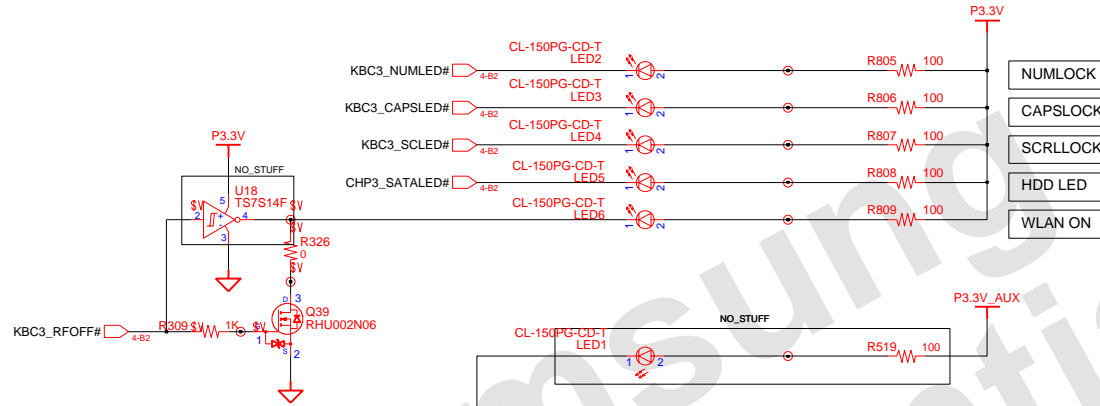


DRAW	ZHANG, ELLEN	DATE	3/15/2007	TITLE	SHANGHAI SWITCH POWER	SAMSUNG ELECTRONICS	
CHECK	ZHENG, ROKY	DEV. STEP	SR				
APPROVAL	LEE, KEVIN	REV	1.0				
MODULE CODE	undefined	LAST EDIT	March 15, 2007 10:33:33 AM	PAGE			48 OF 54

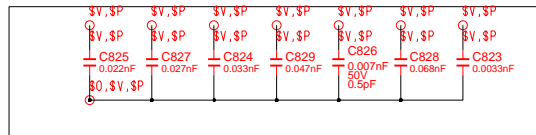
SAMSUNG PROPRIETARY

THIS DOCUMENT CONTAINS CONFIDENTIAL PROPRIETARY INFORMATION THAT IS SAMSUNG ELECTRONICS CO.'S PROPERTY. DO NOT DISCLOSE TO OR DUPLICATE FOR OTHERS EXCEPT AS AUTHORIZED BY SAMSUNG.

LED
0801-002195



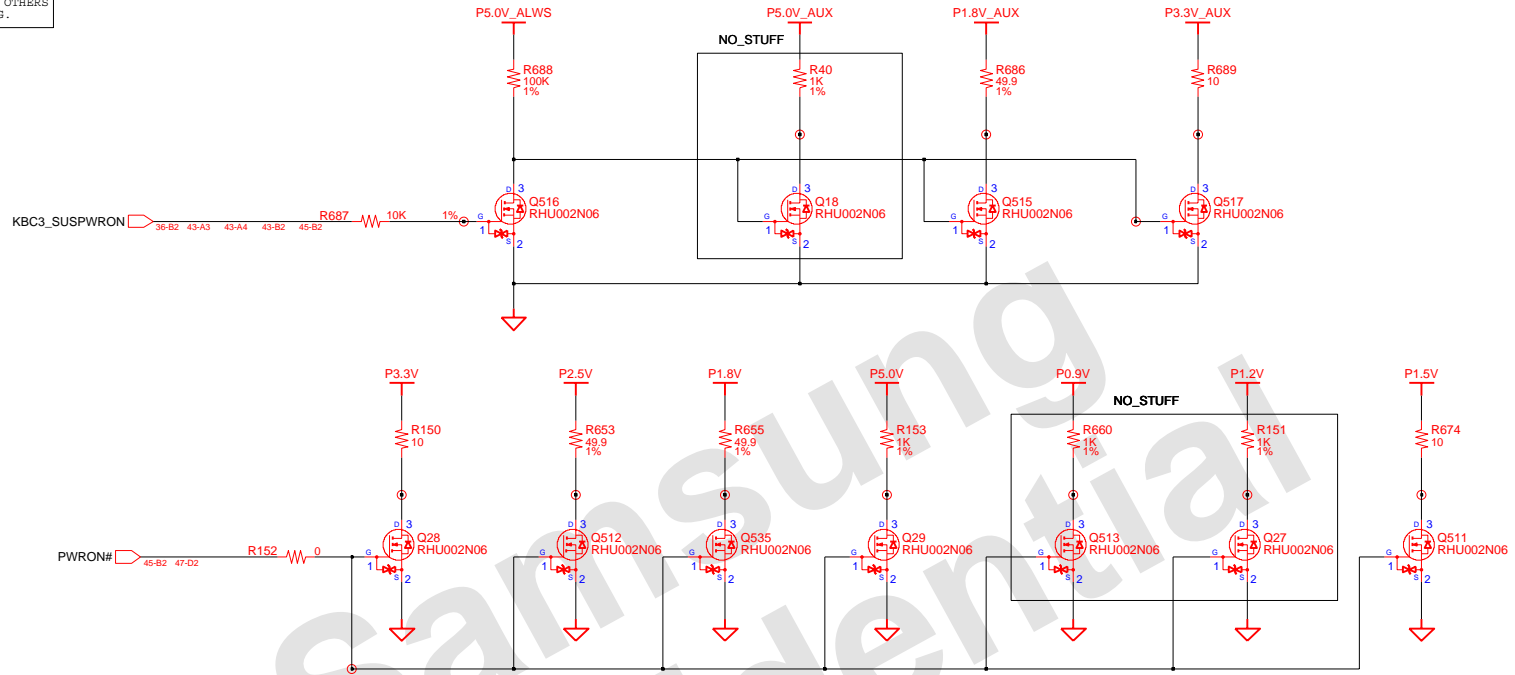
ON TOP



DRAW	ZHANG, ELLEN	DATE	3/15/2007	TITLE	SHANGHAI POWER SWITCH	SAMSUNG ELECTRONICS
CHECK	ZHENG, ROKY	DEV. STEP	SR			
APPROVAL	LEE, KEVIN	REV	1.0			PART NO. BA41-00774A/00732A
MODULE CODE	undefined	LAST EDIT	March 15, 2007 10:33:33 AM	PAGE	49	OF 54

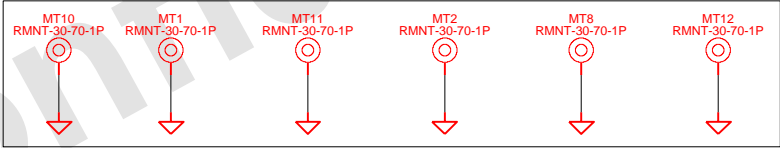
SAMSUNG PROPRIETARY

THIS DOCUMENT CONTAINS CONFIDENTIAL PROPRIETARY INFORMATION THAT IS SAMSUNG ELECTRONICS CO.'S PROPERTY. DO NOT DISCLOSE TO OR DUPLICATE FOR OTHERS EXCEPT AS AUTHORIZED BY SAMSUNG.



BT

System

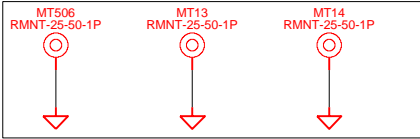
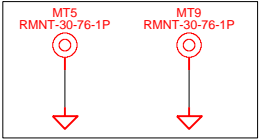
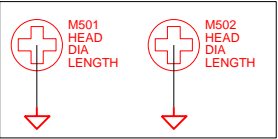
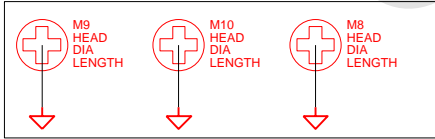


DMB

MDC

KBD

Bott with Mainboard



DRAW	ZHANG, ELLEN	DATE	3/15/2007	TITLE	SHANGHAI POWER STRAPS	SAMSUNG ELECTRONICS PART NO. BA41-00774A/00732A
CHECK	ZHENG, ROKY	DEV. STEP	SR			
APPROVAL	LEE, KEVIN	REV	1.0			
MODULE CODE	undefined	LAST EDIT	March 15, 2007 10:33:33 AM	PAGE 50 OF 54		

SAMSUNG PROPRIETARY
 THIS DOCUMENT CONTAINS CONFIDENTIAL
 PROPRIETARY INFORMATION THAT IS
 SAMSUNG ELECTRONICS CO.'S PROPERTY.
 DO NOT DISCLOSE TO OR DUPLICATE FOR OTHERS
 EXCEPT AS AUTHORIZED BY SAMSUNG.

TP2020 CPU1_TDI
 TP2021 CPU1_TMS
 TP2022 PCI3_PAR
 TP2024 SMB3_CLK
 TP2025 SPI3_CLK
 TP2026 SPI3_CS#

TP1968 CPU1_A20M#

TP1971 CPU1_BSEL0
 TP1972 CPU1_BSEL1
 TP1973 CPU1_BSEL2

TP1939 PCI3_CBE#
 TP1940 PCI3_CBE1#
 TP1941 PCI3_CBE2#
 TP1942 PCI3_CBE3#
 TP1943 PCI3_GNT1#

TP1945 PCI3_IRDY#
 TP1946 PCI3_PERR#
 TP1947 PCI3_REQ1#

TP1915 PCI3_SERR#
 TP1916 PCI3_STOP#
 TP1917 PCI3_TRDY#

TP1888 KBC5_KSO(0)
 TP1889 KBC5_KSO(1)
 TP1890 KBC5_KSO(2)
 TP1891 KBC5_KSO(3)
 TP1892 KBC5_KSO(4)
 TP1893 KBC5_KSO(5)
 TP1894 KBC5_KSO(6)
 TP1895 KBC5_KSO(7)
 TP1896 KBC5_KSO(8)
 TP1897 KBC5_KSO(9)

TP1898 LCD3_EKLTION
 TP1899 LPC3_LAD(0)
 TP1900 LPC3_LAD(1)
 TP1869 LPC3_LAD(2)
 TP1870 LPC3_LAD(3)
 TP1871 MCD3_MSINS#

TP2002 CHP3_SPKR

TP2007 CPU1_PSI#

TP2011 CPU1_SLP#

TP2013 IDE5_CS1#
 TP2014 IDE5_CS3#

TP1950 CPU1_TRST#
 TP1951 EXP3_CPPE#

TP1918 PEX3_WAKE#
 TP1919 PLT3_RST#

TP1952 IDE5_DACK#
 TP1953 IDE5_IORDY
 TP1954 JCK_SENS_A
 TP1955 KBC3_CHGEN
 TP1956 KBC3_SMLCLK
 TP1957 KBC5_TDATA

TP1920 OT_L_BUTTON
 TP1921 OT_R_BUTTON
 TP1922 VGA3_HSYNC
 TP1923 VGA3_VSYNC
 TP1924 BAT3_SMLCLK#

TP1980 IDE5_DREQ
 TP1981 IDE5_IOR#
 TP1982 IDE5_IOW#
 TP1983 KBC3_A20#
 TP1984 KBC3_RST#
 TP1985 KBC3_VRON
 TP1986 KBC5_TCLK

TP1958 LCD3_VDDEN
 TP1959 MCD3_SDCDF
 TP1960 MCD3_XDALE
 TP1961 MCD3_XDCDF#
 TP1962 MCD3_XDCE#
 TP1963 MCD3_XDRE#
 TP1964 MCD3_XDWE#

TP1911 CHP3_SERIRQ
 TP1912 CHP3_SLPS3#
 TP1913 CHP3_SLPS5#

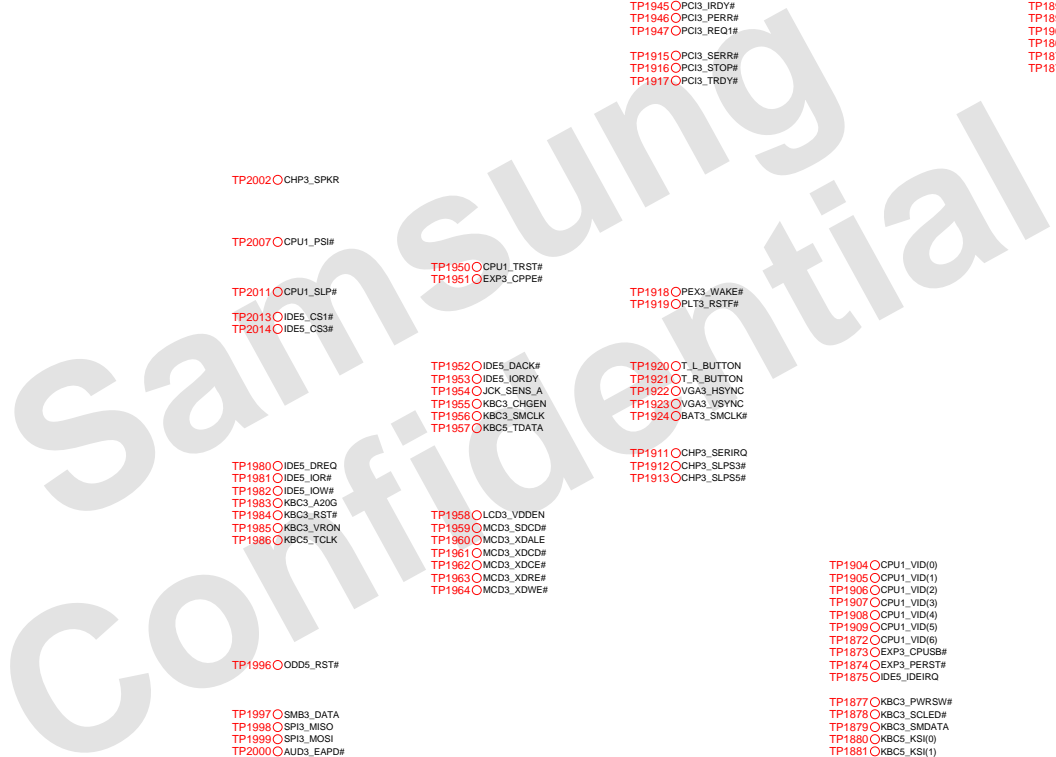
TP1904 CPU1_VID(0)
 TP1905 CPU1_VID(1)
 TP1906 CPU1_VID(2)
 TP1907 CPU1_VID(3)
 TP1908 CPU1_VID(4)
 TP1909 CPU1_VID(5)
 TP1872 CPU1_VID(6)
 TP1873 EXP3_CPUSB#
 TP1874 EXP3_PERST#
 TP1875 IDE5_IDEIRQ

TP1996 ODD5_RST#

TP1997 SMB3_DATA
 TP1998 SPI3_MISO
 TP1999 SPI3_MOSI
 TP2000 AUD3_EAPD#

TP1877 KBC3_PWRSW#
 TP1878 KBC3_SCLE#
 TP1879 KBC3_SMDATA
 TP1880 KBC5_KSI(0)
 TP1881 KBC5_KSI(1)
 TP1882 KBC5_KSI(2)
 TP1883 KBC5_KSI(3)
 TP1884 KBC5_KSI(4)
 TP1885 KBC5_KSI(5)
 TP1886 KBC5_KSI(6)
 TP1887 KBC5_KSI(7)

TP2018 CPU1_NMI
 TP2019 CPU1_TCK



DRAW	ZHANG, ELLEN	DATE	3/15/2007	TITLE	SHANGHAI TP	SAMSUNG ELECTRONICS PART NO. BA41-00774A/00732A
CHECK	ZHENG, ROKY	DEV. STEP	SR			
APPROVAL	LEE, KEVIN	REV	1.0			
MODULE CODE		LAST EDIT	March 15, 2007 10:33:33 AM	PAGE 51 OF 54		

SAMSUNG PROPRIETARY

THIS DOCUMENT CONTAINS CONFIDENTIAL PROPRIETARY INFORMATION THAT IS SAMSUNG ELECTRONICS CO.'S PROPERTY. DO NOT DISCLOSE TO OR DUPLICATE FOR OTHERS EXCEPT AS AUTHORIZED BY SAMSUNG.

- TP2195 ○ CHP3_DPRSPLVR
- TP2196 ○ CHP3_SATALED#
- TP2129 ○ G_DDR
- TP2130 ○ G_DDR
- TP2198 ○ CPU1_PWRGDCPU
- TP2199 ○ CPU1_VCCSENSE
- TP2200 ○ CPU1_VSSSENSE
- TP2201 ○ JCK_SENS_MICH
- TP2246 ○ KBC3_CAPSLED#
- TP2203 ○ KBC3_WAKESCIF#
- TP2204 ○ LCD3_BKLTCTRL
- TP2205 ○ LCD3_EDID_CLK
- TP2132 ○ G_P3.3V
- TP2133 ○ G_P3.3V
- TP2134 ○ G_P3.3V
- TP2135 ○ G_P3.3V
- TP2136 ○ LCD_VDD3V
- TP2137 ○ LCD_VDD3V
- TP2088 ○ P5.0V_ALWS
- TP2089 ○ P5.0V_ALWS
- TP2090 ○ P5.0V_ALWS
- TP2091 ○ P5.0V_ALWS
- TP2092 ○ P12.0V_ALWS
- TP2093 ○ P12.0V_ALWS
- TP2032 ○ P12.0V_ALWS
- TP2033 ○ P12.0V_ALWS
- TP2035 ○ P3.3V_AUX_EXP
- TP2037 ○ P3.3V_AUX_EXP
- TP2038 ○ VDC
- TP2039 ○ VDC
- TP2040 ○ VDC
- TP2041 ○ VDC
- TP2046 ○ VDC_INV
- TP2047 ○ VDC_INV
- TP2050 ○ VDD_AMP
- TP2051 ○ VDD_AMP
- TP2052 ○ VDD_AMP
- TP2053 ○ VDD_AMP
- TP2054 ○ VDD_AUD
- TP2055 ○ VDD_AUD
- TP2056 ○ VDD_AUD
- TP2057 ○ VDD_AUD
- TP2058 ○ VCCP_CORE
- TP2059 ○ VCCP_CORE
- TP2060 ○ VCCP_CORE
- TP2061 ○ VCCP_CORE
- TP2142 ○ LDO_P5.4V
- TP2143 ○ LDO_P5.4V
- TP2146 ○ MEM1_VREF
- TP2147 ○ MEM1_VREF
- TP2148 ○ P0.9V
- TP2149 ○ P0.9V
- TP2150 ○ P0.9V
- TP2151 ○ P0.9V
- TP2152 ○ P1.2V
- TP2153 ○ P1.2V
- TP2154 ○ P1.2V
- TP2155 ○ P1.2V
- TP2156 ○ P1.5V
- TP2157 ○ P1.5V
- TP2094 ○ P1.5V
- TP2095 ○ P1.5V
- TP2096 ○ P1.8V
- TP2097 ○ P1.8V
- TP2098 ○ P1.8V
- TP2099 ○ P1.8V
- TP2103 ○ PRTC_BAT
- TP2188 ○ CHP3_AZ_AUD_SDO
- TP2189 ○ CHP3_AZ_MDC_SDO
- TP2192 ○ KBC3_LED_POWER#
- TP2158 ○ CHP3_AZ_AUD_RST#
- TP2159 ○ CHP3_SBTHRMTRIP#
- TP2162 ○ KBC3_LED_CHARGE#
- TP2163 ○ KBC3_THERM_SMCLK
- TP2164 ○ KBC3_THERM_SMDATA
- TP2109 ○ P1.5V_EXP
- TP2110 ○ P1.5V_EXP
- TP2111 ○ P1.5V_EXP
- TP2112 ○ P1.8V_AUX
- TP2113 ○ P1.8V_AUX
- TP2114 ○ P1.8V_AUX
- TP2115 ○ P1.8V_AUX
- TP2116 ○ P2.5V_LAN
- TP2117 ○ P2.5V_LAN
- TP2118 ○ P2.5V_LAN
- TP2119 ○ P2.5V_LAN
- TP2123 ○ P2.5V_MCD
- TP2124 ○ P3.3V_AUX
- TP2125 ○ P3.3V_AUX
- TP2062 ○ P3.3V_AUX
- TP2063 ○ P3.3V_AUX
- TP2065 ○ P3.3V_EXP
- TP2066 ○ P3.3V_EXP
- TP2169 ○ CHG_REF
- TP2170 ○ G_AUD
- TP2171 ○ G_AUD
- TP2172 ○ G_AUD
- TP2173 ○ G_AUD
- TP2174 ○ G_CHG
- TP2175 ○ G_CHG
- TP2176 ○ G_CHG
- TP2177 ○ G_CHG
- TP2068 ○ P3.3V_MCD
- TP2069 ○ P3.3V_MCD
- TP2070 ○ P3.3V_MCD
- TP2071 ○ P3.3V_MCD
- TP2072 ○ P5.0V_AUD
- TP2074 ○ P5.0V_AUD
- TP2075 ○ P5.0V_AUD
- TP2076 ○ P5.0V_AUD
- TP2077 ○ P5.0V_AUD

- TP2233 ○ PCI3_FRAME#
- TP2235 ○ VCCP3_PWRGD
- TP2236 ○ AUD3_PCBEEP#
- TP2237 ○ BAT3_DETECT#
- TP2238 ○ BAT3_SMDATA#
- TP2239 ○ CHP3_AZ_SDI0
- TP2240 ○ CHP3_BIOSWP#
- TP2241 ○ CHP3_CPUSTP#

- TP2224 ○ EXP3_CLKREQ#
- TP2225 ○ ITP3_SYSTRST#
- TP2226 ○ JCK_SENS_HP#
- TP2227 ○ KBC3_CPURST#
- TP2228 ○ KBC3_EXTSMI#
- TP2229 ○ KBC3_FANCTRL
- TP2230 ○ KBC3_NBPWRGD
- TP2231 ○ KBC3_NUMLED#
- TP2232 ○ KBC3_PWRBTN#
- TP2207 ○ KBC3_RSMRST#
- TP2208 ○ KBC3_RUNS#
- TP2209 ○ KBC3_SBPWRGD
- TP2210 ○ KBC5_KSO(10)
- TP2211 ○ KBC5_KSO(11)
- TP2212 ○ KBC5_KSO(12)
- TP2213 ○ KBC5_KSO(13)
- TP2214 ○ KBC5_KSO(14)
- TP2215 ○ KBC5_KSO(15)

- TP2216 ○ LID3_SWITCH#
- TP2217 ○ LPC3_LFRAME#

- TP2193 ○ PCI3_CLKRUN#
- TP2194 ○ PCI3_DEVSSEL#

REV1
1 ○
2 ○ 03

PCB REVISION CONTROL (ICT)				
NO	CONNECTION	DATE(Y/M/D)	REVISION	STEP
1	N.C.			
2	1-2			
3	2-3			
4	3-1			
5	1-2-3			
6	N.C.			
7	1-2			
8	2-3			
9	3-1			
10	1-2-3			

DRAW	ZHANG, ELLEN	DATE	3/15/2007	TITLE	SHANGHAI TP	SAMSUNG ELECTRONICS
CHECK	ZHENG, ROKY	DEV. STEP	SR			
APPROVAL	LEE, KEVIN	REV	1.0			
MODULE CODE		LAST EDIT	March 15, 2007 10:33:33 AM	PAGE 52 OF 54		

SAMSUNG PROPRIETARY

THIS DOCUMENT CONTAINS CONFIDENTIAL PROPRIETARY INFORMATION THAT IS SAMSUNG ELECTRONICS CO.'S PROPERTY. DO NOT DISCLOSE TO OR DUPLICATE FOR OTHERS EXCEPT AS AUTHORIZED BY SAMSUNG.

TP2797 **AV** AUD5_SPK+
 TP2798 **AV** AUD5_SPK-
 TP2799 **AV** CHP3_SATACLKREQ#
 TP2800 **AV** CHP3_SLP5#
 TP2801 **AV** CHP3_SMLINK0
 TP2802 **AV** CHP3_SMLINK1
 TP2792 **AV** CLK3_DBGLPC
 TP2793 **AV** CLK3_PCLKICH
 TP2794 **AV** CLK3_PCLKLAN
 TP2795 **AV** CLK3_SMBCLK
 TP2796 **AV** CLK3_SMBDATA
 TP2790 **AV** CPU2_THERMDA
 TP2791 **AV** CPU2_THERMDC
 TP2784 **AV** SPI01
 TP2785 **AV** LIM3
 TP2786 **AV** LIM5
 TP2787 **AV** KBC3_BKLTON
 TP2788 **AV** KBC3_CAPSLED#
 TP2789 **AV** KBC3_PWRON
 TP2775 **AV** LCD3_BKLTEN
 TP2776 **AV** LCD3_EDID_C
 TP2777 **AV** LCD3_EDID_D
 TP2778 **AV** MCH1_HXSWING
 TP2779 **AV** MCH1_HYSWING
 TP2780 **AV** MCH3_BMBUSY#
 TP2781 **AV** MCH3_CLKREQ#
 TP2782 **AV** MCH3_EXTTSS#
 TP2783 **AV** MCH3_IHSYNCS#
 TP2735 **AV** MIC1
 TP2736 **AV** MIC2
 TP2737 **AV** MINIPIC3_CLKREQ#

Samsung
Confidential

DRAW	ZHANG, ELLEN	DATE	3/15/2007	TITLE	SHANGHAI	SAMSUNG ELECTRONICS
CHECK	ZHENG, ROKY	DEV. STEP	SR	TP		
APPROVAL	LEE, KEVIN	REV	1.0			PART NO. BA41-00774A/00732A
MODULE CODE		LAST EDIT	March 15, 2007 10:33:33 AM	PAGE	53	OF 54

SAMSUNG PROPRIETARY

THIS DOCUMENT CONTAINS CONFIDENTIAL PROPRIETARY INFORMATION THAT IS SAMSUNG ELECTRONICS CO.'S PROPERTY. DO NOT DISCLOSE TO OR DUPLICATE FOR OTHERS EXCEPT AS AUTHORIZED BY SAMSUNG.

TP2755 PCB_INTA#
 TP2756 PCB_INTB#
 TP2757 PCB_INTC#
 TP2758 PCB_INTD#
 TP2759 PCB_INTE#
 TP2760 PCB_INTF#
 TP2761 PCB_INTG#
 TP2762 PCB_INTH#
 TP2763 PCB_PLOCK#
 TP2764 PCB_REQ0#
 TP2765 PCB_REQ2#
 TP2753 PCB_REQ3#
 TP2754 PCB_RST#

TP2752 MLT3_RST#

TP2740 SMB3_ALERT#
 TP2741 SMB3_LINKALERT#

TP2751 VGA3_BLUE
 TP2750 VGA3_DDCLK
 TP2749 VGA3_DDCDATA
 TP2748 VGA3_GREEN
 TP2747 VGA3_RED
 TP2746 SFX_CORE
 TP2745 SFX_CORE
 TP2744 SFX_CORE
 TP2743 SFX_CORE
 TP2742 S_EGFX
 TP2739 S_EGFX
 TP2738 S_EGFX
 TP2766 S_EGFX
 TP2767 P1.5V_PCIE
 TP2768 P1.5V_PCIE
 TP2769 P1.5V_PCIE
 TP2770 P1.5V_PCIE
 TP2771 P2.5V
 TP2772 P2.5V
 TP2773 P2.5V
 TP2774 P2.5V

Samsung
 Confidential

DRAW	ZHANG, ELLEN	DATE	3/15/2007	TITLE	SHANGHAI TP	SAMSUNG ELECTRONICS
CHECK	ZHENG, ROKY	DEV. STEP	SR			
APPROVAL	LEE, KEVIN	REV	1.0			
MODULE CODE		LAST EDIT	March 15, 2007 10:33:33 AM	PAGE 54 OF 54		