

TABLE OF CONTENTS

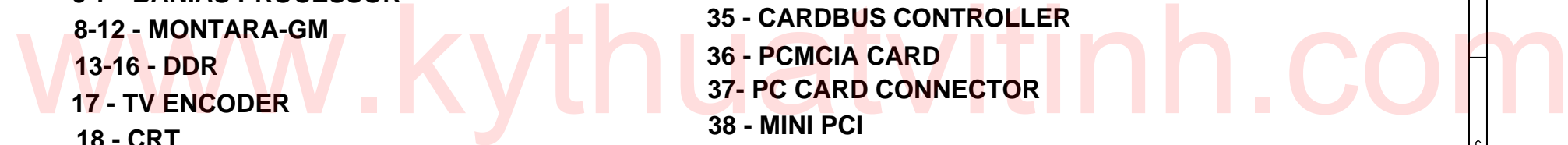
Revisions			Approvals			
REV	ECN NO.	Description Of Change	DATE	DFTG.	ENGR.	REL.

PAGE

- 4 - CLOCK GENERATOR**
- 5-7 - BANIAS PROCESSOR**
- 8-12 - MONTARA-GM**
- 13-16 - DDR**
- 17 - TV ENCODER**
- 18 - CRT**
- 19 - LVDS**
- 21-23- ICH4-M**
- 24 - HDD CONNECTOR**
- 25 - CD-ROM CONNECTOR**
- 26 - USB PORT**
- 27 - LAN CONTROLLER**
- 28 - LAN POWER**
- 29- RJ45 CONN**
- 30- CHIVAS II**
- 31 - FLASH ROM & IR**
- 32- 1394 CONTROLLER**

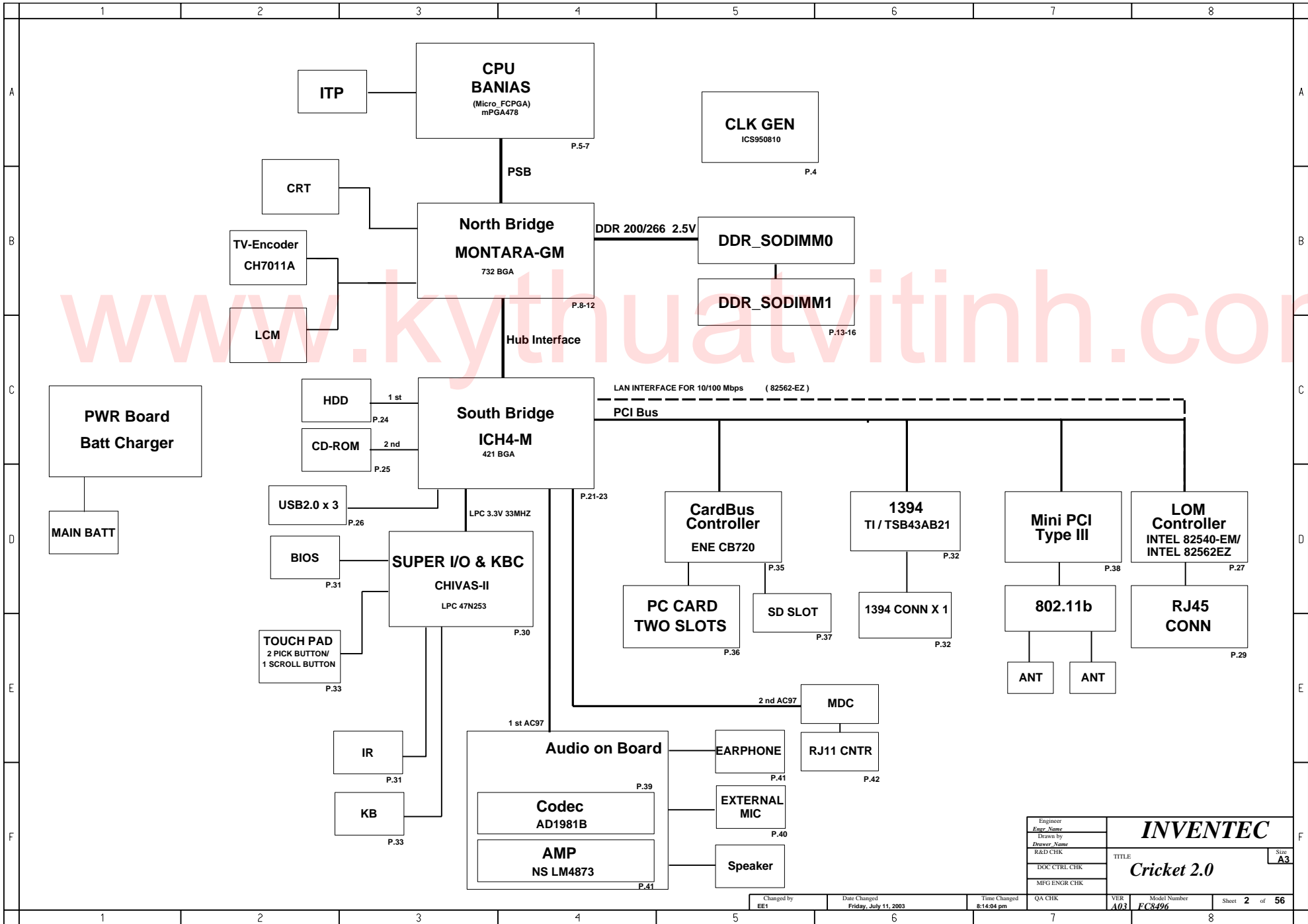
PAGE

- 33- KEYBOARD CONNECTOR & TOUCH PAD**
- 34 - LID SWITCH/LEDS**
- 35 - CARDBUS CONTROLLER**
- 36 - PCMCIA CARD**
- 37- PC CARD CONNECTOR**
- 38 - MINI PCI**
- 39 - AC97 CODEC**
- 40 - VR & MIC JACK**
- 41 - AMP**
- 42- MDC I/F**
- 43 - THERMAL SENSOR & FAN CONTROLLER**
- 44 - DECOUPLING CAPS**
- 45 - DRILL HOLE**
- 46 - HIGH SPEED**
- 47 - PULL UPS**
- 48-56 - POWER**



Engineer <i>Engr Name</i> Drawn by <i>Drawer Name</i> R&D CHK DOC CTRL CHK MFG ENGR CHK	INVENTEC TITLE Cricket 2.0 Size A3
---	--

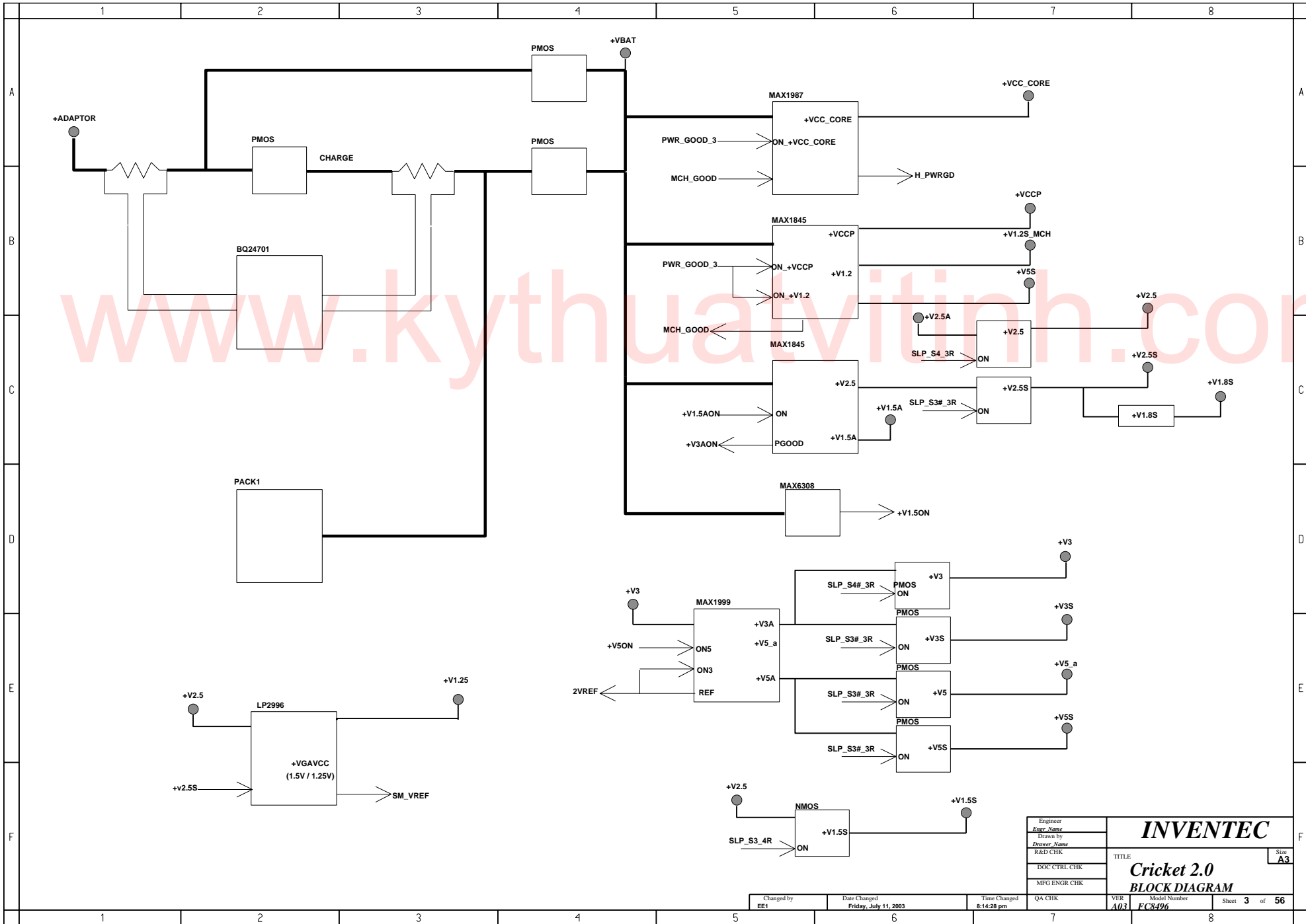
Changed by EE1	Date Changed Friday, July 11, 2003	Time Changed 8:13:36 pm	QA CHK	VER A03	Model Number FC8496	Sheet 1 of 56
--------------------------	--	-----------------------------------	--------	-------------------	-------------------------------	-----------------------------



www.kythuatvithinh.com

Engineer		INVENTEC	Size A3
Engr Name			
Drawn by			
Drawn Name			
R&D CHK			
TITLE	Cricket 2.0		
DOC CTRL CHK			
MFG ENGR CHK			

Changed by	Date Changed	Time Changed	QA CHK	VER	Model Number	Sheet	of	56
EE1	Friday, July 11, 2003	8:14:04 pm		A03	FC8496	2		



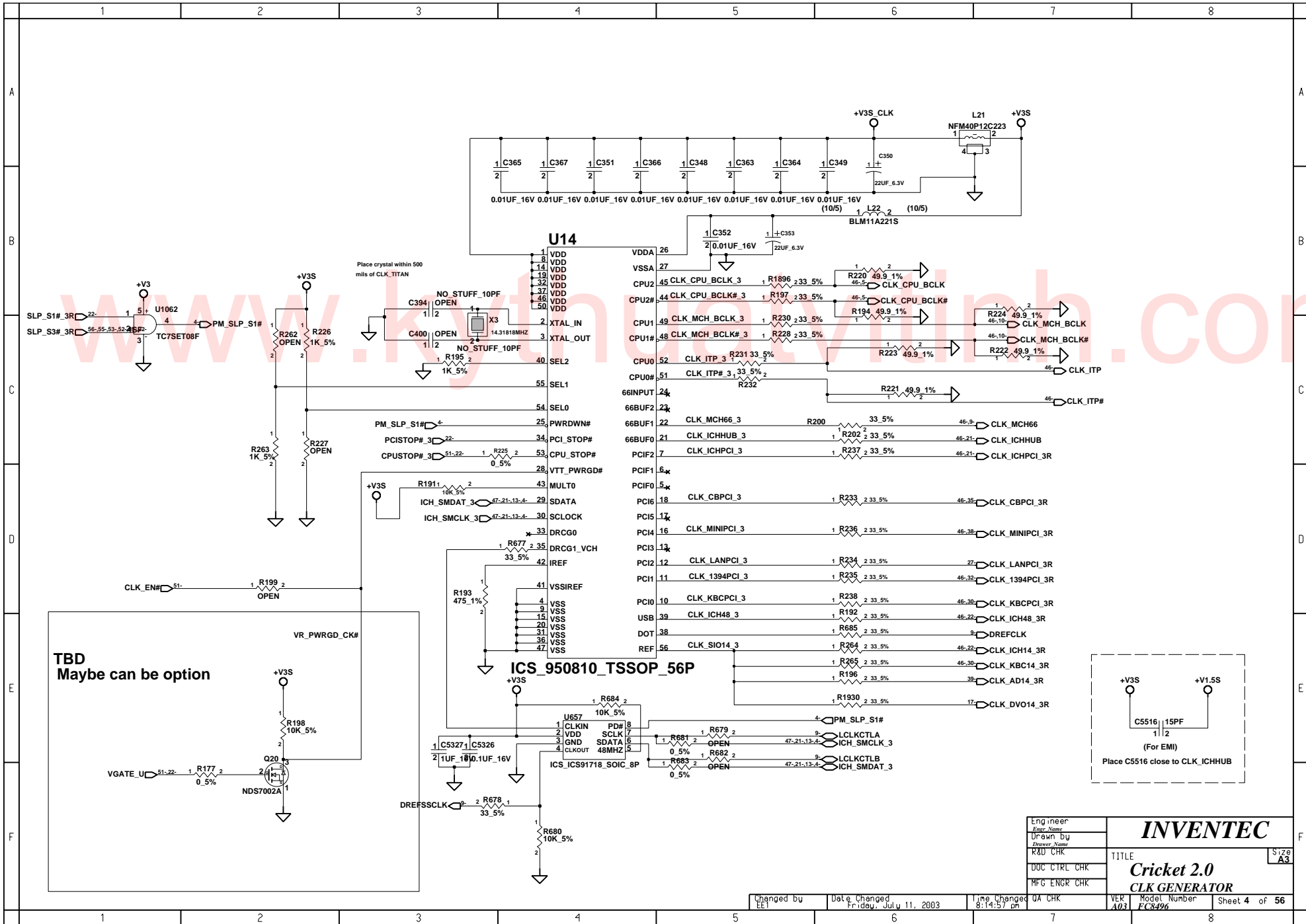
Engineer	
Engr Name	
Drawn by	
Drawer Name	
R&D CHK	
DOC CTRL CHK	
MFG ENGR CHK	

INVENTEC

TITLE: **Cricket 2.0**
BLOCK DIAGRAM

Size: **A3**

Changed by	Date Changed	Time Changed	QA CHK	VER	Model Number	Sheet	of	56
EE1	Friday, July 11, 2003	8:14:28 pm		A03	FC8496	3		

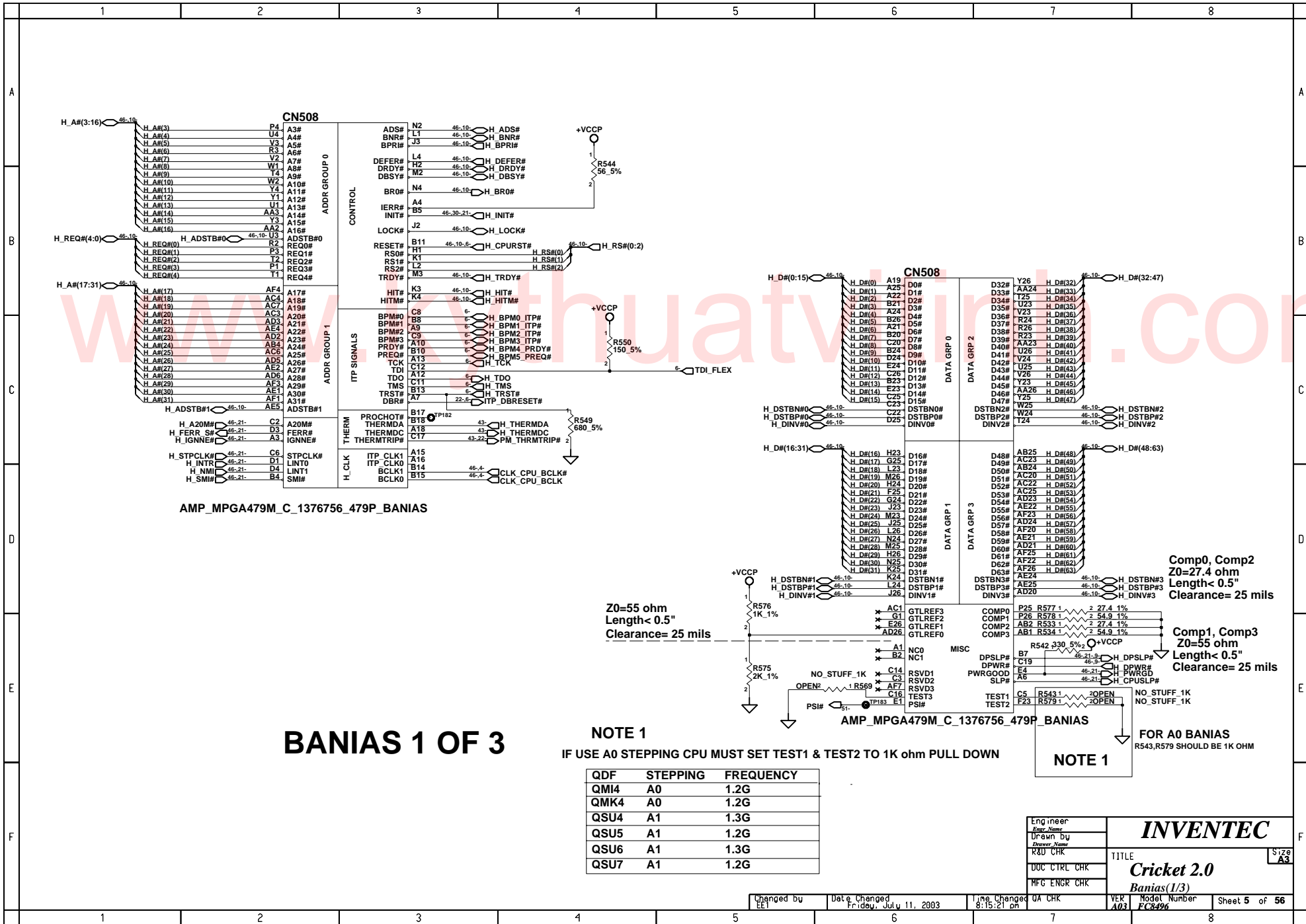


TBD
Maybe can be option

+V3S +V1.5S
C5516 | 15PF
1 | 2
(For EMI)
Place C5516 close to CLK_ICHHUB

Enginner		INVENTEC	S178 A3
Drawn By			
Checker			
TITLE	Model Number	Cricket 2.0	
DOC CTRL CHK	Model Number	CLK GENERATOR	
MFG ENGR CHK	Model Number	Sheet 4 of 56	

Changed by: EET
Date Changed: Friday, July 11, 2003
Time Changed: 8:14:57 pm



AMP_MPGA479M_C_1376756_479P_BANIAS

AMP_MPGA479M_C_1376756_479P_BANIAS

Z0=55 ohm
Length< 0.5"
Clearance= 25 mils

Comp0, Comp2
Z0=27.4 ohm
Length< 0.5"
Clearance= 25 mils

Comp1, Comp3
Z0=55 ohm
Length< 0.5"
Clearance= 25 mils

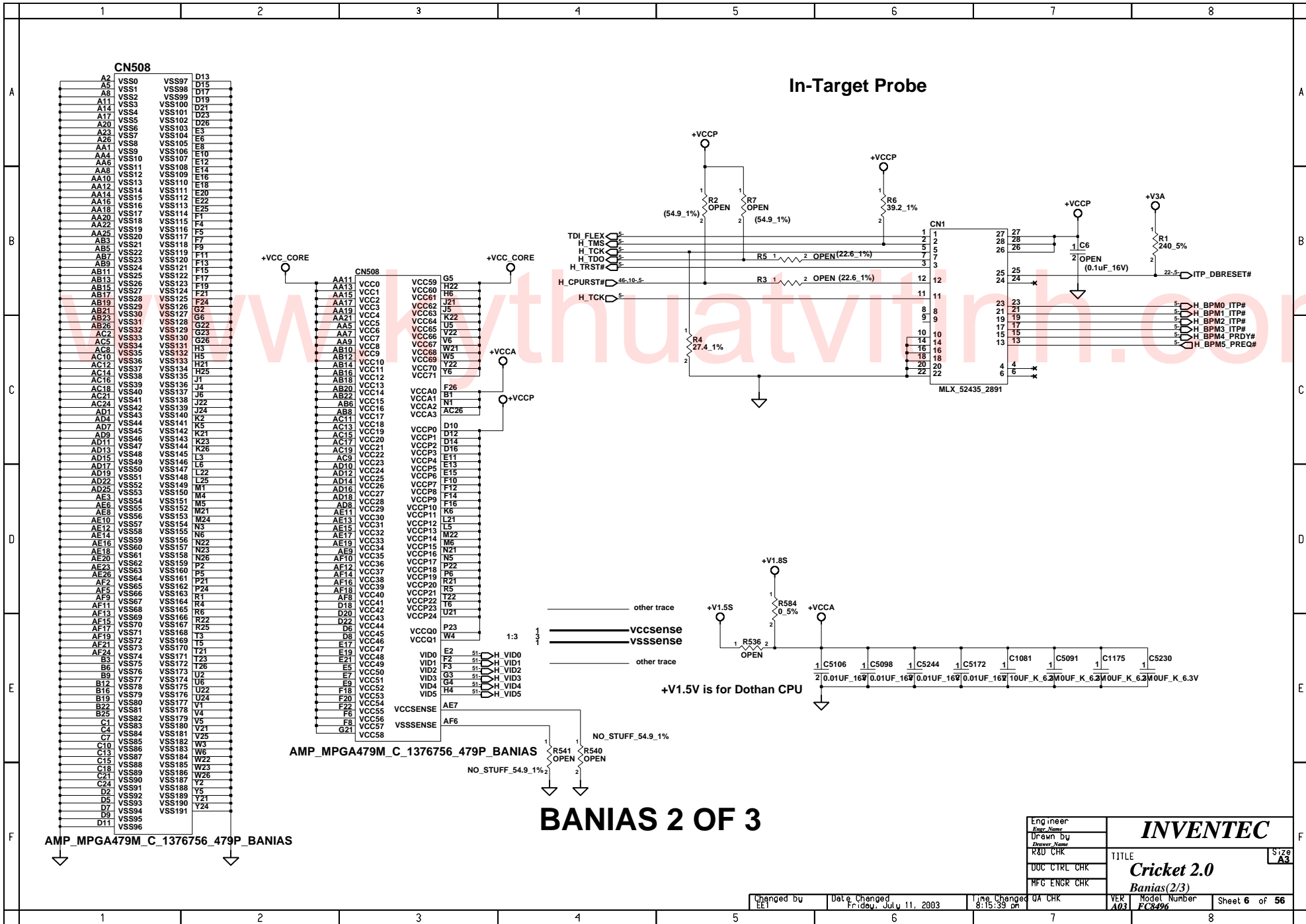
BANIAS 1 OF 3

NOTE 1
IF USE A0 STEPPING CPU MUST SET TEST1 & TEST2 TO 1K ohm PULL DOWN

QDF	STEPPING	FREQUENCY
QMI4	A0	1.2G
QMK4	A0	1.2G
QSU4	A1	1.3G
QSU5	A1	1.2G
QSU6	A1	1.3G
QSU7	A1	1.2G

NOTE 1

Eng ineer	
Drawn by	
Checker	
DATE	
INVENTEC	
TITLE	
Cricket 2.0	
Banias(1/3)	
Doc Ctrlr	
MFG ENGR	

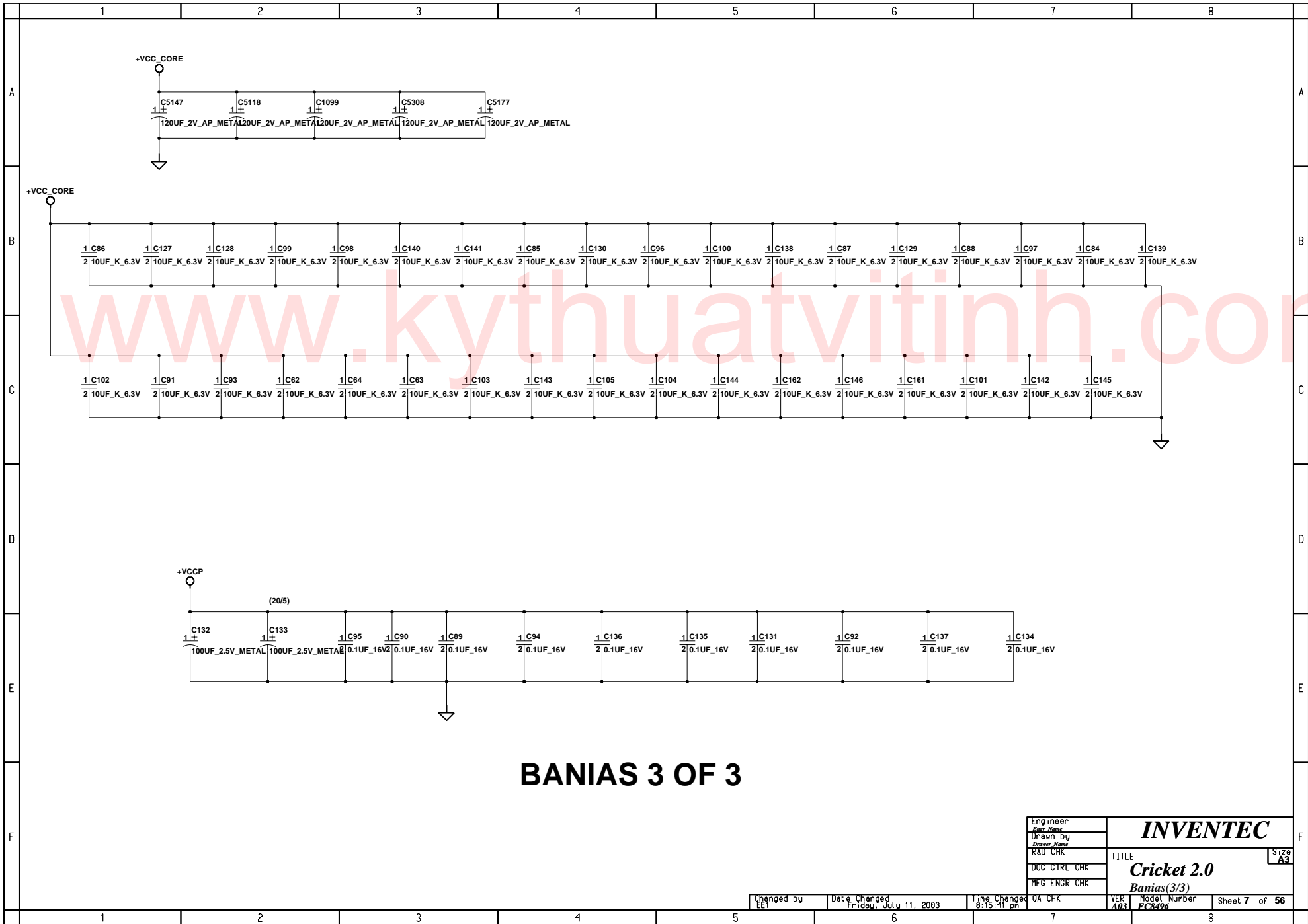


In-Target Probe

BANIAS 2 OF 3

Eng Ineer		INVENTEC	S178 A3
Drawn By			
DRG CTRL CHR			
Model Number	Cricket 2.0	Banias(2/3)	
Part Number	FC8496		

Changed by	Date Changed	Time Changed	UA CHR	VER	Model Number	Sheet 6 of 56
EE1	Friday, July 11, 2003	8:15:39 pm		A03	FC8496	



BANIAS 3 OF 3

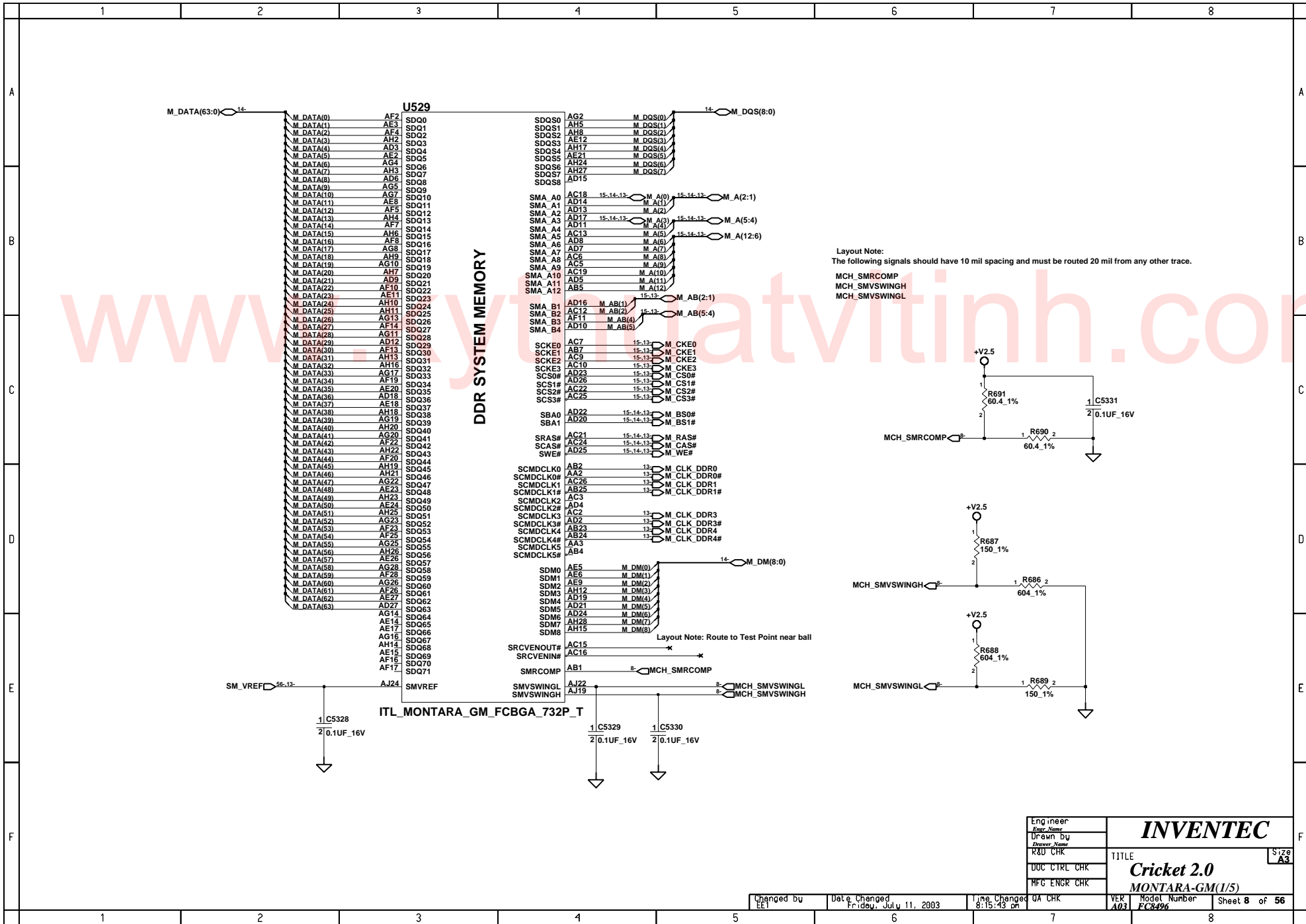
Engineer	
Drawn By	
Checked By	
DATE	
DOC CTRL	
MFG ENGR	
VER	A031
Model Number	PC8496
Sheet	7 of 56

INVENTEC

TITLE
Cricket 2.0
Banias(3/3)

Size
A3

Changed by	Date Changed	Time Changed	QA CHK
EE1	Friday, July 11, 2003	8:15:41 pm	



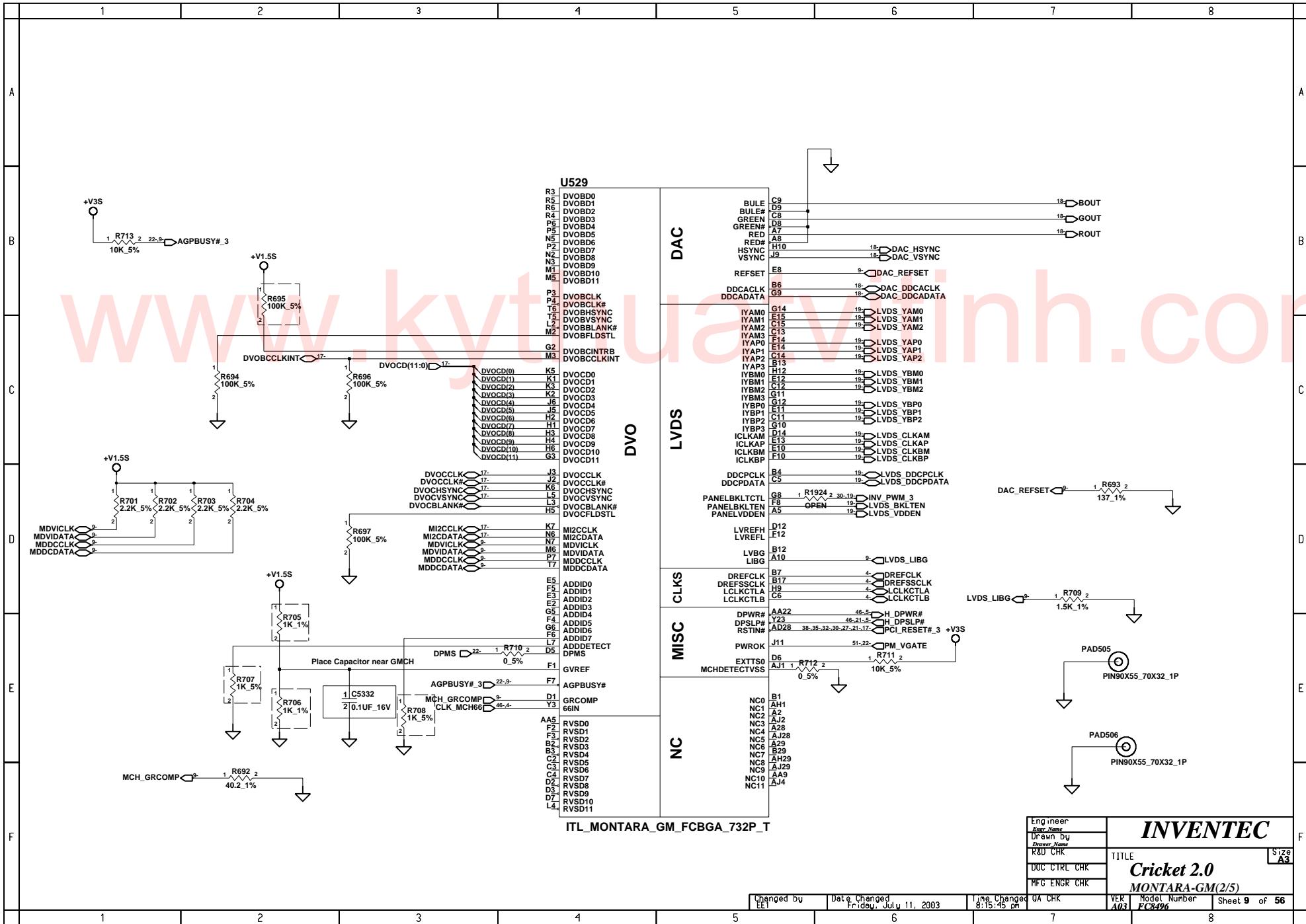
Eng Ineer	
Drawn By	
Checker	
Model Number	FC8496
Sheet 8 of 56	

Changed by	Date Changed	Time Changed	UA CHK	VER	Model Number	Sheet 8 of 56
EE1	Friday, July 11, 2003	8:15:43 pm		A03	FC8496	

INVENTEC

TITLE
Cricket 2.0

MONITORING UNIT (MCH)
MONITORING UNIT (MCH)



Eng Name		INVENTEC
Drawn By		
DRW	CHK	TITLE
DOC	CTRL	Cricket 2.0
HF	ENGR	MONTARA-GM(2/5)

A

B

C

D

E

F

A

B

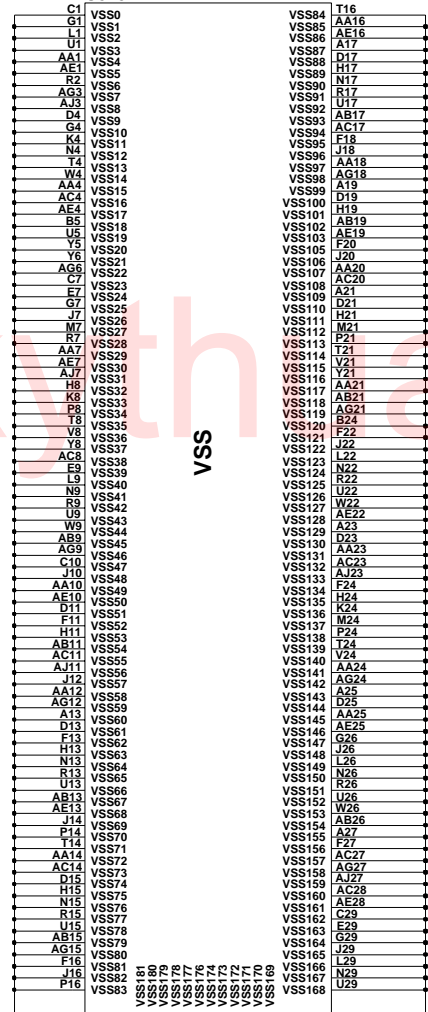
C

D

E

F

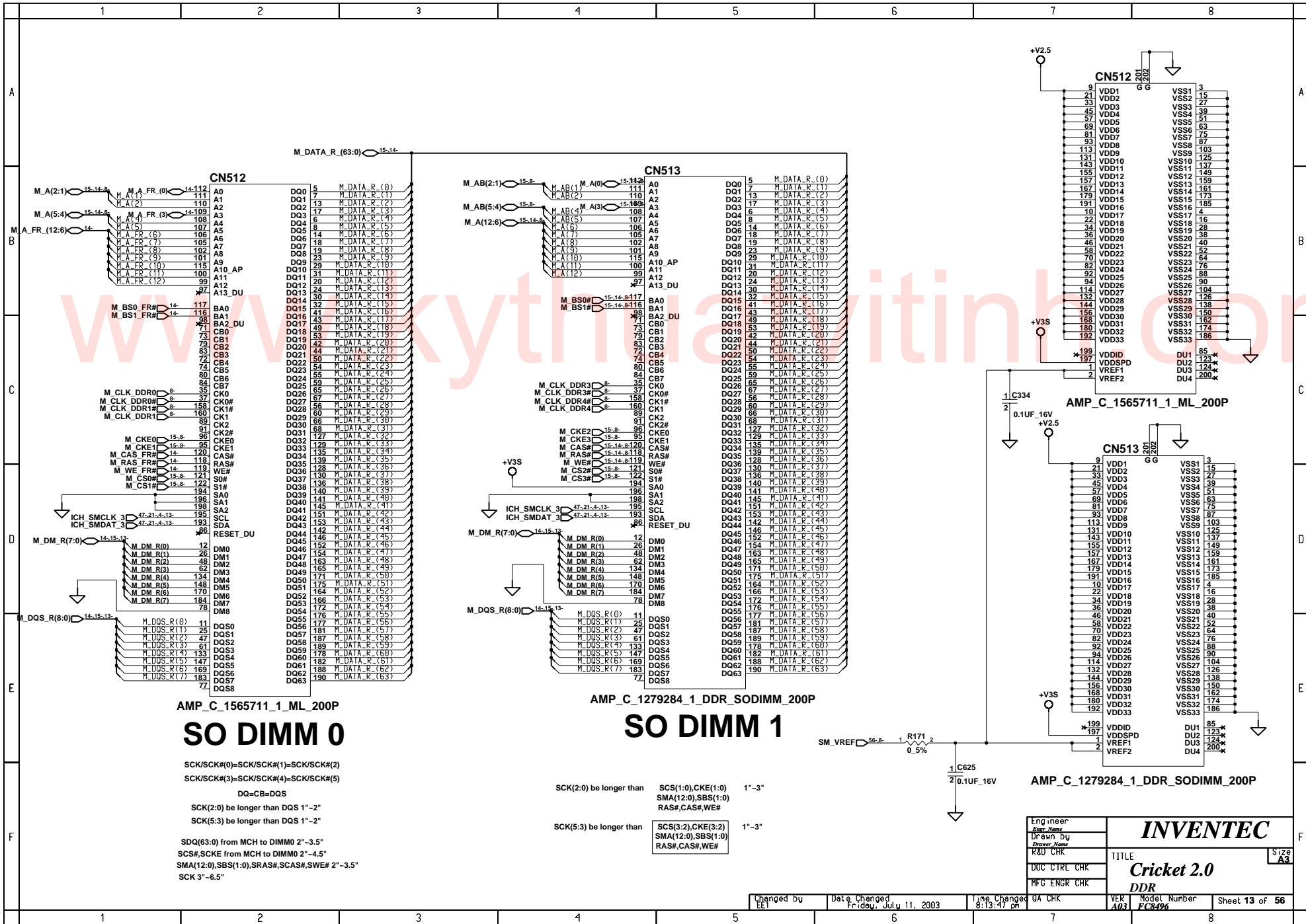
U529



www.kyth.atvittinh.com

Engineer <i>Eng. Name</i>	INVENTEC TITLE Cricket 2.0 MONTARA-GM(5/5)	Size A3
Drawn by <i>Drawer Name</i>		
R&U CHK		
DOC CTRL CHK		
MFG ENGR CHK	Model Number FC8496	Sheet 12 of 56

Changed by EE1	Date Changed Friday, July 11, 2003	Time Changed 8:13:44 pm	UA CHK
-------------------	---------------------------------------	----------------------------	--------



AMP_C_1565711_1_ML_200P
SO DIMM 0

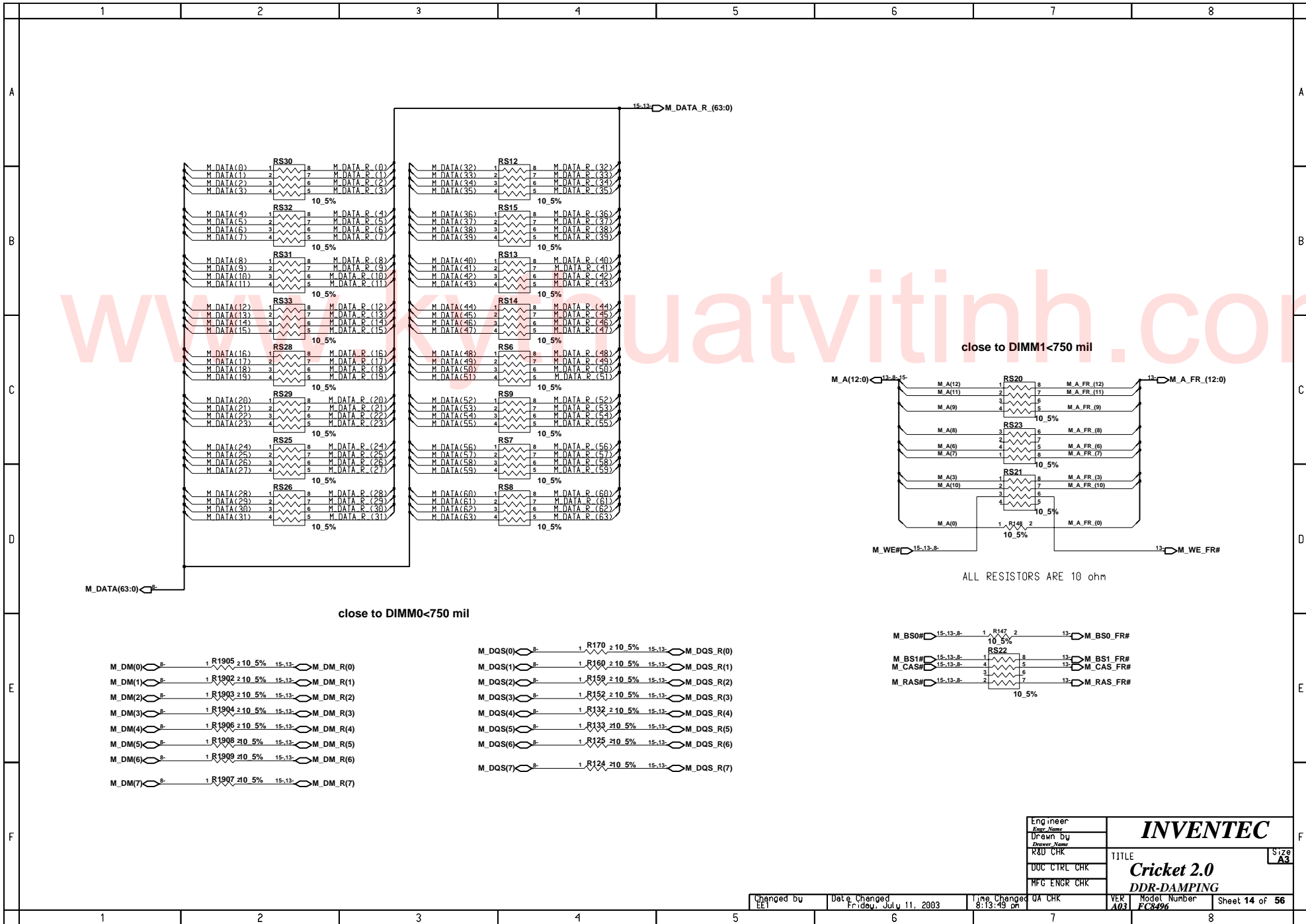
SCK/SCK#(0)=SCK/SCK#(1)=SCK/SCK#(2)
SCK/SCK#(3)=SCK/SCK#(4)=SCK/SCK#(5)
DQ=CB=DQS
SCK(2:0) be longer than DQS 1"-2"
SCK(5:3) be longer than DQS 1"-2"
SDQ(63:0) from MCH to DIMM0 2"-3.5"
SCS#,SCKE from MCH to DIMM0 2"-4.5"
SMA(12:0),SBS(1:0),SRAS#,SCAS#,SWE# 2"-3.5"
SCK 3"-6.5"

AMP_C_1279284_1_DDR_SODIMM_200P
SO DIMM 1

SCK(2:0) be longer than SCS(1:0),CKE(1:0) 1"-3"
SMA(12:0),SBS(1:0) RAS#,CAS#,WE#
SCK(5:3) be longer than SCS(3:2),CKE(3:2) 1"-3"
SMA(12:0),SBS(1:0) RAS#,CAS#,WE#

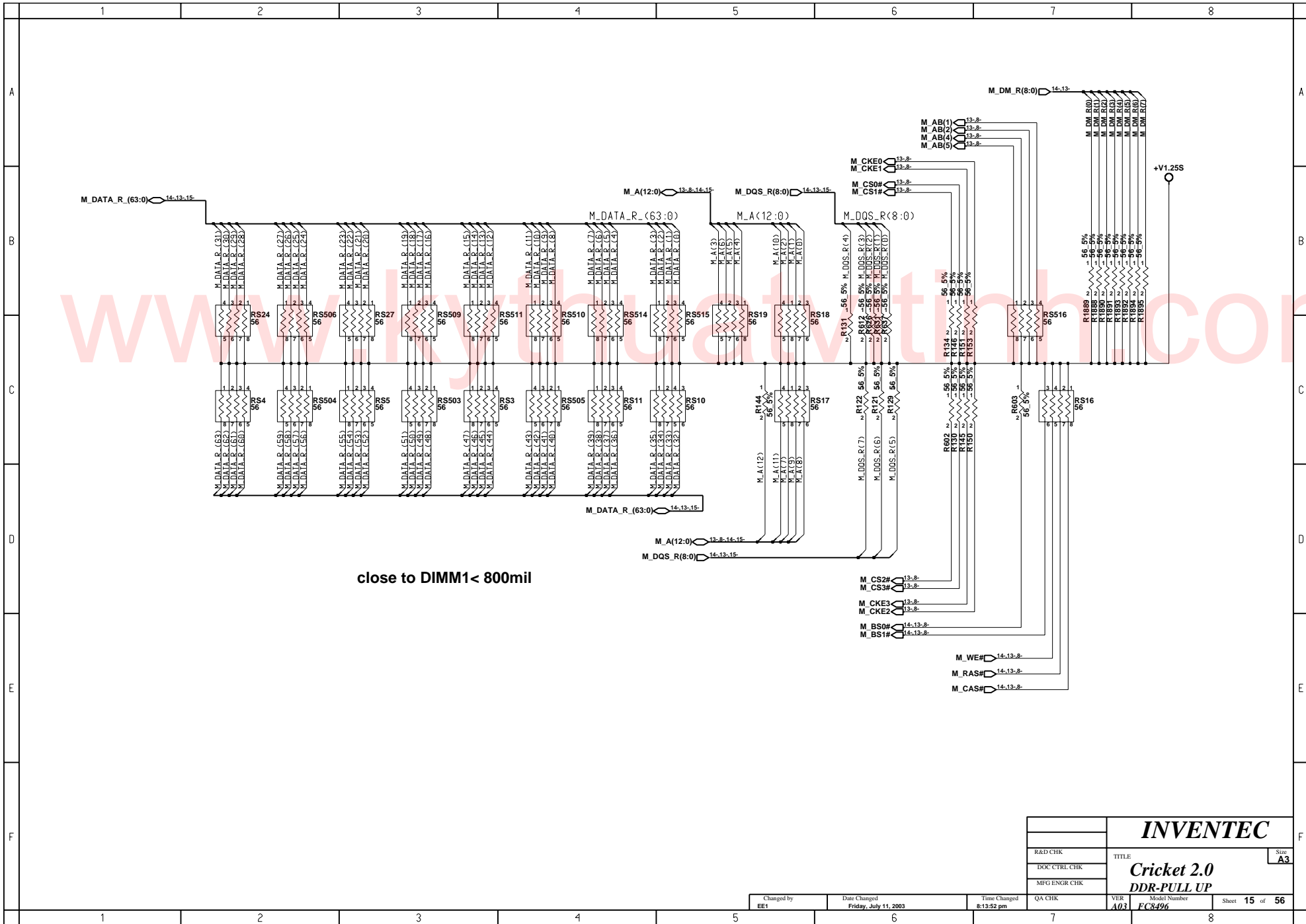
AMP_C_1279284_1_DDR_SODIMM_200P

Eng ineer		INVENTEC TITLE Cricket 2.0 DDR	S178 A3
Drawn by			
Doc CTRL CHK			
HFG ENGR CHK			
Changed by	Date Changed	Time Changed	UA CHK
EE1	Friday, July 11, 2003	8:13:47 pm	
VER	Model Number	Sheet 13 of 56	
A03	FC8496		



Engineer <i>Eng. Name</i> Drawn by <i>Drawn Name</i> R3U CHK DUC CTRL CHK HFG ENGR CHK	INVENTEC TITLE Cricket 2.0 DDR-DAMPING
Model Number A03 Model Number FC8496	Sheet 14 of 56 S178 A3

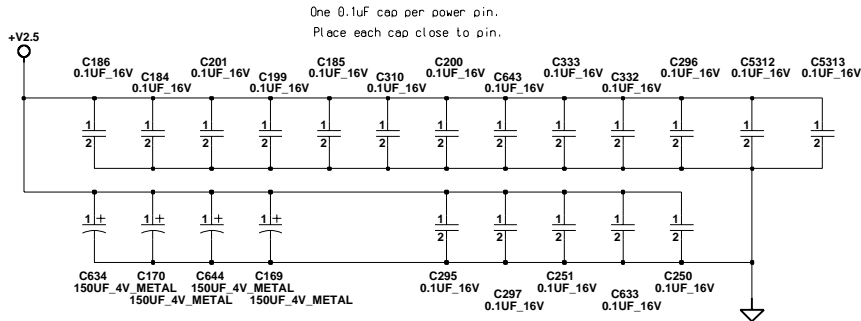
Changed by: EE1 Date Changed: Friday, July 11, 2003 Time Changed: 8:13:49 pm UA CHK VER: A03 Model Number: FC8496 Sheet 14 of 56



close to DIMM1 < 800mil

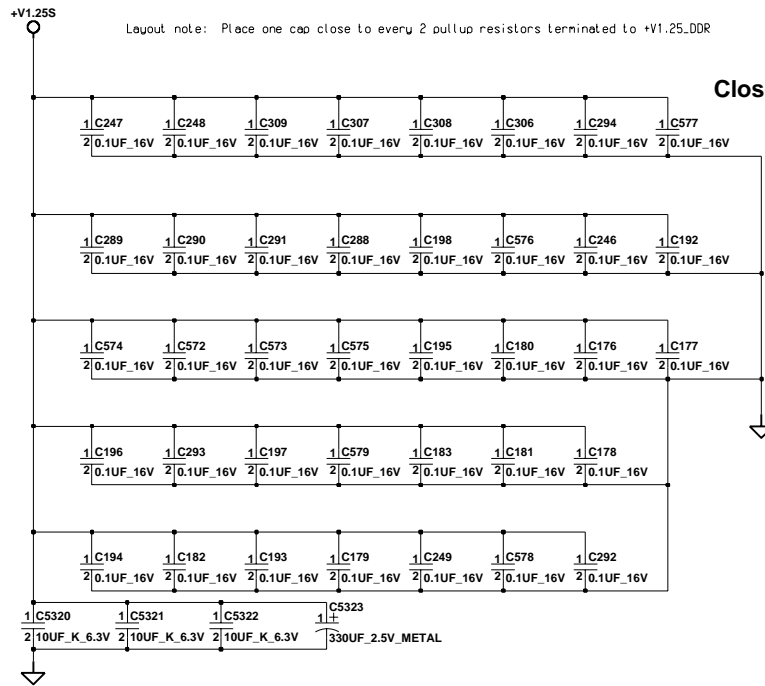
INVENTEC	
R&D CHK	TITLE
DOC CTRL CHK	Cricket 2.0
MFG ENGR CHK	DDR-PULL UP
VER	Model Number
A03	FC8496
Sheet	15 of 56

Changed by	Date Changed	Time Changed	QA CHK	VER	Model Number	Sheet
EE1	Friday, July 11, 2003	8:13:52 pm		A03	FC8496	15 of 56

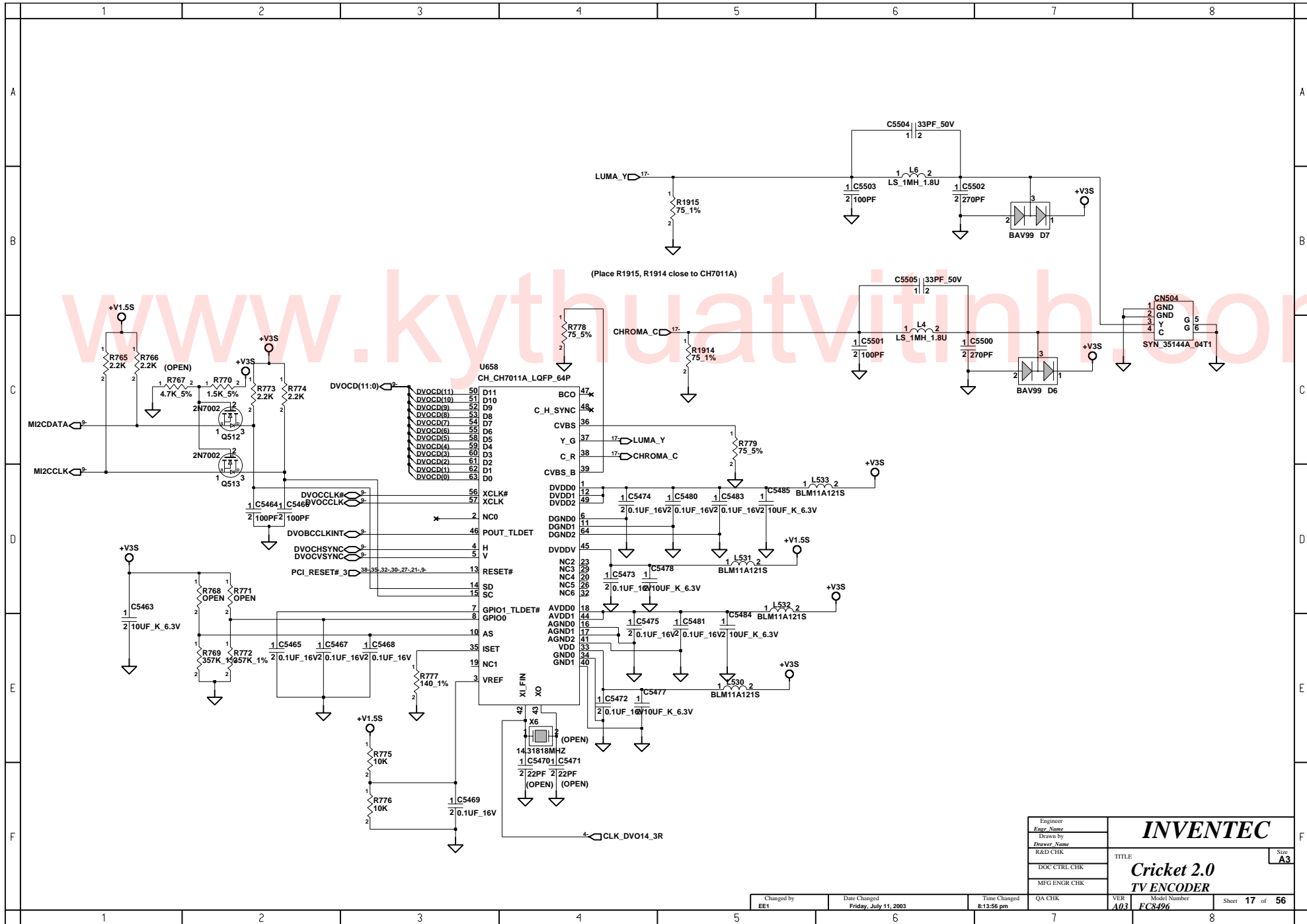


Layout note: Place capacitors between and near DDR connector if possible.

www.kythuatchinh.com

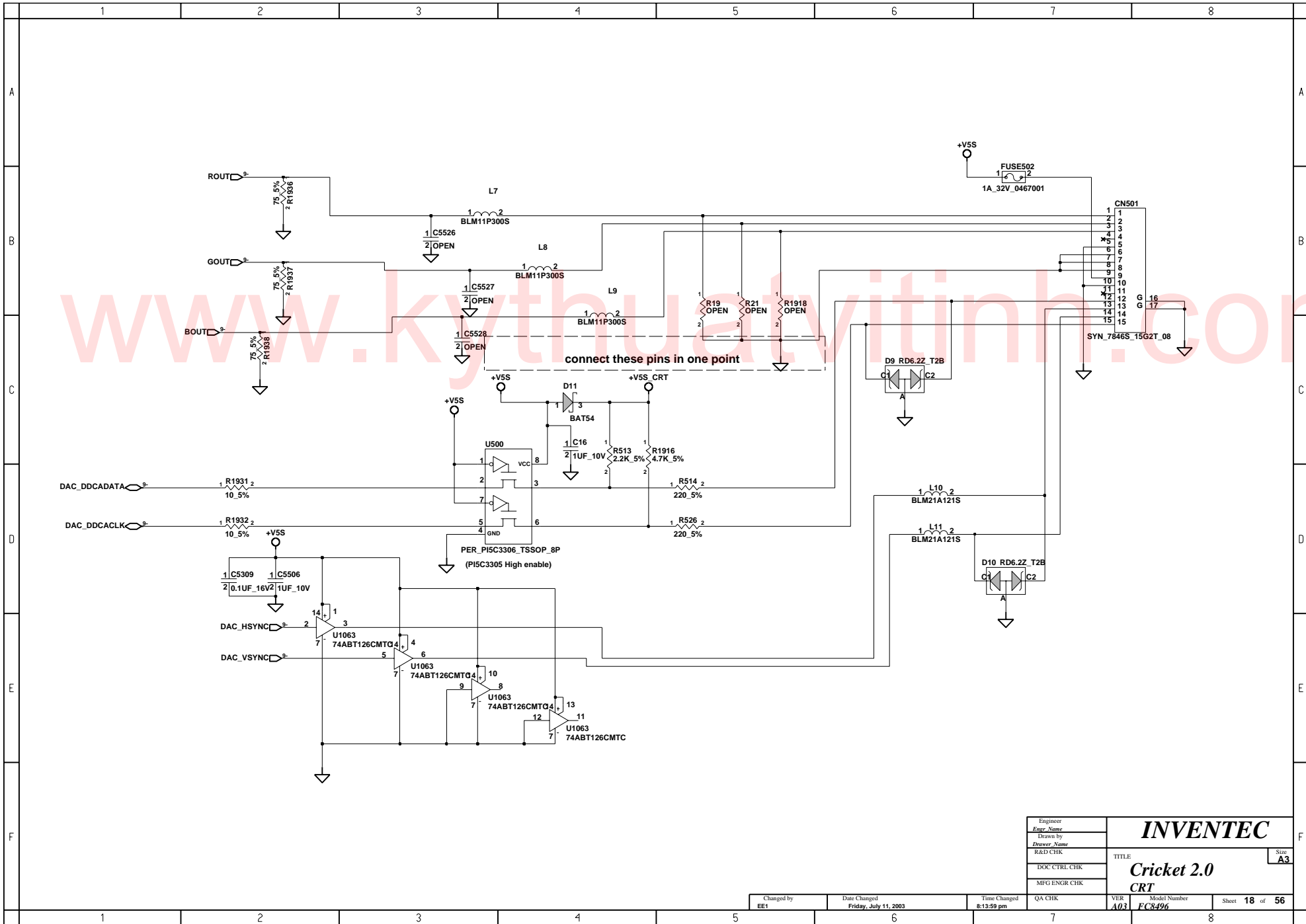


Engineer		INVENTEC TITLE: Cricket 2.0 DDR-DECOUPLING	Size	A3
Engr Name				
Drawn by				
R&D CHK				
DOC CTRL CHK				
MFG ENGR CHK				
Changed by	Date Changed	Time Changed	QA CHK	VER
EE1	Friday, July 11, 2003	8:13:54 pm		A03
				Model Number
				FC8496
				Sheet
				16 of 56



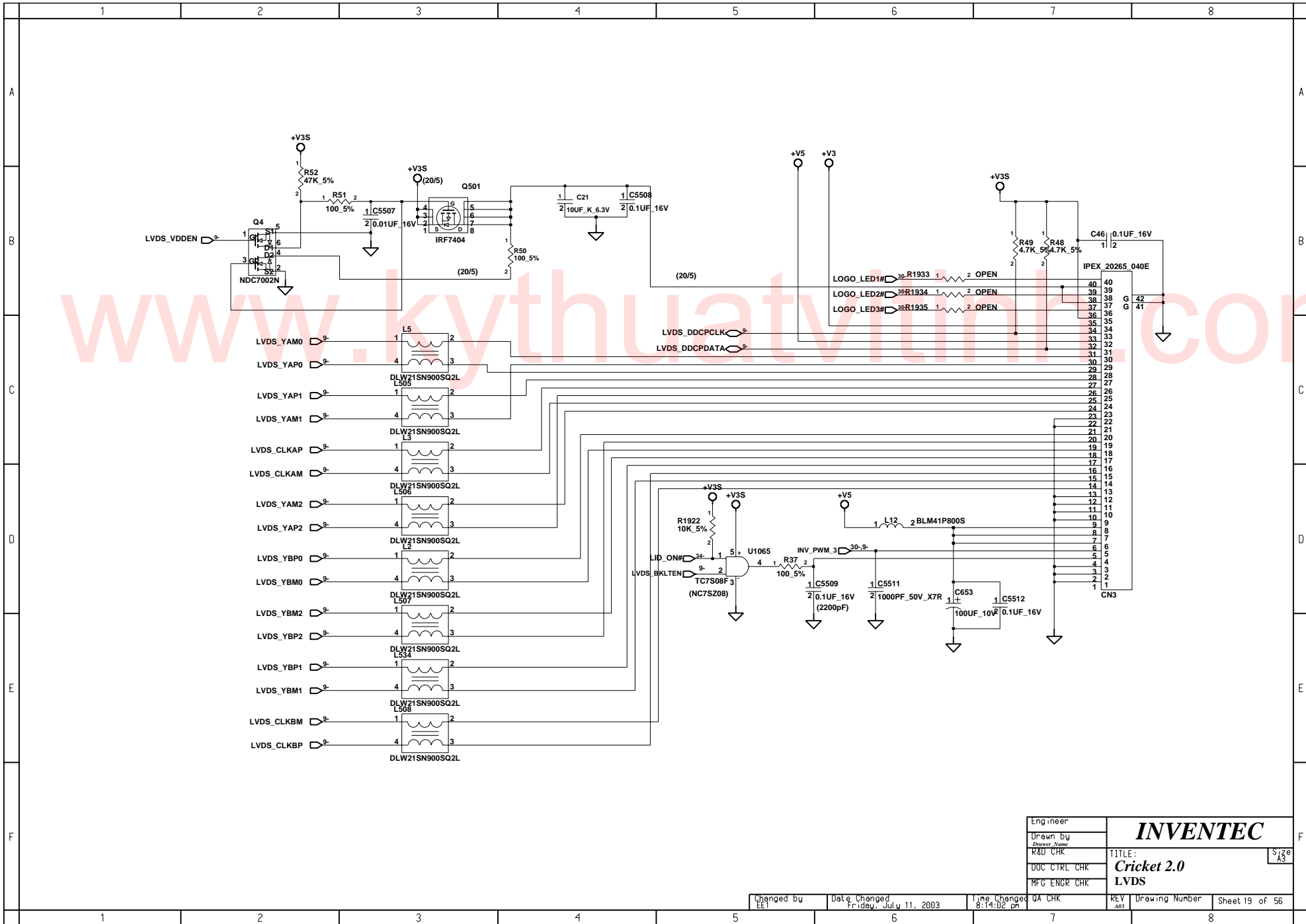
Engineer Enger Name	INVENTEC
Drawn by Drawer Name	
R&D CHK	
DOC CTRL CHK	
MFG ENGR CHK	
TITLE	Cricket 2.0 TV ENCODER
VER A03	Model Number FC8496
Sheet	17 of 56

Changed by EE1	Date Changed Friday, July 11, 2003	Time Changed 8:13:56 pm	QA CHK	VER A03	Model Number FC8496	Sheet 17 of 56
--------------------------	--	-----------------------------------	--------	-------------------	-------------------------------	---------------------------------



Engineer		INVENTEC TITLE: Cricket 2.0 CRT	Size A3
Engr Name			
Drawn by			
Drawer Name			
R&D CHK			
DOC CTRL CHK		Model Number	
MFG ENGR CHK		VER	A03
QA CHK		Sheet	18 of 56

Changed by	Date Changed	Time Changed
EE1	Friday, July 11, 2003	8:13:59 pm



www.kythuatvietnam.com

Engineer	
Drawn by	
Drawn Name	
R&D CHK	
DOC CTRL CHK	
MFG ENGR CHK	

INVENTEC

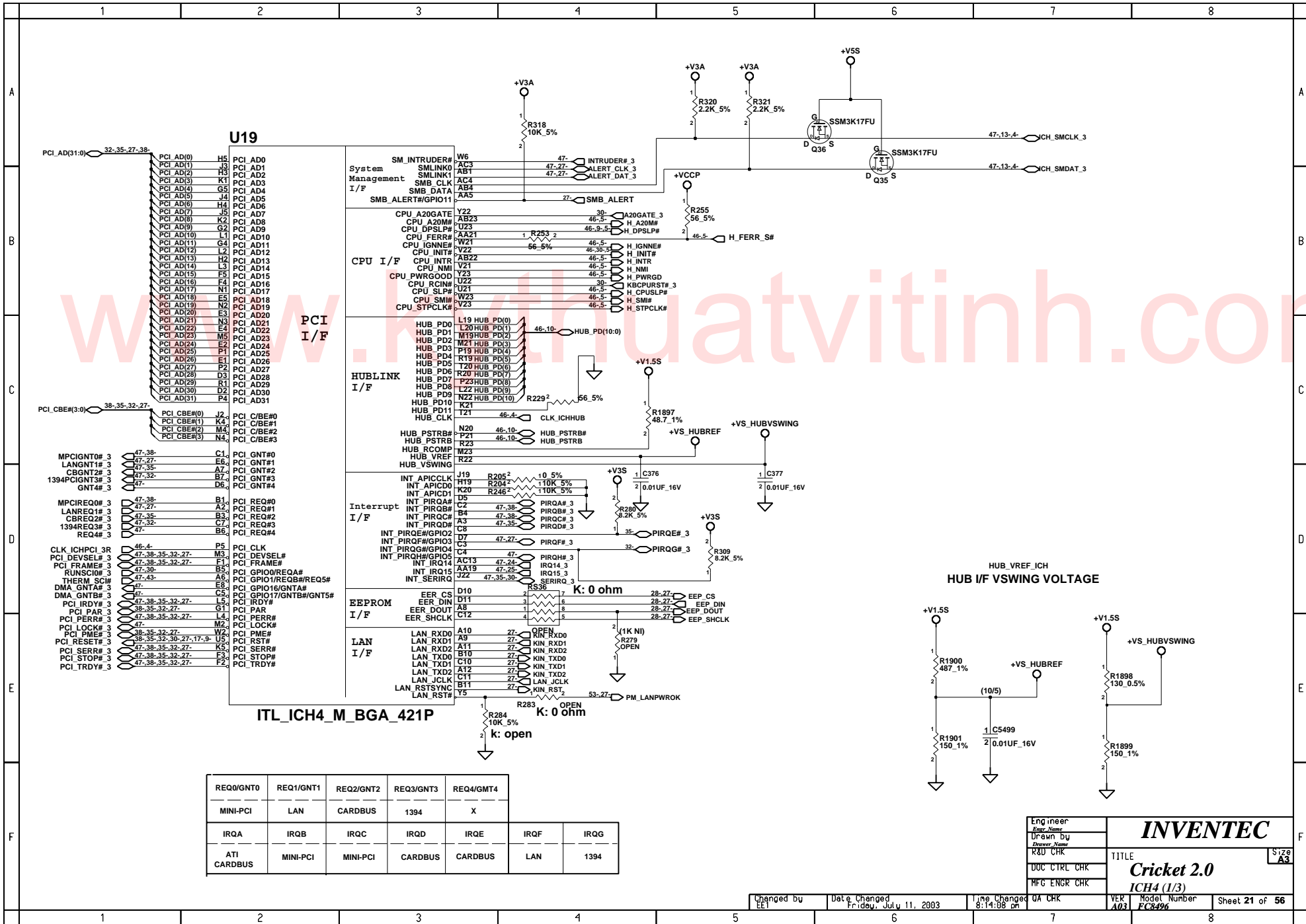
TITLE: **Cricket 2.0**
LVDS

Changed by	Date Changed	Time Changed	QA CHK	REV	Drawing Number	Sheet 19 of 56
EE1	Friday, July 11, 2003	8:14:02 pm		A03		

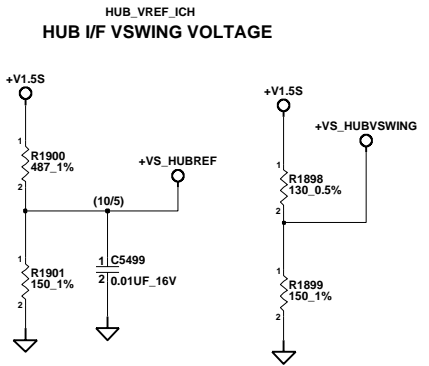
www.kythuatvitinh.com

BLANK

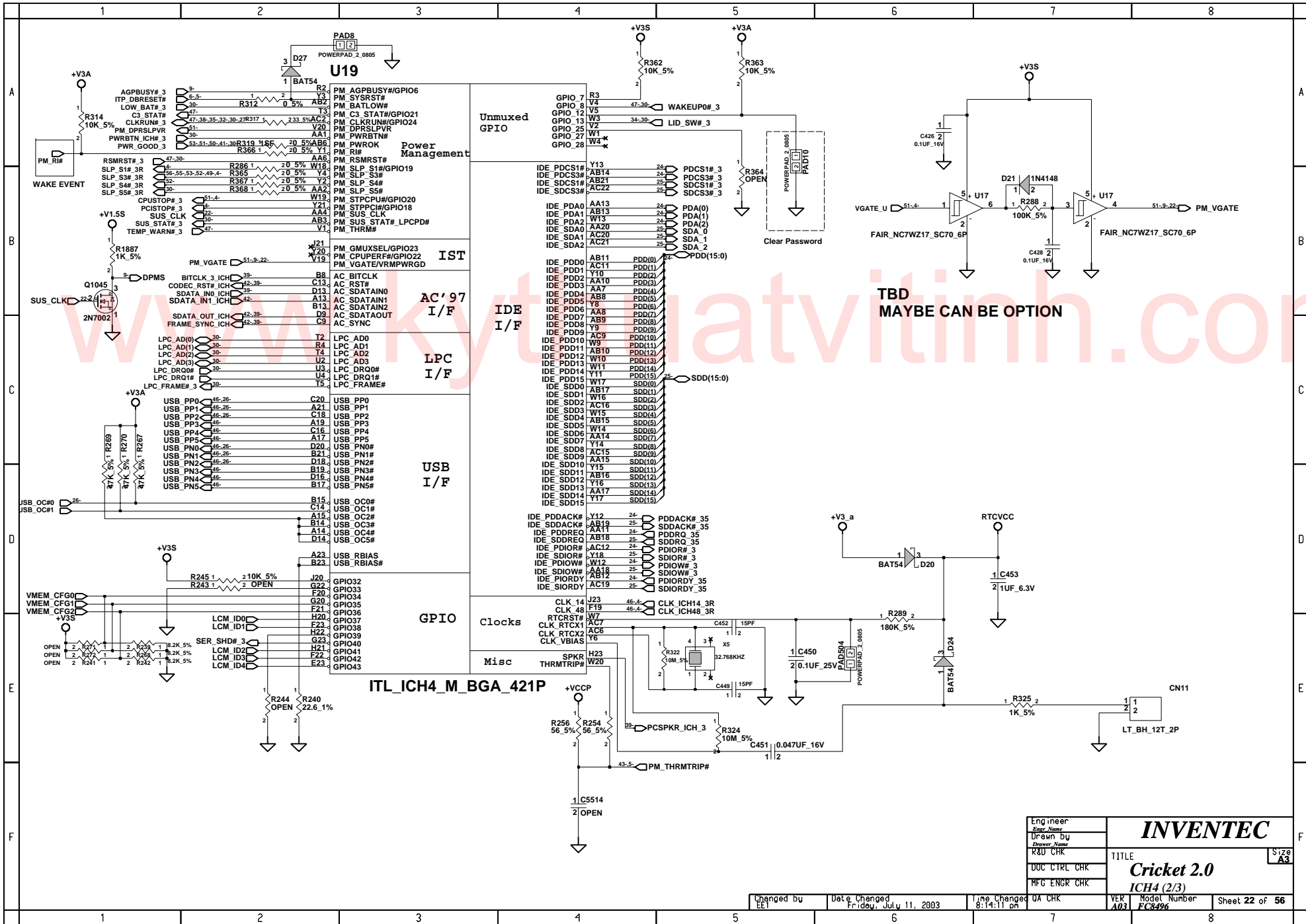
Engineer		INVENTEC	TITLE	Size A3
Engr Name				
Drawn by				
Drawer Name				
R&D CHK		Cricket 2.0	CRT INTERFACE	Sheet 20 of 56
DOC CTRL CHK				
MFG ENGR CHK				
QA CHK		VER	Model Number	
Changed by EE1	Date Changed Friday, July 11, 2003	Time Changed 8:14:06 pm	A031	FC8496



REQ0/GNT0	REQ1/GNT1	REQ2/GNT2	REQ3/GNT3	REQ4/GNT4	IRQA	IRQB	IRQC	IRQD	IRQE	IRQF	IRQG
MINI-PCI	LAN	CARDBUS	1394	X							
ATTI CARDBUS	MINI-PCI	MINI-PCI	CARDBUS	CARDBUS	LAN	1394					

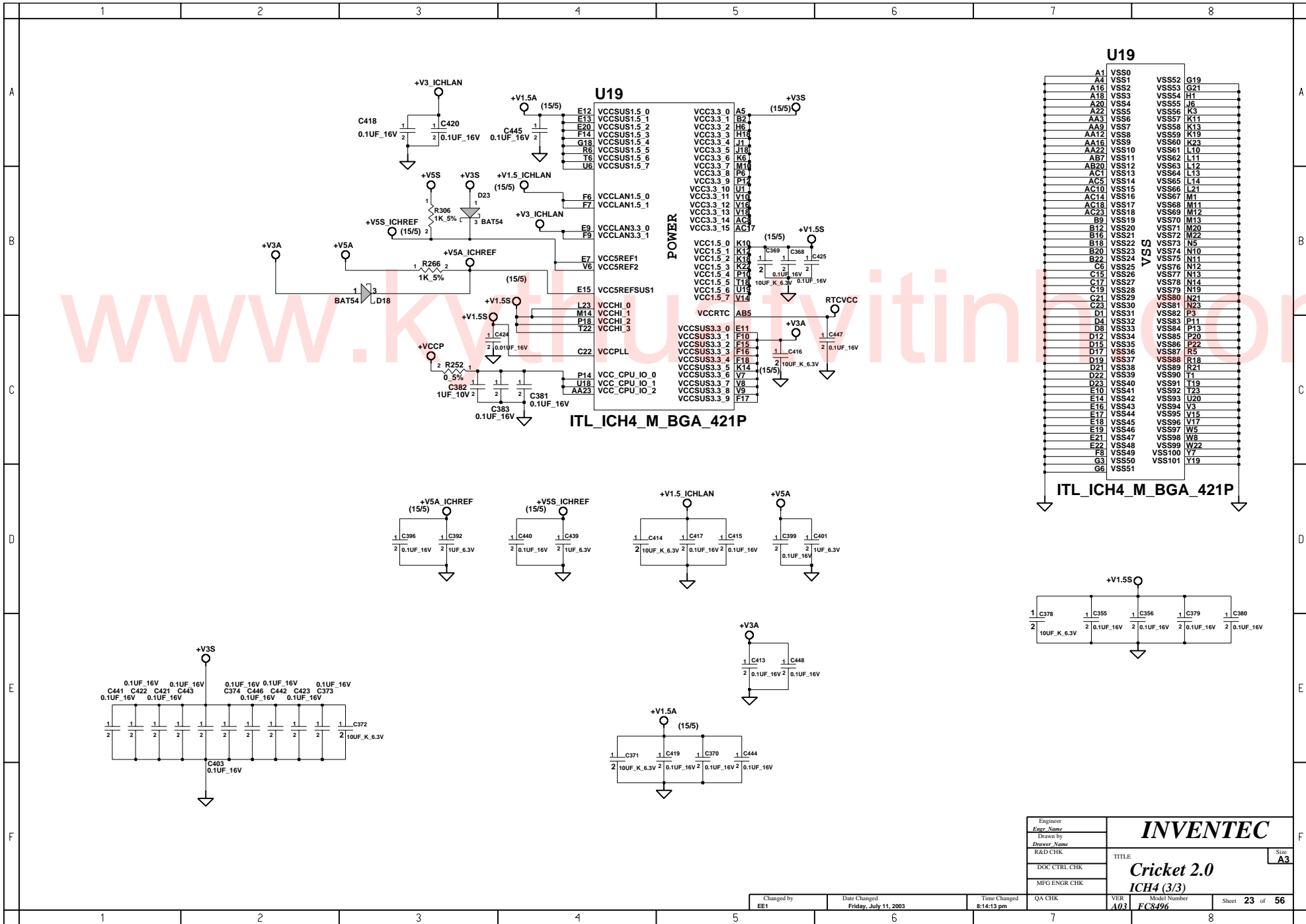


Eng Ineer		INVENTEC				
Drawn by						
Model Number						
Model Number						
TITLE		Cricket 2.0				
DUO CTRL CHK						
MFG ENGR CHK						
Changed by	Date Changed	Time Changed	UA CHK	VER	Model Number	Sheet 21 of 56
EE1	Friday, July 11, 2003	8:14:08 pm		A03	PC8496	

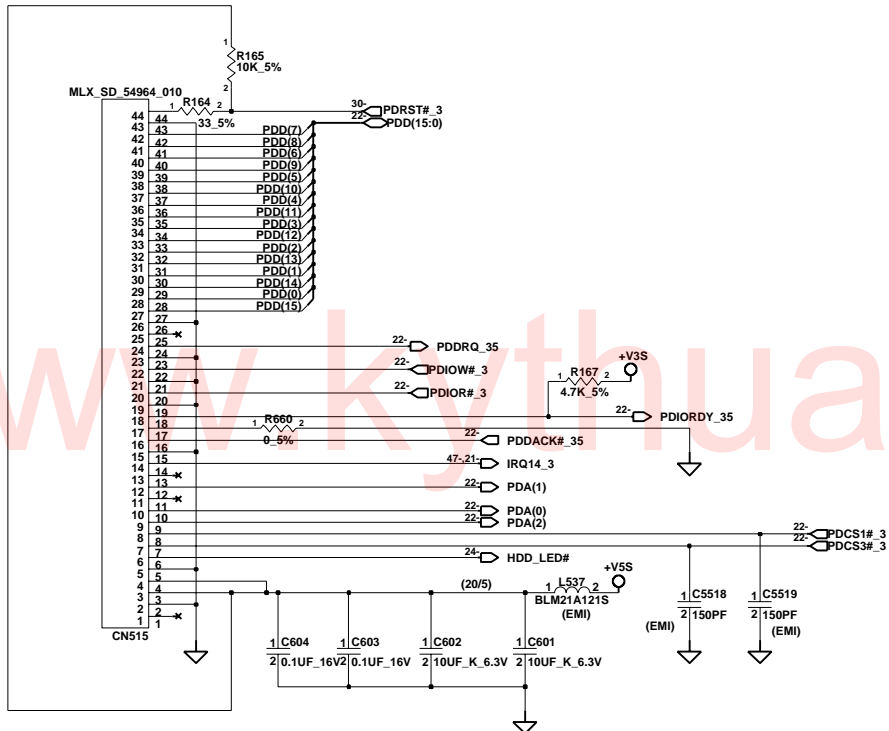


TBD
MAYBE CAN BE OPTION

Eng Ineer	
Drawn by	
Checker	
Model Number	Cricket 2.0
Model Number	ICH4 (2/3)

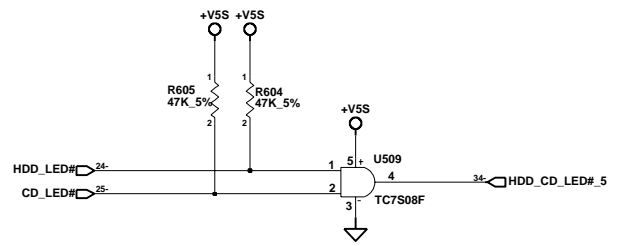


Engineer		INVENTEC	Size A3
Engr Name			
Drawn by			
Drawer Name			
R&D CHK			
DOC CTRL CHK	TITLE	Cricket 2.0	
MFG ENGR CHK		ICH4 (3/3)	
Changed by	Date Changed	Time Changed	QA CHK
EE1	Friday, July 11, 2003	8:14:13 pm	
VER	Model Number	Sheet	56
A03	FC8496	23	

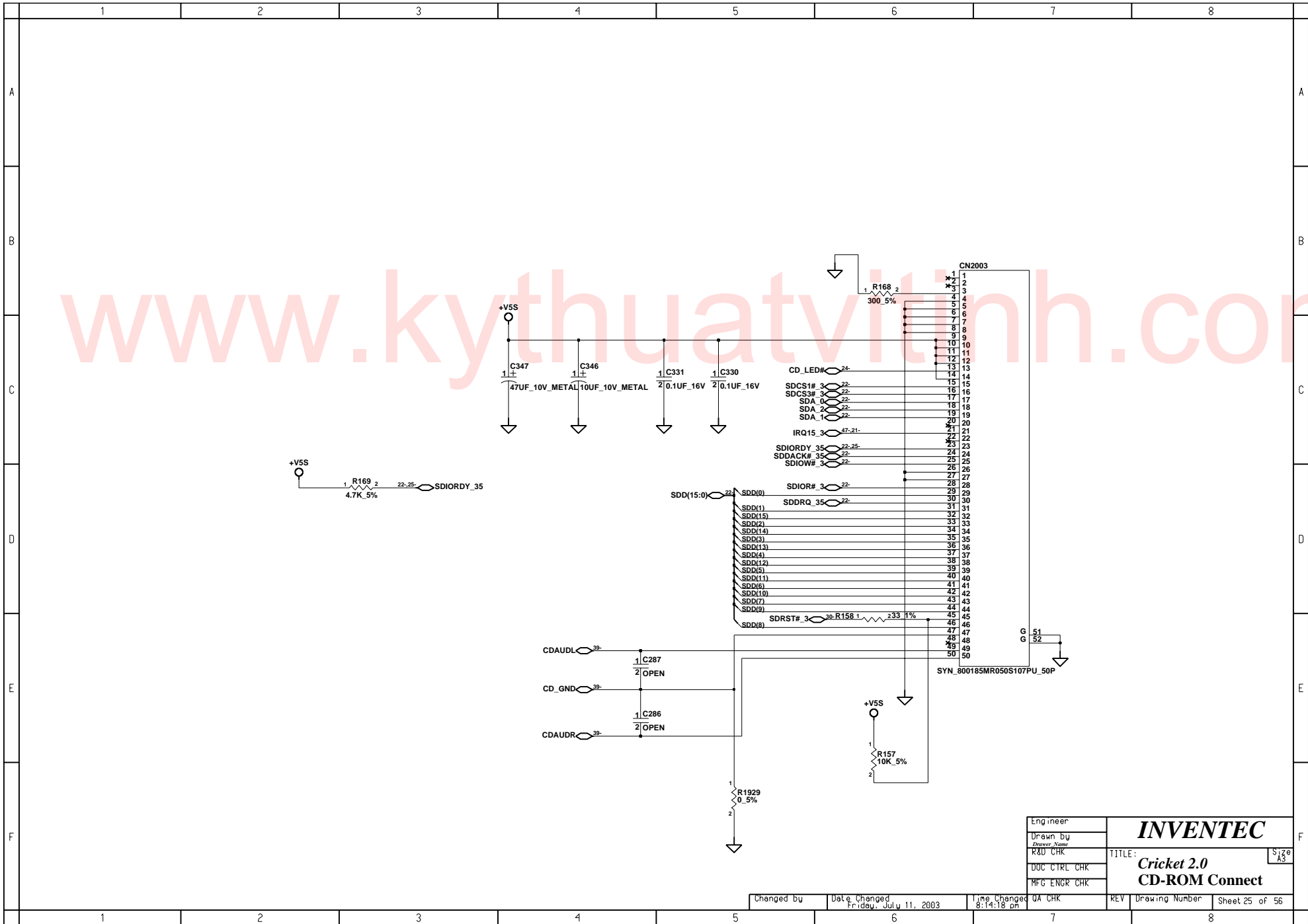


www.kyathuatvithinh.com

SIGNAL NAME	TRACE WIDTH (MILS)
+VSS	60
HDDPWR	60
+VSS_SBAY	60
SBAYPWR	60



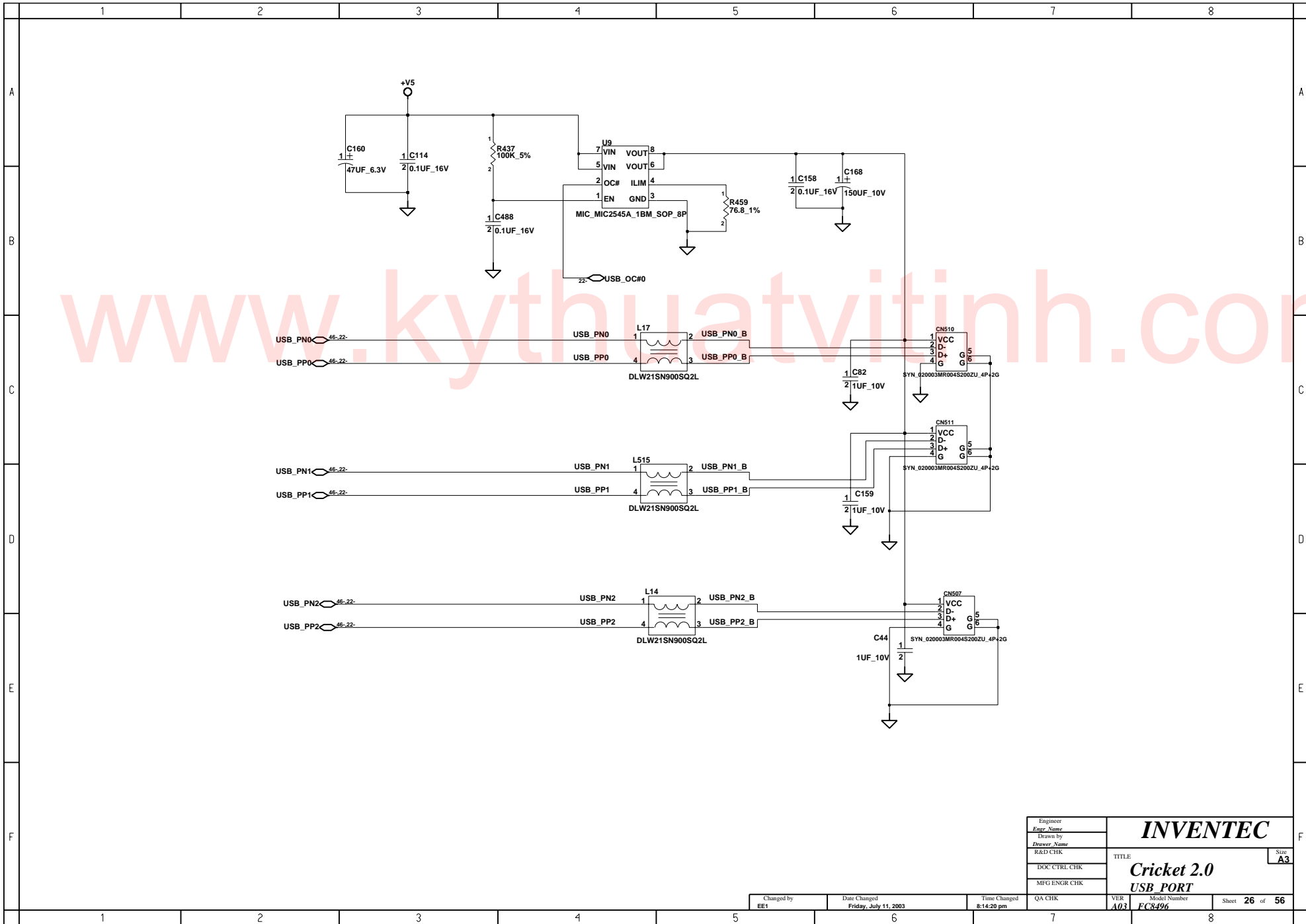
Engineer	INVENTEC
Drawn By	
Rev'd	
DOC CTRL CHK	
MFG ENGR CHK	
TITLE: Cricket 2.0	Size: A3
HDD CONNECTOR	



www.kythuatvnh.com

Engineer		INVENTEC
Drawn by		
Rev. Name		
R&D CHK		
DOC CTRL CHK		
MFG ENGR CHK		TITLE: Cricket 2.0
		CD-ROM Connect

Changed by	Date Changed Friday, July 11, 2003	Time Changed 8:14:18 pm	UA CHK	REV	Drawing Number	Sheet 25 of 56
------------	---------------------------------------	----------------------------	--------	-----	----------------	----------------



www.kythuatvith.com

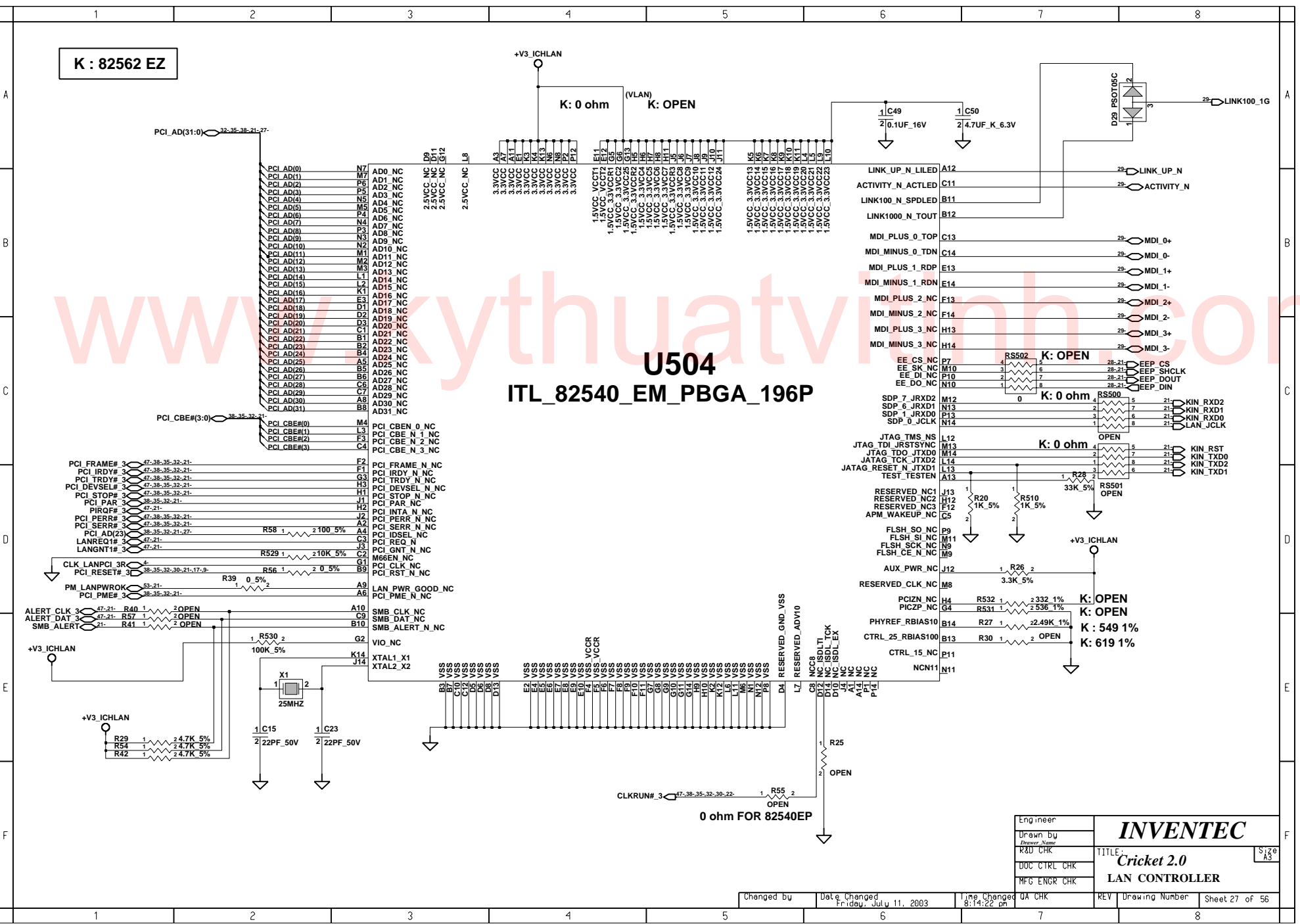
Engineer Engr Name	INVENTEC	Size A3				
Drawn by Drawer Name						
R&D CHK			TITLE			
DOC CTRL CHK			Cricket 2.0			
MFG ENGR CHK			USB PORT			
Changed by EE1	Date Changed Friday, July 11, 2003	Time Changed 8:14:20 pm	QA CHK	VER A031	Model Number FC8496	Sheet 26 of 56

K : 82562 EZ

+V3_ICHLAN
K: 0 ohm (VLAN)
K: OPEN

www.kythuathviph.com

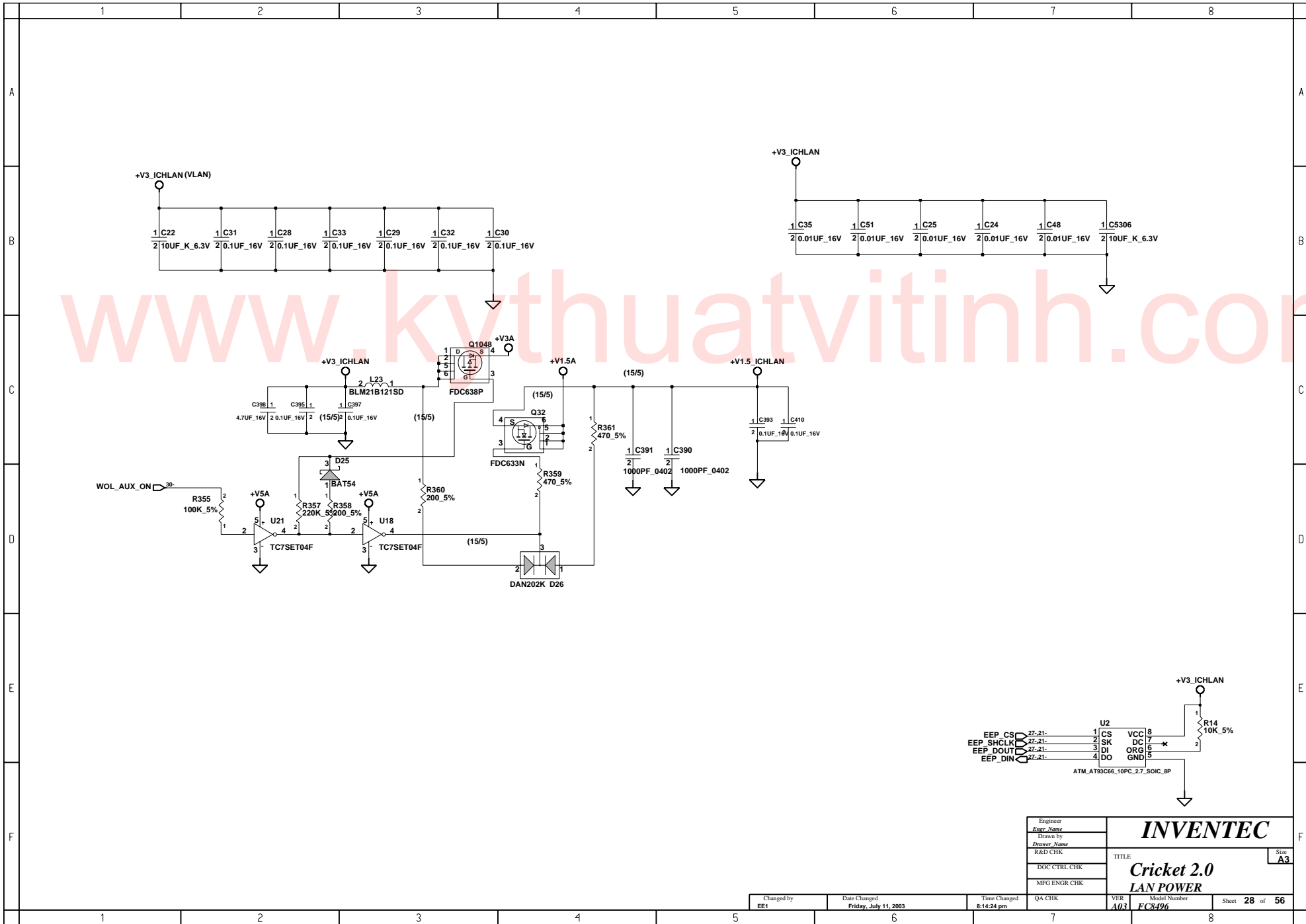
U504 ITL_82540_EM_PBGA_196P



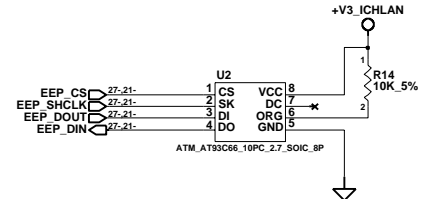
Eng ineer	
Drawn by	
Drawn Name	
R&D CHK	
DOC CTRL CHK	
MFG ENGR CHK	

INVENTEC
 TITLE: Cricket 2.0
 LAN CONTROLLER

Changed by	Date Changed	Time Changed	UA CHK	REV	Drawing Number	Sheet 27 of 56
	Friday, July 11, 2003	8:14:22 pm				

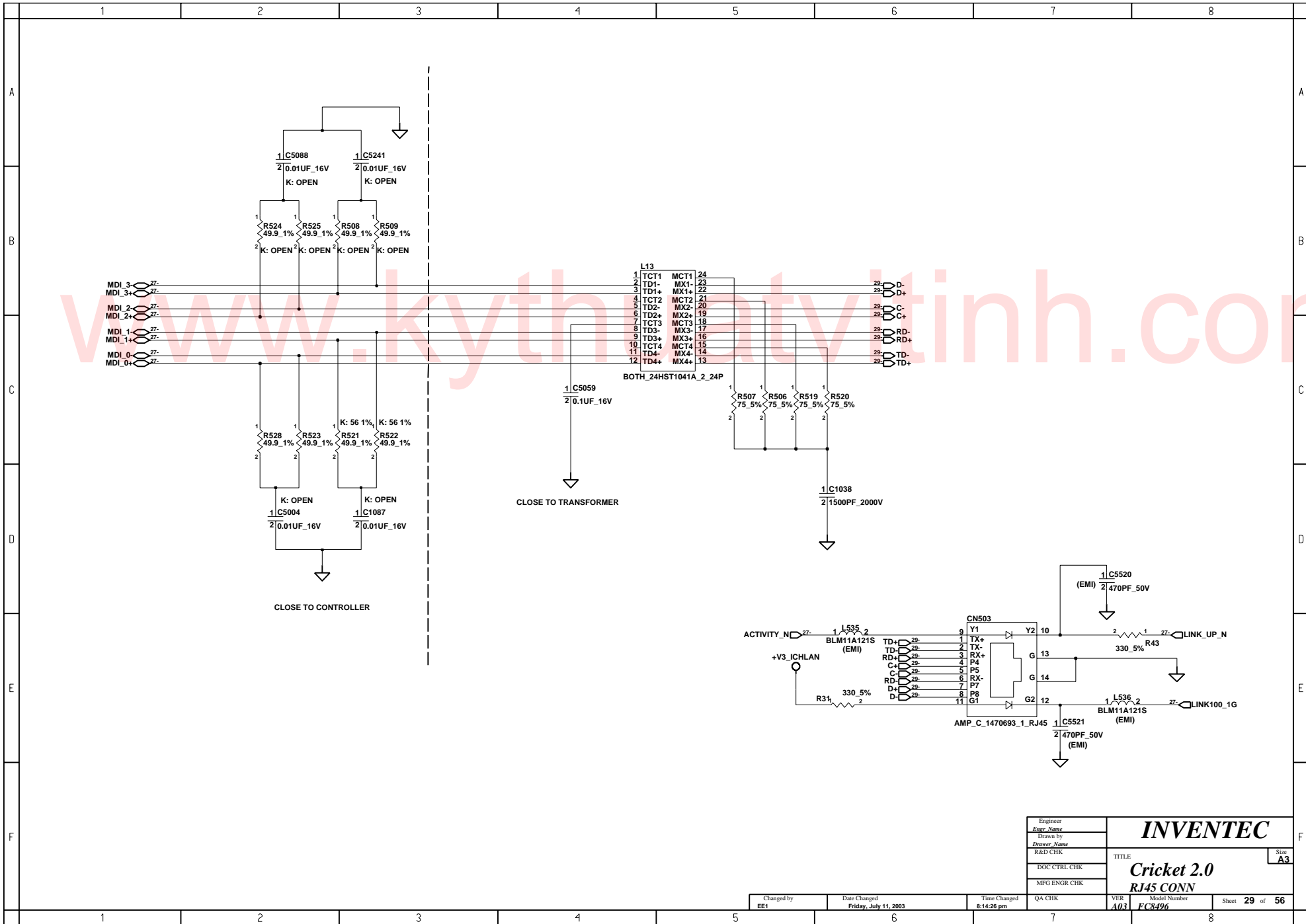


www.kythuatvithinh.com



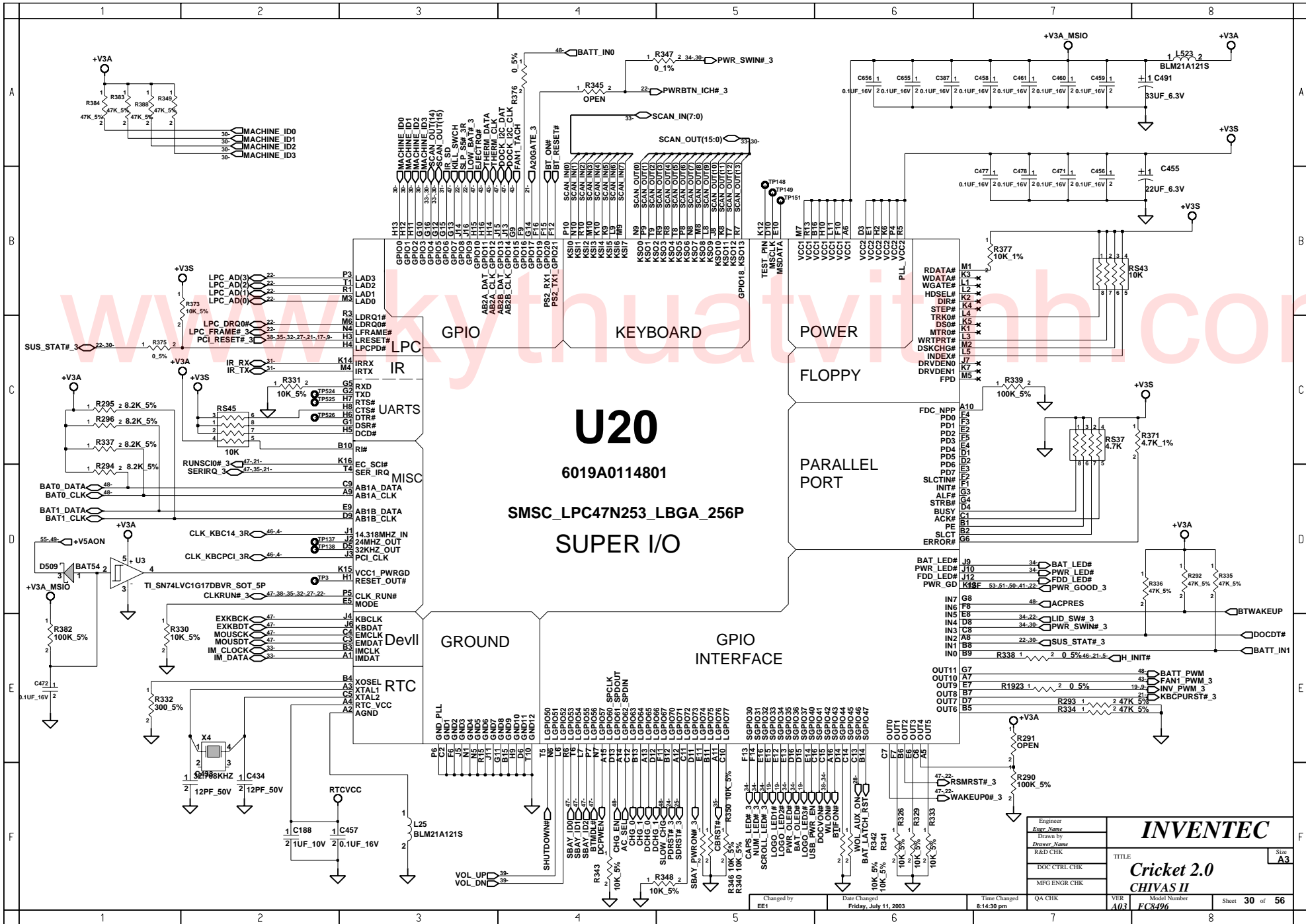
Engineer		INVENTEC	Size A3
Engy Name			
Drawn by			
Drawn Name			
R&D CHK			
DOC CTRL CHK	TITLE	Cricket 2.0	
MFG ENGR CHK		LAN POWER	

Changed by EE1	Date Changed Friday, July 11, 2003	Time Changed 8:14:24 pm	QA CHK	VER A03	Model Number FC8496	Sheet 28	of 56
-------------------	---------------------------------------	----------------------------	--------	------------	------------------------	-------------	----------



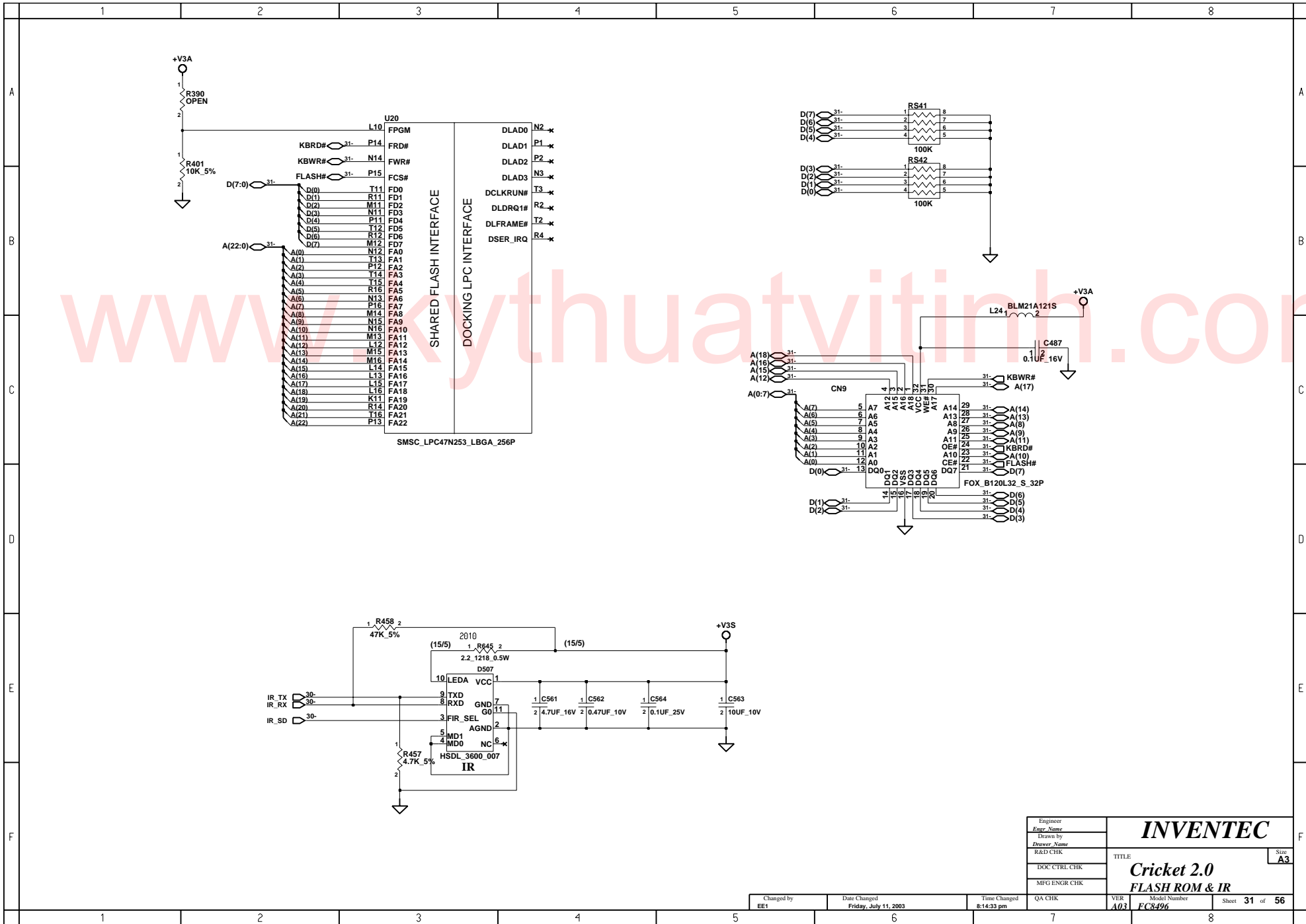
Engineer		INVENTEC	Size A3
Engr Name			
Drawn by			
Drawn Name			
R&D CHK			
DOC CTRL CHK	TITLE	Cricket 2.0	RJ45 CONN
MFG ENGR CHK			

Changed by EE1	Date Changed Friday, July 11, 2003	Time Changed 8:14:26 pm	QA CHK	VER A03	Model Number FC8496	Sheet 29	of 56
-------------------	---------------------------------------	----------------------------	--------	------------	------------------------	-------------	----------



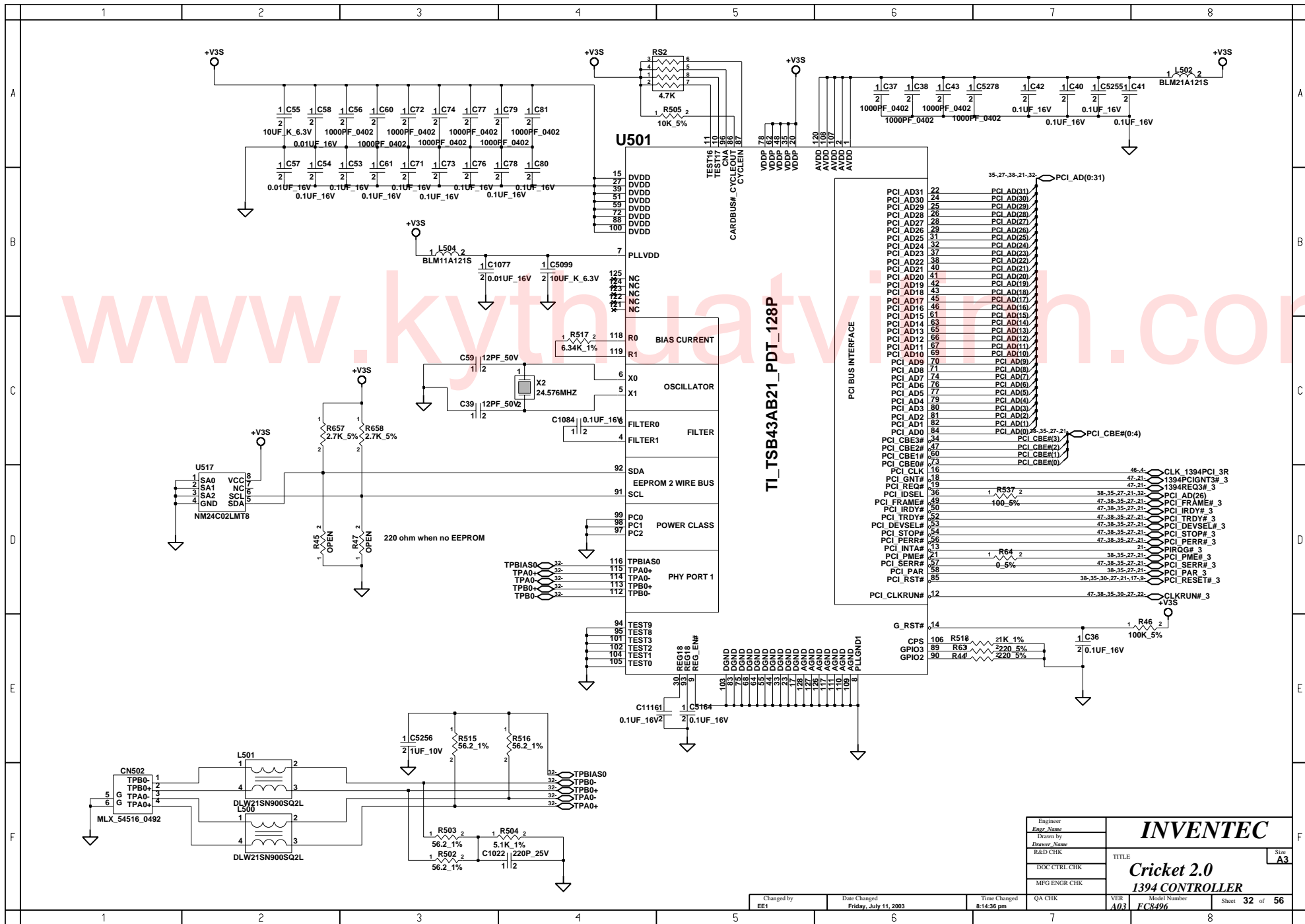
Engineer		INVENTEC TITLE: Cricket 2.0 CHIVAS II	Model Number	
Drawn by			Sheet	30 of 56
Checker			QA CHK	
Doc Ctrl			VER	A03
Mfg Engr			FCR#	496

Changed by: EE1
Date Changed: Friday, July 11, 2003
Time Changed: 8:14:30 pm

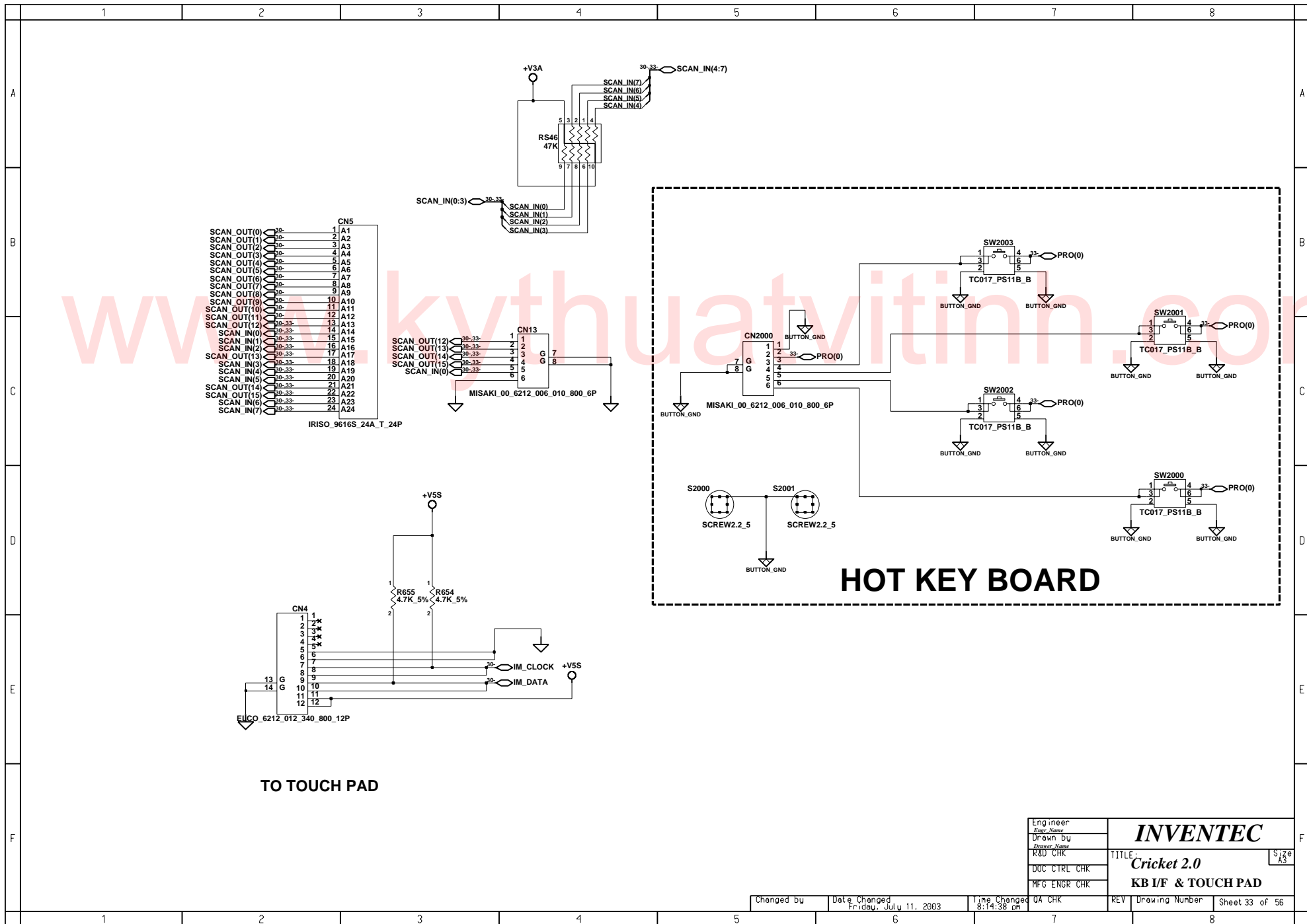


Engineer	
Engr Name	
Drawn by	
Drawer Name	
R&D CHK	
DOC CTRL CHK	
MFG ENGR CHK	
TITLE	Cricket 2.0 FLASH ROM & IR
Model Number	FC8496
Sheet	31 of 56

Changed by	Date Changed	Time Changed	QA CHK	VER	Model Number	Sheet
EE1	Friday, July 11, 2003	8:14:33 pm		A03	FC8496	31 of 56



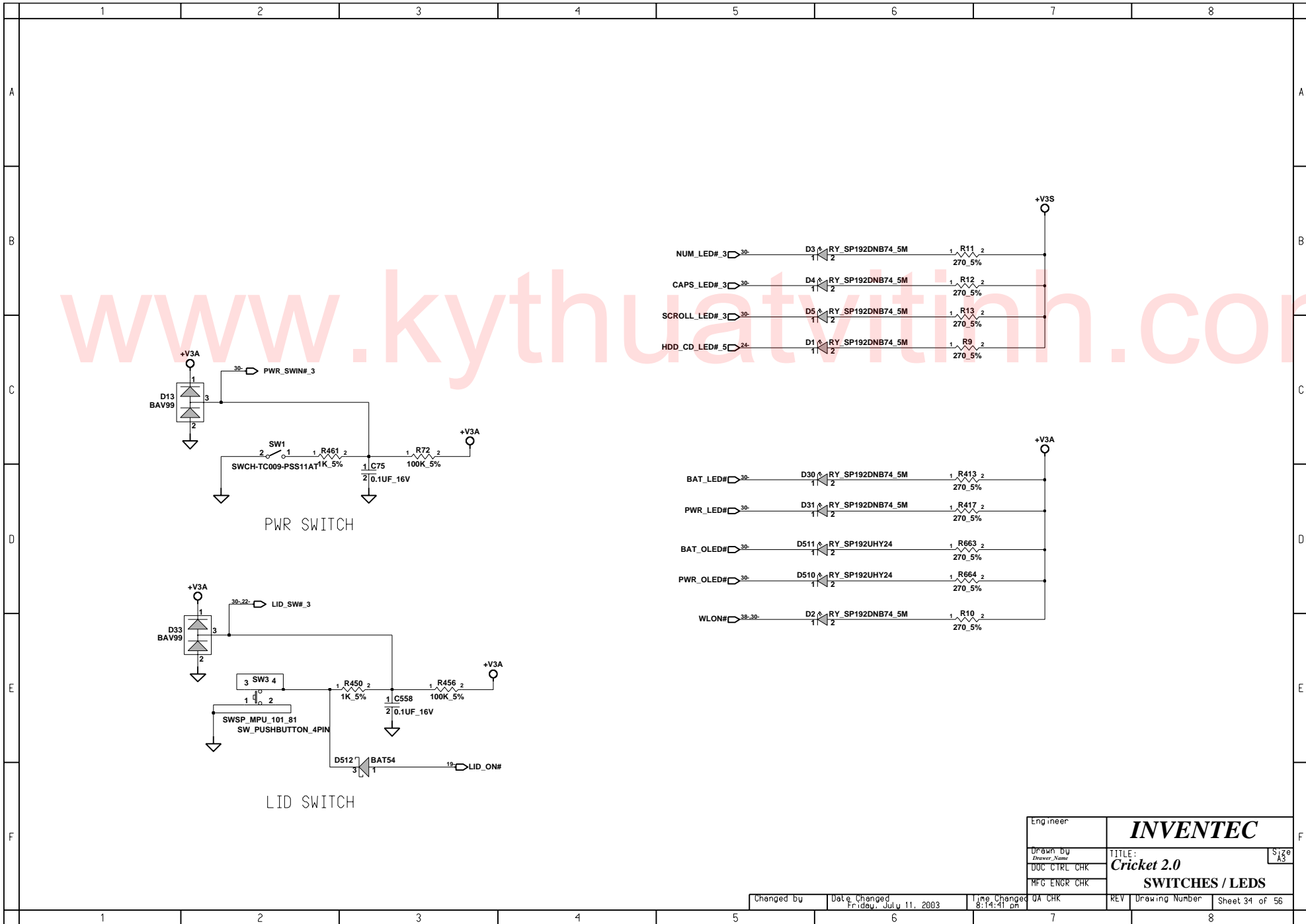
Engineer Engr Name		INVENTEC TITLE: Cricket 2.0 1394 CONTROLLER	Size A3
Drawn by Drawer Name			
R&D CHK			
DOC CTRL CHK			
MFG ENGR CHK			
Changed by EE1	Date Changed Friday, July 11, 2003	Time Changed 8:14:36 pm	QA CHK VER A03
		Model Number FC8496	Sheet 32 of 56



www.kyathuaitinh.com

Engineer		INVENTEC TITLE: Cricket 2.0 KB I/F & TOUCH PAD	Size A3
Drawn By			
Designer			
R&D CHK			
DOC CTRL CHK			
MFG ENGR CHK			

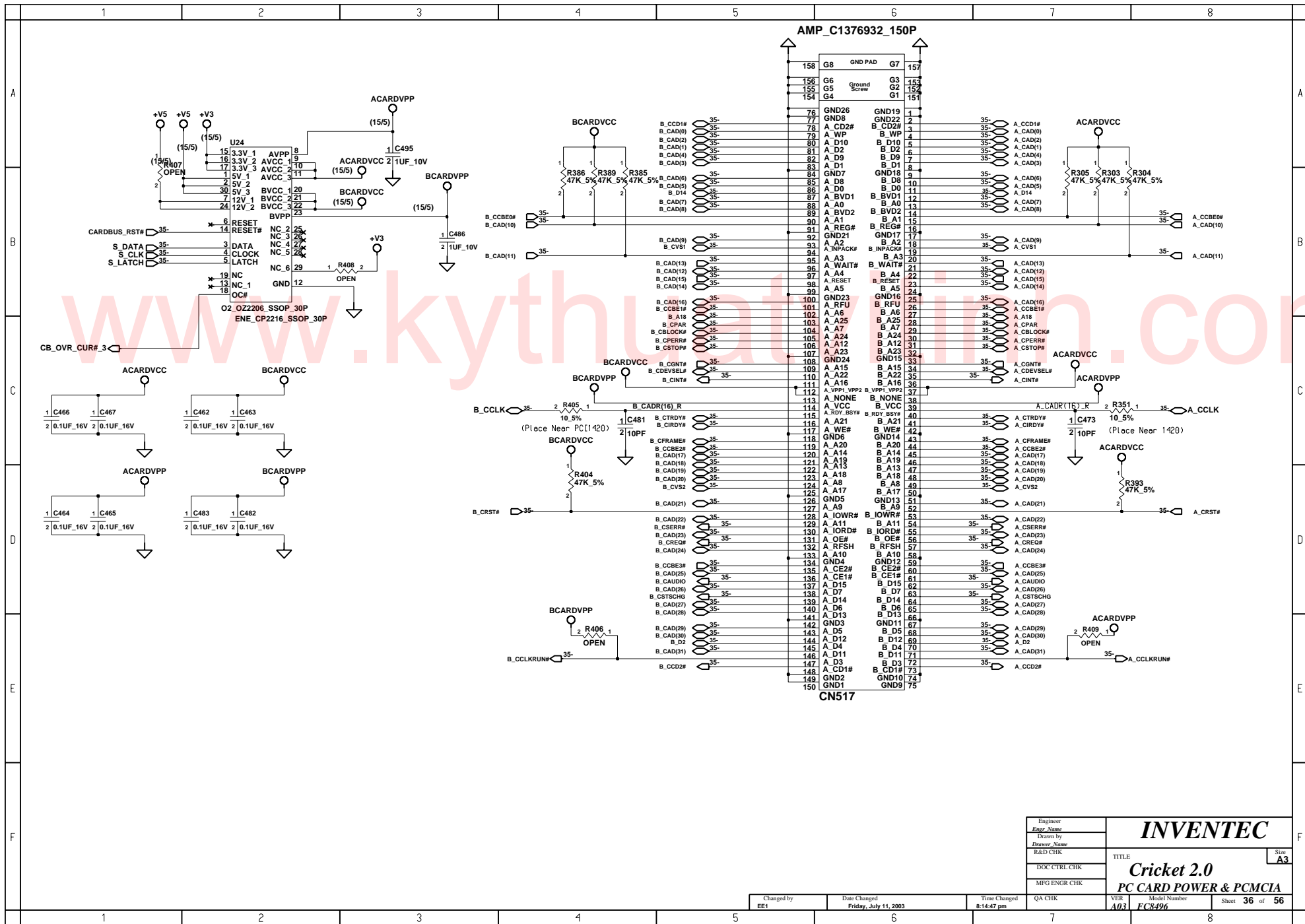
Changed by	Date Changed	Time Changed	QA CHK	REV	Drawing Number	Sheet 33 of 56
	Friday, July 11, 2003	8:14:38 pm				



www.kythuatvithn.com

Engineer	INVENTEC	
Drawn by	TITLE:	Size
DOC CTRL CHK	Cricket 2.0	A3
MFG ENGR CHK	SWITCHES / LEDS	

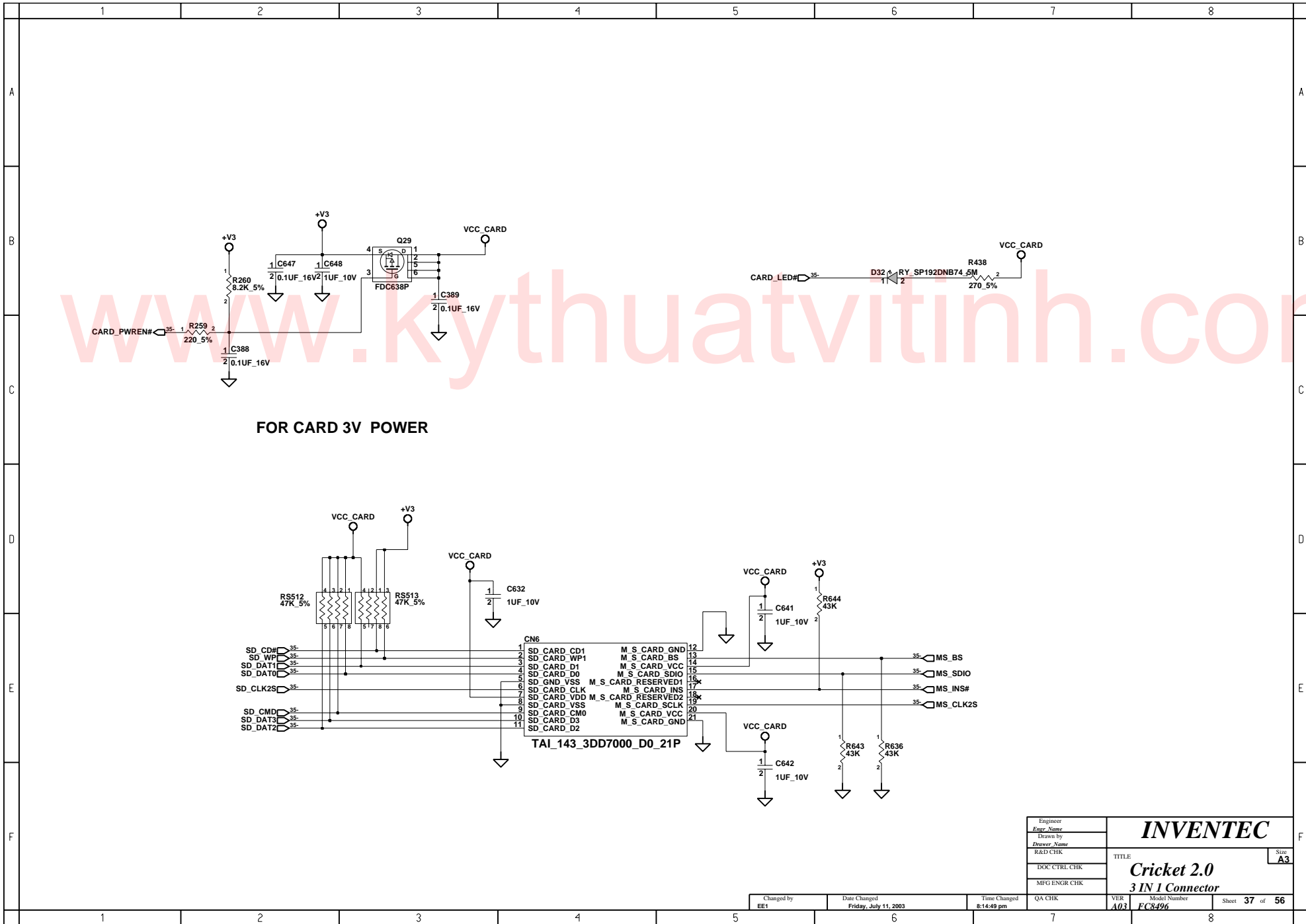
Changed by	Date Changed	Time Changed	UA CHK	REV	Drawing Number	Sheet 34 of 56
	Friday, July 11, 2003	8:14:41 pm				



Engineer	
Engr Name	
Drawn by	
Drawn Name	
R&D CHK	
DOC CTRL CHK	
MFG ENGR CHK	

INVENTEC	
TITLE	Size A3
Cricket 2.0	
PC CARD POWER & PCMCIA	

Changed by	Date Changed	Time Changed	QA CHK	VER	Model Number	Sheet
EE1	Friday, July 11, 2003	8:14:47 pm		A03	FC8496	36 of 56

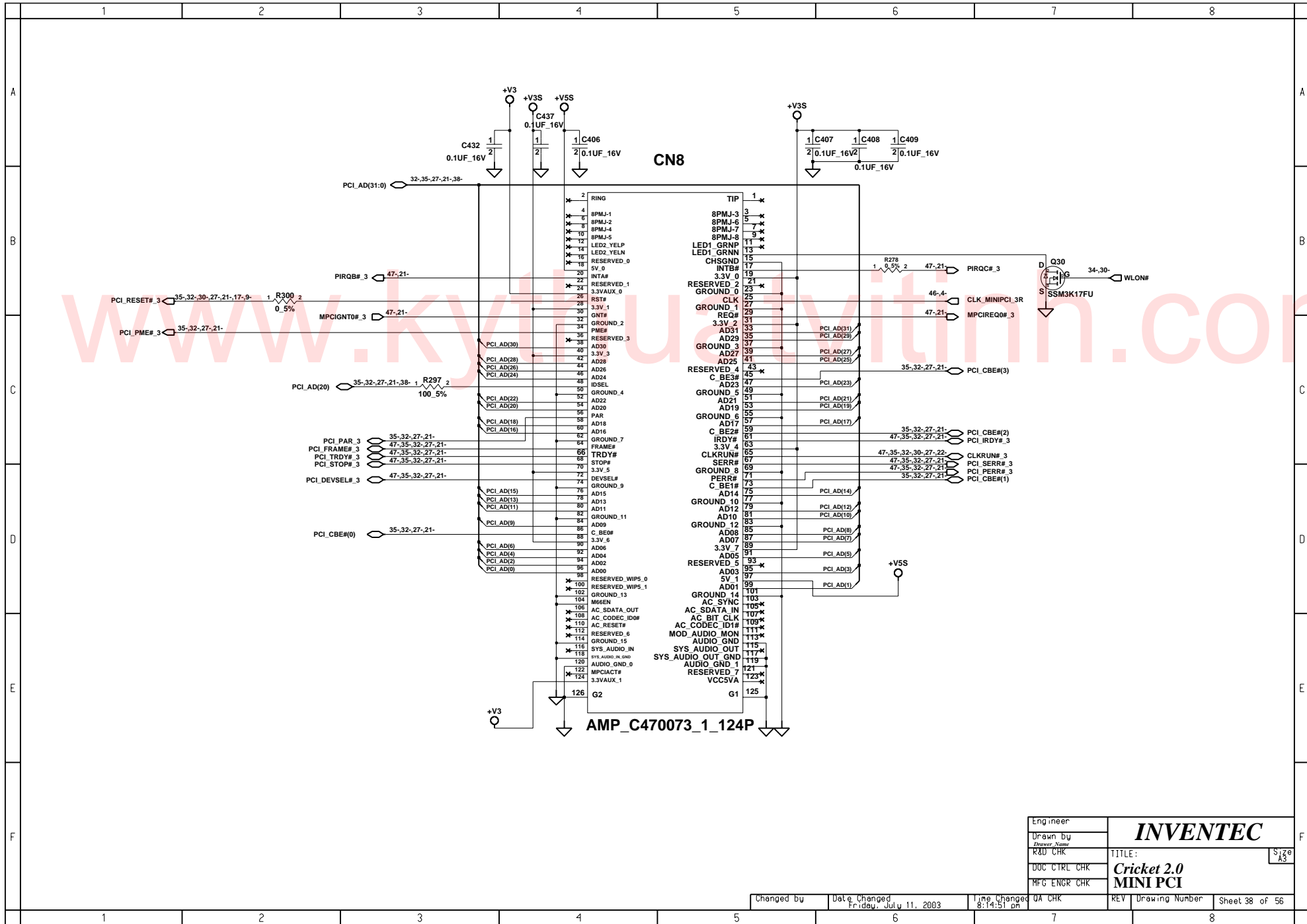


www.kythuatvithinh.com

Engineer <i>Engr Name</i>	INVENTEC	
Drawn by <i>Drawer Name</i>		
R&D CHK		TITLE
DOC CTRL CHK		Cricket 2.0
MFG ENGR CHK		3 IN 1 Connector

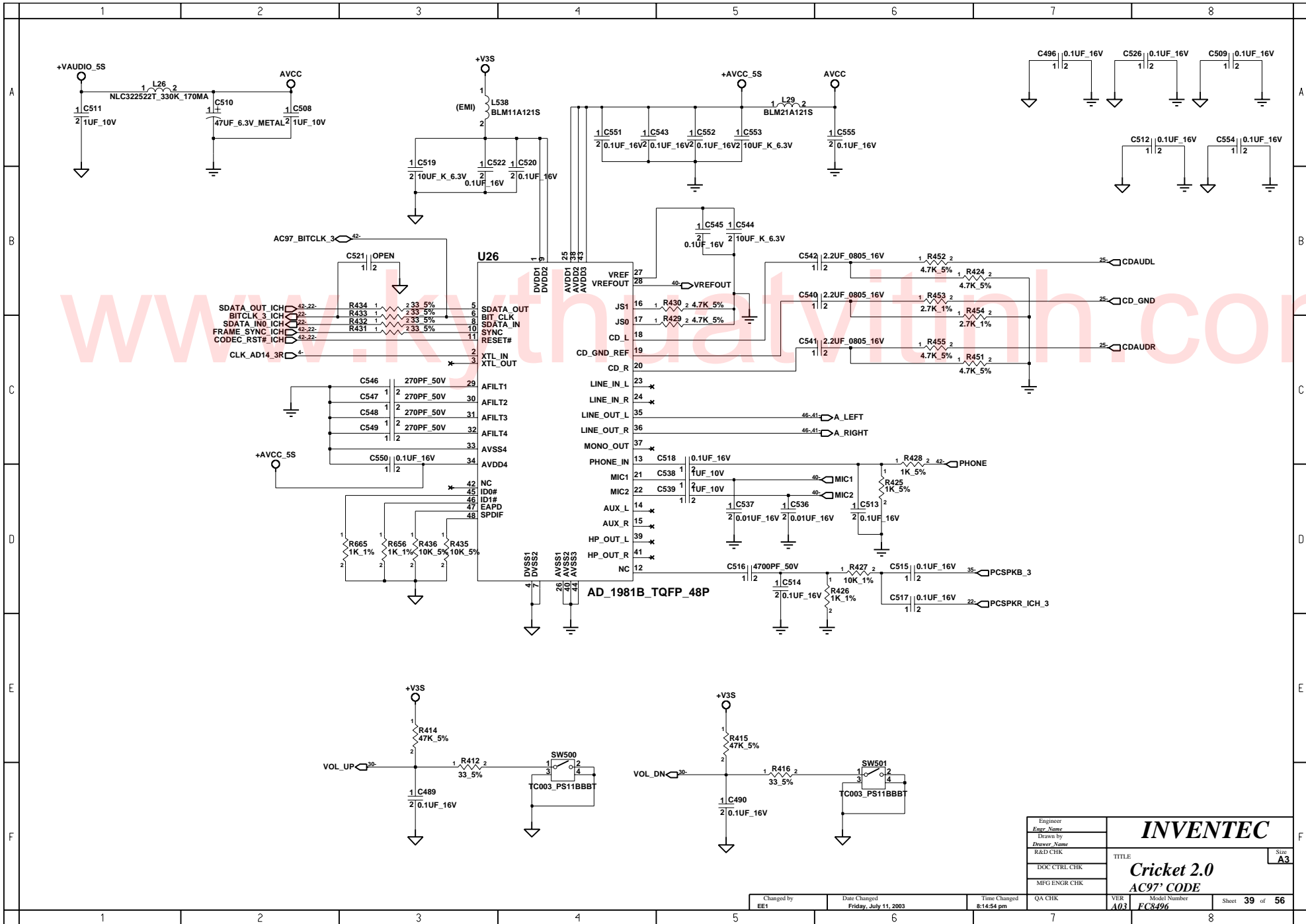
Changed by EE1	Date Changed Friday, July 11, 2003	Time Changed 8:14:49 pm	QA CHK	VER A031	Model Number FC8496	Sheet 37 of 56
--------------------------	--	-----------------------------------	--------	--------------------	-------------------------------	------------------------------

Size **A3**



Engineer	
Drawn by	INVENTEC
Drawn Name	
R&U CHK	TITLE: Cricket 2.0
DOC CTRL CHK	MINI PCI
MFG ENGR CHK	

Changed by	Date Changed	Time Changed	UA CHK	REV	Drawing Number	Sheet 38 of 56
	Friday, July 11, 2003	8:14:51 PM				



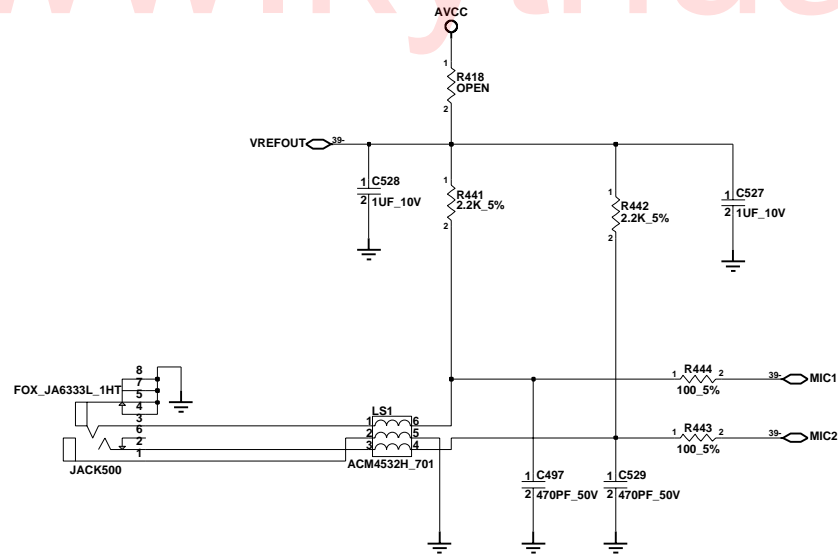
Engineer Engr Name	
Drawn by Drawer Name	
R&D CHK	TITLE
DOC CTRL CHK	Cricket 2.0
MFG ENGR CHK	AC97 CODE
VER A03	Model Number FC8496
QA CHK	Sheet 39 of 56

INVENTEC

Cricket 2.0
AC97 CODE

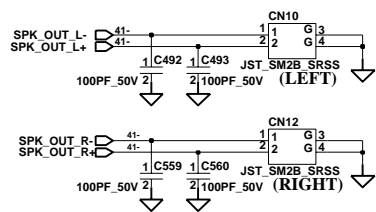
Size
A3

www.kythuatvithinh.com

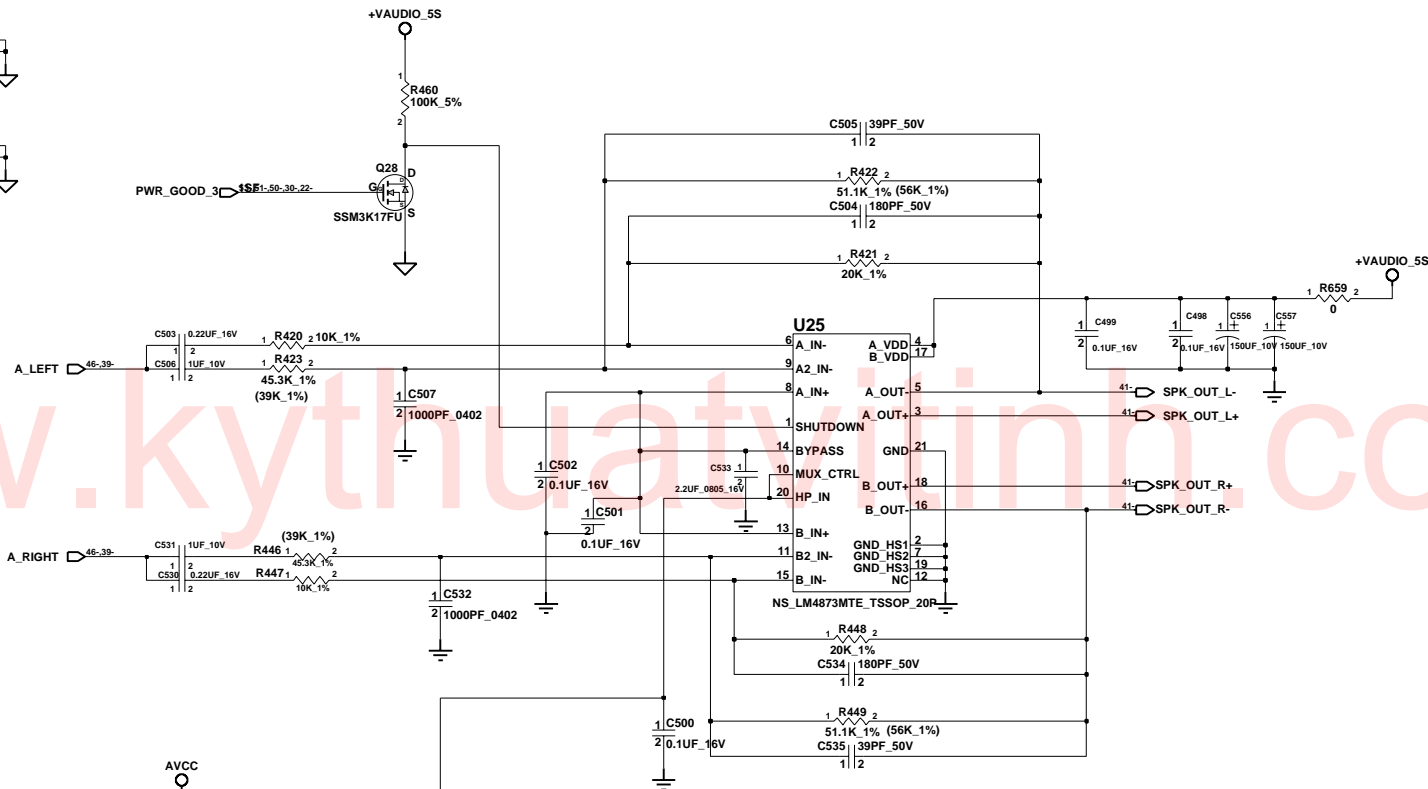


Engineer	
Engr Name	
Drawn by	
Drawn Name	
R&D CHK	
DOC CTRL CHK	
MFG ENGR CHK	
TITLE	Cricket 2.0
Model Number	VR & MIC JACK
VER	A031
Sheet	40 of 56
Size	A3

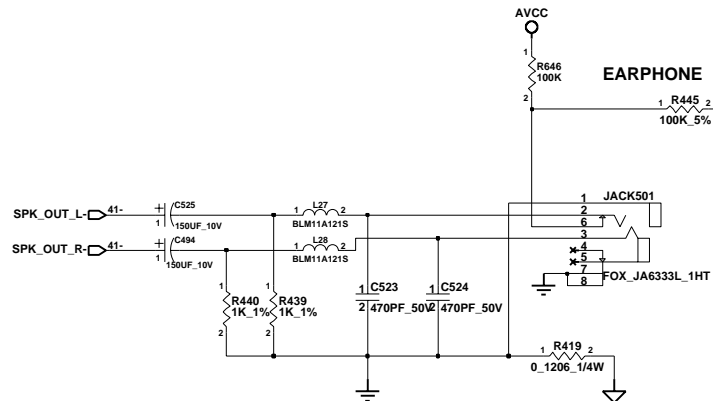
Changed by	Date Changed	Time Changed	QA CHK	VER	Model Number	Sheet
EE1	Friday, July 11, 2003	8:14:59 pm		A031	FC8496	40 of 56



INTERNAL SPEAKER

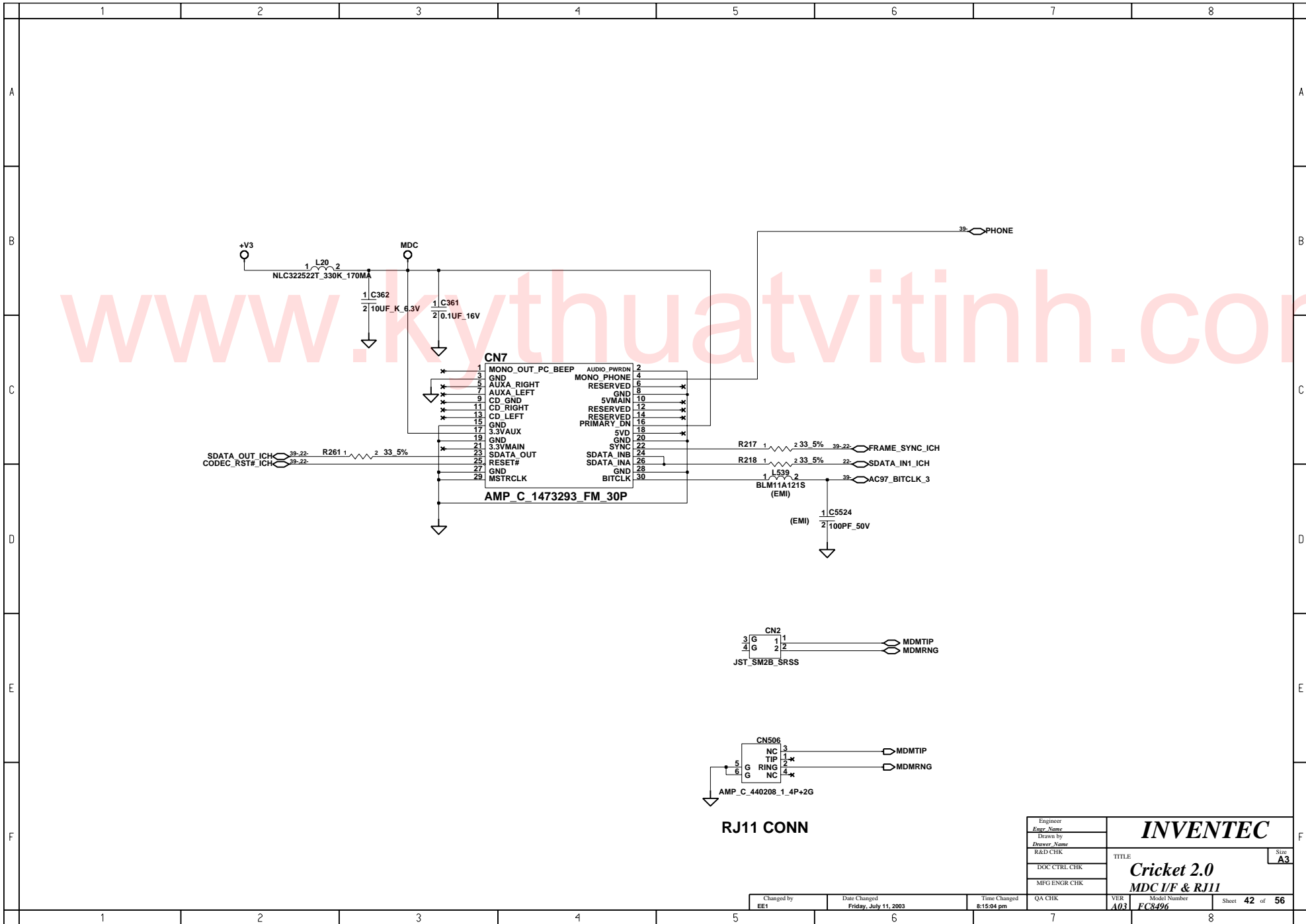


IF SPEAKER HAS NOISE
WE CAN REMOVE C493, C492, C533 AND C531
FEEDBACK CAPACITOR



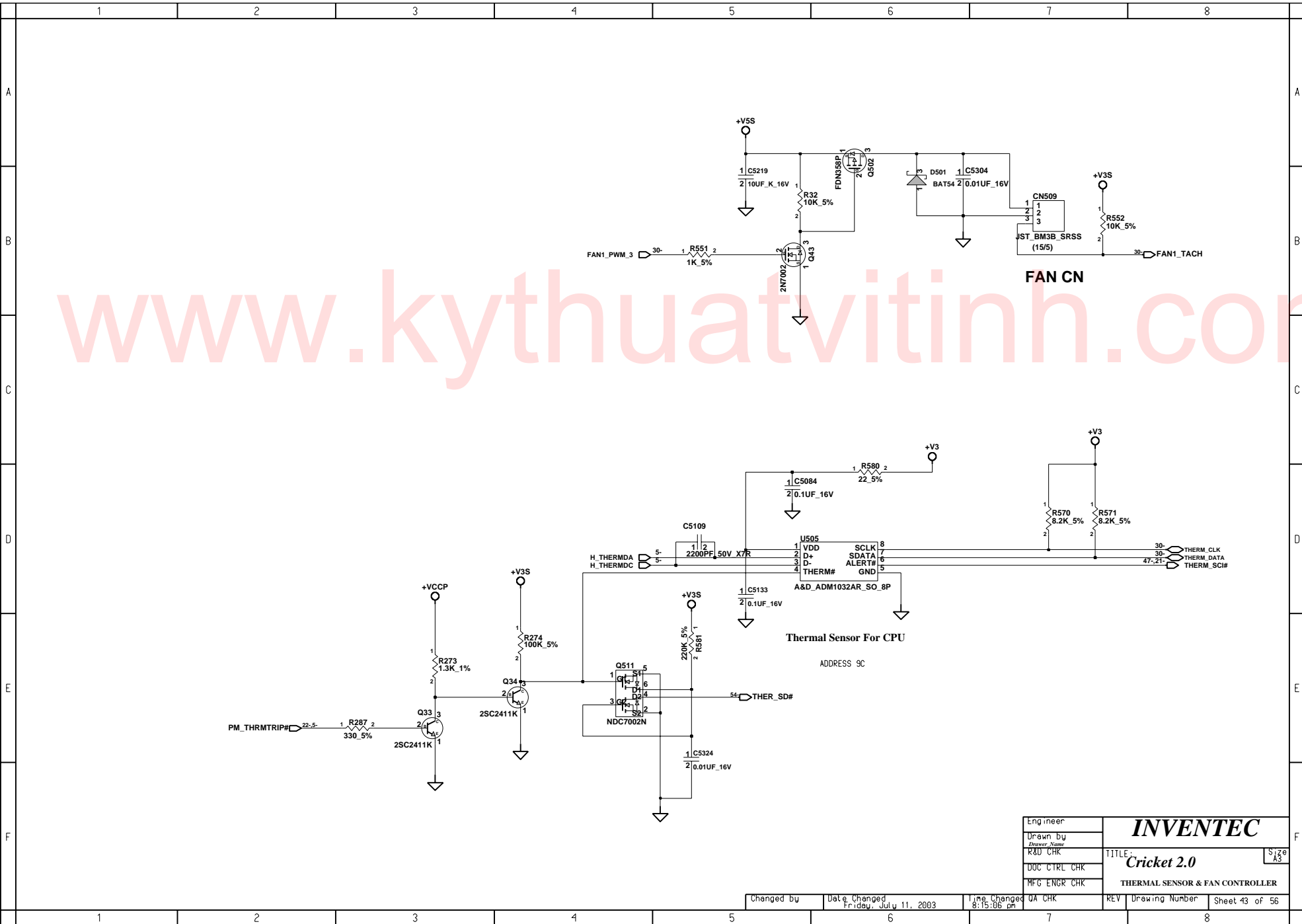
Engineer		INVENTEC TITLE: Cricket 2.0 AMP	Model Number FC8496	Sheet 41 of 56
Engr Name				
Drawn by				
R&D CHK				
DOC CTRL CHK				
MFG ENGR CHK				

Changed by	Date Changed	Time Changed	QA CHK	VER
EE1	Friday, July 11, 2003	8:15:01 pm		A03



Engineer	
Engr Name	
Drawn by	
Drawer Name	
R&D CHK	
DOC CTRL CHK	
MFG ENGR CHK	
TITLE	Cricket 2.0
	MDC I/F & RJ11
Model Number	FC8496
Sheet	42 of 56
Size	A3

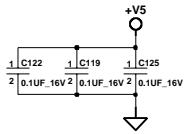
Changed by	Date Changed	Time Changed	QA CHK	VER	Model Number	Sheet	of	56
EE1	Friday, July 11, 2003	8:15:04 pm		A031	FC8496	42		56



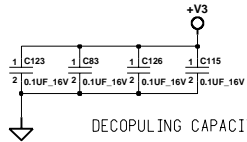
www.kythuativinh.com

Engineer	
Drawn by	
Drawn Name	
R&U CHK	
DOC CTRL CHK	
MFG ENGR CHK	
INVENTEC	
TITLE	Cricket 2.0
THERMAL SENSOR & FAN CONTROLLER	

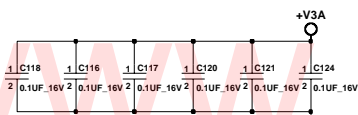
Changed by	Date Changed	Time Changed	UA CHK	REV	Drawing Number	Sheet 43 of 56
	Friday, July 11, 2003	8:15:06 pm				



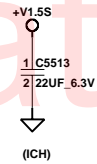
DECOPULING CAPACITORS FOR EMI



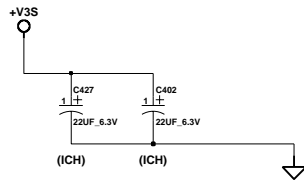
DECOPULING CAPACITORS FOR EMI



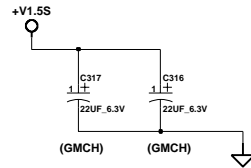
DECOPULING CAPACITORS FOR EMI



(ICH)



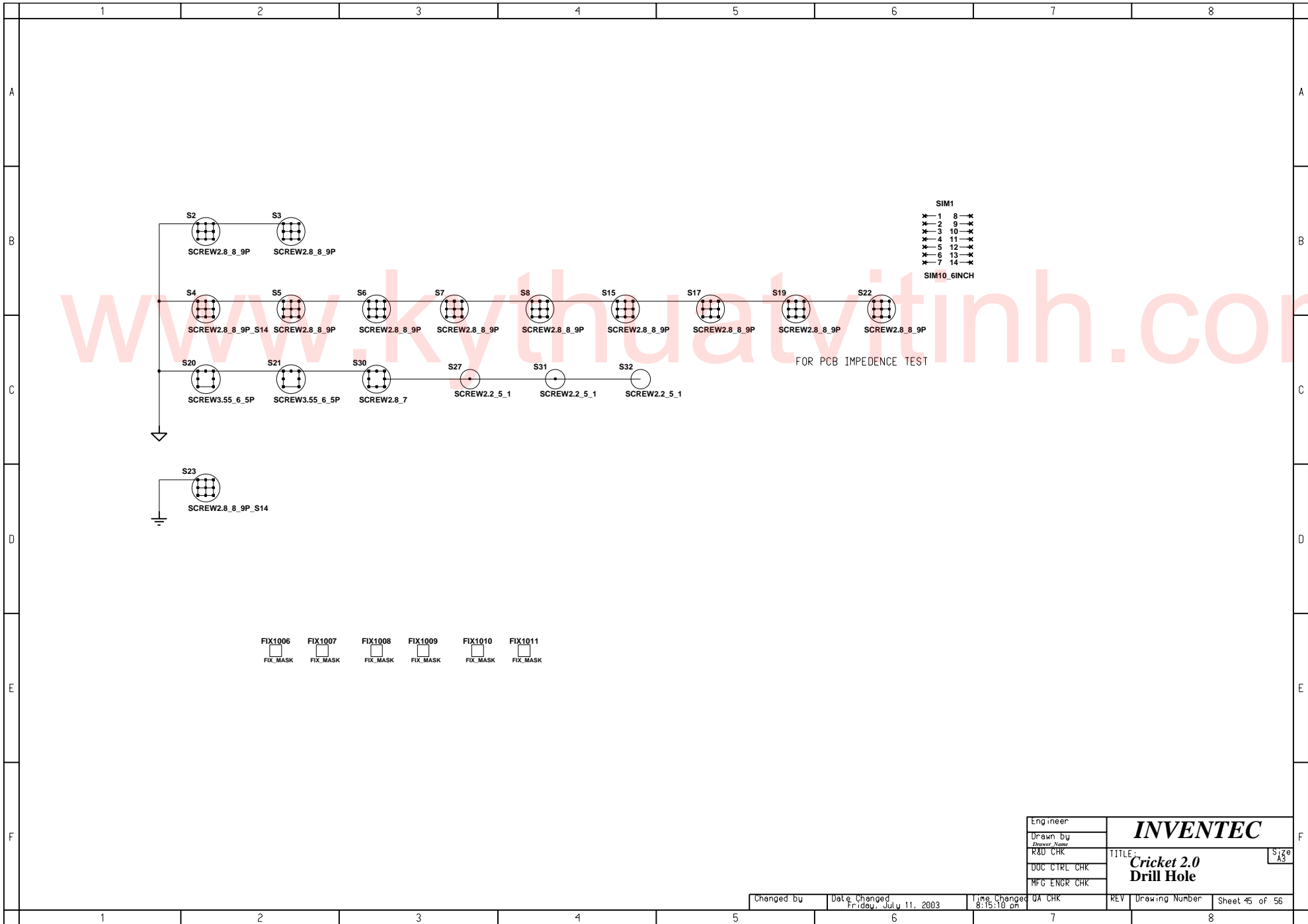
(ICH) (ICH)



(GMCH) (GMCH)

Engineer	INVENTEC		
Drawn by	R&D CHK		
DOC CTRL CHK	TITLE: Cricket 2.0		Size A3
MFG ENGR CHK	DECOUPLING CAPS		

Changed by EET	Date Changed Friday, July 11, 2003	Time Changed 8:15:08 pm	QA CHK	REV	Drawing Number	Sheet 44 of 56
-------------------	---------------------------------------	----------------------------	--------	-----	----------------	----------------



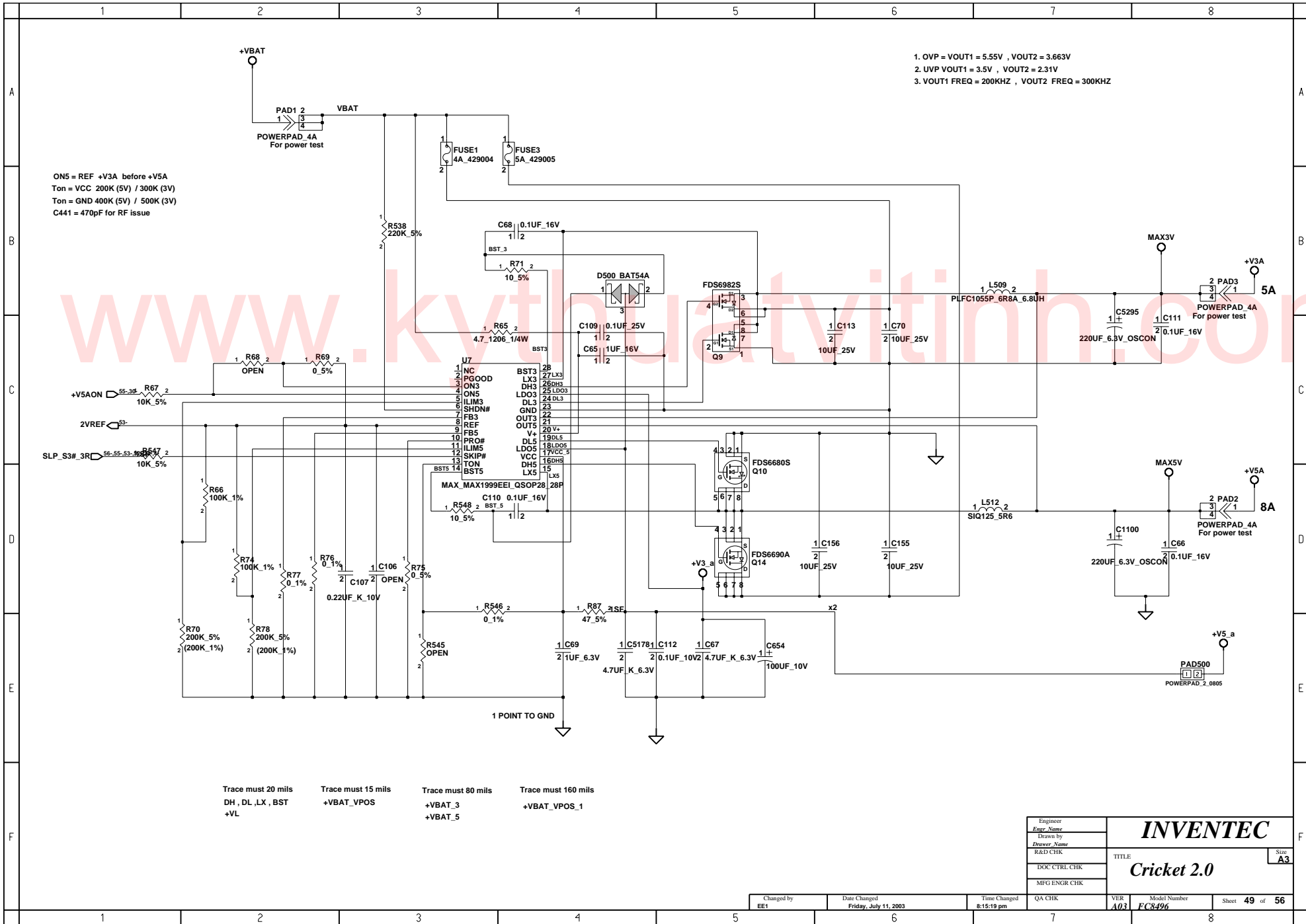
www.kyathatvithinh.com

FOR PCB IMPEDENCE TEST

- FIX1006
FIX_MASK
- FIX1007
FIX_MASK
- FIX1008
FIX_MASK
- FIX1009
FIX_MASK
- FIX1010
FIX_MASK
- FIX1011
FIX_MASK

Engineer	INVENTEC				
Drawn By					
R&D CHK				TITLE: Cricket 2.0	Size
DOC CTRL CHK				Drill Hole	A3
MFG ENGR CHK	REV	Drawing Number	Sheet 45 of 56		

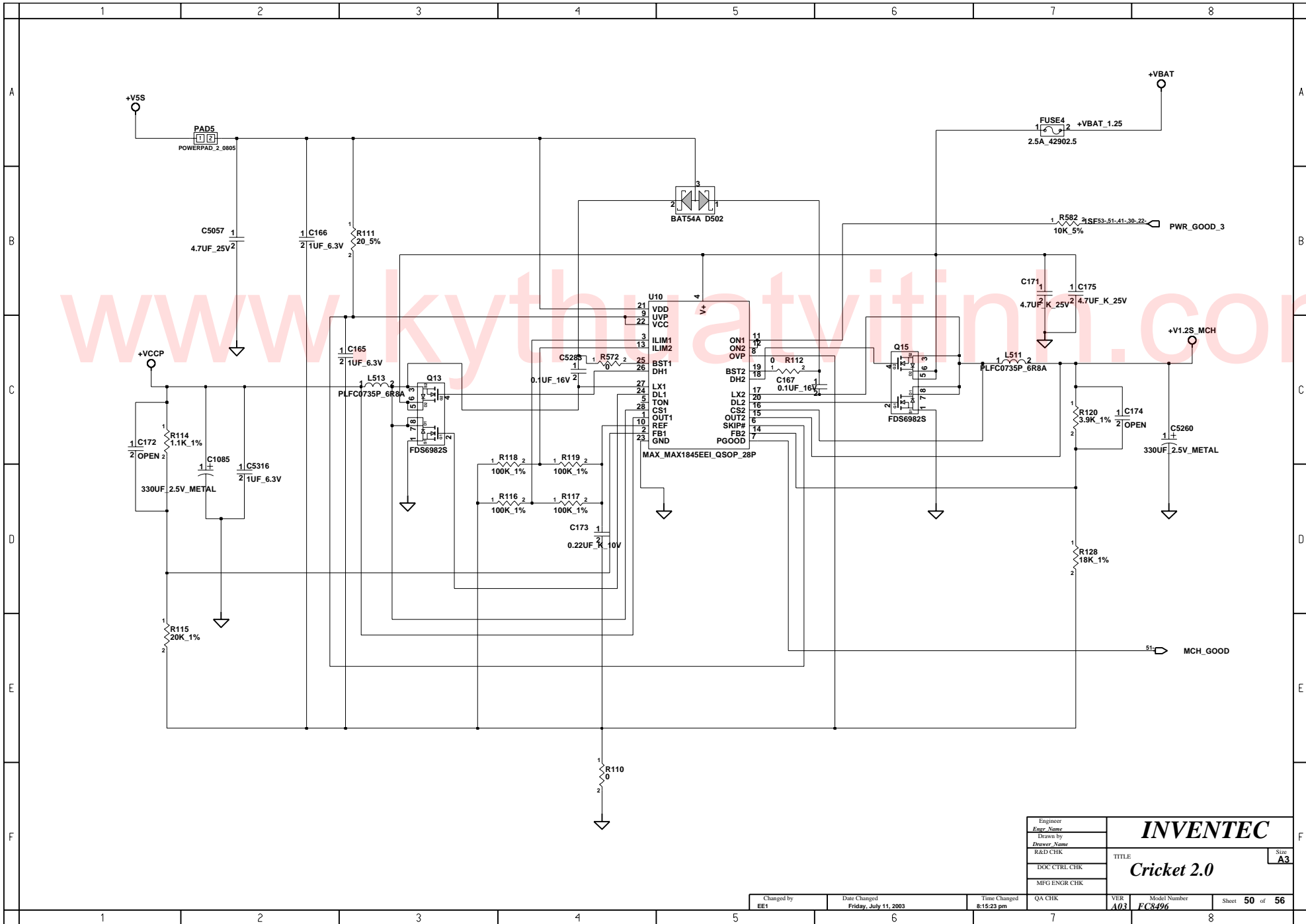
Changed by: [] Date Changed: Friday, July 11, 2003 Time Changed: 8:15:10 PM



Engineer	
Engr Name	
Drawn by	
Drawn Name	
R&D CHK	
DOC CTRL CHK	
MFG ENGR CHK	

TITLE	INVENTEC
	Cricket 2.0
Size	A3

Changed by	Date Changed	Time Changed	QA CHK	VER	Model Number	Sheet
EE1	Friday, July 11, 2003	8:15:19 pm		A031	FC8496	49 of 56

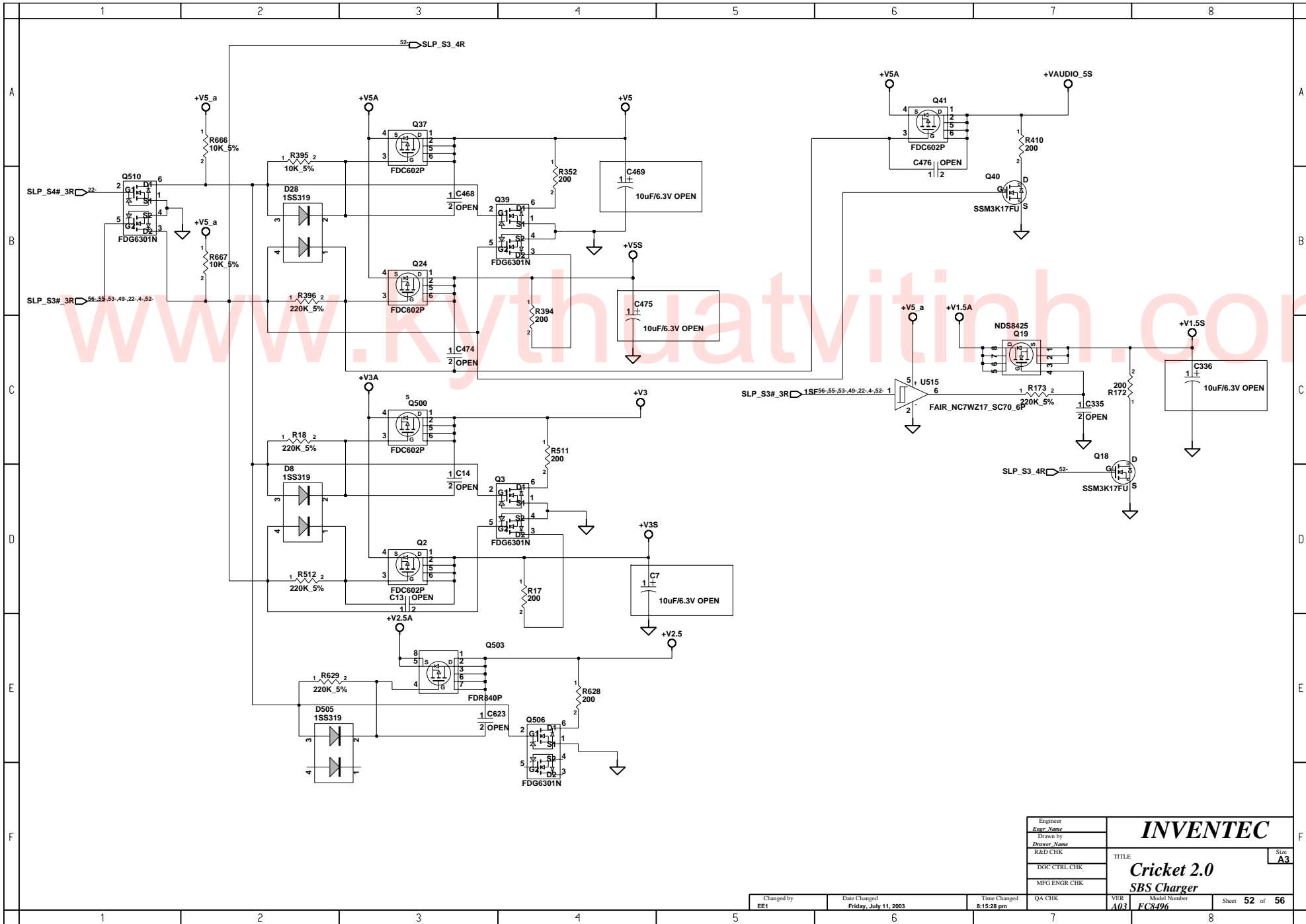


Engineer	
Eng. Name	
Drawn by	
Drawer Name	
R&D CHK	
DOC CTRL CHK	
MFG ENGR CHK	
TITLE	Cricket 2.0
Size	A3

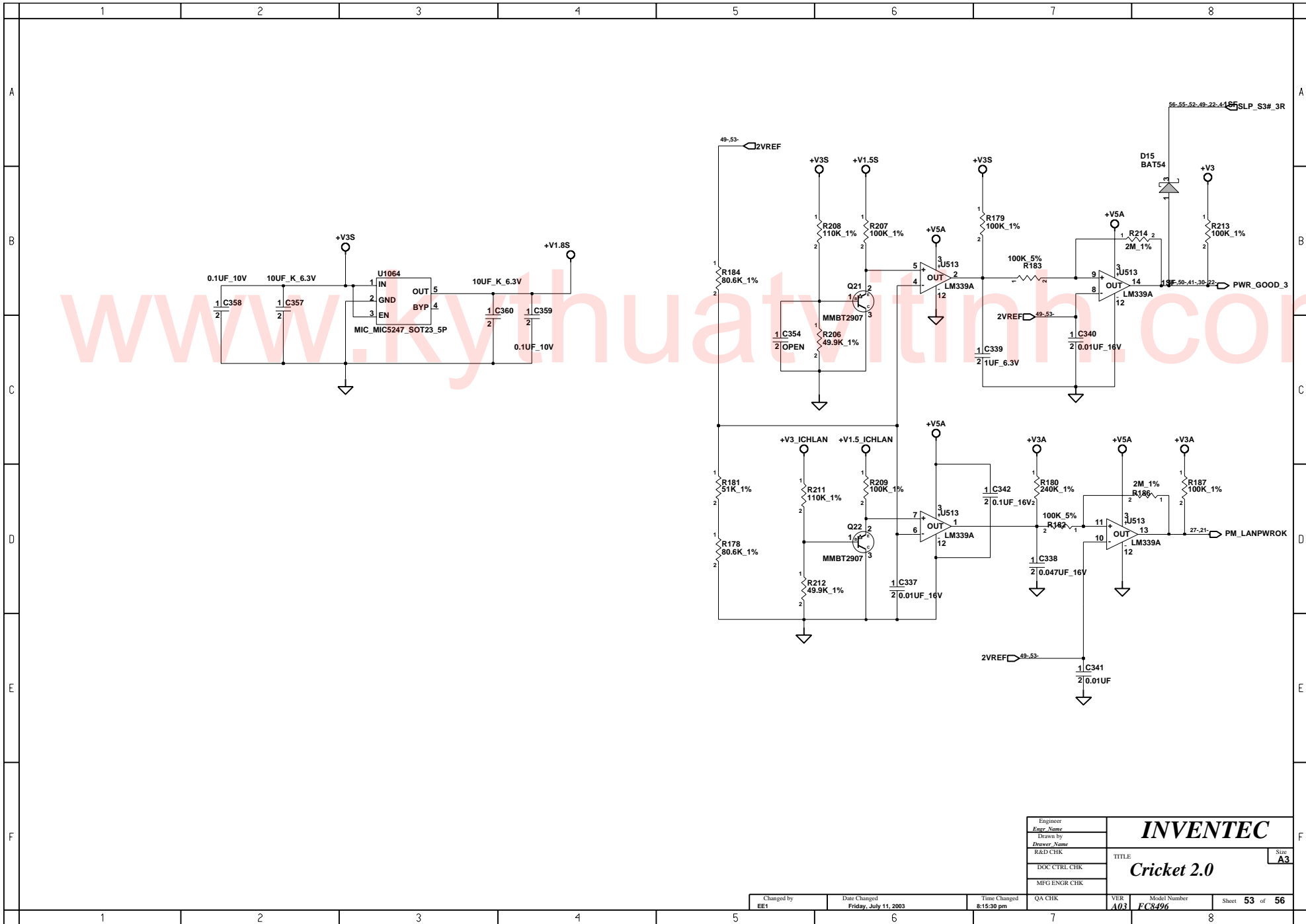
INVENTEC

Cricket 2.0

Changed by	Date Changed	Time Changed	QA CHK	VER	Model Number	Sheet
EE1	Friday, July 11, 2003	8:15:23 pm		A03	FC8496	50 of 56



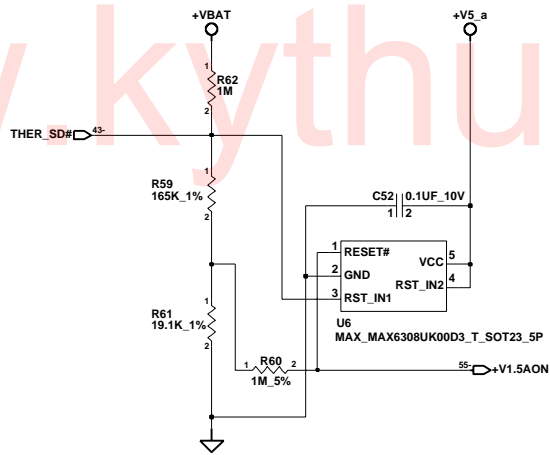
Engineer		INVENTEC	Size A3
Engn Name			
Drawn by			
R&D CHK			
DOC CTRL CHK			
MFG ENGR CHK		TITLE	
		Cricket 2.0	
		SBS Charger	
Changed by	Date Changed	Time Changed	QA CHK
EE1	Friday, July 11, 2003	8:15:28 pm	
VER	Model Number	Sheet	56
A03	EC8496	52 of	



Engineer		INVENTEC	Size A3
Enger Name			
Drawn by			
Drawer Name			
R&D CHK			
DOC CTRL CHK		TITLE	Cricket 2.0
MFG ENGR CHK			

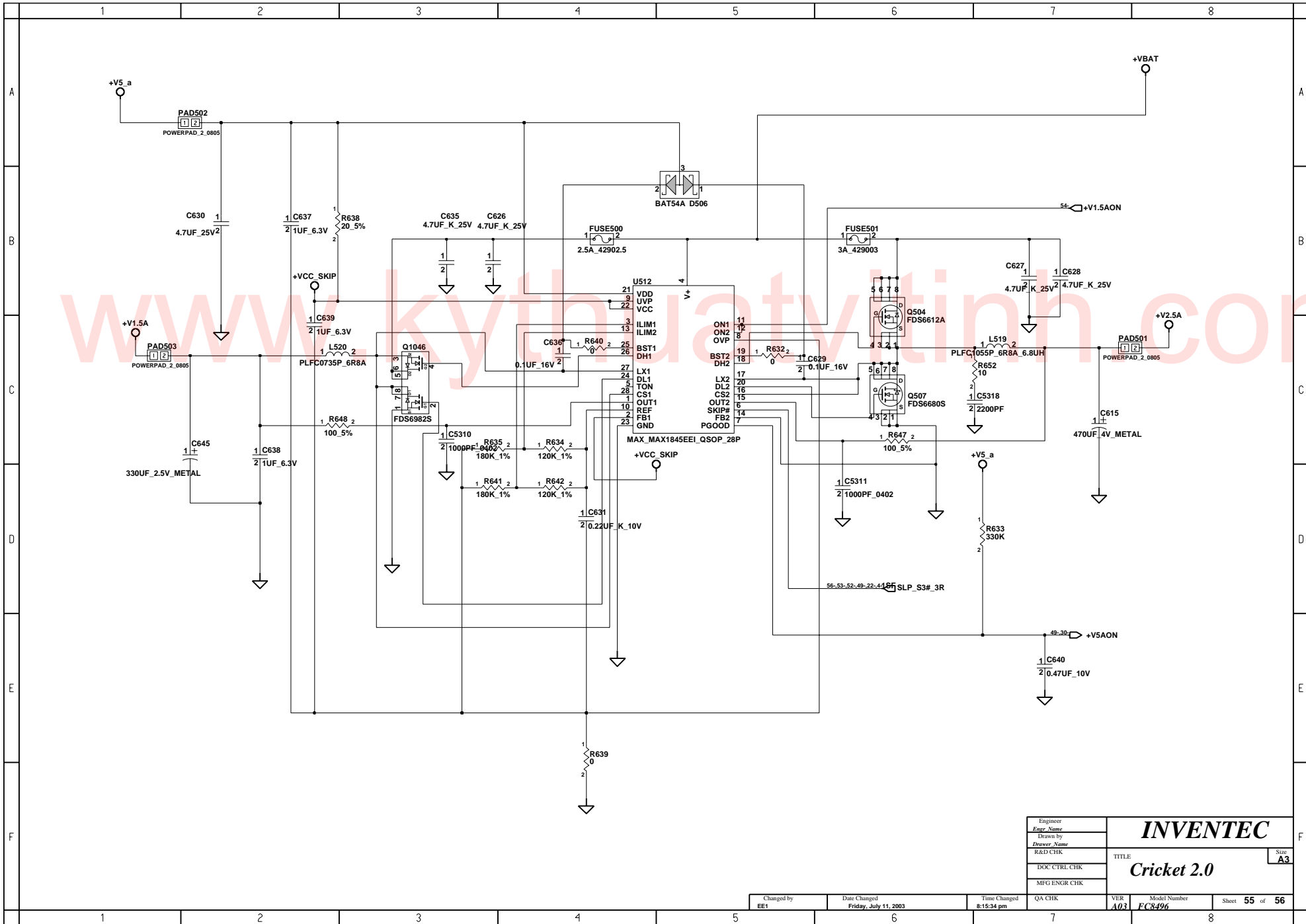
Changed by	Date Changed	Time Changed	QA CHK	VER	Model Number	Sheet
EE1	Friday, July 11, 2003	8:15:30 pm		A03	FC8496	53 of 56

www.kythuatvithinh.com



Engineer	
Engr Name	
Drawn by	
Drawer Name	
R&D CHK	
DOC CTRL CHK	
MFG ENGR CHK	
TITLE	INVENTEC
	Cricket 2.0
Size	A3

Changed by	Date Changed	Time Changed	QA CHK	VER	Model Number	Sheet
EE1	Friday, July 11, 2003	8:15:32 pm		A031	FC8496	54 of 56



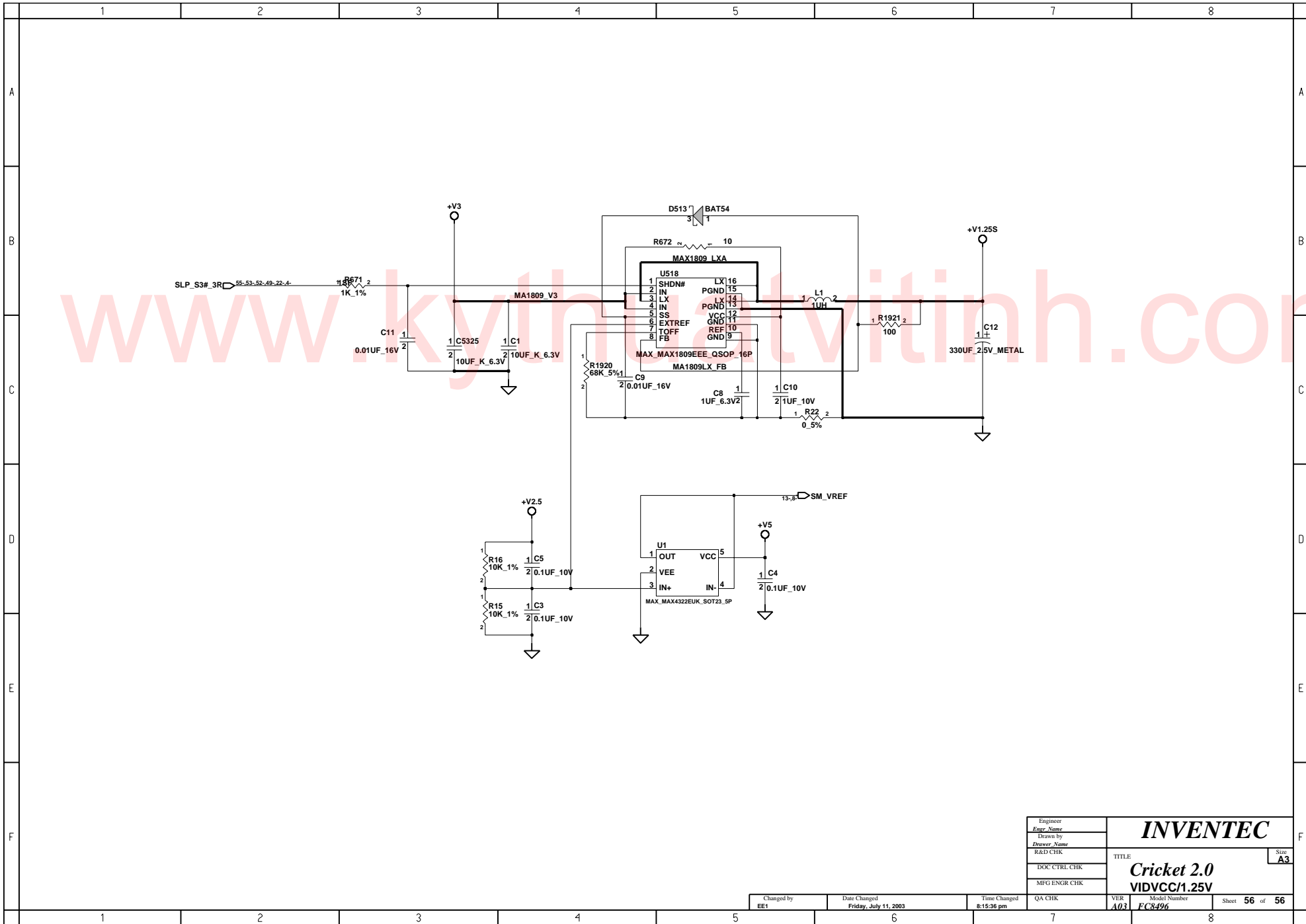
Engineer	
Engr Name	
Drawn by	
Drawn Name	
R&D CHK	
DOC CTRL CHK	
MFG ENGR CHK	

INVENTEC

Cricket 2.0

Size **A3**

Changed by	Date Changed	Time Changed	QA CHK	VER	Model Number	Sheet
EE1	Friday, July 11, 2003	8:15:34 pm		A03	FC8496	55 of 56



www.kyath.com

Engineer <i>Engr Name</i>	INVENTEC	
Drawn by <i>Drawer Name</i>		
R&D CHK		TITLE
DOC CTRL CHK		Cricket 2.0
MFG ENGR CHK		VIDVCC/1.25V

Changed by EE1	Date Changed Friday, July 11, 2003	Time Changed 8:15:36 pm	QA CHK	VER A03	Model Number FC8496	Sheet 56 of 56
-------------------	---------------------------------------	----------------------------	--------	------------	------------------------	-------------------