



**TABLE OF CONTENTS**

<b>PAGE</b>	<b>PAGE</b>	<b>PAGE</b>
1.COVER PAGE	33. HDMI TRANSMITTER	58.MDC 1.5 CONN
2.INDEX	34.S/B ICH8 1	59.LED(M/B) & HOTKEY/B CONN
3.BLOCK DIAGRAM	35.S/B ICH8 2	60.PICK BUTTON BOARD
4.POWER SEQUENCE BLOCK	36.S/B ICH8 3	61.KILL SWITCH& HALL SENSOR
5-12.SYSTEM POWER	37.S/B ICH8 4	62.DRILL HOLE
13.CLOCK GENERATOR	38.S/B ICH8 5	63.EMI
14.CPU Merom1	40.3 IN 1 CARD SLOT	
15.CPU Merom2	41.CARDBUS CONTROLLER	
16.CPU Merom3	42.PCMCIA CONN	
17.CPU Merom4		
18.FAN & THERMAL CONTROLLER	43.EXPRESS CARD CONN	
19.N/B Crestline 1	44.LAN CONTROLLER	
20.N/B Crestline 2	45.RJ45 & TRANSFORMER	
21.N/B Crestline 3	46.ROBSON & WLAN	
22.N/B Crestline 4	47.SATA HDD1 CONN	
23.N/B Crescline 5	48.CAMERA CONN	
24.N/B Crestline 6	49.ODD CONN	
25.N/B Crestline 7	50.USB CONN	
26.DDR2 DIMM0	51. N/A	
27.DDR2 DIMM1	52.HD_DVD	
28.DDR DAMPING	53.KBC	
29.N/A	54.K/B & TP/B CONN	
30.CRT CONN	55.HDMI CONN	
31.N/A	56.AZALIA CODEC	
32.LCM CONN	57.AUDIO AMP & MIC & HP	

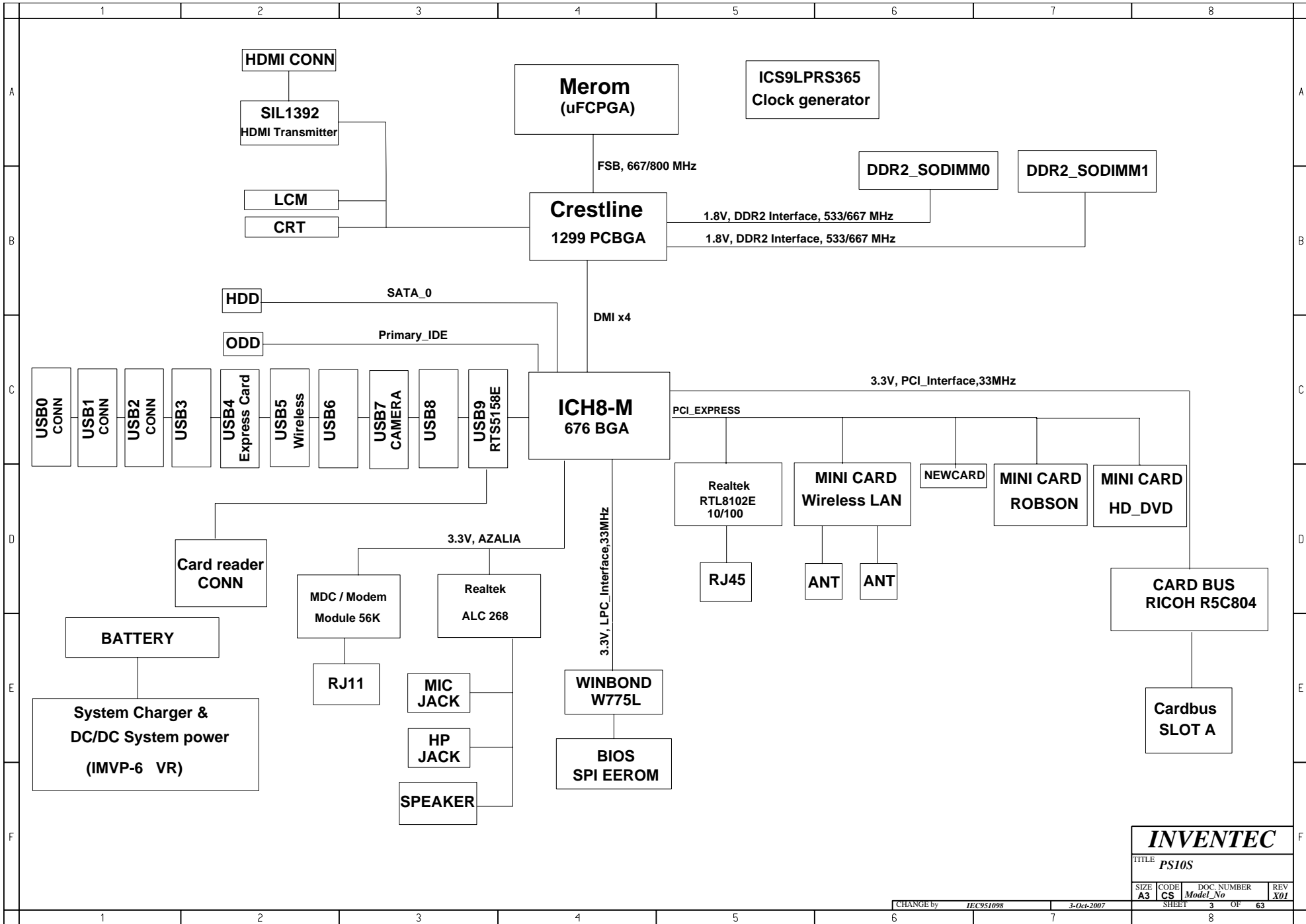
**INVENTEC**

TITLE  
*PS10S*

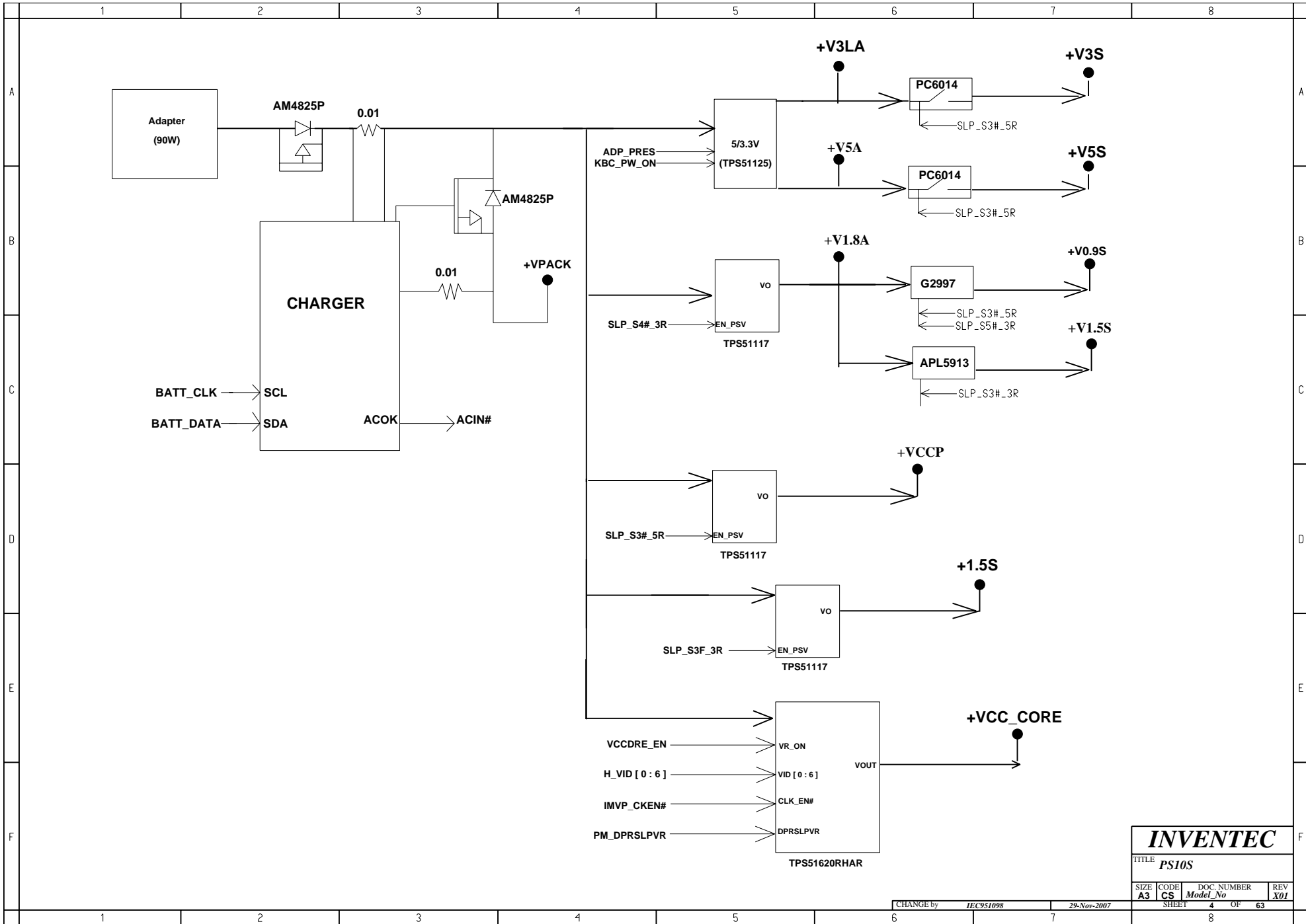
SIZE <b>A3</b>	CODE <b>CS</b>	DOC. NUMBER <i>Model_No</i>	REV <b>X01</b>
SHEET		2	OF 63

CHANGE by *IEC951098*      28-Aug-2007

8

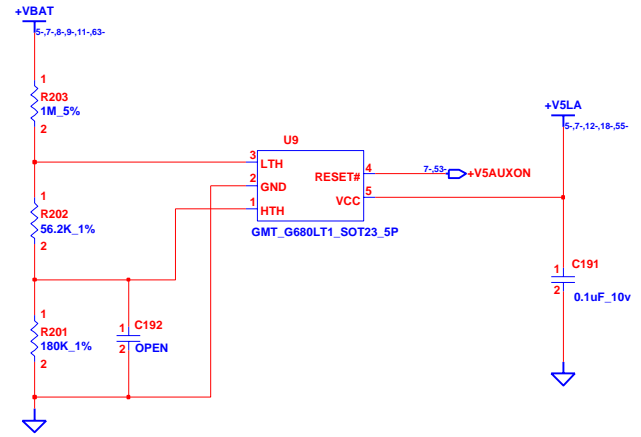
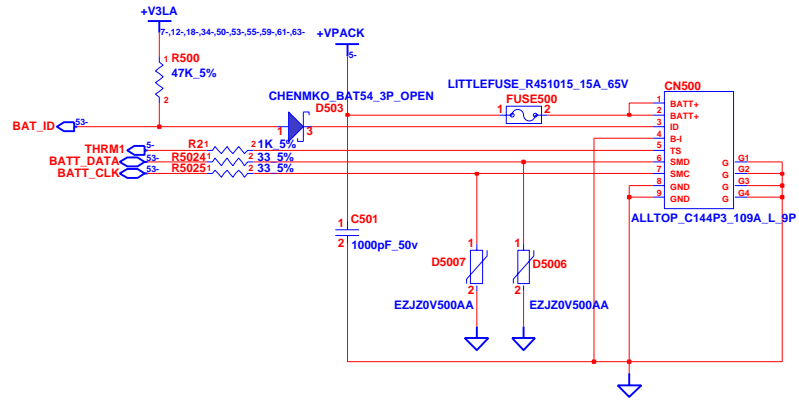


<b>INVENTEC</b>			
TITLE <i>PS10S</i>			
SIZE <b>A3</b>	CODE <b>CS</b>	DOC. NUMBER <i>Model_No</i>	REV <b>X01</b>
CHANGE by <i>IEC951098</i>		3-Oct-2007	
SHEET 3		OF 63	



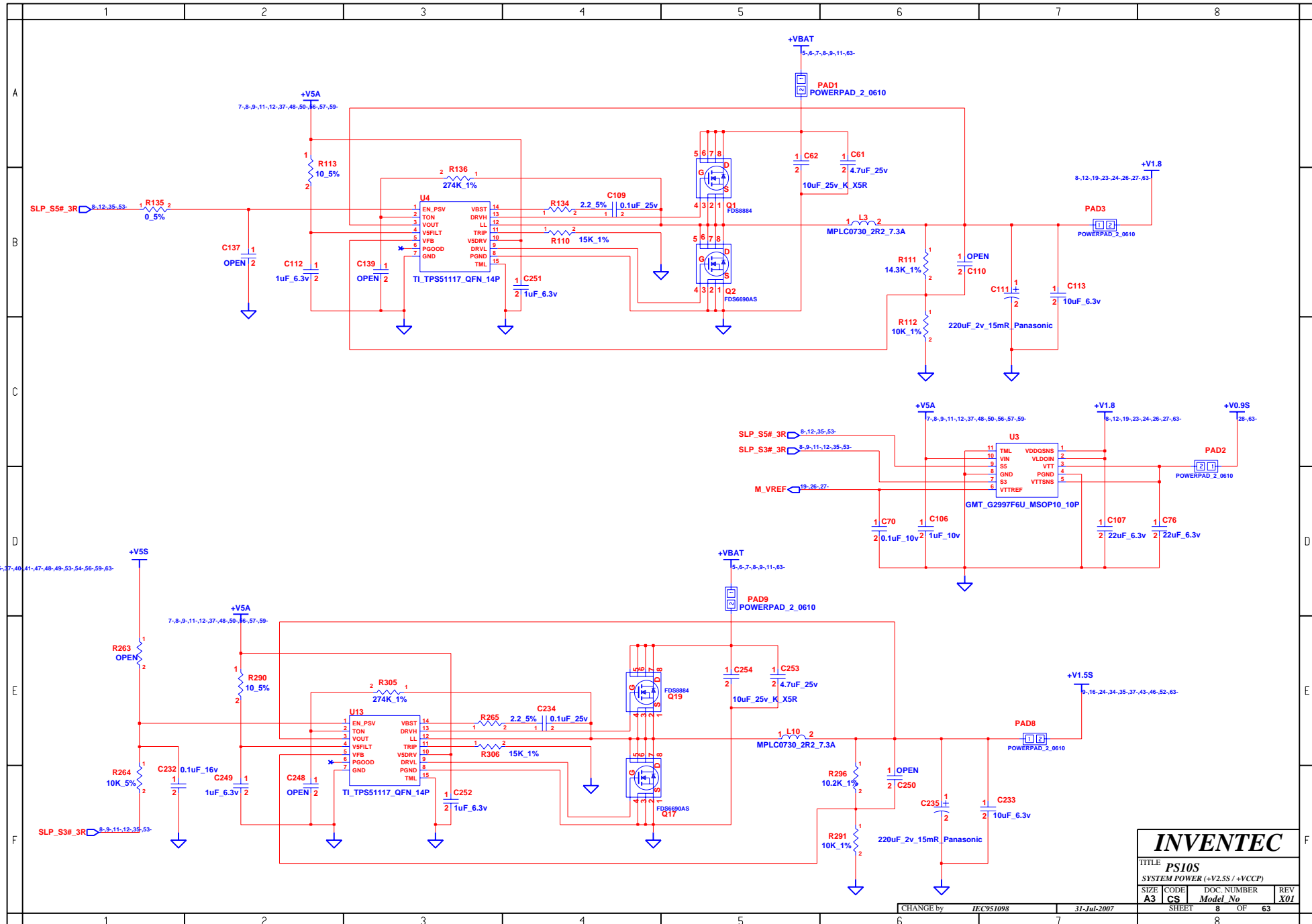
<b>INVENTEC</b>			
TITLE <b>PS10S</b>			
SIZE <b>A3</b>	CODE <b>CS</b>	DOC. NUMBER <i>Model_No</i>	REV <b>X01</b>
CHANGE by <b>IEC951098</b>		29-Nov-2007	
SHEET <b>4</b>		OF <b>63</b>	





<b>INVENTEC</b>			
TITLE <b>PS10S BATTERY CONN</b>			
SIZE <b>A3</b>	CODE <b>CS</b>	DOC. NUMBER <i>Model No</i>	REV <b>X01</b>
CHANGE by <i>IEC951098</i>		31-Jul-2007	
SHEET <b>6</b>		OF <b>63</b>	



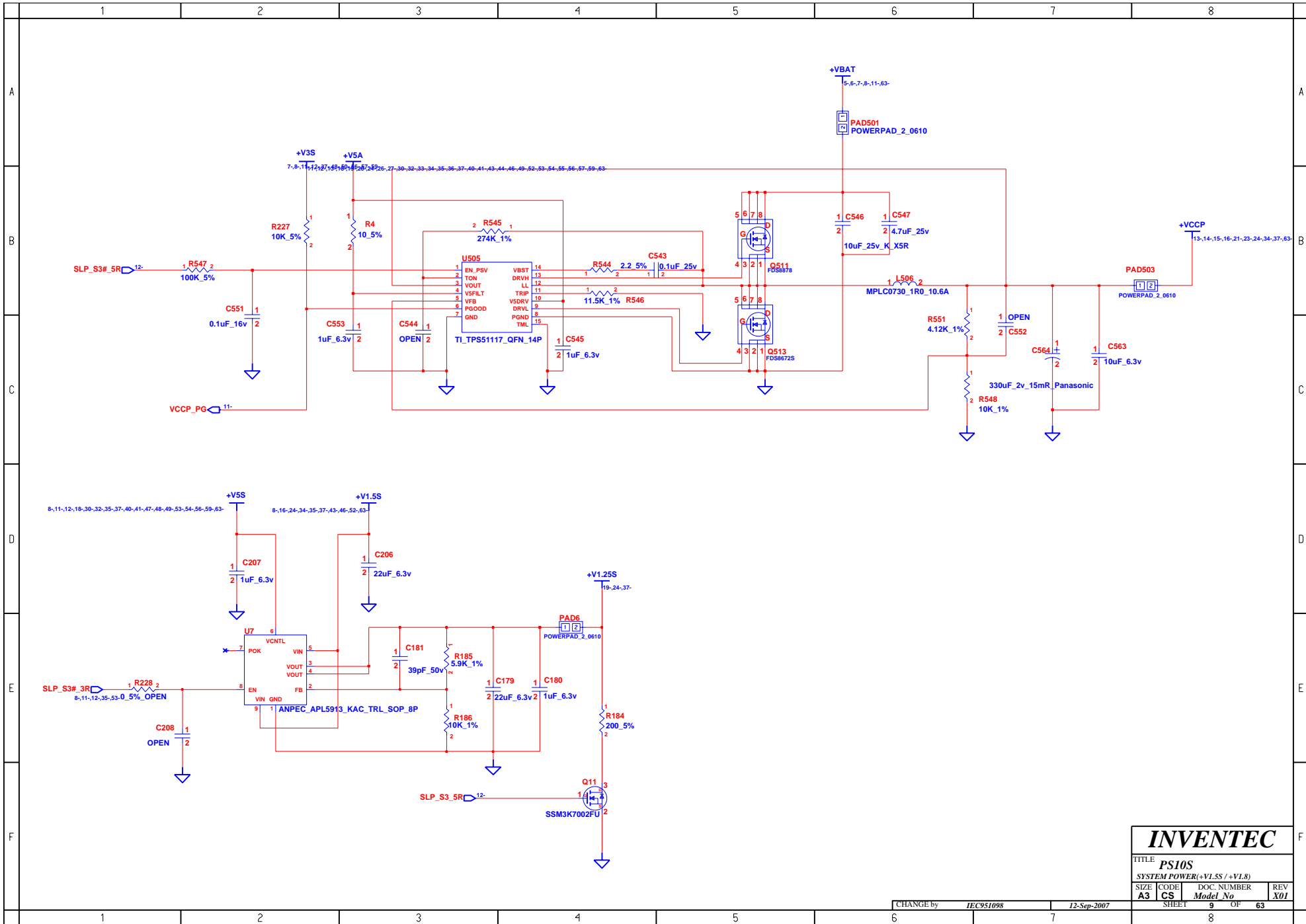


**INVENTEC**

TITLE **PS10S**  
 SYSTEM POWER (+V2.SS / +VCCP)

SIZE <b>A3</b>	CODE <b>CS</b>	DOC. NUMBER <b>Model No</b>	REV <b>X01</b>
----------------	----------------	-----------------------------	----------------





# INVENTEC

TITLE			
PS10S			
SYSTEM POWER(+V1.5S / +V1.8)			
SIZE	CODE	DOC. NUMBER	REV
A3	CS	Model No	X01

CHANGE by	IEC951098	12-Sep-2007	SHEET	9	OF	63
-----------	-----------	-------------	-------	---	----	----

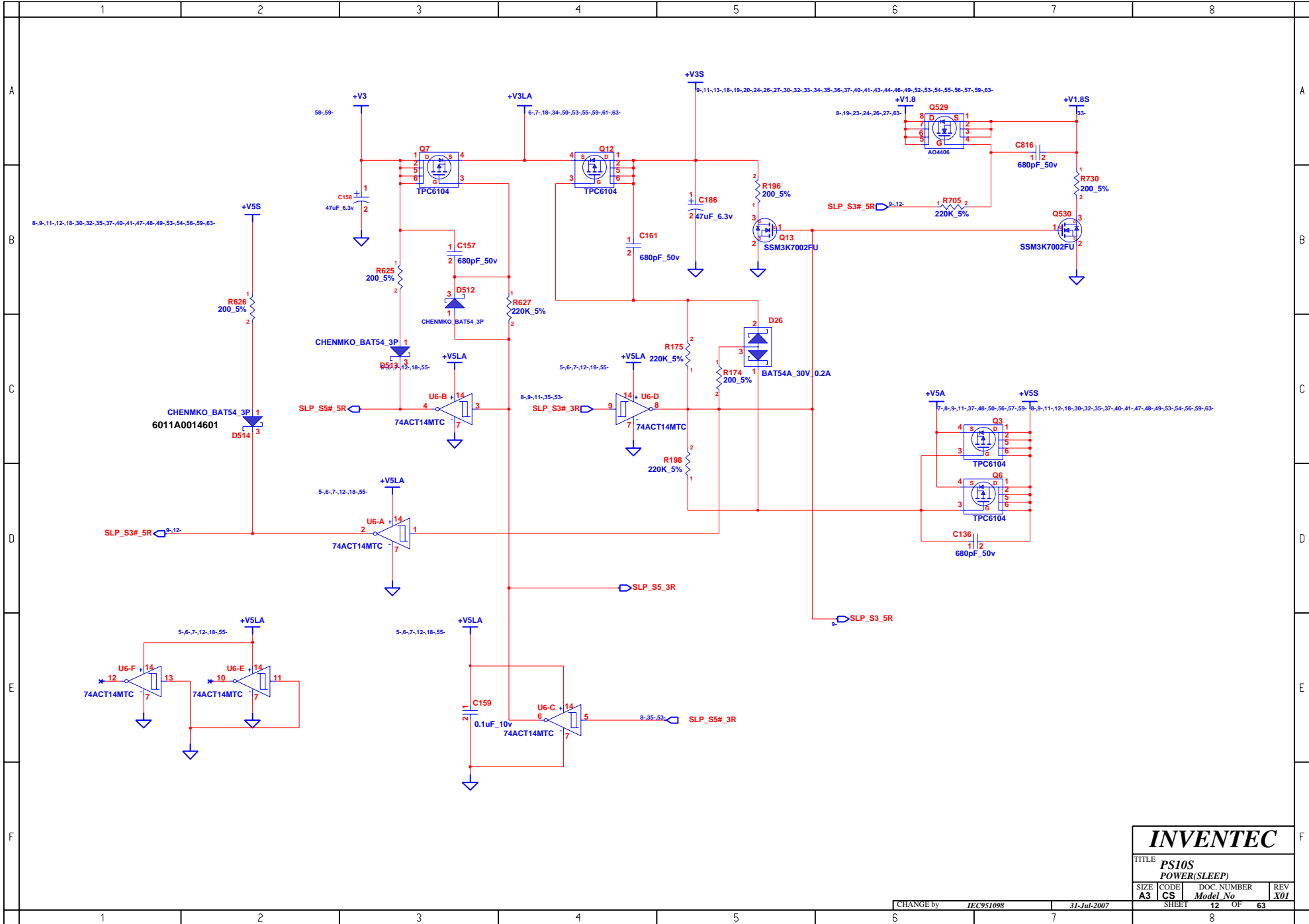
**BLANK**

**INVENTEC**

TITLE			
<i>PS10S</i>			
<i>CPU POWER(VCC_CORE)</i>			
SIZE	CODE	DOC. NUMBER	REV
<b>A3</b>	<b>CS</b>	<i>Model No.</i>	<b>X01</b>
SHEET		10	OF 63

CHANGE by *IEC951098* 30-Nov-2007





# INVENTEC

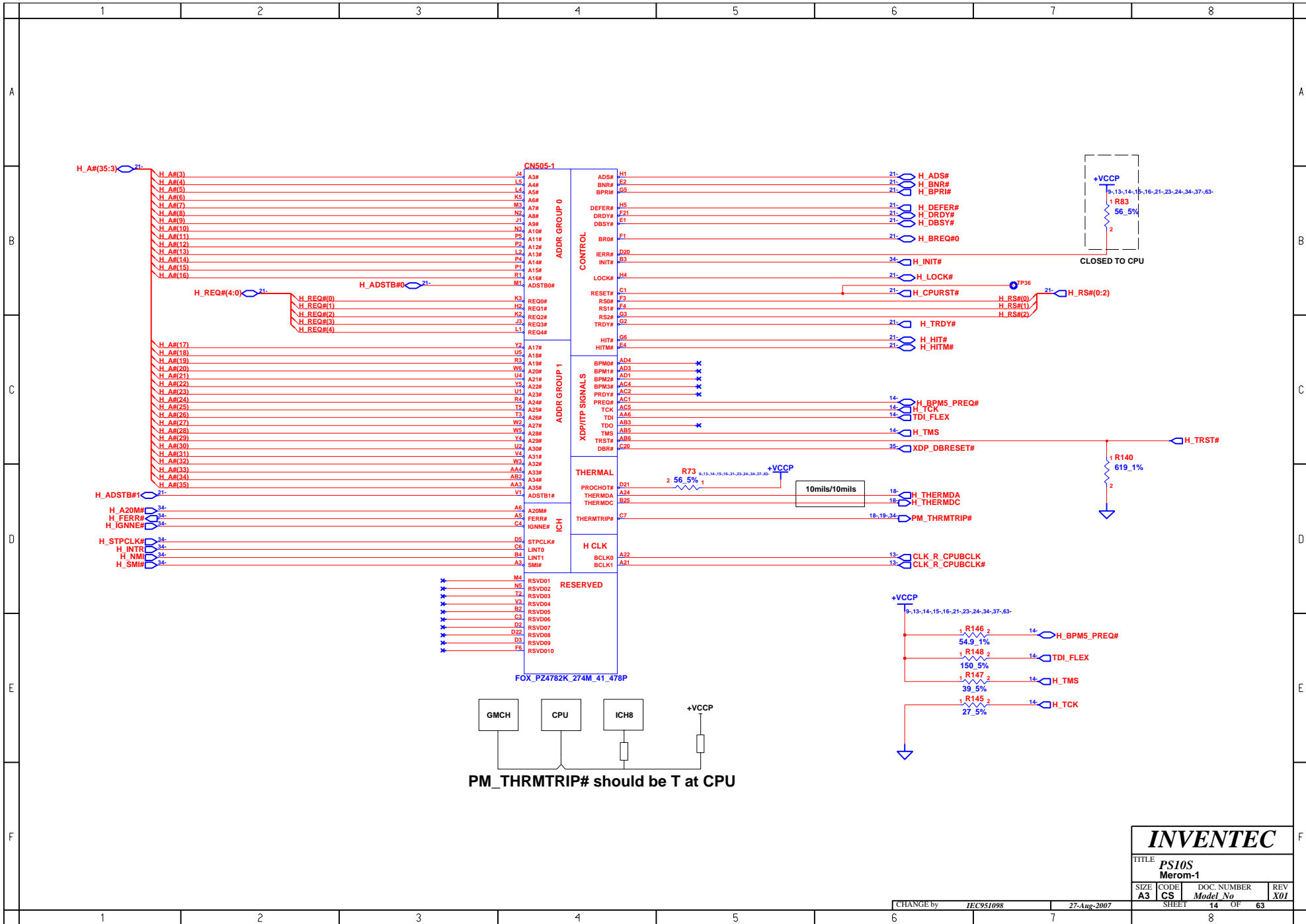
TITLE			
PS10S			
POWER(SLEEP)			
SIZE	CODE	DOC. NUMBER	REV
A3	CS	Model No	X01

CHANGE by IEC951098

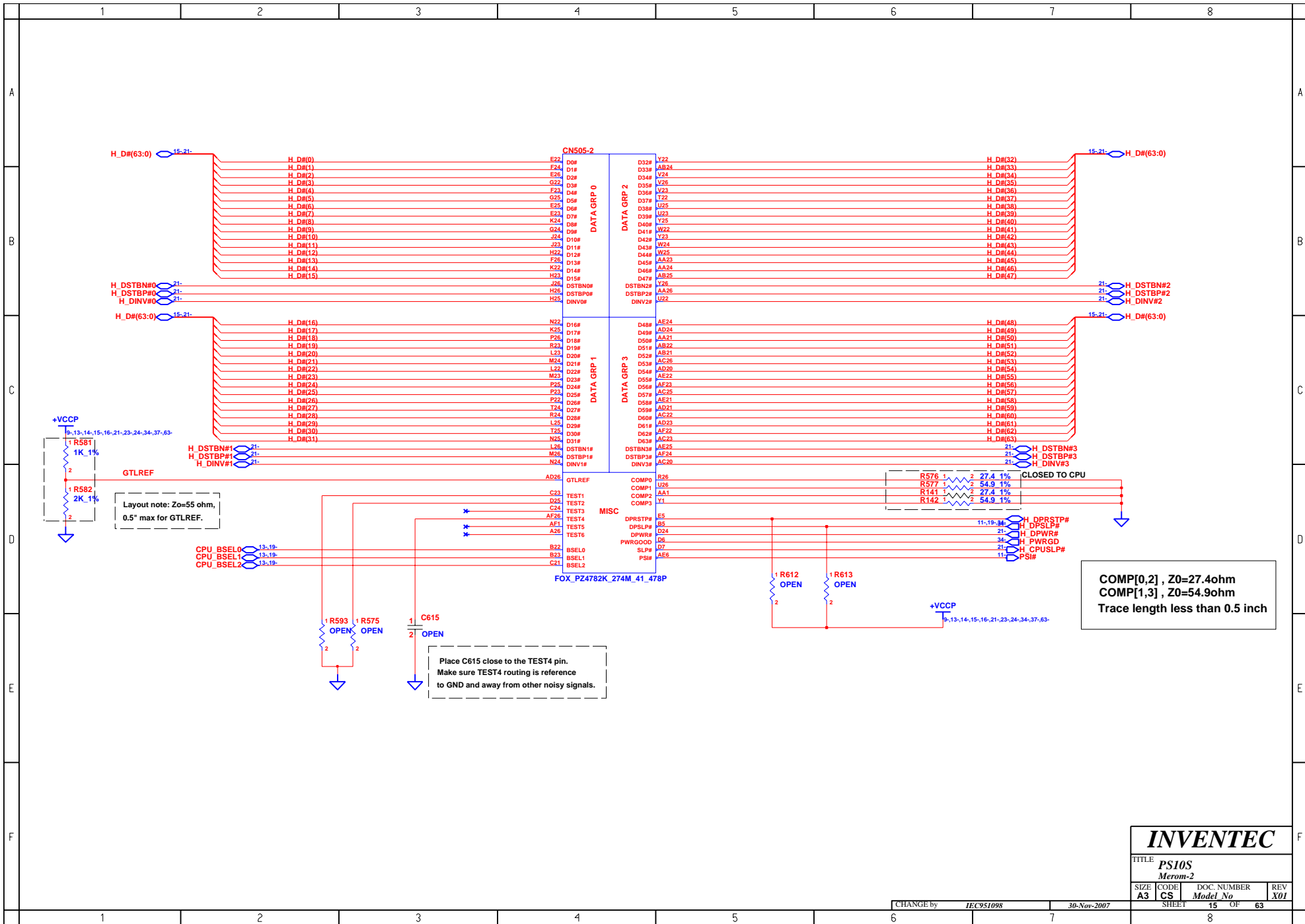
31-Jul-2007

SHEET 12 OF 63





PM\_THRMTRIP# should be T at CPU

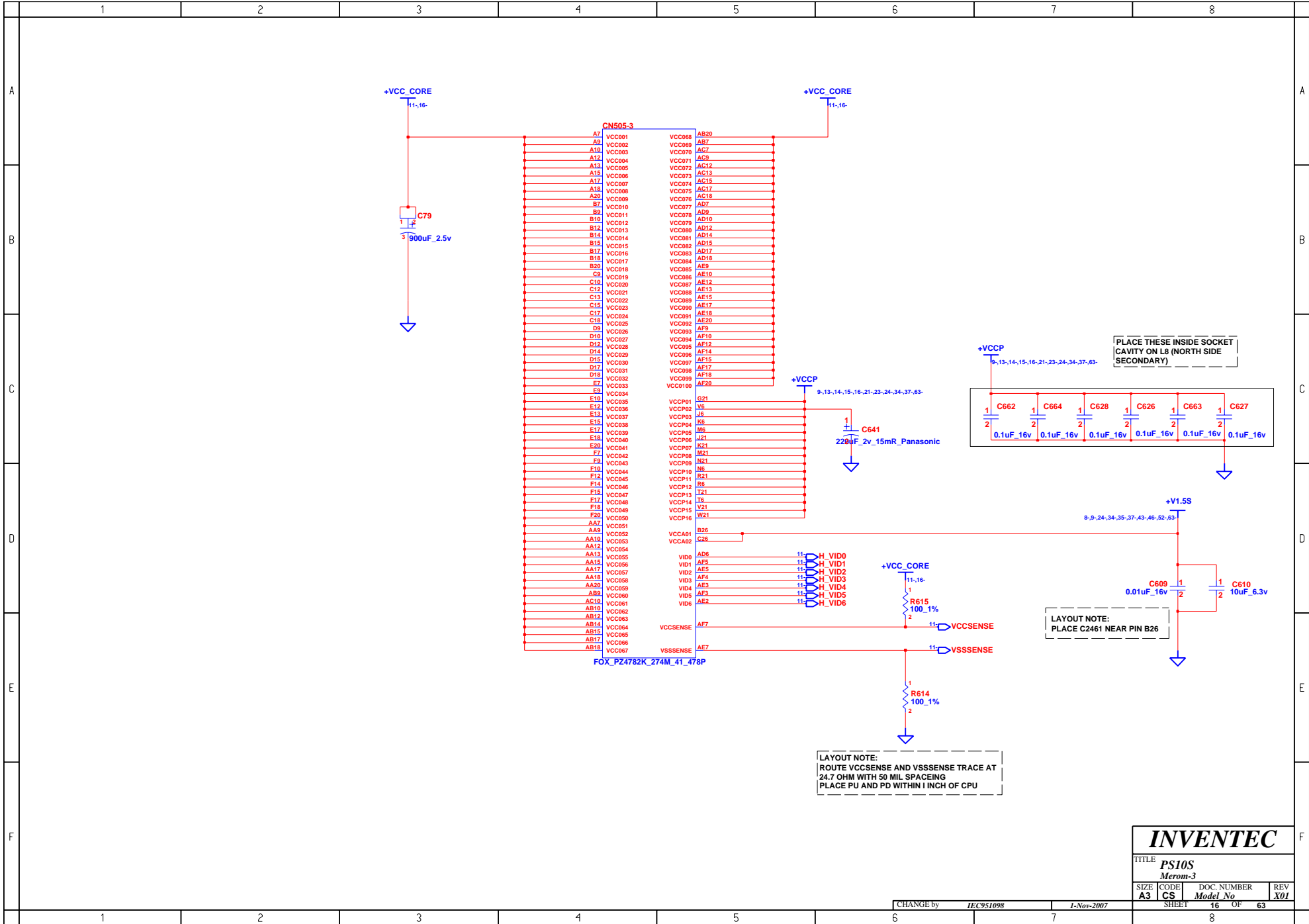


COMP[0,2], Z0=27.4ohm  
 COMP[1,3], Z0=54.9ohm  
 Trace length less than 0.5 inch

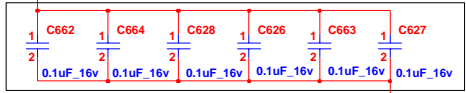
Place C615 close to the TEST4 pin.  
 Make sure TEST4 routing is reference  
 to GND and away from other noisy signals.

Layout note: Zo=55 ohm,  
 0.5" max for GTLREF.

<b>INVENTEC</b>			
TITLE PS10S Merom-2			
SIZE A3	CODE CS	DOC. NUMBER Model No	REV X01
CHANGE by IEC951098		30-Nov-2007	
SHEET 15		OF 63	



PLACE THESE INSIDE SOCKET  
CAVITY ON L8 (NORTH SIDE  
SECONDARY)



LAYOUT NOTE:  
PLACE C2461 NEAR PIN B26

LAYOUT NOTE:  
ROUTE VCCSENSE AND VSSSENSE TRACE AT  
24.7 OHM WITH 50 MIL SPACING  
PLACE PU AND PD WITHIN 1 INCH OF CPU

# INVENTEC

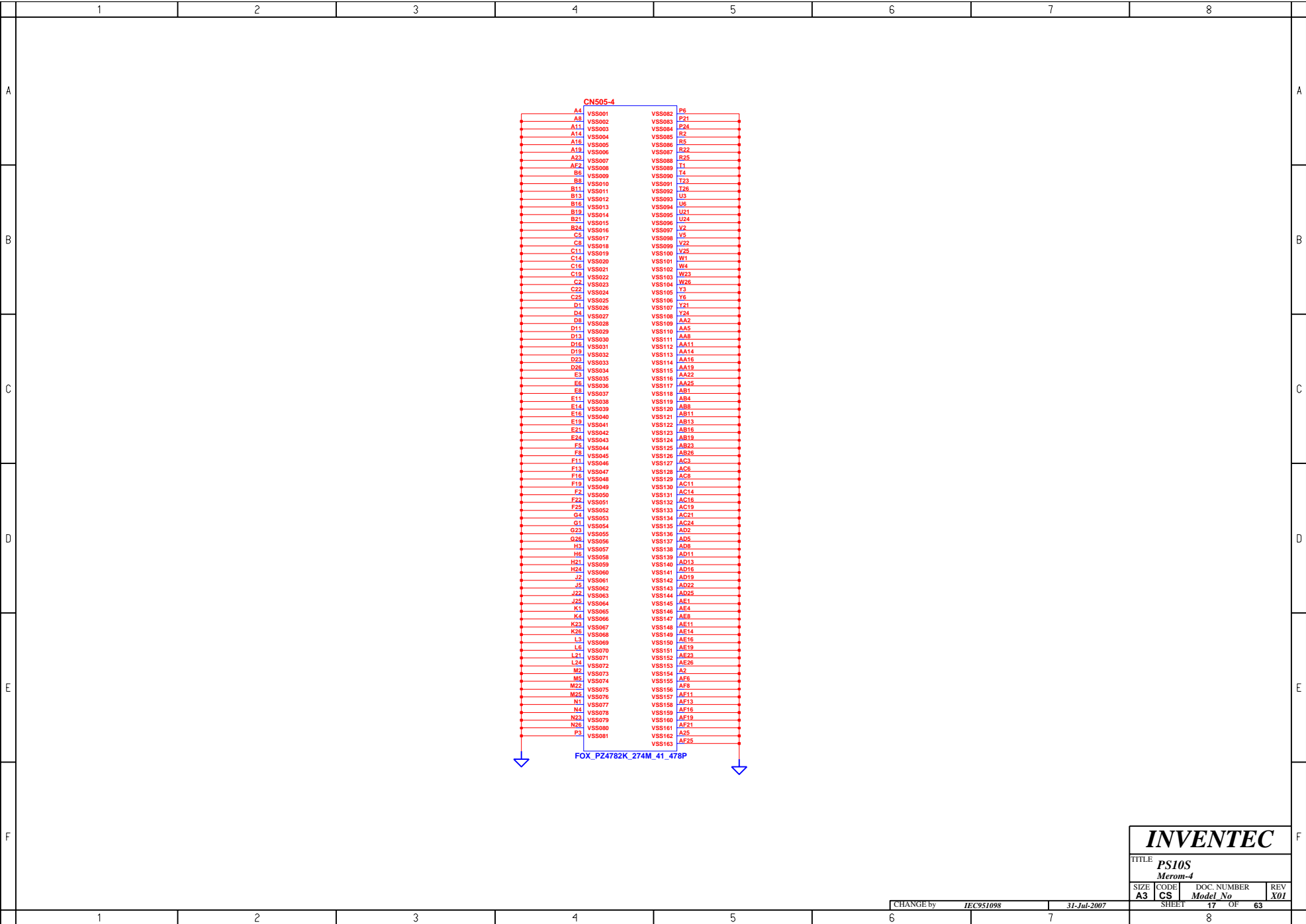
TITLE			
PS10S			
Merom-3			
SIZE	CODE	DOC. NUMBER	REV
A3	CS	Model No	X01

CHANGE by IEC951098

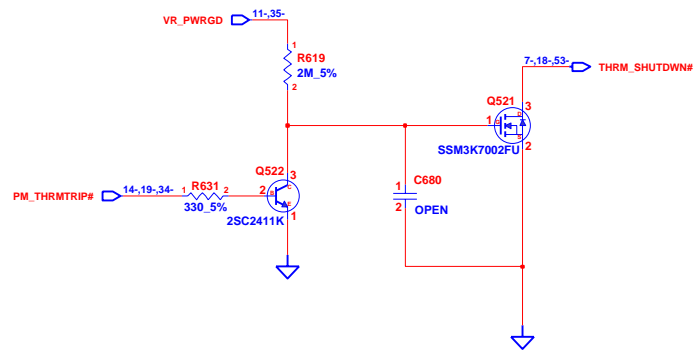
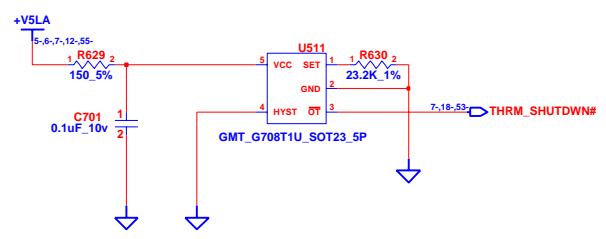
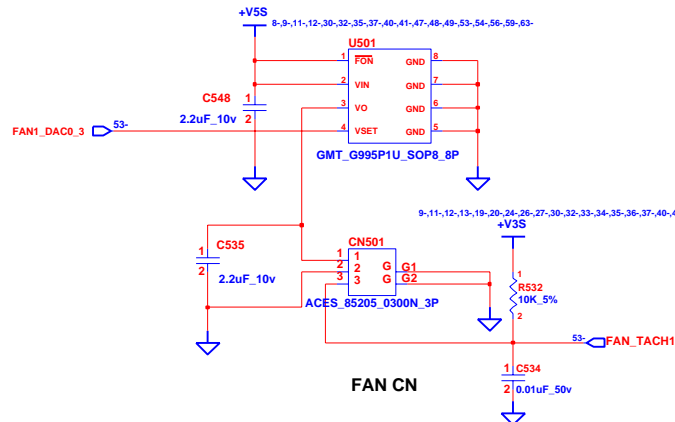
1-Nov-2007

SHEET 16 OF 63

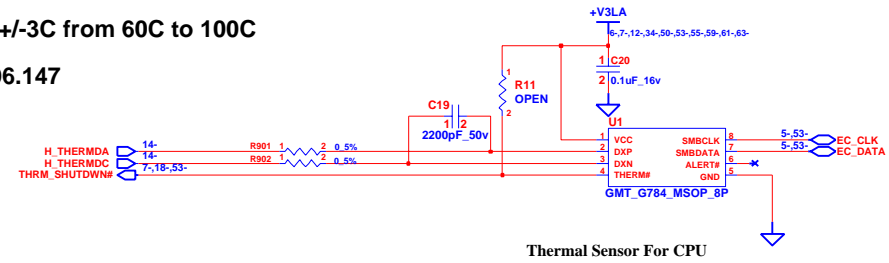




<b>INVENTEC</b>			
TITLE <i>PS10S</i>			
<i>Merom-4</i>			
SIZE	CODE	DOC. NUMBER	REV
<b>A3</b>	<b>CS</b>	<i>Model No</i>	<b>X01</b>
CHANGE by		SHEET	OF
<i>IEC951098</i>		17	63
31-Jul-2007		8	

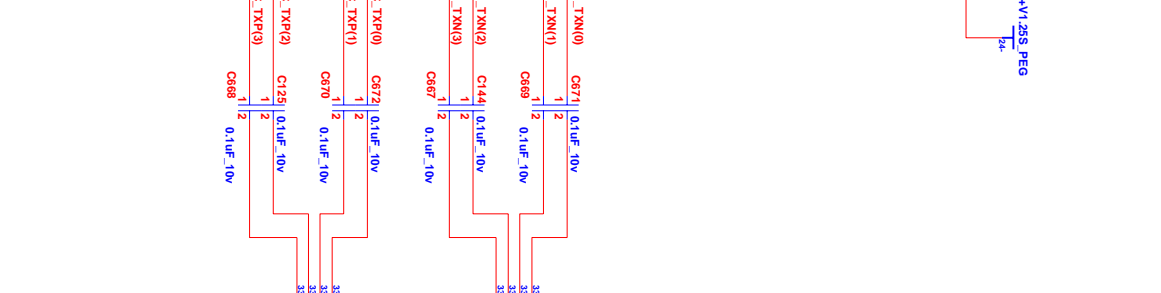
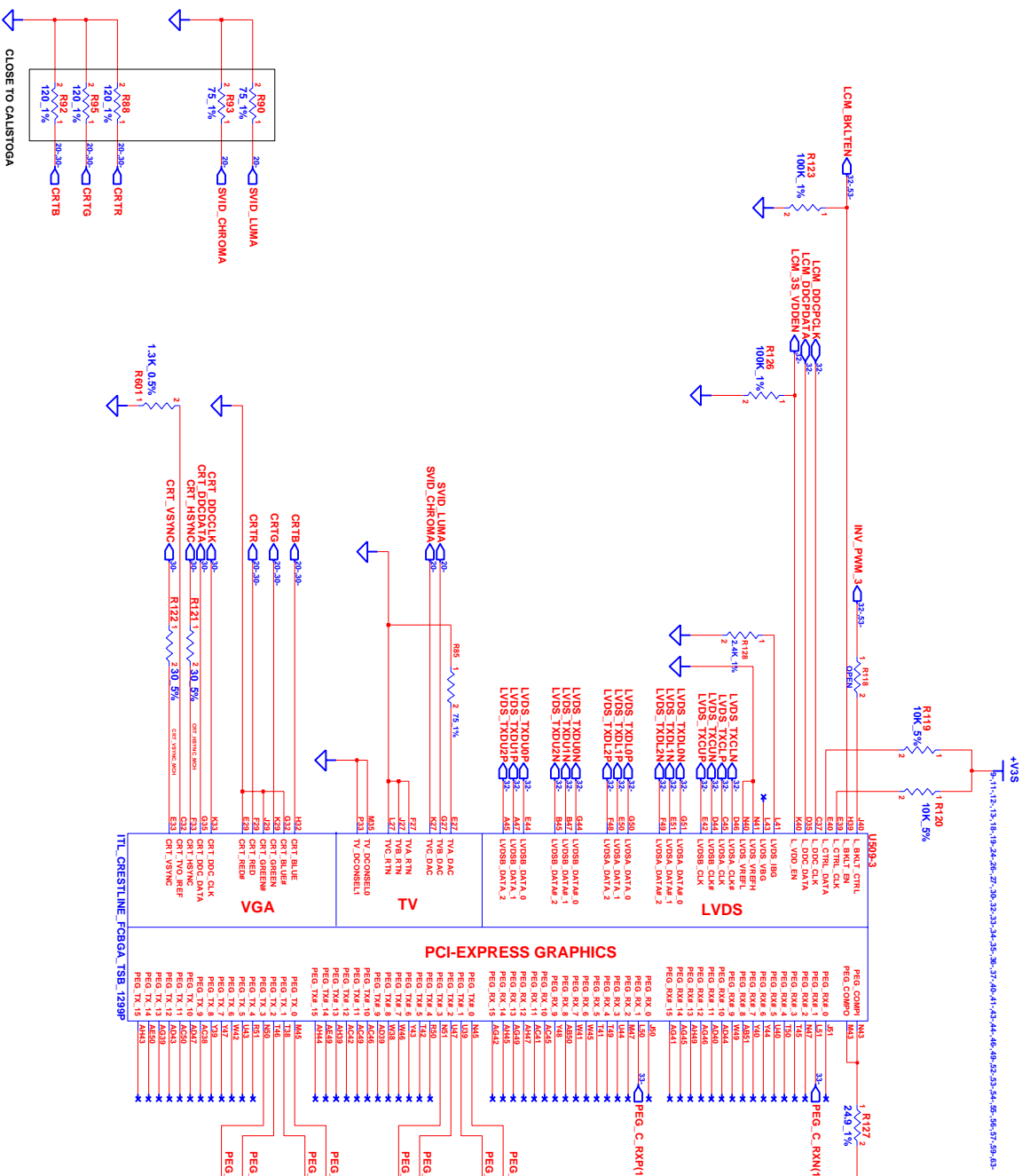


Thermal shoutdown at 89C +/-3C from 60C to 100C  
 $RSET=0.0012*T^2 - 0.9308*T+96.147$   
 Hysteresis is 30C



<b>INVENTEC</b>			
TITLE <b>PS10S THERMAL&amp;FAN CONTROLLER</b>			
SIZE <b>A3</b>	CODE <b>CS</b>	DOC. NUMBER <i>Model No</i>	REV <b>X01</b>
CHANGE by <b>IEC951098</b>		29-Sep-2007	
SHEET <b>18</b>		OF <b>63</b>	





Component	Value	Capacitor Type	Capacitor Value
PEG_C_RXP(0)	C877	0.1uF	10V
PEG_C_RXP(1)	C878	0.1uF	10V
PEG_C_RXP(2)	C144	0.1uF	10V
PEG_C_RXP(3)	C867	0.1uF	10V
PEG_C_RXP(4)	C868	0.1uF	10V
PEG_C_RXP(5)	C869	0.1uF	10V
PEG_C_RXP(6)	C870	0.1uF	10V
PEG_C_RXP(7)	C125	0.1uF	10V
PEG_C_RXP(8)	C868	0.1uF	10V
PEG_C_RXP(9)	C868	0.1uF	10V
PEG_C_RXP(10)	C868	0.1uF	10V

Component	Value	Capacitor Type	Capacitor Value
PEG_TX(0)	C869	0.1uF	10V
PEG_TX(1)	C870	0.1uF	10V
PEG_TX(2)	C871	0.1uF	10V
PEG_TX(3)	C872	0.1uF	10V
PEG_TX(4)	C873	0.1uF	10V
PEG_TX(5)	C874	0.1uF	10V
PEG_TX(6)	C875	0.1uF	10V
PEG_TX(7)	C876	0.1uF	10V
PEG_TX(8)	C877	0.1uF	10V
PEG_TX(9)	C878	0.1uF	10V
PEG_TX(10)	C879	0.1uF	10V

Component	Value	Capacitor Type	Capacitor Value
PEG_TX(11)	C880	0.1uF	10V
PEG_TX(12)	C881	0.1uF	10V
PEG_TX(13)	C882	0.1uF	10V
PEG_TX(14)	C883	0.1uF	10V
PEG_TX(15)	C884	0.1uF	10V

Component	Value	Capacitor Type	Capacitor Value
PEG_TX(16)	C885	0.1uF	10V
PEG_TX(17)	C886	0.1uF	10V
PEG_TX(18)	C887	0.1uF	10V
PEG_TX(19)	C888	0.1uF	10V
PEG_TX(20)	C889	0.1uF	10V

Component	Value	Capacitor Type	Capacitor Value
PEG_TX(21)	C890	0.1uF	10V
PEG_TX(22)	C891	0.1uF	10V
PEG_TX(23)	C892	0.1uF	10V
PEG_TX(24)	C893	0.1uF	10V
PEG_TX(25)	C894	0.1uF	10V

Component	Value	Capacitor Type	Capacitor Value
PEG_TX(26)	C895	0.1uF	10V
PEG_TX(27)	C896	0.1uF	10V
PEG_TX(28)	C897	0.1uF	10V
PEG_TX(29)	C898	0.1uF	10V
PEG_TX(30)	C899	0.1uF	10V

Component	Value	Capacitor Type	Capacitor Value
PEG_TX(31)	C900	0.1uF	10V
PEG_TX(32)	C901	0.1uF	10V
PEG_TX(33)	C902	0.1uF	10V
PEG_TX(34)	C903	0.1uF	10V
PEG_TX(35)	C904	0.1uF	10V

Component	Value	Capacitor Type	Capacitor Value
PEG_TX(36)	C905	0.1uF	10V
PEG_TX(37)	C906	0.1uF	10V
PEG_TX(38)	C907	0.1uF	10V
PEG_TX(39)	C908	0.1uF	10V
PEG_TX(40)	C909	0.1uF	10V

Component	Value	Capacitor Type	Capacitor Value
PEG_TX(41)	C910	0.1uF	10V
PEG_TX(42)	C911	0.1uF	10V
PEG_TX(43)	C912	0.1uF	10V
PEG_TX(44)	C913	0.1uF	10V
PEG_TX(45)	C914	0.1uF	10V

Component	Value	Capacitor Type	Capacitor Value
PEG_TX(46)	C915	0.1uF	10V
PEG_TX(47)	C916	0.1uF	10V
PEG_TX(48)	C917	0.1uF	10V
PEG_TX(49)	C918	0.1uF	10V
PEG_TX(50)	C919	0.1uF	10V

Component	Value	Capacitor Type	Capacitor Value
PEG_TX(51)	C920	0.1uF	10V
PEG_TX(52)	C921	0.1uF	10V
PEG_TX(53)	C922	0.1uF	10V
PEG_TX(54)	C923	0.1uF	10V
PEG_TX(55)	C924	0.1uF	10V

Component	Value	Capacitor Type	Capacitor Value
PEG_TX(56)	C925	0.1uF	10V
PEG_TX(57)	C926	0.1uF	10V
PEG_TX(58)	C927	0.1uF	10V
PEG_TX(59)	C928	0.1uF	10V
PEG_TX(60)	C929	0.1uF	10V

Component	Value	Capacitor Type	Capacitor Value
PEG_TX(61)	C930	0.1uF	10V
PEG_TX(62)	C931	0.1uF	10V
PEG_TX(63)	C932	0.1uF	10V
PEG_TX(64)	C933	0.1uF	10V
PEG_TX(65)	C934	0.1uF	10V

Component	Value	Capacitor Type	Capacitor Value
PEG_TX(66)	C935	0.1uF	10V
PEG_TX(67)	C936	0.1uF	10V
PEG_TX(68)	C937	0.1uF	10V
PEG_TX(69)	C938	0.1uF	10V
PEG_TX(70)	C939	0.1uF	10V

Component	Value	Capacitor Type	Capacitor Value
PEG_TX(71)	C940	0.1uF	10V
PEG_TX(72)	C941	0.1uF	10V
PEG_TX(73)	C942	0.1uF	10V
PEG_TX(74)	C943	0.1uF	10V
PEG_TX(75)	C944	0.1uF	10V

Component	Value	Capacitor Type	Capacitor Value
PEG_TX(76)	C945	0.1uF	10V
PEG_TX(77)	C946	0.1uF	10V
PEG_TX(78)	C947	0.1uF	10V
PEG_TX(79)	C948	0.1uF	10V
PEG_TX(80)	C949	0.1uF	10V

Component	Value	Capacitor Type	Capacitor Value
PEG_TX(81)	C950	0.1uF	10V
PEG_TX(82)	C951	0.1uF	10V
PEG_TX(83)	C952	0.1uF	10V
PEG_TX(84)	C953	0.1uF	10V
PEG_TX(85)	C954	0.1uF	10V

Component	Value	Capacitor Type	Capacitor Value
PEG_TX(86)	C955	0.1uF	10V
PEG_TX(87)	C956	0.1uF	10V
PEG_TX(88)	C957	0.1uF	10V
PEG_TX(89)	C958	0.1uF	10V
PEG_TX(90)	C959	0.1uF	10V

Component	Value	Capacitor Type	Capacitor Value
PEG_TX(91)	C960	0.1uF	10V
PEG_TX(92)	C961	0.1uF	10V
PEG_TX(93)	C962	0.1uF	10V
PEG_TX(94)	C963	0.1uF	10V
PEG_TX(95)	C964	0.1uF	10V

Component	Value	Capacitor Type	Capacitor Value
PEG_TX(96)	C965	0.1uF	10V
PEG_TX(97)	C966	0.1uF	10V
PEG_TX(98)	C967	0.1uF	10V
PEG_TX(99)	C968	0.1uF	10V
PEG_TX(100)	C969	0.1uF	10V

Component	Value	Capacitor Type	Capacitor Value
PEG_TX(101)	C970	0.1uF	10V
PEG_TX(102)	C971	0.1uF	10V
PEG_TX(103)	C972	0.1uF	10V
PEG_TX(104)	C973	0.1uF	10V
PEG_TX(105)	C974	0.1uF	10V

Component	Value	Capacitor Type	Capacitor Value
PEG_TX(106)	C975	0.1uF	10V
PEG_TX(107)	C976	0.1uF	10V
PEG_TX(108)	C977	0.1uF	10V
PEG_TX(109)	C978	0.1uF	10V
PEG_TX(110)	C979	0.1uF	10V

Component	Value	Capacitor Type	Capacitor Value
PEG_TX(111)	C980	0.1uF	10V
PEG_TX(112)	C981	0.1uF	10V
PEG_TX(113)	C982	0.1uF	10V
PEG_TX(114)	C983	0.1uF	10V
PEG_TX(115)	C984	0.1uF	10V

Component	Value	Capacitor Type	Capacitor Value
PEG_TX(116)	C985	0.1uF	10V
PEG_TX(117)	C986	0.1uF	10V
PEG_TX(118)	C987	0.1uF	10V
PEG_TX(119)	C988	0.1uF	10V
PEG_TX(120)	C989	0.1uF	10V

Component	Value	Capacitor Type	Capacitor Value
PEG_TX(121)	C990	0.1uF	10V
PEG_TX(122)	C991	0.1uF	10V
PEG_TX(123)	C992	0.1uF	10V
PEG_TX(124)	C993	0.1uF	10V
PEG_TX(125)	C994	0.1uF	10V

Component	Value	Capacitor Type	Capacitor Value
PEG_TX(126)	C995	0.1uF	10V
PEG_TX(127)	C996	0.1uF	10V
PEG_TX(128)	C997	0.1uF	10V
PEG_TX(129)	C998	0.1uF	10V
PEG_TX(130)	C999	0.1uF	10V

Component	Value	Capacitor Type	Capacitor Value
PEG_TX(131)	C1000	0.1uF	10V
PEG_TX(132)	C1001	0.1uF	10V
PEG_TX(133)	C1002	0.1uF	10V
PEG_TX(134)	C1003	0.1uF	10V
PEG_TX(135)	C1004	0.1uF	10V

Component	Value	Capacitor Type	Capacitor Value
PEG_TX(136)	C1005	0.1uF	10V
PEG_TX(137)	C1006	0.1uF	10V
PEG_TX(138)	C1007	0.1uF	10V
PEG_TX(139)	C1008	0.1uF	10V
PEG_TX(140)	C1009	0.1uF	10V

Component	Value	Capacitor Type	Capacitor Value
PEG_TX(141)	C1010	0.1uF	10V
PEG_TX(142)	C1011	0.1uF	10V
PEG_TX(143)	C1012	0.1uF	10V
PEG_TX(144)	C1013	0.1uF	10V
PEG_TX(145)	C1014	0.1uF	10V

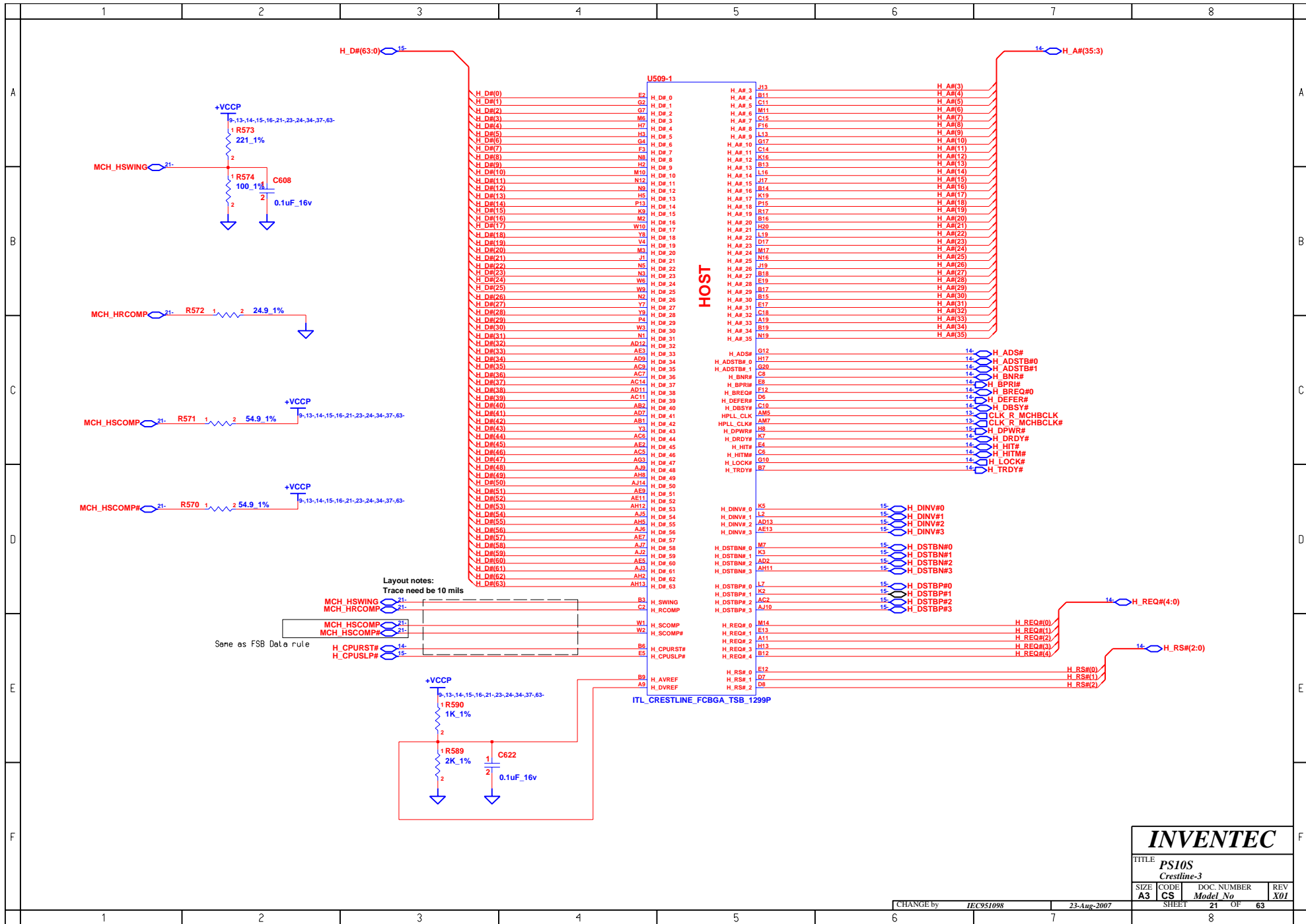
Component	Value	Capacitor Type	Capacitor Value
PEG_TX(146)	C1015	0.1uF	10V
PEG_TX(147)	C1016	0.1uF	10V
PEG_TX(148)	C1017	0.1uF	10V
PEG_TX(149)	C1018	0.1uF	10V
PEG_TX(150)	C1019	0.1uF	10V

Component	Value	Capacitor Type	Capacitor Value
PEG_TX(151)	C1020	0.1uF	10V
PEG_TX(152)	C1021	0.1uF	10V
PEG_TX(153)	C1022	0.1uF	10V
PEG_TX(154)	C1023	0.1uF	10V
PEG_TX(155)	C1024	0.1uF	10V

Component	Value	Capacitor Type	Capacitor Value
PEG_TX(156)	C1025	0.1uF	10V
PEG_TX(157)	C1026	0.1uF	10V
PEG_TX(158)	C1027	0.1uF	10V
PEG_TX(159)	C1028	0.1uF	10V
PEG_TX(160)	C1029	0.1uF	10V

Component	Value	Capacitor Type	Capacitor Value
PEG_TX(161)	C1030	0.1uF	10V
PEG_TX(162)	C1031	0.1uF	10V
PEG_TX(163)	C1032	0.1uF	10V
PEG_TX(164)	C1033	0.1uF	10V
PEG_TX(165)	C1034	0.1uF	10V

Component	Value	Capacitor Type	Capacitor Value
PEG_TX(166)	C1035	0.1uF	10V
PEG_TX(167)	C1036	0.1uF	10V
PEG_TX(168)	C1037	0.1uF	10V
PEG_TX(169)	C1038	0.1uF	10V



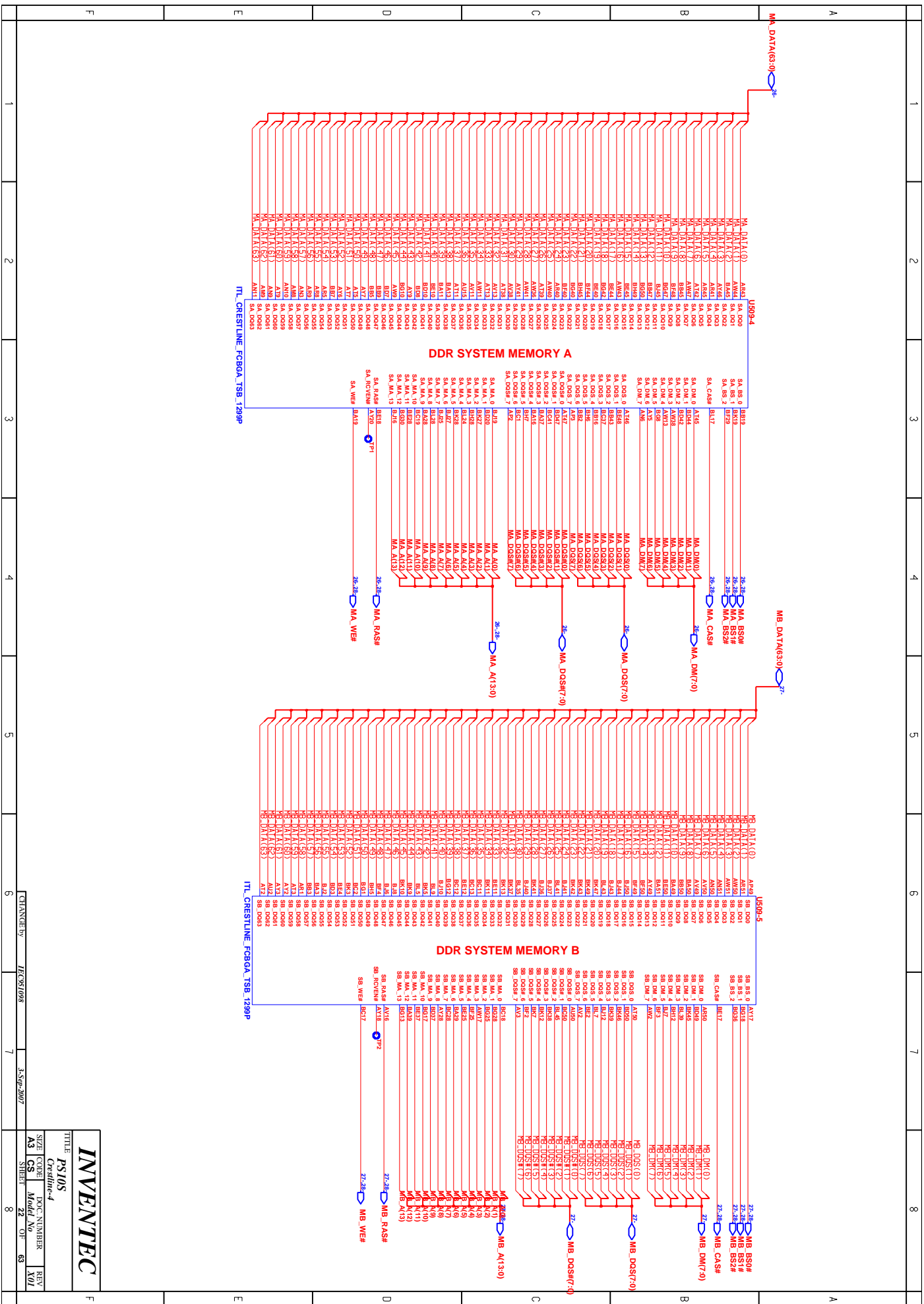
# INVENTEC

TITLE			
PS10S			
Crestline-3			
SIZE	CODE	DOC. NUMBER	REV
A3	CS	Model No	X01

CHANGE by IEC951098

23-Aug-2007

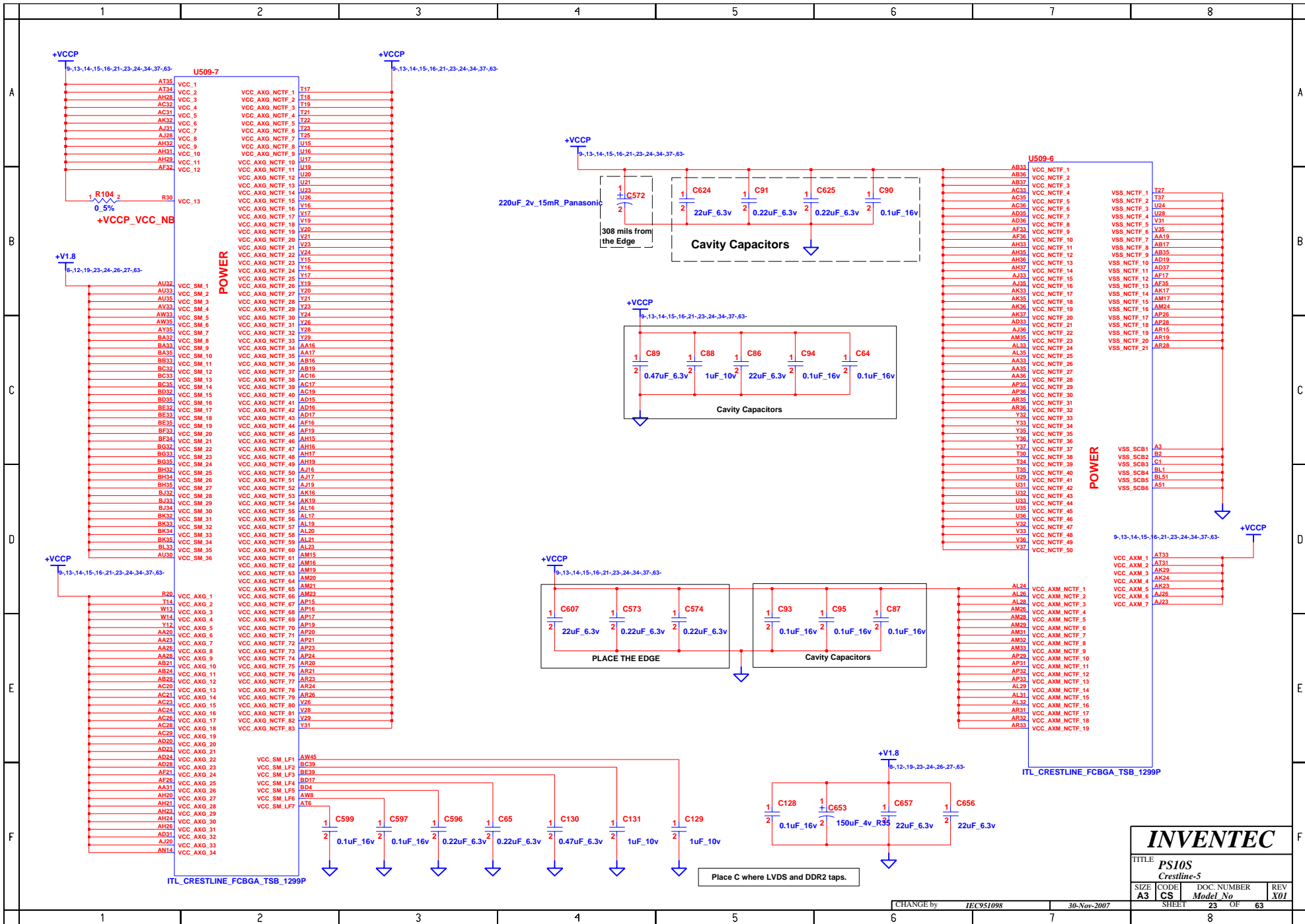
SHEET 21 OF 63



CHANGED BY: ITC-1008

3-SEP-2007

<b>INVENTTEC</b>			
TITLE: <i>PS10S</i>			
Crestline-4			
SIZE	CODE	DOC:NUMBER	REV
A3	CS	Model No	X01
SHEET	22	OF	63



**INVENTEC**

TITLE: PS10S Crestline-5

SIZE	CODE	DOC. NUMBER	REV
A3	CS	Model No	X01

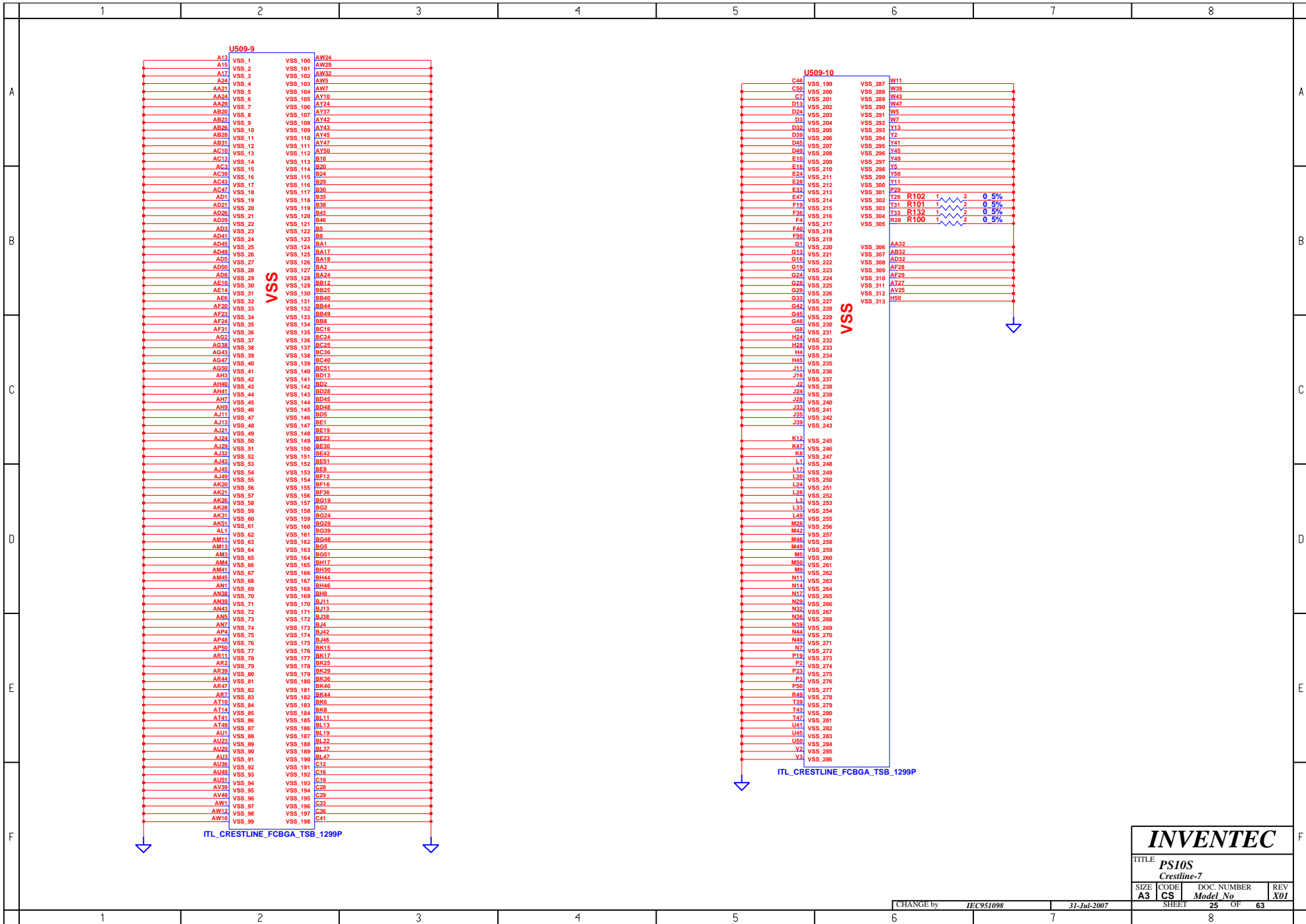
SHEET 23 OF 63

CHANGE by IEC951098 30-Nov-2007

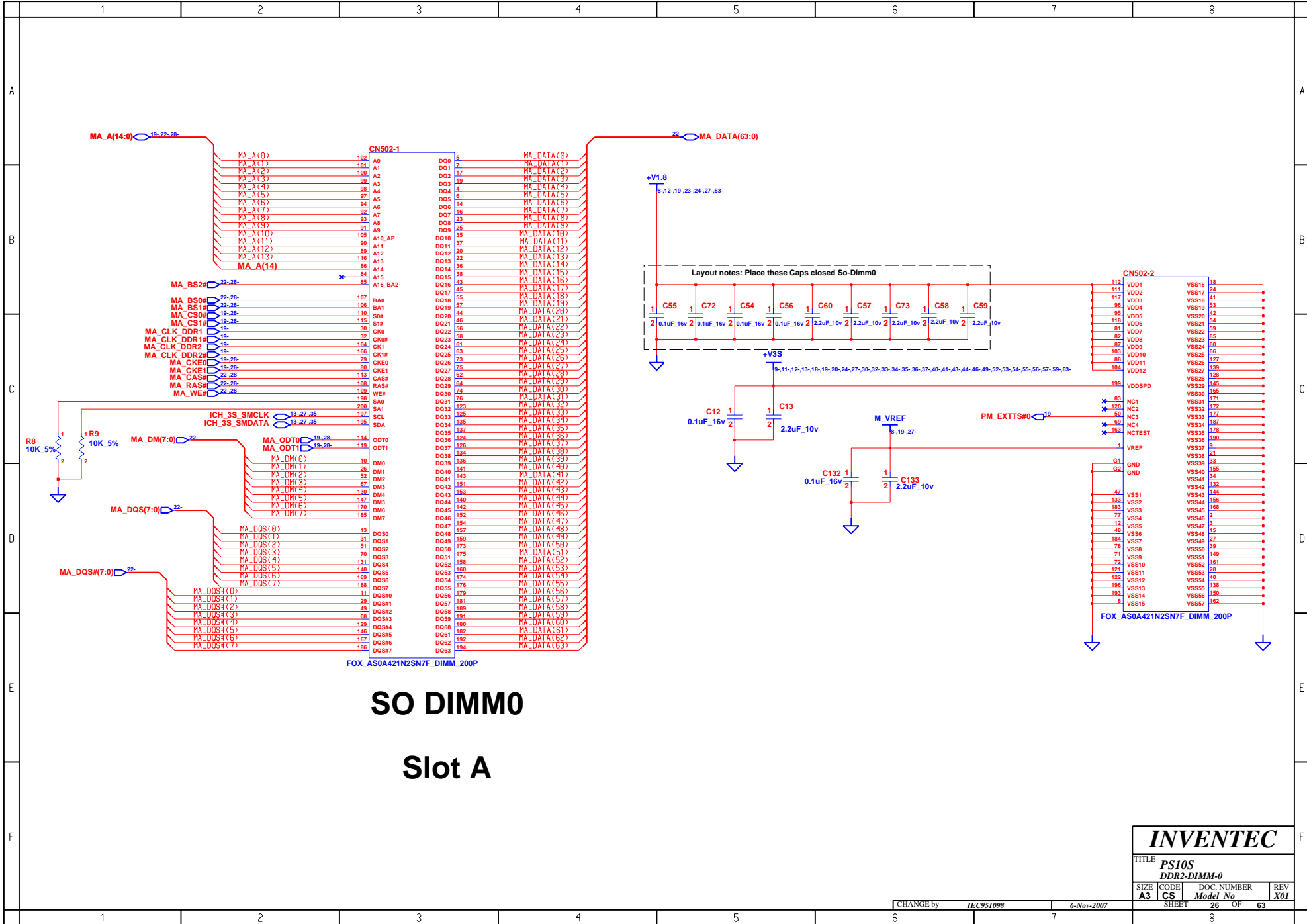
Place C where LVDS and DDR2 taps.



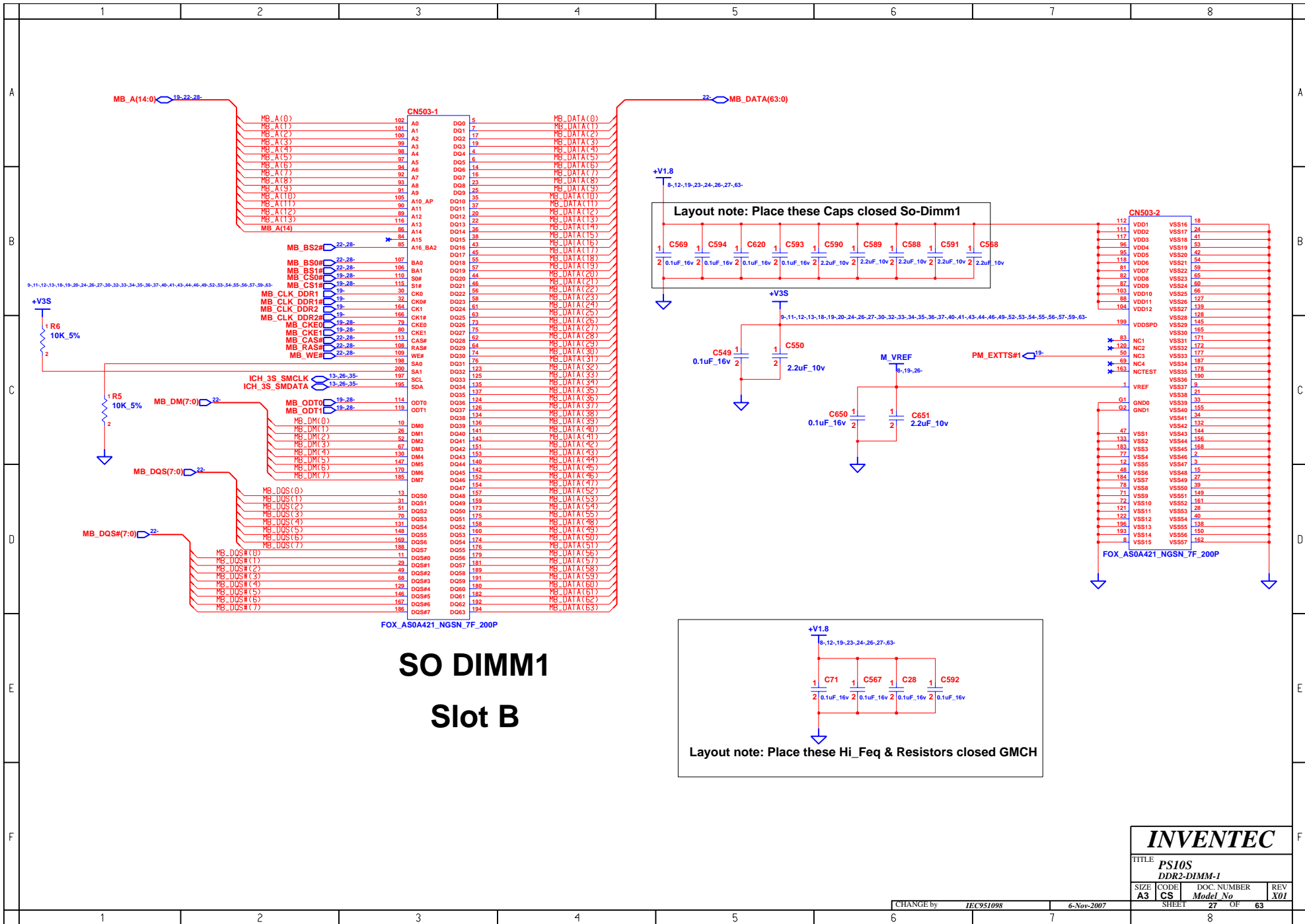




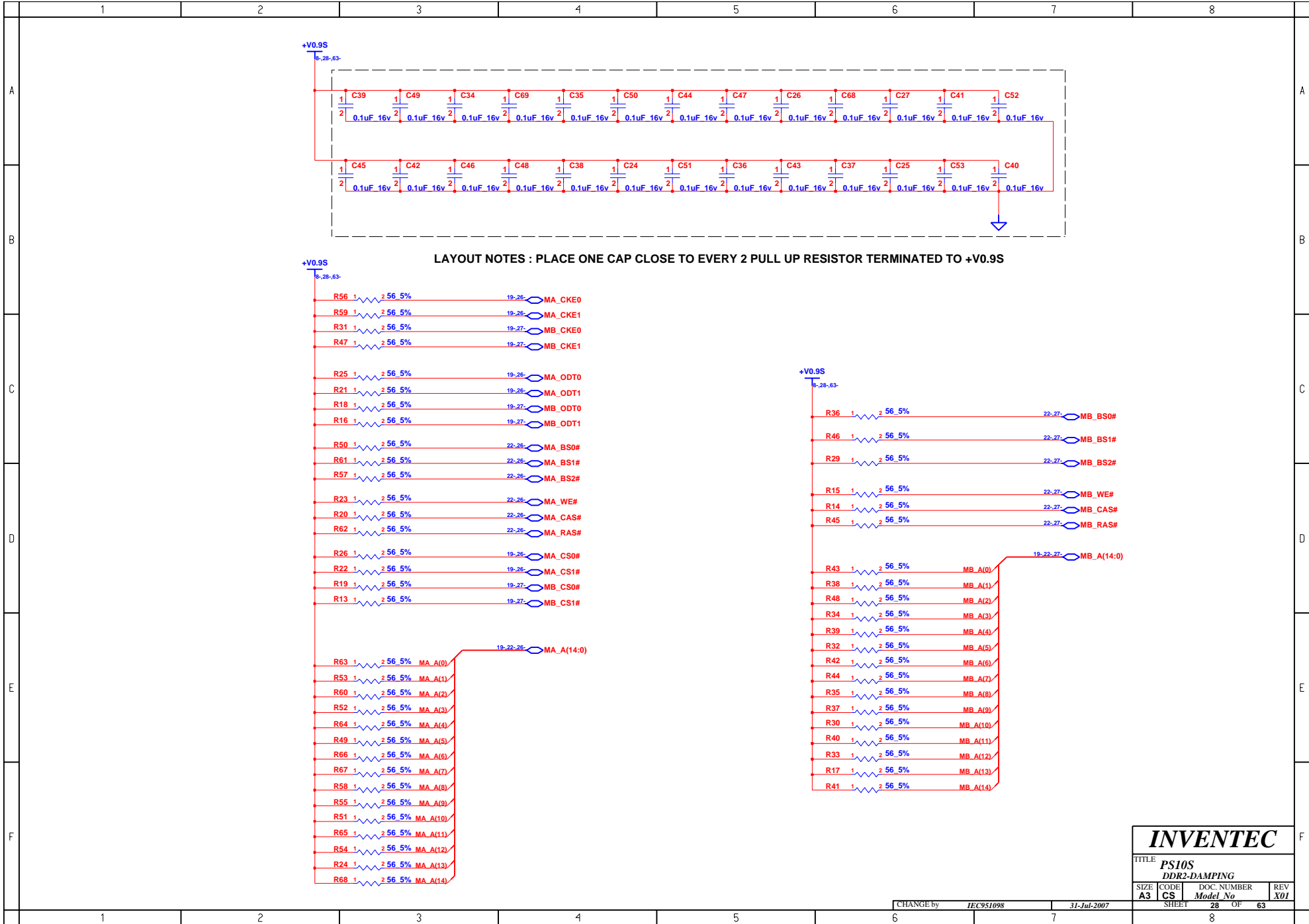
<b>INVENTEC</b>				
TITLE PS10S Crestline-7				
SIZE A3	CODE CS	DOC. NUMBER Model No	REV X01	
CHANGE by IEC951098		31-Jul-2007		
SHEET 25 OF 63				



<b>INVENTEC</b>			
TITLE <b>PS10S DDR2-DIMM-0</b>			
SIZE <b>A3</b>	CODE <b>CS</b>	DOC. NUMBER <i>Model No</i>	REV <b>X01</b>
CHANGE by <i>IEC951098</i>		6-Nov-2007	
SHEET <b>26</b>		OF <b>63</b>	
1		8	



<b>INVENTEC</b>			
TITLE <b>PS10S</b>			
DDR2-DIMM-1			
SIZE	CODE	DOC. NUMBER	REV
A3	CS	Model No	X01
CHANGE by		SHEET	OF
IEC951098		27	63



<b>INVENTEC</b>			
TITLE <i>PS10S</i>			
<i>DDR2-DAMPING</i>			
SIZE	CODE	DOC. NUMBER	REV
A3	CS	Model No	X01
CHANGE by		SHEET	OF
IEC951098		28	63
31-Jul-2007		8	

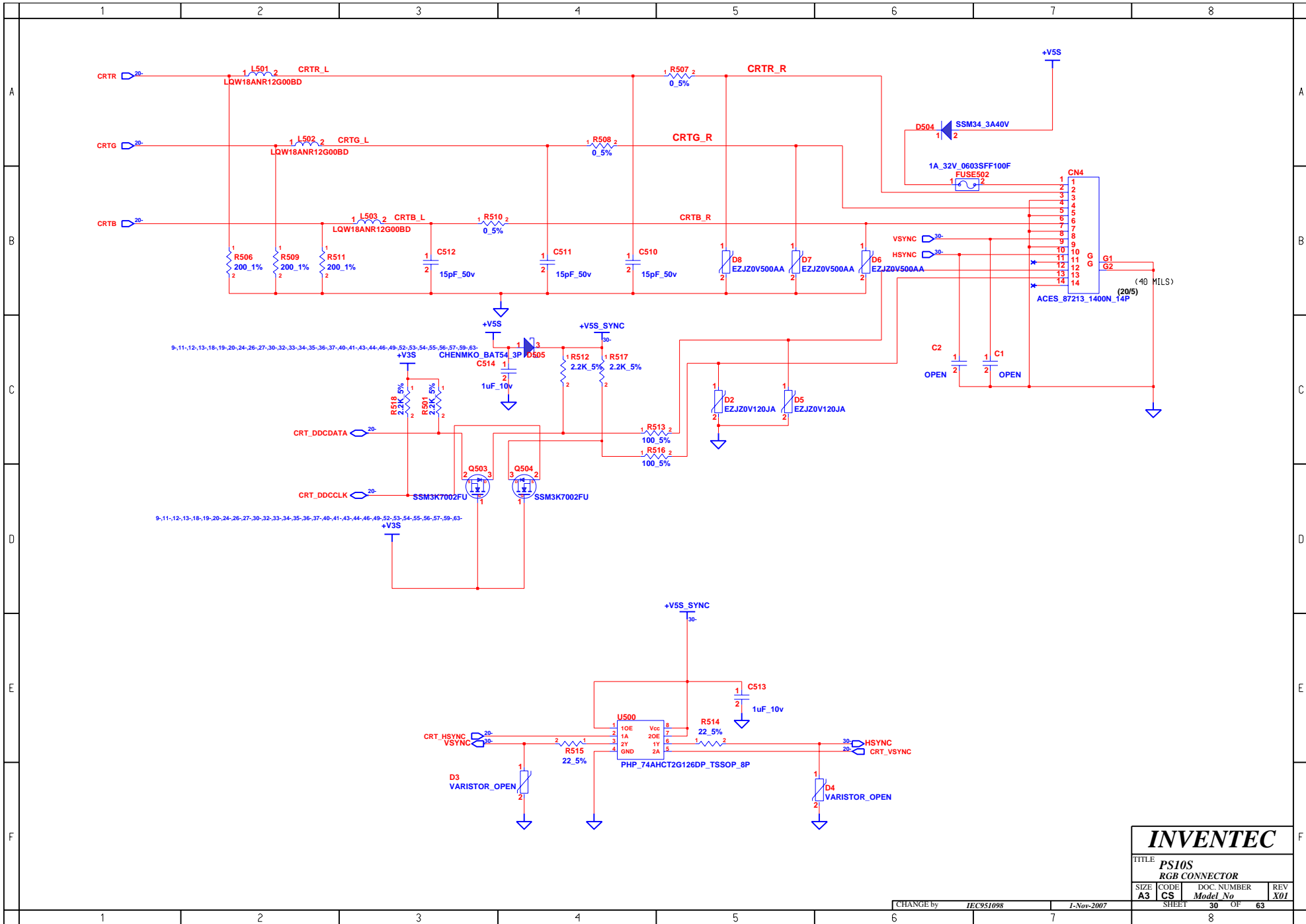
# BLANK

**INVENTEC**

TITLE			
<b>PS10S</b>			
MXM CONN			
SIZE	CODE	DOC. NUMBER	REV
<b>A3</b>	<b>CS</b>	<i>Model No</i>	<b>X01</b>
SHEET		29	OF 63

CHANGE by *IEC951098* 30-Nov-2007

	1	2	3	4	5	6	7	8	
A									A
B									B
C									C
D									D
E									E
F									F
	1	2	3	4	5	6	7	8	

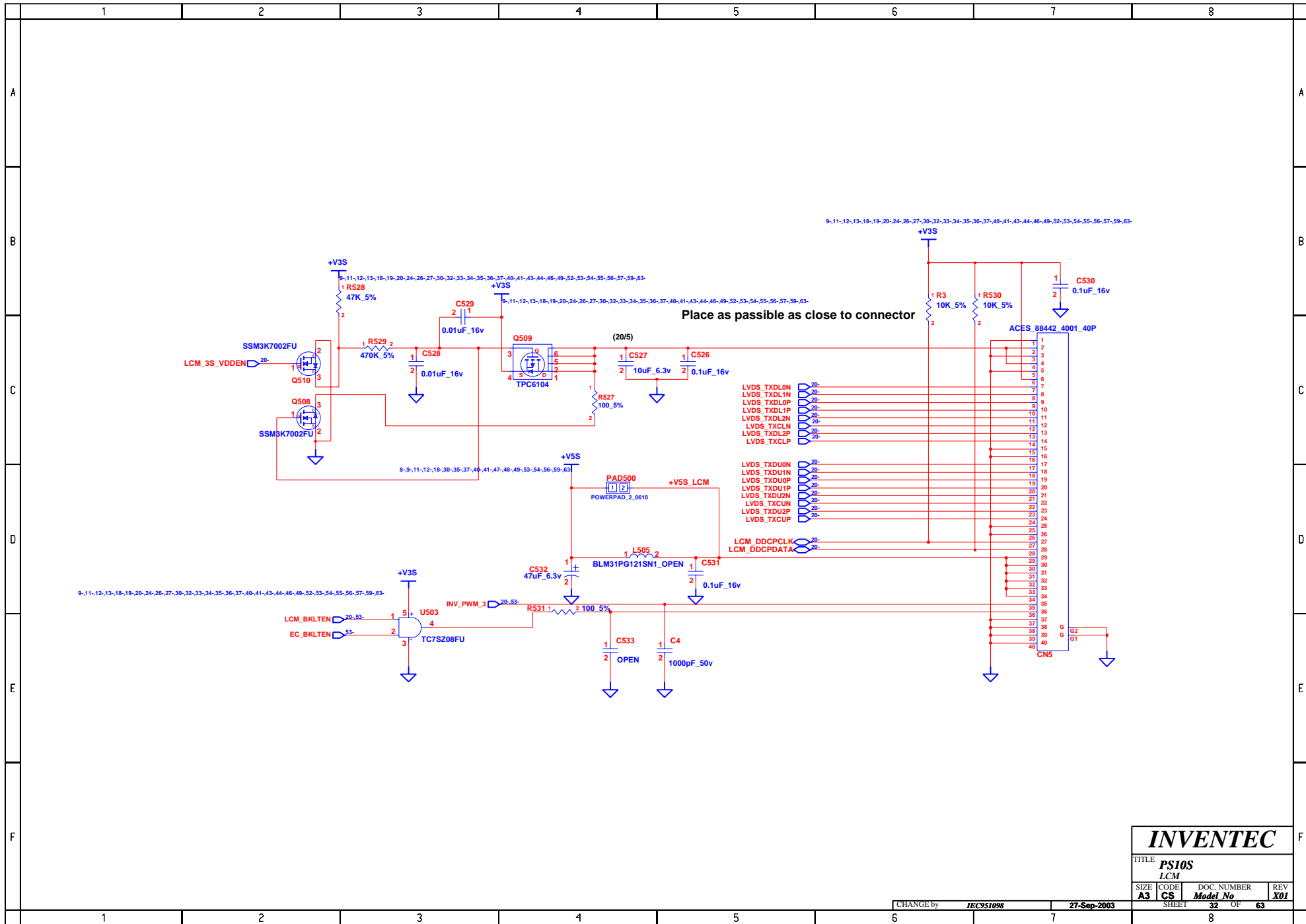


<b>INVENTEC</b>			
TITLE <b>PS10S RGB CONNECTOR</b>			
SIZE <b>A3</b>	CODE <b>CS</b>	DOC. NUMBER Model No	REV <b>X01</b>
CHANGE by <b>IEC951098</b>		J-Nov-2007	
SHEET		30 OF 63	

**BLANK**

<b>INVENTEC</b>			
TITLE <i>PS10S</i>			
S-Video CONN			
SIZE	CODE	DOC. NUMBER	REV
<b>A3</b>	<b>CS</b>	<i>Model No</i>	<b>X01</b>
CHANGE by <i>IEC951098</i>		30-Nov-2007	
SHEET		31	OF 63

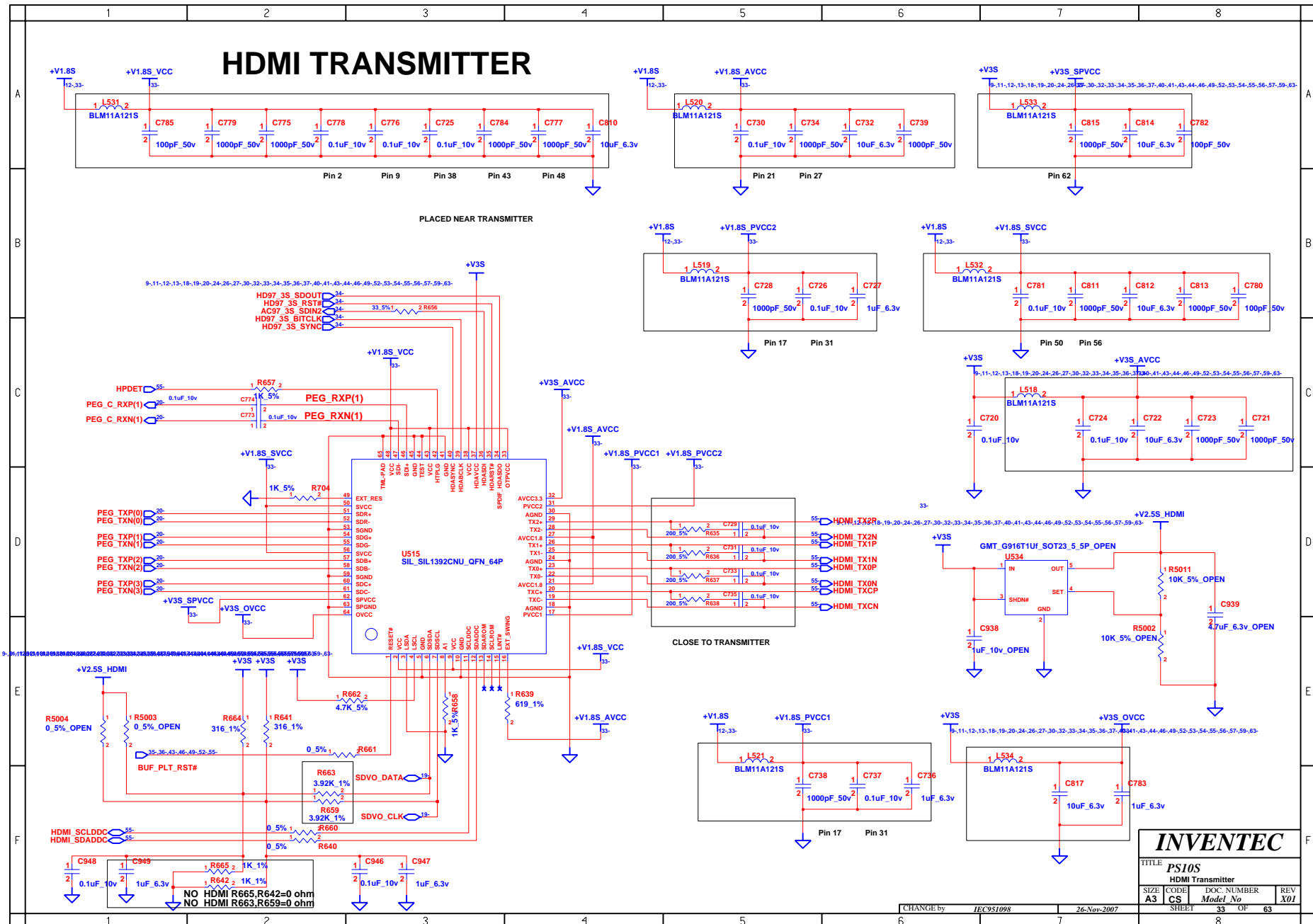
	1	2	3	4	5	6	7	8	
A									A
B									B
C									C
D									D
E									E
F									F
	1	2	3	4	5	6	7	8	



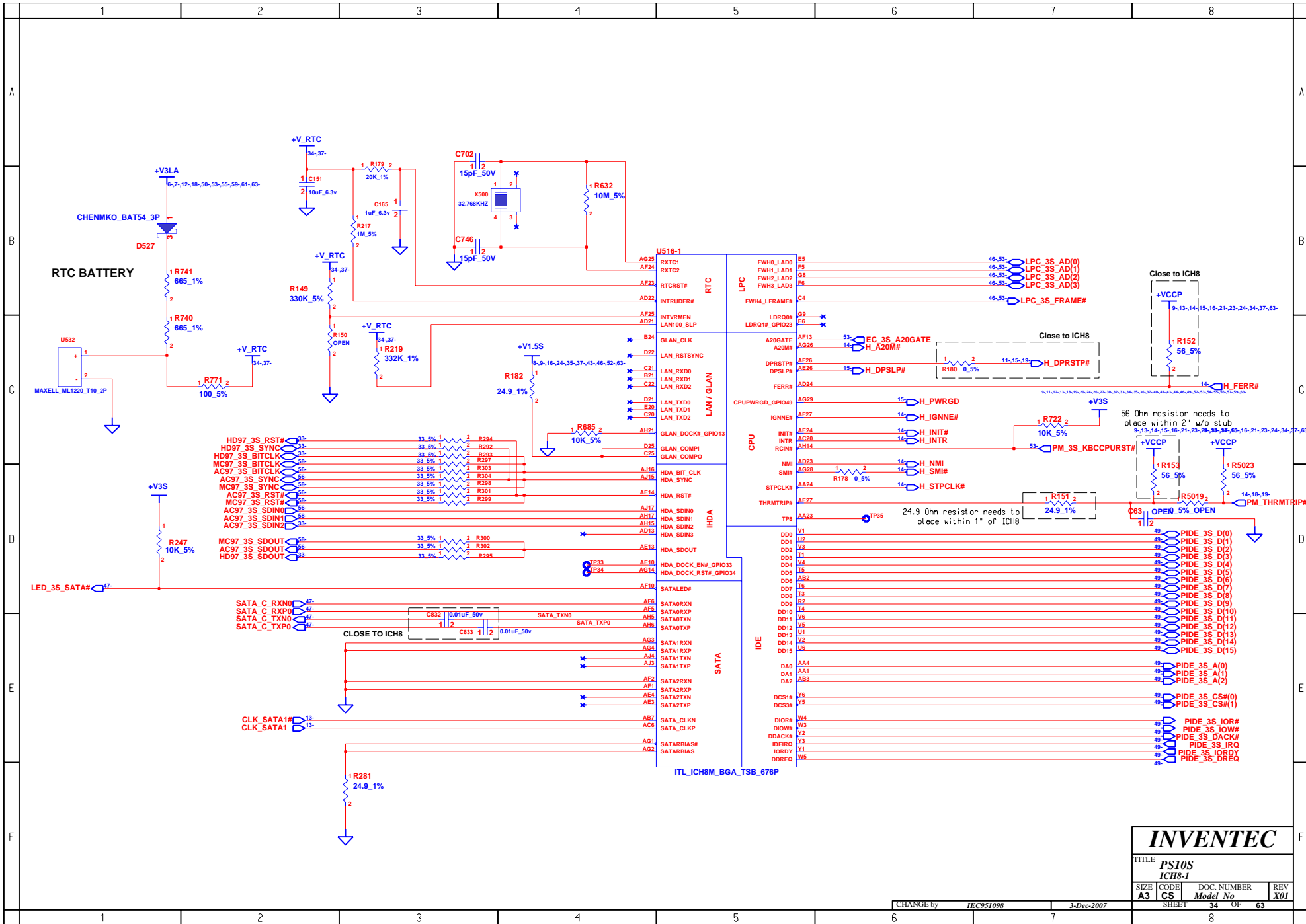
<b>INVENTEC</b>			
TITLE <b>PS10S</b>			
LCM			
SIZE <b>A3</b>	CODE <b>CS</b>	DOC. NUMBER <b>Model No</b>	REV <b>X01</b>
CHANGE by <b>JEC951098</b>		27-Sep-2003	
SHEET <b>32</b> OF <b>63</b>		8	



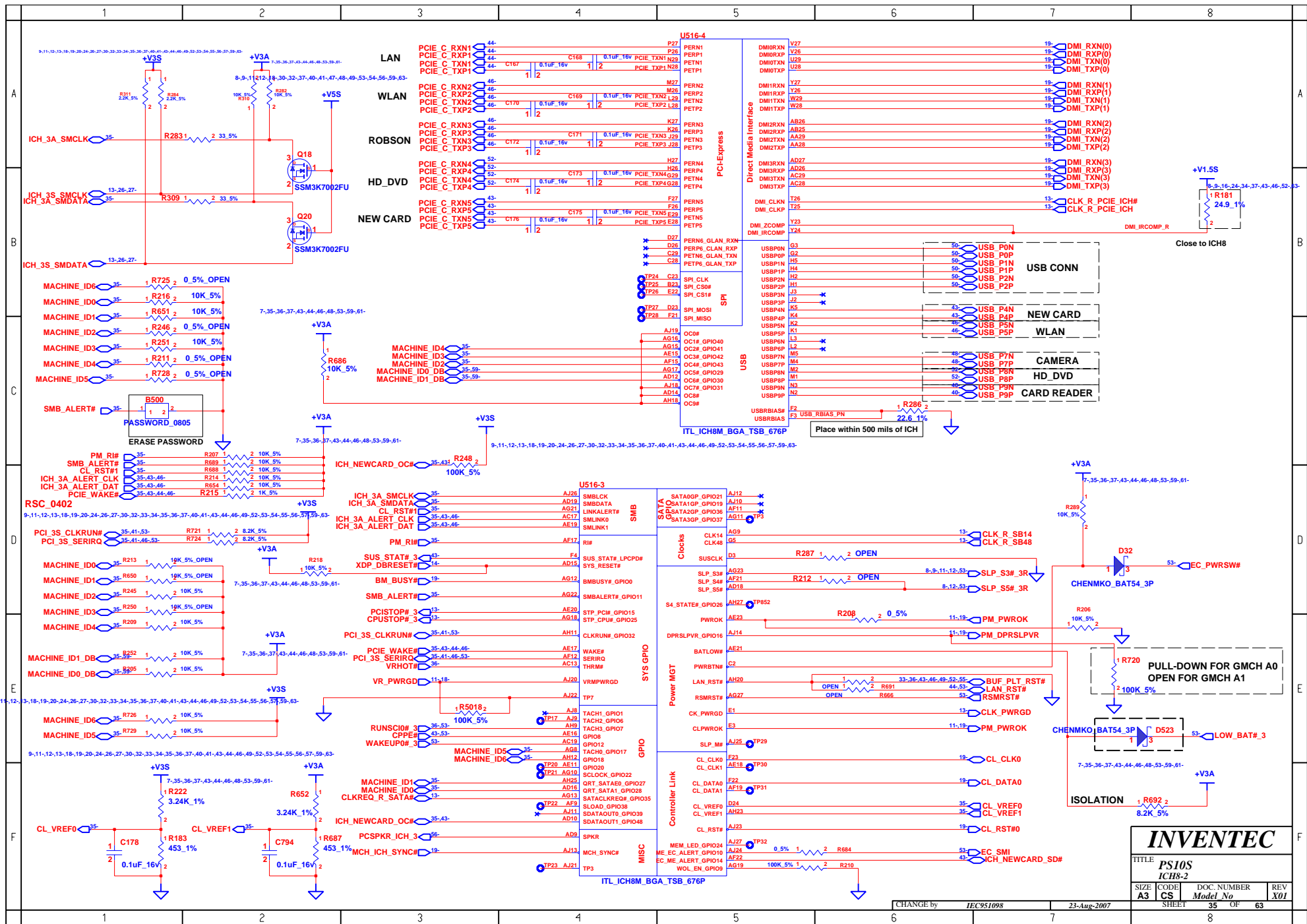
# HDMI TRANSMITTER



<b>INVENTEC</b>				
TITLE <b>PS10S</b>				
HDMI Transmitter				
SIZE	CODE	DOC. NUMBER	REV	
A3	CS	Model No	X01	



<b>INVENTEC</b>			
TITLE <b>PS10S ICH8-1</b>			
SIZE	CODE	DOC. NUMBER	REV
A3	CS	Model No	X01
CHANGE by		DATE	SHEET
IEC951098		3-Dec-2007	34 OF 63



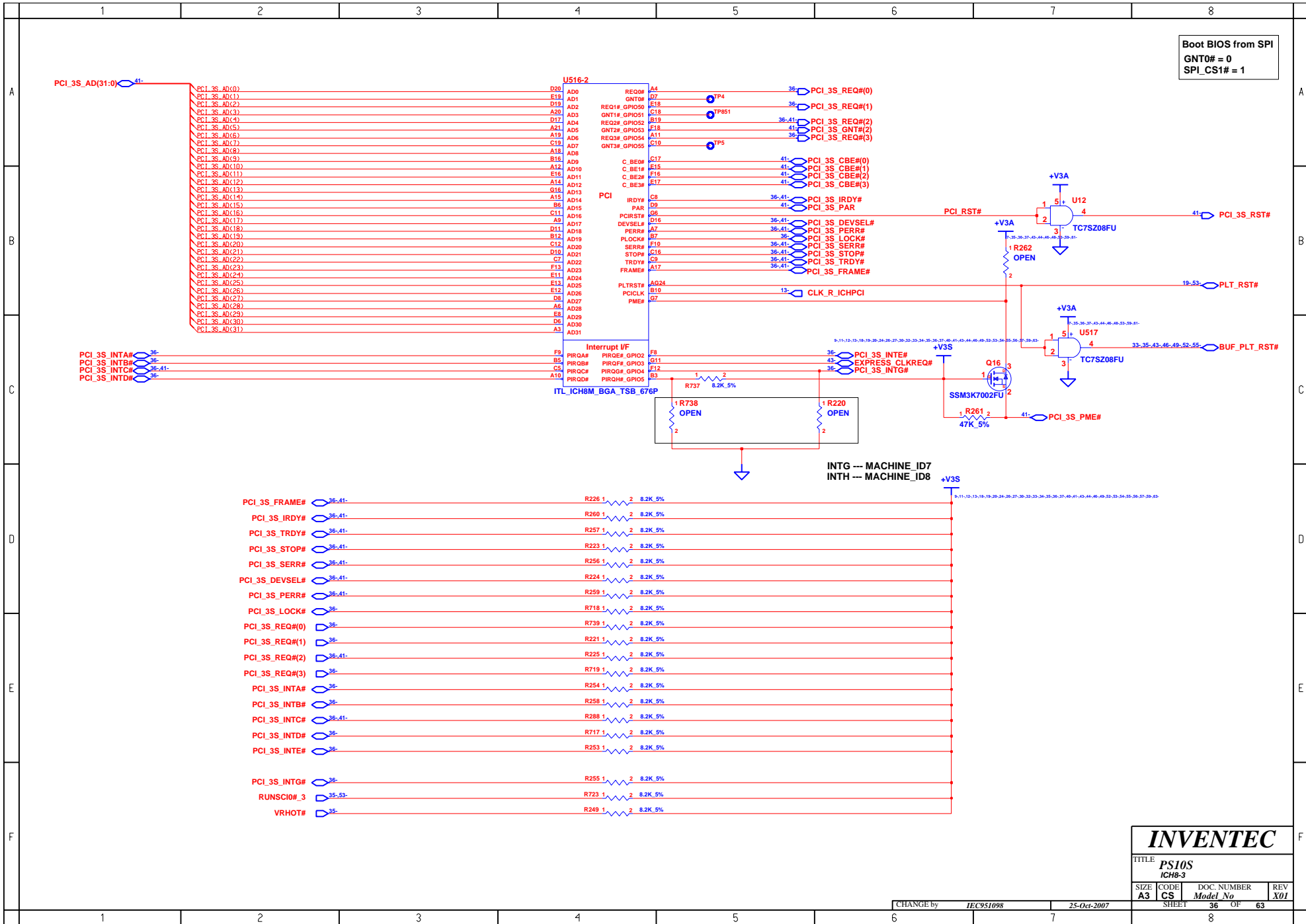
**INVENTEC**

TITLE PS10S  
 ICH8-2

SIZE A3 CODE CS DOC. NUMBER Model No REV X01

SHEET 35 OF 63

CHANGE by IEC951098 23-Aug-2007



Boot BIOS from SPI  
GNT0# = 0  
SPI\_CS1# = 1

# INVENTEC

TITLE			
PS10S			
ICH8-3			
SIZE	CODE	DOC. NUMBER	REV
A3	CS	Model No	X01
CHANGE by		SHEET	
IEC951098		36 OF 63	

25-Oct-2007



	1	2	3	4	5	6	7	8
A								
B								
C								
D								
E								
F								

U516-5

A23	VSS001	VSS009	K7
A5	VSS002	VSS100	L1
AA2	VSS003	VSS101	L13
AAZ	VSS004	VSS102	L15
AAZ	VSS005	VSS103	L26
AB1	VSS006	VSS104	L27
AB24	VSS007	VSS105	L4
AC11	VSS008	VSS106	L5
AC14	VSS009	VSS107	M12
AC25	VSS010	VSS108	M13
AC26	VSS011	VSS109	M14
AC27	VSS012	VSS110	M15
AD17	VSS013	VSS111	M16
AD20	VSS014	VSS112	M17
AD28	VSS015	VSS113	M23
AD29	VSS016	VSS114	M28
AD3	VSS017	VSS115	M29
AD4	VSS018	VSS116	M3
AD6	VSS019	VSS117	N1
AE1	VSS020	VSS118	N11
AE12	VSS021	VSS119	N12
AE2	VSS022	VSS120	N13
AE22	VSS023	VSS121	N14
AD1	VSS024	VSS122	N15
AE25	VSS025	VSS103	N16
AE5	VSS026	VSS124	N17
AE6	VSS027	VSS125	N18
AE9	VSS028	VSS126	N26
AF14	VSS029	VSS127	N27
AF16	VSS030	VSS128	N4
AF18	VSS031	VSS129	N5
AF3	VSS032	VSS130	N6
AF4	VSS033	VSS131	P12
AG5	VSS034	VSS132	P13
AG6	VSS035	VSS133	P14
AH10	VSS036	VSS134	P15
AH13	VSS037	VSS135	P16
AH16	VSS038	VSS136	P17
AH19	VSS039	VSS137	P23
AH2	VSS040	VSS138	P28
AF28	VSS041	VSS139	P29
AH22	VSS042	VSS140	R11
AH24	VSS043	VSS141	R12
AH26	VSS044	VSS142	R13
AH3	VSS045	VSS143	R14
AH4	VSS046	VSS144	R15
AH8	VSS047	VSS145	R16
AJ5	VSS048	VSS146	R17
B11	VSS049	VSS147	R18
B14	VSS050	VSS148	R28
B17	VSS051	VSS149	R4
B2	VSS052	VSS150	T12
B20	VSS053	VSS151	T13
B22	VSS054	VSS152	T14
BB	VSS055	VSS153	T15
C24	VSS056	VSS154	T16
C26	VSS057	VSS155	T17
C27	VSS058	VSS156	T2
C6	VSS059	VSS157	U12
D12	VSS060	VSS158	U13
D15	VSS061	VSS159	U14
D18	VSS062	VSS160	U15
D2	VSS063	VSS161	U16
D4	VSS064	VSS162	U17
E21	VSS065	VSS163	U23
E24	VSS066	VSS164	U26
E4	VSS067	VSS165	U27
E9	VSS068	VSS166	U3
F16	VSS069	VSS167	U8
E23	VSS070	VSS168	V13
F28	VSS071	VSS169	V15
F29	VSS072	VSS170	V28
F7	VSS073	VSS171	V29
G1	VSS074	VSS172	W2
E2	VSS075	VSS173	W26
G10	VSS076	VSS174	W27
G13	VSS077	VSS175	V28
G19	VSS078	VSS176	V29
G23	VSS079	VSS177	Y4
G25	VSS080	VSS178	AB4
G26	VSS081	VSS179	AB33
G27	VSS082	VSS180	AB5
H25	VSS083	VSS181	AB6
H28	VSS084	VSS182	AD5
H29	VSS085	VSS183	U4
H3	VSS086	VSS184	W24
H6	VSS087	VSS NCTF. 01	A1
J1	VSS088	VSS NCTF. 02	A2
J6	VSS089	VSS NCTF. 03	A26
J26	VSS090	VSS NCTF. 04	A29
J27	VSS091	VSS NCTF. 05	AH1
J6	VSS092	VSS NCTF. 06	AH29
J5	VSS093	VSS NCTF. 07	AJ1
K23	VSS094	VSS NCTF. 08	AJ2
K28	VSS095	VSS NCTF. 09	AJ28
K28	VSS096	VSS NCTF. 010	AJ29
K3	VSS097	VSS NCTF. 011	B1
K6	VSS098	VSS NCTF. 012	B29

ITL\_ICH8M\_BGA\_TSB\_676P

**INVENTEC**

TITLE **PS10S**  
**ICH8-5**

SIZE	CODE	DOC. NUMBER	REV
<b>A3</b>	<b>CS</b>	<i>Model No</i>	<i>X01</i>

SHEET 38 OF 63

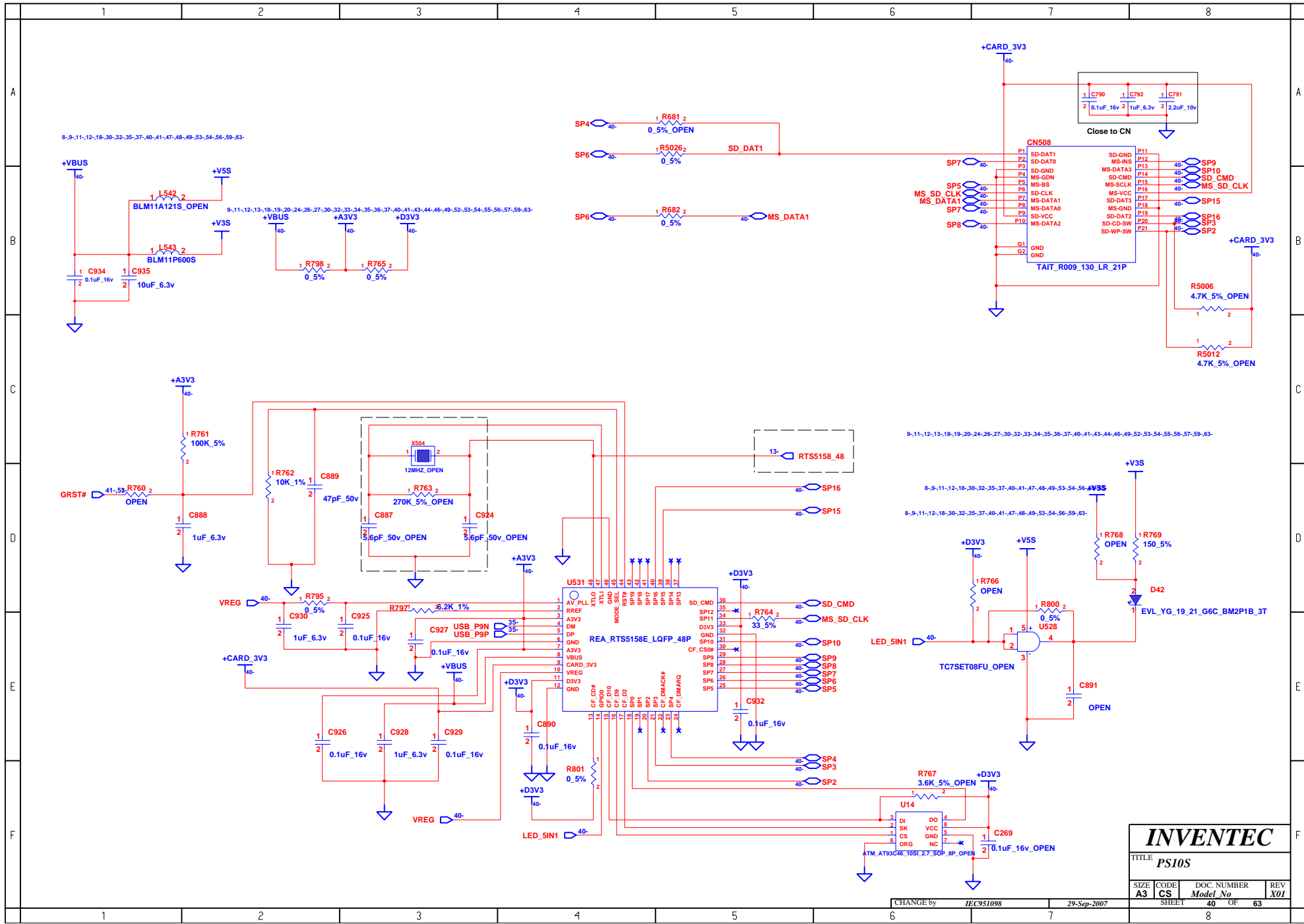
	1	2	3	4	5	6	7	8
--	---	---	---	---	---	---	---	---

**BLANK**

<b>INVENTEC</b>			
TITLE <i>PS10S</i>			
SIZE	CODE	DOC. NUMBER	REV
<b>A3</b>	<b>CS</b>	<i>Model No</i>	<b>X01</b>
SHEET		39	OF 63

CHANGE by *IEC951098* 30-Nov-2007

	1	2	3	4	5	6	7	8	
A									A
B									B
C									C
D									D
E									E
F									F
	1	2	3	4	5	6	7	8	

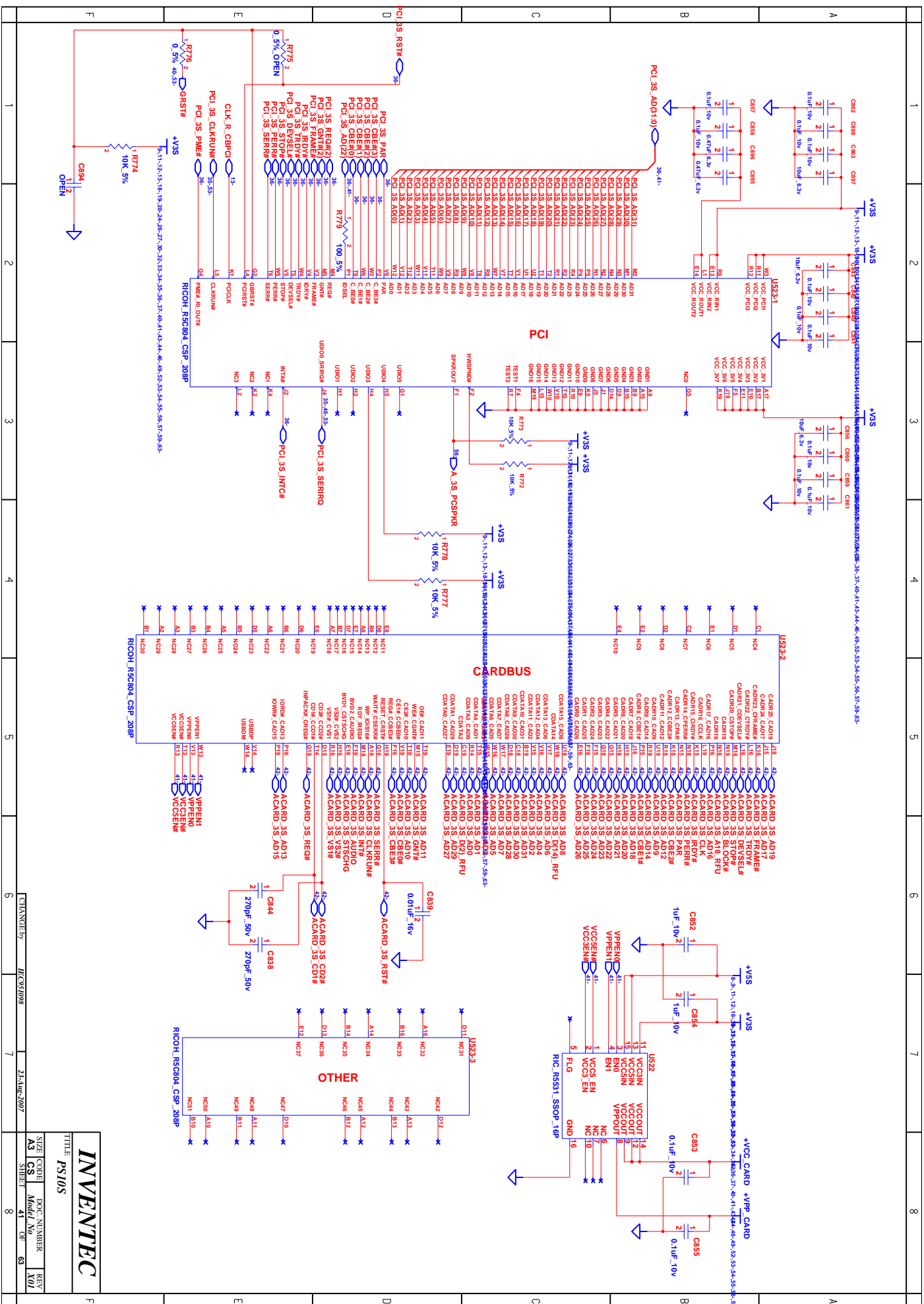


# INVENTEC

TITLE			
PS10S			
SIZE	CODE	DOC NUMBER	REV
A3	CS	Model No	X01
SHEET		40	OF 63

CHANGE by IEC951098 29-Sep-2007



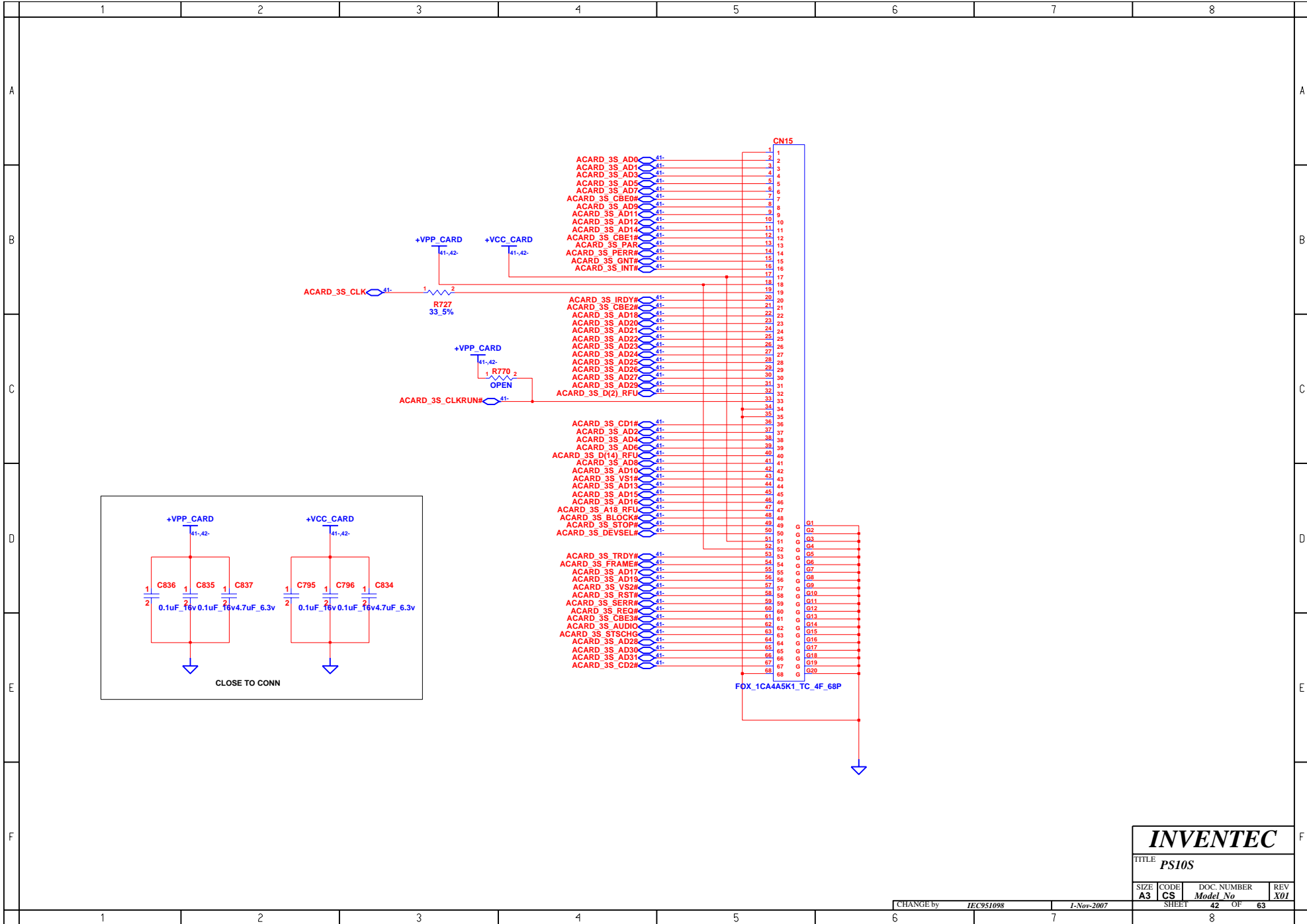


**INVENTEC**

PS10S

SIZE	CODE	DOC NUMBER	REV
A3	CS	Model No	101
		SHEET	41 OF 63

CHANGE BY: JES/2008  
21-10-2007



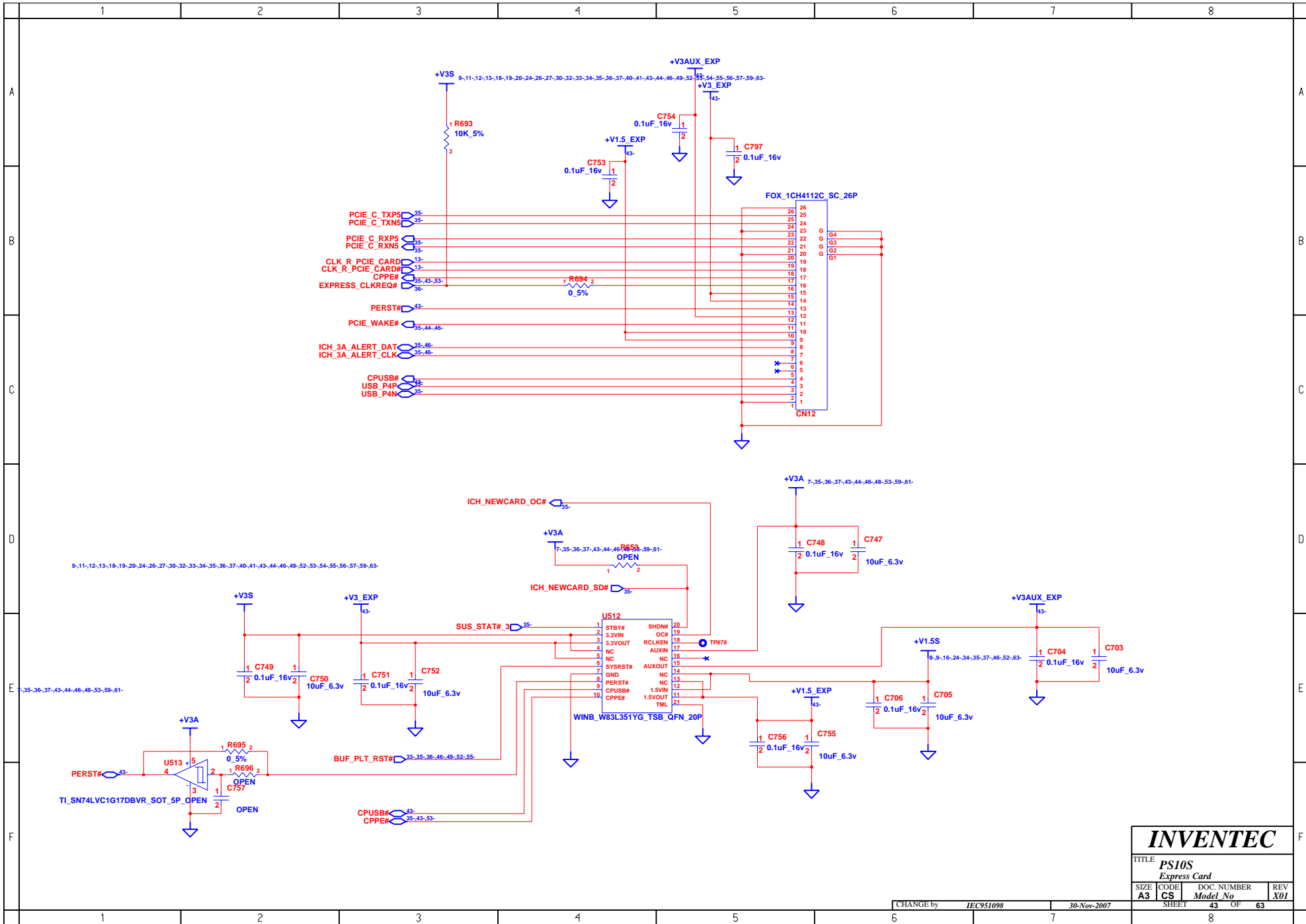
**INVENTEC**

TITLE  
**PS10S**

SIZE <b>A3</b>	CODE <b>CS</b>	DOC. NUMBER <i>Model No</i>	REV <b>X01</b>
-------------------	-------------------	--------------------------------	-------------------

CHANGE by **IEC951098** *J-Nov-2007*

SHEET **42** OF **63**

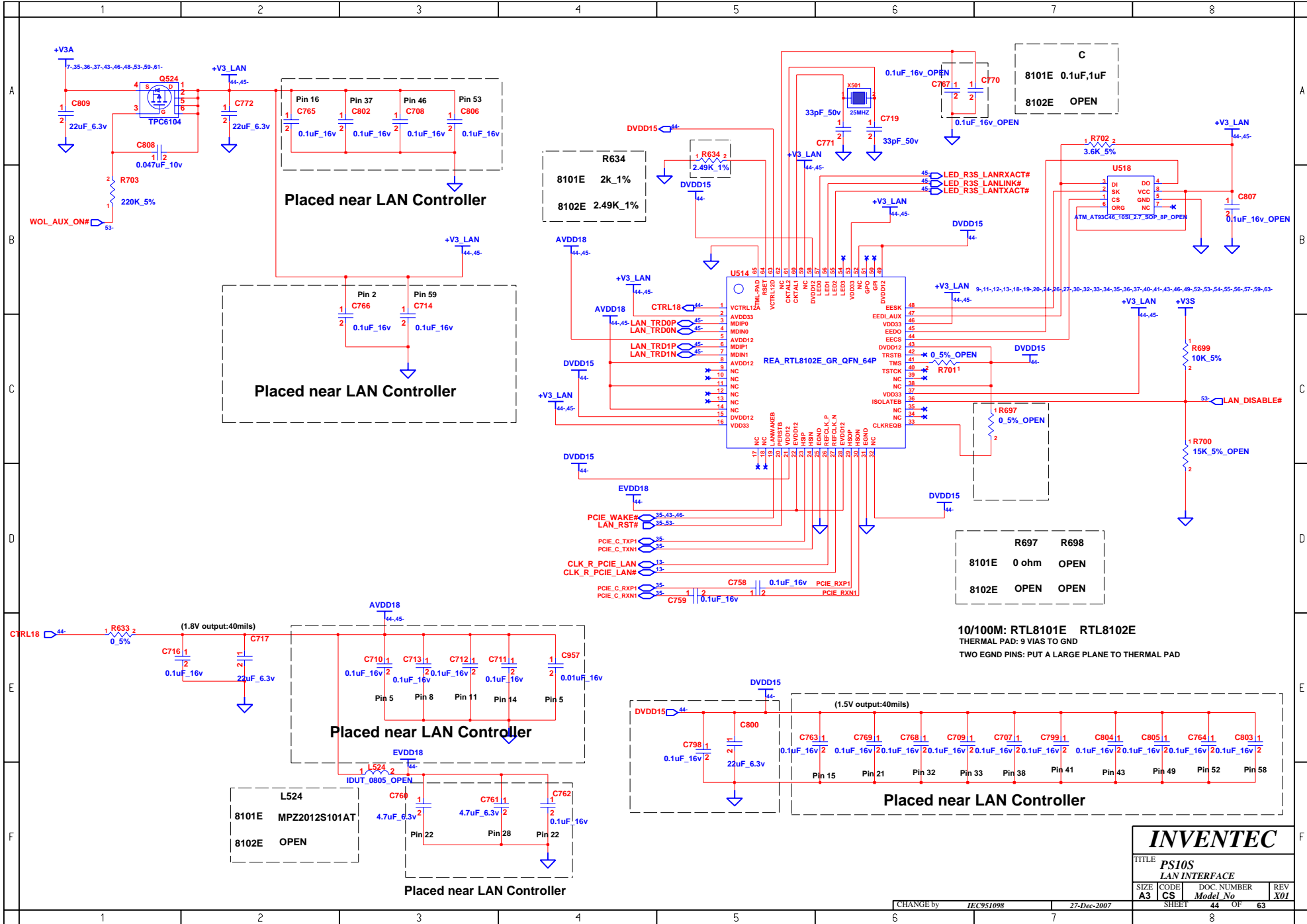


# INVENTEC

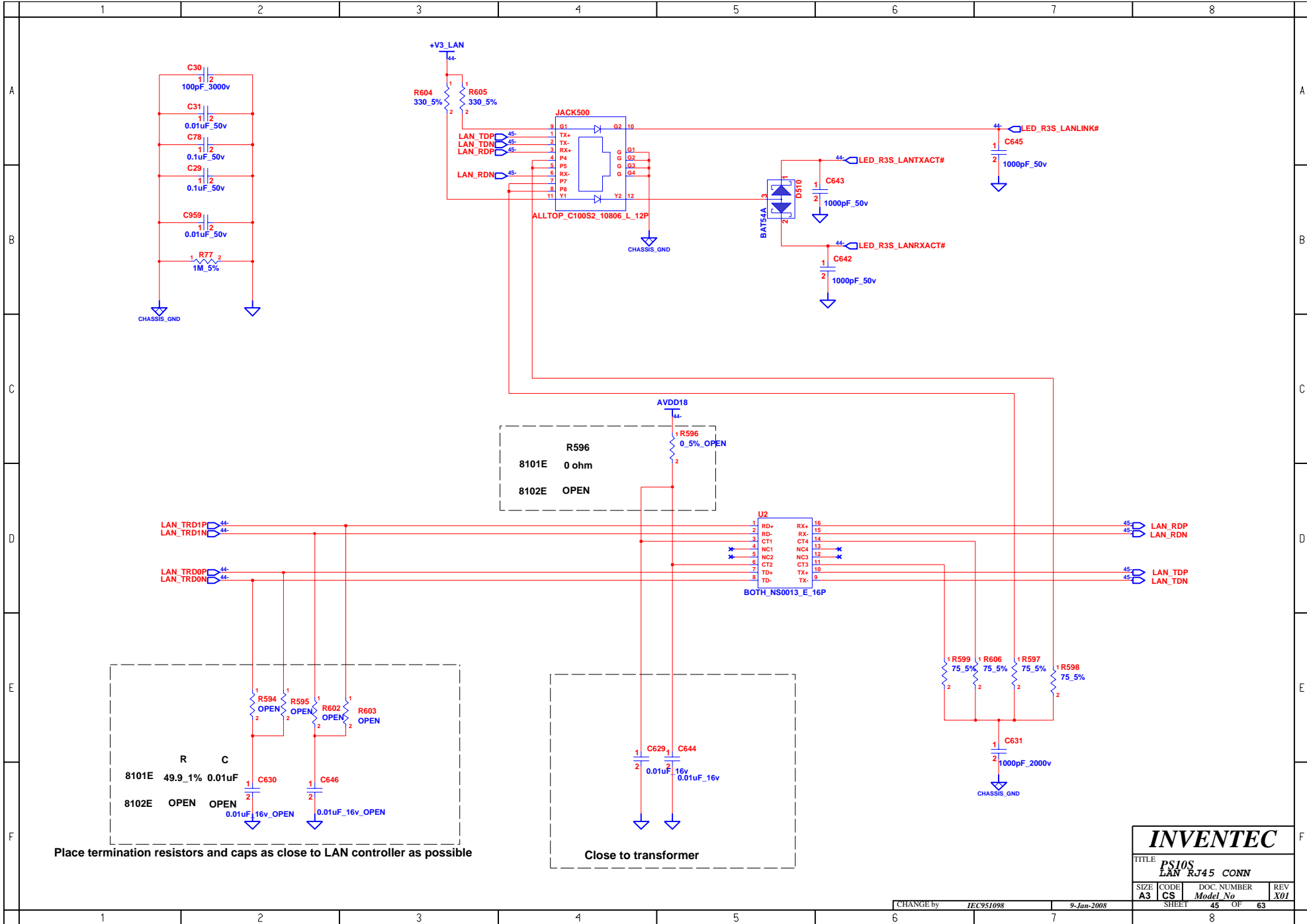
TITLE  
**PS10S**  
*Express Card*

SIZE	CODE	DOC. NUMBER	REV
A3	CS	Model No	X01

CHANGE by	IEC951098	30-Nov-2007
-----------	-----------	-------------



<b>INVENTEC</b>			
TITLE: PS10S LAN INTERFACE			
SIZE: A3	CODE: CS	DOC NUMBER: Model No	REV: X01
CHANGE by: IEC951098		27-Dec-2007	
SHEET: 44		OF: 63	

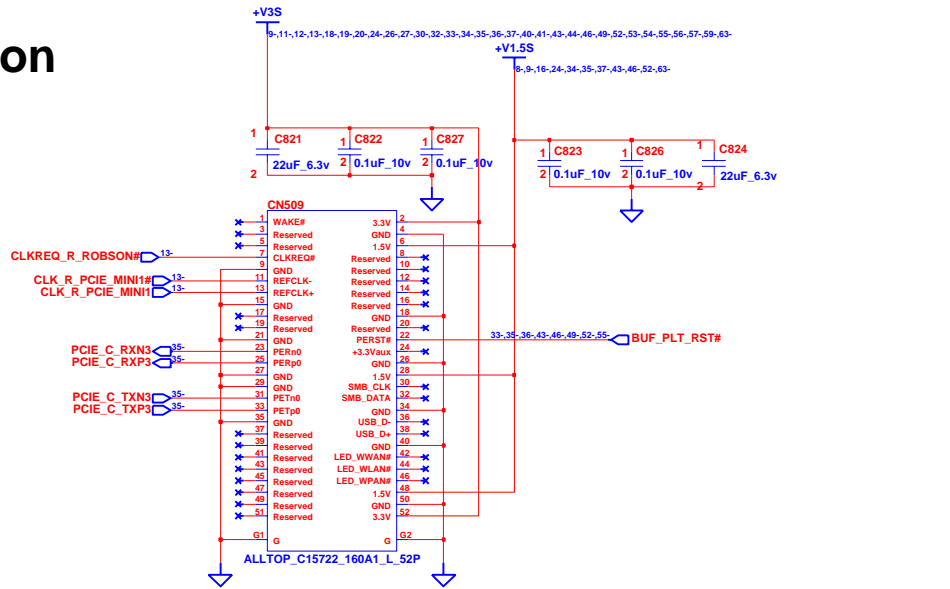


Place termination resistors and caps as close to LAN controller as possible

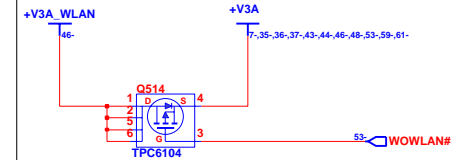
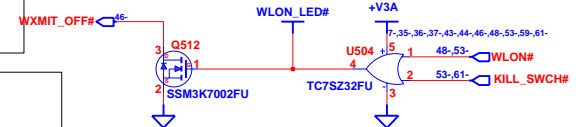
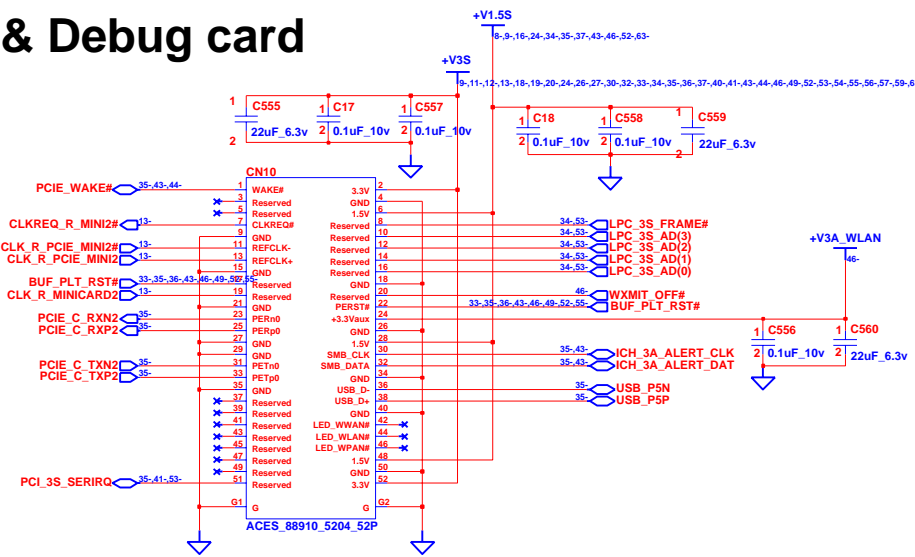
Close to transformer

<b>INVENTEC</b>			
TITLE <b>PS10S LAN RJ45 CONN</b>			
SIZE <b>A3</b>	CODE <b>CS</b>	DOC. NUMBER <b>Model No</b>	REV <b>X01</b>
CHANGE by <b>IEC951098</b>		9-Jan-2008	
SHEET <b>45</b>		OF <b>63</b>	

# Robson



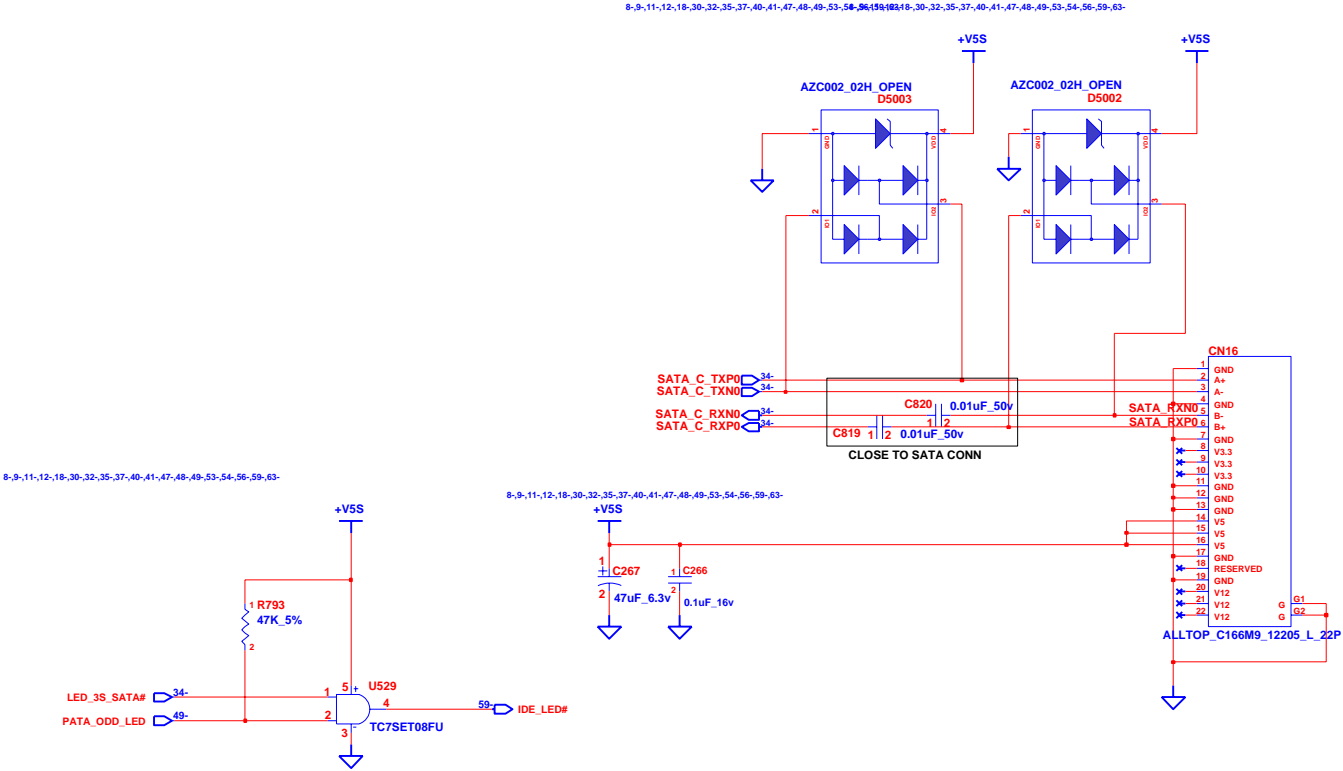
# Wireless & Debug card



## INVENTEC

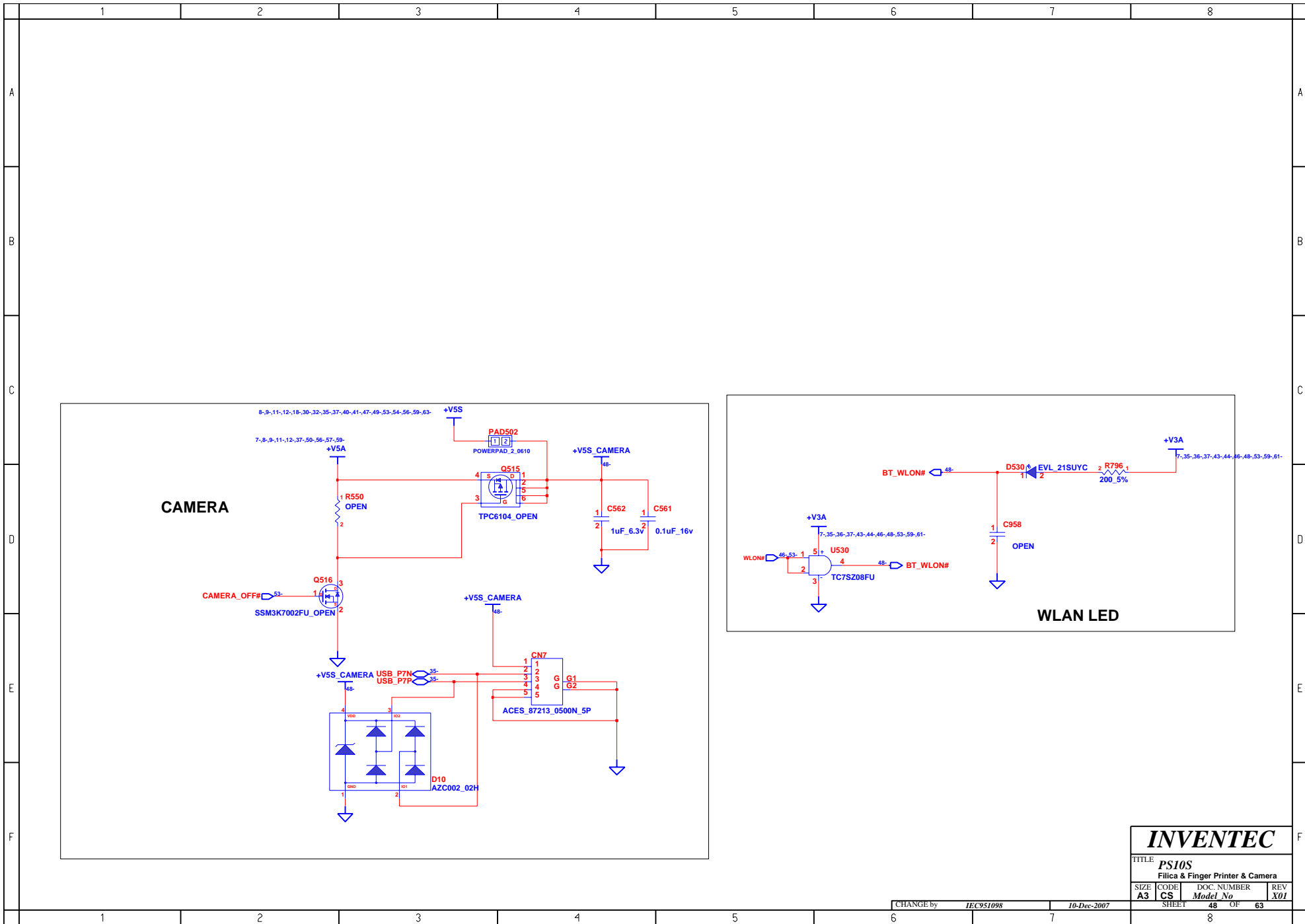
TITLE			
PS10S			
Robson & WLAN			
SIZE	CODE	DOC. NUMBER	REV
A3	CS	Model No	X01
SHEET		OF	
46		63	

# SATA HDD01



## INVENTEC

TITLE			
PS10S			
SATA HDD CONN			
SIZE	CODE	DOC. NUMBER	REV
A3	CS	Model No	X01

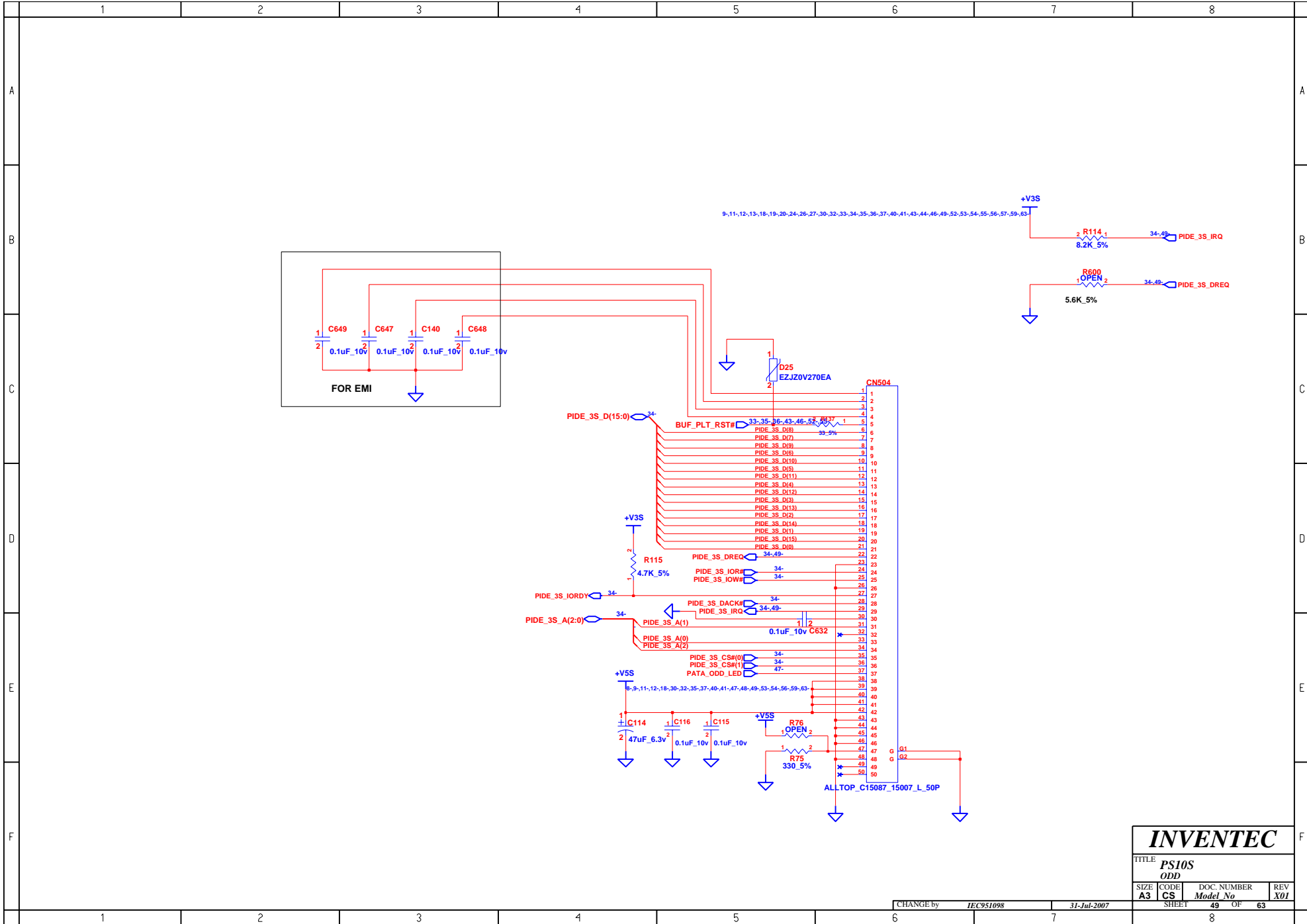


**INVENTEC**

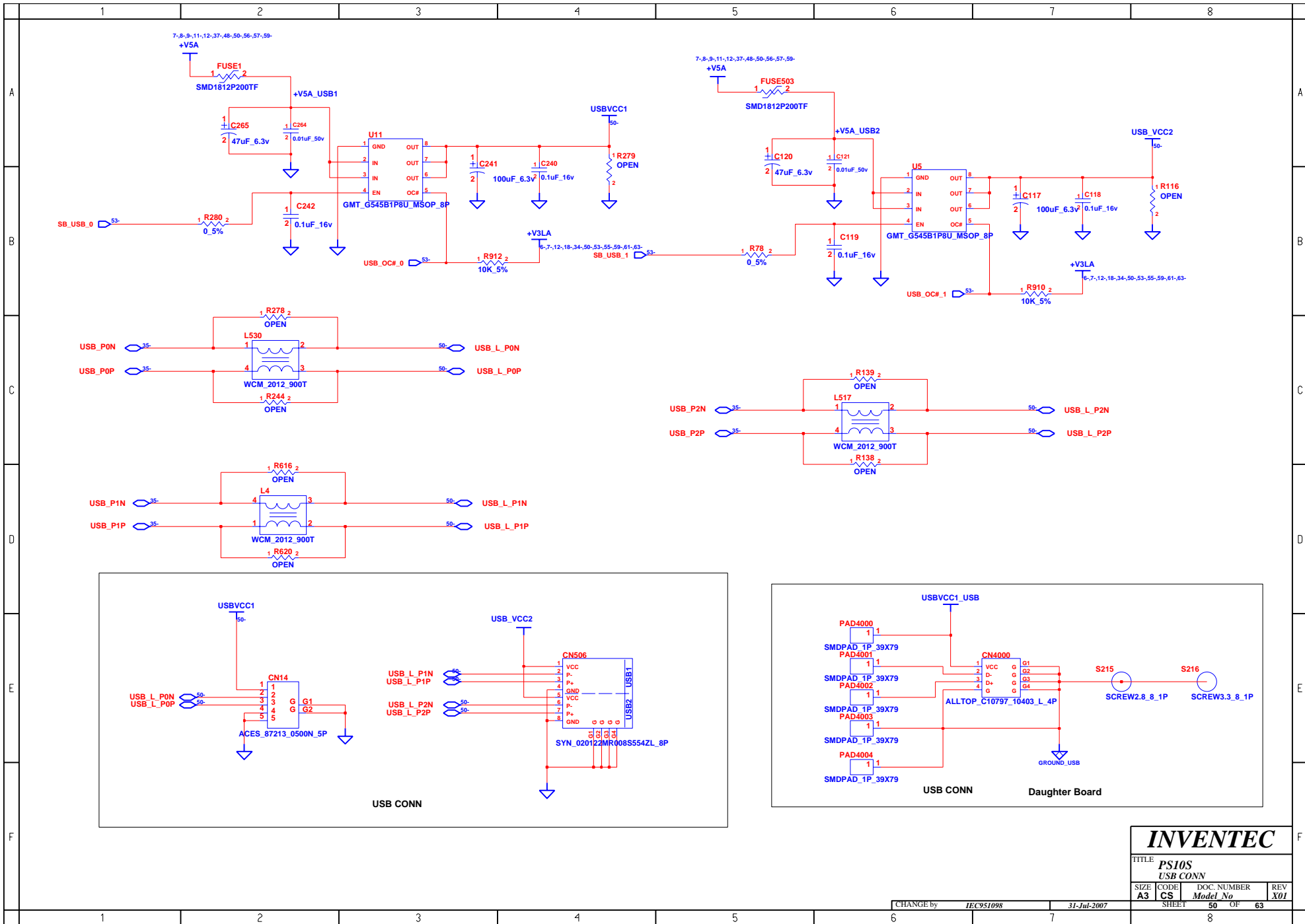
TITLE			
PS10S			
Filica & Finger Printer & Camera			
SIZE	CODE	DOC. NUMBER	REV
A3	CS	Model No	X01
CHANGE by		SHEET	
IEC951098		48 OF 63	

10-Dec-2007





<b>INVENTEC</b>			
TITLE <b>PS10S ODD</b>			
SIZE <b>A3</b>	CODE <b>CS</b>	DOC. NUMBER <i>Model No</i>	REV <b>X01</b>
CHANGE by <i>IEC951098</i>		31-Jul-2007	
SHEET		49	OF 63



# INVENTEC

TITLE			
PS10S			
USB CONN			
SIZE	CODE	DOC. NUMBER	REV
A3	CS	Model No	X01
CHANGE by		SHEET	
IEC951098		50 OF 63	

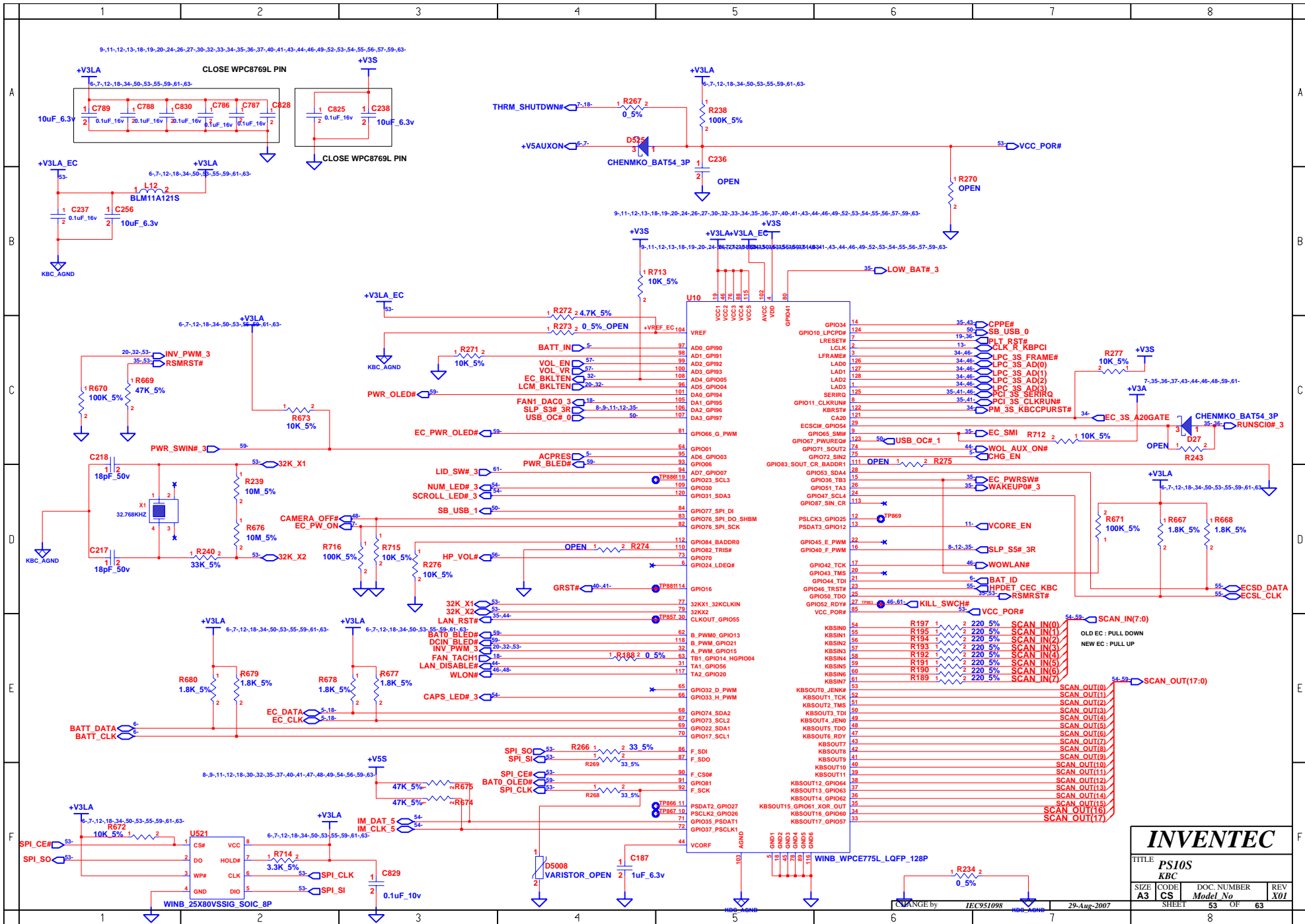
31-Jul-2007

**BLANK**

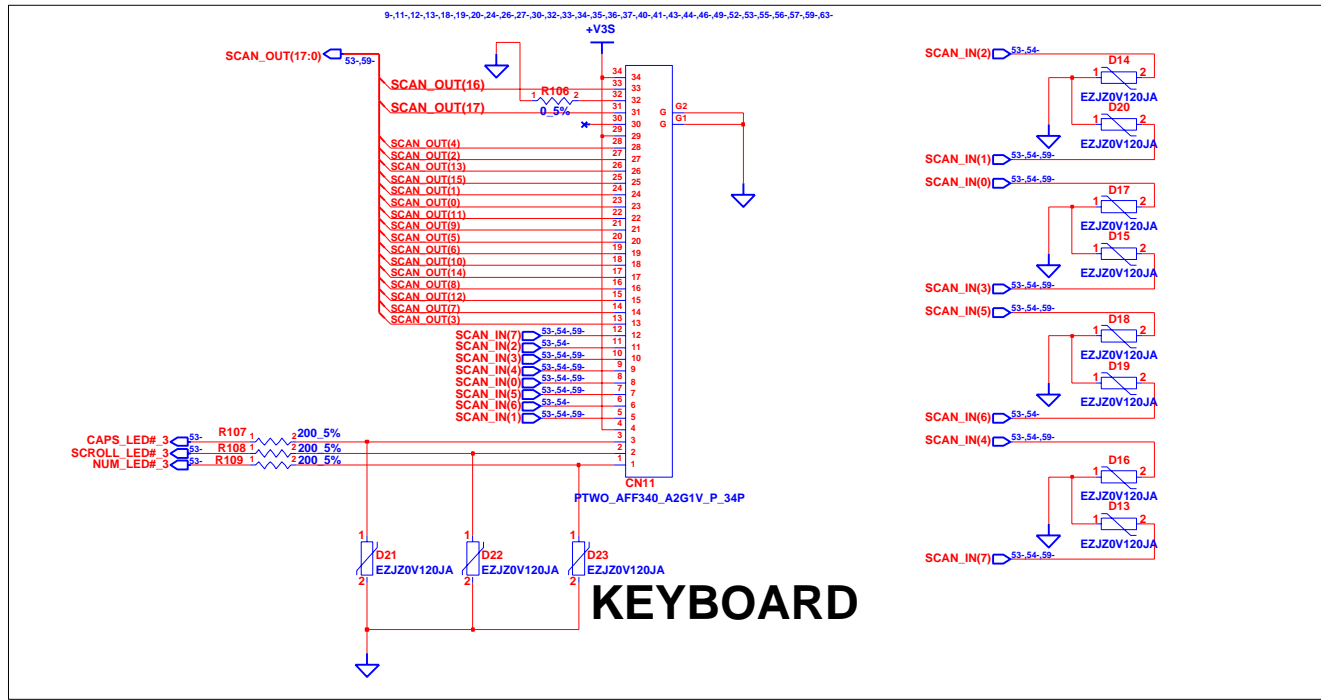
<b>INVENTEC</b>			
TITLE <b>PS10S BLUETOOTH</b>			
SIZE <b>A3</b>	CODE <b>CS</b>	DOC. NUMBER <i>Model No.</i>	REV <b>X01</b>
CHANGE by <i>IEC951098</i>		30-Nov-2007	
SHEET		51	OF 63

	1	2	3	4	5	6	7	8	
A									A
B									B
C									C
D									D
E									E
F									F
	1	2	3	4	5	6	7	8	

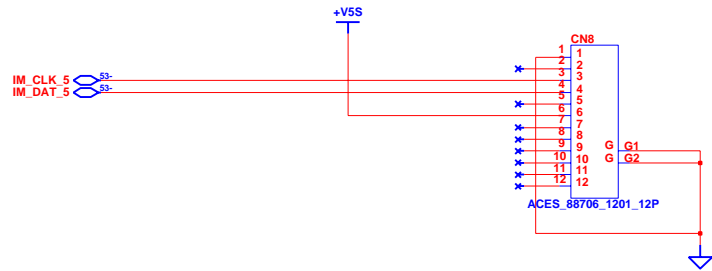




<b>INVENTEC</b>			
TITLE <b>PS10S KBC</b>			
SIZE <b>A3</b>	CODE <b>CS</b>	DOC. NUMBER <b>Model No</b>	REV <b>X01</b>
CHANGE by <b>IEC951098</b>		29-Aug-2007	
SHEET <b>53</b>		OF <b>63</b>	

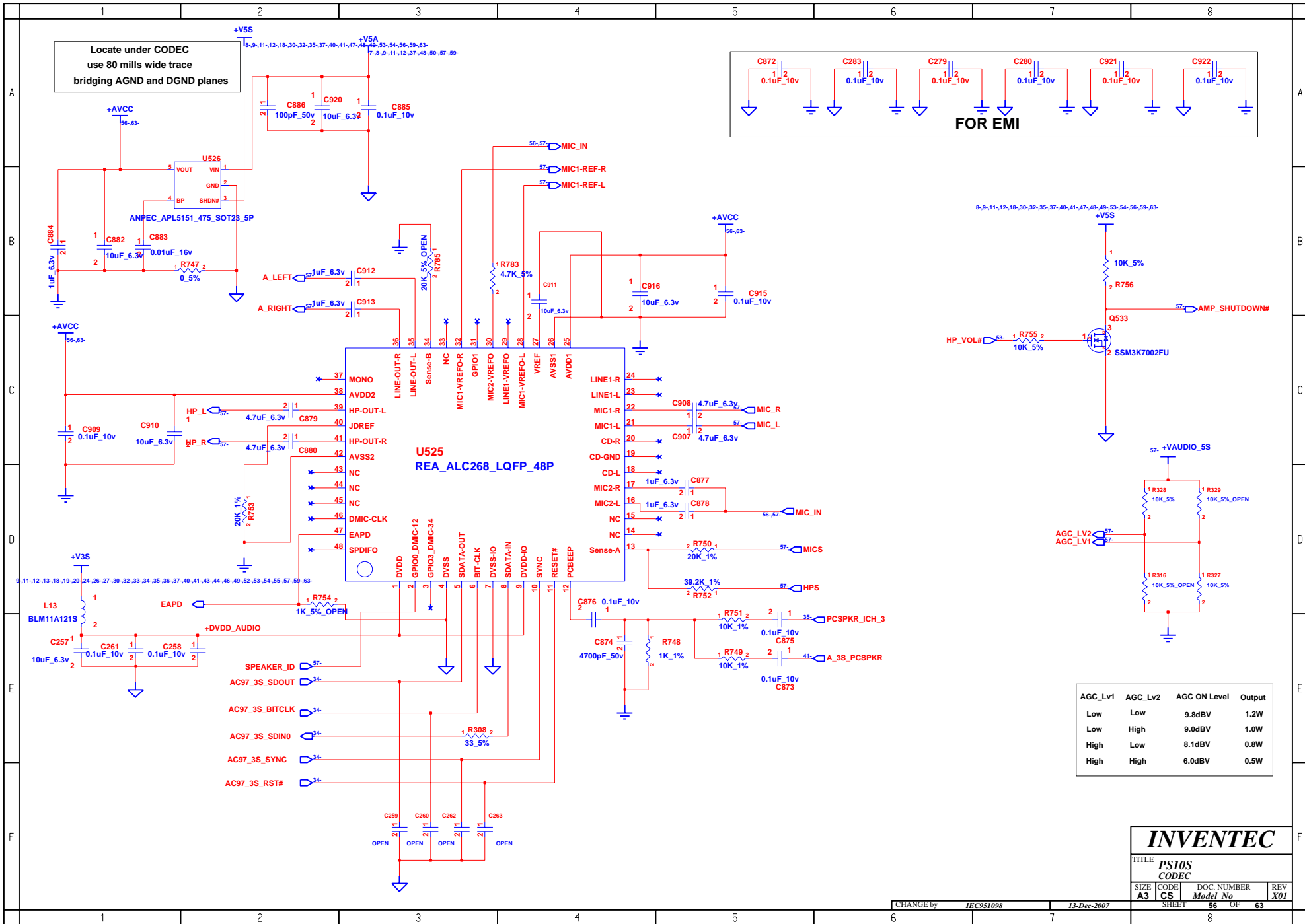


# KEYBOARD

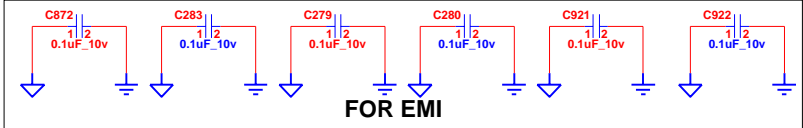


<b>INVENTEC</b>			
TITLE <b>PS10S</b> INT.KBC/POINT DEVICES			
SIZE <b>A3</b>	CODE <b>CS</b>	DOC. NUMBER Model No	REV <b>X01</b>
CHANGE by <b>IEC951098</b>		10-Dec-2007	
SHEET		54 OF 63	





Locate under CODEC  
use 80 mills wide trace  
bridging AGND and DGND planes

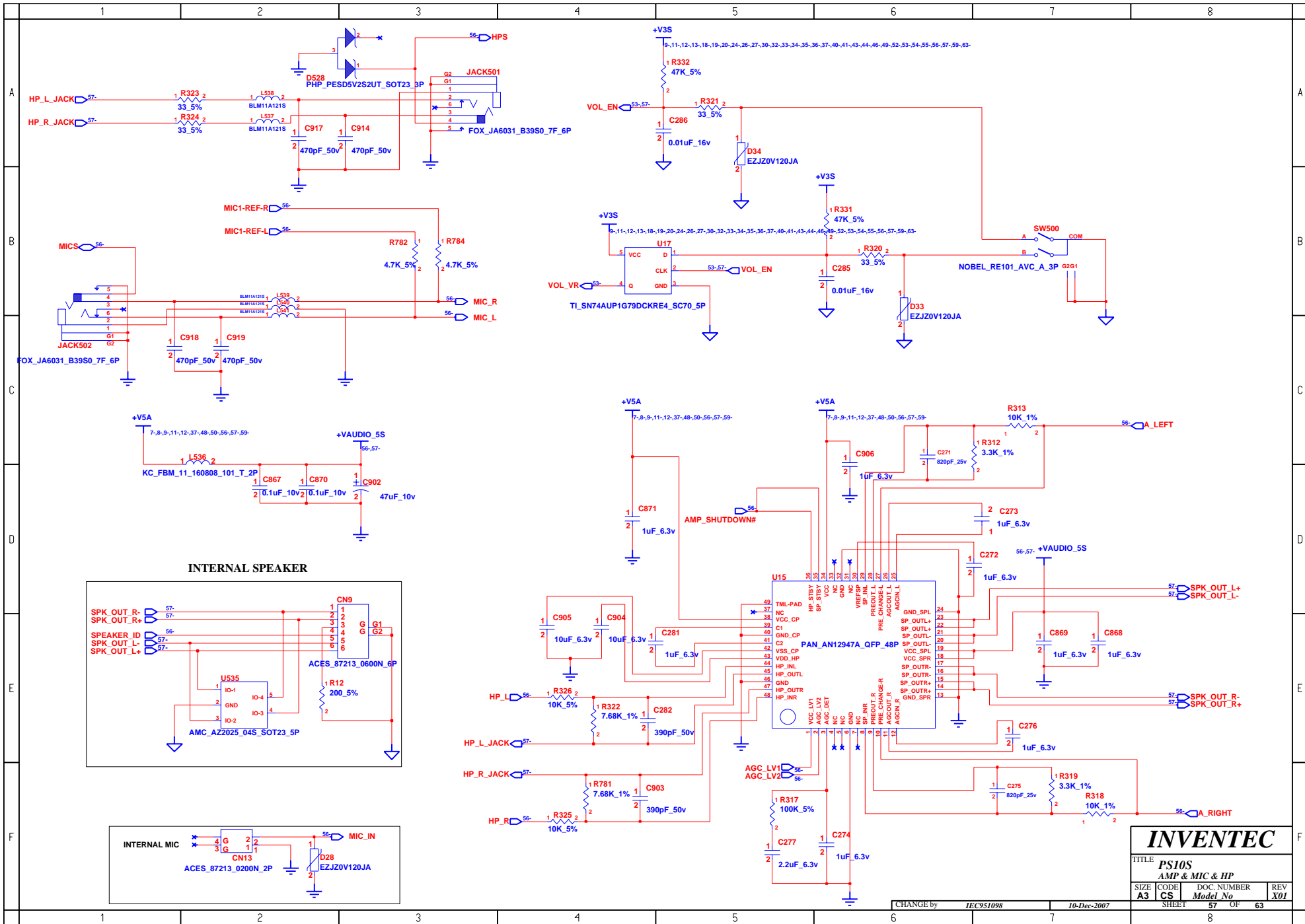


AGC_Lv1	AGC_Lv2	AGC ON Level	Output
Low	Low	9.8dBV	1.2W
Low	High	9.0dBV	1.0W
High	Low	8.1dBV	0.8W
High	High	6.0dBV	0.5W

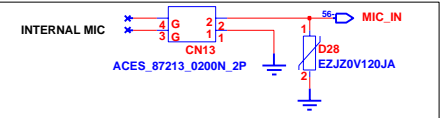
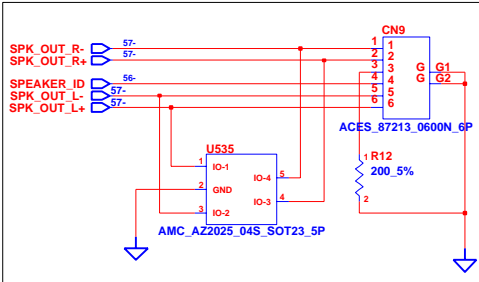
# INVENTEC

TITLE PS10S CODEC			
SIZE A3	CODE CS	DOC. NUMBER Model No	REV X01

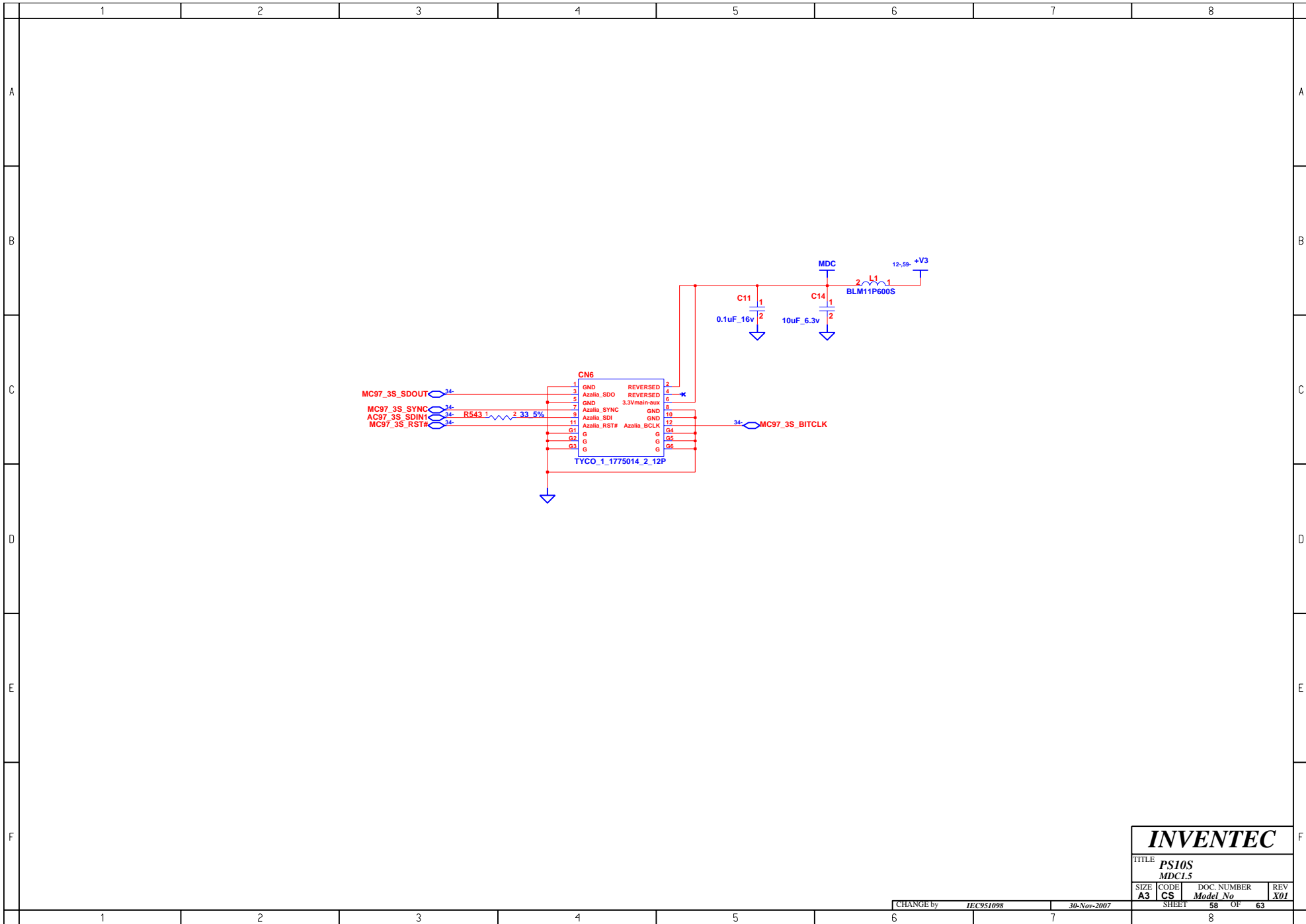




**INTERNAL SPEAKER**



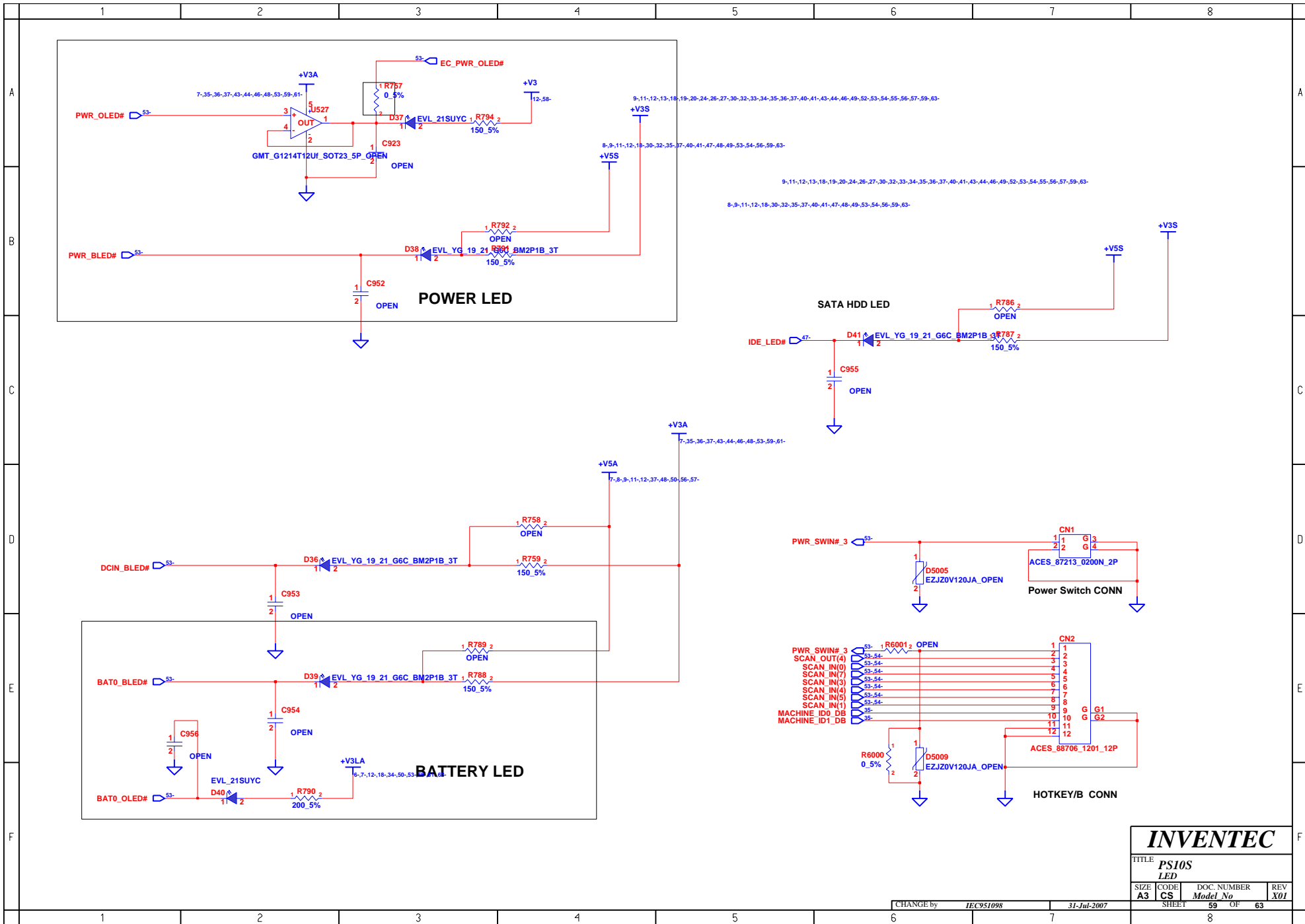
<b>INVENTEC</b>			
TITLE <b>PS10S AMP &amp; MIC &amp; HP</b>			
SIZE <b>A3</b>	CODE <b>CS</b>	DOC. NUMBER <b>Model No</b>	REV <b>X01</b>
CHANGE by <b>IEC951098</b>		10-Dec-2007	
SHEET <b>57</b>		OF <b>63</b>	



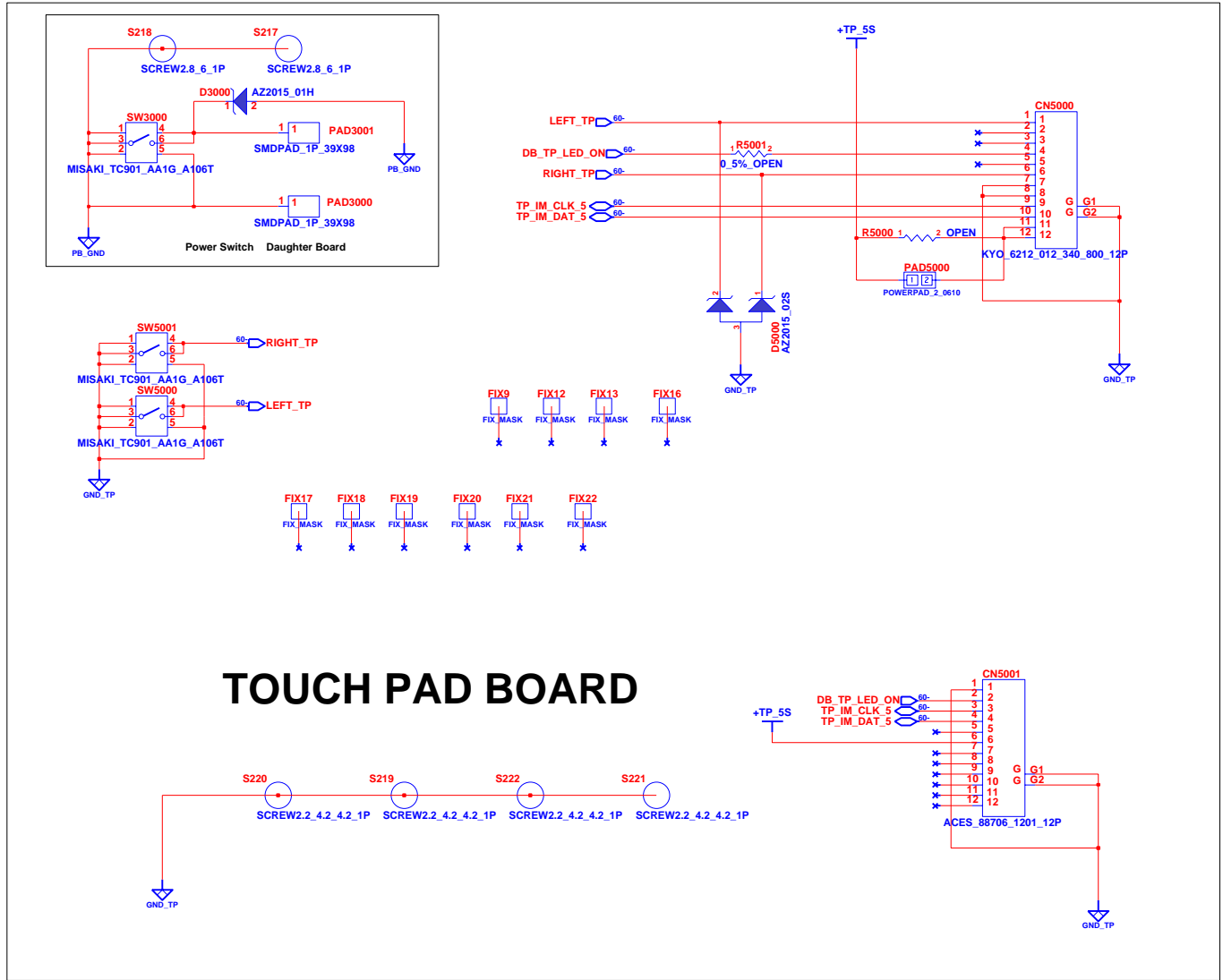
**INVENTEC**

TITLE  
**PS10S**  
**MDCL5**

SIZE <b>A3</b>	CODE <b>CS</b>	DOC. NUMBER <i>Model No</i>	REV <b>X01</b>
-------------------	-------------------	--------------------------------	-------------------



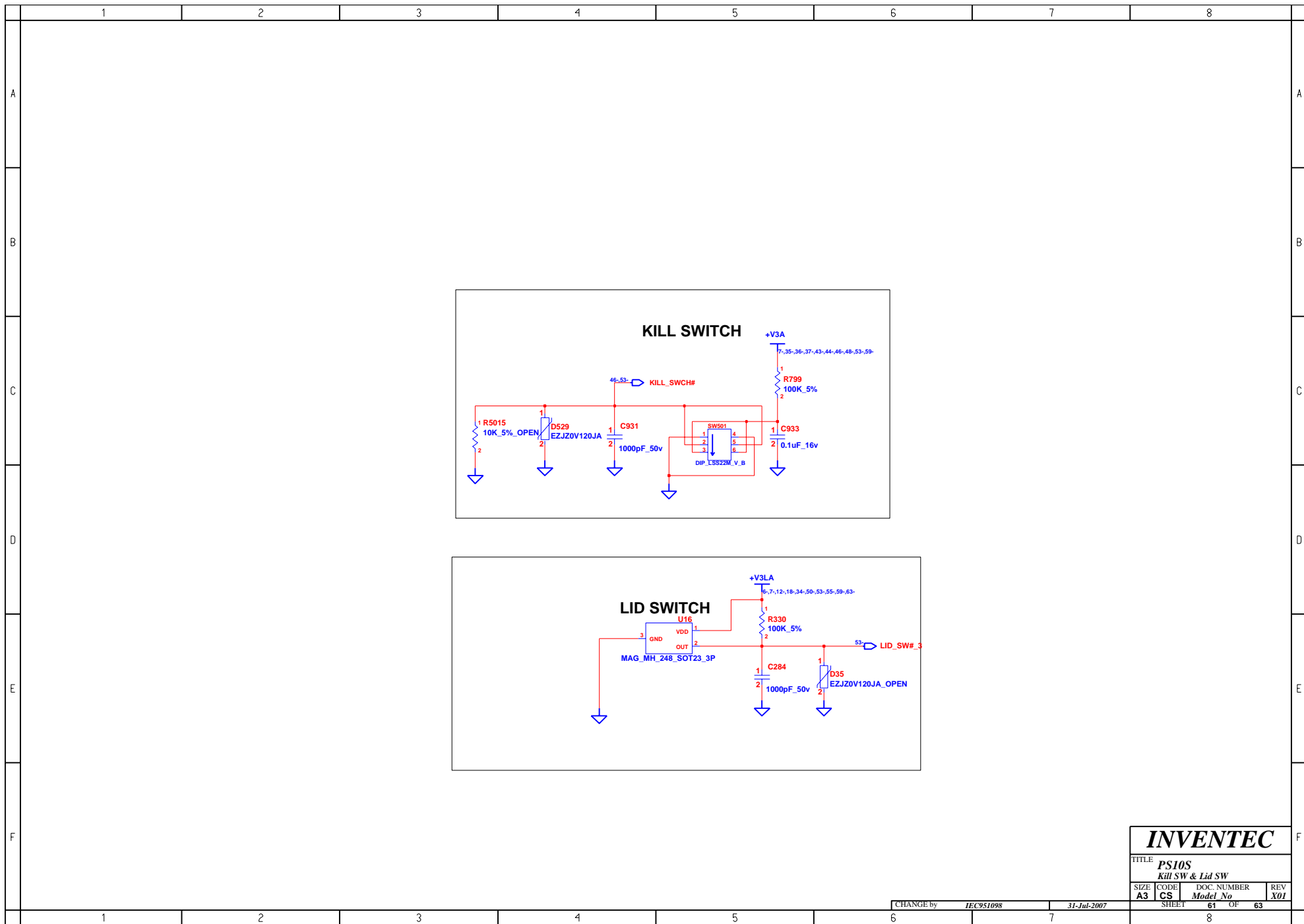
<b>INVENTEC</b>			
TITLE <b>PS10S LED</b>			
SIZE <b>A3</b>	CODE <b>CS</b>	DOC. NUMBER <i>Model No</i>	REV <b>X01</b>
CHANGE by <i>IEC951098</i>		31-Jul-2007	
SHEET 59		OF 63	
1		8	



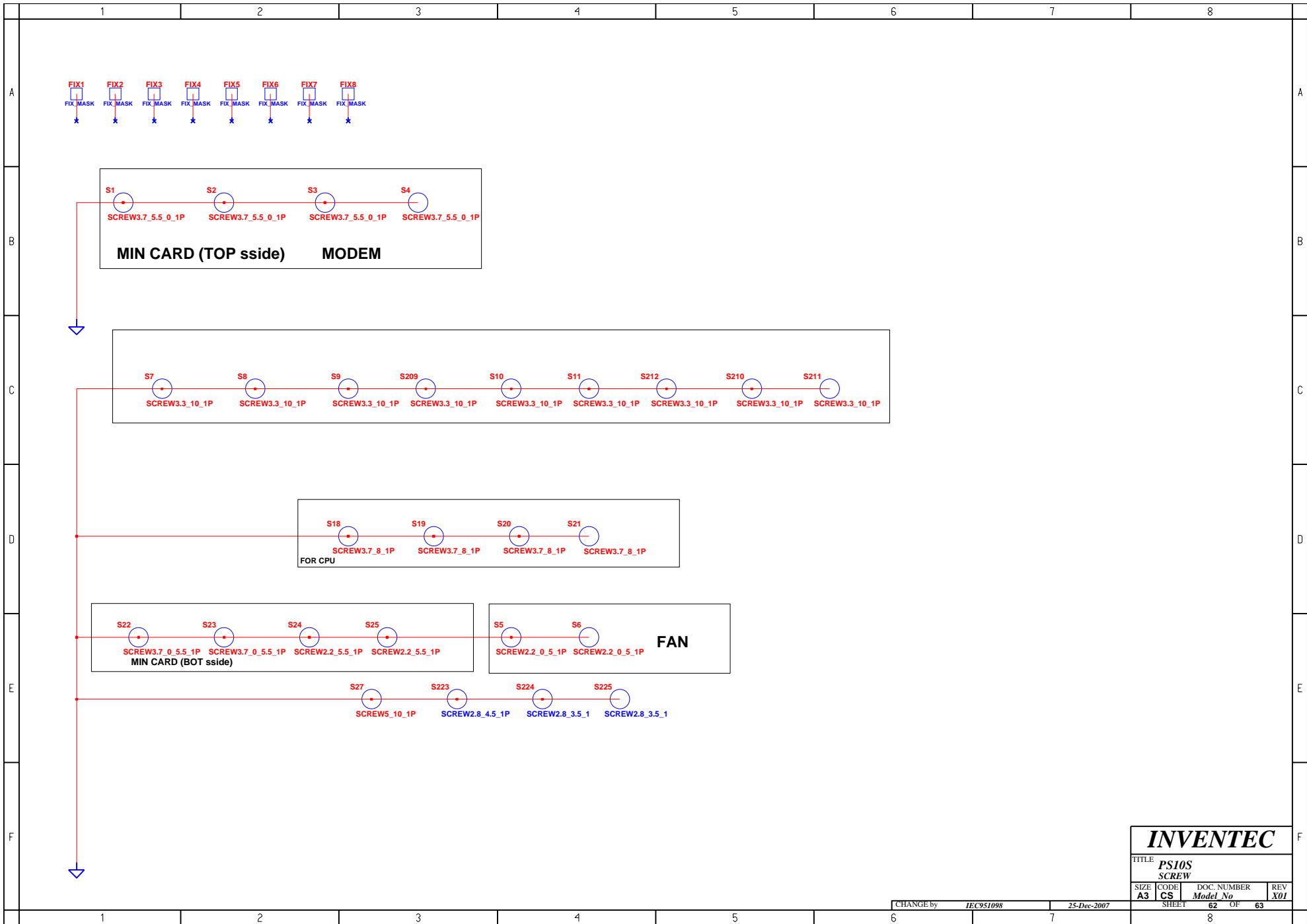
**INVENTEC**

TITLE			
PS10S			
Touch Pad Board			
SIZE	CODE	DOC. NUMBER	REV
A3	CS	Model No	X01
CHANGE by		SHEET	OF
IEC951098		60	63

5-Nov-2007

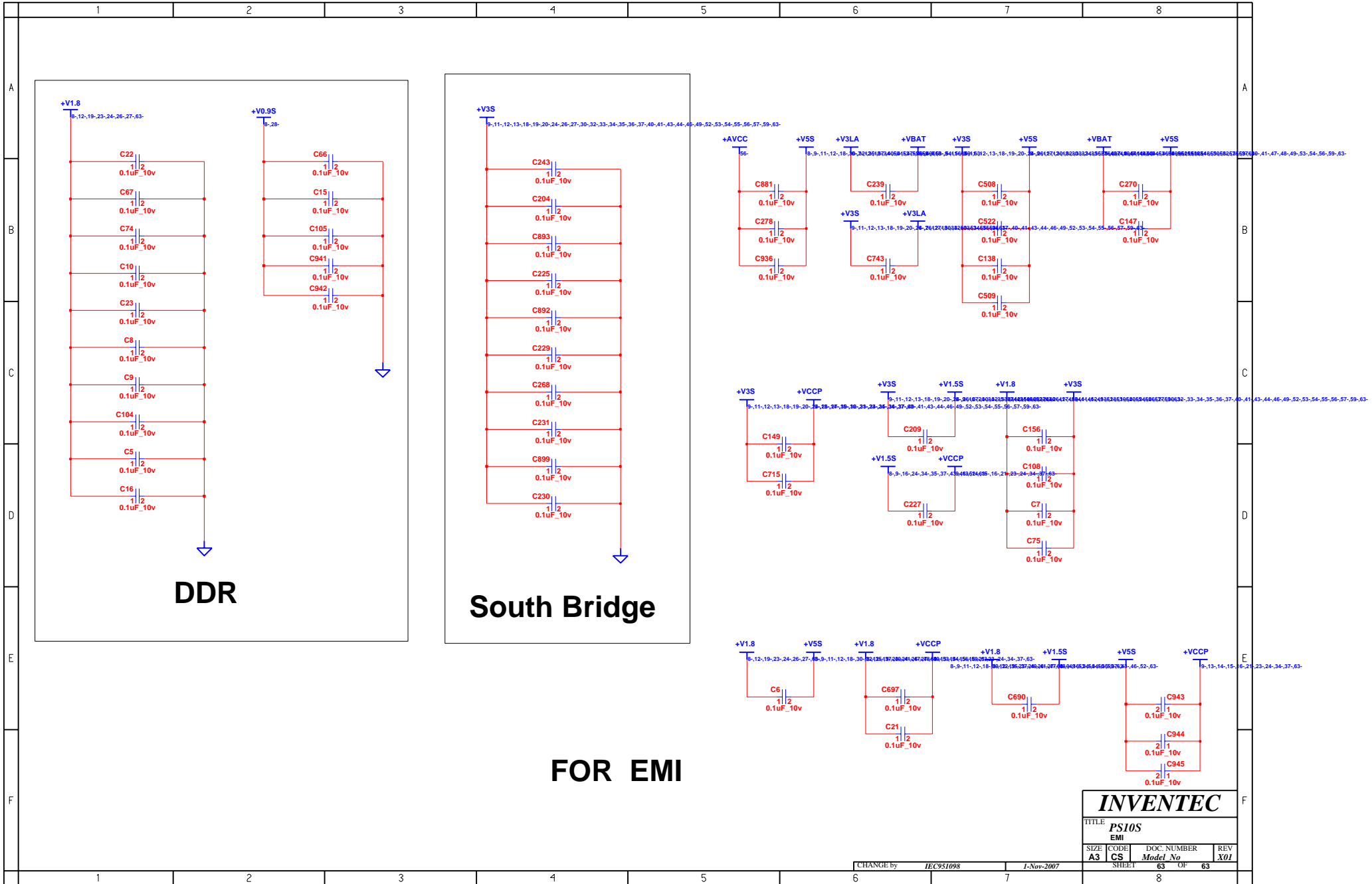


<b>INVENTEC</b>			
TITLE <i>PS10S</i> Kill SW & Lid SW			
SIZE <b>A3</b>	CODE <b>CS</b>	DOC. NUMBER Model No	REV <b>X01</b>
CHANGE by <i>IEC951098</i>		31-Jul-2007	
SHEET <b>61</b>		OF <b>63</b>	



**INVENTEC**

TITLE			
PS10S			
SCREW			
SIZE	CODE	DOC. NUMBER	REV
A3	CS	Model No	X01



<b>INVENTEC</b>			
TITLE <b>PS10S</b>			
EMI			
SIZE <b>A3</b>	CODE <b>CS</b>	DOC. NUMBER <i>Model No</i>	REV <b>X01</b>
CHANGE by <i>IECVS1098</i>		L-Nov-2007	
SHEET 1		63 OF 63	