

MANAUS 10AD

A02 Build

2010.03.17

INVENTEC

TITLE
Manaus10AD

SIZE	CODE	DOC. NUMBER	REV
A3	CS	1310A2357401	X01

CHANGE by *Eddy, Chen* 17-Mar-2010

SHEET 1 OF 43

TABLE OF CONTENTS

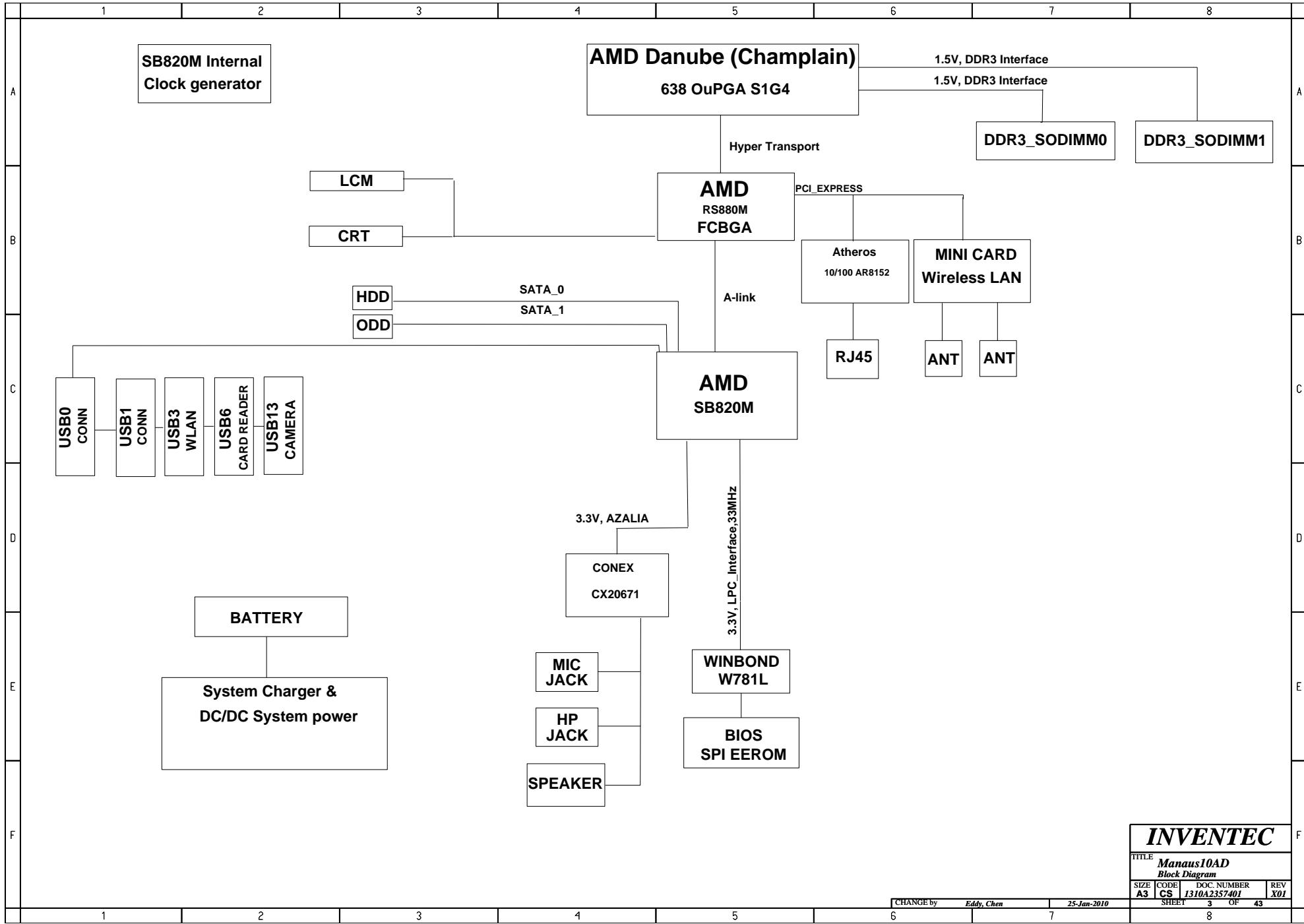
PAGE

- 1. COVER PAGE
- 2. INDEX
- 3. BLOCK DIAGRAM
- 4. POWER SEQUENCE BLOCK
- 5. PCB
- 6. SYSTEM POWER
- 7. SYSTEM POWER
- 8. SYSTEM POWER
- 9. SYSTEM POWER
- 10. SYSTEM POWER
- 11. SYSTEM POWER
- 12. SYSTEM POWER
- 13. SUPER I/O(KBC)
- 14. K/B & TP/B CONN
- 15. FAN & THERMAL
- 16. LAN
- 17. RJ45 & TRANSFORMER
- 18. AUDIO CODEC
- 19. SPDIF & MIC & HP
- 20. CARD READER
- 21. LCM
- 22. RGB CONN
- 23. SATA HDD & ODD
- 24. USB
- 25. WLAN
- 26. LID SW
- 27. LED
- 28. DDR2 DIMM0
- 29. DDR2 DIMM1
- 30. CPU 1

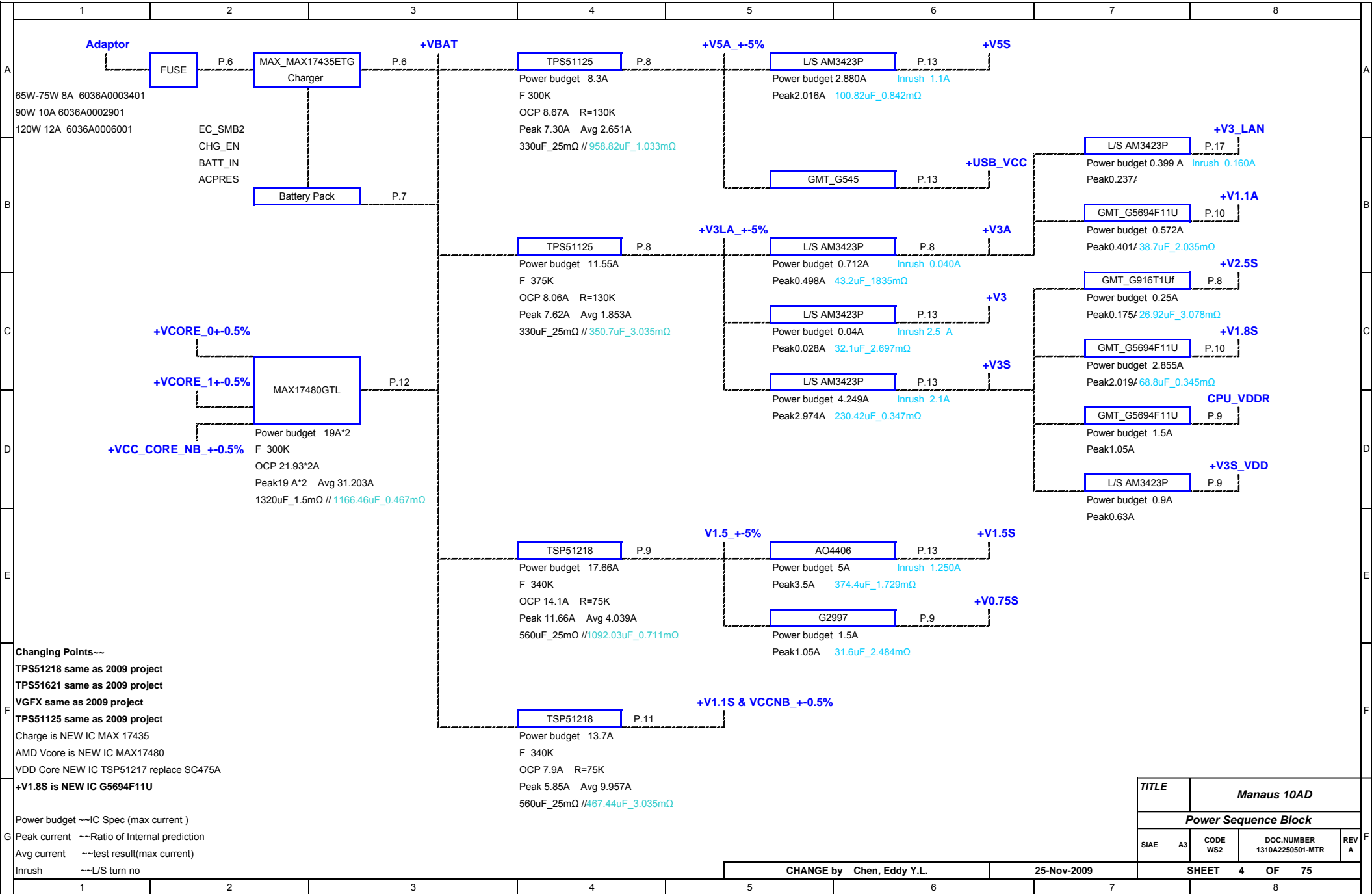
PAGE

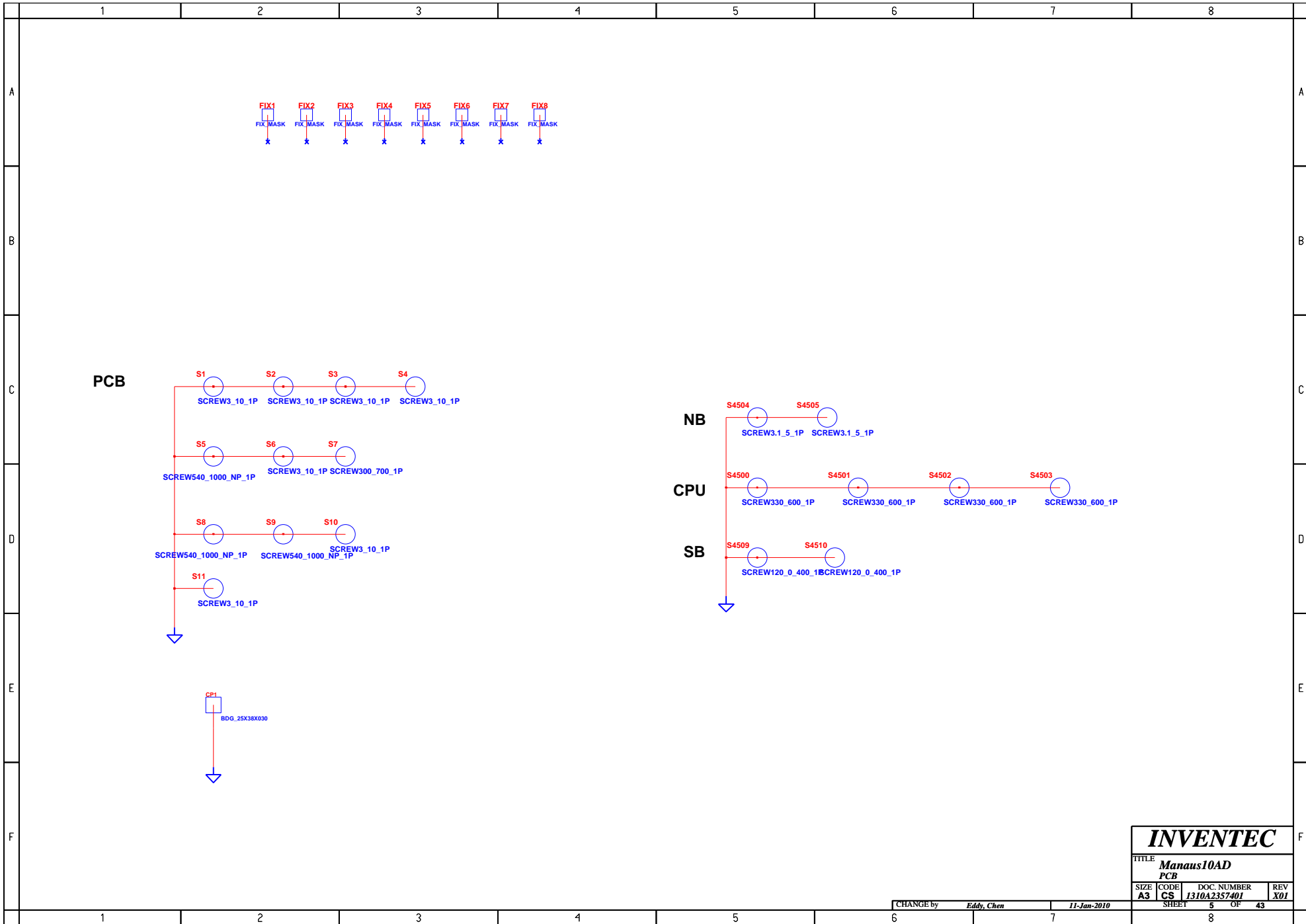
- 31. CPU 2
- 32. CPU 3
- 33. CPU 4
- 34. N/B 1
- 35. N/B 2
- 36. N/B 3
- 37. N/B 4
- 38. S/B 1
- 39. S/B 2
- 40. S/B 3
- 41. S/B 4
- 42. EMI
- 43. POWER BOARD (DB)

INVENTEC			
<small>TITLE</small> Manaus10AD			
<small>Index</small>			
<small>SIZE</small> A3	<small>CODE</small> CS	<small>DOC. NUMBER</small> 1310A2357401	<small>REV</small> X01
<small>CHANGE by</small> <i>Eddy, Chen</i>		<small>25-Jan-2010</small>	
<small>SHEET</small> 2		<small>OF</small> 43	

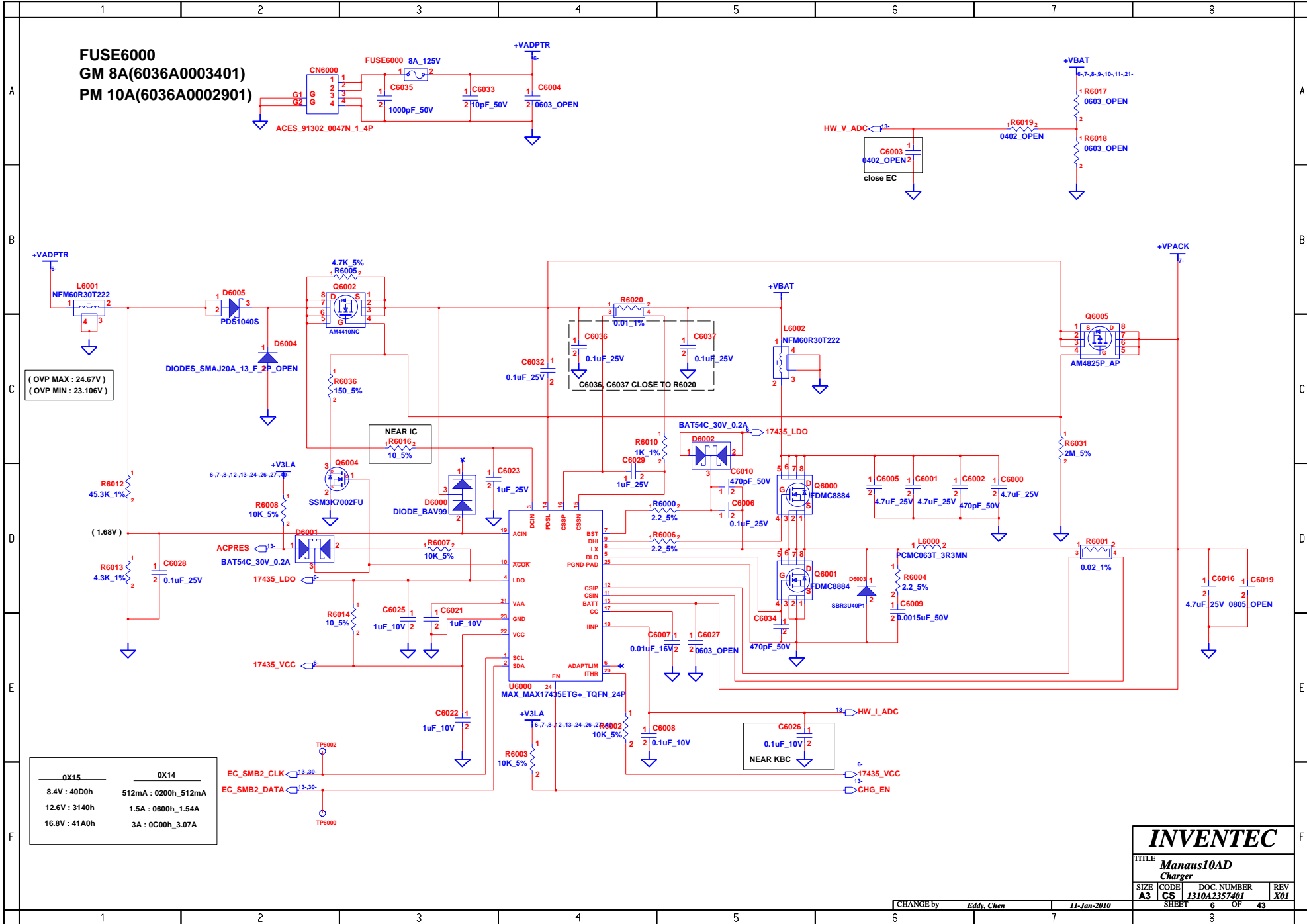


INVENTEC			
TITLE Manus10AD			
Block Diagram			
SIZE	CODE	DOC. NUMBER	REV
A3	CS	1310A2357401	X01
CHANGE by <i>Eddy, Chen</i> 25-Jan-2010			SHEET 3 OF 43





INVENTEC			
TITLE Manaus10AD			
PCB			
SIZE	CODE	DOC. NUMBER	REV
A3	CS	1310A2357401	X01
CHANGE by <i>Eddy, Chen</i>		11-Jan-2010	
SHEET		5	OF 43
		8	



FUSE6000
GM 8A(6036A0003401)
PM 10A(6036A0002901)

(OVP MAX : 24.67V)
(OVP MIN : 23.106V)

0X15	0X14
8.4V : 40D0h	512mA : 0200h_512mA
12.6V : 3140h	1.5A : 0600h_1.54A
16.8V : 41A0h	3A : 0C00h_3.07A

INVENTEC

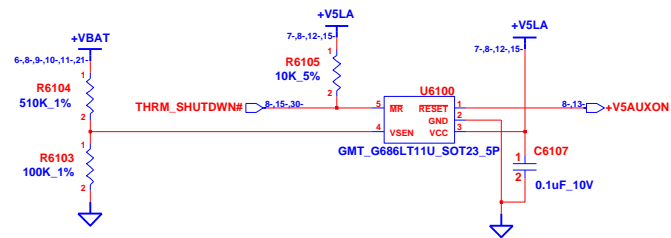
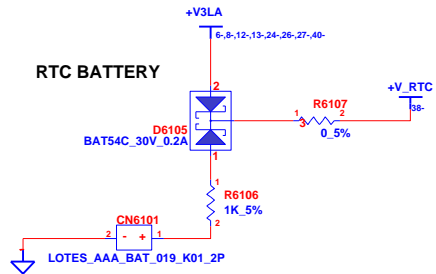
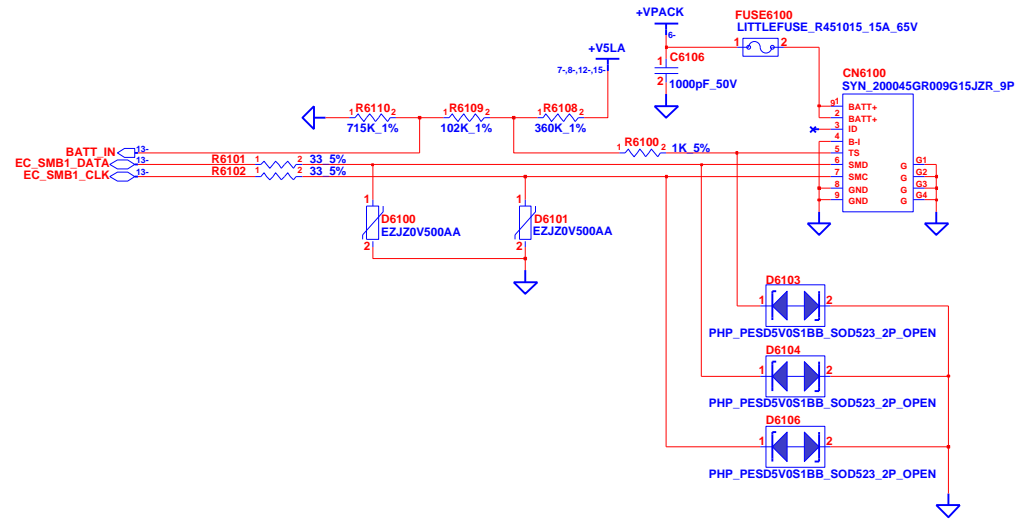
TITLE
Mana10AD
Charger

SIZE	CODE	DOC. NUMBER	REV
A3	CS	1310A2357401	X01

CHANGE by *Eddy, Chen*

11-Jan-2010

SHEET 6 OF 43

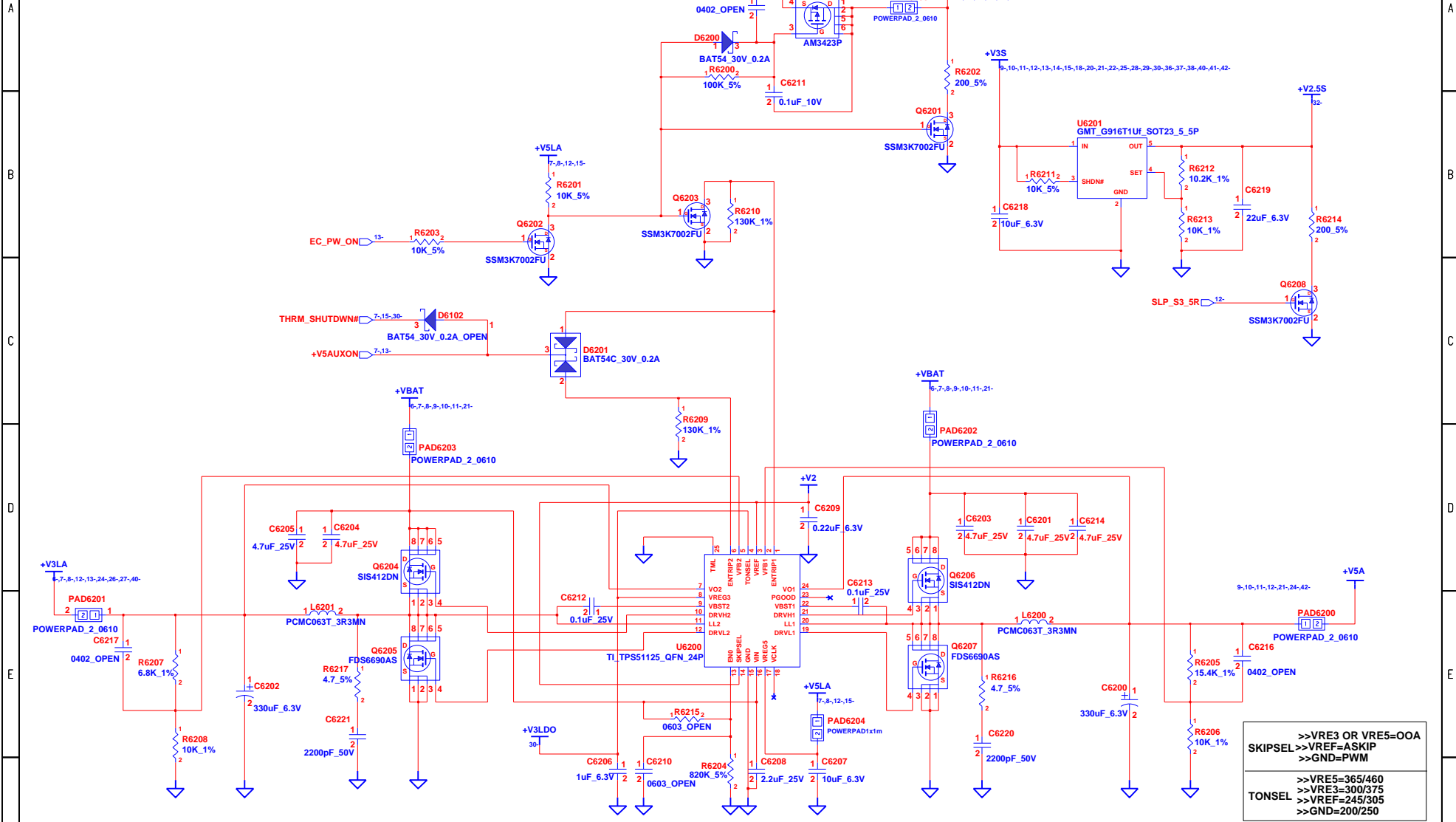


INVENTEC

TITLE			
Manaus10AD			
Battery, Reset IC			
SIZE	CODE	DOC NUMBER	REV
A3	CS	1310A2357401	X01
CHANGE by		SHEET	OF
Eddy, Chen		7	43

11-Jan-2010

+V3LA +V3A +V5A +V2.5S



>>VRE3 OR VRE5=OOA
 SKIPSEL>>VREF=ASKIP
 >>GND=PWM

 >>VRE5=365/460
 >>VRE3=300/375
 TONSEL >>VREF=245/305
 >>GND=200/250

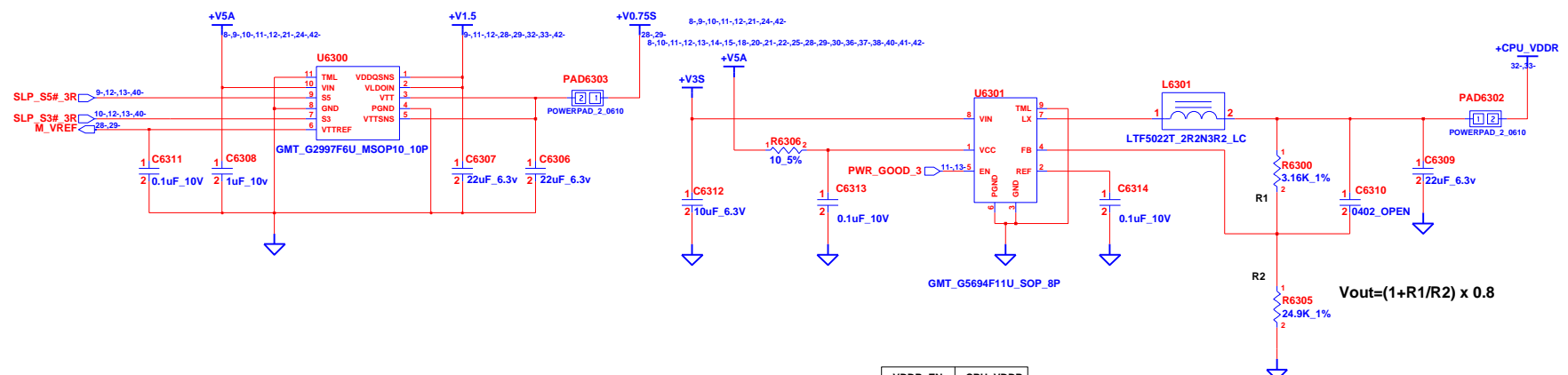
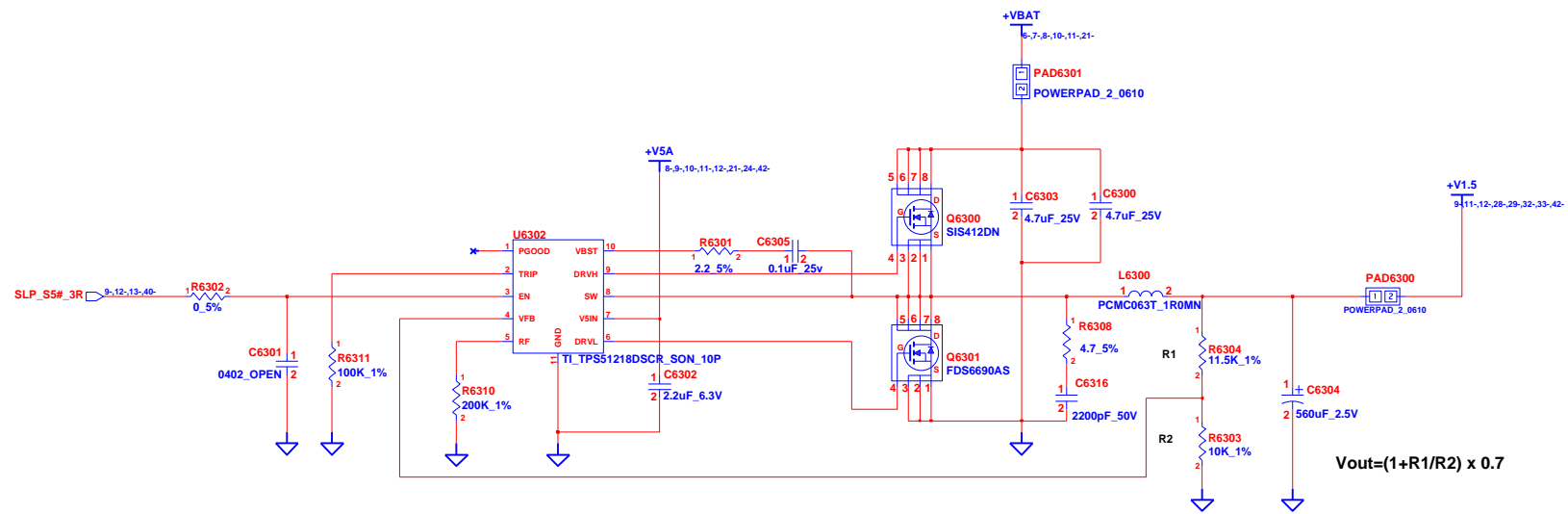
INVENTEC

TITLE			
Manaus10AD			
+V3LA, +V3A, +V5A, +V2.5S			
SIZE	CODE	DOC NUMBER	REV
A3	CS	1310A2357401	X01

CHANGE by Eddy, Chen 11-Jan-2010

SHEET 8 OF 43

+CPU_VDDR +V0.75 +V1.5



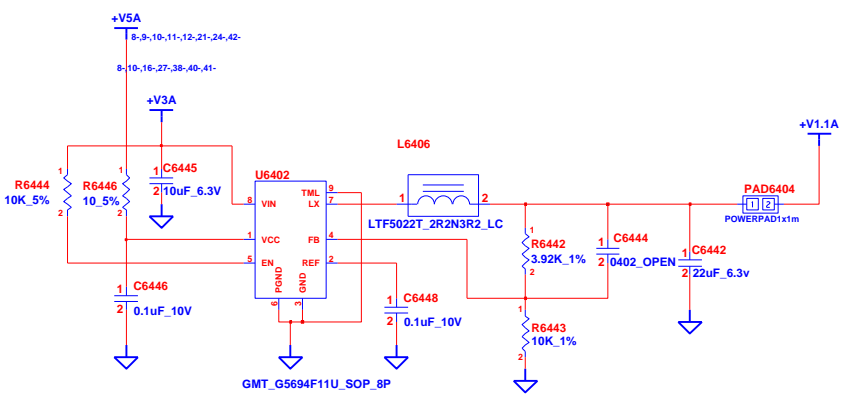
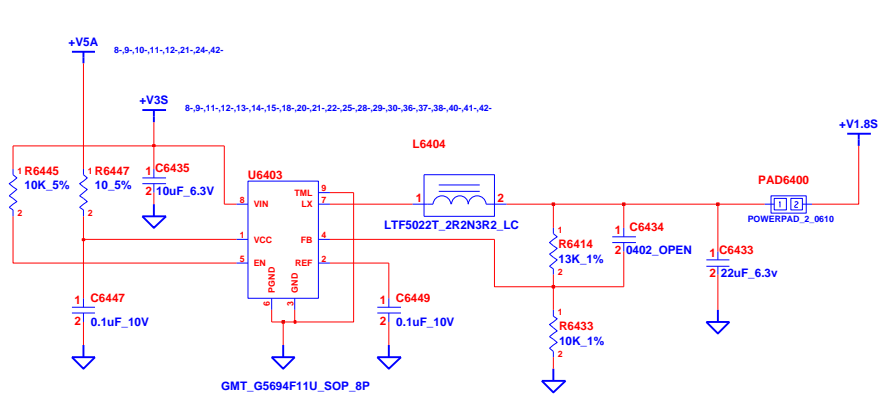
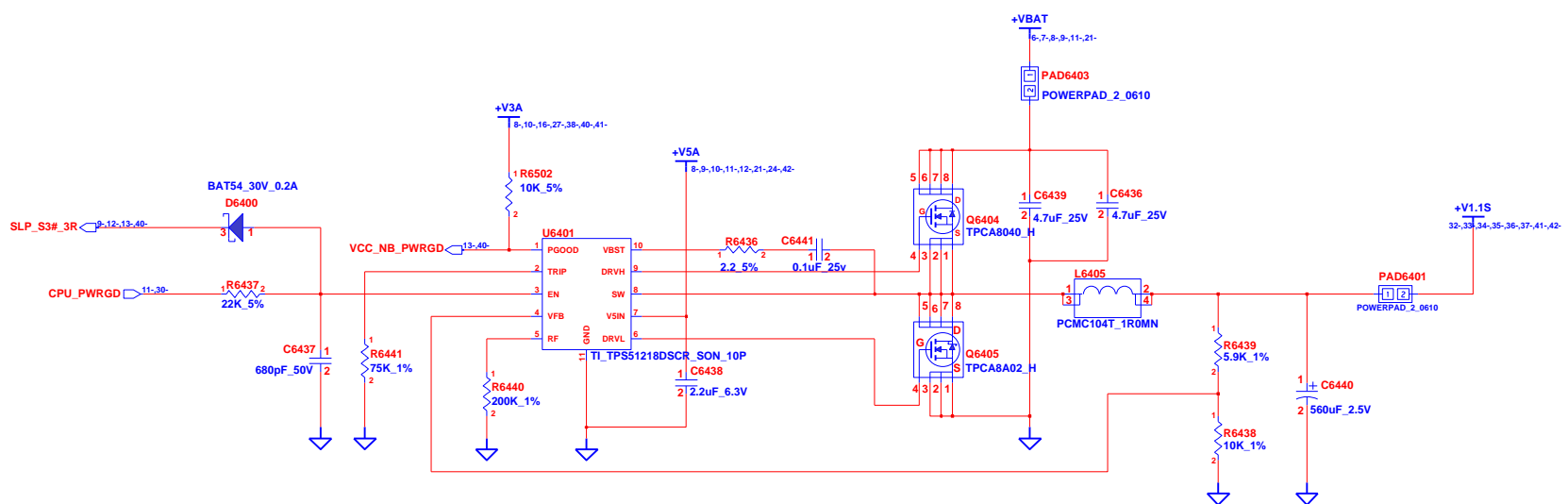
VDDR_EN	+CPU_VDDR
0	0.9V
1	1.05V

INVENTEC

TITLE
Manaus10AD
+CPU_VDDR, +V0.75, +V1.5

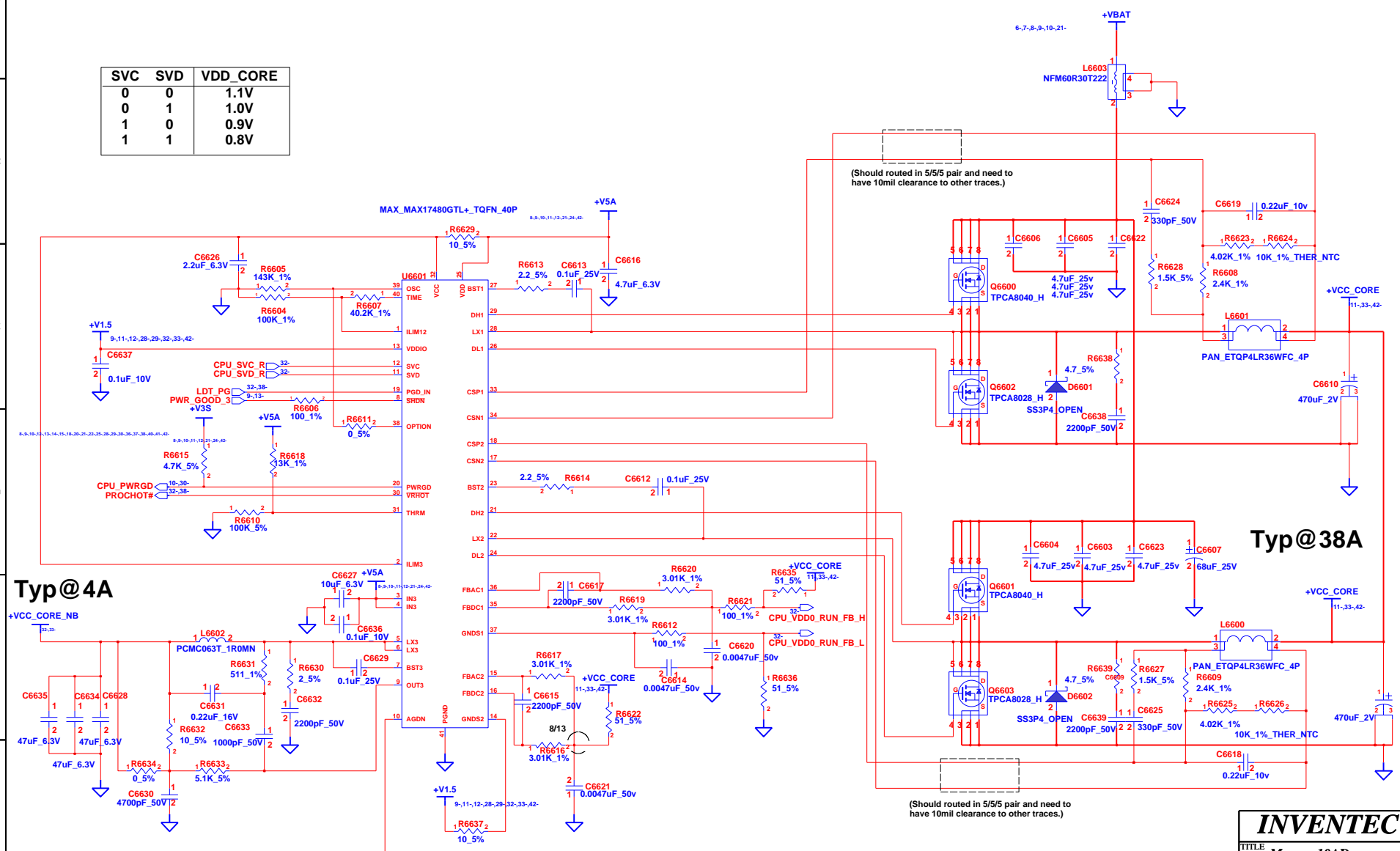
SIZE A3	CODE CS	DOC NUMBER 1310A2357401	REV X01
SHEET 9		OF 43	

+V1.1A +V1.1S +V1.8S



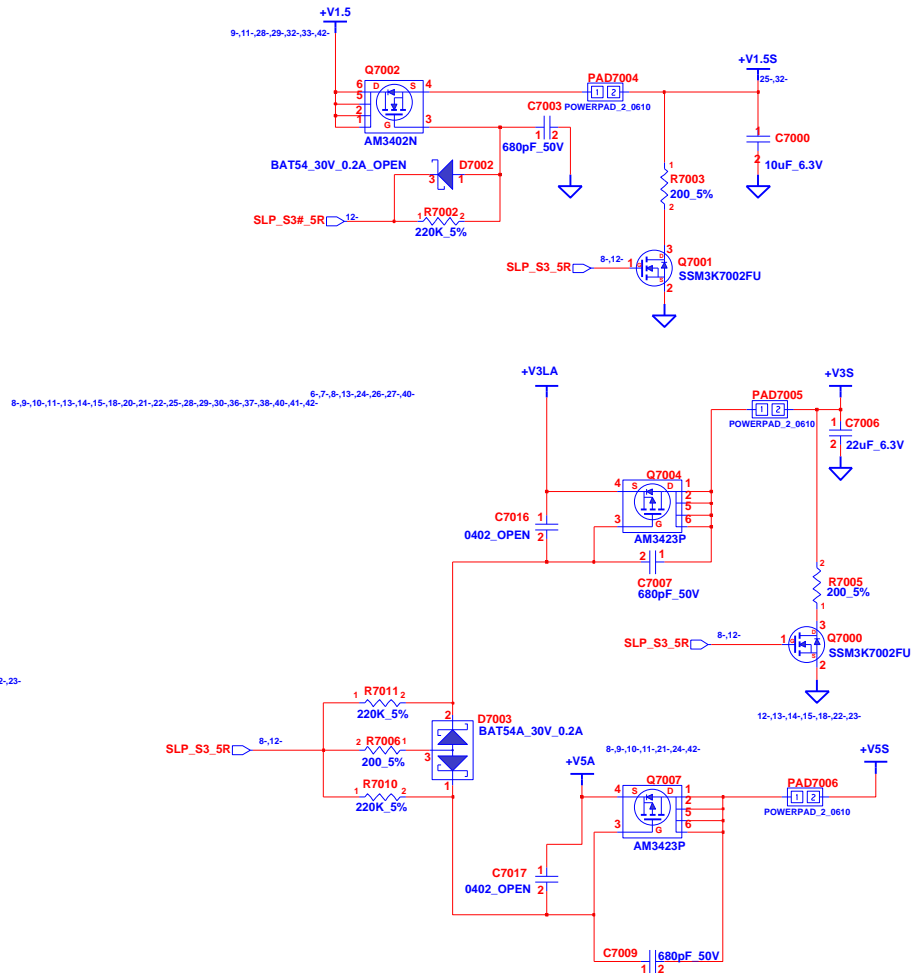
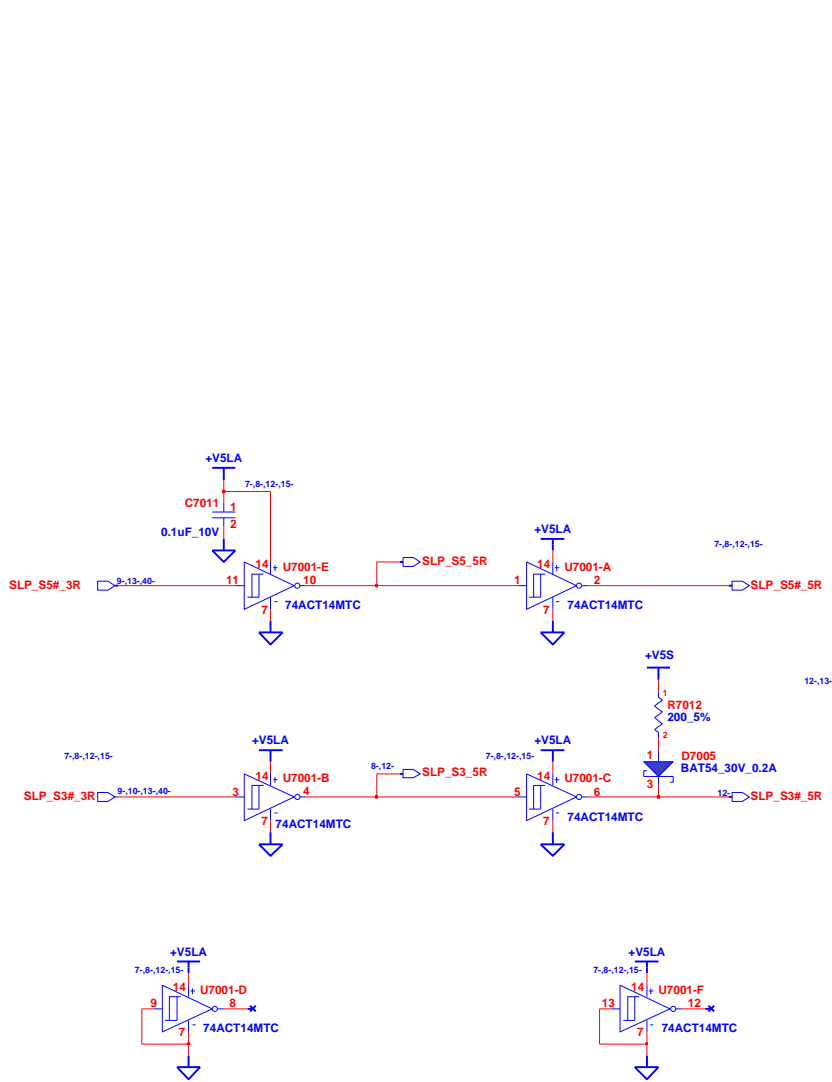
INVENTEC			
TITLE Manaus10AD			
+V1.1A, +V1.1S, +V1.8S			
SIZE A3	CODE CS	DOC NUMBER 1310A2357401	REV X01
CHANGE by <i>Eddy, Chen</i>		11-Jan-2010	
SHEET 10		OF 43	

SVC	SVD	VDD_CORE
0	0	1.1V
0	1	1.0V
1	0	0.9V
1	1	0.8V

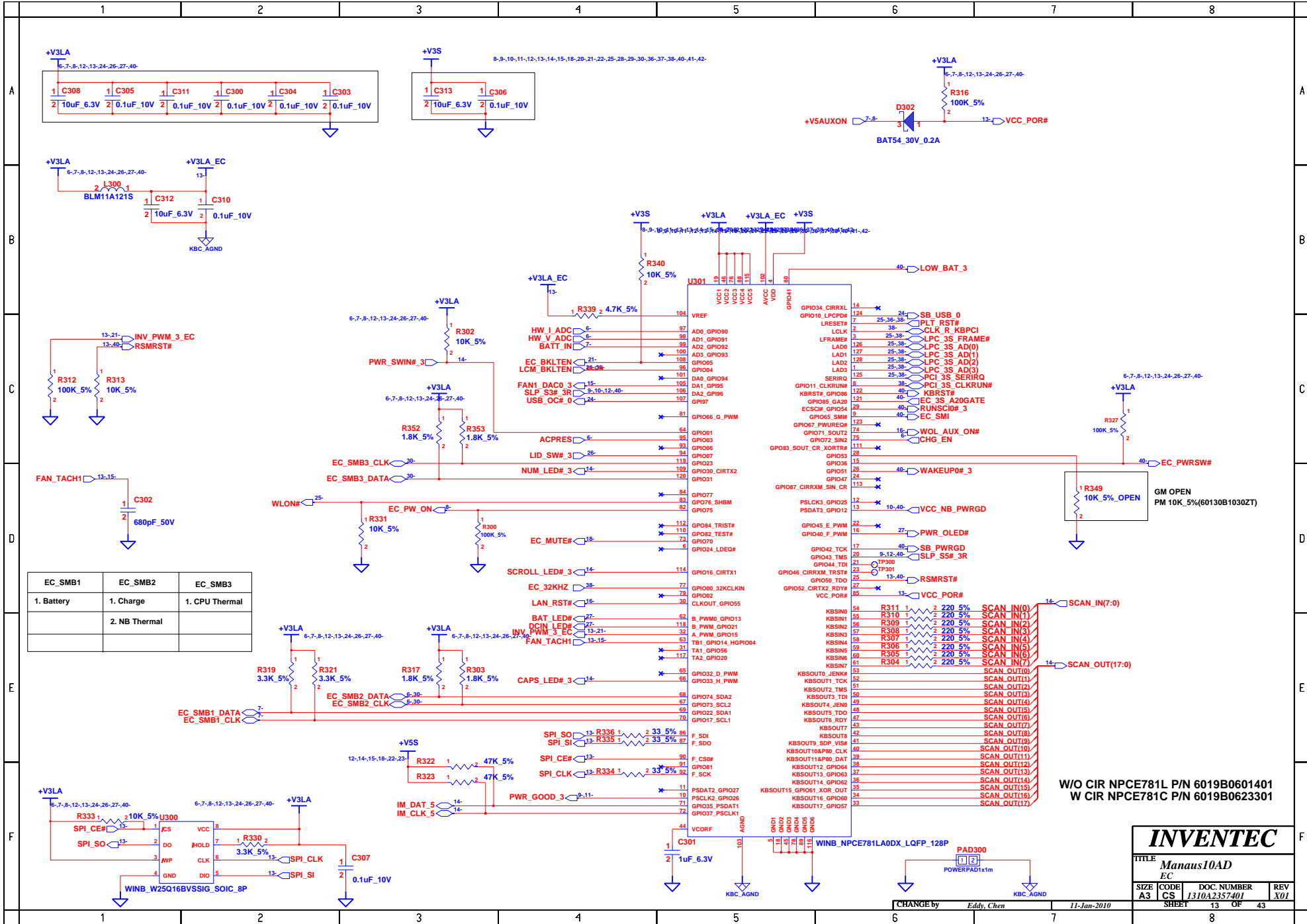


INVENTEC			
TITLE Manaus10AD			
+VCC_CORE, +VCC_CORE_NB			
SIZE A3	CODE CS	DOC NUMBER 1310A2337401	REV X01
CHANGE by <i>Eddy, Chen</i>		11-Jan-2010	
SHEET 11		OF 43	

+V5S +V3S +V1.5S



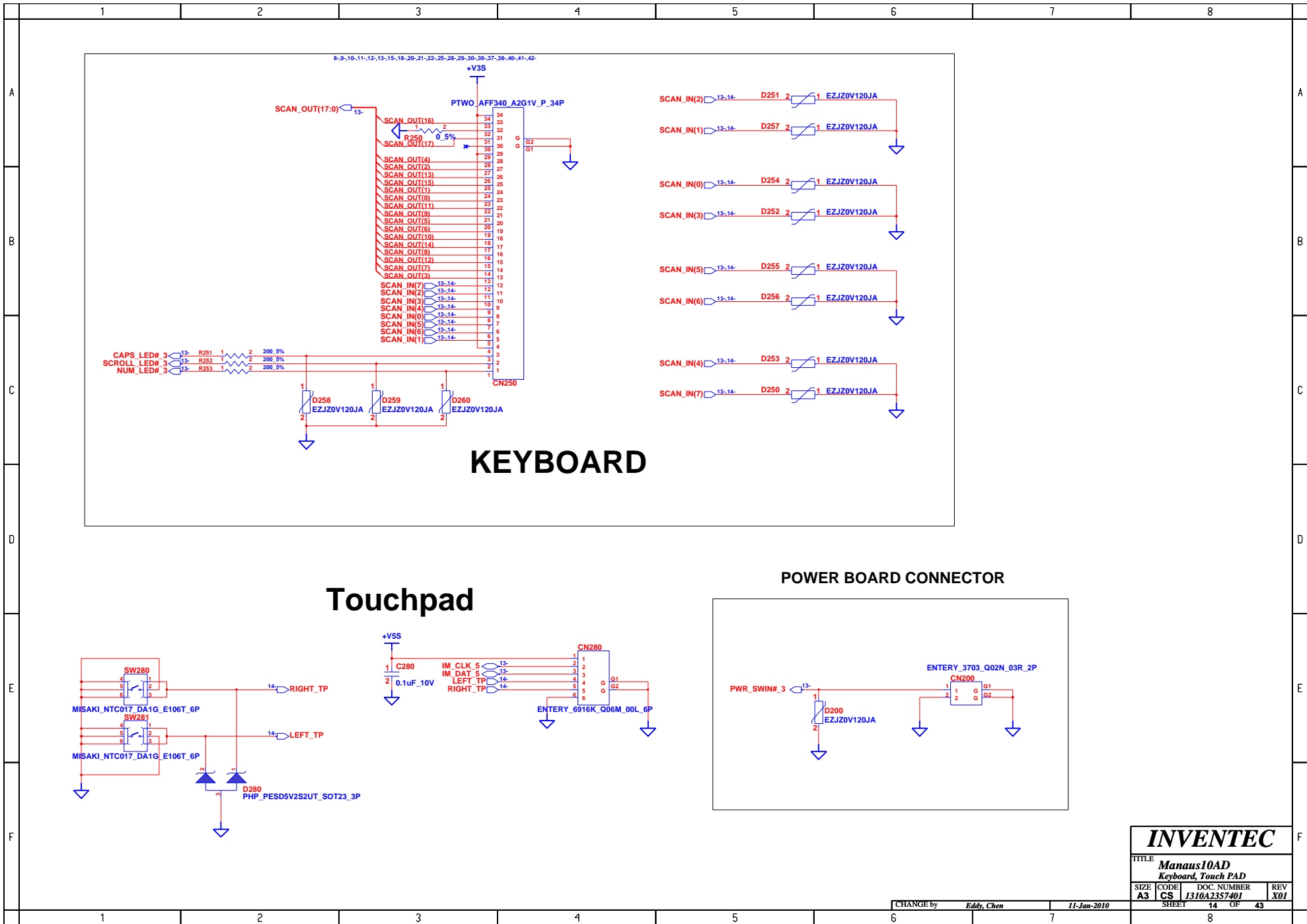
INVENTEC			
TITLE Manaus10AD			
+V3 +V5S +V3S +V1.5S			
SIZE A3	CODE CS	DOC NUMBER 1310A2357401	REV X01
CHANGE by Eddy, Chen		11-Jan-2010	
SHEET 12		OF 43	



EC_SMB1	EC_SMB2	EC_SMB3
1. Battery	1. Charge	1. CPU Thermal
	2. NB Thermal	

W/O CIR NPCE781L P/N 6019B0601401
 W CIR NPCE781C P/N 6019B0623301

INVENTEC			
TITLE <i>Manaus10AD</i>			
EC			
SIZE A3	CODE CS	DOC NUMBER 1310A2357401	REV X01
CHANGE by Eddy, Chen		11-Jan-2010	
SHEET		13	OF 43



KEYBOARD

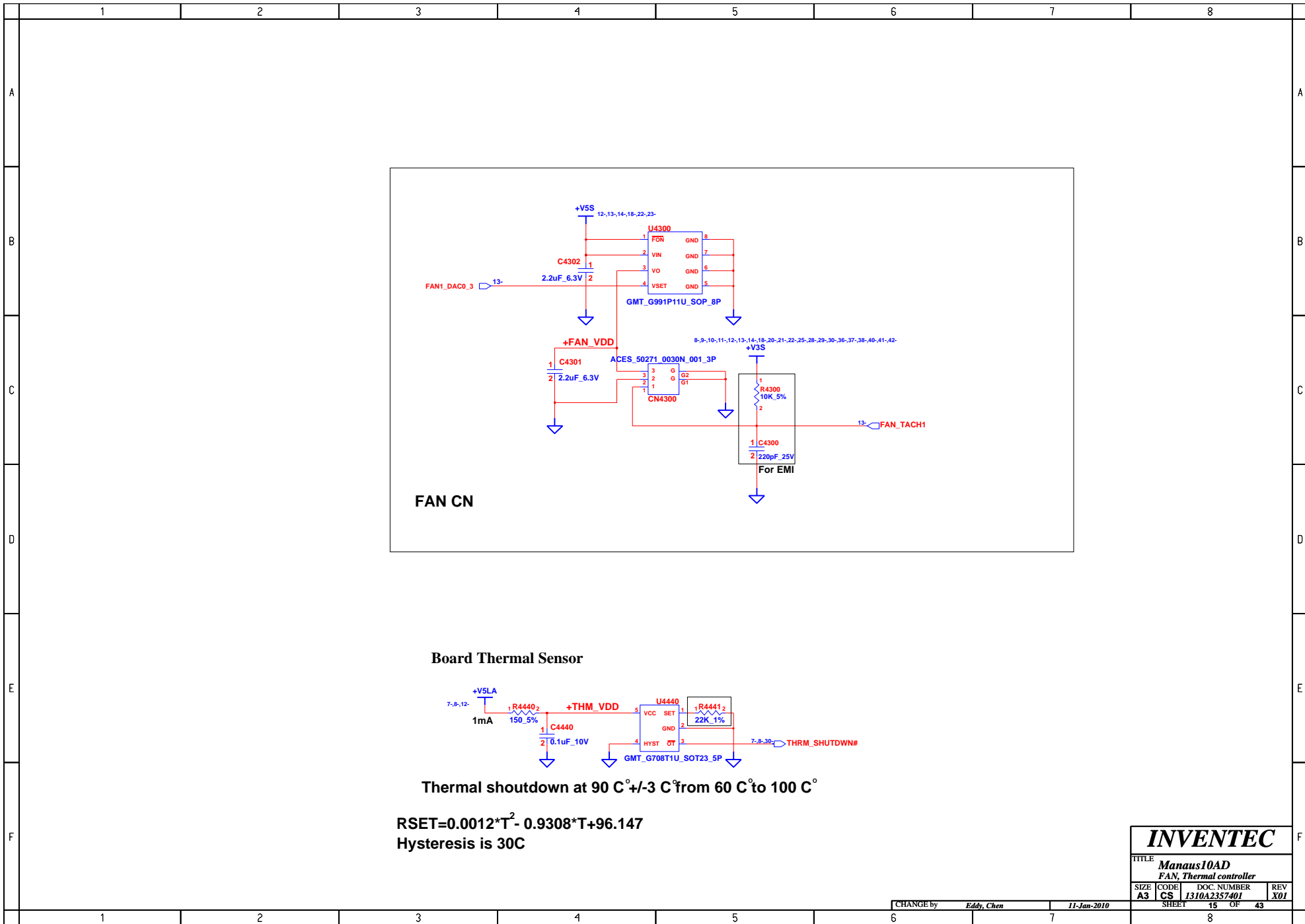
Touchpad

POWER BOARD CONNECTOR

INVENTEC

TITLE			
Manaus10AD Keyboard, Touch PAD			
SIZE	CODE	DOC. NUMBER	REV
A3	CS	1310A2337401	X01
SHEET		14	OF 43

CHANGE by Eddy, Chen 11-Jan-2010



FAN CN

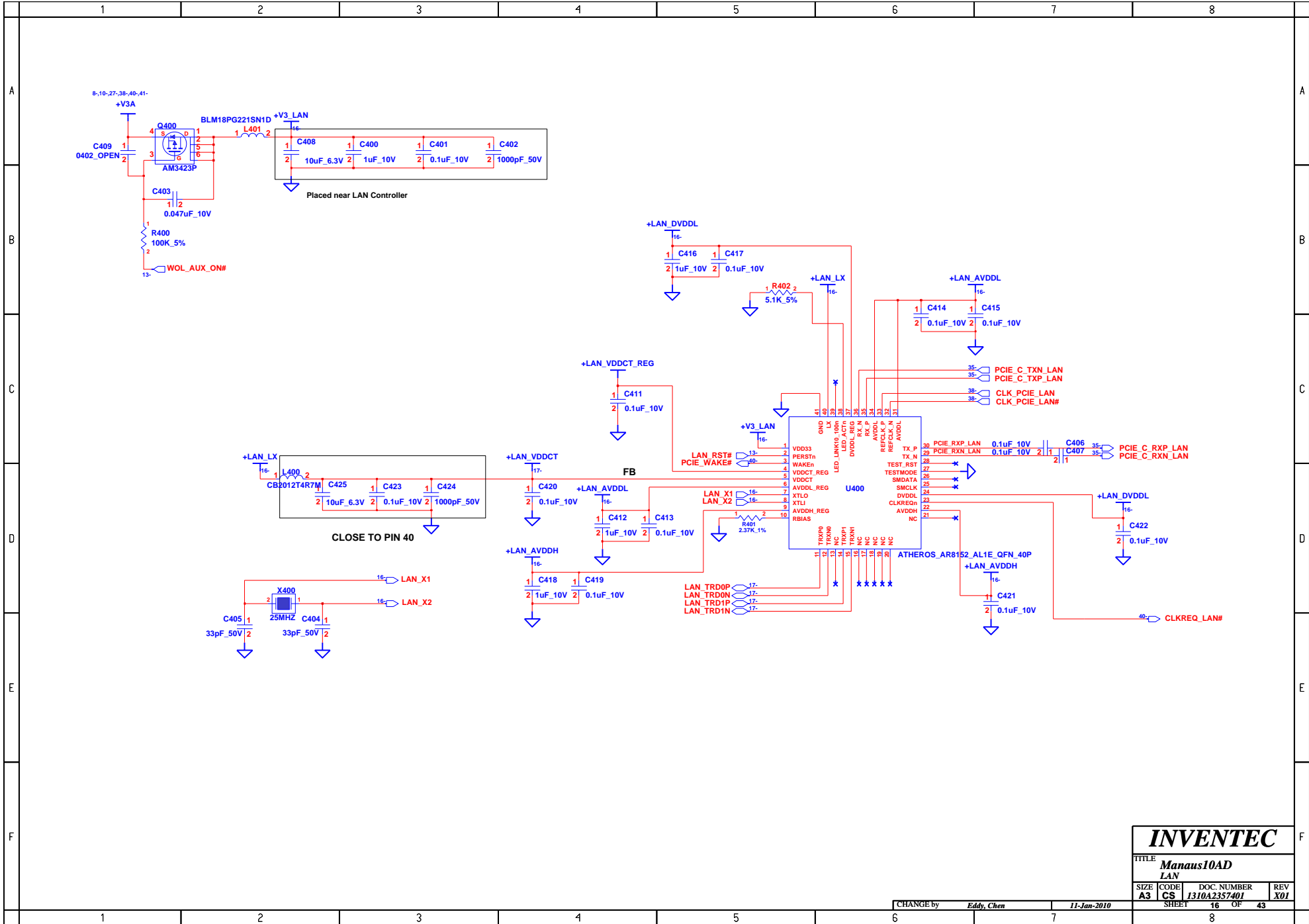
Board Thermal Sensor

Thermal shutdown at 90 C° +/-3 C° from 60 C° to 100 C°

$$RSET=0.0012*T^2 - 0.9308*T+96.147$$

Hysteresis is 30C

INVENTEC			
TITLE Manaus10AD FAN, Thermal controller			
SIZE A3	CODE CS	DOC. NUMBER 1310A2357401	REV X01
CHANGE by <i>Eddy, Chen</i>		11-Jan-2010	
SHEET		15	OF 43

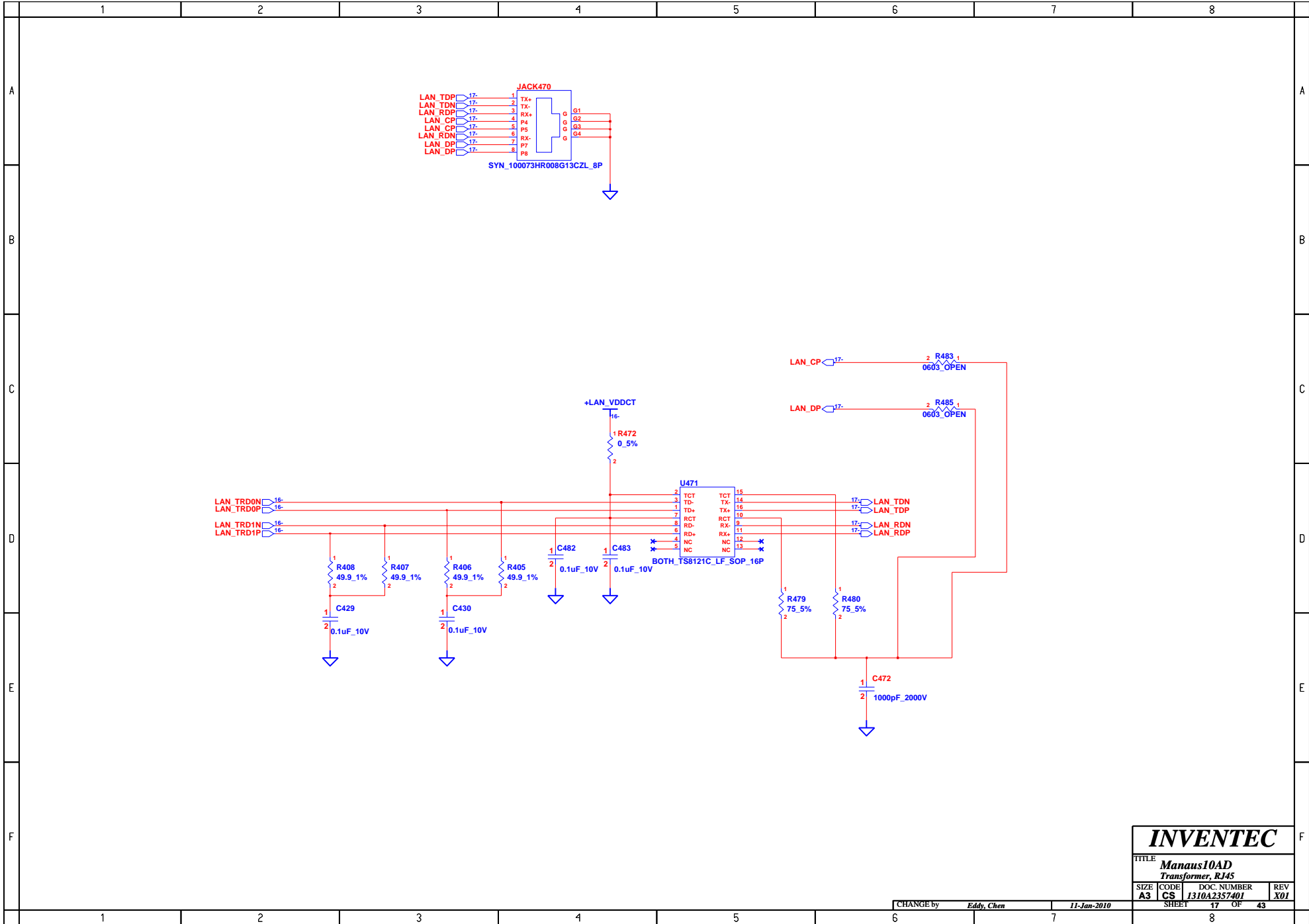


INVENTEC

TITLE
Manaus10AD
LAN

SIZE	CODE	DOC. NUMBER	REV
A3	CS	1310A2357401	X01

CHANGE by	DATE	SHEET	OF	TOTAL
Eddy, Chen	11-Jan-2010	16	OF	43

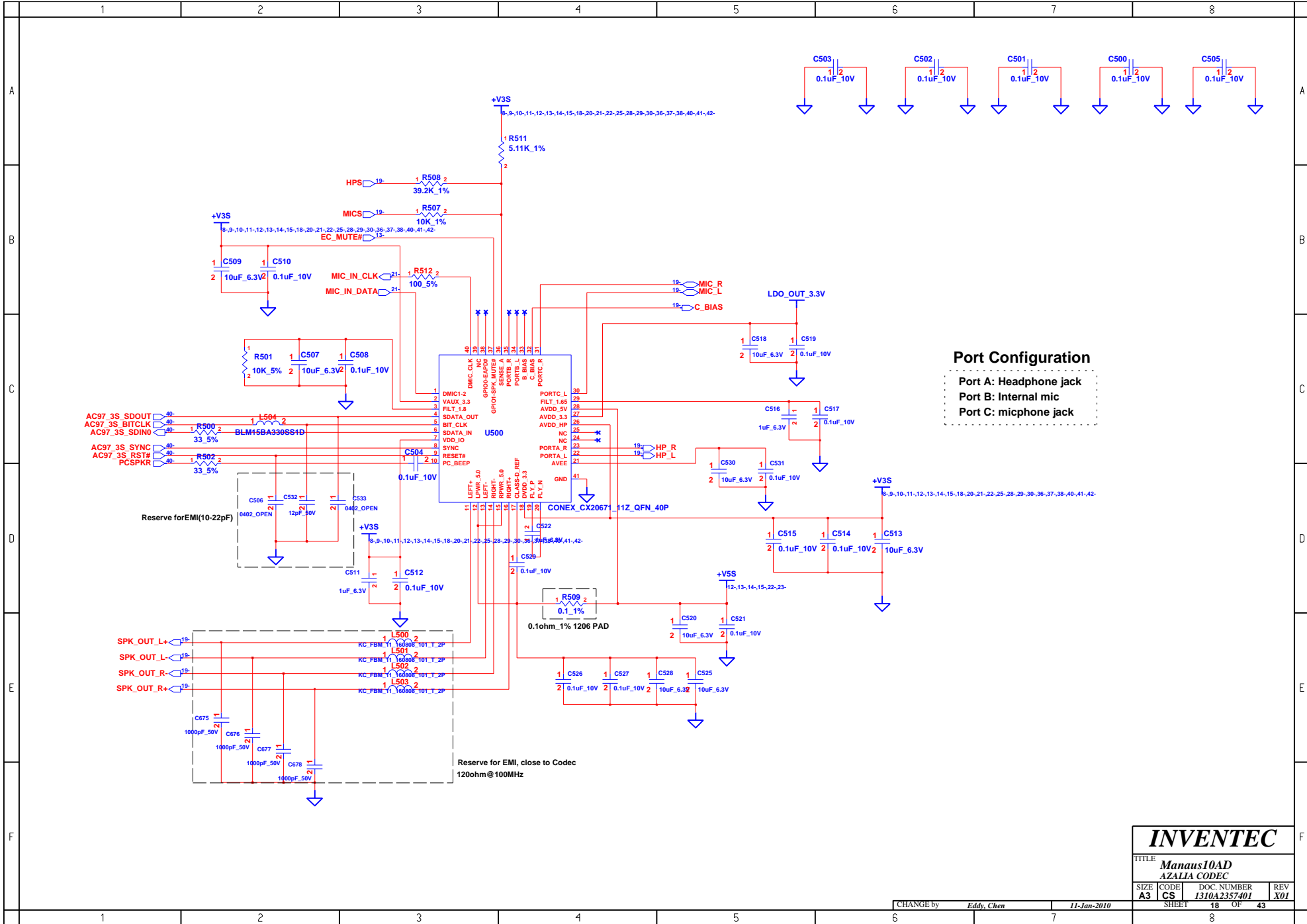


INVENTEC

TITLE
Manaus10AD
 Transformer, RJ45

SIZE A3	CODE CS	DOC. NUMBER 1310A2337401	REV X01
SHEET		17	OF 43

CHANGE by *Eddy, Chen* 11-Jan-2010



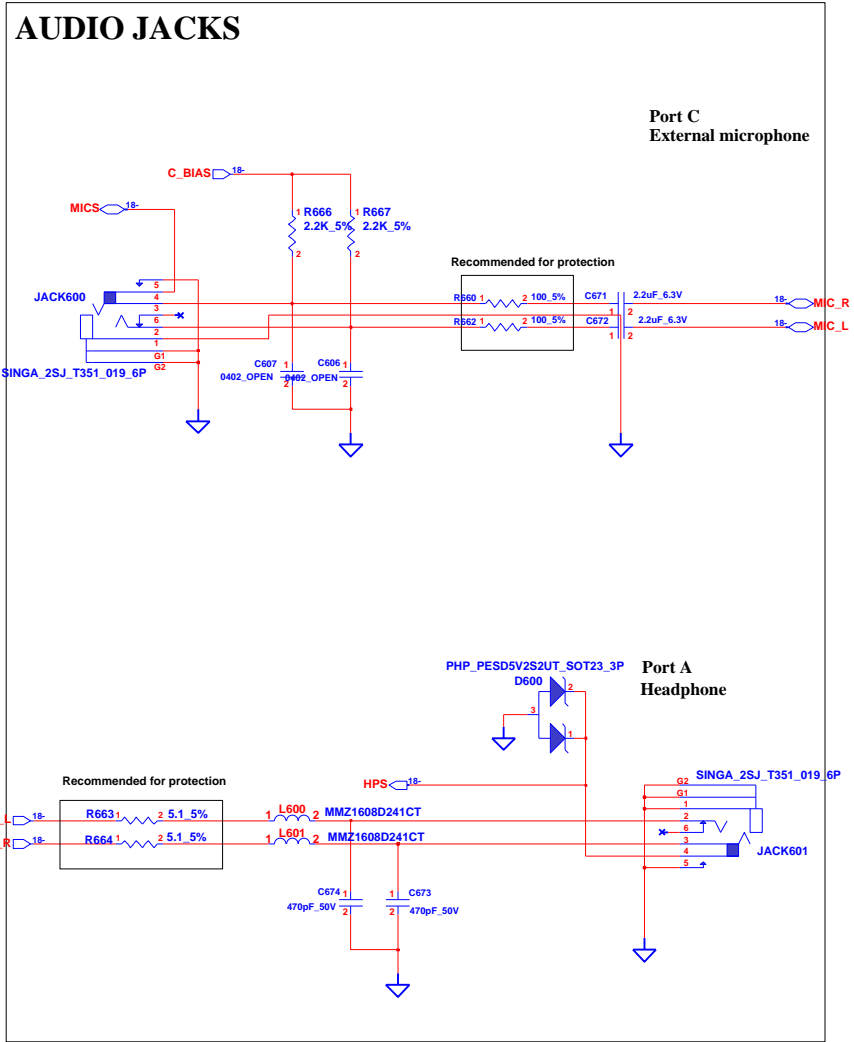
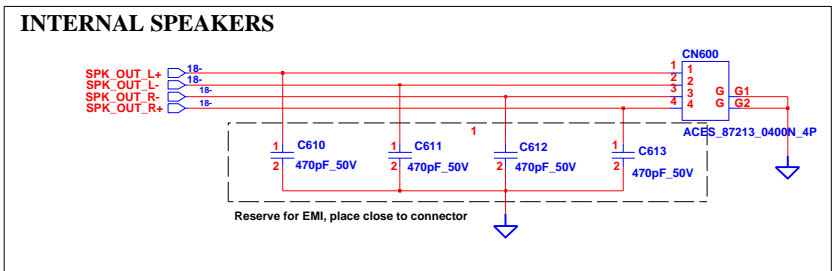
Port Configuration

- Port A: Headphone jack
- Port B: Internal mic
- Port C: microphone jack

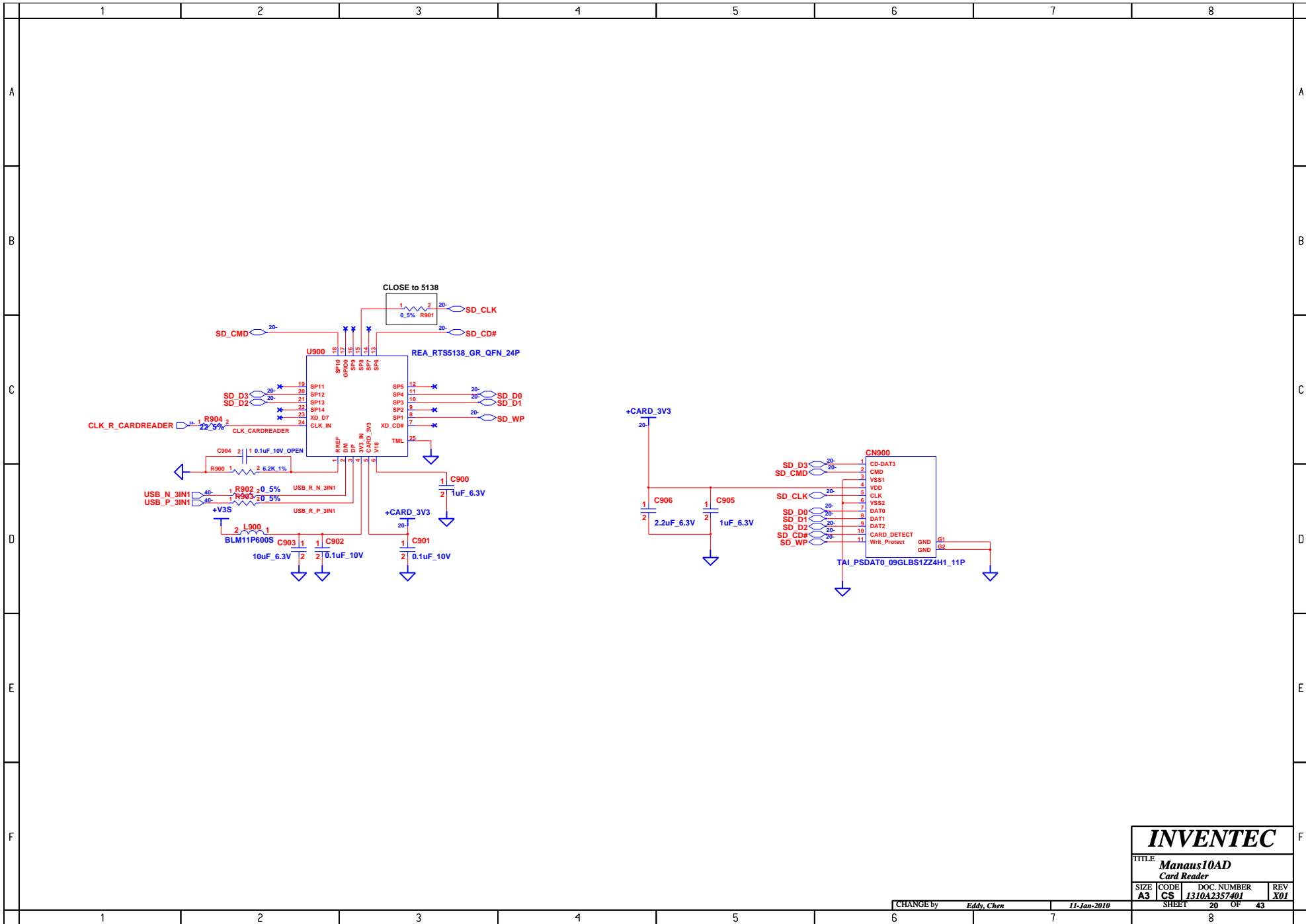
INVENTEC

TITLE
Mana10AD
AZALIA CODEC

SIZE A3	CODE CS	DOC. NUMBER 1310A2357401	REV X01
-------------------	-------------------	------------------------------------	-------------------



INVENTEC			
TITLE <i>Manaus10AD</i> MIC & SPEAKER			
SIZE A3	CODE CS	DOC. NUMBER <i>1310A2357401</i>	REV X01
CHANGE by <i>Eddy, Chen</i>		11-Jan-2010	
SHEET		19 OF 43	

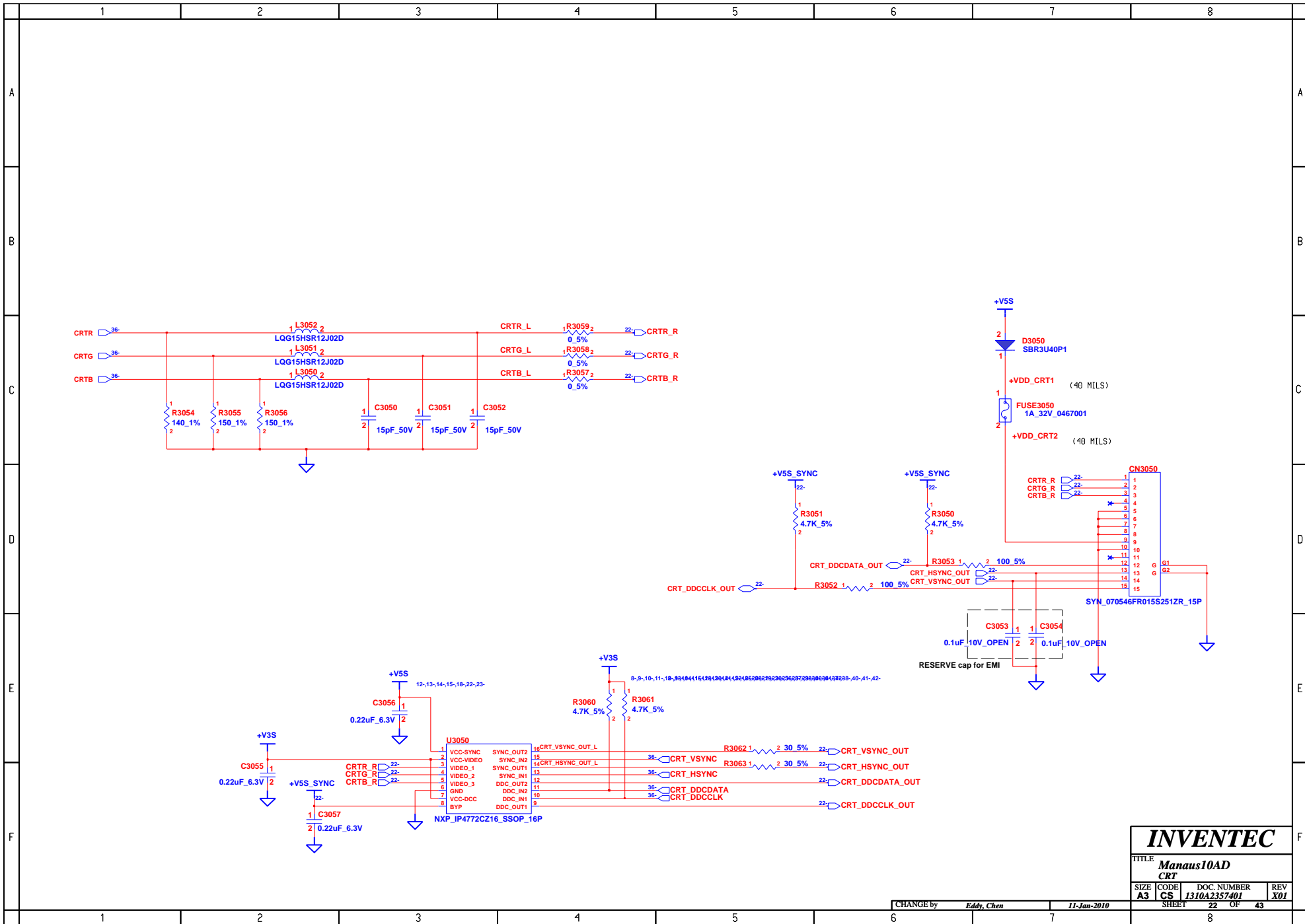


INVENTEC

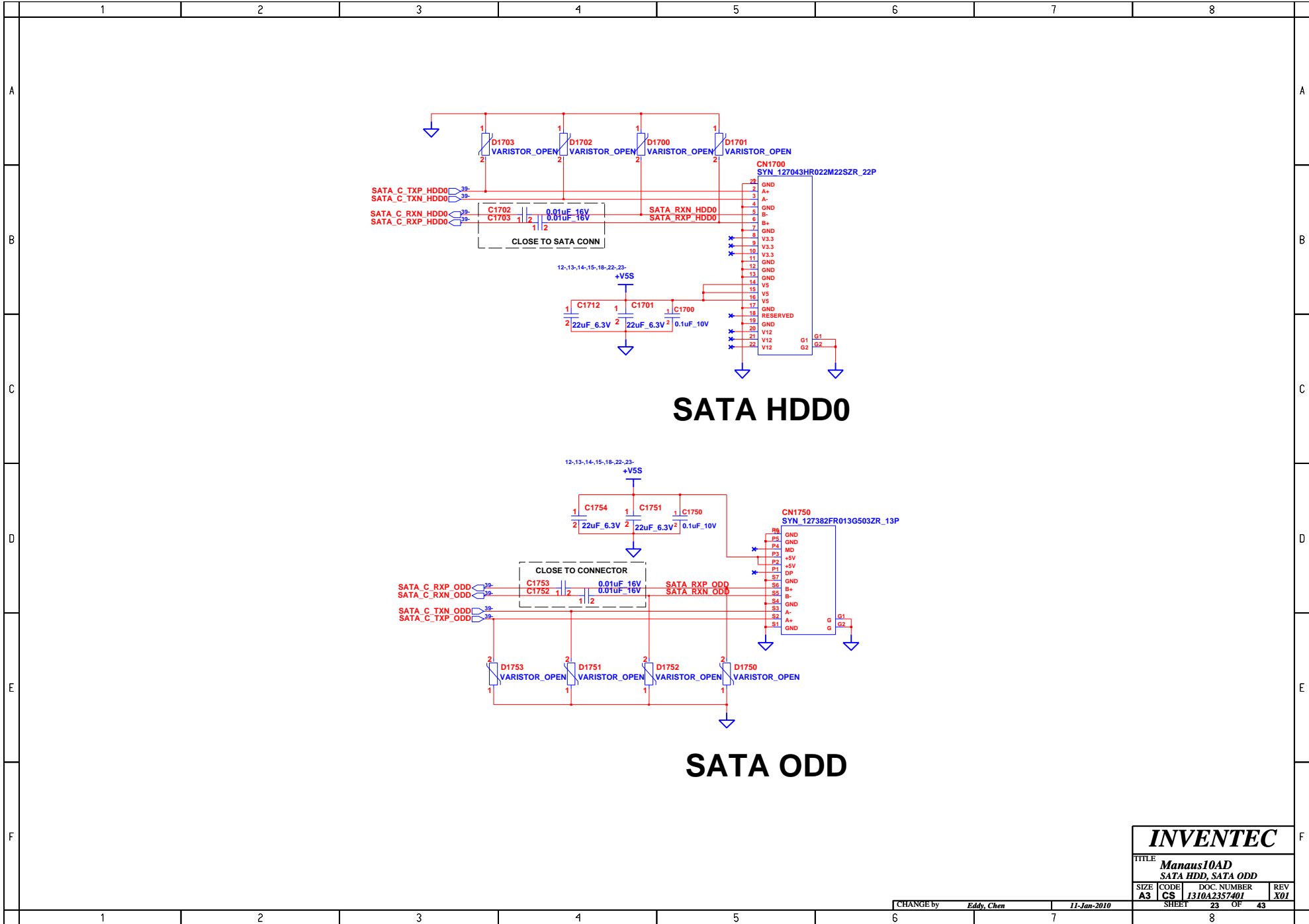
TITLE
Mana10AD
 Card Reader

SIZE A3	CODE CS	DOC. NUMBER 1310A2357401	REV X01
-------------------	-------------------	------------------------------------	-------------------

CHANGE by *Eddy, Chen* 11-Jan-2010



INVENTEC			
TITLE Manaus10AD CRT			
SIZE A3	CODE CS	DOC. NUMBER 1310A2337401	REV X01
CHANGE by <i>Eddy, Chen</i>		11-Jan-2010	
SHEET 22 OF 43		8	



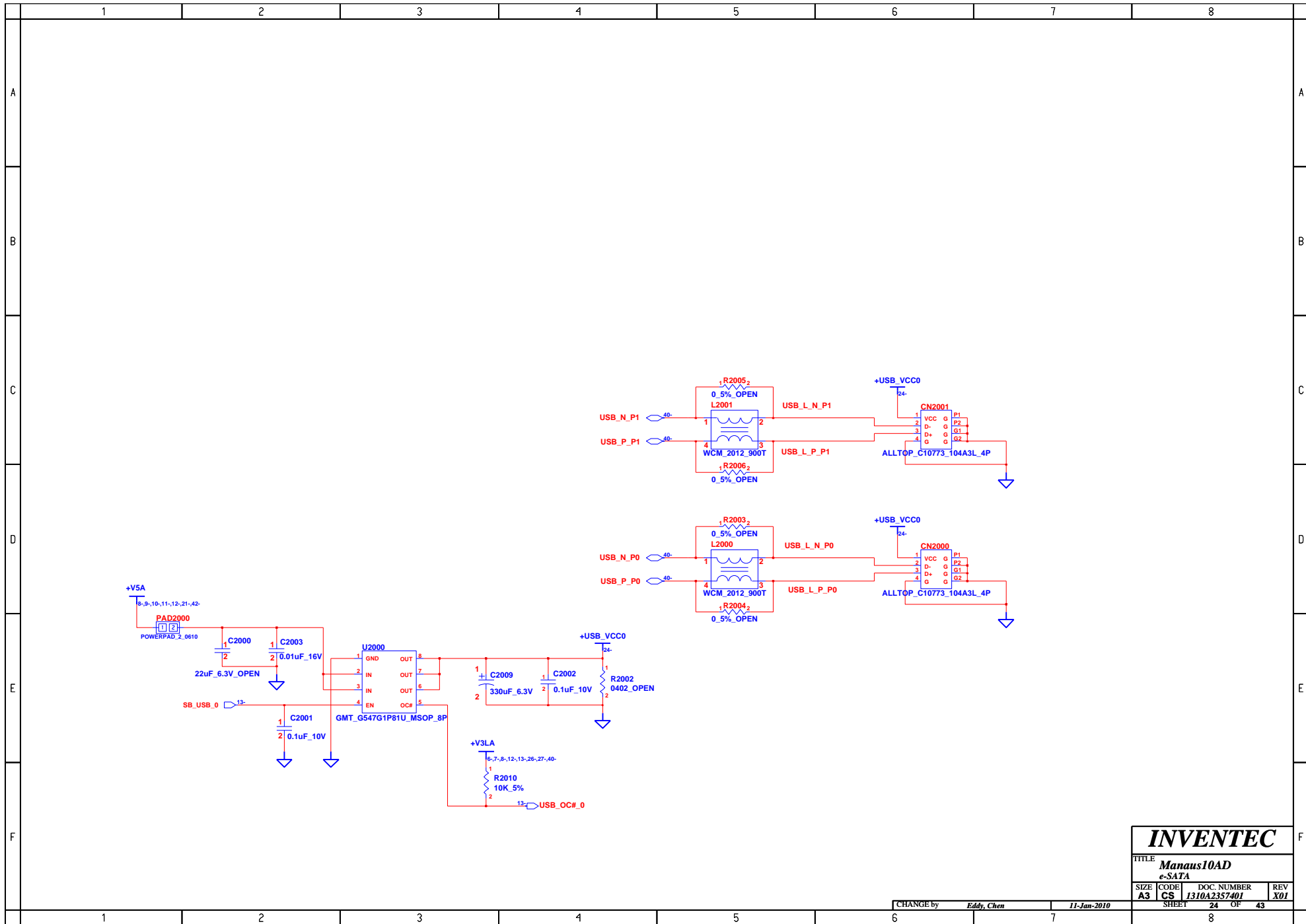
INVENTEC

TITLE
Manaus10AD
SATA HDD, SATA ODD

SIZE A3	CODE CS	DOC. NUMBER 1310A2357401	REV X01
-------------------	-------------------	------------------------------------	-------------------

CHANGE by *Eddy, Chen* 11-Jan-2010

SHEET 23 OF 43

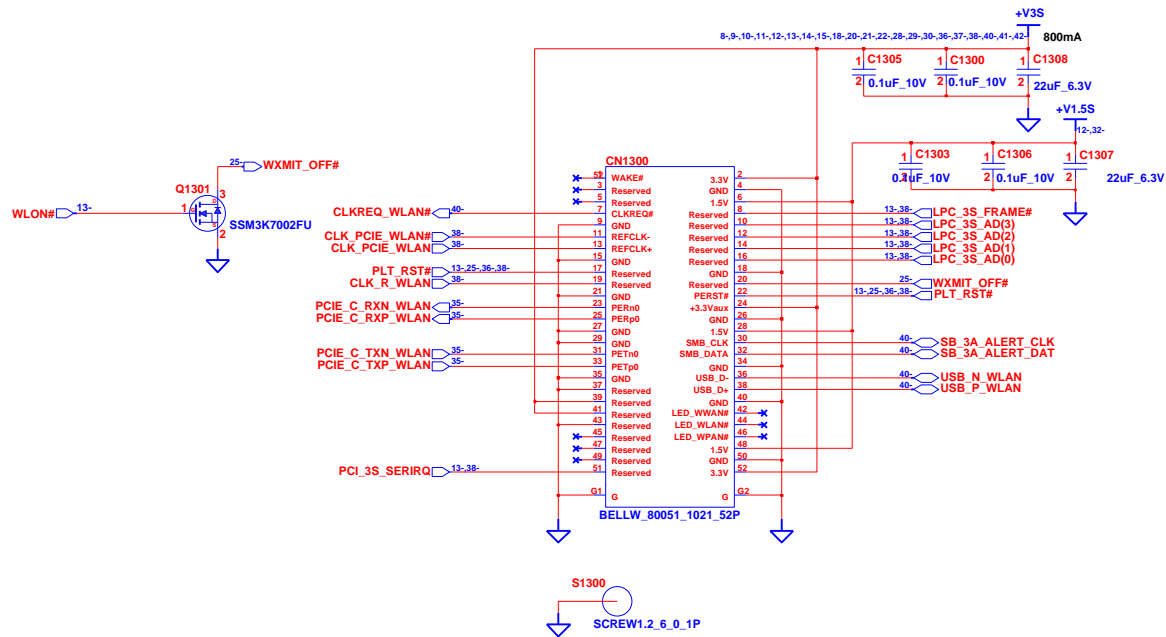


INVENTEC

TITLE			
Manaus10AD			
e-SATA			
SIZE	CODE	DOC. NUMBER	REV
A3	CS	1310A2357401	X01
SHEET		24	OF 43

CHANGE by Eddy, Chen 11-Jan-2010

Wireless & Debug card

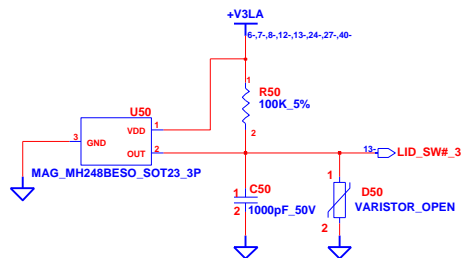


INVENTEC

TITLE			
Manaus10AD			
WLAN			
SIZE	CODE	DOC. NUMBER	REV
A3	CS	1310A2357401	X01
SHEET		25 OF	43

CHANGE by Eddy, Chen 11-Jan-2010

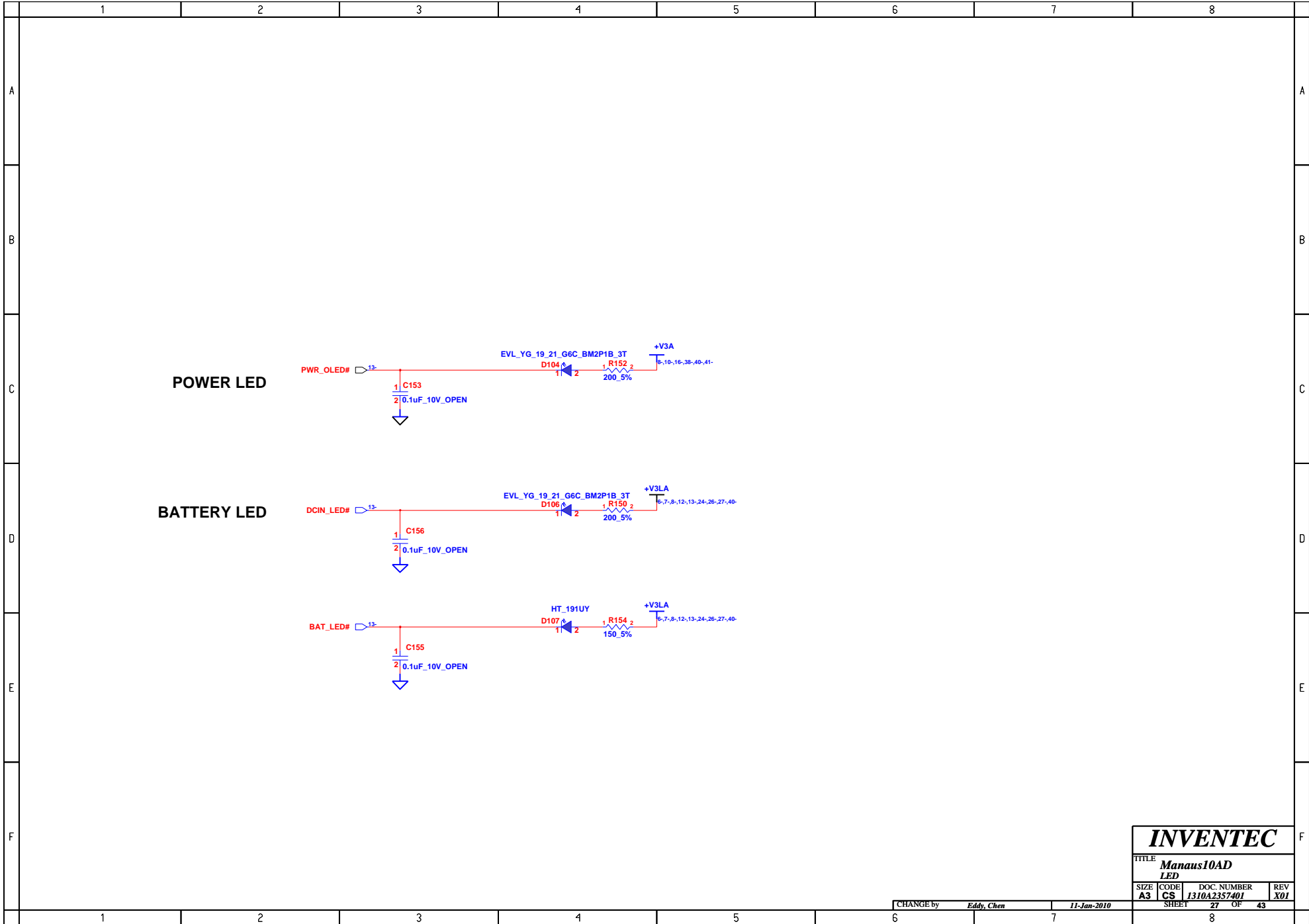
HALL SENSOR



INVENTEC

TITLE			
Manaus10AD			
HALL SENSOR			
SIZE	CODE	DOC. NUMBER	REV
A3	CS	1310A2357401	X01
SHEET		26	OF 43

CHANGE by Eddy, Chen 11-Jan-2010

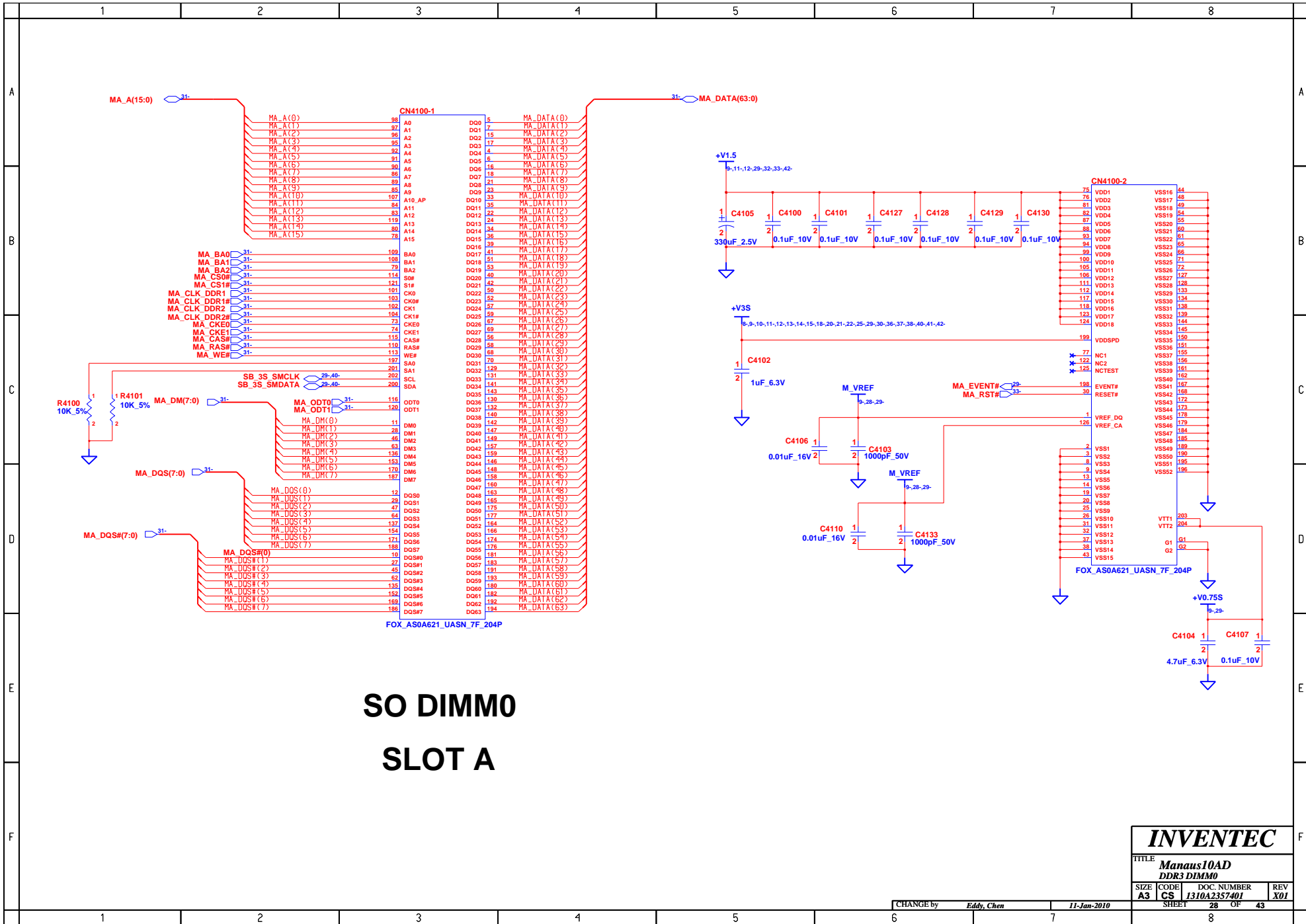


INVENTEC

TITLE **Manaus10AD LED**

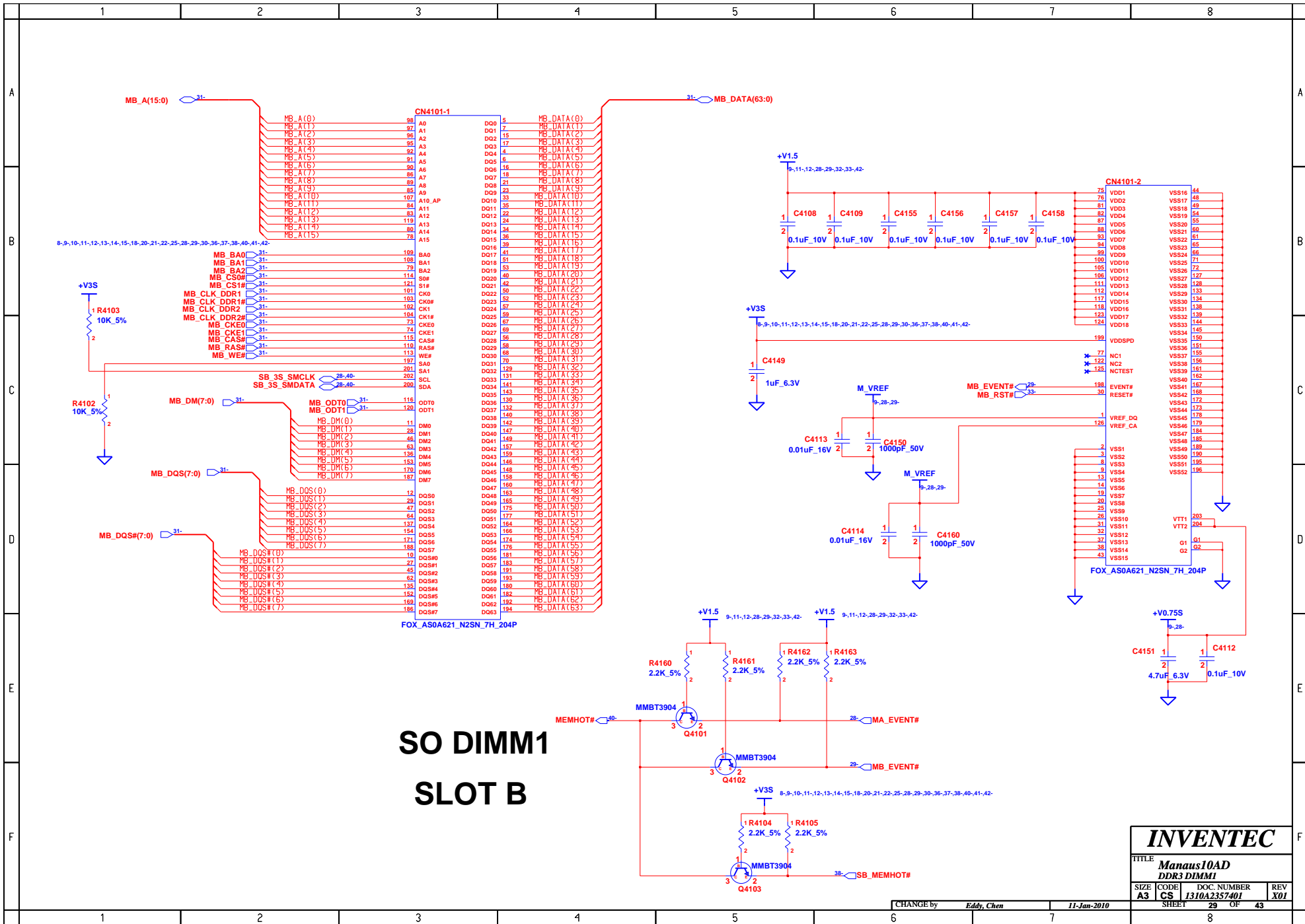
SIZE	CODE	DOC. NUMBER	REV
A3	CS	1310A2357401	X01

CHANGE by	Eddy, Chen	11-Jan-2010	SHEET	27	OF	43
				8		



SO DIMM0 SLOT A

INVENTEC			
TITLE			
Manaus10AD DDR3 DIMM0			
SIZE	CODE	DOC. NUMBER	REV
A3	CS	1310A2357401	X01
CHANGE by		Eddy, Chen	11-Jan-2010
SHEET		28	OF 43



**SO DIMM1
SLOT B**

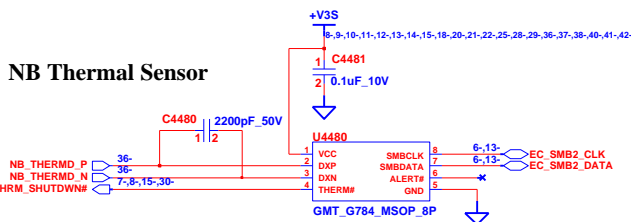
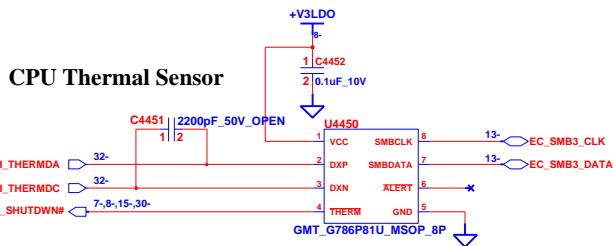
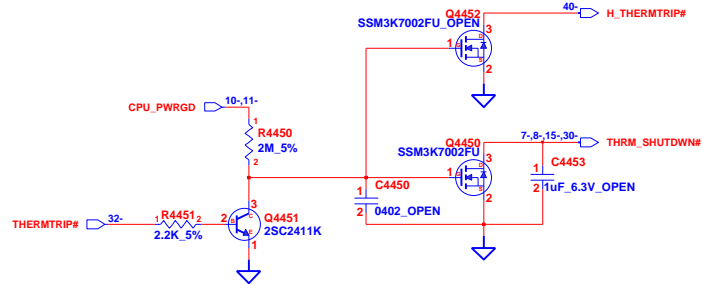
INVENTEC

TITLE
**Manaus10AD
DDR3 DIMM1**

SIZE	CODE	DOC NUMBER	REV
A3	CS	1310A2357401	X01

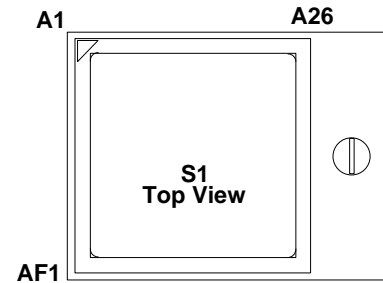
CHANGE by *Eddy, Chen* 11-Jan-2010

SHEET 29 OF 43

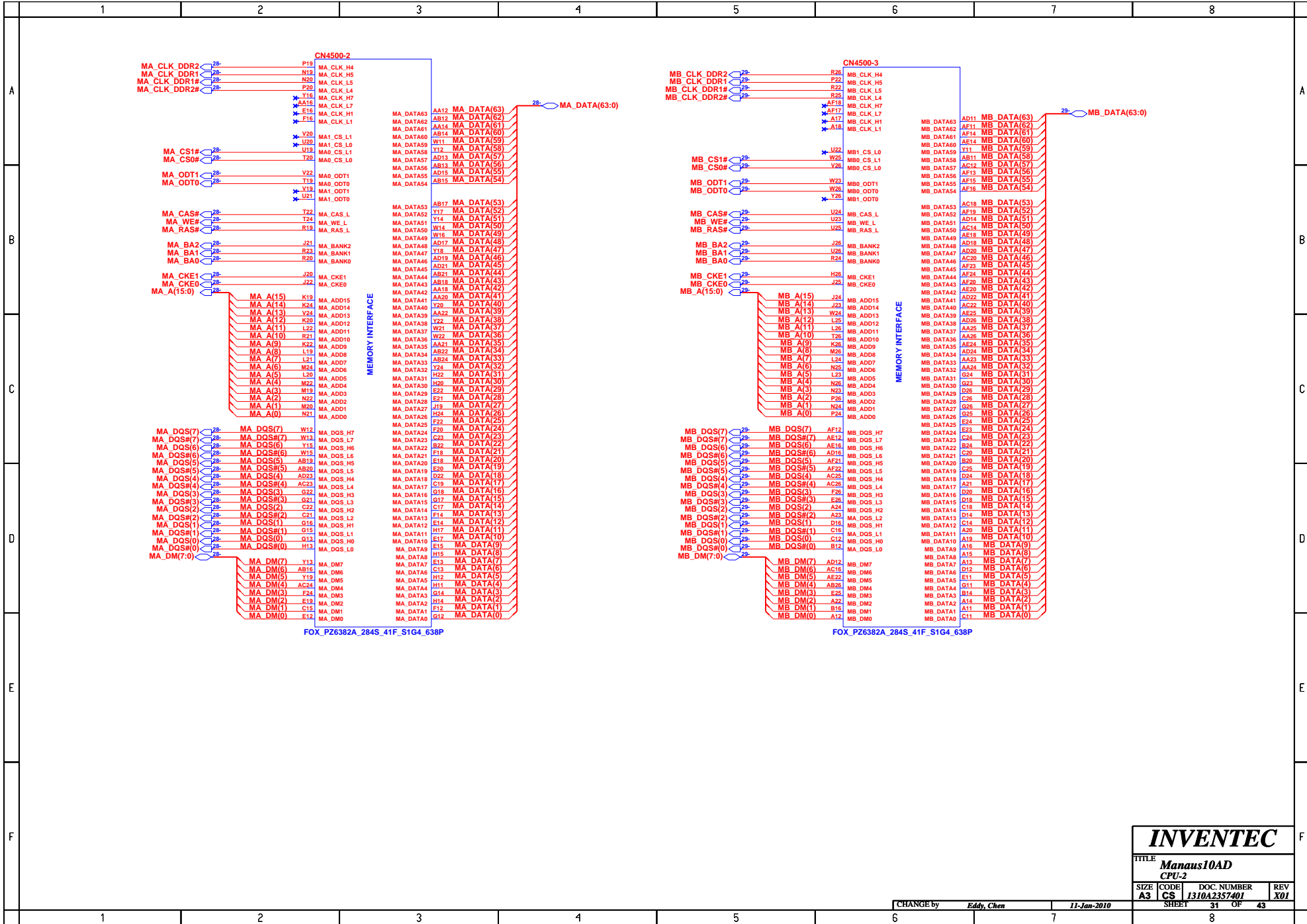


CN4500-1			
L0_CLKIN1	34	J6	L0_CLKIN_H1
L0_CLKIN1#	34	K5	L0_CLKIN_L1
L0_CLKIN0	34	J3	L0_CLKIN_H0
L0_CLKIN0#	34	J2	L0_CLKIN_L0
L0_CTLIN1	34	P3	L0_CTLIN_H1
L0_CTLIN1#	34	P4	L0_CTLIN_L1
L0_CTLIN0	34	M1	L0_CTLIN_H0
L0_CTLIN0#	34	P1	L0_CTLIN_L0
L0_CADIN15	34	N6	L0_CADIN_H15
L0_CADIN15#	34	P2	L0_CADIN_L15
L0_CADIN14	34	M3	L0_CADIN_H14
L0_CADIN14#	34	M4	L0_CADIN_L14
L0_CADIN13	34	L5	L0_CADIN_H13
L0_CADIN13#	34	M6	L0_CADIN_L13
L0_CADIN12	34	K3	L0_CADIN_H12
L0_CADIN12#	34	K4	L0_CADIN_L12
L0_CADIN11	34	H3	L0_CADIN_H11
L0_CADIN11#	34	H4	L0_CADIN_L11
L0_CADIN10	34	G5	L0_CADIN_H10
L0_CADIN10#	34	H5	L0_CADIN_L10
L0_CADIN9	34	F3	L0_CADIN_H9
L0_CADIN9#	34	F4	L0_CADIN_L9
L0_CADIN8	34	E5	L0_CADIN_H8
L0_CADIN8#	34	F5	L0_CADIN_L8
L0_CADIN7	34	N3	L0_CADIN_H7
L0_CADIN7#	34	N2	L0_CADIN_L7
L0_CADIN6	34	L1	L0_CADIN_H6
L0_CADIN6#	34	M1	L0_CADIN_L6
L0_CADIN5	34	L3	L0_CADIN_H5
L0_CADIN5#	34	L2	L0_CADIN_L5
L0_CADIN4	34	J1	L0_CADIN_H4
L0_CADIN4#	34	K1	L0_CADIN_L4
L0_CADIN3	34	G1	L0_CADIN_H3
L0_CADIN3#	34	H1	L0_CADIN_L3
L0_CADIN2	34	G3	L0_CADIN_H2
L0_CADIN2#	34	G2	L0_CADIN_L2
L0_CADIN1	34	E1	L0_CADIN_H1
L0_CADIN1#	34	F1	L0_CADIN_L1
L0_CADIN0	34	E3	L0_CADIN_H0
L0_CADIN0#	34	E2	L0_CADIN_L0
L0_CLKOUT1	34	Y4	L0_CLKOUT_H1
L0_CLKOUT1#	34	Y3	L0_CLKOUT_L1
L0_CLKOUT0	34	Y1	L0_CLKOUT_H0
L0_CLKOUT0#	34	Y1	L0_CLKOUT_L0
L0_CTLOUT1	34	T5	L0_CTLOUT_H1
L0_CTLOUT1#	34	R5	L0_CTLOUT_L1
L0_CTLOUT0	34	R2	L0_CTLOUT_H0
L0_CTLOUT0#	34	R3	L0_CTLOUT_L0
L0_CADOUT15	34	T4	L0_CADOUT_H15
L0_CADOUT15#	34	T3	L0_CADOUT_L15
L0_CADOUT14	34	U5	L0_CADOUT_H14
L0_CADOUT14#	34	U5	L0_CADOUT_L14
L0_CADOUT13	34	V4	L0_CADOUT_H13
L0_CADOUT13#	34	V4	L0_CADOUT_L13
L0_CADOUT12	34	V5	L0_CADOUT_H12
L0_CADOUT12#	34	V5	L0_CADOUT_L12
L0_CADOUT11	34	W5	L0_CADOUT_H11
L0_CADOUT11#	34	W5	L0_CADOUT_L11
L0_CADOUT10	34	AA5	L0_CADOUT_H10
L0_CADOUT10#	34	AA5	L0_CADOUT_L10
L0_CADOUT9	34	AB4	L0_CADOUT_H9
L0_CADOUT9#	34	AB4	L0_CADOUT_L9
L0_CADOUT8	34	AB3	L0_CADOUT_H8
L0_CADOUT8#	34	AD3	L0_CADOUT_L8
L0_CADOUT7	34	T1	L0_CADOUT_H7
L0_CADOUT7#	34	R1	L0_CADOUT_L7
L0_CADOUT6	34	U2	L0_CADOUT_H6
L0_CADOUT6#	34	U2	L0_CADOUT_L6
L0_CADOUT5	34	V1	L0_CADOUT_H5
L0_CADOUT5#	34	V1	L0_CADOUT_L5
L0_CADOUT4	34	W2	L0_CADOUT_H4
L0_CADOUT4#	34	W2	L0_CADOUT_L4
L0_CADOUT3	34	AA2	L0_CADOUT_H3
L0_CADOUT3#	34	AA2	L0_CADOUT_L3
L0_CADOUT2	34	AB1	L0_CADOUT_H2
L0_CADOUT2#	34	AA1	L0_CADOUT_L2
L0_CADOUT1	34	AC2	L0_CADOUT_H1
L0_CADOUT1#	34	AC2	L0_CADOUT_L1
L0_CADOUT0	34	AD1	L0_CADOUT_H0
L0_CADOUT0#	34	AC1	L0_CADOUT_L0

Layout: Add stitching caps if crossing plane split.



INVENTEC			
TITLE			
Manaus10AD			
CPU-1			
SIZE	CODE	DOC. NUMBER	REV
A3	CS	1310A2337401	X01
CHANGE by		Eddy, Chen	
11-Jan-2010		30 OF 43	



CN4500-2

MA_CLK_DDR2# 28- P15
 MA_CLK_DDR1# 28- N19
 MA_CLK_DDR1# 28- N20
 MA_CLK_DDR2# 28- P20
 MA_CLK_L4 28- P16
 MA_CLK_L7 28- P17
 MA_CLK_H1 28- E16
 MA_CLK_L1 28- P18
 MA1_CS_L0 28- V20
 MA1_CS_L0 28- U28
 MA1_CS_L0 28- U19
 MA0_CS_L0 28- T28
 MA0_CS_L0 28- V22
 MA0_ODT0 28- V19
 MA1_ODT1 28- U21
 MA1_ODT0 28- U21

MA_CAS# 28- T24
 MA_WE# 28- R19
 MA_RAS# 28- J21
 MA_BA2 28- R23
 MA_BA1 28- R20
 MA_BA0 28- R20
 MA_CKE1 28- J20
 MA_CKE0 28- J24
 MA_A(15:0) 28- J24

MA_ADD15 K19
 MA_ADD14 K24
 MA_ADD13 V24
 MA_ADD12 K26
 MA_ADD11 L22
 MA_ADD10 R21
 MA_ADD9 K24
 MA_ADD8 L19
 MA_ADD7 L21
 MA_ADD6 M24
 MA_ADD5 L20
 MA_ADD4 M22
 MA_ADD3 R19
 MA_ADD2 N22
 MA_ADD1 M20
 MA_ADD0 N21

MA_DQS(7) 28- MA_DQS(7) W12
 MA_DQS(6) 28- MA_DQS(6) W13
 MA_DQS(5) 28- MA_DQS(5) W15
 MA_DQS(4) 28- MA_DQS(4) W19
 MA_DQS(3) 28- MA_DQS(3) W18
 MA_DQS(2) 28- MA_DQS(2) W18
 MA_DQS(1) 28- MA_DQS(1) W18
 MA_DQS(0) 28- MA_DQS(0) W18
 MA_DM(7:0) 28- MA_DM(7:0) W18

MA_DQS_H7 MA_DQS_H7
 MA_DQS_L7 MA_DQS_L7
 MA_DQS_H6 MA_DQS_H6
 MA_DQS_L6 MA_DQS_L6
 MA_DQS_H5 MA_DQS_H5
 MA_DQS_L5 MA_DQS_L5
 MA_DQS_H4 MA_DQS_H4
 MA_DQS_L4 MA_DQS_L4
 MA_DQS_H3 MA_DQS_H3
 MA_DQS_L3 MA_DQS_L3
 MA_DQS_H2 MA_DQS_H2
 MA_DQS_L2 MA_DQS_L2
 MA_DQS_H1 MA_DQS_H1
 MA_DQS_L1 MA_DQS_L1
 MA_DQS_H0 MA_DQS_H0
 MA_DQS_L0 MA_DQS_L0

MA_DM7 MA_DM7
 MA_DM6 MA_DM6
 MA_DM5 MA_DM5
 MA_DM4 MA_DM4
 MA_DM3 MA_DM3
 MA_DM2 MA_DM2
 MA_DM1 MA_DM1
 MA_DM0 MA_DM0

MA_DATA63 AA12 MA_DATA(63)
 MA_DATA62 AB12 MA_DATA(62)
 MA_DATA61 AA14 MA_DATA(61)
 MA_DATA60 AB14 MA_DATA(60)
 MA_DATA59 W11 MA_DATA(59)
 MA_DATA58 Y12 MA_DATA(58)
 MA_DATA57 AB13 MA_DATA(57)
 MA_DATA56 AD15 MA_DATA(56)
 MA_DATA55 AB15 MA_DATA(55)
 MA_DATA54 AB15 MA_DATA(54)

MA_DATA53 AB17 MA_DATA(53)
 MA_DATA52 Y17 MA_DATA(52)
 MA_DATA51 Y14 MA_DATA(51)
 MA_DATA50 W14 MA_DATA(50)
 MA_DATA49 W16 MA_DATA(49)
 MA_DATA48 AD17 MA_DATA(48)
 MA_DATA47 Y18 MA_DATA(47)
 MA_DATA46 AD19 MA_DATA(46)
 MA_DATA45 AD21 MA_DATA(45)
 MA_DATA44 AB21 MA_DATA(44)
 MA_DATA43 AB18 MA_DATA(43)
 MA_DATA42 AA18 MA_DATA(42)
 MA_DATA41 AA20 MA_DATA(41)
 MA_DATA40 Y20 MA_DATA(40)
 MA_DATA39 AA22 MA_DATA(39)
 MA_DATA38 Y22 MA_DATA(38)
 MA_DATA37 W21 MA_DATA(37)
 MA_DATA36 W22 MA_DATA(36)
 MA_DATA35 AA21 MA_DATA(35)
 MA_DATA34 AB22 MA_DATA(34)
 MA_DATA33 AB24 MA_DATA(33)
 MA_DATA32 H22 MA_DATA(32)
 MA_DATA31 H20 MA_DATA(31)
 MA_DATA30 E22 MA_DATA(30)
 MA_DATA29 E21 MA_DATA(29)
 MA_DATA28 J19 MA_DATA(28)
 MA_DATA27 H24 MA_DATA(27)
 MA_DATA26 H24 MA_DATA(26)
 MA_DATA25 F22 MA_DATA(25)
 MA_DATA24 E20 MA_DATA(24)
 MA_DATA23 C23 MA_DATA(23)
 MA_DATA22 B22 MA_DATA(22)
 MA_DATA21 F18 MA_DATA(21)
 MA_DATA20 E18 MA_DATA(20)
 MA_DATA19 E20 MA_DATA(19)
 MA_DATA18 D22 MA_DATA(18)
 MA_DATA17 C19 MA_DATA(17)
 MA_DATA16 G18 MA_DATA(16)
 MA_DATA15 G17 MA_DATA(15)
 MA_DATA14 C17 MA_DATA(14)
 MA_DATA13 F14 MA_DATA(13)
 MA_DATA12 E14 MA_DATA(12)
 MA_DATA11 H17 MA_DATA(11)
 MA_DATA10 E17 MA_DATA(10)
 MA_DATA9 E15 MA_DATA(9)
 MA_DATA8 H15 MA_DATA(8)
 MA_DATA7 G13 MA_DATA(7)
 MA_DATA6 H12 MA_DATA(6)
 MA_DATA5 H11 MA_DATA(5)
 MA_DATA4 H11 MA_DATA(4)
 MA_DATA3 G14 MA_DATA(3)
 MA_DATA2 H14 MA_DATA(2)
 MA_DATA1 F12 MA_DATA(1)
 MA_DATA0 G12 MA_DATA(0)

CN4500-3

MB_CLK_DDR2# 28- R26
 MB_CLK_DDR1# 28- P22
 MB_CLK_DDR1# 28- R22
 MB_CLK_DDR2# 28- P22
 MB_CLK_L4 28- R26
 MB_CLK_L7 28- AF18
 MB_CLK_H1 28- AF17
 MB_CLK_L1 28- AF18

MB1_CS_L0 28- U22
 MB0_CS_L1 28- V25
 MB0_CS_L0 28- V26
 MB0_ODT1 28- W23
 MB0_ODT0 28- Y26
 MB1_ODT0 28- Y26

MB_CAS# 28- U24
 MB_WE# 28- U23
 MB_RAS# 28- U25

MB_BA2 28- J26
 MB_BA1 28- J26
 MB_BA0 28- R24

MB_CKE1 28- H26
 MB_CKE0 28- J26

MB_A(15:0) 28- J26

MB_ADD15 J24
 MB_ADD14 J23
 MB_ADD13 W24
 MB_ADD12 L25
 MB_ADD11 L26
 MB_ADD10 L26
 MB_ADD9 K26
 MB_ADD8 M26
 MB_ADD7 L24
 MB_ADD6 N26
 MB_ADD5 N25
 MB_ADD4 N26
 MB_ADD3 N23
 MB_ADD2 P26
 MB_ADD1 N24
 MB_ADD0 P24

MB_DQS(7) 28- MB_DQS(7) AF12
 MB_DQS(6) 28- MB_DQS(6) AE12
 MB_DQS(5) 28- MB_DQS(5) AF21
 MB_DQS(4) 28- MB_DQS(4) AC25
 MB_DQS(3) 28- MB_DQS(3) F26
 MB_DQS(2) 28- MB_DQS(2) A24
 MB_DQS(1) 28- MB_DQS(1) D16
 MB_DQS(0) 28- MB_DQS(0) C12
 MB_DM(7:0) 28- MB_DM(7:0) AD12

MB_DQS_H7 MB_DQS_H7
 MB_DQS_L7 MB_DQS_L7
 MB_DQS_H6 MB_DQS_H6
 MB_DQS_L6 MB_DQS_L6
 MB_DQS_H5 MB_DQS_H5
 MB_DQS_L5 MB_DQS_L5
 MB_DQS_H4 MB_DQS_H4
 MB_DQS_L4 MB_DQS_L4
 MB_DQS_H3 MB_DQS_H3
 MB_DQS_L3 MB_DQS_L3
 MB_DQS_H2 MB_DQS_H2
 MB_DQS_L2 MB_DQS_L2
 MB_DQS_H1 MB_DQS_H1
 MB_DQS_L1 MB_DQS_L1
 MB_DQS_H0 MB_DQS_H0
 MB_DQS_L0 MB_DQS_L0

MB_DM7 MB_DM7
 MB_DM6 MB_DM6
 MB_DM5 MB_DM5
 MB_DM4 MB_DM4
 MB_DM3 MB_DM3
 MB_DM2 MB_DM2
 MB_DM1 MB_DM1
 MB_DM0 MB_DM0

MB_DATA63 AD11 MB_DATA(63)
 MB_DATA62 AE11 MB_DATA(62)
 MB_DATA61 AF14 MB_DATA(61)
 MB_DATA60 AE14 MB_DATA(60)
 MB_DATA59 Y11 MB_DATA(59)
 MB_DATA58 AB11 MB_DATA(58)
 MB_DATA57 AC12 MB_DATA(57)
 MB_DATA56 AF13 MB_DATA(56)
 MB_DATA55 AF15 MB_DATA(55)
 MB_DATA54 AF16 MB_DATA(54)

MB_DATA53 AC18 MB_DATA(53)
 MB_DATA52 AF19 MB_DATA(52)
 MB_DATA51 AD14 MB_DATA(51)
 MB_DATA50 AC14 MB_DATA(50)
 MB_DATA49 AE18 MB_DATA(49)
 MB_DATA48 AD20 MB_DATA(48)
 MB_DATA47 AC20 MB_DATA(47)
 MB_DATA46 AF23 MB_DATA(46)
 MB_DATA45 AF24 MB_DATA(45)
 MB_DATA44 AF24 MB_DATA(44)
 MB_DATA43 AE20 MB_DATA(43)
 MB_DATA42 AE20 MB_DATA(42)
 MB_DATA41 AD22 MB_DATA(41)
 MB_DATA40 AC22 MB_DATA(40)
 MB_DATA39 AE25 MB_DATA(39)
 MB_DATA38 AD26 MB_DATA(38)
 MB_DATA37 AA26 MB_DATA(37)
 MB_DATA36 AE24 MB_DATA(36)
 MB_DATA35 AA24 MB_DATA(35)
 MB_DATA34 AD24 MB_DATA(34)
 MB_DATA33 AA23 MB_DATA(33)
 MB_DATA32 G24 MB_DATA(32)
 MB_DATA31 G23 MB_DATA(31)
 MB_DATA30 G26 MB_DATA(30)
 MB_DATA29 C26 MB_DATA(29)
 MB_DATA28 G26 MB_DATA(28)
 MB_DATA27 G25 MB_DATA(27)
 MB_DATA26 E24 MB_DATA(26)
 MB_DATA25 E23 MB_DATA(25)
 MB_DATA24 C24 MB_DATA(24)
 MB_DATA23 B24 MB_DATA(23)
 MB_DATA22 B24 MB_DATA(22)
 MB_DATA21 C20 MB_DATA(21)
 MB_DATA20 B20 MB_DATA(20)
 MB_DATA19 C26 MB_DATA(19)
 MB_DATA18 D24 MB_DATA(18)
 MB_DATA17 A21 MB_DATA(17)
 MB_DATA16 D20 MB_DATA(16)
 MB_DATA15 D18 MB_DATA(15)
 MB_DATA14 C18 MB_DATA(14)
 MB_DATA13 D14 MB_DATA(13)
 MB_DATA12 C14 MB_DATA(12)
 MB_DATA11 A20 MB_DATA(11)
 MB_DATA10 A19 MB_DATA(10)
 MB_DATA9 A16 MB_DATA(9)
 MB_DATA8 A15 MB_DATA(8)
 MB_DATA7 A13 MB_DATA(7)
 MB_DATA6 D12 MB_DATA(6)
 MB_DATA5 E11 MB_DATA(5)
 MB_DATA4 G11 MB_DATA(4)
 MB_DATA3 B14 MB_DATA(3)
 MB_DATA2 A14 MB_DATA(2)
 MB_DATA1 A11 MB_DATA(1)
 MB_DATA0 C11 MB_DATA(0)

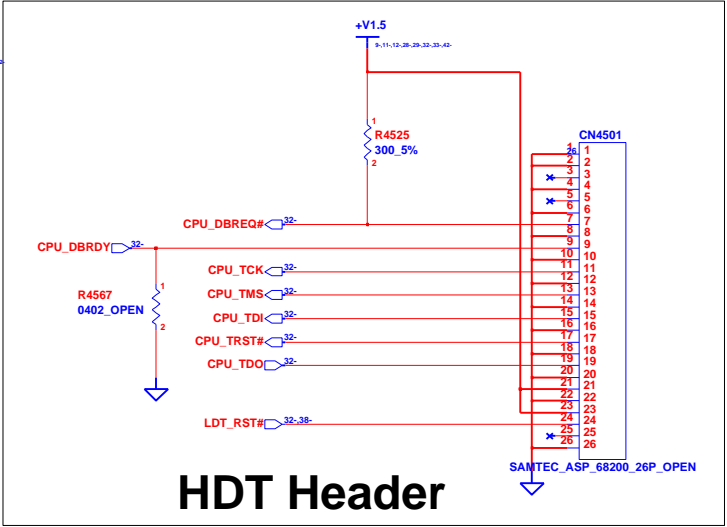
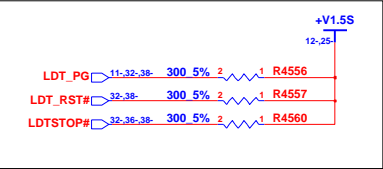
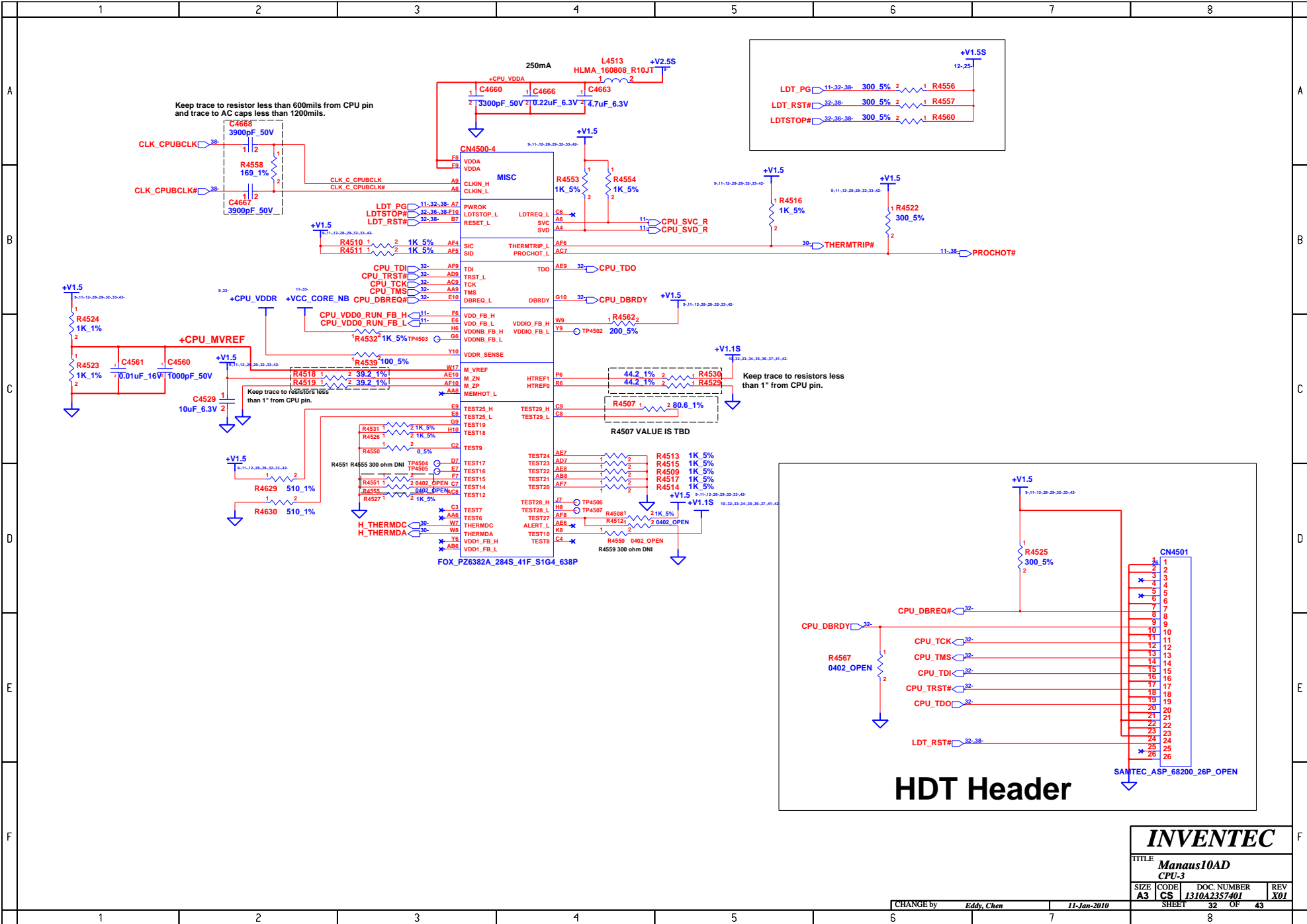
MEMORY INTERFACE

MEMORY INTERFACE

FOX_P26382A_284S_41F_S1G4_638P

FOX_P26382A_284S_41F_S1G4_638P

INVENTEC			
TITLE Manaus10AD CPU-2			
SIZE A3	CODE CS	DOC. NUMBER 1310A2337401	REV X01
CHANGE by <i>Eddy, Chen</i>		11-Jan-2010	
SHEET 31		OF 43	



INVENTEC

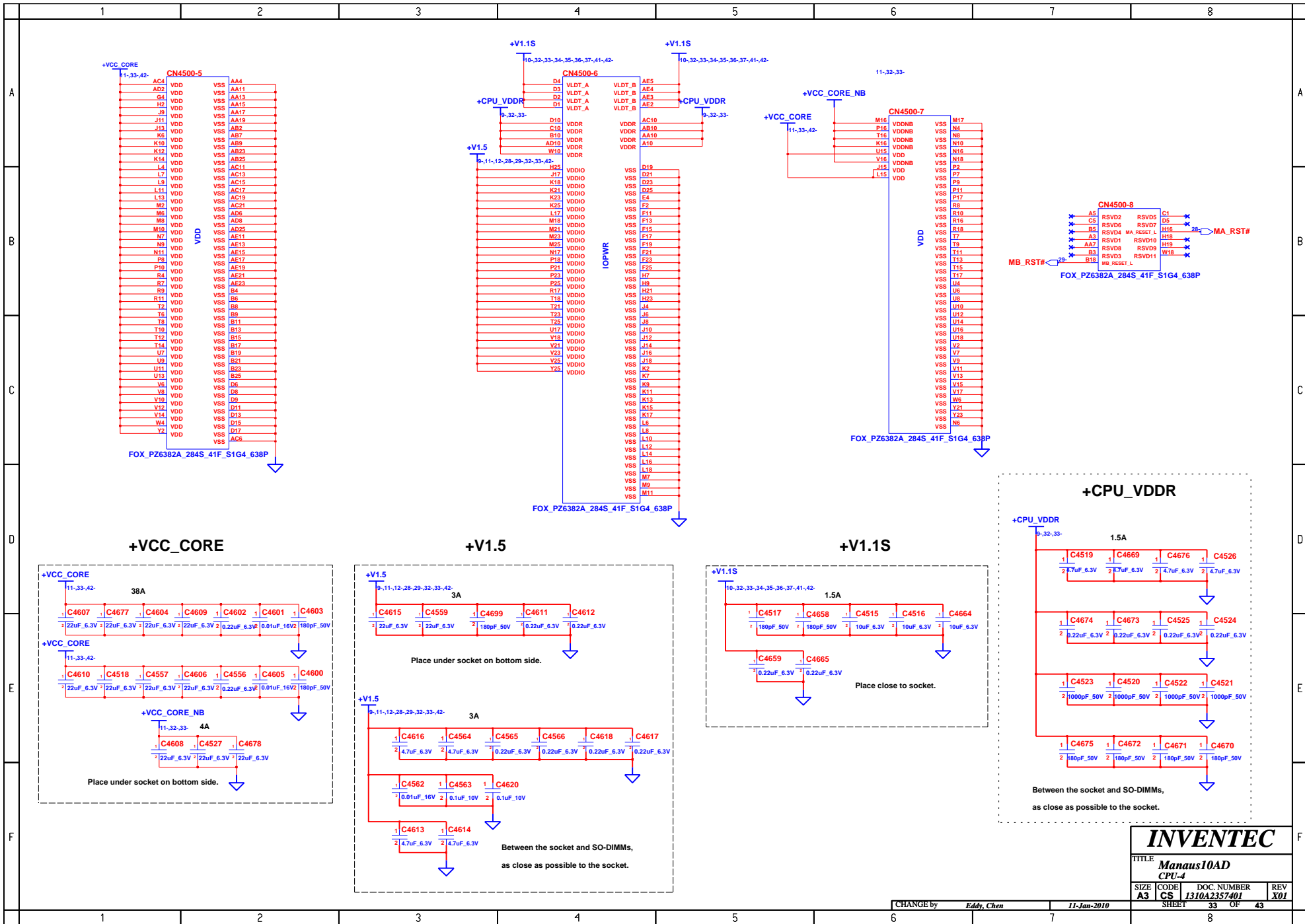
TITLE
Manaus10AD
 CPU-3

SIZE	CODE	DOC. NUMBER	REV
A3	CS	1310A2337401	X01

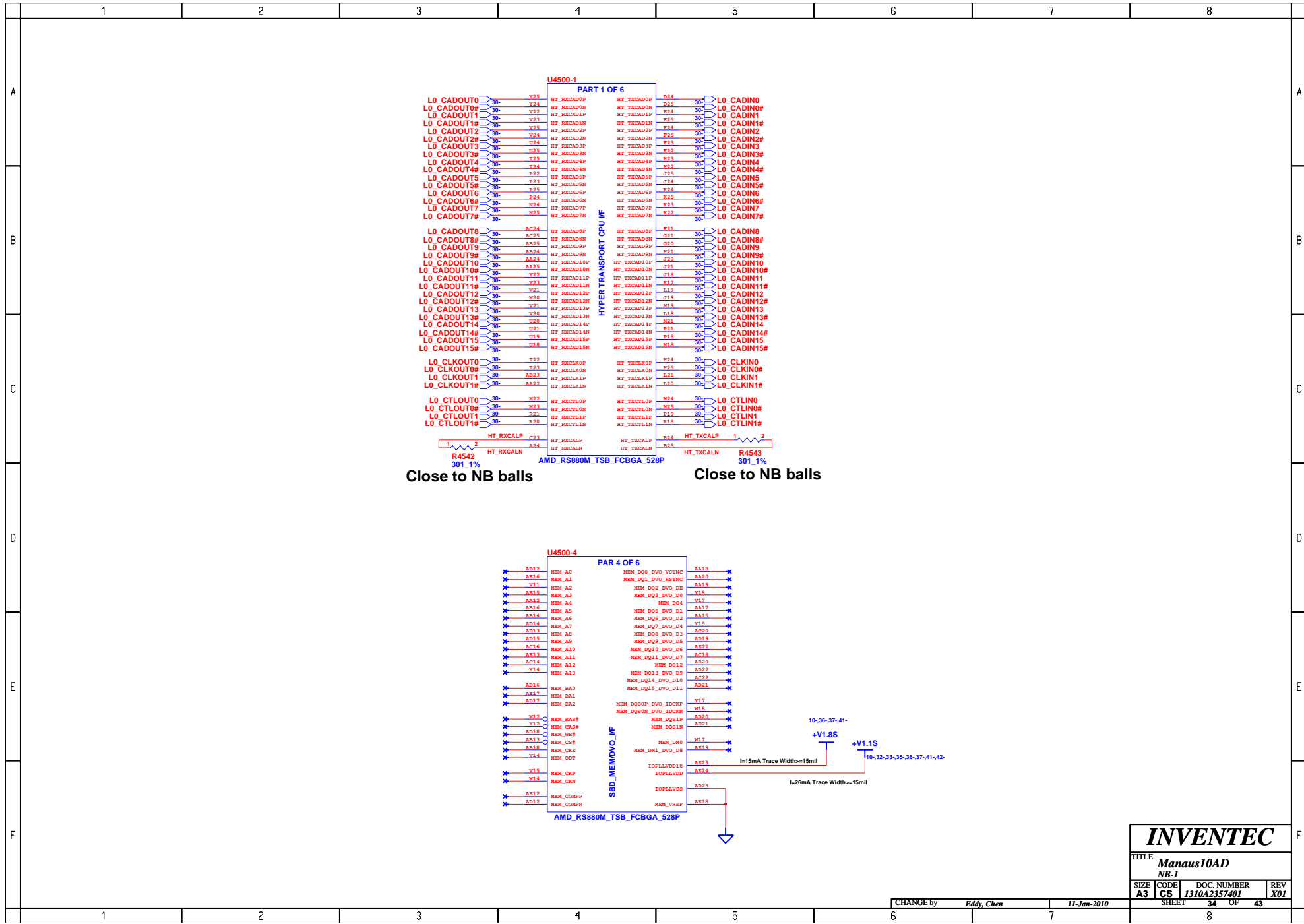
CHANGE by Eddy, Chen

11-Jan-2010

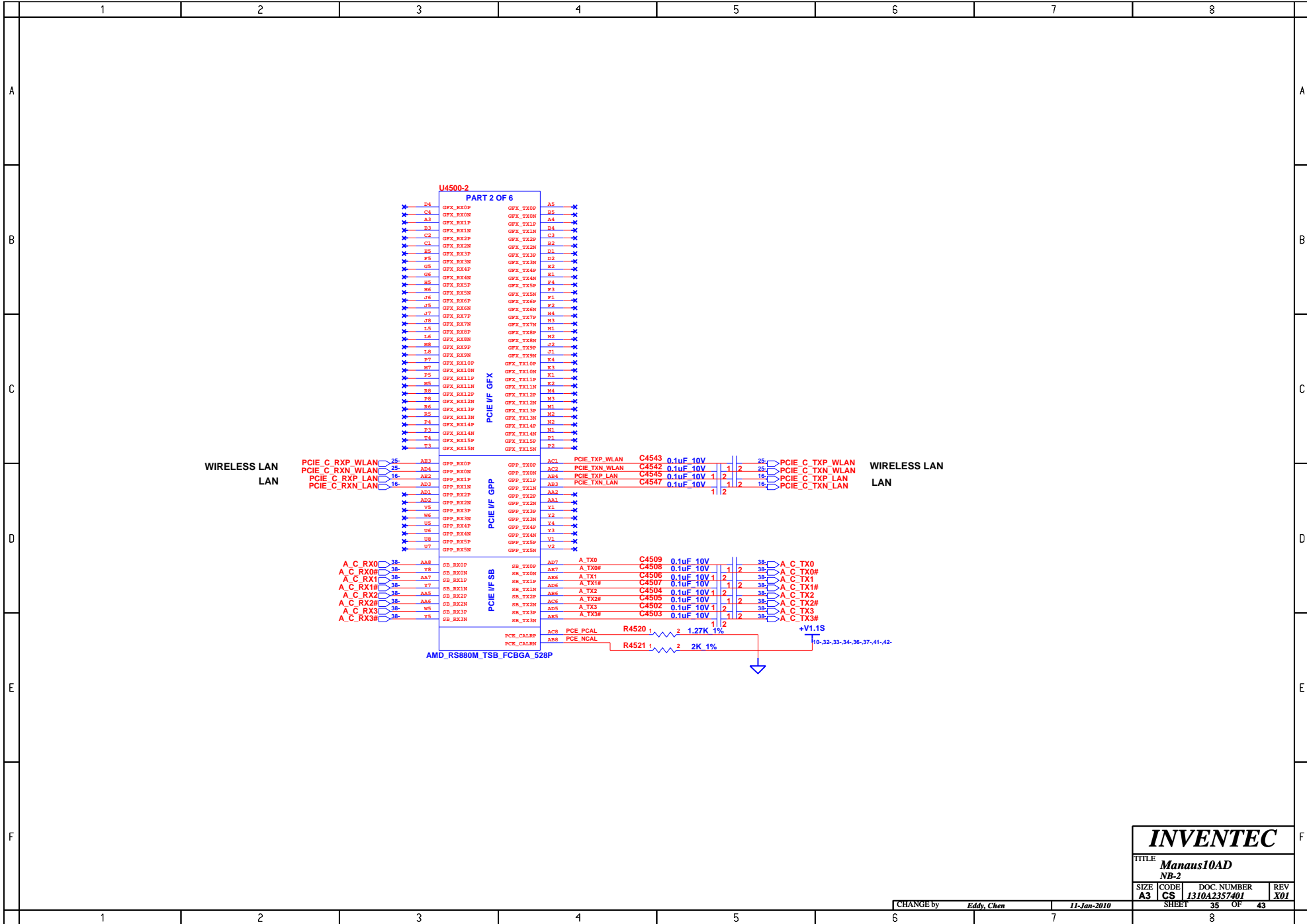
SHEET 32 OF 43



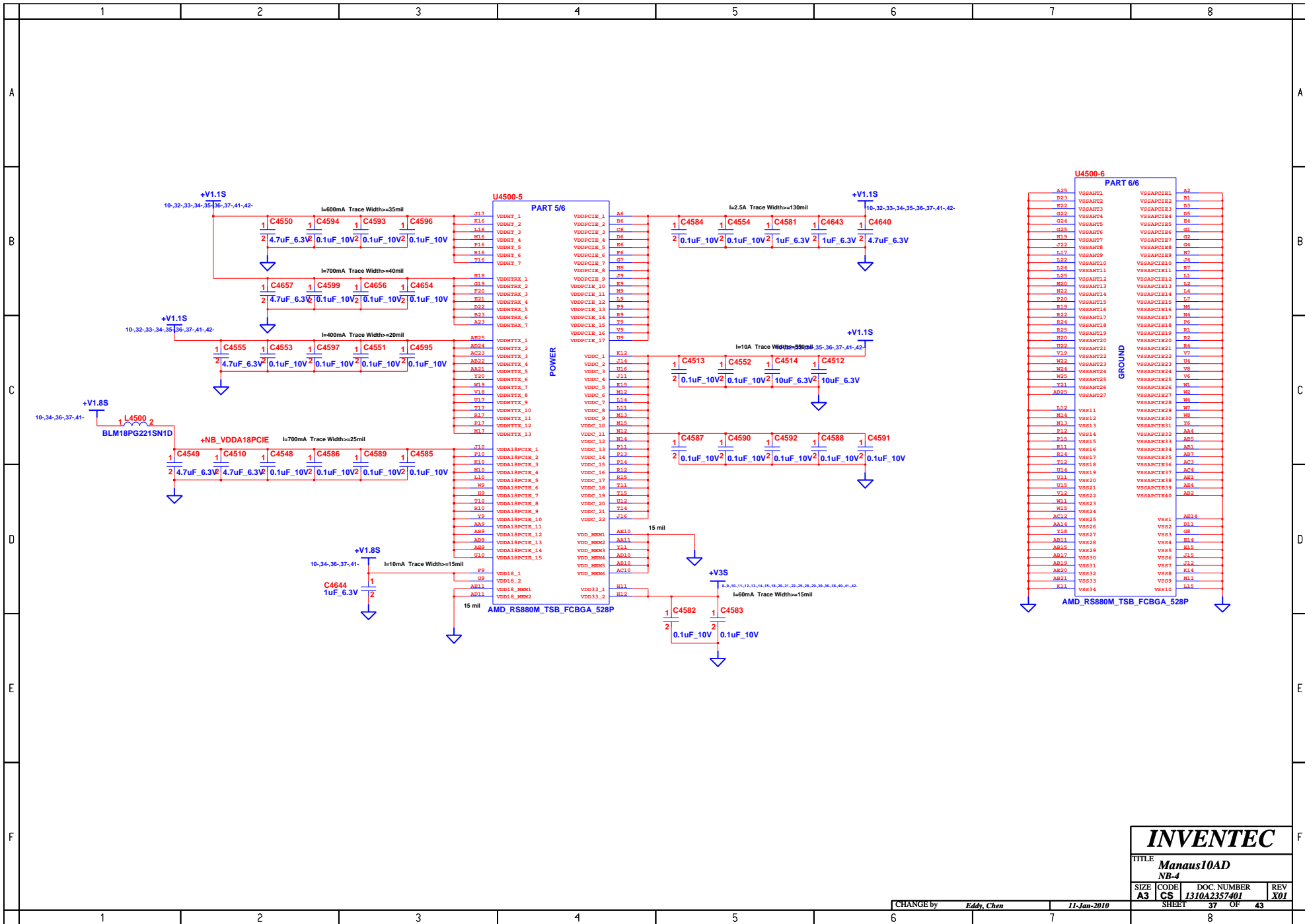
INVENTEC			
TITLE Manaus10AD			
CPU-4			
SIZE A3	CODE CS	DOC. NUMBER 1310A2357401	REV X01
CHANGE by <i>Eddy, Chen</i>		11-Jan-2010	
SHEET 33		OF 43	

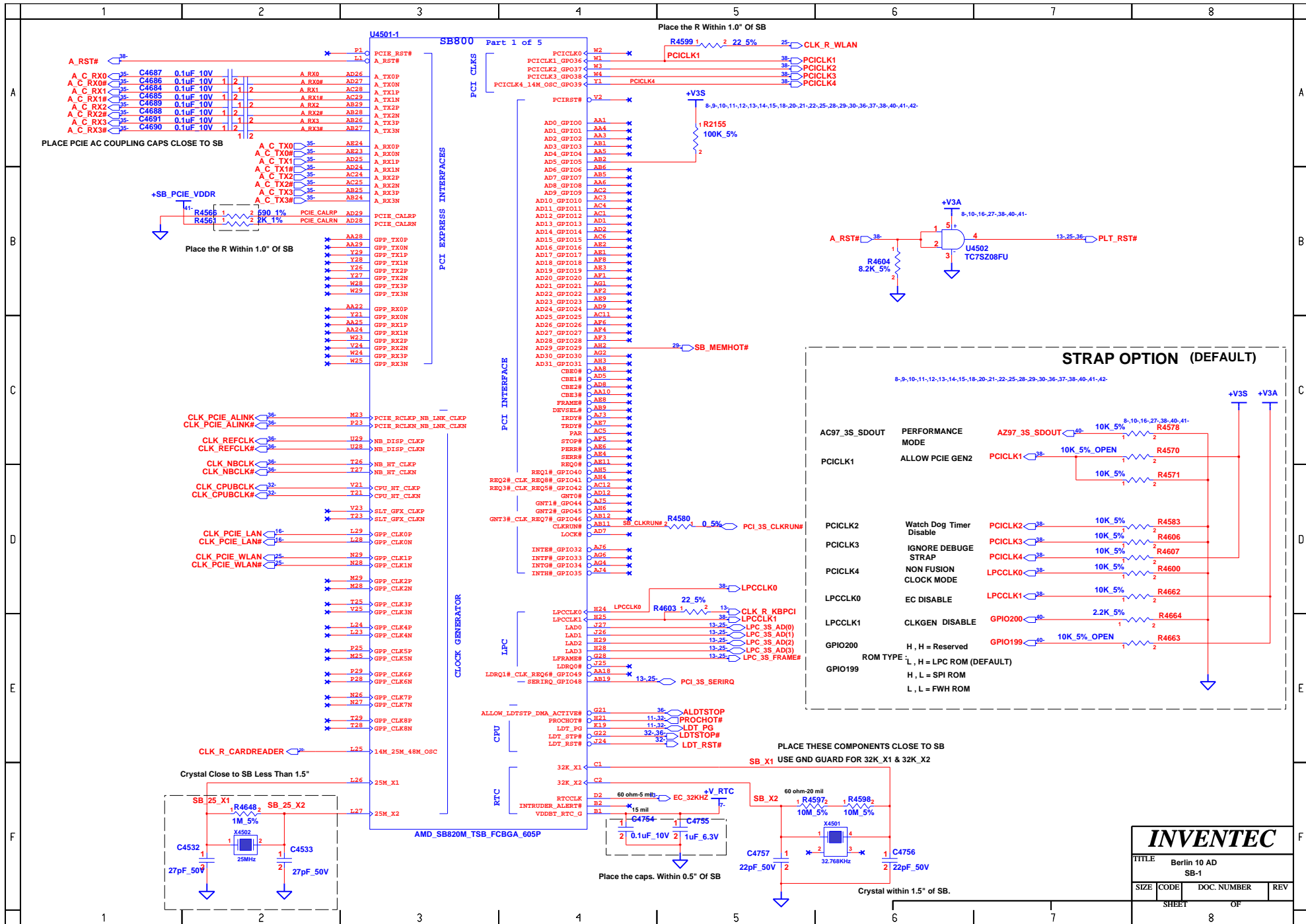


INVENTEC			
TITLE Manaus10AD			
NB-1			
SIZE A3	CODE CS	DOC. NUMBER 1310A2357401	REV X01
CHANGE by <i>Eddy, Chen</i>		11-Jan-2010	
SHEET 34		OF 43	

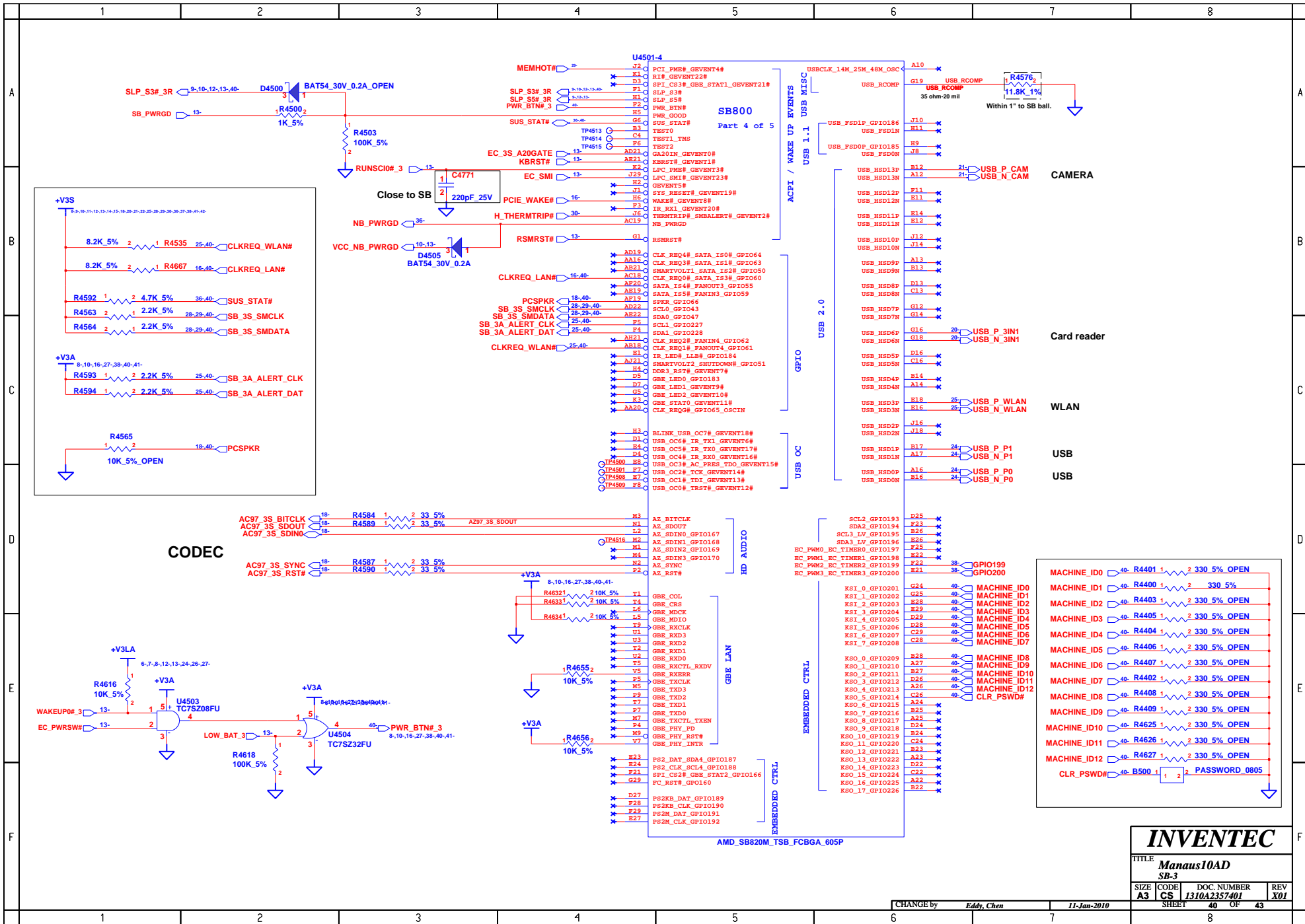


INVENTEC				
TITLE Manaus10AD				
NB-2				
SIZE	CODE	DOC. NUMBER	REV	
A3	CS	1310A2357401	X01	
CHANGE by		Eddy, Chen		11-Jan-2010
SHEET		35		OF 43

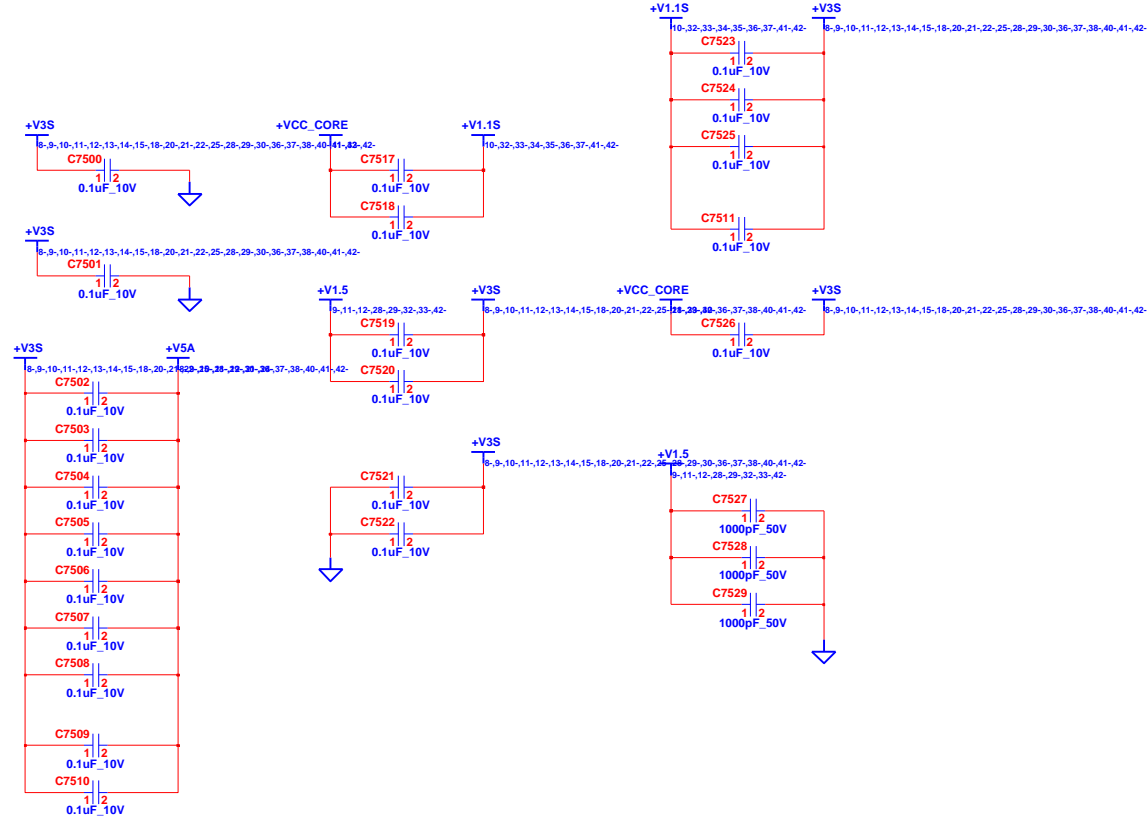




INVENTEC			
TITLE Berlin 10 AD			
SB-1			
SIZE	CODE	DOC. NUMBER	REV
SHEET		OF	
8		8	



EMI



INVENTEC

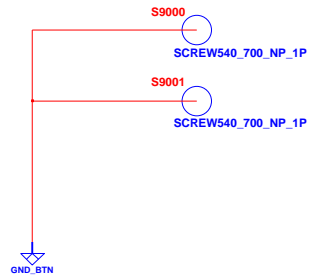
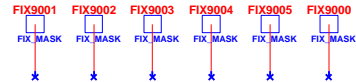
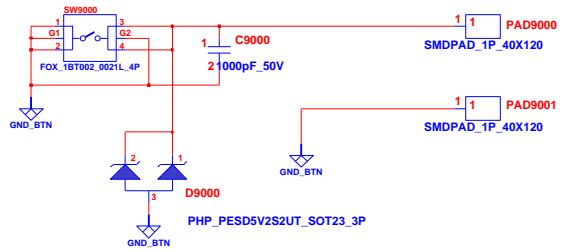
TITLE
Manaus10AD
EMI

SIZE A3	CODE CS	DOC NUMBER 1310A2357401	REV X01
-------------------	-------------------	-----------------------------------	-------------------

CHANGE by *Eddy, Chen* 11-Jan-2010

SHEET 42 OF 43

POWER BUTTON



INVENTEC			
TITLE Manaus10AD Pick Button Board			
SIZE A3	CODE CS	DOC. NUMBER 1310A2357401	REV X01
CHANGE by <i>Eddy, Chen</i>		16-Mar-2010	
SHEET		43	OF 43