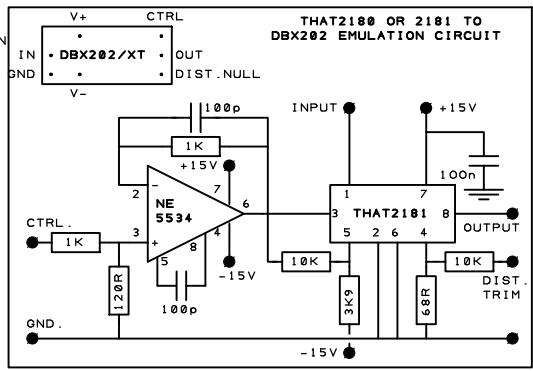


Gyraf Audio
 Rev no # 9 | Date 06-2013
 Subject
 SSL MIXBUS COMPRESSOR CLONE
 Filename: SSL.SCH
 Edited | Date

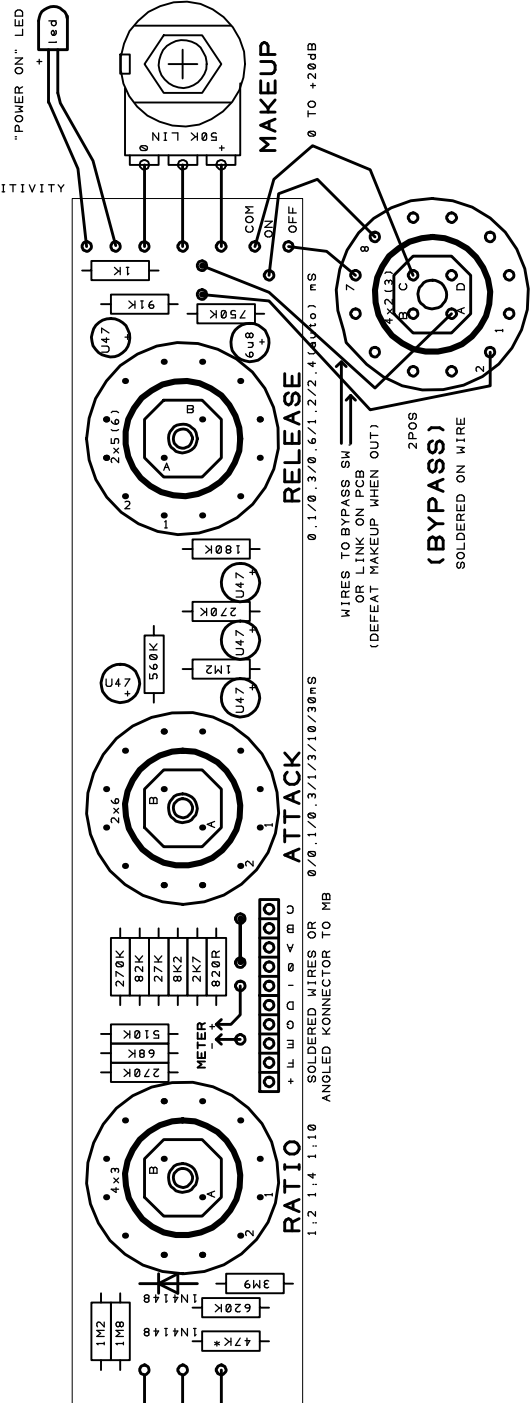
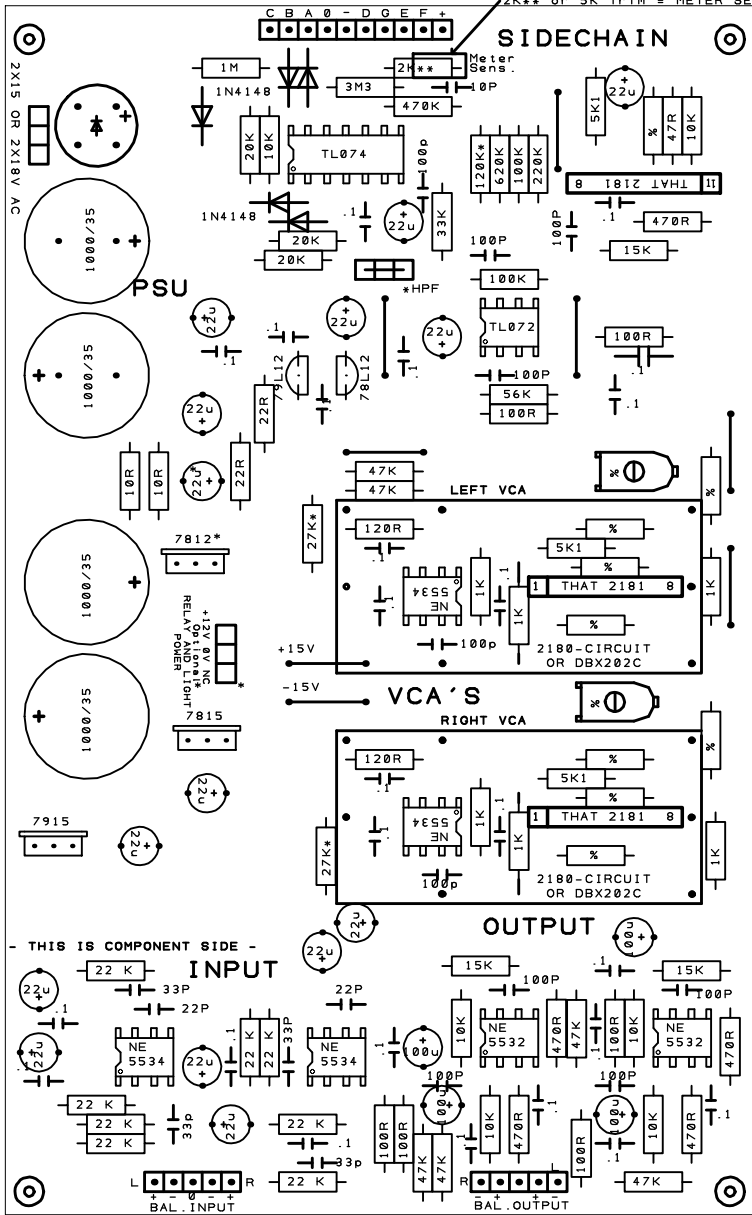
POTS: A=LIN, B=LOG
 ● "X" DENOTES PCB CONNECTION
 120K+: Use 100K for DBX2150 VCA
 FOR THAT2181 VCA'S. DISCONNECT PIN4
 (C)Gyraf Audio 1995-2013



1111 MANGLER 22R->LUS V. -15V!!!

TO PANEL MOUNTED CONTROL SECTION: SSLK.PCB

2K** or 5K Trim = METER SENSITIVITY



** = METER SENSITIVITY: 2K=20dB 1K=10dB FULL SCALE AT 1mA METER

ALL DIODES 1N4148 .1 = 100nF POLY

GYRAF AUDIO www.gyraf.dk	
Rev no#	11 Date 01-2013
Subject: SSL MIXBUS COMPRESSOR CLONE CONTROL SECT: SSLK.PCB	
Filename:	SSL.PCB
Size: 100x160mm	Mount: 93x152mm

47K* (CONTROL BOARD) USE FOR REDUCING THRESHOLD SENS.
100R* OUTPUT RESISTOR. MAY BE SMALLER WITH OUTPUT TX
27K* CHANGED FROM 15K TO 27K - UNITY GAIN

REVISION HISTORY / FIXED.
REV#5: L IN + SHORTED TO GND
REV#6: 220V TRAF0: FARNELL 976-635 OR RS 209-538
REV#7: CAP VALUES AT TL074 PADS W14+94
REV#8: PAD/TRACK SPACING A/R spacing
REV#9 CHANGED TO THAT2181 VCA'S - UNITY GAIN 27K'S
(COMPONENT OVERLAY CHANGES ONLY)
REV#10: 12V reg after 15V reg
REV#11: CRC and HPF. 3K9>5K1 100K>120K +2x22R +2x1000uF +7812+22u
REV#12 Minor change - track at 22R/-15V

MAIN PCB

CONTROL PCB

THRESHOLD
-20 TO +20dB

RATIO
1:2 1:4 1:10
SOLDERED WIRES OR ANGLD KONEKTOR TO MB

ATTACK
0/0.1/0.3/1/3/10/30ms

RELEASE
0.1/0.3/0.6/1.2/2.4/4.8/10ms

MAKEUP
0 TO +20dB

